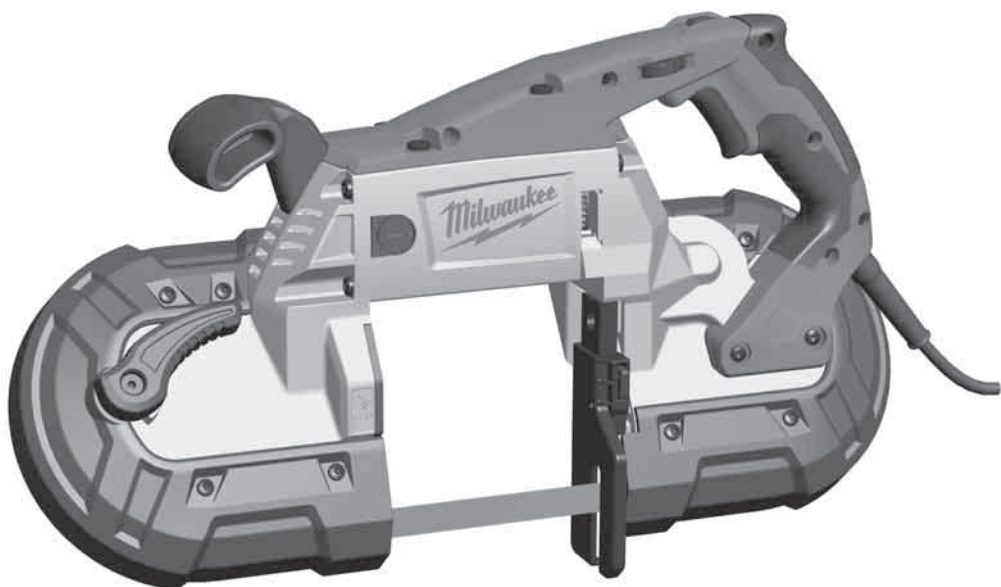


Milwaukee®

Nothing but **HEAVY DUTY**®



BS 125

Original instructions
Originalbetriebsanleitung
Notice originale
Istruzioni originali
Manual original
Oorspronkelijke
gebruiksaanwijzing
Original brugsanvisning
Original bruksanvisning
Bruksanvisning i original
Alkuperäiset ohjeet

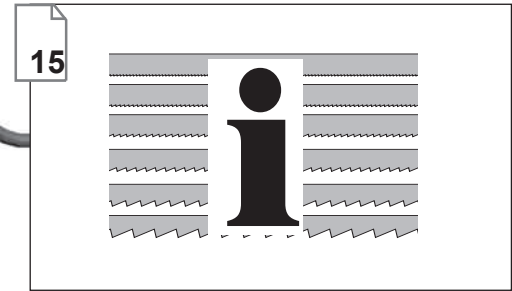
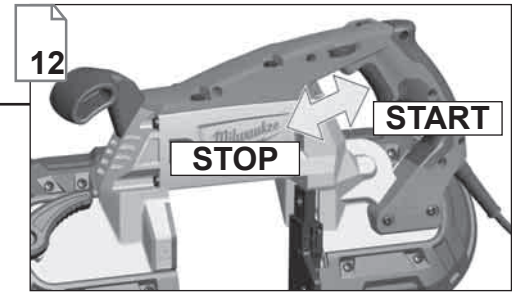
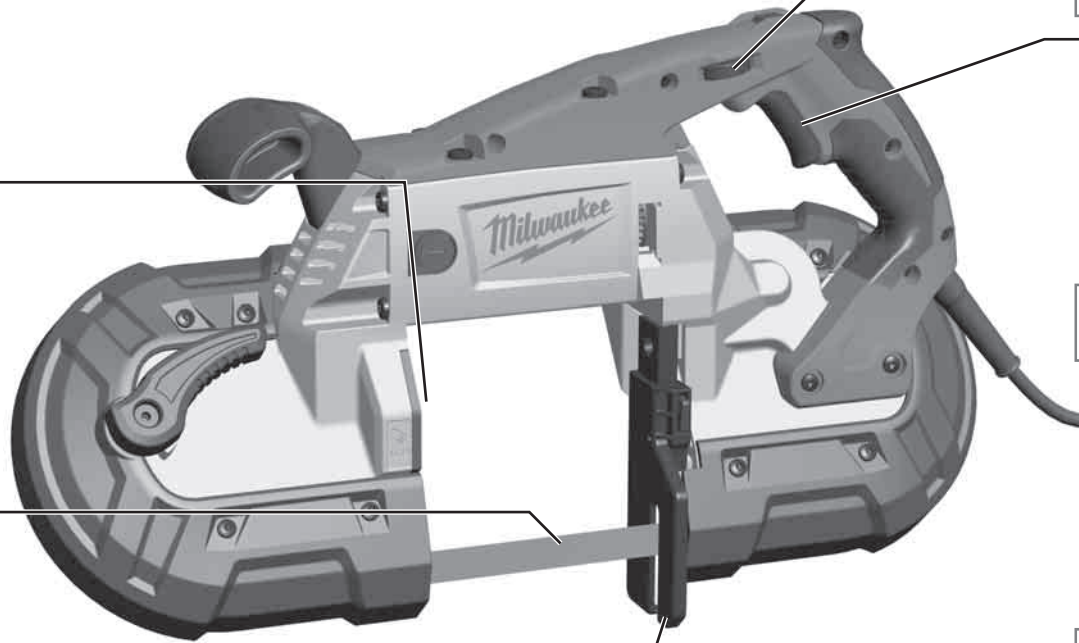
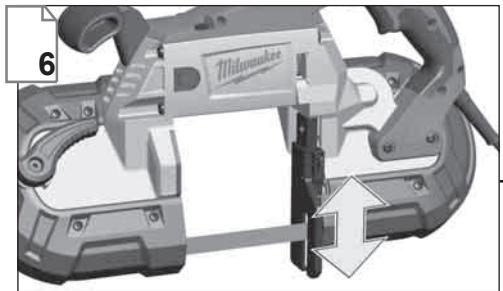
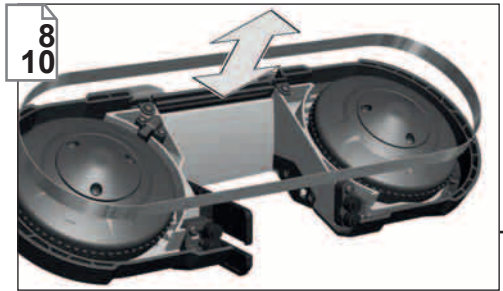
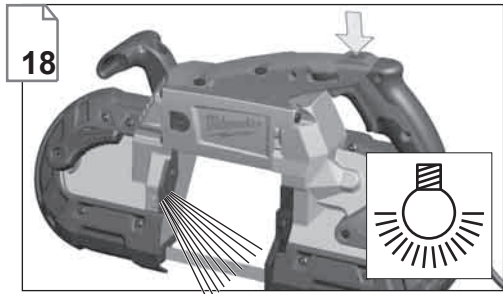
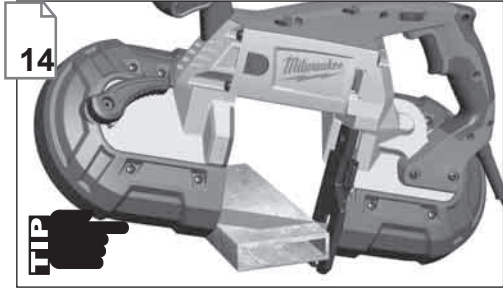
Πρωτότυπο οδηγίων χρήσης
Orijinal işletme talimatı
Původním návodem k
používání
Pôvodný návod na použitie
Instrukcją oryginalną
Eredeti használati utasítás
Izvirna navodila
Originalne pogonske upute
Instrukcijām oriģinālvadōdā
Originali instrukcija

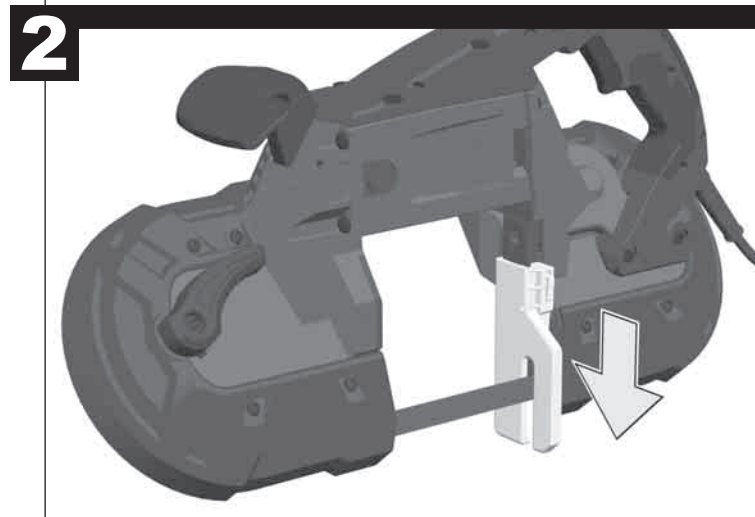
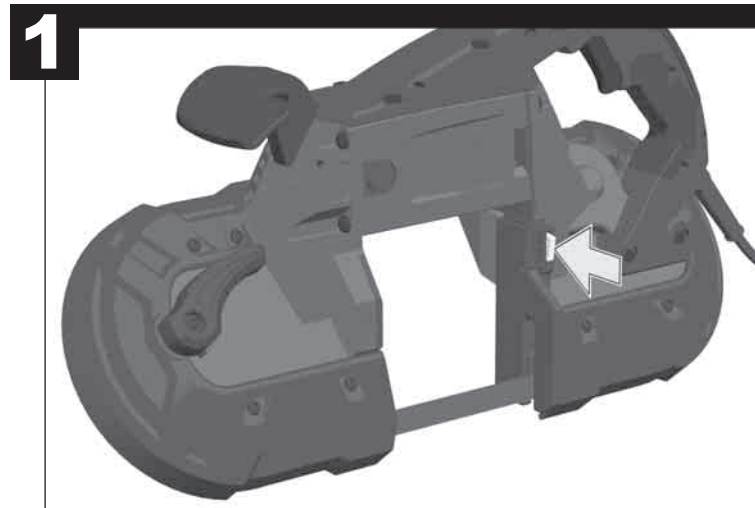
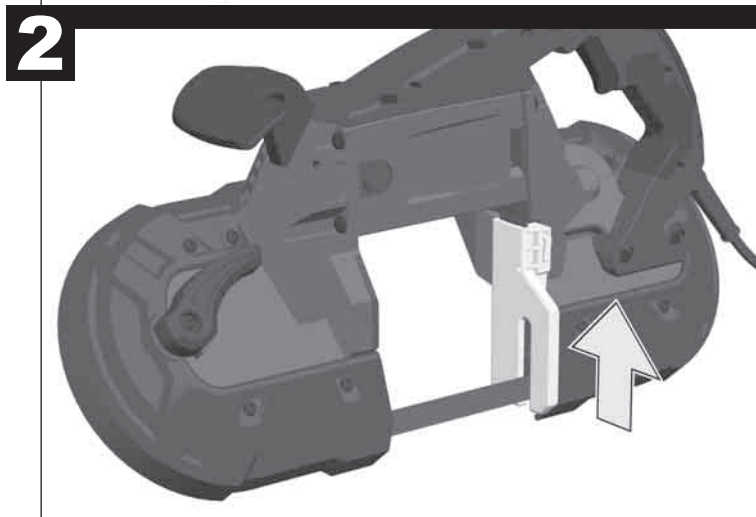
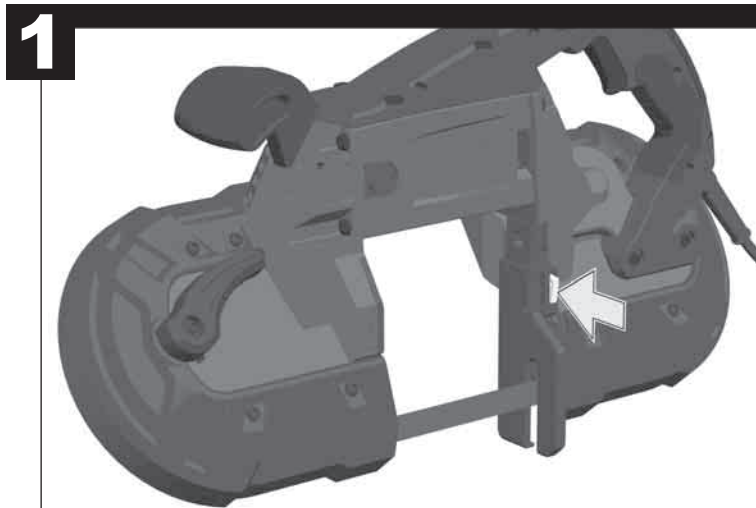
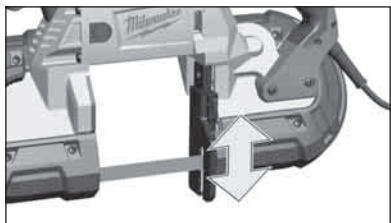
Algupärane kasutusjuhend
Оригинальное руководство
по эксплуатации
Оригинално ръководство за
експлоатация
Instrucțiuni de folosire
originale
Оригинален прирачник за
работа
Оригінал інструкції з
експлуатації

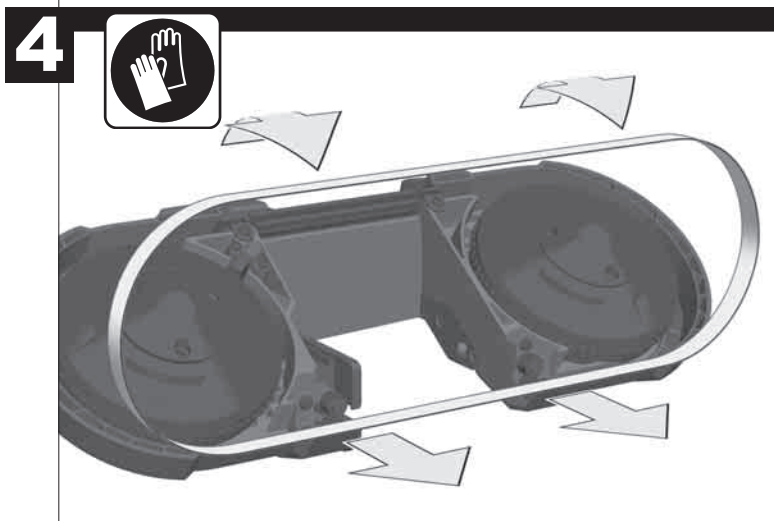
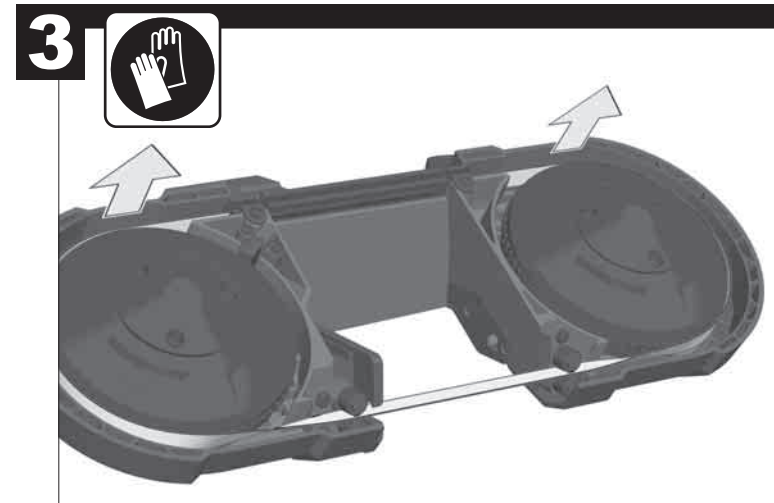
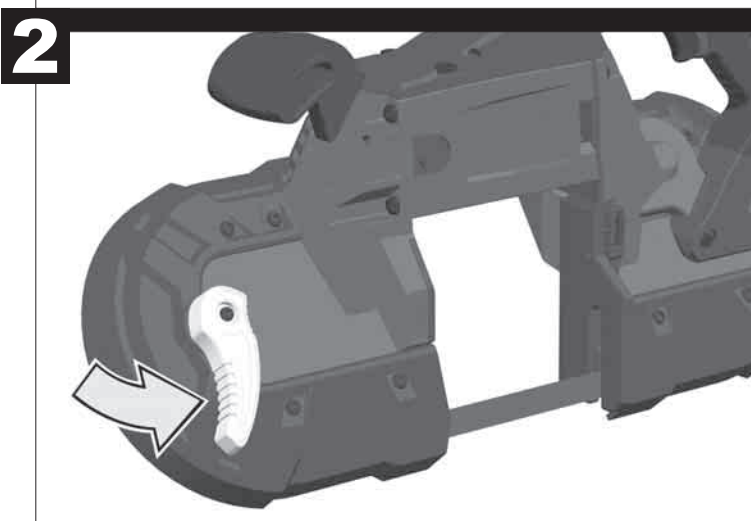
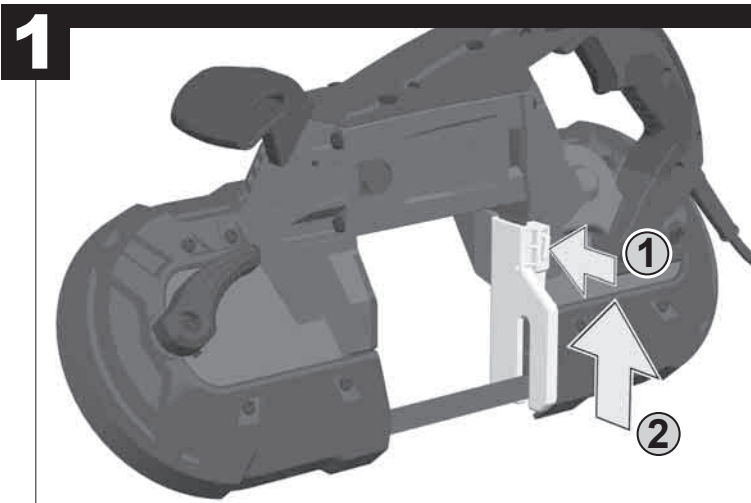
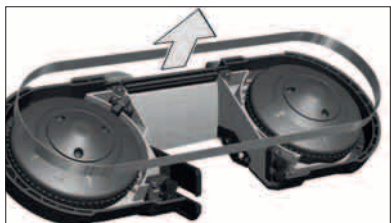
التعليمات الأصلية

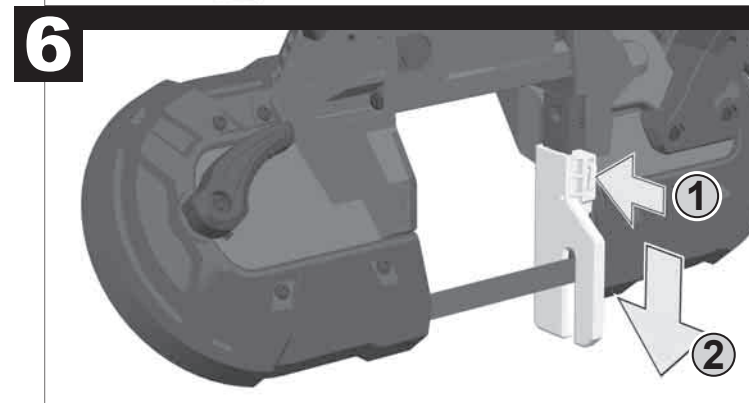
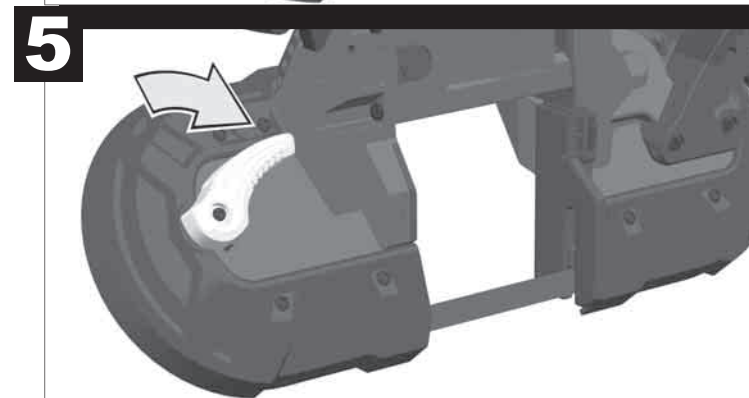
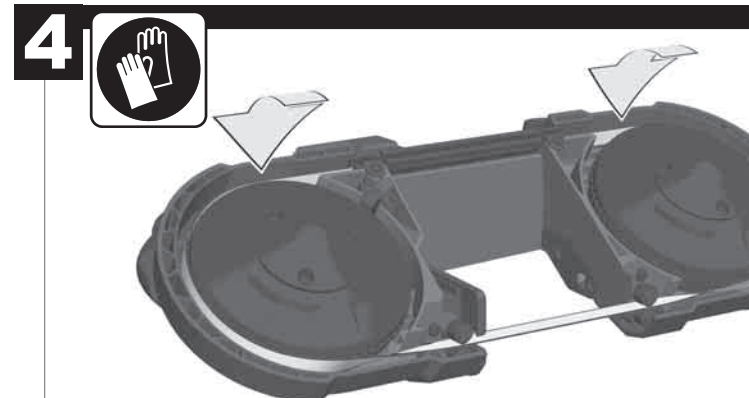
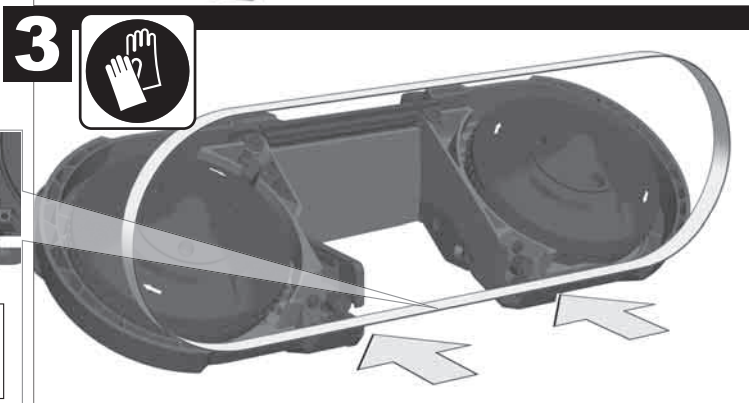
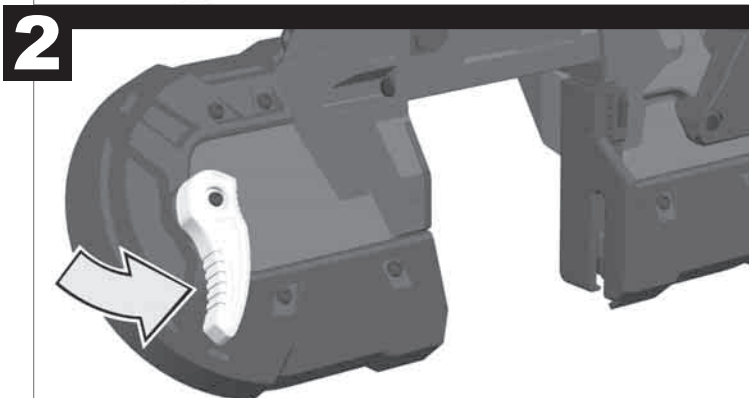
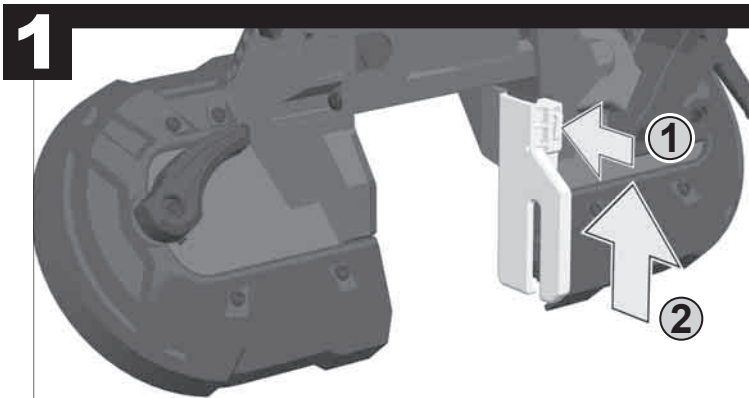
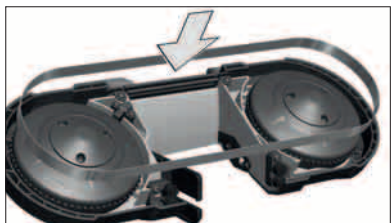
ENGLISH		Picture section with operating description and functional description	4
DEUTSCH		Bildteil mit Anwendungs- und Funktionsbeschreibungen	4
FRANÇAIS		Partie imagée avec description des applications et des fonctions	4
ITALIANO		Sezione illustrata con descrizione dell'applicazione e delle funzioni	4
ESPAÑOL		Sección de ilustraciones con descripción de aplicación y descripción funcional	4
PORTUGUES		Parte com imagens explicativas contendo descrição operacional e funcional	4
NEDERLANDS		Beelddedeelte met toepassings- en functiebeschrijvingen	4
DANSK		Billedel med anvendelses- og funktionsbeskrivelser	4
NORSK		Billedel med bruks- og funksjonsbeskrivelse	4
SVENSKA		Bilddel med användnings- och funktionsbeskrivning	4
SUOMI		Kuvasivut käyttö- ja toimintakuvaukset	4
ΕΛΛΗΝΙΚΑ		Τμήμα εικόνων με περιγραφές χρήσης και λειτουργίας	4
TÜRKÇE		Resim bölümü Uygulama ve fonksiyon açıklamaları ile birlikte	4
ČESKY		Obrazová část s popisem aplikací a funkcí	4
SLOVENSKY		Obrazová část s popisom aplikácií a funkcií	4
POLSKI		Część rysunkowa z opisami zastosowania i działania	4
MAGYAR		Képes részalkalmazási- és működési leírásokkal	4
SLOVENSKO		Del slikez opisom uporabe in funkcij	4
HRVATSKI		Dio sa slikama opisima primjene i funkcija	4
LATVISKI		Attēla daļa ar lietošanas un funkciju aprakstiem	4
LIETUVIŠKAI		Paveikslėlio dalis su vartojimo instrukcija ir funkcijų aprašymais	4
EESTI		Pildiosa kasutusjuhendi ja funktsioonide kirjeldusega	4
РУССКИЙ		Раздел иллюстраций с описанием эксплуатации и функций	4
БЪЛГАРСКИ		Част със снимки с описание за приложение и функции	4
ROMÂNIA		Secvența de imagine cu descrierea utilizării și a funcționării	4
МАКЕДОНСКИ		Дел со сликисо описи за употреба и функционирање	4
УКРАЇНСЬКА		Частина з зображеннями з описом робіт та функцій	4
عربي		قسم الصور يوجد به الوصف التشغيلي والوظيفي	4

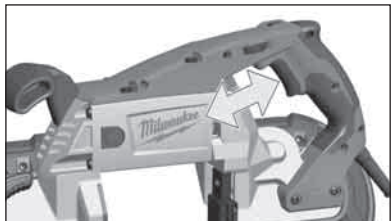
Text section with Technical Data, important Safety and Working Hints and description of Symbols	20
Textteil mit Technischen Daten, wichtigen Sicherheits- und Arbeitshinweisen und Erklärung der Symbole.	22
Partie textuelle avec les données techniques, les consignes importantes de sécurité et de travail ainsi que l'explication des pictogrammes.	24
Sezione testo con dati tecnici, importanti informazioni sulla sicurezza e sull'utilizzo, spiegazione dei simboli.	26
Sección de texto con datos técnicos, indicaciones importantes de seguridad y trabajo y explicación de los símbolos.	28
Parte com texto explicativo contendo Especificações técnicas, Avisos de segurança e de operação e a Descrição dos símbolos.	30
Tekstgedeelte met technische gegevens, belangrijke veiligheids- en arbeidsinstructies en verklaring van de symbolen.	32
Tekstdel med tekniske data, vigtige sikkerheds- og arbejdsanvisninger og symbolforklaring.	34
Tekstdel med tekniske data, viktige sikkerhets- og arbeidsinstruksjoner og forklaring av symbolene.	36
Textdel med tekniska informationer, viktiga säkerhets- och användningsinstruktioner samt symbolförklaringar.	38
Tekstisivut: tekniset tiedot, tärkeät turvallisuus- ja työskentelyohjeet sekä merkien selitykset.	40
Τμήμα κειμένου με τεχνικά χαρακτηριστικά, σημαντικές υποδείξεις ασφαλείας και εργασίας και εξήγηση των συμβόλων.	42
Teknik bilgileri, önemli güvenlik ve çalışma açıklamalarını ve de sembollerin açıklamalarını içeren metin bölümü.	44
Textová část s technickými daty, důležitými bezpečnostními a pracovními pokyny a s vysvětlivkami symbolů	46
Textová část s technickými datami, důležitými bezpečnostními a pracovními pokyny a s vysvětlivkami symbolov	48
Część opisowa z danymi technicznymi, ważnymi wskazówkami dotyczącymi bezpieczeństwa i pracy oraz objaśnieniami symboli.	50
Szöveges rész műszaki adatokkal, fontos biztonsági- és munkavégzési útmutatásokkal, valamint a szimbólumok magyarázata.	52
Del besedila s tehničnimi podatki, pomembnimi varnostnimi opozorili in delovnimi navodili in pojasnili simbolov.	54
Dio štiva sa tehničkim podacima, važnim sigurnosnim i radnim uputama i objašnjenjem simbola.	56
Teksta daļa ar tehnikajiem parametriem, svarīgiem drošības un darbības norādījumiem, simbolu atšifrējumiem.	58
Teksto dalis su techniniais duomenimis, svarbiomis saugumo ir darbo instrukcijomis bei simbolių paaiškinimais.	60
Tekstiosa tehniliste näitajate, oluliste ohutus- ja tööjuhenditega ning sümbolite kirjeldustega.	62
Текстовый раздел, включающий технические данные, важные рекомендации по безопасности и эксплуатации, а также описание используемых символов.	64
Част с текст с технически данни, важни указания за безопасност и работа и разяснение на символите.	66
Porțiune de text cu date tehnice, indicații importante privind siguranța și modul de lucru și descrierea simbolurilor.	68
Текстуален дел со Технички карактеристики, важни безбедносни и работни упатства и објаснување на симболите.	70
Текстова частина з техничними даними, важливими вказівками з техніки безпеки та експлуатації і поясненням символів.	72
القسم النصي المزود بالبيانات الفنية والنصائح الهامة للسلامة والعمل ووصف الرموز	75



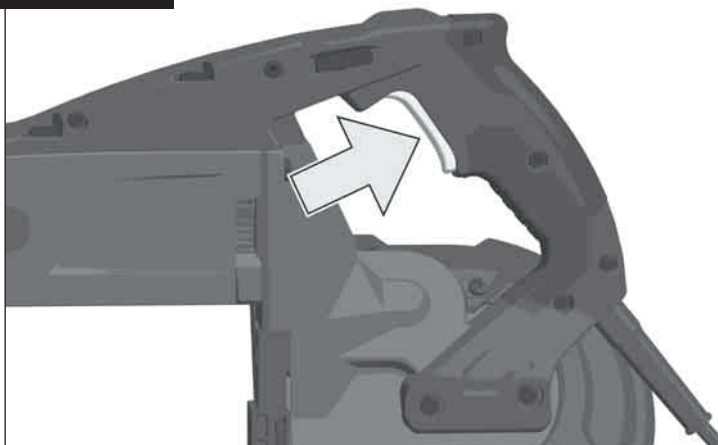




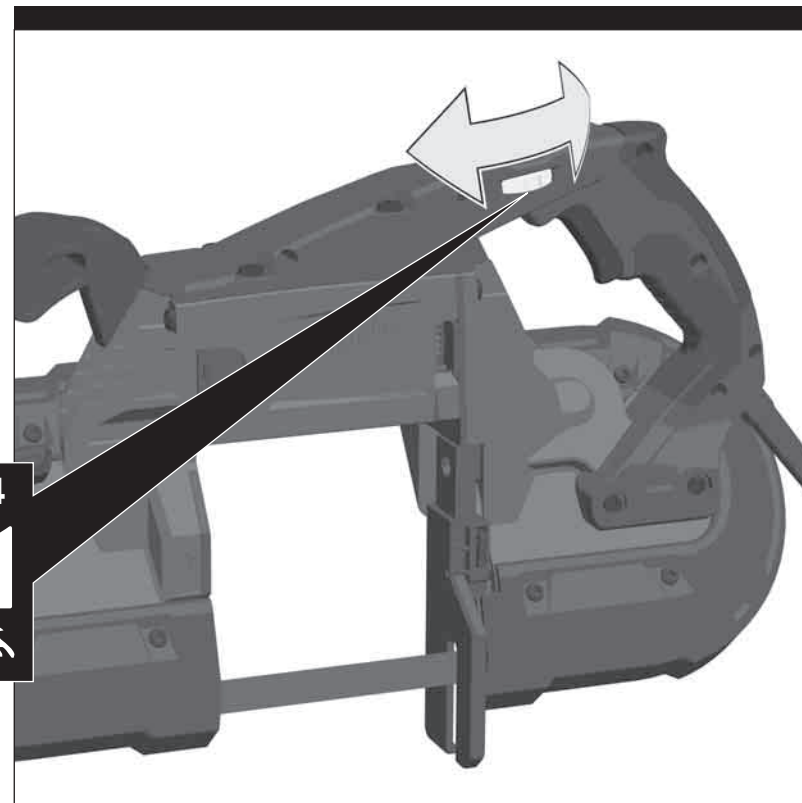
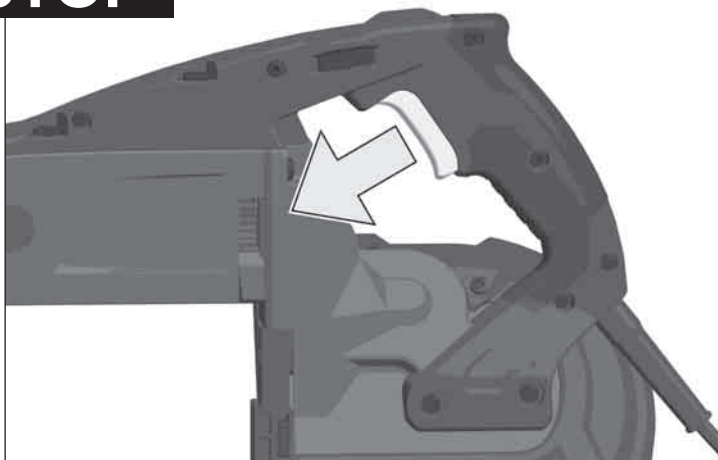




START



STOP

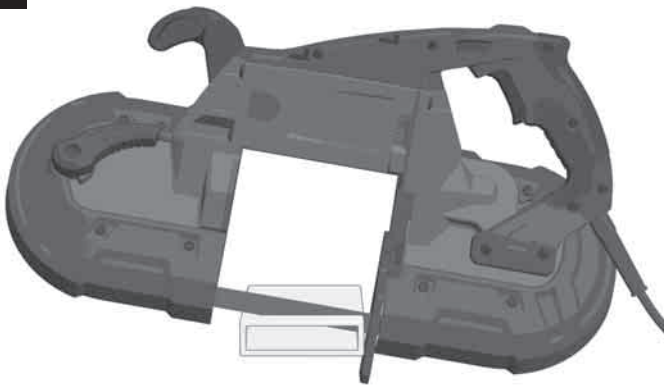


1.....4

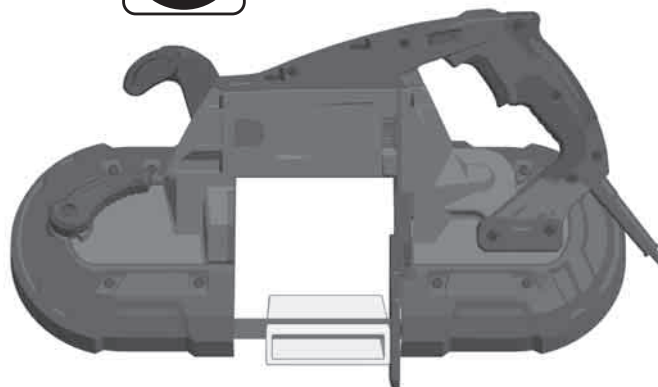
A speed scale diagram consisting of a black rectangular box. At the top, it contains the text "1.....4". Below the text is a white curve that starts low on the left and rises to a higher peak on the right. At the bottom left of the box is a white silhouette of a turtle, and at the bottom right is a white silhouette of a rabbit.

TIP 

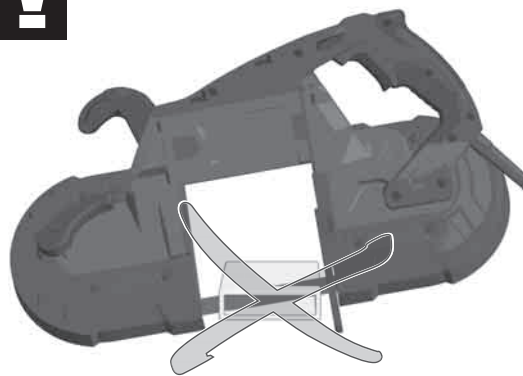
1



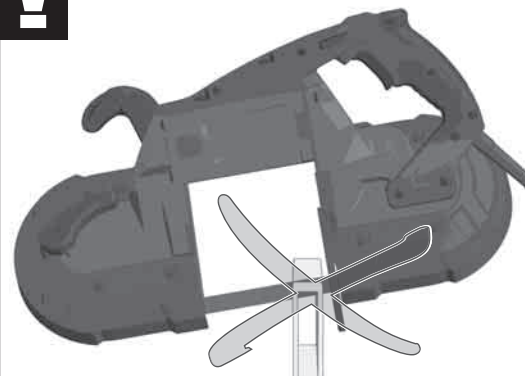
2



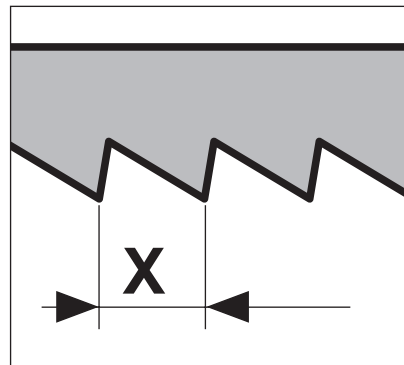
!



!



TIP 



X = 2,5 mm

8-13 mm

X = 2,5 mm / 1,8 mm

5-13 mm

X = 1,8 mm

5-8 mm

X = 1,8 mm / 1,4 mm

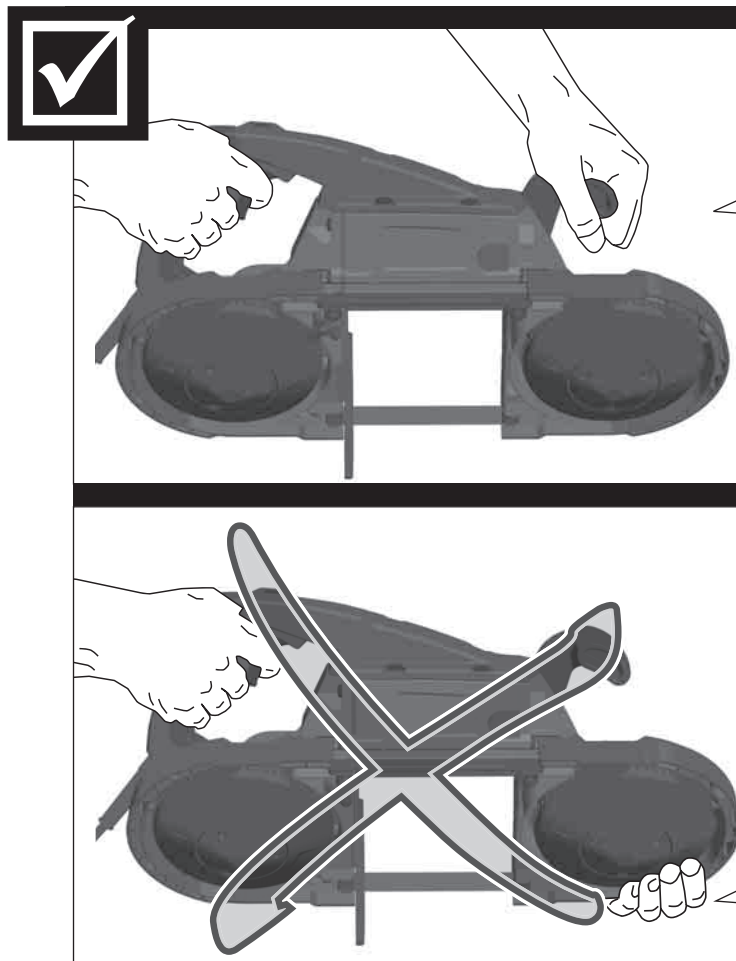
4-8 mm

X = 1,4 mm

4-5 mm

X = 1 mm

< 4 mm



Hold the tool firmly with both hands.
Halten Sie die Maschine mit beiden Händen fest.
Maintenez la machine fermement avec les deux mains.
Tenete l'attrezzo con due mani.
Sujete la máquina con ambas manos.
Segure a máquina com as duas mãos.
Houd de machine met beide handen vast.
Hold fast i maskinen med begge hænder.
Hold maskinen fast med begge hendene.
Håll i maskinen med båda händer.
Pidä koneesta kiinni molemmiin käsiin.
Κρατάτε το εργαλείο σταθερά και με τα δύο χέρια.
Her iki elinizle makineyi sıkıca tutunuz.
Držte nástroj pevně oběma rukama.

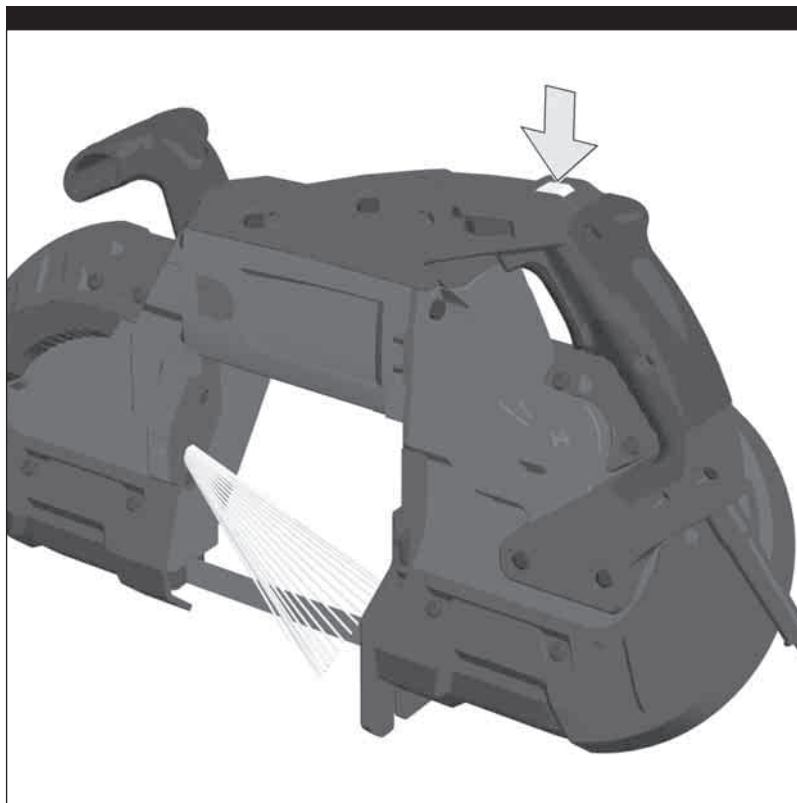
Držte nástroj pevně obomi rukami.
Trzymać mocno maszynę obydwoma rękami.
Tartsa meg erősen mindkét kézzel a gépet.
Stroj držite močno z obema rokama.
Držite stroj čvrsto sa obim rukama.
Turiet instrumentu stingri ar abām rokām.
Tvirtai laikykite įrankį abiem rankomis.
Hoida tööriista tugevalt mõlema käega
Крепко держите машину обеими руками.
Дръжте машината здраво с двете ръце.
Тинеџ машина стрънс су амбеле мџини.
Држете ја машината цврсто со двете раце.
Міцно тримайте машину обома руками.

امسك الأداة بإحكام بكلتا يديك.

Do not place hand(s) on or around the guard / blade whilst tool is connected to the power supply.
Fassen Sie nicht an die Schutzhaube oder das Sägeblatt, wenn die Maschine am Stromnetz angeschlossen ist.
Lorsque la machine est connectée au réseau électrique, ne pas toucher le capot de protection ou la lame.
Non toccare la cuffia di protezione o la lama quando la macchina è collegata alla rete elettrica.
No toque la caperuza de protección o la hoja de sierra, si la máquina está conectada a la red eléctrica.
Não toque na tampa de proteção ou na folha da serra quando a máquina estiver conectada a rede.
Als de machine op het stroomnet is aangesloten, mag noch de veiligheidskap noch het zaagblad worden vastgepakt.
Rør ikke ved beskyttelsesskærmen eller savklingen, når maskinen er tilsluttet strømmettet.
Ikke ta på vernehetten eller sagbladet når maskinen er tilkoblet strømmettet.
Ta inte i skyddskåpan eller sågbladet när maskinen är ansluten till elnätet.
Älä tartu suojakupuun tai sahanterään koneen ollessa liitettyinä sähköverkkoon.
Μη βάζετε τα χέρια σας στην περιοχή του προστατευτικού καλύμματος και της λεπίδας πριονιού όταν το μηχάνημα είναι συνδεδεμένο με την παροχή ηλεκτρικού ρεύματος.
Makine elektriğe bağlı olduğunda ellerinizle koruyucu kapaktan veya testere bıçağından tutmayınız.
Když je stroj připojený k el. síti, nesahejte na ochranný kryt nebo list pily.

Keď je stroj pripojený k el. sieti, nechytajte ochranný kryt alebo list pily.
Nie należy dotykać osłony ani brzeszczotu piły, gdy maszyna jest podłączona do sieci prądowej.
Ne érjen a védőburkolathoz vagy a fűrészlaphoz, ha a gép csatlakoztatva van a villamos hálózatra.
Kadar je stroj priključen v električno omrežje, ne segajte v zaščitno avbo ali žagin list.
Nemojte zahvatati zaštitnu kapu ili list pile ako je stroj priključen na električnu mrežu.
Neaizskariet aizsargvāku vai zāģa plātni, ja mašina pieslēgta strāvai.
Neimkite už apsauginio gaubto arba pjovimo disko, kai mašina yra prijungta prie elektros tinklo.
Ärge haarake kaitsekattest või saekettast kinni, kui masin on vooluvõrku ühendatud.
Не прикасаться к защитному кожуху или диску, если машина подключена к электросети.
Не докосвайте предпазния капак или режещата лента, когато машината е включена към електрическата мрежа.
Nu atingeți carcasa protectoare și nici pânza de ferăstrău când scula este conectată la rețeaua de curent electric.
Немојте да ги допирате заштитната хауба и сечилото на пилата кога машината е вклучена.
Не торкатися захисного кожуха або пилкового диску, коли машина підключена до електромережі.

لا تضع اليد على أو بجانب الواقي/ الشفرة عندما تكون الأداة متصلة بمزود الطاقة.



TECHNICAL DATA **BAND SAW** **BS 125 (220 V - 240 V)** **BS 125 (110 V - 120 V)**

Production code.....	4482 46 03.....	4482 56 03.....
	...000001-999999	...000001-999999
Rated input.....	1100 W.....	1100 W.....
No-load speed.....	0-116 m/min.....	0-116 m/min.....
Blade size.....	1139,8 x 12,7 x 0,5 mm.....	1139,8 x 12,7 x 0,5 mm.....
Cutting capacity rectangular stock.....	125 x 125 mm.....	125 x 125 mm.....
Cutting capacity Pipe.....	∅ 125 mm.....	∅ 125 mm.....
Weight according EPTA-Procedure 01/2003.....	6,5 kg.....	6,5 kg.....

Noise information
Measured values determined according to EN 60 745.
Typically, the A-weighted noise levels of the tool are:

Sound pressure level (K=3dB(A)).....	90 dB (A).....	90,2 dB (A).....
Sound power level (K=3dB(A)).....	101 dB (A).....	101,2 dB (A).....

Wear ear protectors!
Vibration information
Total vibration values (vector sum in the three axes) determined according to EN 60745.
Sawing of metal

Vibration emission value a _h	1,09 m/s ²	1,27 m/s ²
Uncertainty K=.....	1,5 m/s ²	1,5 m/s ²

WARNING
The vibration emission level given in this information sheet has been measured in accordance with a standardised test given in EN 60745 and may be used to compare one tool with another. It may be used for a preliminary assessment of exposure.
The declared vibration emission level represents the main applications of the tool. However if the tool is used for different applications, with different accessories or poorly maintained, the vibration emission may differ. This may significantly increase the exposure level over the total working period.

An estimation of the level of exposure to vibration should also take into account the times when the tool is switched off or when it is running but not actually doing the job. This may significantly reduce the exposure level over the total working period.
Identify additional safety measures to protect the operator from the effects of vibration such as: maintain the tool and the accessories, keep the hands warm, organisation of work patterns.

⚠ WARNING! Read all safety warnings and all instructions. Failure to follow the warnings and instructions may result in electric shock, fire and/or serious injury.
Save all warnings and instructions for future reference.

⚠ BAND SAW SAFETY INSTRUCTIONS

Hold power tool by insulated gripping surfaces, when performing an operation where the cutting accessory may contact hidden wiring or its own cord. Cutting accessory contacting a „live“ wire may make exposed metal parts of the power tool „live“ and could give the operator an electric shock.

Wear ear protectors. Exposure to noise can cause hearing loss.

ADDITIONAL SAFETY AND WORKING INSTRUCTIONS

Use protective equipment. Always wear safety glasses when working with the machine. The use of protective clothing is recommended, such as dust mask, protective gloves, sturdy non-slip footwear, helmet and ear defenders.

The dust produced when using this tool may be harmful to health. Do not inhale the dust. Wear a suitable dust protection mask.

Do not machine any materials that present a danger to health (e.g. asbestos).

Switch the device off immediately if the insertion tool stalls! Do not switch the device on again while the insertion tool is stalled, as doing so could trigger a sudden recoil with a high reactive force. Determine why the insertion tool stalled and rectify this, paying heed to the safety instructions.

The possible causes may be:
• it is tilted in the workpiece to be machined
• it has pierced through the material to be machined
• the power tool is overloaded

Do not reach into the machine while it is running.

The insertion tool may become hot during use.
WARNING! Danger of burns
• when changing tools
• when setting the device down

Chips and splinters must not be removed while the machine is running.

Keep mains lead clear from working range of the machine. Always lead the cable away behind you.

Clamp your workpiece with a clamping device. Unclamped workpieces can cause severe injury and damage.

Always disconnect the plug from the socket before carrying out any work on the machine.

Do not use cracked or distorted saw blades.

Always place the guide shoe on the workpiece when sawing.

Do not start the blade when in contact with workpiece. Wait for blade to reach full speed before beginning cut.

When blade is binding, or when interrupting a cut for any reason, release the trigger and hold the cutter motionless in the material until the blade comes to a complete stop. Never restart the machine when the blade in contact with workpiece.

SPECIFIED CONDITIONS OF USE

The Band Saw cuts lengthways and mitre accurately in different type of metals such as metal profiles (UniStrut), pipes, metal studs, channels, aluminium profiles, metal sheets.

Do not use this product in any other way as stated for normal use.

EC-DECLARATION OF CONFORMITY

We declare under our sole responsibility that the product described under "Technical Data" fulfills all the relevant regulations and the directives 2011/65/EU (RoHs), 2014/30/EU, 2006/42/EC, and the following harmonized standards have been used:

- EN 60745-1:2009 + A11:2010
- EN 60745-2-20:2009
- EN 55014-1:2006 + A1:2009 + A2:2011
- EN 55014-2:2015
- EN 61000-3-2:2014
- EN 61000-3-3:2013
- EN 61547:2009
- EN 55015:2013
- EN 50581:2012

Winnenden, 2017-11-30

Alexander Krug
Alexander Krug
Managing Director

Authorized to compile the technical file.
Techronic Industries GmbH
Max-Eyth-Straße 10
71364 Winnenden
Germany

MAINS CONNECTION

Appliances used at many different locations including wet room and open air must be connected via a residual current device (FI, RCD, PRCD) of 30mA or less.

Connect only to single-phase AC current and only to the system voltage indicated on the rating plate. It is also possible to connect to sockets without an earthing contact as the design conforms to safety class II.

Make sure the machine is switched off before plugging in.

MAINTENANCE




The ventilation slots of the machine must be kept clear at all times.


If the supply cord of this appliance is damaged, it must only be replaced by a repair shop appointed by the manufacturer, to avoid hazardous situations


Use only Milwaukee accessories and spare parts. Should components need to be replaced which have not been described, please contact one of our Milwaukee service agents (see our list of guarantee/service addresses).


If needed, an exploded view of the tool can be ordered. Please state the Article No. as well as the machine type printed on the label and order the drawing at your local service agents or directly at: Techronic Industries GmbH, Max-Eyth-Straße 10, 71364 Winnenden, Germany.


SYMBOLS

-  CAUTION! WARNING! DANGER!
-  Always disconnect the plug from the socket before carrying out any work on the machine.
-  Please read the instructions carefully before starting the machine.
-  Keep hands away from rotating parts.
-  Always wear goggles when using the machine.
-  Wear gloves!
-  Do not dispose of electric tools together with household waste material. Electric tools and electronic equipment that have reached the end of their life must be collected separately and returned to an environmentally compatible recycling facility. Check with your local authority or retailer for recycling advice and collection point.

 Class II tool, tool in which protection against electric shock does not rely on basic insulation only, but in which additional safety precautions, such as double insulation or reinforced insulation, are provided.
There being no provision for protective earthing or reliance upon installation conditions.

 European Conformity Mark

 National mark of conformity Ukraine

 EurAsian Conformity Mark.

TECHNISCHE DATEN BANDSÄGE BS 125 (220 V - 240 V) BS 125 (110 V - 120 V)

Produktionsnummer	4482 46 03... ..000001-999999	4482 56 03... ..000001-999999
Nennaufnahmeleistung.....	1100 W.....	1100 W.....
Leerlaufgeschwindigkeit.....	0-116 m/min.....	0-116 m/min.....
Abmessungen Sägeblatt	1139,8 x 12,7 x 0,5 mm	1139,8 x 12,7 x 0,5 mm
Schneidleistung Rechteckprofil	125 x 125 mm	125 x 125 mm
Schneidleistung Rohr	∅ 125 mm	∅ 125 mm
Gewicht nach EPTA-Prozedur 01/2003.....	6,5 kg.....	6,5 kg.....

Geräuschinformation

Messwerte ermittelt entsprechend EN 60 745. Der A-bewertete Geräuschpegel des Gerätes beträgt typischerweise:

Schalldruckpegel (K = 3 dB(A)).....	90 dB (A).....	90,2 dB (A).....
Schallleistungspegel (K = 3 dB(A)).....	101 dB (A).....	101,2 dB (A).....

Gehörschutz tragen!

Vibrationsinformation

Schwingungsgesamtwerte (Vektorsumme dreier Richtungen) ermittelt entsprechend EN 60745.

Sägen von Metall:		
Schwingungsemissionswert a _h	1,09 m/s ²	1,27 m/s ²
Unsicherheit K =	1,5 m/s ²	1,5 m/s ²

WARNUNG

Der in diesen Anweisungen angegebene Schwingungspegel ist entsprechend einem in EN 60745 genormten Messverfahren gemessen worden und kann für den Vergleich von Elektrowerkzeugen miteinander verwendet werden. Er eignet sich auch für eine vorläufige Einschätzung der Schwingungsbelastung.

Der angegebene Schwingungspegel repräsentiert die hauptsächlichen Anwendungen des Elektrowerkzeugs. Wenn allerdings das Elektrowerkzeug für andere Anwendungen, mit abweichenden Einsatzwerkzeugen oder ungenügender Wartung eingesetzt wird, kann der Schwingungspegel abweichen. Dies kann die Schwingungsbelastung über den gesamten Arbeitszeitraum deutlich erhöhen.

Für eine genaue Abschätzung der Schwingungsbelastung sollten auch die Zeiten berücksichtigt werden, in denen das Gerät abgeschaltet ist oder zwar läuft, aber nicht tatsächlich im Einsatz ist. Dies kann die Schwingungsbelastung über den gesamten Arbeitszeitraum deutlich reduzieren.

Legen Sie zusätzliche Sicherheitsmaßnahmen zum Schutz des Bedieners vor der Wirkung von Schwingungen fest wie zum Beispiel: Wartung von Elektrowerkzeug und Einsatzwerkzeugen, Warmhalten der Hände, Organisation der Arbeitsabläufe.

⚠️ WARNUNG! Lesen Sie alle Sicherheitshinweise und Anweisungen. Versäumnisse bei der Einhaltung der Sicherheitshinweise und Anweisungen können elektrischen Schlag, Brand und/oder schwere Verletzungen verursachen. **Bewahren Sie alle Sicherheitshinweise und Anweisungen für die Zukunft auf.**

⚠️ SICHERHEITSHINWEISE FÜR BANDSÄGEN

Halten Sie das Gerät an den isolierten Griffflächen, wenn Sie Arbeiten ausführen, bei denen das Schneidwerkzeug verborgene Stromleitungen oder das eigene Netzkabel treffen kann. Der Kontakt des Schneidwerkzeugs mit einer spannungsführenden Leitung kann metallene Geräteteile unter Spannung setzen und zu einem elektrischen Schlag führen.

Tragen Sie Gehörschutz. Die Einwirkung von Lärm kann Hörverlust bewirken.

WEITERE SICHERHEITS- UND ARBEITSHINWEISE

Schutzausrüstung verwenden. Beim Arbeiten mit der Maschine stets Schutzbrille tragen. Schutzkleidung wie Staubschutzmaske, Schutzhandschuhe, festes und rutschsicheres Schuhwerk, Helm und Gehörschutz werden empfohlen.

Beim Arbeiten entstehender Staub ist oft gesundheitsschädlich und sollte nicht in den Körper gelangen. Geeignete Staubschutzmaske tragen.

Es dürfen keine Materialien bearbeitet werden, von denen eine Gesundheitsgefährdung ausgeht (z.B. Asbest).

Beim Blockieren des Einsatzwerkzeuges bitte das Gerät sofort ausschalten! Schalten Sie das Gerät nicht wieder ein, solange das Einsatzwerkzeug blockiert ist; hierbei könnte ein Rückschlag mit hohem Reaktionsmoment entstehen. Ermitteln und beheben Sie die Ursache für die Blockierung

des Einsatzwerkzeuges unter Berücksichtigung der Sicherheitshinweise.

- Mögliche Ursachen dafür können sein:
- Verkanten im zu bearbeitenden Werkstück
 - Durchbrechen des zu bearbeitenden Materials
 - Überlasten des Elektrowerkzeuges

Greifen Sie nicht in die laufende Maschine.

Das Einsatzwerkzeug kann während der Anwendung heiß werden.

⚠️ WARNUNG! Verbrennungsgefahr

- bei Werkzeugwechsel
- bei Ablegen des Gerätes

Späne oder Splitter dürfen bei laufender Maschine nicht entfernt werden.

Anschlusskabel stets vom Wirkungsbereich der Maschine fernhalten. Kabel immer nach hinten von der Maschine wegführen.

Sichern Sie Ihr Werkstück mit einer Spannvorrichtung. Nicht gesicherte Werkstücke können schwere Verletzungen und Beschädigungen verursachen.

Vor allen Arbeiten an der Maschine Stecker aus der Steckdose ziehen.

Rissige Sägeblätter oder solche, die ihre Form verändert haben, dürfen nicht verwendet werden!

Führungsbügel beim Sägen immer am Werkstück anlegen.

Maschine nicht einschalten, wenn das Sägeblatt das Material berührt. Maschine erst einschalten und dann in das Material sägen.

Sollte das Sägeblatt klemmen, sofort ausschalten und Maschine nach Stillstand des Sägeblattes aus dem Material ziehen. Niemals Maschine wieder einschalten, wenn das Sägeblatt das Material noch berührt.

BESTIMMUNGSGEMÄSSE VERWENDUNG

Die Bandsäge ist einsetzbar zum Sägen von geradlinigen Schnitten in verschiedenen Arten von Metall wie z.B. Metallprofile (UniStrut), Rohre, Trockenbauständer, Kabelkanäle, Aluminiumprofile, Bleche.

Dieses Gerät darf nur wie angegeben bestimmungsgemäß verwendet werden.

CE-KONFORMITÄTSERKLÄRUNG

Wir erklären in alleiniger Verantwortung, dass das unter „Technische Daten“ beschriebene Produkt mit allen relevanten Vorschriften der Richtlinie 2011/65/EU (RoHS), 2014/30/EU, 2006/42/EG und den folgenden harmonisierten normativen Dokumenten übereinstimmt:

- EN 60745-1:2009 + A11:2010
- EN 60745-2-20:2009
- EN 55014-1:2006 + A1:2009 + A2:2011
- EN 55014-2:2015
- EN 61000-3-2:2014
- EN 61000-3-3:2013
- EN 61547:2009
- EN 55015:2013
- EN 50581:2012

Winnenden, 2017-11-30

Alexander Krug

Alexander Krug
Managing Director



Bevollmächtigt die technischen Unterlagen zusammenzustellen

Techtronic Industries GmbH
Max-Eyth-Straße 10
71364 Winnenden
Germany

NETZANSCHLUSS

Steckdosen in Feuchträumen und Außenbereichen müssen mit Fehlerstrom-Schutzschaltern (FI, RCD, PRCD) ausgerüstet sein. Das verlangt die Installationsvorschrift für Ihre Elektroanlage. Bitte beachten Sie das bei der Verwendung unseres Gerätes.

Nur an Einphasen-Wechselstrom und nur an die auf dem Leistungsschild angegebene Netzspannung anschließen. Anschluss ist auch an Steckdosen ohne Schutzkontakt möglich, da ein Aufbau der Schutzklasse II vorliegt.

Gerät nur ausgeschaltet an die Steckdose anschließen.

WARTUNG

Stets die Lüftungsschlitze der Maschine sauber halten.

Wenn die Netzanschlussleitung beschädigt ist, muss diese durch eine Kundendienststelle ausgewechselt werden, um Gefährdungen zu vermeiden.

Nur Milwaukee Zubehör und Ersatzteile verwenden. Bauteile, deren Austausch nicht beschrieben wurde, bei einer Milwaukee Kundendienststelle auswechseln lassen (Broschüre Garantie/Kundendienstadressen beachten).

Bei Bedarf kann eine Explosionszeichnung des Gerätes unter Angabe der Maschinen Type und der sechsstelligen Nummer auf dem Leistungsschild bei Ihrer Kundendienststelle oder direkt bei Techtronic Industries GmbH, Max-Eyth-Straße 10, 71364 Winnenden, Germany angefordert werden.

SYMBOL



ACHTUNG! WARNUNG! GEFAHR!



Vor allen Arbeiten an der Maschine Stecker aus der Steckdose ziehen.



Bitte lesen Sie die Gebrauchsanweisung vor Inbetriebnahme sorgfältig durch.



Halten Sie die Hände von rotierenden Teilen fern.



Beim Arbeiten mit der Maschine stets Schutzbrille tragen.



Schutzhandschuhe tragen!



Elektrogeräte dürfen nicht zusammen mit dem Hausmüll entsorgt werden. Elektrische und elektronische Geräte sind getrennt zu sammeln und zur umweltgerechten Entsorgung bei einem Verwertungsbetrieb abzugeben. Erkundigen Sie sich bei den örtlichen Behörden oder bei Ihrem Fachhändler nach Recyclinghöfen und Sammelstellen.



Elektrowerkzeug der Schutzklasse II. Elektrowerkzeug, bei dem der Schutz vor einem elektrischen Schlag nicht nur von der Basisisolierung abhängt, sondern auch davon, dass zusätzliche Schutzmaßnahmen, wie doppelte Isolierung oder verstärkte Isolierung, angewendet werden. Es gibt keine Vorrichtung zum Anschluss eines Schutzleiters.



CE-Zeichen



Nationales Konformitätszeichen Ukraine



EurAsian Konformitätszeichen.

CARACTÉRISTIQUES TECHNIQUES SCIE À RUBAN BS 125 (220 V - 240 V) BS 125 (110 V - 120 V)

Numéro de série.....	4482 46 03.....	4482 56 03.....
.....	...000001-999999.....	...000001-999999.....
Puissance nominale de réception.....	1100 W.....	1100 W.....
Vitesse de rotation à vide.....	0-116 m/min.....	0-116 m/min.....
Dimensions de la lame de scie.....	1139,8 x 12,7 x 0,5 mm.....	1139,8 x 12,7 x 0,5 mm.....
Puissance de coupe maximale profilés rectangulaires.....	125 x 125 mm.....	125 x 125 mm.....
Puissance de coupe maximale tube.....	∅ 125 mm.....	∅ 125 mm.....
Poids suivant EPTA-Procédure 01/2003.....	6,5 kg.....	6,5 kg.....

Informations sur le bruit

Valeurs de mesure obtenues conformément à la EN 60 745. Les mesures réelles (A) des niveaux acoustiques de l'appareil sont :

Niveau de pression acoustique (Incertitude K=3dB(A)).....	90 dB (A).....	90,2 dB (A).....
Niveau d'intensité acoustique (Incertitude K=3dB(A)).....	101 dB (A).....	101,2 dB (A).....

Toujours porter une protection acoustique!

Informations sur les vibrations

Valeurs totales des vibrations (somme vectorielle de trois sens) établies conformément à EN 60745.

Sciage des métaux		
Valeur d'émission vibratoire a_h	1,09 m/s ²	1,27 m/s ²
Incertitude K=.....	1,5 m/s ²	1,5 m/s ²

AVERTISSEMENT

Le niveau vibratoire indiqué dans ces instructions a été mesuré selon un procédé de mesure normalisé dans la norme EN 60745 et peut être utilisé pour comparer des outils électriques entre eux. Il convient aussi à une estimation provisoire de la sollicitation par les vibrations.

Le niveau vibratoire indiqué représente les applications principales de l'outil électrique. Toutefois, si l'outil électrique est utilisé pour d'autres applications, avec des outils rapportés qui diffèrent ou une maintenance insuffisante, il se peut que le niveau vibratoire diverge. Cela peut augmenter nettement la sollicitation par les vibrations sur tout l'intervalle de temps du travail.

Pour une estimation précise de la sollicitation par les vibrations, on devrait également tenir compte des temps pendant lesquels l'appareil n'est pas en marche ou tourne sans être réellement en service. Cela peut réduire nettement la sollicitation par les vibrations sur tout l'intervalle de temps du travail.

Définissez des mesures de sécurité supplémentaires pour protéger l'utilisateur contre l'influence des vibrations, comme par exemple : la maintenance de l'outil électrique et des outils rapportés, le maintien au chaud des mains, l'organisation des déroulements de travail.

⚠ Avis ! Lire toutes les instructions et les indications de sécurité. La non observance des indications de sécurité et des instructions peut comporter des lésions.

Garder toutes les indications de sécurité et les instructions en vue de toute future consultation.

⚠ CONSIGNES DE SÉCURITÉ POUR SCIE À RUBAN

Maintenez l'appareil par les surfaces de poignée isolées lorsque vous exécutez des travaux pendant lesquels l'outil de coupe peut toucher des lignes électriques dissimulées ou le propre câble. Le contact de l'outil de coupe avec un câble qui conduit la tension peut mettre les pièces métalliques de l'appareil sous tension et mener à une décharge électrique.

Portez une protection acoustique. L'influence du bruit peut provoquer la surdité.

AVIS COMPLÉMENTAIRES DE SÉCURITÉ ET DE TRAVAIL

Utiliser l'équipement de protection. Toujours porter des lunettes de protection pendant le travail avec la machine. Il est recommandé de porter des articles de protection, tels que masque antipoussière, gants de protection, chaussures tenant bien aux pieds et antidérapantes, casque et protection acoustique.

Les poussières qui sont dégagées pendant les travaux sont souvent nocives pour la santé et ne devraient pas pénétrer dans le corps. Porter un masque de protection approprié contre les poussières.

Il est interdit de travailler des matériaux dangereux pour la santé (par ex. amiante).

Désactiver immédiatement le dispositif en cas de blocage ! Ne pas réactiver le dispositif avec l'outil bloqué, il y a le risque de provoquer un contre-coup avec moment de

réaction élevé. Établir et éliminer la cause du blocage de l'outil en prêtant attention aux consignes de sécurité.

Les causes possibles sont :

- Encastrement dans la pièce à travailler.
- Le dispositif a traversé le matériau à travailler en le cassant.
- Le dispositif électrique a été surchargé.

Ne pas approcher les mains de la partie en mouvement de la machine.

Durant l'utilisation, l'outil peut se surchauffer.

- AVERTISSEMENT!** Danger de brûlures
- durant le remplacement de l'outil
 - durant la dépose de l'outil

Ne jamais enlever les copeaux ni les éclats lorsque la machine est en marche.

Le câble d'alimentation doit toujours se trouver en dehors du champ d'action de la machine. Toujours maintenir le câble d'alimentation à l'arrière de la machine.

Fixer fermement la pièce en exécution à l'aide d'un dispositif de serrage. Des pièces en exécution non fermement fixées peuvent provoquer des dommages et des lésions graves.

Avant tous travaux sur la machine extraire la fiche de la prise de courant.

Ne pas utiliser de lames de scie fissurées ou déformées.

Toujours appuyer l'étrier de guidage sur la pièce à travailler.

Ne pas mettre en marche la machine lorsque la lame de scie touche le matériau. Mettre la machine d'abord en marche, puis seulement scier dans le matériau.

Au cas où la lame de scie serait coincée, arrêter immédiatement la machine, attendre l'arrêt total de la lame de scie avant de la retirer du matériau. Ne jamais remettre en marche la machine tant que la lame de scie touche le matériau.

UTILISATION CONFORME AUX PRESCRIPTIONS

La scie à ruban peut être utilisée pour scier des coupes droites dans différents types de métaux, comme par exemple des profilés métalliques (UniStrut), tubes, montants pour les constructions sèches, canaux de câbles, profilés en aluminium et tôles.

Comme déjà indiqué, cette machine n'est conçue que pour être utilisée conformément aux prescriptions.

DÉCLARATION CE DE CONFORMITÉ

Nous déclarons sous notre seule responsabilité que le produit décrit sous « Caractéristiques techniques » concorde avec toutes les consignes pertinentes de la directive 2011/65 EU (RoHS), 2014/30/UE, 2006/42/CE et les documents normatifs harmonisés suivants :

EN 60745-1:2009 + A11:2010
 EN 60745-2-20:2009
 EN 55014-1:2006 + A1:2009 + A2:2011
 EN 55014-2:2015
 EN 61000-3-2:2014
 EN 61000-3-3:2013
 EN 61547:2009
 EN 55015:2013
 EN 50581:2012

Winnenden, 2017-11-30

Alexander Krug

Alexander Krug
 Managing Director



Autorisé à compiler la documentation technique.

Techtronic Industries GmbH
 Max-Eyth-Straße 10
 71364 Winnenden
 Germany

BRANCHEMENT SECTEUR

Les prises de courant se trouvant à l'extérieur doivent être équipées de disjoncteurs différentiel (FI, RCD, PRCD) conformément aux prescriptions de mise en place de votre installation électrique. Veuillez en tenir compte lors de l'utilisation de notre appareil.

Raccorder uniquement à un courant électrique monophasé et uniquement à la tension secteur indiquée sur la plaque signalétique. Le raccordement à des prises de courant sans contact de protection est également possible car la classe de protection II est donnée.

Ne relier l'appareil à la prise de courant que lorsqu'il est débranché.

ENTRETIEN

Tenir toujours propres les orifices de ventilation de la machine.

Si le câble de raccordement au réseau secteur est endommagé, celui-ci doit être remplacé par un centre de service après-vente, pour éviter les risques.

N'utiliser que des pièces et accessoires Milwaukee. Pour des pièces dont l'échange n'est pas décrit, s'adresser de préférence aux stations de service après-vente Milwaukee (voir brochure Garantie/Adresses des stations de service après-vente).

Si besoin est, une vue éclatée de l'appareil peut être fournie. S'adresser, en indiquant bien le numéro porté sur la plaque signalétique, à votre station de service après-vente (voir liste jointe) ou directement à Techtronic Industries GmbH, Max-Eyth-Straße 10, 71364 Winnenden, Germany.

SYMBOLES



ATTENTION! AVERTISSEMENT! DANGER!



Avant tous travaux sur la machine extraire la fiche de la prise de courant.



Veuillez lire avec soin le mode d'emploi avant la mise en service



Ne pas approcher les mains des parties tournantes.



Toujours porter des lunettes protectrices en travaillant avec la machine.



Porter des gants de protection!



Les dispositifs électriques ne sont pas à éliminer dans les déchets ménagers. Les dispositifs électriques et électroniques sont à collecter séparément et à remettre à un centre de recyclage en vue de leur élimination dans le respect de l'environnement. S'adresser aux autorités locales ou au détaillant spécialisé en vue de connaître l'emplacement des centres de recyclage et des points de collecte.



Outil électrique en classe de protection II. Outil électrique équipé d'une protection contre la fulguration électrique qui ne dépend seulement de l'isolation de base mais aussi de l'application d'autres mesures de protection telles qu'une double isolation ou une isolation augmentée. La connexion d'un conducteur de protection n'est pas prédisposée.



Marque CE



Symbole national de conformité Ukraine



Marque de qualité EurAsian

DATI TECNICI	SEGA A NASTRO	BS 125 (220 V - 240 V)	BS 125 (110 V - 120 V)
Numero di serie	4482 46 03.....	4482 56 03... ...000001-999999	...000001-999999
Potenza assorbita nominale	1100 W.....	1100 W.....	1100 W.....
Numero di giri a vuoto	0-116 m/min.....	0-116 m/min.....	0-116 m/min.....
Dimensioni della lama della sega	1139,8 x 12,7 x 0,5 mm.....	1139,8 x 12,7 x 0,5 mm.....	1139,8 x 12,7 x 0,5 mm.....
Potenza massima di taglio profili rettangolari	125 x 125 mm.....	125 x 125 mm.....	125 x 125 mm.....
Potenza massima di taglio tubi	Ø 125 mm.....	Ø 125 mm.....	Ø 125 mm.....
Peso secondo la procedura EPTA 01/2003	6,5 kg.....	6,5 kg.....	6,5 kg.....

Informazioni sulla rumorosità

Valori misurati conformemente alla norma EN 60 745.
La misurazione A del livello di pressione acustica dell'utensile è di solito di:

Livello di rumorosità (Incertezza della misura K=3dB(A)).....	90 dB (A).....	90,2 dB (A).....
Potenza della rumorosità (Incertezza della misura K=3dB(A)).....	101 dB (A).....	101,2 dB (A).....

Utilizzare le protezioni per l'udito!

Informazioni sulle vibrazioni

Valori totali delle oscillazioni (somma di vettori in tre direzioni) misurati conformemente alla norma EN 60745

Segatura di metallo		
Valore di emissione dell'oscillazione a_h	1,09 m/s ²	1,27 m/s ²
Incertezza della misura K=	1,5 m/s ²	1,5 m/s ²

AVVERTENZA

Il livello di vibrazioni indicato nelle presenti istruzioni è stato misurato in conformità con un procedimento di misurazione codificato nella EN 60745 e può essere utilizzato per un confronto tra attrezzi elettrici. Inoltre si può anche utilizzare per una valutazione preliminare della sollecitazione da vibrazioni.

Il livello di vibrazioni indicato rappresenta le applicazioni principali dell'attrezzo elettrico. Se viceversa si utilizza l'attrezzo elettrico per altri scopi, con accessori differenti o con una manutenzione insufficiente, il livello di vibrazioni può risultare diverso. E questo può aumentare decisamente la sollecitazione da vibrazioni lungo l'intero periodo di lavorazione.

Ai fini di una valutazione precisa della sollecitazione da vibrazioni si dovrebbero tenere presente anche i periodi in cui l'apparecchio rimane spento oppure, anche se acceso, non viene effettivamente utilizzato. Ciò può ridurre notevolmente la sollecitazione da vibrazioni lungo l'intero periodo di lavorazione.

Stabilite misure di sicurezza supplementari per la tutela dell'operatore dall'effetto delle vibrazioni, come ad esempio: manutenzione dell'attrezzo elettrico e degli accessori, riscaldamento delle mani, organizzazione dei processi di lavoro.

AVVERTENZA! Leggere tutte le istruzioni ed indicazioni di sicurezza. Il mancato rispetto delle indicazioni di sicurezza e delle istruzioni può comportare lesioni.

Conservare tutte le indicazioni di sicurezza e istruzioni per una consultazione futura.

INDICAZIONI DI SICUREZZA PER SEGA A NASTRO

Impugnare l'apparecchio sulle superfici di tenuta isolate mentre si eseguono lavori durante i quali l'utensile da taglio potrebbe entrare in contatto con cavi di corrente o con il proprio cavo d'alimentazione. L'eventuale contatto dell'utensile da taglio con un cavo sotto tensione potrebbe mettere sotto tensione le parti metalliche dell'apparecchio e provocare una folgorazione.

Indossare protezioni acustiche adeguate. L'esposizione prolungata al rumore senza protezione può causare danni all'udito.

ULTERIORI AVVISI DI SICUREZZA E DI LAVORO

Usare dispositivi di protezione. Durante il lavoro con la macchina bisogna sempre portare occhiali di protezione. Si consiglia di indossare indumenti di protezione come maschera antipolvere, guanti di protezione, scarpe antiscivolo robuste, casco e cuffie di protezione acustica.

La polvere che si produce durante il lavoro è spesso dannosa per la salute e non dovrebbe essere aspirata. Portare un'adeguata mascherina protettiva.

E' vietato lavorare materiali che possono costituire pericoli alla salute (ad es. amianto).

Spegnere immediatamente il dispositivo in caso di bloccaggio! Non riaccendere il dispositivo fino a quando l'utensile ad inserto resta bloccato; esiste il rischio di causare un contraccolpo con elevato momento di reazione.

Rilevare ed eliminare la causa del bloccaggio dell'utensile ad inserto tenendo conto delle indicazioni di sicurezza.

Le possibili cause sono:

- Incastro nel pezzo in lavorazione
- Il dispositivo ha attraversato il materiale da lavorare rompendolo
- Il dispositivo elettrico è stato sovraccaricato

Non avvicinare le mani alla parte della macchina in movimento.

Durante l'uso l'utensile ad inserto può surriscaldarsi.

AVVERTENZA! Pericolo di ustioni

- durante la sostituzione dell'utensile
- durante il deposito dell'utensile

Non rimuovere trucioli o schegge mentre l'utensile è in funzione.

Tenere sempre lontano il cavo di collegamento dall'area di lavoro dell'attrezzo.

Fissare in sicurezza il pezzo in lavorazione con un dispositivo di serraggio. Pezzi in lavorazione che non siano fissati in sicurezza possono causare gravi lesioni e danni.

Prima di effettuare qualsiasi lavoro sulla macchina togliere la spina dalla presa di corrente.

Non devono essere utilizzate nè lame incrinata nè lame la cui forma abbia subito alterazioni.

Segando, posizionare sempre la staffa di guida sul pezzo da lavorare.

Non accendere l'utensile fin quando la lama non è a contatto con il materiale. Prima accendere l'utensile e poi eseguire il taglio nel materiale.

Quando la lama si blocca o quando s'interrompe un lavoro per qualsiasi ragione, rilasciare l'interruttore e tenere l'utensile immobile sul materiale finché la lama non si sia

fermata completamente. Non riaccendere l'utensile se la lama è ancora a contatto con il pezzo su cui si sta lavorando.

UTILIZZO CONFORME

La sega a nastro si può utilizzare per segare tagli dritti di diversi tipi di metallo come p.e. profili in metallo (UniStrut), tubi, montanti di rivestimento e cartongesso, canaletti portacavi, profili in alluminio, lamiere.

Utilizzare il prodotto solo per l'uso per cui è previsto.

DICHIARAZIONE DI CONFORMITÀ CE

Dichiariamo sotto la nostra esclusiva responsabilità che il prodotto descritto ai "Dati tecnici" corrisponde a tutte le disposizioni delle direttive 2011/65/EU (RoHS), 2014/30/EU, 2006/42/CE e successivi documenti normativi armonizzati:

EN 60745-1:2009 + A11:2010
EN 60745-2-20:2009
EN 55014-1:2006 + A1:2009 + A2:2011
EN 55014-2:2015
EN 61000-3-2:2014
EN 61000-3-3:2013
EN 61547:2009
EN 55015:2013
EN 50581:2012

Winnenden, 2017-11-30

Alexander Krug

Alexander Krug
Managing Director



Autorizzato alla preparazione della documentazione tecnica
Techronic Industries GmbH
Max-Eyth-Straße 10
71364 Winnenden
Germany

COLLEGAMENTO ALLA RETE

Gli apparecchi mobili usati all'aperto devono essere collegati interponendo un interruttore di sicurezza (FI, RCD, PRCD) per guasti di corrente.

Connettere solo corrente alternata mono fase e solo al sistema di voltaggio indicato sulla piastra. E' possibile anche connettere la presa senza un contatto di messa a terra così come prevede lo schema conforme alla norme di sicurezza di classe II.

Inserire la spina nella presa di corrente solo ad apparecchio spento

MANUTENZIONE

Tener sempre ben pulite le fessure di ventilazione dell'apparecchio.

Se il cavo di allacciamento elettrico è danneggiato, deve essere immediatamente sostituito dal punto di servizio assistenza, perché allo scopo serve un utensile speciale.

Utilizzare esclusivamente accessori e pezzi di ricambio Milwaukee. L'installazione di pezzi di ricambio non specificamente prescritti dall'Milwaukee va preferibilmente effettuata dal servizio di assistenza clienti Milwaukee (ved. opuscolo Garanzia/Indirizzi Assistenza tecnica).

In caso di mancanza del disegno esplosivo, può essere richiesto al seguente indirizzo: Tetric Industries GmbH, Max-Eyth-Straße 10, 71364 Winnenden, Germany.

SIMBOLI



ATTENZIONE! AVVERTENZA! PERICOLO!



Prima di effettuare qualsiasi lavoro sulla macchina togliere la spina dalla presa di corrente.



Leggere attentamente le istruzioni per l'uso prima di mettere in funzione l'elettro-utensile.



Non avvicinare le mani alle parti rotanti.



Durante l'uso dell'apparecchio utilizzare sempre gli occhiali di protezione.



Indossare guanti protettivi!



I dispositivi elettrici non devono essere smaltiti con i rifiuti domestici. I dispositivi elettrici ed elettronici devono essere raccolti separatamente e devono essere conferiti ad un centro di riciclaggio per lo smaltimento rispettoso dell'ambiente. Chiedere alle autorità locali o al rivenditore specializzato dove si trovano i centri di riciclaggio e i punti di raccolta.



Utensile elettrico di classe di protezione II. Utensile elettrico sul quale la protezione contro la folgorazione elettrica non dipende soltanto dall'isolamento di base, ma anche dall'applicazione di ulteriori misure di protezione, come il doppio isolamento o l'isolamento maggiorato. Non è predisposto il collegamento di un conduttore di protezione.



Marchio CE



Simbolo di conformità nazionale Ucraina



Marchio di conformità EurAsian

DATOS TÉCNICOS **CIERRA DE CINTA** **BS 125 (220 V - 240 V)** **BS 125 (110 V - 120 V)**

Número de producción	4482 46 03.....	4482 56 03.....
	...000001-999999	...000001-999999
Potencia de salida nominal.....	1100 W.....	1100 W.....
Velocidad en vacío	0-116 m/min.....	0-116 m/min.....
Dimensiones hoja de sierra.....	1139,8 x 12,7 x 0,5 mm.....	1139,8 x 12,7 x 0,5 mm.....
Rendimiento máximo de corte perfiles rectangulares	125 x 125 mm.....	125 x 125 mm.....
Rendimiento máximo de corte tubos.....	∅ 125 mm.....	∅ 125 mm.....
Peso de acuerdo con el procedimiento EPTA 01/2003	6,5 kg.....	6,5 kg.....

Información sobre ruidos

Determinación de los valores de medición según norma EN 60745.

El nivel de ruido típico del aparato determinado con un filtro

A corresponde a:

Presión acústica (Tolerancia K=3dB(A)).....	90 dB (A).....	90,2 dB (A).....
Resonancia acústica (Tolerancia K=3dB(A)).....	101 dB (A).....	101,2 dB (A).....

Usar protectores auditivos!

Informaciones sobre vibraciones

Nivel total de vibraciones (suma vectorial de tres direcciones)

determinado según EN 60745.

Aserrado de metal

Valor de vibraciones generadas a _n	1,09 m/s ²	1,27 m/s ²
Tolerancia K=.....	1,5 m/s ²	1,5 m/s ²

ADVERTENCIA

El nivel vibratorio indicado en estas instrucciones ha sido medido conforme a un método de medición estandarizado en la norma EN 60745, y puede utilizarse para la comparación entre herramientas eléctricas. También es apropiado para una estimación provisional de la carga de vibración.

El nivel vibratorio indicado representa las aplicaciones principales de la herramienta eléctrica. Si, pese a ello, se utiliza la herramienta eléctrica para otras aplicaciones, con útiles adaptables diferentes o con un mantenimiento insuficiente, el nivel vibratorio puede diferir. Esto puede incrementar sensiblemente la carga de vibración durante todo el periodo de trabajo.

Para una estimación exacta de la carga de vibración deberían tenerse en cuenta también los tiempos durante los que el aparato está apagado o, pese a estar en funcionamiento, no está siendo realmente utilizado. Esto puede reducir sustancialmente la carga de vibración durante todo el periodo de trabajo.

Adopte medidas de seguridad adicionales para la protección del operador frente al efecto de las vibraciones, como por ejemplo: mantenimiento de la herramienta eléctrica y de los útiles adaptables, mantener las manos calientes, organización de los procesos de trabajo.

⚠ ¡ADVERTENCIA! Lea todas las indicaciones de seguridad y las instrucciones. El incumplimiento de las indicaciones de seguridad y de las instrucciones puede ocasionar lesiones.

Guarde todas las indicaciones de seguridad y las instrucciones para futuras consultas.

⚠ INDICACIONES DE SEGURIDAD PARA SIERRA DE CIENTA

Sujete el aparato de las superficies aisladas de agarre al efectuar trabajos en los cuales la perforadora de percusión pueda entrar en contacto con conductores de corriente ocultos o con el propio cable. El contacto de la perforadora de percusión con un conducto con energía aplicada también podrá poner bajo tensión partes metálicas del aparato y causar un choque eléctrico.

¡Utilice protección auditiva! La exposición a niveles de ruido excesivos puede causar pérdida de audición

INSTRUCCIONES ADICIONALES DE SEGURIDAD Y LABORALES

Utilice el equipamiento de protección. Mientras trabaje con la máquina lleve siempre gafas protectoras. Se recomienda utilizar ropa de protección como máscara protectora contra el polvo, guantes protectores, calzado resistente y antideslizante, casco y protección para los oídos.

El polvo que se produce durante estos trabajos puede ser nocivo a la salud; es por ello aconsejable que no penetre al cuerpo. Utilice por ello una máscara protectora contra polvo.

No se deben trabajar materiales que conlleven un riesgo para la salud (por ej. amianto).

¡En caso de que se bloquee el útil, el aparato se debe desconectar inmediatamente! No vuelva a conectar el

aparato, mientras el útil esté bloqueado; se podría producir un rechazo debido a la reacción de retroceso brusca. Averigüe y elimine la causa del bloqueo del útil, teniendo en cuenta las indicaciones de seguridad.

Causas posibles para ello pueden ser:

- Atascamiento o bloqueo en la pieza de trabajo
- Rotura del material con el que está trabajando
- Sobrecarga de la herramienta eléctrica

No introduzca las manos en la máquina mientras ésta se encuentra en funcionamiento.

El útil se puede calentar durante el uso. **ADVERTENCIA!** Peligro de quemaduras

- en caso de cambiar la herramienta
- en caso de depositar el aparato

Nunca se debe intentar limpiar el polvo o viruta procedente del taladrado con la máquina en funcionamiento.

Mantener siempre el cable separado del radio de acción de la máquina.

Fije la pieza de trabajo con un dispositivo de fijación. Las piezas de trabajo no fijadas pueden causar lesiones graves y deterioros.

Desconecte siempre el enchufe antes de llevar a cabo cualquier trabajo en la máquina.

No usar seguetas rajadas o torcidas.

Al serrar aplicar siempre el estribo guía a la pieza de trabajo.

No arrancar con el disco en contacto con el material, esperar a que alcance la velocidad máxima

Cuando el disco esté bloqueado, o al interrumpir el corte por cualquier circunstancia, suelte el interruptor y sujete la máquina hasta que el disco se detenga completamente. Nunca vuelva a conectar la herramienta con el disco en contacto con la pieza de trabajo

APLICACIÓN DE ACUERDO A LA FINALIDAD

La cierra de cinta puede aplicarse para cortes en línea recta en diferentes tipos de material como p. ej. perfiles de metal (UniStrut), tubos, canales para cables, perfiles de aluminio, chapas.

No utilice este producto para ninguna otra aplicación que no sea su uso normal.

DECLARACION DE CONFORMIDAD CE

Declaramos bajo nuestra responsabilidad que el producto descrito bajo "Datos técnicos" está en conformidad con todas las normas relevantes de la directiva 2011/65/EU (RoHS), 2014/30/UE, 2006/42/CE y con las siguientes normas o documentos normalizados:

- EN 60745-1:2009 + A11:2010
- EN 60745-2-20:2009
- EN 55014-1:2006 + A1:2009 + A2:2011
- EN 55014-2:2015
- EN 61000-3-2:2014
- EN 61000-3-3:2013
- EN 61547:2009
- EN 55015:2013
- EN 50581:2012

Winnenden, 2017-11-30

Alexander Krug

Alexander Krug
Managing Director



Autorizado para la redacción de los documentos técnicos.

Techtronic Industries GmbH
Max-Eyth-Straße 10
71364 Winnenden
Germany

CONEXIÓN ELÉCTRICA

Conecte siempre la máquina a una red protegida por interruptor diferencial y magnetotérmico (FI, RCD, PRCD), para su seguridad personal, según normas establecidas para instalaciones eléctricas de baja tensión.

Conectar solamente a corriente AC monofásica y sólo al voltaje indicado en la placa de características. También es posible la conexión a enchufes sin toma a tierra, dado que es conforme a la Clase de Seguridad II.

Asegurarse que la máquina está desconectada antes de enchufarla.

MANTENIMIENTO

Las ranuras de ventilación de la máquina deben estar despejadas en todo momento.

Si el cable de conexión a la red estuviera dañado, deberá ser sustituido en un punto de servicio técnico, para evitar situaciones de peligro.

Solo se deben utilizar accesorios y piezas de repuestos Milwaukee. Piezas cuyo recambio no está descrito en las instrucciones de uso, deben sustituirse en un centro de asistencia técnica Milwaukee (Consulte el folleto Garantía/ Direcciones de Centros de Asistencia Técnica).

En caso necesario, puede solicitar un despiece de la herramienta. Por favor indique el número de impreso que hay en la etiqueta y pida el despiece a la siguiente dirección: Techtronic Industries GmbH, Max-Eyth-Straße 10, 71364 Winnenden, Germany.

SÍMBOLOS



¡ATENCIÓN! ¡ADVERTENCIA! ¡PELIGRO!



Desconecte siempre el enchufe antes de llevar a cabo cualquier trabajo en la máquina.



Lea las instrucciones detenidamente antes de conectar la herramienta



Mantenga las manos alejadas de las piezas giratorias.



Para trabajar con la máquina, utilizar siempre gafas de protección.



Usar guantes protectores



Los aparatos eléctricos no se deben eliminar junto con la basura doméstica. Los aparatos eléctricos y electrónicos se deben recoger por separado y se deben entregar a una empresa de reciclaje para una eliminación respetuosa con el medio ambiente. Infórmese en las autoridades locales o en su tienda especializada sobre los centros de reciclaje y puntos de recogida.



Herramienta eléctrica de la clase de protección II. Herramientas eléctricas, en las que la protección contra un choque eléctrico no depende solamente del aislamiento básico sino también de la aplicación de medidas adicionales de protección, como doble aislamiento o aislamiento reforzado. No existe dispositivo para la conexión de un conductor protector.



Marca CE



Marca de conformidad nacional de Ucrania



Certificado EAC de conformidad

CARACTERÍSTICAS TÉCNICAS SERRA DE FITA PODE

BS 125 (220 V - 240 V)

BS 125 (110 V - 120 V)

Número de produção.....	4482 46 03.....	4482 56 03.....
	...000001-999999	...000001-999999
Potência absorvida nominal	1100 W.....	1100 W.....
Velocidade em vazio.....	0-116 m/min.....	0-116 m/min.....
Dimensões da folha de serra.....	1139,8 x 12,7 x 0,5 mm.....	1139,8 x 12,7 x 0,5 mm.....
Potência de corte máx. perfis rectangulares	125 x 125 mm.....	125 x 125 mm.....
Potência de corte máx. tubos.....	∅ 125 mm.....	∅ 125 mm.....
Peso nos termos do procedimento-EPTA 01/2003	6,5 kg.....	6,5 kg.....

Informações sobre ruído

Valores de medida de acordo com EN 60 745.

O nível de ruído avaliado A do aparelho é tipicamente:

Nível da pressão de ruído (Incertez K=3dB(A)).....	90 dB (A).....	90,2 dB (A).....
Nível da potência de ruído (Incertez K=3dB(A)).....	101 dB (A).....	101,2 dB (A).....

Use protectores auriculares!**Informações sobre vibração**

Valores totais de vibração (soma dos vectores das três direcções) determinadas conforme EN 60745.

Serrar metal

Valor de emissão de vibração a_h	1,09 m/s ²	1,27 m/s ²
Incerteza K=.....	1,5 m/s ²	1,5 m/s ²

ATENÇÃO

O nível vibratório indicado nestas instruções foi medido em conformidade com um procedimento de medição normalizado na EN 60745 e pode ser utilizado para comparar entre si ferramentas eléctricas. O mesmo é também adequado para avaliar provisoriamente o esforço vibratório.

O nível vibratório indicado representa as principais aplicações da ferramenta eléctrica. Se, no entanto, a ferramenta eléctrica for utilizada para outras aplicações, com outras ferramentas adaptadas ou uma manutenção insuficiente, o nível vibratório poderá divergir. Isto pode aumentar consideravelmente o esforço vibratório ao longo de todo o período do trabalho.

Para uma avaliação exacta do esforço vibratório devem também ser considerados os tempos durante os quais o aparelho está desligado ou está a funcionar, mas não está efectivamente a ser utilizado. Isto pode reduzir consideravelmente o esforço vibratório ao longo de todo o período do trabalho.

Defina medidas de segurança suplementares para proteger o operador do efeito das vibrações, como por exemplo: manutenção da ferramenta eléctrica e das ferramentas adaptadas, manter as mãos quentes, organização das sequências de trabalho.

AVISO! Leia as instruções de segurança e as instruções. A inobservância das instruções de segurança e instruções pode levar a feridas. **Guarde todas as instruções de segurança e as instruções para o uso futuro.**

AVISOS DE SEGURANÇA PARA A SERRA DE FITA

Segure o aparelho nas superfícies de punho isoladas se estiver a executar trabalhos, nos quais a ferramenta de corte pode tocar em linhas eléctricas escondidas ou no próprio cabo. O contacto da ferramenta de corte com uma linha sob tensão também pode colocar peças metálicas do aparelho sob tensão e levar a um choque eléctrico.

Sempre use a protecção dos ouvidos. A influência de ruídos pode causar surdez.

INSTRUÇÕES DE SEGURANÇA E TRABALHO SUPLEMENTARES

Utilizar equipamento de protecção. Durante os trabalhos com a máquina, usar sempre óculos de protecção.

Vestiuário de protecção, bem como máscara de pó, sapatos fechados e antiderrapante, capacete e protecção auditiva são recomendados.

O pó que resulta ao trabalhar pode ser nocivo para a saúde, por isso não devendo penetrar no corpo. Use uma máscara de protecção contra pó apropriada.

Não devem ser procesados materiais que representem um perigo para a saúde (p. ex. asbesto).

Desligue o aparelho imediatamente, quando a ferramenta de inserção bloquear! Não ligue o aparelho novamente durante o bloqueio da ferramenta de inserção, pois isso pode levar a um recuo repentino com uma alta força reactiva. Verifique e elimine a causa do bloqueio da

ferramenta de inserção, observando as instruções de segurança.

Causas possíveis podem ser:

- Emperramento na peça a trabalhar
- Material a processar rompido
- Sobrecarga da ferramenta eléctrica

Não toque na máquina em operação.

A ferramenta de inserção pode ficar quente durante a operação.

ATENÇÃO! Perigo de queimar-se

- na troca das ferramentas
- ao depositar o aparelho

Não remover aparas ou lascas enquanto a máquina trabalha.

Manter sempre o cabo de ligação fora da zona de acção da máquina.

Fixe a peça a trabalhar com um dispositivo de fixação.

Peças a trabalhar não fixadas podem levar a feridas graves e danos sérios.

Antes de efectuar qualquer intervenção na máquina, tirar a ficha da tomada.

Não utilizar lâminas de corte fissuradas ou deformadas.

Coloque sempre a guia na peça de trabalho quando estiver a serrar.

Não ligue a máquina se o disco de serra estiver em contacto com o material. Efectue os cortes no material só depois de ligada a máquina.

Se o disco de serra ficar emperrado, desligue a máquina imediatamente e puxe-a para fora do material depois de imobilizado o disco. Nunca volte a ligar a máquina se o disco de serra ainda estiver em contacto com o material.

UTILIZAÇÃO AUTORIZADA

A serra de fita pode ser utilizada para serrar cortes rectilíneos em diversos tipos de metal como p.ex. perfis metálicos (UniStrut), tubos, montantes de construção a seco, condutos de cabos, perfis de alumínio, chapas.

Não use este produto de outra maneira sem ser a normal para o qual foi concebido.

DECLARAÇÃO DE CONFORMIDADE CE

Declaramos sob responsabilidade exclusiva, que o produto descrito sob "Dados técnicos" corresponde com todas as disposições relevantes da diretiva 2011/65/EU (RoHS), 2014/30/UE, 2006/42/CE e dos seguintes documentos normativos harmonizados.

EN 60745-1:2009 + A11:2010
EN 60745-2-20:2009
EN 55014-1:2006 + A1:2009 + A2:2011
EN 55014-2:2015
EN 61000-3-2:2014
EN 61000-3-3:2013
EN 61547:2009
EN 55015:2013
EN 50581:2012

Winnenden, 2017-11-30


Alexander Krug
Managing Director

Autorizado a reunir a documentação técnica.

Techtronic Industries GmbH
Max-Eyth-Straße 10
71364 Winnenden
Germany

LIGAÇÃO À REDE

Aparelhos não estacionários, utilizados ao ar livre, devem ser protegidos por um disjuntor de corrente de defeito (FI, RCD, PRCD).

Só conectar à corrente alternada monofásica e só à tensão de rede indicada na placa de potência. A conexão às tomadas de rede sem contacto de segurana também é possível, pois trata-se duma construção da classe de protecção II.

Ao ligar o aspirador à rede, o interruptor deve encontrar-se na posição de desligado.

MANUTENÇÃO

Manter desobstruídos os rasgos de ventilação na carcaça da máquina.

Se o cabo de alimentação eléctrica estiver danificado, este deverá ser substituído junto de um serviço de assistência ao cliente dado, que será necessário utilizar ferramentas especiais.

Utilizar unicamente acessórios e peças sobressalentes da Milwaukee. Sempre que a substituição de um componente não tenha sido descrita nas instruções, será de toda a conveniência mandar executar esse trabalho a um Serviço de Assistência Milwaukee (veja o folheto Garantia/Endereços de Serviços de Assistência).

A pedido e mediante indicação da referência que consta da chapa de características da máquina, pode requerer-se um desenho explosivo da ferramenta eléctrica a: Techtronic Industries GmbH, Max-Eyth-Straße 10, 71364 Winnenden, Germany.

SYMBOLS

ATENÇÃO! PERIGO!



Antes de efectuar qualquer intervenção na máquina, tirar a ficha da tomada.



Leia atentamente o manual de instruções antes de colocar a máquina em funcionamento.



Mantenha as mãos afastadas de peças em rotação.



Usar sempre óculos de protecção ao trabalhar com a máquina.



Use luvas de protecção!



Aparelhos eléctricos não devem ser jogados no lixo doméstico. Aparelhos eléctricos e electrónicos devem ser colectados separadamente e entregues a uma empresa de reciclagem para a eliminação correcta. Solicite informações sobre empresas de reciclagem e postos de colecta de lixo das autoridades locais ou do seu vendedor autorizado.



Ferramenta eléctrica da classe de protecção II. Ferramenta eléctrica, na qual a protecção contra choque eléctrico não só depende do isolamento básico, mas também da aplicação de medidas de protecção suplementares, como isolamento duplo ou reforçado. Não há um dispositivo para a conexão dum condutor de protecção.



Marca CE



Marca de conformidade nacional da Ucrânia



Marca de conformidade EurAsian.

TECHNISCHE GEGEVENS **BANDZAAG** **BS 125 (220 V - 240 V)** **BS 125 (110 V - 120 V)**

Productienummer	4482 46 03.....	4482 56 03.....
Nominaal afgegeven vermogen.....	1100 W.....	1100 W.....
Onbelast toerental.....	0-116 m/min.....	0-116 m/min.....
Afmetingen zaagblad.....	1139,8 x 12,7 x 0,5 mm.....	1139,8 x 12,7 x 0,5 mm.....
Vermogen rechthoekprofielen.....	125 x 125 mm.....	125 x 125 mm.....
Vermogen buizen.....	Ø 125 mm.....	Ø 125 mm.....
Gewicht volgens de EPTA-procedure 01/2003	6,5 kg.....	6,5 kg.....

Geluidsinformatie
 Meetwaarden vastgesteld volgens EN 60 745.
 Het kenmerkende A-gewogen geluidsniveau van de machine bedraagt:
 Geluidsdrukniveau (Onzekerheid K=3dB(A)) 90 dB (A) 90,2 dB (A)
 Geluidsvermogniveau (Onzekerheid K=3dB(A)) 101 dB (A) 101,2 dB (A)

Draag oorschermers!
Trillingsinformatie
 Totale trillingswaarden (vectorsom van drie richtingebepaald volgens EN 60745.
 Zagen van metaal
 Trillingsemissiewaarde a_h 1,09 m/s² 1,27 m/s²
 Onzekerheid K= 1,5 m/s² 1,5 m/s²

WAARSCHUWING
 De in deze aanwijzingen vermelde trillingsdruk is gemeten volgens een in EN 60745 genormeerde meetmethode en kan worden gebruikt voor de onderlinge vergelijking van apparaten. Hij is ook geschikt voor een voorlopige inschatting van de trillingsbelasting.
 De aangegeven trillingsdruk geldt voor de meest gebruikelijke toepassingen van het elektrische apparaat. Wanneer het elektrische gereedschap echter voor andere doeleinden, met andere dan de voorgeschreven hulpstukken gebruikt of niet naar behoren onderhouden wordt, kan de trillingsdruk afwijken. Dit kan de waarde van de trillingsdruk over de hele werkperiode aanzienlijk verhogen.
 Voor een nauwkeurige inschatting van de trillingsdruk moeten ook de tijden in aanmerking worden genomen dat het apparaat uitgeschakeld is of weliswaar loopt, maar niet werkelijk in gebruik is. Dit kan de waarde van de trillingsdruk over de hele werkperiode aanzienlijk verminderen.
 Bepaal extra veiligheidsmaatregelen ter bescherming van de bediener tegen de inwerking van trillingen, bijvoorbeeld: onderhoud van elektrische gereedschappen en apparaten, warmhouden van de handen, organisatie van de werkprocessen.

WAARSCHUWING! Lees alle veiligheidsinstructies en aanwijzingen. Nalatigheden bij de naleving van de veiligheidsinstructies en aanwijzingen kunnen leiden tot letsel.
Bewaar alle veiligheidsinstructies en aanwijzingen voor later gebruik.

VEILIGHEIDSLINSTRUCTIES VOOR BANDZAGEN

Houd het apparaat alléén aan de geïsoleerde grijpvlakken vast, wanneer u werkzaamheden uitvoert waarbij het snijgereedschap verborgen stroomleidingen of de eigen apparaatkabel zou kunnen raken. Het contact van het snijgereedschap met een spanningvoerende leiding kan de metalen apparaatdelen onder spanning zetten en zo tot een elektrische schok leiden.
Draag oorschermers. Blootstelling aan geluid kan het gehoor beschadigen.

VERDERE VEILIGHEIDS- EN WERKINSTRUCTIES

Draag veiligheidsuitrusting. Bij werkzaamheden met de machine dient u altijd een veiligheidsbril te dragen. Veiligheidskleding zoals stofmasker, veiligheidshandschoenen, stevig en slipvast schoeisel, helm en gehoorbescherming worden aanbevolen.
 Het gedurende het werken vrijkomende stof is doorgaans schadelijk voor de gezondheid en mag niet met het lichaam in aanraking komen. Draag derhalve een geschikt stofbeschermsmasker.
 Het is niet toegestaan, materialen te bewerken waarvan een gezondheidsgevaar uitgaat (bijv. asbest).
 Schakel het apparaat onmiddellijk uit als het gereedschap blokkeert! Schakel het apparaat niet in zolang het gereedschap geblokkeerd is; dit zou een terugslag met een

hoog reactiemoment kunnen veroorzaken. Achterhaal en verhelp de oorzaak voor de blokkering van het gereedschap met inachtneming van de veiligheidsinstructies.
 Mogelijke oorzaken voor de blokkering:
 • kantelen in het te bewerken werkstuk
 • doorbreken van het te bewerken materiaal
 • overbelasting van het elektrische gereedschap
 Grijp niet in de lopende machine.
 Het gereedschap kan heet worden tijdens het gebruik.
WAARSCHUWING! Gevaar voor verbranding
 • bij het vervangen van het gereedschap
 • bij het neerleggen van het apparaat

Spanen of splinters mogen bij draaiende machine niet worden verwijderd.
 Snoer altijd buiten werkbereik van de machine houden.
 Borg uw werkstuk met behulp van een spaninrichting. Niet geborgde werkstukken kunnen ernstig letsel en grote schade veroorzaken.
 Voor alle werkzaamheden aan de machine de stekker uit de kontaktdoos trekken.
 Gescheurde zaagbladen of welke van vorm veranderd zijn, mogen niet gebruikt worden.
 Geleidebeugel bij het zagen altijd tegen het werkstuk leggen.

Schakel de machine niet in als het zaagblad het materiaal beroert. Start de machine, laat hem eerst vol draaien en zet 'm dan pas op het te zagen materiaal.
 Mocht het zaagblad klemmen, de machine uitschakelen en na stilstand van het zaagblad voorzichtig uit het materiaal trekken. De machine in géén geval inschakelen, wanneer het zaagblad het materiaal nog beroert.

VOORGESCHREVEN GEBRUIK VAN HET SYSTEEM

De bandzaag is geschikt voor het zagen van rechte sneden in verschillende soortenmetaal zoals bijv. metaalprofielen (UniStrut), buizen, droogbouwstandaards, kabelkanalen, aluminiumprofielen en platen.
 Dit apparaat uitsluitend gebruiken voor normaal gebruik, zoals aangegeven.

EC - VERKLARING VAN OVEREENSTEMMING

Wij verklaren in uitsluitende verantwoording dat het onder 'Technische gegevens' beschreven product overeenstemt met alle relevante voorschriften van de richtlijn 2011/65/EU (RoHS), 2014/30/EU, 2006/42/EG en de volgende geharmoniseerde normatieve documenten:
 EN 60745-1:2009 + A11:2010
 EN 60745-2-20:2009
 EN 55014-1:2006 + A1:2009 + A2:2011
 EN 55014-2:2015
 EN 61000-3-2:2014
 EN 61000-3-3:2013
 EN 61547:2009
 EN 55015:2013
 EN 50581:2012

Winnenden, 2017-11-30

 Alexander Krug
 Managing Director

 Gemachtigd voor samenstelling van de technische documenten
 Techtronic Industries GmbH
 Max-Eyth-Straße 10
 71364 Winnenden
 Germany

NETAANSLUITING


Verplaatsbaar gereedschap moet bij het gebruik buiten aan een aardlekschakelaar (FI,RCD,PRCD) aangesloten worden.
 Uitsluitend op éénfase-wisselstroom en uitsluitend op de op het typeplaatje aangegeven netspanning aansluiten. Aansluiting is ook mogelijk op een stekerdoos zonder aardcontact mogelijk, omdat het is ontworpen volgens veiligheidsklasse II.
 Machine alleen uitgeschakeld aan de stekerdoos aansluiten.



ONDERHOUD

Altijd de luchtspleten van de machine schoonhouden.
 Wanneer de netkabel beschadigd is, moet deze door een klantenservice worden vervangen, omdat daarvoor speciaal gereedschap vereist is.
 Alleen Milwaukee toebehoren en onderdelen gebruiken. Onderdelen welke niet vermeld worden, kunnen het beste door de Milwaukee servicedienst verwisseld worden (zie Serviceadressen).
 Onder vermelding van het nummer op het machineplaatje is desgewenst een doorsnedetekening van de machine verkrijgbaar bij: Techtronic Industries GmbH, Max-Eyth-Straße 10, 71364 Winnenden, Germany.

SYMBOLEN

-  **OPGELET! WAARSCHUWING! GEVAAR!**
-  Voor alle werkzaamheden aan de machine de stekker uit de kontaktdoos trekken.
-  Graag instructies zorgvuldig doorlezen vóórdát u de machine in gebruik neemt.
-  Houd de handen verwijderd van roterende onderdelen.
-  Bij het werken met de machine altijd een veiligheidsbril dragen.
-  Draag veiligheidshandschoenen!
-  Elektrische apparaten mogen niet via het huisafval worden afgevoerd. Elektrische en elektronische apparaten moeten gescheiden worden verzameld en voor een milieuvriendelijke afvoer worden afgegeven bij een recyclingbedrijf. Informeer bij uw gemeente of bij uw vakhandelaar naar recyclingbedrijven en inzamel punten.

 Elektrisch gereedschap van de beschermingsklasse II. Elektrisch gereedschap waarbij de bescherming tegen elektrische schokken niet afhankelijk is van de basisisolatie, maar waarin ook extra veiligheidsmaatregelen worden toegepast zoals dubbele of versterkte isolatie. Er is geen voorziening voor de aansluiting van een aardleiding.

 CE-keurmerk
 Nationaal symbool van overeenstemming Oekraïne
 EurAsian-symbool van overeenstemming.

TEKNIŠKE DATA

	BÅNDSAVEN	BS 125 (220 V - 240 V)	BS 125 (110 V - 120 V)
Produktionsnummer	4482 46 03.....	4482 56 03.....	4482 56 03.....
Nominel optagen effekt.....	1100 W.....	1100 W.....	1100 W.....
Omdrejningstal, ubelastet.....	0-116 m/min.....	0-116 m/min.....	0-116 m/min.....
Mål savklinge.....	1139,8 x 12,7 x 0,5 mm.....	1139,8 x 12,7 x 0,5 mm.....	1139,8 x 12,7 x 0,5 mm.....
Skæreydelse firkantprofiler.....	125 x 125 mm.....	125 x 125 mm.....	125 x 125 mm.....
Skæreydelse rør.....	Ø 125 mm.....	Ø 125 mm.....	Ø 125 mm.....
Vægt svarer til EPTA-procedure 01/2003	6,5 kg.....	6,5 kg.....	6,5 kg.....

Støjinformation

Måleværdier beregnes iht. EN 60745.		
Værktøjets A-vurderede støjniveau er typisk:		
Lydtrykniveau (Usikkerhed K=3dB(A)).....	90 dB (A).....	90,2 dB (A).....
Lydefekt niveau (Usikkerhed K=3dB(A)).....	101 dB (A).....	101,2 dB (A).....

Brug høreværn!**Vibrationsinformation**

Samlede vibrationsværdier (værdisum for tre retninger) beregnet iht. EN 60745.

Savning af metal		
Vibrationseksponering a _h	1,09 m/s ²	1,27 m/s ²
Usikkerhed K=.....	1,5 m/s ²	1,5 m/s ²

ADVARSEL

Svingningsniveauet, som er angivet i disse anvisninger, er målt i henhold til standardiseret måleprocedure ifølge EN 60745 og kan anvendes til indbyrdes sammenligning mellem el-værktøjer. Svingningsniveauet er ligeledes egnet som foreløbigt skøn over svingningsbelastningen.

Det angivne svingningsniveau er baseret på el-værktøjets primære anvendelsesformål. Hvis el-værktøjet benyttes til andre formål, med andet indsatsværktøj eller ikke vedligeholdes tilstrækkeligt, kan svingningsniveauet afvige. Dette kan øge svingningsbelastningen over den samlede arbejdsperiode betydeligt.

For en nøjagtig vurdering af svingningsbelastningen skal der også tages højde for de tidsperioder, hvor apparatet er slukket, eller hvor apparatet kører, men uden at være i anvendelse. Dette kan reducere svingningsbelastningen over den samlede arbejdsperiode betydeligt.

Supplerende sikkerhedsforanstaltninger til beskyttelse af brugeren mod påvirkninger fra svingninger skal iværksættes, f.eks.: Vedligeholdelse af el-værktøj og indsatsværktøj, varmholdelse af hænder, organisering af arbejdsprocesser.

ADVARSEL! Læs alle sikkerhedsinstruktioner og anvisninger. Hvis overholdelsen af sikkerhedsinstruktionerne og anvisningerne ignoreres, kan det medføre tilskadekomst.

Opbevar alle sikkerhedsinstruktioner og anvisninger til fremtidig brug.

SIKKERHEDSINSTRUKTIONER FOR BÅNDSAV

Hold maskinen fast i de isolerede grebflader, når du udfører arbejde, hvor der er risiko for, at skæreværktøjet kan ramme skjulte strømledninger eller værktøjets egen ledning. Kommer skæreværktøjet i kontakt med en strømførende ledning, kan maskinens metaldele komme under spænding og give elektrisk stød.

Bær høreværn. Støjpåvirkning kan bevirke tab af hørelse.

YDERLIGERE SIKKERHEDS- OG ARBEJDSINFORMATIONER

Brug beskyttelsesudstyr. Bær altid sikkerhedsbriller, når du arbejder med maskinen. Vi anbefaler desuden brug af personlig beskyttelsesudrustning, såsom støvmaske, sikkerhedshandsker, fast og skridsikkert skotøj, hjelm og høreværn.

Støv, som opstår under arbejdet, er ofte sundhedsfarligt og bør ikke trænge ind i kroppen. Benyt egnet åndedrætsværn.

Der må ikke bearbejdes nogen materialer, der kan udgøre en sundhedsrisiko (f.eks. asbest).

Sluk straks for maskinen, hvis indsatsværktøjet er blokeret! Tænd ikke for maskinen igen, så længe indsatsværktøjet er blokeret; dette kan føre til et tilbageslag med højt reaktionsmoment. Find frem til og afhjælp årsagen til indsatsværktøjets blokering under hensyntagen til sikkerhedsinstruktionerne.

Mulige årsager hertil kan være:

- at det sidder i klemme i emnet der bearbejdes
- at det har brækket materialet der bearbejdes
- at el-værktøjet er overbelastet

Grib ikke ind i maskinen, når den kører.

Indsatsværktøjet kan blive varmt under brugen.

ADVARSEL! Fare for forbrændinger

- ved værktøjsskift
- når man lægger maskinen fra sig

Spåner eller splinter må ikke fjernes, medens maskinen kører.

Tilslutningskablet holdes hele tiden væk fra maskinens arbejdsområde. Kablet ledes altid bort bag om maskinen.

Sørg for at sikre dit emne med en spændeanordning. Ikke sikrede emner kan forårsage alvorlige kvæstelser og beskadigelser.

Før ethvert arbejde ved maskinen skal stikket tages ud af stikdåsen.

Ridsede savklinger eller sådanne, som har ændret form, må ikke bruges.

Ved savning skal styrebøjlen altid lægges til arbejdsstykket.

Tænd ikke for maskinen, hvis savklingen berører materialet. Maskinen skal altid være tændt, før den føres ind i materialet.

Hvis savklingen kommer i klemme, slukkes maskinen med det samme og savklingen trækkes ud af materialet, når maskinen står stille. Tænd aldrig for maskinen, så længe savklingen berører materialet.

TILTÆNKT FORMÅL

Båndsaven kan anvendes til savning af lige snit i forskellige typer af metal, som f.eks. metalprofiler (UniStrut), rør, stolper til mørtefrit elementbyggeri, kabelkanaler, aluminiumsprofiler, blik.

Produktet må ikke anvendes på anden måde og til andre formål end foreskrevet.

CE-KONFORMITETSERKLÆRING

Vi erklærer som eneansvarlig, at det under "Tekniske data" beskrevne produkt stemmer overens med alle relevante forskrifter, der følger af direktiv 2011/65/EU (RoHS), 2014/30/EU, 2006/42/EF samt af følgende harmoniserede normative dokumenter:

EN 60745-1:2009 + A1:2010
 EN 60745-2-20:2009
 EN 55014-1:2006 + A1:2009 + A2:2011
 EN 55014-2:2015
 EN 61000-3-2:2014
 EN 61000-3-3:2013
 EN 61547:2009
 EN 55015:2013
 EN 50581:2012

Winnenden, 2017-11-30

Alexander Krug
 Managing Director



Autoriseret til at udarbejde de tekniske dokumenter.

Techtronic Industries GmbH
 Max-Eyth-Straße 10
 71364 Winnenden
 Germany

NETTILSLUTNING

Stikdåser udendørs skal være forsynet med fejlstrømssikringskontakter (FI,RCD,PRCD). Det forlanger installationsforskriften for Deres elektroanlæg. Overhold dette, når De bruger vores maskiner.

Tilslutning må kun foretages til enfaset vekselstrøm og kun til en netspænding, som er i overensstemmelse med angivelsen på mærkepladen. Tilslutning kan også ske til stikdåser uden beskyttelseskontakt, da kapslingsklasse II foreligger.

Tilslut kun maskine til stikdåsen i slukket tilstand.

VEDLIGEHODELSE

Hold altid maskinens ventilationsåbninger rene.

Hvis netttilslutningsledningen bliver beskadiget, skal den udskiftes hos kompetent kundeservice, idet dette kræver specielt værktøj.

Brug kun Milwaukee tilbehør og reservedele. Lad de komponenter, hvis udskiftning ikke er blevet beskrevet, udskifte hos Atlas Copco service (se kundeserviceadresser).

Ved opgivelse af type nr. der er angivet på maskinens effektskilt, kan de rekvirere en reservedelstegning, ved henvendelse til: Techtronic Industries GmbH, Max-Eyth-Straße 10, 71364 Winnenden, Germany.

SYMBOLER

VIGTIGT! ADVARSEL! FARE!



Før ethvert arbejde ved maskinen skal stikket tages ud af stikdåsen.



Læs brugsanvisningen nøje før ibrugtagning.



Hold hænderne væk fra roterende dele.



Når der arbejdes med maskinen, skal man have beskyttelsesbriller på.



Brug beskyttelseshandsker!



Elektrisk udstyr må ikke bortskaffes sammen med det almindelige husholdningsaffald. Elektrisk og elektronisk udstyr skal indsamles særskilt og afleveres hos en genbrugsvirksomhed til en miljømæssig forsvarlig bortskaffelse. Spørg de lokale myndigheder eller din forhandler om genbrugsstationer og indsamlingssteder til sådant affald.



Kapslingsklasse II elværktøj. Elværktøj, hvor beskyttelsen mod et elektrisk stød ikke kun afhænger af basisisoleringen men også af, at der anvendes yderligere beskyttelsesforanstaltninger som dobbelt isolering eller forstærket isolering. Der findes ikke udstyr til tilslutning af en beskyttelsesleder.



CE-mærke



Nationalt overensstemmelsesmærke Ukraine



EurAsian overensstemmelsesmærke.

TEKNISKE DATA	BÅNDSAGEN	BS 125 (220 V - 240 V)	BS 125 (110 V - 120 V)
Produksjonsnummer.....	4482 46 03.....	4482 56 03.....	4482 56 03.....
Nominell inngangseffekt	1100 W.....	1100 W.....	1100 W.....
Tomgangsturtall	0-116 m/min.....	0-116 m/min.....	0-116 m/min.....
Mål sagblad	1139,8 x 12,7 x 0,5 mm.....	1139,8 x 12,7 x 0,5 mm.....	1139,8 x 12,7 x 0,5 mm.....
Skjæreytelse rektangel profiler.....	125 x 125 mm.....	125 x 125 mm.....	125 x 125 mm.....
Skjæreytelse rør	∅ 125 mm.....	∅ 125 mm.....	∅ 125 mm.....
Vekt i henhold til EPTA-Prosedyren 01/2003	6,5 kg.....	6,5 kg.....	6,5 kg.....

Støyinformasjon

Måleverdier fastslått i samsvar med EN 60 745.

Det typiske A-bedømte støynivået for maskinen er:

Lydtryknivå (Usikkerhet K=3dB(A)).....	90 dB (A).....	90,2 dB (A).....
Lydefektnivå (Usikkerhet K=3dB(A)).....	101 dB (A).....	101,2 dB (A).....

Bruk hørselsvern!

Vibrasjonsinformasjoner

Totale svingningsverdier (vektorsum fra tre retninger) beregnet jf. EN 60745.

Saging av metall

Svingningsemissionsverdi a_h	1,09 m/s ²	1,27 m/s ²
Usikkerhet K=.....	1,5 m/s ²	1,5 m/s ²

ADVARSEL

Svingningsnivået som er angitt i denne instruksjonen er målt i overensstemmelse med målemetoden normert i direktiv EN 60745 og kan brukes til å sammenligne elektromaskiner med hverandre. Den egner seg også for en foreløbig vurdering av svingningsbelastningen.

Det angitte svingningsnivået representerer de hovedsaklige bruk av elektroverktøyet. Men anvendes elektroverktøyet for andre bruk med avvikende utskiftbare verktøy eller vedlikeholdet er utilstrekkelig, kan svingningsnivået være avvikende.

Dette kan forhøye svingningsbelastning betydelig over hele arbeidsperioden. For en nøyaktig vurdering av svingningsbelastningen må også det tas hensyn til tiden apparatet er avslått eller står på, men ikke er i bruk. Dette kan redusere svingningsbelastningen betydelig over hele arbeidsperioden.

Innfør også ekstra sikkerhetstiltak for å beskytte brukeren mot utvirkningen av svingningene. Disse kan f.eks. være: vedlikehold av elektroverktøyet og det utskiftbare verktøyet, holde hendene varme, organisasjon av arbeidsforløpet.

▲ OBS! Les alle sikkerhetsinstruksjoner og anvisninger. Forsømmelser i overholdelsen av sikkerhetsinstruksjoner og anvisninger kan føre til skader. **Oppbevar alle sikkerhetsinstruksjoner og anvisninger for fremtiden.**

▲ SIKKERHETSINSTRUKSJONER FOR BÅNDSAG

Hold apparatet i de isolerte holdeflatene, når det arbeides på steder hvor elektroverktøyet kan treffe skjulte strømledninger eller verktøyets egen kabel. Kontakt med en ledning som er under spenning, kan også sette metalldele til apparatet under spenning og føre til et elektrisk slag.

Bruk hørselsvern. Støy kan føre til tap av hørselen

YTTERLIGE SIKKERHETS- OG ARBEIDSIKSTRUKSJONER

Bruk vernebekledning. Ta alltid på vernebrille ved bruk av maskinen. Vernebekledning så vel som støvmaske, vernehansker, fast og sklissikkert skotøy, hjem og hørselsvern er anbefalt.

Støvet som oppstår ved arbeidet er ofte helsefarlig og skal ikke komme i kontakt med kroppen. Bruk derfor vernemaske som er egnet for støv.

Materialer som er helsefarlig skal ikke bearbeides (f.eks. asbest)

Slå av apparatet med en gang dersom det isatte verktøyet er blokkert! Ikke slå apparatet på igjen så lenge det isatte verktøyet er blokkert; her kan det oppstå et tilbakeslag med høyt reaksjonsmoment. Finn ut hvorfor det isatte verktøyet blokkerer og fjern årsaken til dette. Ta herved hensyn til sikkerhetsinstruksjonene.

Mulige årsaker til dette kan være:

- det har forkantet seg i arbeidsemnet som bearbeides

- det har brekt igjennom materialet som bearbeides
- elektroverktøyet er overbelastet

Ikke grip inn i maskinen når den står på og går.

Isatt verktøy kan i bruk bli veldig varmt.

ADVARSEL! Fare for forbrønning

- ved skifting av verktøy
- når apparatet legges ned

Spon eller fliser må ikke fjernes mens maskinen er i gang.

Hold ledningen alltid vekk fra maskinens virkeområde. Før ledningen alltid bakover fra maskinen.

Klem fast arbeidsemnet med en spenninnetning. Ikke sikrede arbeidsemner kan ha alvorlige helseskader og skader av material til følge.

Trekk støpslet ut av stikkkontakten før du begynner arbeider på maskinen.

Sagblad som har sprekker eller som har endret form må ikke brukes!

Plasser styrebøylen alltid mot emnet når du sager.

Maskinen må ikke kobles inn dersom sagbladet berører materialet. Slå først på maskinen og sag deretter i materialet.

Hvis sagbladet klemmes fast, må sagen straks slås av og maskinen trekkes ut av materialet etter at sagbladet er stanset. Maskinen må ikke kobles inn dersom sagbladet fremdeles berører materialet.

FORMÅLSMESSIG BRUK

Båndsagen kan brukes til å sage rettlinjert snitt i forskjellige typer metall, som f.eks. Metallprofiler (UniStrut), rør, tørrbyggstativ, kabelkanaler, aluminiumprofiler, metallplater. Dette apparatet må kun brukes til de oppgitte formål.

CE-SAMSVARERKLÆRING

Vi erklærer i alene ansvar at produktet beskrevet i "Teknisk data" overensstemmer med alle relevante forskrifter til Eu direktiv 2011/65/EU (RoHS), 2014/30/EU, 2006/42/EF og de følgende harmoniserte normative dokumentene.

EN 60745-1:2009 + A11:2010
 EN 60745-2-20:2009
 EN 55014-1:2006 + A1:2009 + A2:2011
 EN 55014-2:2015
 EN 61000-3-2:2014
 EN 61000-3-3:2013
 EN 61547:2009
 EN 55015:2013
 EN 50581:2012

Winnenden, 2017-11-30

Alexander Krug

Alexander Krug
 Managing Director



Autorisert til å utarbeide den tekniske dokumentasjonen

Techronic Industries GmbH
 Max-Eyth-Straße 10
 71364 Winnenden
 Germany

NETTLIKOPLING

Stikkontakter utendørs må være utstyrt med feilstrøm-sikkerhetsbryter (FI, RCD, PRCD). Dette forlanges av installasjonsforskriften for elektroanlegg. Vennligst følg dette når du bruker vårt apparat.

Skal bare tilsluttes enfasevekselstrøm og bare til den på skiltet angitte nettspenning. Tilslutning til stikkontakter uten jordet kontakt er mulig fordi beskyttelse beskyttelsesklasse II er forhanden.

Påse at maskinen er slått av når du setter inn nettstøpset i stikkkontakten.

VEDLIKEHOLD

Hold alltid luftenåpningene på maskinen rene.

Er det skade på nettkabelen, må den skiftes av kundeservice, fordi det behøves spesialverktøy.

Bruk kun Milwaukee tilbehør og reservedeler. Komponenter der utskifting ikke er beskrevet skal skiftes ut hos Milwaukee kundeservice (se brosjyre garanti/ kundeserviceadresser).

Ved behov kan du be om en eksplosjonstegning av apparatet hos din kundeservice eller direkte hos Tronic Industries GmbH, Max-Eyth-Straße 10, 71364 Winnenden, Germany. Oppgi maskintype og det nummeret på typeskiltet.

SYMBOLER



OBS! ADVARSEL! FARE!



Trekk støpslet ut av stikkkontakten før du begynner arbeider på maskinen.



Les nøye gjennom bruksanvisningen før maskinen tas i bruk.



Hold hendene borte fra roterende deler.



Bruk alltid vernebrille når du arbeider med maskinen.



Bruk vernehansker !



Elektriske apparat skal ikke kastes sammen med vanlig husholdningsavfall. Elektriske og elektroniske apparat skal samles separat og leveres til miljøvennlig deponering til en avfall bedrift. Informer deg hos myndighetene på stedet eller hos din fagforhandler hvor det finnes recycling bedrifter oppsamlingssteder.



Elektroverktøy av verneklasse II. Elektroverktøy hvor beskyttelse mot elektrisk slag ikke bare er avhengig av basisisoleringen, men som også er avhengig av at tilleggs vernetiltak som dobbelt eller forsterket isolering blir brukt. Det finnes ingen innretning for tilkobling av en beskyttelsesleder.



CE-tegn



Nasjonalt Konformitetstegn Ukraina



EurAsian Konformitetstegn.

TEKNISKA DATA	BÄNDSAGEN	BS 125 (220 V - 240 V)	BS 125 (110 V - 120 V)
Produktionsnummer	4482 46 03.....	4482 56 03.....	4482 56 03.....
Nominell upptagen effekt.....	1100 W.....	1100 W.....	1100 W.....
Tomgångsvarvtal, obelastad.....	0-116 m/min.....	0-116 m/min.....	0-116 m/min.....
Dimensioner sågklina	1139,8 x 12,7 x 0,5 mm.....	1139,8 x 12,7 x 0,5 mm.....	1139,8 x 12,7 x 0,5 mm.....
Skäreffekt fyrkantiga profiler.....	125 x 125 mm.....	125 x 125 mm.....	125 x 125 mm.....
Skäreffekt rör.....	∅ 125 mm.....	∅ 125 mm.....	∅ 125 mm.....
Vikt enligt EPTA 01/2003	6,5 kg.....	6,5 kg.....	6,5 kg.....

Bullerinformation

Mätvärdena har tagits fram baserade på EN 60 745.

A-värdet av maskinens ljudnivå utgörs:

Ljudtrycksnivå (Onoggrannhet K=3dB(A)).....	90 dB (A).....	90,2 dB (A).....
Ljudeffektsnivå (Onoggrannhet K=3dB(A)).....	101 dB (A).....	101,2 dB (A).....

Använd hörselskydd!

Vibrationsinformation

Totala vibrationsvärden (vektorsumma ur tre riktningar) framtaget enligt EN 60745.

Sågning i metall

Vibrationsemissionsvärde a_h	1,09 m/s ²	1,27 m/s ²
Onoggrannhet K=.....	1,5 m/s ²	1,5 m/s ²

VARNING

Den i de här anvisningarna angivna vibrationsnivån har uppmätts enligt ett i EN 60745 normerat mätförfarande och kan användas vid jämförelse mellan olika elverktyg. Nivån är även lämplig att använda vid en preliminär bedömning av vibrationsbelastningen.

Den angivna vibrationsnivån representerar den huvudsakliga användningen av det aktuella elverktyget. Men om elverktyget ska användas i andra användningsområden, tillsammans med avvikande insatsverktyg eller efter otillräckligt underhåll, kan vibrationsnivån skilja sig. Det kan öka vibrationsbelastningen betydligt under hela arbetstiden.

För att få en exaktare bedömning av vibrationsbelastningen ska även den tid beaktas, under vilken elverktyget är avstängt eller är påslaget, utan att det verkligen används. Det kan reducera vibrationsbelastningen betydligt under hela arbetstiden.

Lägg som skydd för användaren fast extra säkerhetsåtgärder mot vibrationernas verkan, som till exempel: underhåll av elverktyg och insatsverktyg, varmhållning av händer och organisering av arbetsförlopp.

⚠️ WARNING! Läs noga igenom alla säkerhetsanvisningar och instruktioner. Om du inte beaktar säkerhetsanvisningarna och instruktionerna finns risk att du skadar dig.
Förvara säkerhetsanvisningarna och instruktionerna väl så att du alltid har de tillhands.

⚠️ SÄKERHETSANVISNINGAR FÖR BÄNDSÅG

Håll fast apparaten med hjälp av de isolerade greppytorna när du utför arbeten där arbetsverktyget skulle kunna träffa på dolda elledningar eller kablar. Om man kommer i kontakt med en spänningsförande ledning, så kan även de delar på verktyget som är av metall bli spänningsförande och leda till att man får en elektrisk stöt.

Bär hörselskydd. Bullerbelastning kan orsaka hörselskador.

ÖVRIGA SÄKERHETS- OCH ANVÄNDNINGSinSTRUKTIONER

Använd skyddsutrustning. Använd alltid skyddsglasögon när du använder maskinen. Som skyddsutrustning rekommenderar vi t ex en dammskyddsmask, skyddshandskar, stabila och halksäkra skor, hjälm och hörselskydd.

Det damm som bildas under arbetets gång är ofta hälsofarligt och det ska inte komma in i kroppen. Bär därför lämplig skyddsmask.

Det är inte tillåtet att bearbeta material som kan vara hälsovådligt (t.ex. asbest).

Stäng av maskinen omedelbart om ett verktyg som används sitter fast! Sätt sedan inte på maskinen igen så länge som verktyget som används fortfarande sitter fast; risk för okontrollerade slag med högt reaktionsmoment. Ta reda på

orsaken varför verktyget fastnade och åtgärda orsaken med hänsyn till säkerhetsanvisningarna.

Möjliga orsaker kan vara:

- Verktyget sitter snett i arbetsstycket
- Verktyget går igenom materialet som bearbetas
- Elverktyget är överbelastat

Gå aldrig med händerna in i en maskin som är igång.

Verktyget som används kan bli mycket varmt under användningen.

WARNING! Risk för brännskador

- vid verktygsbyte
- när man lägger ifrån sig maskinen

Avlägsna aldrig spån eller flisor när maskinen är igång.

Nätkabeln skall alltid hållas ifrån arbetsområdet. Lägg kabeln bakåt i förhållande till arbetsriktningen.

Säkra arbetsstycket med en fastspänningsanordning. Arbetsstycken som inte är ordentligt fastspända kan leda till allvarlig kroppsskada eller annan skada.

Drag alltid ur kontakten när du utför arbeten på maskinen.

Spruckna sågklingar eller sådana som förändrat form får ej användas!

Vid sågning skall alltid styrbygeln ligga an mot arbetsstycket.

Starta inte med klingan mot arbetsstycket. Vänta tills klingan nått fullt varvtal innan du påbörjar kapningen.

Om klingan kniper eller om du gör ett uppehåll av någon anledning, släpp strömbrytaren och håll maskinen stilla i materialet tills klingan stannat helt. Återstarta aldrig maskinen med klingan i kontakt med arbetsstycket.

ANVÄND MASKINEN ENLIGT ANVISNINGARNA

Bändsagen kan användas för rak kapning i olika typer av metall som t ex metallprofiler (UniStrut), rör, metallstänger, kabelkanaler, aluminiumprofiler, plåtar.

Maskinen får endast användas för angiven tillämpning.

CE-FÖRSÄKRAN

Vi intygar och ansvarar för att den produkt som beskrivs under "Tekniska data" överensstämmer med alla relevanta bestämmelser i direktiv 2011/65/EU (RoHS), 2014/30/EU, 2006/42/EG och följande harmoniserade normerande dokument:

EN 60745-1:2009 + A1:2010
EN 60745-2-20:2009
EN 55014-1:2006 + A1:2009 + A2:2011
EN 55014-2:2015
EN 61000-3-2:2014
EN 61000-3-3:2013
EN 61547:2009
EN 55015:2013
EN 50581:2012

Winnenden, 2017-11-30

Alexander Krug

Alexander Krug
Managing Director



Befullmäktigad att sammanställa teknisk dokumentation.

Techtronic Industries GmbH

Max-Eyth-Straße 10

71364 Winnenden

Germany

NÄTANSLUTNING

Anslut alltid verktyget till via en felströmbrytare (FI, RCD, PRCD) vid användning utomhus.

Får endast anslutas till 1-fas växelström och till den spänning som anges på dataskylden. Anslutning kan även ske till eluttag utan skyddskontakt, eftersom konstruktionen motsvarar skyddsklass II.

Maskinen skall vara fränslagen när kontakten anslutes till vägguttaget.

SKÖTSEL

Se till att motorhöljets luftslitsar är rena.

Om nätkabeln är skadad, måste den bytas ut på en godkänd serviceverkstad, då det krävs specialverktyg för detta.

Använd endast Milwaukee tillbehör och reservdelar. Reservdelar vars utbyte ej beskrivs byts bäst av Milwaukee auktoriserad serviceverkstad (se broschyr Garanti/ Kundtjänstadresser).

Vid behov av sprängskiss, kan en sådan, genom att uppge maskinens art. nr. (som finns på typskylten) erhållas från: Techtronic Industries GmbH, Max-Eyth-Straße 10, 71364 Winnenden, Germany.

SYMBOLER



OBSERVERA! VARNING! FARA!



Drag alltid ur kontakten när du utför arbeten på maskinen.



Läs instruktionen noga innan du startar maskinen.



Håll händerna borta från roterande delar.



Använd alltid skyddsglasögon.



Bär skyddshandskar!



Elektriska maskiner och elverktyg som kasseras får inte slängas tillsammans med de vanliga hushållsoporna. Elektriska maskiner och verktyg samt elektronisk utrustning som kasseras ska samlas separat och lämnas till en avfallsstation för miljövänlig avfallshantering. Kontakta den lokala myndigheten respektive kommunen eller fråga återförsäljare var det finns speciella avfallsstationer för elskrot.



Elverktyg skyddsklass II. Elverktyg hos vilket skyddet mot elstötar inte bara är avhängigt av basisoleringen utan också av att det finns extra skyddsåtgärder, som en dubbel isolering eller en förstärkt isolering. Det finns ingen anordning för anslutning av en skyddsledare.



CE-symbol



Nationell symbol för överensstämmelse Ukraine



EurAsian överensstämmelsesymbol.

TEKNISET ARVOT	VANNESAHA	BS 125 (220 V - 240 V)	BS 125 (110 V - 120 V)
Tuotantonumero	4482 46 03.....	4482 56 03.....	4482 56 03.....
Nimellinen teho	1100 W	1100 W	1100 W
Kuormittamaton kierrosluvu	0-116 m/min.....	0-116 m/min.....	0-116 m/min.....
Sahanterän mitat	1139,8 x 12,7 x 0,5 mm	1139,8 x 12,7 x 0,5 mm	1139,8 x 12,7 x 0,5 mm
Suurin leikkausteho suorakulmaiset profiilit	125 x 125 mm	125 x 125 mm	125 x 125 mm
Suurin leikkaustehoputket	Ø 125 mm	Ø 125 mm	Ø 125 mm
Paino EPTA-menettelyn 01/2003 mukaan	6,5 kg.....	6,5 kg.....	6,5 kg.....

Melunpäästötiedot

Mitta-arvot määritetty EN 60 745 mukaan.

Koneen tyyppilinen A-luokitettu melutaso:

Melutaso (Epävarmuus K=3dB(A)).....	90 dB (A)	90,2 dB (A)
Äänenvoimakkuus (Epävarmuus K=3dB(A)).....	101 dB (A)	101,2 dB (A)

Käytä kuulosuojaimia!

Tärinätiedot

Värähtelyn yhteisarvot (kolmen suunnan vektorisummitattuna EN 60745 mukaan.

Metallin sahaaminen

Värähtelyemissioarvo a _h	1,09 m/s ²	1,27 m/s ²
Epävarmuus K=.....	1,5 m/s ²	1,5 m/s ²

VAROITUS

Näissä ohjeissa mainittu värähtelytaso on mitattu EN 60745 -standardin mukaisella mittausmenetelmällä ja sitä voidaan käyttää sähkötyökalujen vertaamiseen. Sitä voidaan käyttää myös värähtelyrasituksen väliaikaiseen arviointiin.

Mainittu värähtelytaso edustaa sähkötyökalun pääasiallista käyttöä. Jos sähkötyökalua kuitenkin käytetään muihin tehtäviin, poikkeavin työkaluun tai riittämättömästi huoltoen, värähtelytaso voi olla erilainen. Se voi korottaa värähtelyrasitusta koko työajan osalta.

Tarkan värähtelyrasituksen toteamiseen tulee ottaa huomioon aika, jona laite on kytketty pois tai on kylläkin päällä, mutta ei käytössä. Se voi pienentää värähtelyrasitusta koko työajan osalta.

Määrittele lisäturvatoimenpiteitä käyttäjän suojaamiseksi värinöiden vaikutukselta, kuten esimerkiksi: sähkötyökalujen ja käyttötyökalujen huolto, käsien lämpiminä pitäminen, työvaiheiden organisaatio.

VAROITUS! Lue kaikki turvallisuusmääräykset ja ohjeet. Turvallisuusmääräysten tai ohjeiden noudattamatta jättämisestä saattaa aiheutua tapaturmia. Säilytä kaikki turvallisuusmääräykset ja ohjeet myöhempiä tarvetta varten.

VANNESAHAHAN TURVALLISUUSOHJEET

Pitele laitetta vain eristetyistä tarttumapinnoista, kun suoritat sellaisia töitä, joissa leikkaustyökalu saattaa osua piilossa oleviin sähköjohtoihin tai omaan liitäntäjohtoon. Leikkaustyökalun yhteys jännitteelliseen johtoon saattaa tehdä laitteen metalliset osat jännitteellisiksi ja aiheuttaa sähköiskun.

Käytä korvasuojia. Altistuminen melulle voi vahingoittaa kuuloa.

TÄYDENTÄVIÄ TURVALLISUUSMÄÄRÄYKSIÄ JA TYÖSKENTELYOHJEITA

Käytä suojavarusteita. Käytä aina suojalaseja käytätessäsä konetta. Suosittelemme suojavarusteiden käyttöä, näihin kuuluvat pölysuojanaamarit, työkasineet, tukevat, luistamattomat jalkineet, kypärä ja kuulosuojukset.

Koneen käytöstä aiheutuva pöly ja jäte voi olla haitallista terveydelle eikä sen vuoksi tulisi päästä kosketukseen ihon kanssa. Koneella työskennellessä on käytettävä sopivaa suojainta.

Terveydellisiä vaaroja aiheuttavien materiaalien (esim. asbestin) työstäminen on kielletty.

Jos käytetty työkalu juuttuu kiinni, sammuta laite heti! Älä kytke laitetta uudelleen päälle työkalun ollessa vielä kiinni juuttuneena, koska tästä saattaa aiheutua voimakas takaisku. Selvitä työkalun juuttumisen syy ja poista syy turvallisuusmääräyksiä noudattaen.

Mahdollisia syitä voivat olla:

- työkalun vinoutuminen työstökappaleessa
- työstetyn materiaalin puhkaisu
- sähkötyökalun ylikuormitus

Älä tartu käynnissä olevan koneen työosiin.

Käytetty työkalu saattaa kuumeta käytön aikana.

VAROITUS! Palovamman vaara

- työkalua vaihdettaessa
- laitetta pois laskettaessa

Lastuja tai puruja ei saa poistaa koneen käydessä.

Pidä sähköjohto poissa koneen käyttöalueelta. Siirrä se aina taaksesi.

Varmista työstökappaleesi kiinnitysliitteellä paikalleen. Varmistamattomat työstökappaleet saattavat aiheuttaa vakavia vammoja ja vaurioita.

Irota aina pistotulppa seinäkoskettimesta ennen koneeseen tehtäviä toimenpiteitä.

Rikkinäisiä sahanteriä tai sellaisia, jotka ovat muuttaneet muotoaan ei saa käyttää!

Pidä sahaustuki aina työkalua vasten.

Älä käynnistä konetta sahanterän ollessa kosketuksessa työkappaleeseen. Odota, että terä on saavuttanut täyden nopeuden, ennen sahauksen aloittamista.

Mikäli terää puristaa tai jos keskeytät sahauksen, päästä liipaisin ja odota, kunnes terä on kokonaan pysähtynyt. Älä käynnistä konetta uudelleen, terän ollessa kiinni työkappaleessa.

TARKOITUKSEN MUKAINEN KÄYTTÖ

Vannesahaa voidaan käyttää suoraviivaisten leikkausten tekemiseen eri metallityyppeihin, kuten esim. metalliprofiileihin (UniStrut), putkiin, kuivarakennustelineisiin, kaapelikanaviin, alumiiniprofiileihin, pelteihin.

Älä käytä tuotetta ohjeiden vastaisesti.

TODISTUS CE-STANDARDIN MUKAISUUDESTA

Vakuutamme yksinvastuullisesti, että kohdassa "Tekniset tiedot" kuvattu tuote vastaa kaikkia sitä koskevia direktiivien 2011/65/EU (RoHS), 2014/30/EU, 2006/42/EY määräyksiä sekä seuraavia harmonisoituja standardisoivia asiakirjoja:

EN 60745-1:2009 + A1:2010
 EN 60745-2-20:2009
 EN 55014-1:2006 + A1:2009 + A2:2011
 EN 55014-2:2015
 EN 61000-3-2:2014
 EN 61000-3-3:2013
 EN 61547:2009
 EN 55015:2013
 EN 50581:2012

Winnenden, 2017-11-30

Alexander Krug

Alexander Krug
Managing Director



Vaituutettu kokoamaan tekniset dokumentit.

Techtronic Industries GmbH

Max-Eyth-Straße 10

71364 Winnenden

Germany

VERKKOLIITÄNTÄ

Ulkokäytössä olevat pistorasiat on varustettava vikavirta-suojakytkimillä (FI, RCD PRCD) sähkölaitteistosi asennusmääräyksen mukaisesti. Muista tarkistaa, että laite liitetään ulkokäytössä ulkopistorasiaan ja neuvottele asiasta sähköasentajasi kanssa.

Yhdistä ainoastaan yksivaiheiseen vaihtovirtaan, jonka verkkojännite on sama kuin tyyppikilvessä ilmoitettu. Myös liittäminen maadoittamattomiin pistorasioihin on mahdollista, sillä rakenne vastaa turvallisuusluokkaa II.

Laitteen käynnistyskytkin on oltava 0- asennossa, kun tulppa työnnetään pistorasiaan.

HUOLTO

Pidä moottorin ilmanottoaukut puhtaina.

Jos verkkoliitäntäjohto on vioittunut, niin huoltopalvelun täytyy vaihtaa se uuteen, koska vain heillä on tähän tarvittavat erikoistyökalut.

Käytä vain Milwaukee:n lisälaitteita ja varaosia. Käytä ammattitaitoisten Milwaukee-huoltosopimusliikkeiden palveluja muiden kuin käyttöohjeessa kuvattujen osien vaihdossa. (esite takuu/huoltoliikeluettelo).

Tarpeen vaatiessa voit pyytää lähettämään laitteen kokoonpanopiirustuksen ilmoittamalla arvokilven numeron seuraavasta osoitteesta: Techtronic Industries GmbH, Max-Eyth-Straße 10, 71364 Winnenden, Germany.

SYMBOLIT



HUOMIO! VAROITUS! VAARA!



Irrrota aina pistotulppa seinäkoskettimesta ennen koneeseen tehtäviä toimenpiteitä.



Lue käyttöohjeet huolellisesti, ennen koneen käynnistämistä.



Pidä kätesi poissa pyörivistä osista.



Käytä laitteella työskennellessäsi aina suojalaseja.



Käytä suojakäsineitä!



Sähkölaitteita ei saa hävittää yhdessä kotitalousjätteiden kanssa. Sähkö- ja elektroniset laitteet tulee kerätä erikseen ja toimittaa kierrätysliikkeeseen ympäristöystävällistä hävittämistä varten. Pyydä paikallisilta viranomaisilta tai alan kauppiailta tarkemmat tiedot kierrätyspisteistä ja keräyspaikoista.



Suojaluokan II sähkötyökalu. Sähkötyökalu, jonka sähköiskunsuojaus ei ole riippuvainen ainoastaan peruseristyksestä, vaan myös siitä, että käytetään lisäturvatoimia, kuten yksinkertaista eristystä tai vahvistettua eristystä. Laitteessa ei ole suojojohtimen liittämiseen tarvittavia varusteita.



CE-merkki



Kansallinen standardinmukaisuusmerkki Ukraina



EurAsian-vaatimustenmukaisuusmerkki.

ΤΕΧΝΙΚΑ ΣΤΟΙΧΕΙΑ	ΠΡΙΟΝΙ	BS 125 (220 V - 240 V)	BS 125 (110 V - 120 V)
Αριθμός παραγωγής.....	4482 46 03.....	4482 56 03...	4482 56 03...
	...000001-999999	...000001-999999	...000001-999999
Ονομαστική ισχύς.....	1100 W.....	1100 W.....	1100 W.....
Αριθμός στρωφών χωρίς φορτίο.....	0-116 m/min.....	0-116 m/min.....	0-116 m/min.....
Διαστάσεις λάμας.....	1139,8 x 12,7 x 0,5 mm.....	1139,8 x 12,7 x 0,5 mm.....	1139,8 x 12,7 x 0,5 mm.....
μεγ. ισχύς κοπής ορθογώνια προφίλ.....	125 x 125 mm.....	125 x 125 mm.....	125 x 125 mm.....
μεγ. ισχύς κοπής Σωλήνες.....	∅ 125 mm.....	∅ 125 mm.....	∅ 125 mm.....
Βάρος σύμφωνα με τη διαδικασία ΕΡΤΑ 01/2003.....	6,5 kg.....	6,5 kg.....	6,5 kg.....

Πληροφορίες θορύβου
 Τιμές μέτρησης εξακριβωμένες κατά EN 60 745.
 Η σύμφωνη με την καμπύλη Α εκτιμηθείσα στάθμη θορύβου του μηχανήματος αναφέρεται σε:
 Στάθμη ηχητικής πίεσης (Ανασφάλεια K=3dB(A))..... 90 dB (A)..... 90,2 dB (A)
 Στάθμη ηχητικής ισχύος (Ανασφάλεια K=3dB(A))..... 101 dB (A)..... 101,2 dB (A)

Φοράτε προστασία ακοής (ωτοασπίδες)!
Πληροφορίες δονήσεων
 Υλικές τιμές κραδασμών (άθροισμα διανυσμάτων τριών διευθύνσεων) εξακριβώθηκαν σύμφωνα με τα πρότυπα EN 60745.
 Πριόνισμα μετάλλων
 Τιμή εκπομπής δονήσεων a_h..... 1,09 m/s²..... 1,27 m/s²
 Ανασφάλεια K=..... 1,5 m/s²..... 1,5 m/s²

ΠΡΟΕΙΔΟΠΟΙΗΣΗ
 Το αναφερόμενο σ' αυτές τις οδηγίες επίπεδο δονήσεων έχει μετρηθεί με μια τυποποιημένη σύμφωνα με το EN 60745 μέθοδο μέτρησης και μπορεί να χρησιμοποιηθεί για τη σύγκριση των ηλεκτρικών εργαλείων μεταξύ τους. Αυτό είναι επίσης κατάλληλο για μια προσωρινή εκτίμηση της επιβάρυνσης των δονήσεων.
 Το αναφερόμενο επίπεδο δονήσεων αντιπροσωπεύει τις κύριες χρήσεις του ηλεκτρικού εργαλείου. Εάν όμως το ηλεκτρικό χρησιμοποιείται σε άλλες χρήσεις, με διαφορετικά εργαλεία εφαρμογής ή ανεπαρκή συντήρηση, μπορεί να υπάρξει απόκλιση του επιπέδου δονήσεων. Αυτό μπορεί να αυξήσει σημαντικά την επιβάρυνση των δονήσεων για τη συνολική διάρκεια της εργασίας.
 Για μια ακριβή εκτίμηση της επιβάρυνσης των δονήσεων οφείλουν επίσης να λαμβάνονται υπόψη οι χρόνοι, στους οποίους η συσκευή είναι απενεργοποιημένη ή είναι μεν ενεργοποιημένη αλλά δεν χρησιμοποιείται πραγματικά. Αυτό μπορεί να μειώσει σημαντικά την επιβάρυνση των δονήσεων για τη συνολική διάρκεια της εργασίας.
 Καθορίζετε πρόσθετα μέτρα ασφαλείας για την προστασία του χειριστή από την επίδραση των δονήσεων όπως για παράδειγμα: Συντήρηση του ηλεκτρικού εργαλείου και των εργαλείων εφαρμογής, διατηρείτε ζεστά τα χέρια, οργάνωση των διαδικασιών εργασίας.

⚠ ΠΡΟΕΙΔΟΠΟΙΗΣΗ! Διαβάστε όλες τις οδηγίες ασφαλείας και τις υποδείξεις. Η αμέλεια κατά την τήρηση των οδηγιών ασφαλείας και των υποδείξεων μπορούν να οδηγήσουν σε τραυματισμούς.
Φυλάξτε όλες τις οδηγίες ασφαλείας και τις υποδείξεις για μελλοντική χρήση.

⚠ ΟΔΗΓΙΕΣ ΑΣΦΑΛΕΙΑΣ ΓΙΑ ΠΡΙΟΝΙΑ ΤΑΙΝΙΑΣ
Να πιάνετε τη συσκευή στις μονωμένες χειρολαβές όταν εκτελείτε εργασίες κατά τις οποίες τα κοπτικά εργαλεία θα μπορούσαν να πέσουν επάνω σε κρυμμένα καλώδια ρεύματος ή στο δικό της καλώδιο. Η επαφή των κοπτικών εργαλείων με αγωγό τροφοδοσίας τάσης μπορεί να θέσει τα μεταλλικά τμήματα της συσκευής υπ' όψιν και να προκαλέσει ηλεκτροπληξία.
Φοράτε ωτοασπίδες. Η επίδραση θορύβου μπορεί να προκαλέσει απώλεια ακοής.

ΠΕΡΑΙΤΕΡΩ ΟΔΗΓΙΕΣ ΑΣΦΑΛΕΙΑΣ ΚΑΙ ΧΡΗΣΕΩΣ
 Χρησιμοποιείτε προστατευτικό εξοπλισμό. Κατά την εργασία με τη μηχανή φοράτε πάντα προστατευτικά γυαλιά.
 Συνιστούμε επίσης προστατευτική ενδυμασία όπως επίσης μάσκα προστασίας αναπνοής, προστατευτικά γάντια, σταθερά και ασφαλή στην ολίσθηση υποδήματα, κράνος και ωτοασπίδες.
 Η σκόνη που δημιουργείται κατά την εργασία είναι συχνά επιβλαβής για την υγεία και δεν επιτρέπεται να έλθει στο σώμα. Να φοράτε κατάλληλη μάσκα προστασίας από σκόνη.
 Μην επεξεργάζεστε επικίνδυνα για την υγεία υλικά (π.χ. αμιάντος).
 Σε περίπτωση μπλοκαρίσματος της αρίδας απενεργοποιείτε αμέσως τη συσκευή! Μην ενεργοποιείτε

εκ νέου τη συσκευή όσο η αρίδα είναι μπλοκαρισμένη. Σ' αυτή τη περίπτωση θα μπορούσε να προκύψει υψηλή ροπή αντίδρασης. Βρείτε την αιτία του μπλοκαρίσματος της αρίδας και ξεμπλοκάρτε την λαμβάνοντας υπόψη τις οδηγίες ασφαλείας.
 Πιθανές αιτίες:
 • Η αρίδα μάγκωσε με το προς κατεργασία κομμάτι.
 • Σπάσιμο του προς κατεργασία υλικού.
 • Υπερφόρτωση του ηλεκτρικού εργαλείου.



Μην απλώνετε τα χέρια σας στην επικίνδυνη περιοχή της μηχανής όταν είναι σε λειτουργία.
 Η θερμοκρασία της αρίδας μπορεί να φτάσει σε υψηλά επίπεδα κατά τη λειτουργία.
ΠΡΟΕΙΔΟΠΟΙΗΣΗ! Κίνδυνος εγκαύματος
 • κατά την αλλαγή εργαλείου (αρίδας)
 • κατά την απόθεση της συσκευής
 Τα γρέζια ή οι σκλήθρες δεν επιτρέπεται να απομακρύνονται όσο η μηχανή βρίσκεται σε λειτουργία.
 Κρατάτε το καλώδιο σύνδεσης πάντοτε μακριά από την περιοχή δράσης της μηχανής. Περνάτε το καλώδιο πάντοτε πίσω από τη μηχανή.
 Ασφαλίστε το προς κατεργασία κομμάτι στη μέγνη ή με μια άλλη διάταξη στερέωσης. Μη ασφαλισμένα προς κατεργασία κομμάτια μπορεί να προκαλέσουν σοβαρούς τραυματισμούς και ζημιές.

Πριν από κάθε εργασία στη μηχανή τραβάτε το φως από την πρίζα.
 Οι ραγισμένες πριονόλαμες (πριονόδοσκοι) ή αυτές που έχουν παραμορφωθεί δεν επιτρέπεται να χρησιμοποιηθούν! Κατά το πριόνισμα ακουμπάτε το βραχίονα οδήγησης πάντοτε στο επεξεργαζόμενο κομμάτι.

Μην ενεργοποιείτε τη μηχανή, όταν η λεπίδα πριονιού αγγίζει το υλικό. Ενεργοποιείτε πρώτα τη μηχανή και έπειτα πριονίστε στο υλικό.
 Σε περίπτωση που μαγκώνει η λεπίδα πριονιού, σβήστε αμέσως τη μηχανή και τραβήξτε τη μηχανή από το υλικό αφότου ακινητοποιηθεί η λεπίδα πριονιού. Μην ενεργοποιείτε ποτέ τη μηχανή, αν η λεπίδα πριονιού ακουμπάει ακόμα το υλικό.

ΧΡΗΣΗ ΣΥΜΦΩΝΑ ΜΕ ΤΟ ΣΚΟΠΟ ΠΡΟΟΡΙΣΜΟΥ
 Το πριόνι χρησιμοποιείται για ίσιες κοπές σε διάφορα είδη μετάλλου όπως π.χ. Σε κορνίζες μετάλλου (UniStrut), σωλήνες, δοκάρια ξύλινων κατασκευών, αγωγούς καλωδίων, κορνίζες αλουμινίου.
 Αυτή η συσκευή επιτρέπεται να χρησιμοποιηθεί μόνο σύμφωνα με τον αναφερόμενο σκοπό προορισμού.

ΔΗΛΩΣΗ ΠΙΣΤΟΤΗΤΑΣ ΕΚ
 Δηλώνουμε υπεύθυνα ότι το προϊόν που περιγράφεται στο κεφάλαιο «Τεχνικά χαρακτηριστικά» είναι συμβατό με τις διατάξεις της Κοινοτικής Οδηγίας 2011/65/EU (RoHS), 2014/30/EU, 2006/42/EK και με τα ακόλουθα εναρμονισμένα κανονιστικά έγγραφα:
 EN 60745-1:2009 + A11:2010
 EN 60745-2-20:2009
 EN 55014-1:2006 + A1:2009 + A2:2011
 EN 55014-2:2015
 EN 61000-3-2:2014
 EN 61000-3-3:2013
 EN 61547:2009
 EN 55015:2013
 EN 50581:2012

Winnenden, 2017-11-30

 Alexander Krug
 Managing Director

 Εξουσιοδοτημένος να συντάξει τον τεχνικό φάκελο.
 Techtronic Industries GmbH
 Max-Eyth-Straße 10
 71364 Winnenden
 Germany

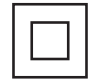
ΣΥΝΔΕΣΗ ΣΤΟ ΗΛΕΚΤΡΙΚΟ ΔΙΚΤΥΟ
 Οι πρίζες στους εξωτερικούς χώρους πρέπει να είναι εξωπλισμένες με μικροαποτίμωτους διακόπτες προστασίας (FI, RCD, PRCD). Αυτό απαιτεί ο σχετικός κανονισμός από την ηλεκτρική σας εγκατάσταση. Προσέξτε παρακαλώ αυτό το σημείο κατά τη χρήση της συσκευής μας.
 Συνδέετε μόνο σε μονοφασικό εναλλασσόμενο ρεύμα και μόνο σε τάση δικτύου όπως αναφέρεται στην πινακίδα τεχνικών χαρακτηριστικών. Η σύνδεση είναι επίσης εφικτή σε πρίζες χωρίς προστασία επαφής, διότι έχει προβλεφθεί εξοπλισμός κατηγορίας προστασίας II.
 Συνδέστε τη συσκευή στην πρίζα μόνο όταν είναι απενεργοποιημένη.



ΣΥΝΤΗΡΗΣΗ
 Διατηρείτε πάντοτε τις σχισμές εξαερισμού της μηχανής καθαρές.
 Όταν έχει υποστεί ζημιά το καλώδιο ηλεκτρικής σύνδεσης, πρέπει αυτό να αντικατασταθεί σε μια υπηρεσία τεχνικής υποστήριξης πελατών, διότι απαιτείται ειδικό εργαλείο.
 Χρησιμοποιείτε μόνο εξαρτήματα και ανταλλακτικά της Milwaukee. Αναθέστε την αλλαγή των εξαρτημάτων, των οποίων η αντικατάσταση δεν έχει περιγραφεί, σ' ένα κέντρο σέρβις της Milwaukee (προσέξτε το εγχειρίδιο Εγγύηση/ Διευθύνσεις εξυπηρέτησης πελατών).

Όταν χρειάζεται, μπορείτε να ζητήσετε ένα σχέδιο συναρμολόγησης της συσκευής, δίνοντας τον τύπο της μηχανής και αριθμό στην πινακίδα ισχύος, από το κέντρο σέρβις ή απευθείας από τη φίρμα Techtronic Industries GmbH, Max-Eyth-Straße 10, 71364 Winnenden, Germany.

ΣΥΜΒΟΛΑ

-  ΠΡΟΣΟΧΗ! ΠΡΟΕΙΔΟΠΟΙΗΣΗ! ΚΙΝΔΥΝΟΣ!
-  Πριν από κάθε εργασία στη μηχανή τραβάτε το φως από την πρίζα.
-  Παρακαλώ διαβάστε σχολαστικά τις οδηγίες χρήσης πριν από την έναρξη λειτουργίας.
-  Κρατάτε τα χέρια σας μακριά από τα περιστρεφόμενα μέρη.
-  Στις εργασίες με τη μηχανή φοράτε πάντοτε προστατευτικά γυαλιά.
-  Να φοράτε προστατευτικά γάντια!
-  Ηλεκτρικά μηχανήματα δεν επιτρέπεται να απορρίπτονται μαζί με τα οικιακά απορρίμματα. Ηλεκτρικά και ηλεκτρονικά μηχανήματα συλλέγονται ξεχωριστά και παραδίδονται προς ανακύκλωση με τρόπο φιλικό προς το περιβάλλον σε επιχείρηση επεξεργασίας απορριμμάτων. Ενημερωθείτε από τις τοπικές υπηρεσίες ή από ειδικευμένους εμπόρους σχετικά με κέντρα ανακύκλωσης και συλλογής απορριμμάτων.

 Ηλεκτρικό εργαλείο κατηγορίας ασφάλειας II. Ηλεκτρικό εργαλείο στο οποίο η προστασία από ηλεκτροπληξία δεν εξαρτάται μόνο από την βασική μόνωση αλλά και από συμπληρωματικά μέτρα ασφαλείας όπως διπλή ή ενισχυμένη μόνωση. Δεν υπάρχει εξοπλισμός για να συνδεθεί με την γείωση.

 Σήμα συμμόρφωσης CE
 Εθνικό σήμα πιστότητας Ουκρανία
 EurAsian σήμα πιστότητας.

TEKNİK VERİLER **BANT TESTERELERİ** **BS 125 (220 V - 240 V)** **BS 125 (110 V - 120 V)**

Üretim numarası	4482 46 03.....	4482 56 03.....
.....	...000001-999999	...000001-999999
Giriş gücü	1100 W.....	1100 W.....
Boşta devir sayısı.....	0-116 m/min.....	0-116 m/min.....
Testere levhasının ölçüleri.....	1139,8 x 12,7 x 0,5 mm.....	1139,8 x 12,7 x 0,5 mm.....
Maksimum kesme gücü.....	125 x 125 mm.....	125 x 125 mm.....
Maksimum kesme gücü borular.....	ø 125 mm.....	ø 125 mm.....
Ağırlığı ise EPTA-üretici 01/2003'e göre.....	6,5 kg.....	6,5 kg.....

Gürültü bilgileri

Ölçüm değerleri EN 60 745 e göre belirlenmektedir.
Aletin, frekansa bağımlı uluslararası ses basıncı seviyesi değerlendirme eğrisi A'ya göre tipik gürültü seviyesi:

Ses basıncı seviyesi (Tolerans K=3dB(A)).....	90 dB (A).....	90,2 dB (A).....
Akustik kapasite seviyesi (Tolerans K=3dB(A)).....	101 dB (A).....	101,2 dB (A).....

Koruyucu kulaklık kullanın!**Vibrasyon bilgileri**

Toplam titreşim değeri (üç yönün vektör toplamı) EN 60745'e göre belirlenmektedir:

Metal yontma		
Titreşim emisyon değeri a _h	1,09 m/s ²	1,27 m/s ²
Tolerans K=.....	1,5 m/s ²	1,5 m/s ²

UYARI

Bu talimatlarda belirtilen titreşim seviyesi, EN 60745 standardına uygun bir ölçme metodu ile ölçülmüştür ve elektrikli el aletleri birbirleriyle karşılaştırmak için kullanılabilir. Ölçüm sonuçları ayrıca titreşim yükünün geçici değerlendirilmesi için de uygundur.

Belirtilen titreşim seviyesi, elektrikli el aletinin genel uygulamaları için geçerlidir. Ancak elektrikli el aleti başka uygulamalar için, farklı eklenti parçalarıyla ya da yetersiz bakım koşullarında kullanılırsa, titreşim seviyesi farklılık gösterebilir. Bu durumda, titreşim yükü toplam çalışma zamanı aralığı içerisinde belirgin ölçüde yükselebilir.

Titreşim yükünün tam bir değerlendirmesi için ayrıca cihazın kapalı olduğu süreler ve cihazın çalışır durumda olduğu, ancak gerçek kullanımında bulunmadığı süreler de dikkate alınmalıdır. Böylelikle, toplam çalışma zamanı aralığı boyunca meydana gelen titreşim yükü belirgin ölçüde azaltılabilir.

Kullanıcıyı titreşimlerin etkisinden korumak üzere, örneğin elektrikli el aletlerinin ve eklenti parçalarının bakımı, ellerin sıcak tutulması ve iş akışlarının organizasyonu gibi ek güvenlik tedbirleri belirleyiniz.

UYARI! Bütün güvenlik uyarılarını ve talimatları okuyunuz. Güvenlik uyarıları ve talimatlara dikkat edilmemesi yaralanmalara neden olabilir.

Bütün güvenlik uyarılarını ve talimatlarını sonra bakmak üzere muhafaza ediniz.

ŞERİT TESTERE MAKİNESİ İÇİN UYARILAR

Kesme aletinin eğrilmiş elektrik kabloları veya kendi kablolarına isabet eden çalışmalar yapılırken cihazı izole edilmiş kollarından tutun. Kesme aletinin içinden elektrik akımı geçen kablo ile temas etmesi durumunda elektrik akımı cihazın metal kısımlarına geçer ve elektrik çarpmasına sebebiyet verebilir.

Koruyucu kulaklık kullanın. Çalışırken çıkan gürültü işitme kayıplarına neden olabilir.

EK GÜVENLİK VE ÇALIŞMA TALİMATLARI

Koruma teçhizatı kullanın.Makinada çalışırken devamlı surette koruyucu gözlük takın. Koruyucu elbise ve tozlardan korunma maskesi, emniyet eldivenleri ve sağlam ve kaymaya mukavim ayakkabı giyin. Başlık ve kulaklık tavsiye edilir.

Çalışma sırasında ortaya çıkan toz genellikle sağlığa zararlıdır ve bedeninize temas etmemelidir. Uygun bir koruyucu toz maskesi kullanın

Sağlık tehlikelerine neden olan malzemelerin işlenmesi yasaktır (örn. asbest).

Uca yerleştirilen takımın bloke olması halinde lütfen cihazı hemen kapatın! Uca yerleştirilen takım bloke olduğu sürece cihazı tekrar çalıştırmayın; bu sırada yüksek reaksiyon momentine sahip bir geri tepme meydana gelebilir. Uca yerleştirilen takımın neden bloke olduğuna bakın ve bu durumu güvenlik uyarılarına dikkat ederek gidin.

Olası nedenler şunlar olabilir:

- İşlenen parça içinde takılma
- İşlenen malzemenin delinmesi
- Elektrikli alete aşırı yük binmesi

Ellerinizi çalışmakta olan makinenin içine uzatmayın.

Uca yerleştirilen takım kullanımı sırasında ısınabilir.

UYARI! Yanma tehlikesi

- takım değiştirme sırasında
- aletin yere bırakılması sırasında

Alet çalışır durumda iken talaş ve kırpıntıları temizlemeye çalışmayın.

Bağlantı kablolarını aletten uzak tutun. Kablo daima aletin arkasında olmalıdır ve toplanmamalıdır.

İşlenen parçayı bir germe tertibatıyla emniyete alın. Emniyete alınmayan iş parçaları ağır yaralanmalar ve hasarlara neden olabilir.

Aletin kendinde bir çalışma yapmadan önce fişi prizden çekin.

Çatlamış ve deforme olmuş testere bıçaklarını kullanmayın!

Kesme işlemi sırasında kılavuz kolu daima iş parçası üzerine dayayın.

Testere bıçağı malzemeye temas ederken aleti çalıştırmayın. Önce aleti çalıştırın, sonra malzemeyi kesin.

Testere bıçağı sıkışacak olursa aleti hemen kapatın, testere bıçağı tam olarak durduktan sonra aleti malzeme içinden çıkarın. Testere bıçağı malzemeye temas ederken aleti asla tekrar çalıştırmayın.

KULLANIM

Bant testereleri örneğin metal profiller (ÜniStrut), boru, kurutma ayakları, kablo kanalları, alüminyum profiller, saç gibi düz kesimli cisimlerin.

Bu alet sadece belirttiği gibi ve usulüne uygun olarak kullanılabilir.

CE UYGUNLUK BEYANI

Tek sorumlu olarak "Teknik Veriler" bölümünde tarif edilen ürünün 2011/65/EU (RoHs), 2014/30/EU, 2006/42/EC sayılı direktifin ve aşağıdaki harmonize temel belgelerin bütün önemli hükümlerine uygun olduğunu beyan etmekteyiz:

EN 60745-1:2009 + A11:2010
EN 60745-2-20:2009
EN 55014-1:2006 + A1:2009 + A2:2011
EN 55014-2:2015
EN 61000-3-2:2014
EN 61000-3-3:2013
EN 61547:2009
EN 55015:2013
EN 50581:2012

Winnenden, 2017-11-30

Alexander Krug

Alexander Krug
Managing Director



Teknik evrakları hazırlamakla görevlendirilmiştir.

Techtronic Industries GmbH
Max-Eyth-Straße 10
71364 Winnenden
Germany

ŞEBEKE BAĞLANTISI

Açık havadaki prizler hatalı akım koruma şalteri (FI, RCD, PRCD) ile donatılmış olmalıdır. Bu, elektrik tesisatındaki bir zorunluluktur. Lütfen aletimizi kullanırken bu hususa dikkat edin.

Aleti sadece tek fazlı alternatif akıma ve tip etiketi üzerinde belirtilen şebeke gerilimine bağlayın. Yapısı Koruma sınıfı II'ye girdiğinden alet koruyucu kontaklı prize de bağlanabilir.

Aleti sadece kapalı iken prize takın.

BAKIM

Aletin havalandırma aralıklarını daima temiz tutun.

Şebeke hatları hasarlı ise müşteri hizmetleri servisi tarafından değiştirilmesi gerekir, zira bunun için özel bir aparat gereklidir.

Sadece Milwaukee aksesuarını ve yedek parçalarını kullanın. Değiştirilmesi açıklanmamış olan parçaları bir Milwaukee müşteri servisinde değiştirin (Garanti broşürüne ve müşteri servisi adreslerine dikkat edin).

Gerektiği takdirde aletin dağıtık görünüş şeması, alet tipinin ve tip etiketi üzerindeki sayının bildirilmesi koşuluyla müşteri servisinden veya doğrudan Techtronic Industries GmbH, Max-Eyth-Straße 10, 71364 Winnenden, Germany adresinden istenebilir.

SEMBOLLER

DİKKAT! UYARI! TEHLİKE!



Aletin kendinde bir çalışma yapmadan önce fişi prizden çekin.



Lütfen aleti çalıştırmadan önce kullanma kılavuzunu dikkatli biçimde okuyun.



Ellerinizi rotatif parçalardan uzak tutunuz.



Aletle çalışırken daima koruyucu gözlük kullanın.



Koruyucu eldivenlerinizi takınız!



Elektrikli cihazların evsel atıklarla birlikte bertaraf edilmesi yasaktır. Elektrikli ve elektronik cihazlar ayrılarak biriktirilmeli ve çevreye zarar vermeden bertaraf edilmeleri için bir atık değerlendirme tesisine götürülmelidir. Yerel makamlara veya satıcınıza geri dönüşüm tesisleri ve atık toplama merkezlerinin yerlerini danışınız.



Koruma sınıfı II olan elektrikli aletler. Elektrik çarpmasına karşı korumanın sadece temel izolasyona bağlı olmayıp, aynı zamanda çift izolasyon veya takviyeli izolasyon gibi ek koruyucu önlemlerin alınmasına bağlı olan elektrikli alet. Bir koruyucu iletken bağlamak için düzeneği bulunmamaktadır.



CE işareti



Ulusal uygunluk işareti Ukrayna



EurAsian Uyumluluk işareti

TECHNICKÁ DATA **PÁSOVOU PILU** **BS 125 (220 V - 240 V)** **BS 125 (110 V - 120 V)**

Výrobní číslo.....	4482 46 03.....	4482 56 03...
Jmenovitý příkon	1100 W.....	1100 W.....
Volnoběžné otáčky	0-116 m/min.....	0-116 m/min.....
Rozměry pilového listu	1139,8 x 12,7 x 0,5 mm.....	1139,8 x 12,7 x 0,5 mm.....
Max. řezný výkon pravouhulé profily	125 x 125 mm.....	125 x 125 mm.....
Max. řezný výkon trubky.....	Ø 125 mm.....	Ø 125 mm.....
Hmotnost podle prováděcího předpisu EPTA 01/2003	6,5 kg.....	6,5 kg.....

Informace o hluku
 Naměřené hodnoty odpovídají EN 60 745.
 V třídě A posuzovaná hladina hluku přístroje činí typicky:
 Hladina akustického tlaku (Kolisavost K=3dB(A))..... 90 dB (A)..... 90,2 dB (A)
 Hladina akustického výkonu (Kolisavost K=3dB(A))..... 101 dB (A)..... 101,2 dB (A)
Používejte chrániče sluchu !

Informace o vibracích
 Celkové hodnoty vibrací (vektorový součet tří směrů) zjištěné ve smyslu EN 60745.
 Řezání kovů
 Hodnota vibračních emisí a_h..... 1,09 m/s²..... 1,27 m/s²
 Kolisavost K=..... 1,5 m/s²..... 1,5 m/s²

VAROVÁN
 Úroveň chvění uvedená v tomto návodu byla naměřena podle metody měření stanovené normou EN 60745 a může být použita pro porovnání elektrického nářadí. Hodí se také pro průběžný odhad zatížení chvěním.
 Uvedená úroveň chvění představuje hlavní účely použití elektrického nářadí. Jestliže se ale elektrické nářadí používá pro jiné účely, s odlišnými nástroji nebo s nedostatečnou údržbou, může se úroveň chvění odlišovat. To může značně zvýšit zatížení chvěním během celé pracovní doby.
 Pro přesný odhad zatížení chvěním se musí také zohlednit časy, během kterých je přístroj vypnutý nebo kdy je sice v chodu, ale skutečně se s ním nepracuje. To může zatížení chvěním během celé pracovní doby značně snížit.
 Stanovte doplňková bezpečnostní opatření pro ochranu obsluhy před účinky chvění jako například: technická údržba elektrického nářadí a nástrojů, udržování teploty rukou, organizace pracovních procesů.

⚠ VÝSTRAHA! Pročtete si všechny bezpečnostní pokyny a nařízení. Zanedbání dodržování bezpečnostních pokynů a nařízení může vést k poranění.
Všechny bezpečnostní pokyny a nařízení si uschovejte pro případ potřeby v budoucnosti.

⚠ BEZPEČNOSTNÍ PŘEDPISY PRO PÁSOVOU PILU
Při provádění prací, při kterých nástroj může narazit na skryta elektrická vedení nebo na vlastní kabel, držte přístroj za izolované přidržovací plošky. Kontakt řezného nástroje s vedením pod napětím může vést k přenosu napětí na kovové části přístroje a k úrazu elektrickým proudem.
Používejte chrániče sluchu. Působením hluku může dojít k poškození sluchu.

DALŠÍ BEZPEČNOSTNÍ A PRACOVNÍ POKYNY
 Použijte ochranné vybavení. Při práci s elektrickým nářadím používejte vždy ochranné brýle. Doporučíme rovněž použití součástí ochranného oděvu a ochranné obuvi, jako protiprašné masky, ochranných rukavic, pevné a neklouzající obuvi, ochranné přilby a ochrany sluchu.
 Prach vznikající při práci s tímto nářadím může být zdraví škodlivý. Proto by neměl přijít do styku s tělem. Používejte při práci vhodnou ochranou masku.
 Nesmějí se opravovat materiály, které mohou způsobit ohrožení zdraví (např. azbest)
 Při zablokování nasazeného nástroje přístroj okamžitě vypněte! Přístroj nezapínejte, pokud je nasazený nástroj zablokovaný; mohl by při tom vzniknout zpětný náraz s vysokým reakčním momentem. Zjistěte příčinu zablokování nasazeného nástroje a odstraňte ji při dodržení bezpečnostních pokynů.



Možnými příčinami mohou být:
 • vzpříčení v opracovávaném obrobku
 • přelomení opracovávaného materiálu
 • přetížení elektrického přístroje
 Nezasahujte do běžícího stroje.
 Nasazený nástroj se může během používání rozpálit.
VAROVÁNÍ! Nebezpečí popálení.
 • při výměně nástroje
 • při odkládání přístroje
 Pokud stroj běží, nesmí být odstraňovány třísky nebo odštěpky.
 Neustále dbát na to, aby byl kabel pro připojení k elektrické síti mimo dosah stroje. Kabel vést vždy směrem dozadu od stroje.
 Obrobek zabezpečte upínacím zařízením. Nezabezpečené obrobky mohou způsobit těžká poranění a poškození.
 Před zahájením veškerých prací na stroji vytáhnout síťovou zástrčku ze zásuvky.
 Popraskané nebo zdeformované pilové listy nesmí být používány!
 Při řezání přiložte na kus vodící úhelník.
 Nezapínejte stroj, když je kotouč v kontaktu s materiálem. Nejprve stroj zapněte a potom zařizněte do materiálu.
 Dojde-li k sevření pilového kotouče, ihned vypněte stroj a potom vytáhněte kotouč z materiálu. Nikdy znovu nespouštějte stroj je-li kotouč ještě v materiálu.

OBLAST VYUŽITÍ

Pásovou pilu lze nasadit k přímočarým řezům v různých druzích kovových materiálů jako například ocelových proflech, (UniStrut), trubkách, stojinách pro suchou montáž, kabelových kanálech, hliníkových proflech, plechu.
 Toto zařízení lze používat jen pro uvedený účel.

CE-PROHLÁŠENÍ O SHODĚ

Výhradně na vlastní zodpovědnost prohlašujeme, že se výrobek popsaný v "Technických údajích" shoduje se všemi relevantními předpisy směrnice 2011/65/EU (RoHS), 2014/30/ES, 2006/42/ES a s následujícími harmonizovanými normativními dokumenty:
 EN 60745-1:2009 + A11:2010
 EN 60745-2-20:2009
 EN 55014-1:2006 + A1:2009 + A2:2011
 EN 55014-2:2015
 EN 61000-3-2:2014
 EN 61000-3-3:2013
 EN 61547:2009
 EN 55015:2013
 EN 50581:2012

Winnenden, 2017-11-30

 Alexander Krug
 Managing Director

 Zplnomocněn k sestavování technických podkladů.
 Techtronic Industries GmbH
 Max-Eyth-Straße 10
 71364 Winnenden
 Germany

PŘIPOJENÍ NA SÍŤ

Ve venkovním prostředí musí být zásuvky vybaveny proudovým chráničem (FI, RCD, PRCD). Je to vyžadováno instalačním předpisem pro toto el.zařízení. Dodržujte ho při používání tohoto nářadí, pro směr.
 Připojit pouze do jednofázové střídavé sítě o napětí uvedeném na štítku. Lze připojit i do zásuvky bez ochranného kontaktu neboť spotřebič je třídy II.
 Přírodní kabel zapojit do zásuvky jen při vypnutém stroji.

ÚDRŽBA

Větrací štěrbinu nářadí udržujeme stále čisté.
 Dojde-li k poškození přírodního kabelu, nechte jej vyměnit v autorizovaném servisu, protože k výměně je zapotřebí speciální nástroj.
 Používejte výhradně náhradní díly a příslušenství Milwaukee. Díly, jejichž výměna nebyla popsána, nechte vyměnit v odborném servisu Milwaukee. (Viz záruční list.)
 Při potřebě podrobného rozkresu konstrukce, oslovte informaci o typu a čísle přímo servis a nebo výrobce, Techtronic Industries GmbH, Max-Eyth-Straße 10, 71364 Winnenden, Germany.

SYMBOLY

	POZOR! VAROVÁN! NEBEZPEČÍ!
	Před zahájením veškerých prací na stroji vytáhnout síťovou zástrčku ze zásuvky.
	Před spuštěním stroje si pečlivě pročtete návod k používání.
	Chraňte si ruce před rotujícími součástmi.
	Při práci se strojem neustále nosit ochranné brýle.
	Používejte ochranné rukavice!
	Elektrické přístroje se nesmí likvidovat společně s odpadem z domácnosti. Elektrické a elektronické přístroje je třeba sbírat odděleně a odevzdat je v recyklačním podniku na ekologickou likvidaci. Na místních úřadech nebo u vašeho specializovaného prodejce se informujte na recyklační podniky a sběrné dvory.
	Elektrický přístroj s třídou ochrany II. Elektrický přístroj, u kterého ochrana před zásahem el. proudem závisí nejen na základní izolaci, ale i na tom, že budou použita také doplňková ochranná opatření, jakými jsou dvojité izolace nebo zesílená izolace. Neexistuje žádné zařízení pro připojení ochranného vodiče.
	Značka CE
	Národní znak shody Ukrajiny
	Euroasijská značka shody

TECHNICKÉ ÚDAJE	PÁSOVÁ PÍLA	BS 125 (220 V - 240 V)	BS 125 (110 V - 120 V)
Výrobné číslo.....	4482 46 03.....	4482 56 03.....	4482 56 03.....
Menovitý príkon.....	1100 W.....	1100 W.....	1100 W.....
Otáčky naprázdno.....	0-116 m/min.....	0-116 m/min.....	0-116 m/min.....
Rozmery pílového listu.....	1139,8 x 12,7 x 0,5 mm.....	1139,8 x 12,7 x 0,5 mm.....	1139,8 x 12,7 x 0,5 mm.....
Max. rezný výkon pravouhlé profily.....	125 x 125 mm.....	125 x 125 mm.....	125 x 125 mm.....
Max. rezný výkon rúrky.....	Ø 125 mm.....	Ø 125 mm.....	Ø 125 mm.....
Hmotnosť podľa vykonávacieho predpisu EPTA 01/2003.....	6,5 kg.....	6,5 kg.....	6,5 kg.....

Informácia o hluku

Namerané hodnoty určené v súlade s EN 60 745.

V triede A posudzovaná hladina hluku prístroja činí typicky:

Hladina akustického tlaku (Kolisavosť K=3dB(A)).....	90 dB (A)	90,2 dB (A)
Hladina akustického výkonu (Kolisavosť K=3dB(A)).....	101 dB (A)	101,2 dB (A)

Používajte ochranu sluchu!

Informácie o vibráciách

Celkové hodnoty vibrácií (vektorový súčet troch smerov) zistených zmysle EN 60745.

Rezanie kovov

Hodnota vibračných emisii a _h	1,09 m/s ²	1,27 m/s ²
Kolisavosť K=.....	1,5 m/s ²	1,5 m/s ²

POZOR

Úroveň vibrácií uvedená v týchto pokynoch bola nameraná meracou metódou, ktorú stanovuje norma EN 60745 a je možné ju použiť na vzájomné porovnanie elektrického náradia. Hodí sa aj na predbežné posúdenie kmitavého namáhania.

Uvedená úroveň vibrácií reprezentuje hlavné aplikácie elektrického náradia. Ak sa však elektrické náradie používa pre iné aplikácie, s odlišnými vloženými nástrojmi alebo s nedostatočnou údržbou, môže sa úroveň vibrácií líšiť. Toto môže kmitavé namáhanie v priebehu celej pracovnej doby podstatne zvýšiť.

Pre presný odhad kmitavého namáhania by sa mali tiež zohľadniť doby, v ktorých je náradie vypnuté alebo je síce v chode, ale v skutočnosti sa nepoužíva. Toto môže kmitavé namáhanie v priebehu celej pracovnej doby zreteľne redukovať.

Stanovte dodatočné bezpečnostné opatrenia pre ochranu obsluhy pred účinkami vibrácií, ako napríklad: údržba elektrického náradia a vložených nástrojov, udržiavanie teploty rúk, organizácia pracovných postupov.

⚠ VÝSTRAHA! Prečítajte si všetky bezpečnostné pokyny a nariadenia. Zanedbanie dodržiavania bezpečnostných pokynov a nariadení môže viesť k poraneniam.

Všetky bezpečnostné pokyny a nariadenia si uschovajte pre prípad potreby v budúcnosti.

⚠ BEZPEČNOSTNÉ PREDPISY PRE PÁSOVÚ PÍLU

Pri realizovaní prác, pri ktorých nástroj môže naraziť na skryté elektrické vedenia alebo na vlastný kábel, držte prístroj za izolované pridržovacie plošky. Kontakt rezného nástroja s vedením pod napätím môže viesť k prenosu napätia na kovové časti prístroja a k úrazu elektrickým prúdom.

Používajte ochranu sluchu. Pôsobenie hluku môže spôsobiť stratu sluchu.

ĎALŠIE BEZPEČNOSTNÉ A PRACOVNÉ POKYNY

Použite ochranné vybavenie. Pri práci s elektrickým náradím používajte vždy ochranné okuliare. Doporučujeme taktiež použitie súčastí ochranného odevu a ochrannej obuvi, ako sú protiprašná maska, ochranné rukavice, pevná a nekĺžajúca obuv, ochranná prilba a ochrana sluchu.

Prach vznikajúci pri práci môže byť škodlivý zdraviu. Pri práci nosiť vhodnú ochrannú masku, aby sa nedostal do ľudského organizmu.

Nesmú sa upravovať materiály, ktoré môžu spôsobiť ohrozenie zdravia (napr. azbest)

Pri zablokovaní nasadeného nástroja prístroj okamžite vypnite! Prístroj nezapínajte, pokiaľ je nasadený nástroj zablokovaný; mohol by pri tom vzniknúť spätný náraz s vysokým reakčným momentom. Príčinu zablokovania nasadeného nástroja zistíte odstránením so zohľadnením bezpečnostných pokynov.

Možnými príčinami môžu byť:

- spriechenenie v opracovávanom obrobku
- prelomenie opracovávaného materiálu
- preťaženie elektrického prístroja

Nezasahujte do bežiacieho stroja.

Nasadený nástroj sa počas používania môže rozhorčiť.

POZOR! Nebezpečenstvo popálenia

- pri výmene nástroja
- pri odkladaní prístroja

Triesky alebo úlomky sa nesmú odstraňovať za chodu stroja.

Pripojovací kábel držte mimo pracovnej oblasti stroja. Kábel smerujte vždy smerom dozadu od stroja.

Obrobok zabezpečte upínacím zariadením. Nebezpečné obrobky môžu spôsobiť ťažké poranenia a poškodenia.

Pred každou prácou na stroji vyťahnite zástrčku zo zásuvky.

Popraskané pílové listy alebo také, ktoré zmenili tvar, nesmú sa použiť.

Vodiaci oblúk musí pri pílení vždy doliehať na obrobok.

Stroj nespúšťať ak sa pílový list dotýka materiálu. Stroj najprv spustiť a až potom zarezat do materiálu

Ak by sa pílový list spriechil, stroj okamžite vypnúť a po úplnom zastavení pílového listu z materiálu vytriahnuť. Stroj nikdy znovu nezapínajte, pokiaľ sa pílový list dotýka materiálu.

POUŽITIE PODĽA PREDPISOV

Pásová píla je nasaditeľná pre uskutočňovanie priamočiarych rezov v rôznych druhoch kovových materiálov, ako sú napr. kovové profily (UniStrut), rúry, stojiny pre suché montáže, kábelové kanály, hliníkové profily, plechy.

Tento prístroj sa smie používať len v súlade s uvedenými predpismi.

CE - VYHLÁSENIE KONFORMITY

Výhradne na vlastnú zodpovednosť vyhlasujeme, že výrobok popísaný v "Technických údajoch" sa zhoduje so všetkými relevantnými predpismi smernice 2011/65/EÚ (RoHS), 2014/30/EÚ, 2006/42/EC a nasledujúcimi harmonizujúcimi normatívnymi dokumentmi:

EN 60745-1:2009 + A11:2010
 EN 60745-2-20:2009
 EN 55014-1:2006 + A1:2009 + A2:2011
 EN 55014-2:2015
 EN 61000-3-2:2014
 EN 61000-3-3:2013
 EN 61547:2009
 EN 55015:2013
 EN 50581:2012

Winnenden, 2017-11-30

Alexander Krug

Alexander Krug
 Managing Director



Spinomocnený zostaviť technické podklady.

Techtronic Industries GmbH
 Max-Eyth-Straße 10
 71364 Winnenden
 Germany

SIEŤOVÁ PŘÍPOJKA

Zásuvky vo vonkajšom prostredí musia byť vybavené ochranným spínačom proti prudovému nárazom (FI, RCD, PRCD). Toto je inštalovaný predpis na Vaše elektrické zariadenie. Venujte prosím tomuto pozornosť pri používaní nášho prístroja.

Pripájať len na jednofázový striedavý prúd a na sieťové napätie uvedené na štítku. Pripojenie je možné aj do zásuviek bez ochranného kontaktu, pretože ide o konštrukciu ochrannej triedy II.

Do zásuvky pripájať len vypnutý prístroj.

ÚDRZBA

Vetracie otvory udržiavať stále v čistote.

Aj dôjde k poškodeniu prívodného kábla, nechajte ho vymeniť v autorizovanom servise, pretože k výmene je potrebný špeciálny nástroj.

Používať len Milwaukee príslušenstvo a náhradné diely. Súčiastky bez návodu na výmenu treba dat vymeniť v jednom z Milwaukee zákaznických centier (viď brožúru Záruka/Adresy zákaznických centier).

Pri udaní typu stroja a čísla nachádzajúceho sa na štítku dá sa v prípade potreby vyžiadať explozívna schéma prístroja od vášho zákaznického centra alebo priamo v Techtronic Industries GmbH, Max-Eyth-Straße 10, 71364 Winnenden, Germany.

SYMBOLY



POZOR! NEBEZPEČENSTVO!



Pred každou prácou na stroji vyťahnite zástrčku zo zásuvky.



Pred prvým použitím prístroja si pozorne prečítajte návod na obsluhu.



Ruky si chráňte pred rotujúcimi dielmi.



Pri práci so strojom vždy nosíte ochranné okuliare.



Používajte ochranné rukavice!



Elektrické prístroje sa nesmú likvidovať spolu s odpadom z domácností. Elektrické a elektronické prístroje treba zbierať oddelene a odovzdať ich v recyklačnom podniku na ekologickú likvidáciu. Na miestnych úradoch alebo u vášho špecializovaného predajcu sa spýtajte na recyklačné podniky a zberné dvory.



Elektrický prístroj triedy ochrany II. Elektrický prístroj, pri ktorom ochrana pred zásahom el. prúdom závisí nie len od základnej izolácie, ale aj od toho, že budú použité aj doplnkové ochranné opatrenia, akými sú dvojité izolácia alebo zosilnená izolácia. Neexistuje žiadne zariadenie na pripojenie ochranného vodiča.



Značka CE



Národný znak zhody Ukrajiny



Euroázijská značka zhody

DANE TECHNICZNE	PIŁA TAŚMOWA	BS 125 (220 V - 240 V)	BS 125 (110 V - 120 V)
Numer produkcyjny.....	4482 46 03.....	4482 56 03.....	4482 56 03.....
Znamionowa moc wyjściowa.....	1100 W.....	1100 W.....	1100 W.....
Prędkość bez obciążenia.....	0-116 m/min.....	0-116 m/min.....	0-116 m/min.....
Wymiary brzeszczotu.....	1139,8 x 12,7 x 0,5 mm.....	1139,8 x 12,7 x 0,5 mm.....	1139,8 x 12,7 x 0,5 mm.....
Maksymalna wydajność cięcia profile prostokątne.....	125 x 125 mm.....	125 x 125 mm.....	125 x 125 mm.....
Maksymalna wydajność cięcia rury.....	∅ 125 mm.....	∅ 125 mm.....	∅ 125 mm.....
Ciężar wg procedury EPTA 01/2003.....	6,5 kg.....	6,5 kg.....	6,5 kg.....

Informacja dotycząca szumów

Zmierzone wartości wyznaczono zgodnie z normą EN 60 745.

Poziom szumów urządzenia oszacowany jako A wynosi

typowo:		
Poziom ciśnienia akustycznego (Niepewność K=3dB(A)).....	90 dB (A)	90,2 dB (A)
Poziom mocy akustycznej (Niepewność K=3dB(A)).....	101 dB (A)	101,2 dB (A)

Należy używać ochraniaczy uszu!

Informacje dotyczące wibracji

Wartości łączne drgań (suma wektorowa trzech kierunków)

wyznaczone zgodnie z normą EN 60745

Cięcie metalu		
Wartość emisji drgań a _h	1,09 m/s ²	1,27 m/s ²
Niepewność K=.....	1,5 m/s ²	1,5 m/s ²

OSTRZEŻENIE

Podany w niniejszych instrukcjach poziom drgań został zmierzony za pomocą metody pomiarowej zgodnej z normą EN 60745 i może być użyty do porównania ze sobą elektronarzędzi. Nadaje się on również do tymczasowej oceny obciążenia wibracyjnego.

Podany poziom drgań reprezentuje główne zastosowania elektronarzędzia. Jeśli jednakże elektronarzędzie użyte zostanie do innych celów z innym narzędziami roboczymi lub nie jest dostatecznie konserwowane, wtedy poziom drgań może wykazywać odchylenia. Może to wyraźnie zwiększyć obciążenie wibracjami przez cały okres pracy.

Dla dokładnego określenia obciążenia wibracjami należy uwzględnić również czasy, w których urządzenie jest wyłączone względnie jest włączone, lecz w rzeczywistości nie pracuje. Może to spowodować wyraźną redukcję obciążenia wibracyjnego w całym okresie pracy.

Należy wprowadzić dodatkowe środki zapobiegawcze celem ochrony obsługującego przed oddziaływaniem drgań, jak na przykład: konserwacja narzędzi roboczych i elektronarzędzi, nagrzanie rąk, organizacja przebiegu pracy.

OSTRZEŻENIE! Należy przeczytać wskazówki bezpieczeństwa i instrukcje. Nieprzestrzeganie wskazówek bezpieczeństwa i instrukcji może prowadzić do powstania obrażeń.
Zachować wszystkie wskazówki bezpieczeństwa i instrukcje na przyszłość.

WSKAZÓWKI BEZPIECZEŃSTWA DOT. PIŁY TAŚMOWEJ

Trzymaj urządzenie za izolowane powierzchnie chwytne gdy wykonujesz roboty, w trakcie których narzędzie skrawające może natrafić na ukryte przewody prądowe lub na własny kabel. Styczność narzędzia skrawającego z będącym pod napięciem przewodem może spowodować podłączenie części metalowych urządzenia do napięcia i prowadzić do porażenia prądem elektrycznym.

Stosować środki ochrony słuchu! Narażenie na hałas może spowodować utratę słuchu.

DODATKOWE WSKAZÓWKI BEZPIECZEŃSTWA I INSTRUKCJE ROBOCZE

Stosować wyposażenie ochronne. Przy pracy maszyną zawsze nosić okulary ochronne. Zalecana jest odzież ochronna, jak maska pyłochronna, rękawice ochronne, mocne i chroniące przed poślizgiem obuwie, kask i ochronniki słuchu.

Kurz powstający przy pracy z tym elektronarzędziem może być szkodliwy dla zdrowia, w związku z tym nie powinien dotrzeć do ciała. Nosić odpowiednią maskę przeciwpyłową.

Nie wolno obrabiać materiałów, które mogą być przyczyną zagrożenia zdrowia (na przykład azbestu).

W przypadku zablokowania narzędzia nasadzanego należy natychmiast wyłączyć urządzenie! Nie należy ponownie włączać urządzenia tak długo, jak długo narzędzie

nasadzone jest zablokowane; przy tym mógłby powstać odrzut zwrotny o dużym momencie reakcyjnym. Należy wykrzyć i usunąć przyczynę zablokowania narzędzia nasadzanego uwzględniając wskazówki dotyczące bezpieczeństwa.

Możliwymi przyczynami tego mogą być:

- Skośne ustawienie się w poddawany obróbce przedmiocie obrabianym
- Przerwanie materiału poddawanego obróbce
- Przeciążenie narzędzia elektrycznego

Nie należy sięgać do wnętrza maszyny będącej w ruchu.

Narzędzie nasadzone może w trakcie użytkowania stać się gorące.

OSTRZEŻENIE! Niebezpieczeństwo oparzenia się

- przy wymianie narzędzia
- przy odstawianiu urządzenia

Podczas pracy elektronarzędzia nie wolno usuwać trocin ani drzazg.

Kabel zasilający nie może znajdować się w obszarze roboczym elektronarzędzia. Powinien on się zawsze znajdować się za operatorem.

Należy zabezpieczyć przedmiot poddawany obróbce za pomocą urządzeń mocujących. Niezabezpieczone przedmioty poddawane obróbce mogą spowodować ciężkie obrażenia ciała i uszkodzenia.

Przed przystąpieniem do jakichkolwiek prac związanych z elektronarzędziem należy wyjąć wtyczkę z gniazdka.

Nie używać pękniętych lub zniekształconych brzeszczotów!

Podczas cięcia przewodnika musi się zawsze stykać z obrabianym materiałem.

Nie uruchamiać ostrza stykającego się z przedmiotem obrabianym. Odczekać, aż ostrze osiągnie pełną prędkość przed rozpoczęciem cięcia.

W przypadku zakleszczania się ostrza lub przy przerwaniu cięcia z jakiegokolwiek powodu zwolnić spust i trzymać piłę nieruchomo w materiale aż do całkowitego zatrzymania ostrza. Nigdy nie uruchamiać elektronarzędzia, gdy ostrze styka się z przedmiotem obrabianym.

WARUNKI UŻYTKOWANIA

Piła taśmowa może być stosowana do cięcia prostoliniowego różnych rodzajów metali jak np. kształtowniki metalowe (UniStrut), rury, stojaki do montażu na sucho, kanały kablowe, profile aluminiowe, blachy oraz do cięcia tworzywa sztucznego.

Produkt można użytkować wyłącznie zgodnie z jego normalnym przeznaczeniem.

DEKLARACJA ZGODNOŚCI CE

Oświadczamy na naszą wyłączną odpowiedzialność, że produkt opisany w punkcie "Dane techniczne" jest zgodny ze wszystkimi istotnymi przepisami Dyrektywy 2011/65/EU (RoHS), 2014/30/UE, 2006/42/WE oraz z następującymi zharmonizowanymi dokumentami normatywnymi:

EN 60745-1:2009 + A11:2010
EN 60745-2-20:2009
EN 55014-1:2006 + A1:2009 + A2:2011
EN 55014-2:2015
EN 61000-3-2:2014
EN 61000-3-3:2013
EN 61547:2009
EN 55015:2013
EN 50581:2012

Winnenden, 2017-11-30

Alexander Krug

Alexander Krug
Managing Director



Pełnomocniony do zestawienia danych technicznych

Techtronic Industries GmbH
Max-Eyth-Straße 10
71364 Winnenden
Germany

PODŁĄCZENIE DO SIECI

Urządzenia pracujące w wielu różnych miejscach, w tym poza pomieszczeniami zamkniętymi, należy podłączać poprzez ochronny (FI, RCD, PRCD) wyłącznik udarowy.

Podłączać tylko do źródła zasilania prądem zmiennym jednofazowym i wyłącznie o napięciu podanym na tabliczce znamionowej. Możliwe jest również podłączenie do gniazdka bez uziemienia, ponieważ konstrukcja odpowiada II klasie bezpieczeństwa.

Przed włożeniem wtyczki do gniazdka upewnić się, czy urządzenie jest wyłączone.

UTRZYMANIE I KONSERWACJA

Otwory wentylacyjne elektronarzędzia muszą być zawsze drożne.

Jeżeli kabel zasilania sieciowego jest uszkodzony, musi on być wymieniony przez serwis naprawczy, ponieważ niezbędne jest specjalne narzędzie.

Należy stosować wyłącznie wyposażenie dodatkowe i części zamienne Milwaukee. W przypadku konieczności wymiany części, dla których nie podano opisu, należy skontaktować się z przedstawicielami serwisu Milwaukee (patrz lista punktów obsługi gwarancyjnej/serwisowej).

Na życzenie można otrzymać rysunek widoku zespołu rozebranego. Przy zamawianiu należy podać numer oraz

typ elektronarzędzia umieszczony na tabliczce znamionowej. Zamówienia można dokonać albo u lokalnych przedstawicieli serwisu, albo bezpośrednio w Techtronic Industries GmbH, Max-Eyth-Straße 10, 71364 Winnenden, Germany.

SYMBOLS



UWAGA! OSTRZEŻENIE NIEBEZPIECZEŃSTWO!



Przed przystąpieniem do jakichkolwiek prac związanych z elektronarzędziem należy wyjąć wtyczkę z gniazdka.



Przed uruchomieniem elektronarzędzia zapoznać się uważnie z treścią instrukcji.



Trzymać ręce z dala od wirujących części.



Podczas pracy należy zawsze nosić okulary ochronne.



Nosić rękawice ochronne!



Urządzenia elektryczne nie mogą być usuwane razem z odpadami pochodzącymi z gospodarstw domowych. Urządzenia elektryczne i elektroniczne należy gromadzić oddzielnie i w celu usuwania ich do odpadów zgodnie z wymaganiami środowiska naturalnego oddawać do przedsiębiorstwa utylizacyjnego. Proszę zasięgnąć informacji o centrach recyklingowych i punktach zbiorczych u władz lokalnych lub u wyspecjalizowanego dostawcy.



Elektronarzędzie klasy ochrony II. Elektronarzędzie, w którym zabezpieczenie przed porażeniem prądowym zależy nie tylko od izolacji podstawowej, lecz również od tego, czy zostały zastosowane dodatkowe środki ochrony, takie jak: izolacja podwójna lub izolacja wzmacniona. Nie ma żadnego urządzenia do podłączenia przewodu ochronnego.



Znak CE



Krajowy znak zgodności Ukraina



Znak zgodności EurAsian

MŰSZAKI ADATOK	SZALAGFŰRÉSZ	BS 125 (220 V - 240 V)	BS 125 (110 V - 120 V)
Gyártási szám.....	4482 46 03.....	4482 56 03.....	4482 56 03.....
Névleges teljesítményfelvétel.....	...000001-999999	...000001-999999	...000001-999999
Üresjárati fordulatszám.....	1100 W.....	1100 W.....	1100 W.....
Fűrészlap-méret.....	0-116 m/min.....	0-116 m/min.....	0-116 m/min.....
Max. vágási teljesítmény négyszögprofilok.....	1139,8 x 12,7 x 0,5 mm.....	1139,8 x 12,7 x 0,5 mm.....	1139,8 x 12,7 x 0,5 mm.....
Max. vágási teljesítmény csövek.....	125 x 125 mm.....	125 x 125 mm.....	125 x 125 mm.....
Súly a 01/2003 EPTA-eljárás szerint.....	∅ 125 mm.....	∅ 125 mm.....	∅ 125 mm.....
	6,5 kg.....	6,5 kg.....	6,5 kg.....

Zajinformáció

A közölt értékek megfelelnek az EN 60 745 szabványnak.

A készülék munkahelyi zajszintje tipikusan:

Hangnyomás szint (K bizonytalanság=3dB(A))..... 90 dB (A)..... 90,2 dB (A)

Hangteljesítmény szint (K bizonytalanság=3dB(A))..... 101 dB (A)..... 101,2 dB (A)

Hallásvédő eszköz használata ajánlott!

Vibráció-információk

Összesített rezgésértékek (három irány vektoriális összegaz

EN 60745-nek megfelelően meghatározva.

Fém fűrészelés

ah rezgésemisszió érték..... 1,09 m/s²..... 1,27 m/s²

K bizonytalanság..... 1,5 m/s²..... 1,5 m/s²

FIGYELMEZTETÉS

A jelen utasításokban megadott rezgésszint értéke az EN 60745-ben szabályozott mérési eljárásnak megfelelően került lemérésre, és használható elektromos szerszámokkal történő összehasonlításhoz. Az érték alkalmas a rezgésterhelés előzetes megbecslésére is.

A megadott rezgésszint-érték az elektromos szerszám legfőbb alkalmazásait reprezentálja. Ha az elektromos szerszámot azonban más alkalmazásokhoz, eltérő használt szerszámokkal vagy nem elegendő karbantartással használják, a rezgésszint értéke eltérő lehet. Ez jelentősen megnövelheti a rezgésterhelést a munkavégzés teljes időtartama alatt.

A rezgésterhelés pontos megbecsléséhez azokat az időket is figyelembe kell venni, melyekben a készülék lekapcsolódik, vagy ugyan működik, azonban ténylegesen nincs használatban. Ez jelentősen csökkentheti a rezgésterhelést a munkavégzés teljes időtartama alatt.

Határozzon meg további biztonsági intézkedéseket a kezelő védelmére a rezgések hatása ellen, például: az elektromos és a használt szerszámok karbantartásával, a kezek melegen tartásával, a munkafolyamatok megszervezésével.

▲ FIGYELMEZTETÉS! Olvasson el minden biztonsági útmutatást és utasítást. A biztonsági útmutatások és utasítások betartásának elmulasztása sérülésekhez vezethet.

A jövőbeni használatra Qrízze meg az összes biztonsági útmutatót és utasítást.

▲ BIZTONSÁGI ÚTMUTATÁSOK SZALAGFŰRÉSZHEZ

A készüléket a szigetelt markolatfelületeket fogva tartsa, ha olyan munkákat végez, melyeknél a vágószerszám rejtett elektromos vezetékbe vagy saját vezetékbe ütközhet. A vágószerszám feszültségvezető vezetékkel való érintkezésekor a készülék fém részei is feszültség alá kerülhetnek, és elektromos áramütés következhet be.

Viseljen hallásvédőt. A zajhatás a hallás elvesztését eredményezheti.

TOVÁBBI BIZTONSÁGI ÉS MUNKAVÉGZÉSI UTASÍTÁSOK

Használjon védőfelszerelést! Ha a gépen dolgozik, mindig hordjon védőszemüveget! Javasoljuk a védőruházat, úgymint porvédő maszk, védőcipő, erős és csúszásbiztos lábbeli, sisak és hallásvédő használatát.

A munka során keletkező por gyakran egészségre káros, ezért ne kerüljön a szervezetbe

Hordjon e célra alkalmas porvédőmaszkot.

Nem szabad olyan anyagokat megmunkálni, amelyek egészségre veszélyesek (pl. azbeszt).

A betétszerszám elakadásakor azonnal ki kell kapcsolni a készüléket! Addig ne kapcsolja vissza a készüléket, amíg a betétszerszám elakadása fennáll; ennek során nagy ellennyomatékú visszarúgás történhet. Határozza és

szüntesse meg a betétszerszám elakadásának okát a biztonsági útmutatások betartása mellett.

Ennek következők lehetnek az okai:

- a szerszám elakad a megmunkándó munkadarabban
- a megmunkándó anyag átszakadt
- az elektromos szerszám túlterhelése

Ne nyúljon a járó gépbe.

A betétszerszám az alkalmazás során felforrósodhat.

FIGYELMEZTETÉS! Égési sérülések veszélye

- szerszámcserekor
- a készülék lerakásakor

A munka közben keletkezett forgácsokat, szilánkokat, törmelékét, stb. csak a készülék teljes leállása után szabad a munkaterületről eltávolítani.

Munka közben a hálózati csatlakozókábelt a sérülés elkerülése érdekében a munkaterületől, illetve a készüléktől távol kell tartani.

Biztosítsa a munkadarabot befogó szerkezettel. A nem biztosított munkadarabok súlyos sérüléseket és árokat okozhatnak.

Bármilyen jellegű karbantartás vagy javítás előtt a készüléket áramtalanítani kell.

Tilos repedt vagy deformált fűrészlapot használni!

Fűrészleveskor a vezetékgyeget mindig a munkadarabra kell helyezni.

Ne indítsa el a fűrészlapot ha az kapcsolatban van a munkadarabbal. Mielőtt elkezdí a vágást, várjon amíg a fűrészlap eléri a maximális sebességét.

Ha a fűrészlap megszorul, vagy a vágás bármilyen ok miatt megszakad, engedje el a kapcsolót és tartsa a gépet a munkadarabban mindaddig, amíg teljesen meg nem áll. Soha ne indítsa újra a gépet amikor kapcsolatban van a munkadarabbal!

RENDELTESSZERŰ HASZNÁLAT

A szalagfűrész különböző fajta fémekben, mint pl. fémpoflok (UniStrut), csövek, szárazfalazó állványok, kábelcsatornák, alumínium proflok, lemezek, egyenes vonalú vágások ejtésére, és műanyag levágására szolgál.

A készüléket kizárólag az alábbiakban leírtaknak megfelelően szabad használni.

CE-AZONOSSÁGI NYILATKOZAT

Egyedüli felelősséggel kijelentjük, hogy a "Műszaki Adatok" alatt leírt termék a 2011/65/EU (RoHS), 2014/30/EU, 2006/42/EK irányelvek minden releváns előírásának, ill. az alábbi harmonizált normatív dokumentumoknak megfelel:

EN 60745-1:2009 + A11:2010

EN 60745-2-20:2009

EN 55014-1:2006 + A1:2009 + A2:2011

EN 55014-2:2015

EN 61000-3-2:2014

EN 61000-3-3:2013

EN 61547:2009

EN 55015:2013

EN 50581:2012

Winnenden, 2017-11-30

Alexander Krug

Alexander Krug
Managing Director



Műszaki dokumentáció összeállításra felhatalmazva

Techtronic Industries GmbH

Max-Eyth-Straße 10

71364 Winnenden

Germany

HÁLÓZATI CSATLAKOZTATÁS

Szabadban a dugaljat hibaáram-védőkapcsolóval kell ellátni. Az elektromos készülékek üzembhelyezési útmutatása ezt kötelezően előírja (FI, RCD, PRCD). Ügyeljen erre az elektromos kéziszerszámok használatakor is.

A készüléket csak egyfázisú váltóáramra és a teljesítménytáblán megadott hálózati feszültségre csatlakoztassa. A csatlakoztatás védőérintkező nélküli dugaszolóaljzatokra is lehetséges, mivel a készülék felépítése II. védettségi osztályú.

Mielőtt áram alá helyezi a gépet, győződjön meg róla, hogy a gép ki van kapcsolva.

KARBANTARTÁS

A készülék szellőzőnyílásait mindig tisztán kell tartani.

Ha a hálózati csatlakozóvezeték megsérült, akkor azt ügyfélszolgálati hely által kell kicseréltetni, mert ahhoz speciális szerszám szükséges.

Javításhoz, karbantartáshoz kizárólag Milwaukee alkatrészeket és tartozékokat szabad használni. A készülék azon részeinek cseréjét, amit a kezelési útmutató nem engedélyez, kizárólag a javításra feljogosított márkaszervíz végezheti. (Lásd a szervízlistát)

Szükség esetén a készülékek robbantott ábráját - a készülék típusa és azonosító száma alapján a területileg illetékes Milwaukee márkaszerviztől vagy közvetlenül a gyártótól (Techtronic Industries GmbH, Max-Eyth-Straße 10, 71364 Winnenden, Germany) lehet kérni.

SZIMBÓLUMOK



FIGYELEM! FIGYELMEZTETÉS! VESZÉLY!



Bármilyen jellegű karbantartás vagy javítás előtt a készüléket áramtalanítani kell.



Kérjük alaposan olvassa el a tájékoztatót mielőtt a gépet használja.



Forgó alkatrészekről tartsa távol a kezét.



Munkavégzés közben ajánlatos védőszemüveget viselni.



Hordjon védőkesztyűt!



Az elektromos eszközöket nem szabad a háztartási hulladékkal együtt ártalmatlanítani. Az elektromos és elektronikus eszközöket szelektíven kell gyűjteni, és azokat környezetbarát ártalmatlanítás céljából hulladékhasznosító üzemben kell leadni. A helyi hatóságoknál vagy szakkereskedőjénél tájékozódjon a hulladékudvarokról és gyűjtőhelyekről.



II. védelmi osztályú elektromos szerszám. Olyan elektromos szerszám, amelynél az elektromos áramütés elleni védelem nem csak az alapszigeteléstől függ, hanem amelyben kiegészítő védőintézkedéseket, mint pl. kettős szigetelés vagy megerősített szigetelés, alkalmaznak. Nincs lehetőség védőérintkező csatlakoztatására.



CE-jelölés



Ukrán nemzeti megfelelőségi jelölés



Eurázsiai megfelelőségi jelzés.

TEHNIČNI PODATKI	TRAČNA ŽAGA	BS 125 (220 V - 240 V)	BS 125 (110 V - 120 V)
Proizvodna številka.....	4482 46 03.....	4482 56 03.....	4482 56 03.....
Nazivna sprejemna moč.....	1100 W.....	1100 W.....	1100 W.....
Število vrtljajev v prostem teku.....	0-116 m/min.....	0-116 m/min.....	0-116 m/min.....
Izmere žaginega lista.....	1139,8 x 12,7 x 0,5 mm.....	1139,8 x 12,7 x 0,5 mm.....	1139,8 x 12,7 x 0,5 mm.....
Maksimalna rezalna zmogljivost pravokotni profili.....	125 x 125 mm.....	125 x 125 mm.....	125 x 125 mm.....
Maksimalna rezalna zmogljivost cevi.....	Ø 125 mm.....	Ø 125 mm.....	Ø 125 mm.....
Teža po EPTA-proceduri 01/2003.....	6,5 kg.....	6,5 kg.....	6,5 kg.....

Informacije o hrupnosti

Vrednosti merjenja ugotovljene ustreznosti z EN 60 745.

Raven hrupnosti naprave ovrednotena z A, znaša tipično:

Nivo zvočnega tlaka (Nevarnost K=3dB(A)).....	90 dB (A).....	90,2 dB (A).....
Višina zvočnega tlaka (Nevarnost K=3dB(A)).....	101 dB (A).....	101,2 dB (A).....

Nosite zaščito za sluh!

Informacije o vibracijah

Skupna vibracijska vrednost (Vektorska vsota treh smerdoločena ustreznosti EN 60745).

Zaganje kovin.....	1,09 m/s ²	1,27 m/s ²
Vibracijska vrednost emisij a _h	1,5 m/s ²	1,5 m/s ²

OPOZORILO

V teh navodilih navedena raven tresljajev je bila izmerjena po EN60745 normiranem merilnem postopku in lahko služi medsebojni primerjavi električnih orodij. Prav tako je primeren za predhodno oceno obremenitve s tresljaji.

Navedena raven tresljajev navaja najpomembnejše vrste rabe električnega orodja. Kadar se električno orodje uporablja za drugačne namene, z odstopajočimi orodji ali pa z nezadostnim vzdrževanjem, lahko raven tresljajev tudi odstopa. Le to lahko čez celoten delovni čas znatno zviša obremenitev s tresenjem.

Za natančno oceno obremenitve s tresljaji naj bi se upošteval tudi čas v katerem je naprava izklopljena ali sicer teče, vendar dejansko ni v rabi. Le to lahko obremenitev s tresljaji čez celoten delovni čas znatno zmanjša.

Za zaščito upravljalca pred učinkom tresljajev uvedite dodatne zaščitne ukrepe npr.: Vzdrževanje električnega orodja in orodja, delo s toplimi rokami, organizacija delovnih potekov.

⚠ OPOZORILO! Preberite si vsa varnostna opozorila in navodila. Izostanek upoštevanja varnostnih opozoril in navodil lahko privede do poškodb.
Shranite vsa varnostna opozorila in navodila v prihodnje.

⚠ VARNOSTNA NAVODILA ZA TRAČNE ŽAGE

Kadar izvajate dela pri katerih lahko orodje zadane prikrito električno napeljavo ali lasten vodnik, je napravo potrebno držati za izolirane prijemalne površine.

Stik rezalnega orodja z napetostnim vodnikom napeljave lahko privede kovinske dele naprave pod napetost in vodi do električnega udara.

Nosite zaščito za sluh. Razvijanje hrupa lahko povzroči izgubo sluha.

NADALJNA VARNOSTNA IN DELOVNA OPOZORILO

Uporabite zaščitno opremo. Pri delu s strojem vedno nosite zaščitna očala. Priporočajo se zaščitna oblačila, kot npr. maska za zaščito proti prahu, zaščitne rokavice, trdno in nedrseče obuvanje, čelada in zaščita za sluh.

Prah, ki nastaja pri delu, je pogosto zdravju škodljiv in naj ne zaide v telo. Nosite ustrežno masko proti prahu.

Obdelava materialov, iz katerih izhajajo ogroženosti zdravja (npr. azbest), ni dovoljena.

V primeru blokade orodja napravo takoj izklopite! Naprave ponovno ne vklopljajte dokler je orodje blokirano; pri tem bi lahko prišlo do povratnega udara z velikim reakcijskim momentom. Ugotovite in odpravite vzroke blokade orodja ob upoštevanju varnostnih navodil.

Možni razlogi so lahko:

- Zagozditev v obdelovancu

- prežganje obdelovanega materiala
- Preobremenitev električnega orodja

Ne segajte v stroj v teku.

Orodje lahko med uporabo postane vroče.

OPOZORILO! Nevarnost opeklin

- pri menjavi orodja
- pri odlaganju naprave

Trske ali iveri se pri tekočem stroju ne smejo odstranjevati.

Vedno pazite, da se priključni kabel ne približa področju delovanja stroja. Kabel vedno vodite za strojem.

Obdelovanec zavarujte z vpenjalno pripravo. Nezavarovani obdelovanci lahko povzročijo težke poškodbe in okvare.

Pred vsemi deli na stroju izvlecite vtiča iz vtičnice.

Napokani listi žage in taki, ki so spremenili svojo obliko, se ne smejo uporabljati!

Vodilni locen naj se pri žaganju vedno prilega k obdelovalnemu kosu.

Stroja ne vklopite, če se list žage dotika materiala. Najprej vklopite stroj, šele nato žagajte material.

Če se list žage zatakne, stroj takoj izklopite in ko se list žage zaustavi, ga izvlecite iz materiala. Stroja nikoli ne vklopite ponovno, če se list žage še dotika materiala.

UPORABA V SKLADU Z NAMEMBNOSTJO

Tračna žaga je uporabna za žaganje ravnih rezov v različne vrste kovin kot npr. Kovinski profili (UniStrut), cevi, suha gradbena stojala, kanali za kable, aluminjski profili, pločevina in plastike.

Ta naprava se sme uporabiti samo v skladu z namembnostjo uporabiti samo za navede namene.

CE-IZJAVA O KONFORMNOSTI

V lastni odgovornosti izjavljamo, da se pod "Tehnični podatki" opisan proizvod ujema z vsemi relevantnimi predpisi smernice 2011/65/EU (RoHS), 2014/30/EU, 2006/42/ES in s sledečimi harmoniziranimi normativnimi dokumenti:

EN 60745-1:2009 + A11:2010
EN 60745-2-20:2009
EN 55014-1:2006 + A1:2009 + A2:2011
EN 55014-2:2015
EN 61000-3-2:2014
EN 61000-3-3:2013
EN 61547:2009
EN 55015:2013
EN 50581:2012

Winnenden, 2017-11-30

Alexander Krug

Alexander Krug
Managing Director



Pooblaščen za izdelavo spisov tehnične dokumentacije.

Techtronic Industries GmbH
Max-Eyth-Straße 10
71364 Winnenden
Germany

OMREŽNI PRIKLJUČEK

Vtičnice v zunanem področju morajo biti opremljene z zaščitnimi stikali za okvarni tok (FI, RCD, PRCD). To zahteva instalacijski predpis za vašo električno napravo. Prosimo, da to pri uporabi naše naprave upoštevate.

Priključite samo na enofazni izmenični tok in samo na omrežno napetost, ki je označena na tipski ploščici. Priključitev je možna tudi na vtičnice brez zaščitnega kontakta, ker obstaja nadgradnja zaščitnega razreda.

Napravo priklopite na vtičnico samo v izklopljenem stanju.

VZDRŽEVANJE

Pazite na to, da so prezračevalne reže stroja vedno čiste.

V kolikor je priključni omrežni vodnik poškodovan, ga je potrebno s strani servisne službe nadomestiti, ker je za ta namen potrebno posebno orodje.

Uporabljajte samo Milwaukee pribor in nadomestne dele. Poskrbite, da sestavne dele, katerih zamenjava ni opisana, zamenjajo v Milwaukee servisni službi (upoštevajte brošuro Garancija/Naslovi servisnih služb).

Po potrebi se lahko pri vaši servisni službi ali direktno pri Techtronic Industries GmbH naroči eksplozijska risba naprave ob navedbi tipa stroja in številke s tipske ploščice Techtronic Industries GmbH, Max-Eyth-Straße 10, 71364 Winnenden, Germany.

SYMBOLE



POZOR! OPOZORILO! NEVARNO!



Pred vsemi deli na stroju izvlecite vtiča iz vtičnice.



Prosimo, da pred uporabo pazno preberete to navodilo za uporabo.



Rok ne imejte v bližini rotirajočih delov.



Pri delu s strojem vedno nosite zaščitna očala.



Nositi zaščitne rokavice



Električnih naprav ni dovoljeno odstranjevati skupaj z gospodinjskimi odpadki. Električne in elektronske naprave je potrebno zbirati ločeno in za okolju prijazno odstranitev, oddati podjetju za reciklažo. Pri krajevem uradu ali vašem strokovnem prodajalcu se pozanimajte glede reciklažnih dvišč in zbirnih mest.



Električno orodje zaščitnega razreda II. Električno orodje, pri katerem zaščita pred električnim udarom ni odvisna zgolj od osnovne izolacije, temveč tudi od tega, da so uporabljeni dodatni ukrepi, kot dvojna ali okrepljena izolacija. Ni priprave za priključek zaščitnega vodnika.



CE-znak



Nacionalna oznaka skladnosti Ukrajina



EurAsian oznaka o skladnosti.

TEHNIČKI PODACI	TRAČNA PILA	BS 125 (220 V - 240 V)	BS 125 (110 V - 120 V)
Broj proizvodnje.....	4482 46 03.....	4482 56 03.....	4482 56 03.....
Snaga nominalnog prijema.....	1100 W.....	1100 W.....	1100 W.....
Broj okretaja praznog hoda.....	0-116 m/min.....	0-116 m/min.....	0-116 m/min.....
Mjere lista pile.....	1139,8 x 12,7 x 0,5 mm.....	1139,8 x 12,7 x 0,5 mm.....	1139,8 x 12,7 x 0,5 mm.....
Max. učinak rezanja pravokutni profili.....	125 x 125 mm.....	125 x 125 mm.....	125 x 125 mm.....
Max. učinak rezanja cijevi.....	Ø 125 mm.....	Ø 125 mm.....	Ø 125 mm.....
Težina po EPTA-proceduri 01/2003.....	6,5 kg.....	6,5 kg.....	6,5 kg.....

Informacije o buci

Mjerne vrijednosti utvrđene odgovarajuće EN 60 745.

A-ocijenjeni nivo buke aparata iznosi tipično:

Nivo pritiska zvuka (Nesigurnost K=3dB(A))..... 90 dB (A)..... 90,2 dB (A)

Nivo učinka zvuka (Nesigurnost K=3dB(A))..... 101 dB (A)..... 101,2 dB (A)

Nositi zaštitu sluha!

Informacije o vibracijama

Ukupne vrijednosti vibracije (Vektor suma tri smjersu)

odmjerene odgovarajuće EN 60745

Rezanje metala

Vrijednost emisije vibracije a_v..... 1,09 m/s²..... 1,27 m/s²

Nesigurnost K=..... 1,5 m/s²..... 1,5 m/s²

UPOZORENJE

Ova u ovim uputama navedena razina titranja je bila izmjerena odgovarajuće jednom u EN 60745 normiranom mjernom postupku i može se upotrijebiti za usporedbu električnog alata međusobno. Ona je prikladna i za privremenu procjenu titrajnog opterećenja.

Navedena razina titranja reprezentira glavne primjene električnog alata. Ukoliko se električni alat upotrebljava u druge svrhe sa odstupajućim primjenjenim alatima ili nedovoljnim održavanjem, onda razina titranja može odstupati. To može titrajno opterećenje kroz cijeli period rada bitno povisiti.

Za točnu procjenu titrajnog opterećenja se moraju uzeti u obzir i vremena u kojima je uređaj isključen ili u kojima doduše radi, ali nije i stvarno u upotrebi. To može titrajno opterećenje bitno smanjiti za vrijeme cijelog radnog perioda.

Utvrđite dodatne sigurnosne mjere za zaštitu poslužioca protiv djelovanja titranja kao npr.: Održavanje električnih alata i upotrebljenih alata, održavanje topline ruku, organizacija i radne postupke.

UPOZORENJE! Pročitajte sigurnosne upute i napomene. Propusti kod pridržavanja sigurnosnih uputa i napomena mogu prouzročiti povrede. **Sačuvajte sve sigurnosne upute za uporabu u budućnosti.**

SIGURNOSNE UPUTE ZA TRAČNU PILU

Držite spravu na izoliranim držačkim površinama kada izvodite radove kod kojih rezački alat može pogoditi skrivene vodove struje ili osobni kabel. Kontakt rezačkog alata sa vodovima koji sprovode napon može metalne dijelove sprave dovesti pod napon i tako dovesti do električnog udara.

Nosite zaštitu za sluh. Djelovanje buke može dovesti do gubitka sluha.

OSTALE SIGURNOSNE I RADNE UPUTE

Upotrebljavati zaštitnu opremu. Kod radova sa strojem uvijek nositi zaštitne naočale. Preporučuje se zaštitna odjeća, kao zaštitna maska protiv prašine, zaštitne rukavice, čvrste i protiv klizanja sigurne cipele, šljem i zaštitu sluha.

Prašina koja nastaje prilikom rada je često nezdrava i ne bi smijela dospjeti u tijelo. Nositi prikladnu zaštitnu masku protiv prašine.

Ne smiju se obrađivati nikakvni materijali, od kojih prijeto opasnost po zdravlje (npr. azbest).

Kod blokiranja alata koji se upotrebljava uređaj molimo odmah isključiti! Uređaj nemojte ponovno uključiti za vrijeme dok je alat koji se upotrebljava blokiran; time može doći do povratnog udara sa visokim reakcijskim momentom.

Pronađite i otklonite uzrok blokiranja alata koji se upotrebljava uz poštivanje sigurnosnih uputa.

Mogući uzroci tome mogu biti:

- Izobličavanje u izratku koji se obrađuje

- Probijanje materijala koji se obrađuje
- Preopterećenje električnog alata

Nemojte sezati u stroj koji radi.

Upotrebljeni alat se može za vrijeme korištenja zagrijati.

UPOZORENJE! Opasnost od opekotina

- kod promjene alata
- kod odlaganja uređaja

Piljevina ili iverje se za vrijeme rada stroja ne smiju odstranjivati.

Priključni kabel uvijek držati udaljenim sa područja djelovanja. Kabel uvijek voditi od stroja prema nazad.

Osigurajte vaš izradak jednim steznim uređenjem. Neosigurani izradci mogu prouzročiti teške povrede i oštećenja.

Prije radova na stroju izvući utikač iz utičnice.

Listovi pile sa pukotinama, koji su promijenili oblik, se ne smiju upotrebljavati!

Vodeći luk kod piljenja uvijek postaviti na radni predmet.

Stroj ne uključiti, ako list pile ne dodiruje materijal. Stroj najprije uključiti i zatim piliti materijal.

Ako se list pile zaglavi, odmah isključiti i stroj nakon umirenja lista pile izvući iz materijala. Stroj nikada ne ponovno uključiti, ako list pile još ne dodiruje materijal.

PROPISNIA UPOTREBA

Tračna pila se upotrebljava za piljenje ravnolinijskih rezova u raznim vrstama metala kao npr. metalnih profila (UniStrut), cijevi, profila za gipsploče, kanala za kablove, aluminijske profile, limove i za rezanje plastike.

Ovaj aparat se smije upotrijebiti samo u određene svrhe kao što je navedeno.

CE-IZJAVA KONFORMNOSTI

Izjavljujemo na osobnu odgovornost, da je proizvod opisan pod "Tehnički podaci", sukladan sa svim relevantnim propisima smjernice 2011/65/EU (RoHS), 2014/30/EU, 2006/42/EC i sa sljedećim harmoniziranim normativnim dokumentima:

EN 60745-1:2009 + A11:2010
 EN 60745-2-20:2009
 EN 55014-1-2006 + A1:2009 + A2:2011
 EN 55014-2:2015
 EN 61000-3-2:2014
 EN 61000-3-3:2013
 EN 61547:2009
 EN 55015:2013
 EN 50581:2012

Winnenden, 2017-11-30

Alexander Krug

Alexander Krug
 Managing Director



Ovlašten za formiranje tehničke dokumentacije.

Techtronic Industries GmbH
 Max-Eyth-Straße 10
 71364 Winnenden
 Germany

PRIKLJUČAK NA MREŽU

Utičnice na vanjskom području moraju biti opremljene zaštitnim prekidačima za pogrešnu struju (FI, RCD, PRCD). To zahtjeva instalacijski propis za električne uređaje. Molimo da ovo poštujuete prilikom upotrebe našeg aparata.

Priključiti samo na jednofaznu naizmjeničnu struju i samo na napon struje, naveden na pločici snage. Priključak je moguć i na utičnice bez zaštitnog kontakta, jer postoji dogradnja zaštitne klase II.

Uređaj priključiti na utičnicu samo kada je isključen.

ODRŽAVANJE

Proreze za prozračivanje stroja uvijek držati čistima.

Ako je mrežni priključni vod oštećen, mora se od strane servisa zamijeniti, zato što je za to potreban specijalan alat.

Primijeniti samo Milwaukee opremu i rezervne dijelove. Sastavne dijelove, čija zamjena nije opisana, dati zamijeniti kod jedne od Milwaukee servisnih službi (poštivati brošuru Garancija/Adrese servisa).

Po potrebi se može zatražiti crtež eksplozije aparata uz davanje podataka o tipu stroja i desetoznamenastog broja na pločici snage kod Vaše servisne službe ili direktno kod Techtronic Industries GmbH, Max-Eyth-Straße 10, 71364 Winnenden, Germany.

SYMBOLE



PAŽNJA! UPOZORENJE! OPASNOST!



Prije radova na stroju izvući utikač iz utičnice.



Molimo da pažljivo pročitate uputu o upotrebi prije puštanja u rad.



Ruke držati udaljene od rotirajućih dijelova.



Kod radova na stroju uvijek nositi zaštitne naočale.



Nositi zaštitne rukavice!



Električni uređaji se ne smiju zbrinjavati skupa sa kućnim smećem. Električni uređaji se moraju skupljati odvojeno i predati na zbrinjavanje primjereno okolišu jednom od pogona za iskorišćavanje. Raspitajte se kod mjesnih vlasti ili kod stručnog trgovca u svezi gospodarstva za recikliranje i mjesta skupljanja.



Električni alat zaštitne kategorije II. Električni alat, čija zaštita od jednog električnog udara ne zavisi samo od osnovne izolacije, već i od toga, da se primijene dodatne zaštitne mjere, kao što su dvostruka izolacija ili pojačana izolacija. Ne postoji nikakva naprava za priključak nekog zaštitnog voda.



Oznaka-CE



Nacionalni znak konformnosti Ukrajina



EurAsian znak konformnosti.

TEHNISKIE DATI	ZĀGI	BS 125 (220 V - 240 V)	BS 125 (110 V - 120 V)
Izlaides numurs	4482 46 03.....	4482 56 03.....	4482 56 03.....
Nominālā atdotā jauda.....	...000001-999999	...000001-999999	...000001-999999
Tukšgaitas ap griezienu skaits	1100 W.....	1100 W.....	1100 W.....
Zāģa plātnes izmēri	0-116 m/min.....	0-116 m/min.....	0-116 m/min.....
Maks. griešanas jauda tainstūra profils	1139,8 x 12,7 x 0,5 mm.....	1139,8 x 12,7 x 0,5 mm.....	1139,8 x 12,7 x 0,5 mm.....
Maks. griešanas jauda caurule	125 x 125 mm.....	125 x 125 mm.....	125 x 125 mm.....
Svars atbilstoši EPTA -Procedure 01/2003	Ø 125 mm.....	Ø 125 mm.....	Ø 125 mm.....
	6,5 kg.....	6,5 kg.....	6,5 kg.....

Trokšņu informācija

Vērtības, kas noteiktas saskaņā ar EN 60 745.

A novērtētās aparatūras skaņas līmenis ir:

Trokšņa spiediena līmenis (Nedrošība K=3dB(A))..... 90 dB (A)..... 90,2 dB (A)

Trokšņa jaudas līmenis (Nedrošība K=3dB(A))..... 101 dB (A)..... 101,2 dB (A)

Nēsāt trokšņa slāpētāju!

Vibrāciju informācija

Svārstību kopējā vērtība (Trīs virzienu vektoru summtiek

noteikta atbilstoši EN 60745.

Metāla zāģis

Svārstību emisijas vērtība a_h 1,09 m/s²..... 1,27 m/s²

Nedrošība K=..... 1,5 m/s²..... 1,5 m/s²

UZMANĪBU

Instrukcijā norādītā svārstību robežvērtība ir izmērīta mērījumu procesā, kas veikts atbilstoši standartam EN 60745, un to var izmantot elektroinstrumentu savstarpējai salīdzināšanai. Tā ir piemērojama arī svārstību noslogojuma pagaidu izvērtēšanai.

Norādītā svārstību robežvērtība ir reprezentatīva elektroinstrumenta pamata pielietojuma jomām. Tomēr, ja elektroinstrumentus tiek pielietots citās jomās, papildus izmantojot neatbilstošus elektroinstrumentus vai pēc nepietiekamas tehniskās apkopes, tad svārstību robežvērtība var atšķirties. Tas var ievērojami palielināt svārstību noslogojumu visa darba laikā.

Precīzai svārstību noslogojuma noteikšanai, ir jāņem vērā arī laiks, kad ierīces ir izslēgtas vai arī ir ieslēgtas, tomēr faktiski netiek lietota. Tas var ievērojami samazināt svārstību noslogojumu visa darba laikā.

Integrējiet papildus drošības pasākumus pret svārstību ietekmi lietotājam, piemēram: elektroinstrumentu un darba instrumentu tehniskā apkope, roku siltuma uzturēšana, darba procesu organizācija.

⚠ UZMANĪBU! Izlasiet visus drošības norādījumus un noteikumus. Drošības norādījumu un noteikumu neievērošana var izraisīt savainojumus. **Saglabāiet visus drošības norādījumus un noteikumus nākotnē.**

⚠ LENTZĀGA DROŠĪBAS NORĀDES

Leļi turiet aiz izolētiem rokturiem, ja veicat darbus, kuros griešanas darbiem izmantojamais instruments var skart paslēptus elektrovadus vai pats savu kabeli. Šī instrumenta saskare ar strāvu vadošiem kabeļiem var radīt spriegumu arī ierīces metālliskajās daļās un var izraisīt elektrisko triecienu.

Nēsājiet ausu aizsargus. Trokšņa iedarbības rezultātā var rasties dzirdes traucējumi.

CITAS DROŠĪBAS UN DARBA INSTRUKCIJAS

Jāizmanto aizsargapriekojums. Strādājot ar mašīnu, vienmēr jānēsā aizsargbrilles. Ieteicams nēsāt aizsargapģērbu, kā piemēram, aizsargmasku, aizsargcimdus, kurpes no stingra un neslīdīga materiāla, ķiveri un ausu aizsargus.

Putekļi, kas rodas darba gaitā, bieži ir kaitīgi veselībai un tiem nevajadzētu nokļūt organismā. Jānēsā piemērota maska, kas pasargā no putekļiem.

Nedrīkst apstrādāt materiālus, kas rada draudus veselībai (piemēram, azbestu).

Ja izmantojamais darba rīks tiek bloķēts, nekavējoties izslēgt ierīci! Neieslēdziet ierīci, kamēr izmantojamais darba rīks ir bloķēts; var rasties atsitiens ar augstu griezes momentu. Noskaidrojiet un novērsiet izmantojamā darba rīka bloķēšanas iemeslu, ievērojot visas drošības norādes.

Iespējamie iemesli:

- iesprūdis apstrādājamajā materiālā
- apstrādājamais materiāls ir caursists

- elektroinstrumenti ir pārslogoti

Leslēgtai ierīcei nepieskarties.

Izmantojamais darba rīks darba gaitā var stipri sakarst.

UZMANĪBU! Bīstamība apdedzināties

- veicot darba rīka nomaiņu
- noliekot iekārtu

Skaidas un atlūzas nedrīkst ņemt ārā, kamēr mašīna darbojas.

Pievienojuma kabeli vienmēr turēt atstatu no mašīnas darbības lauka. Kabelim vienmēr jāatrodas aiz mašīnas.

Fiksējiet apstrādājamo materiālu ar fiksācijas aprīkojumu. Nenostiprināti materiāli var izraisīt smagus savainojumus un bojājumus.

Pirms jebkādiem darbiem, kas attiecas uz mašīnas apkopi, mašīnu noteikti vajag atvienot no kontaktlīdza.

Saplaisājušas zāģu ripas un tādas, kas ir izmainījušas savu formu, nedrīkst izmantot.

Vadotnes rullītis vienmēr jānovietu uz apstrādājamās detaļas.

Mašīnu nedrīkst ieslēgt, ja zāģa ripa saskaras ar apstrādājamo materiālu. No sākuma jāieslēdz mašīna, un tikai tad drīkst zāģēt materiālu.

Ja zāģa ripa ir iesprūdsi, mašīnu nepieciešams nekavējoties izslēgt un pēc tam, kad tā beigušas darboties, izvilk zāģa ripu no materiāla. Mašīnu nekādā gadījumā nedrīkst ieslēgt, ja zāģa ripa ir saskarē ar materiālu.

NOTEIKUMIEM ATBILSTOŠS IZMANTOJUMS

Lentes zāģi izmanto dažādu veidu metālu, piemēram, metāla profilu (UniStrut), cauruļu, sauso būvju sastatņu, kabeļu kanālu, alumīnija profilu, skārdu, un plastmasas zāģēšanai pa taisnu līniju.

Šo instrumentu drīkst izmantot tikai saskaņā ar minētajiem lietošanas noteikumiem.

ATBILSTĪBA CE NORMĀM

Mēs apliecinām, ka produkts, kura tehniskie parametri aprakstīti "tehnisko datu lapā", pilnībā atbilst prasībām saskaņā ar direktīvām 2011/65/EU (RoHS), 2014/30/ES, 2006/42/EK un attiecīgajiem harmonizētajiem normatīvajiem dokumentiem:

EN 60745-1:2009 + A11:2010

EN 60745-2-20:2009

EN 55014-1-2:2006 + A1:2009 + A2:2011

EN 55014-2:2015

EN 61000-3-2:2014

EN 61000-3-3:2013

EN 61547:2009

EN 55015:2013

EN 50581:2012

Winnenden, 2017-11-30

Alexander Krug
Managing Director



Pilnvarotais tehniskās dokumentācijas sastādīšana.

Techtronic Industries GmbH

Max-Eyth-Straße 10

71364 Winnenden

Germany

TĪKLA PIESLĒGUMS

Kontaktlīdždām, kas atrodas ārpus telpām jābūt aprīkotām ar automātiskiem drošinātājslēdzīem, kas nostrādā, ja strāvas plūsmā radušies (FI, RCD, PRCD) bojājumi. To pieprasa jūsu elektroiekārtas instalācijas noteikumi. Lūdzu, to ņemt vērā, izmantojot mūsu instrumentus.

Pieslēgt tikai vienpola maiņstrāvas tīklam un tikai spriegumam, kas norādīts uz jaudas paneļa. Pieslēgums iespējams arī kontaktlīdždām bez aizsargkontaktiem, jo rura ir par uzbūvi, kas atbilst II. aizsargklasei.

Instrumentu pieslēgt kontaktlīdždai tikai izslēgtā stāvoklī.

APKOPE

Vajag vienmēr uzmanīti, lai būtu tīras dzesēšanas atveres.

Ja ir bojāts tīkla pieslēguma vads, tad tā apmaina jāuzdod klientu apkalpošanas servisam, kuram ir nepieciešamie speciālie darba rīki.

Izmantojiet tikai firmu Milwaukee piederumus un firmas rezerves daļas. Lieciet nomainīt detaļas, kuru nomaiņa nav aprakstīta, kādā no firmu Milwaukee klientu apkalpošanas servisiem. (Skat. brošūru "Garantija/klientu apkalpošanas serviss".)

Ja nepieciešams, klientu apkalpošanas servisā vai tieši pie firmas Techtronic Industries GmbH, Max-Eyth-Straße 10, 71364 Winnenden, Germany, var pieprasīt instrumenta numurs, kas norādīts uz jaudas paneļa.

SYMBOLI



UZMANĪBU! BĪSTAMI!



Pirms jebkādiem darbiem, kas attiecas uz mašīnas apkopi, mašīnu noteikti vajag atvienot no kontaktlīdžas.



Pirms sākt lietot instrumentu, lūdzu, izlasiet lietošanas pamācību.



Nepieskarities kustīgajām daļām.



Strādājot ar mašīnu, vienmēr jānēsā aizsargbrilles.



Jāvalkā aizsargcimdi!



Elektroiekārtas nedrīkst izmest kopā ar sadzīves atkritumiem. Elektriskās un elektroniskās iekārtas ir jāsavāc atsevišķi un jānodod pārstrādes uzņēmumam, kas no tām atbrīvosies dabai draudzīgā veidā. Meklējiet atbilstošās pārstrādes poligonus un savākšanas punktus vietējās pārvaldes iestādēs vai pie preces pārdevēja.



II aizsardzības klases elektroinstrumenti. Elektroinstrumenti, kuram aizsardzība pret elektrisko triecienu ir atkarīga ne tikai no pamata izolācijas, bet arī no tā, ka tiek piemēroti papildu aizsardzības pasākumi, piemēram, dubultā izolācija vai pastiprināta izolācija. Aizsarga pieslēgšanai instrumenti nav paredzēti.



CE marķējums



Ukrainas nacionālais atbilstības simbols



EurAsian atbilstības marķējums.

TECHNINIAI DUOMENYS**ZĄGI****BS 125 (220 V - 240 V)****BS 125 (110 V - 120 V)**

Produkto numeris	4482 46 03.....	4482 56 03.....
Vardinė imamoji galia000001-999999	..000001-999999
Sūkių skaičius laisva eiga1100 W.....	..1100 W.....
Ząga plėtnės izmėri0-116 m/min.....	..0-116 m/min.....
Maks. pjovimo galia stačiakampiai profiliai	1139,8 x 12,7 x 0,5 mm.....	1139,8 x 12,7 x 0,5 mm.....
Maks. pjovimo galia vamzdžiai	125 x 125 mm.....	125 x 125 mm.....
Prietaiso svoris įvertintas pagal EPTA 2003/01 tyrimų metodiką	Ø 125 mm.....	Ø 125 mm.....
	6,5 kg.....	6,5 kg.....

Informacija apie keliamą triukšmą

Vertės matuotos pagal EN 60 745.

Įvertintas A įrenginio keliamo triukšmo lygis dažniausiai sudaro:

Garso slėgio lygis (Paklaida K=3dB(A))	90 dB (A).....	90,2 dB (A).....
Garso galios lygis (Paklaida K=3dB(A))	101 dB (A).....	101,2 dB (A).....

Nešioti klausos apsauginės priemonės!**Informacija apie vibraciją**

Bendroji svyravimų reikšmė (trijų krypčių vektorių suma), nustatyta remiantis EN 60745.

Metalo pjovimas

Vibravimų emisijos reikšmė a _h	1,09 m/s ²	1,27 m/s ²
Paklaida K=	1,5 m/s ²	1,5 m/s ²

DĖMESIO

Instrukcijoje nurodyta svyravimų ribinė vertė yra išmatuota remiantis standartu EN 60745; ji gali būti naudojama keliems elektriniams instrumentams palyginti. Ji taikoma ir laikinai įvertinti svyravimų aprova.

Nurodyta svyravimų ribinė vertė yra taikoma pagrindinėse elektrinio instrumento naudojimo srityse. Svyravimų ribinė vertė gali skirtis naudojant elektrinį instrumentą kitose srityse, papildomai naudojant netinkamus elektrinius instrumentus arba juos nepakankamai techniškai prižiūrint. Dėl to viso darbo metu gali žymiai padidėti svyravimų aprova.

Siekiant tiksliai nustatyti svyravimų aprova, būtina atsižvelgti ir į laikotarpį, kai įrenginys yra išjungtas arba įjungtas, tačiau faktiškai nenaudojamas. Dėl to viso darbo metu gali žymiai sumažėti svyravimų aprova.

Siekiant apsaugoti vartotojus nuo svyravimo įtakos naudojamos papildomos saugos priemonės, pavyzdžiui, elektrinių darbo instrumentų techninė priežiūra, rankų šilumos palaikymas, darbo procesų organizavimas.

⚠ ĮSPĖJIMAS! Perskaitykite visus saugumo nurodymus ir instrukcijas. Nesilaikant saugumo nurodymų ir instrukcijų galimi sužalojimai.

⚠ Ateičiai išsaugokite visus saugumo nurodymus ir instrukcijas.

SAUGOS NURODYMAI JUOSTINĖMS STAKLĖMS

Dirbdami laikykite prietaisą už izoliuotų vietų, kuriose pjovimo įrenginys pats galėtų liesti paslėptus laidus arba savo paties laidą. Pjovimo įrenginio kontaktas su įtampos laidais gali įelektrinti metalines prietaiso dalis, o tai gali sukelti elektros išprovokaciją.

Nešioti klausos apsaugos priemonės. Triukšmo poveikyje galima netekti klausos.

KITI SAUGUMO IR DARBO NURODYMAI

Dėvėkite apsaugines priemones. Dirbdami su mašina visada užsidėkite apsauginius akinius. Rekomenduotina dėvėti apsaugines priemones: apsaugos nuo dulkių respiratorius, apsaugines pirštines, kietus batus neslidžiais padais, šalną ir klausos apsaugos priemones.

Darbo metu susidaranti dulka gali būti kenksmingos sveikatai ir todėl turėtų nepatekti į organizmą. Dėvėti tinkamą apsauginę kaukę nuo dulkių.

Negalima apdirbti medžiagų, dėl kurių galimi sveikatos pažeidimai (pvz., asbesto).

Blokuojant įstatomąjį įrankį būtina išjungti prietaisą! Neįjunkite prietaiso, kol įstatomasis įrankis yra užblokuotas; galimas grįžtamasis smūgis su dideliu sukimo momentu. Atsižvelgdami į saugumo nurodymus, nustatykite ir pašalinkite įstatomojo įrankio blokavimo priežastį.

Galimos priežastys:

- Susidariusios apdirbimo ruošinio briaunos

- Apdirbamos medžiagos pratrūkimai
- Elektros įrankio perkrova

Nekiškite rankų į veikiančią mašiną.

Naudojamas įstatomasis įrankis gali įkaisti.

DĖMESIO! Pavojus nusidėginti

- keičiant įrankį
- padedant prietaisą

Draudžiama išiminti drožles ar nuopjovas, įrenginiui veikiant.

Maitinimo kabelis turi nebūti įrenginio poveikio srityje. Kabelį visada nuveskite iš galinės įrenginio pusės.

Ruošinį užfiksuokite įtempimo įrenginiu. Neužfiksuoti ruošiniai gali sunkiai sužaloti ir būti pažeidimų priežastimi.

Prieš atlikdami bet kokius įrenginyje, ištraukite iš lizdo kištuką.

Įtrūkusių arba pakitusios formos pjovimo diskus naudoti draudžiama!

Pjaudami kreipiamąjį rėmą visada priglauskite prie apdorojamos detalės.

Nejunkite įrenginio, jei pjovimo diskas liečia medžiagą. Pirmiausia įjunkite įrenginį, tada įjunkite medžiagą.

Jei pjovimo diskas užstringa, įrenginį tuoj pat išjunkite ir, pjovimo diskui sustojus, ištraukite jį iš medžiagos. Niekada vėl nejunkite įrenginio, kol pjovimo diskas dar liečia medžiagą.

NAUDOJIMAS PAGAL PASKIRTĮ

Lentes žągi lieto lai žągėtu dažada veida taisnus griezumus metālos, kā piem. metāla profilos (UniStrut), caurulēs, celtniecības sastatnēs, kabelu kanālos, alumīnija profilos, skārdos un plastmasu zāgēšanai.

Šį prietaisą leidžiama naudoti tik pagal nurodytą paskirtį.

CE ATITIKTIKIS PAREIŠKIMAS

Remiantis bendrais atsakomybės reikalavimais pareiškiamame, jog skyriuje "Techniniai duomenys" aprašytas produktas atitinka visus toliau pateiktų juridinių direktyvų reikalavimus: 2011/65/EU (RoHS), 2014/30/ES, 2006/42/EB ir kitus su jomis susijusius norminius dokumentus:

EN 60745-1:2009 + A11:2010
 EN 60745-2-20:2009
 EN 55014-1:2006 + A1:2009 + A2:2011
 EN 55014-2:2015
 EN 61000-3-2:2014
 EN 61000-3-3:2013
 EN 61547:2009
 EN 55015:2013
 EN 50581:2012

Winnenden, 2017-11-30


Alexander Krug
Managing Director

Įgalios parengti techninius dokumentus.

Techtronic Industries GmbH
 Max-Eyth-Straße 10
 71364 Winnenden
 Germany

ELEKTROS TINKLO JUNGTIŠ

Lauke esantys el. lizdai turi būti su gedimo srovės išjungikliais. Tai nurodyta Jūsų elektros įrenginio instaliacijos taisyklėse (FI, RCD, PRCD). Atsižvelkite į tai, naudodami prietaisą.

Jungti tik prie vienfazės kintamos elektros srovės ir tik į specifikuojamą lentelėje nurodytos įtampos elektros tinklą. Konstrukcijos saugos klasė II, todėl galima jungti ir į lizdus be apsauginio kontakto.

Į elektros tinklą junkite tik išjungtą prietaisą.

TECHNINIS APTARNAVIMAS

Įrenginio vėdinimo angos visada turi būti švarios.

Jeigu pažeistas elektros laidas, pakeiskite jį remonto dirbtuvėje, nes tam reikia specialaus prietaiso.

Naudokite tik Milwaukee priedus ir atsargines dalis. Dalis, kurių keitimas neaprašytas, leidžiama keisti tik Milwaukee klientų aptarnavimo skyriams (žr. garantiją/klientų aptarnavimo skyrių adresus brošiūroje).

Jei reikia, nurodant įrenginio tipą bei specifikuojamą lentelėje esantį numerį, iš klientų aptarnavimo skyriaus arba tiesiai iš Techtronic Industries GmbH, Max-Eyth-Straße 10, 71364 Winnenden, Germany, galima užsisakyti prietaiso surinkimo brėžinius.

SYMBOLIAI

DĖMESIO! ĮSPĖJIMAS! PAVOJUS!



Prieš atlikdami bet kokius įrenginyje, ištraukite iš lizdo kištuką.



Prieš pradėdami dirbti su prietaisu, atidžiai perskaitykite jo naudojimo instrukciją.



Laikykite rankas atokiai nuo besisukančių dalių.



Dirbdami su įrenginiu visada nešioti apsauginius akinius.



Lietojiet aizsardzības cimdus!



Elektros prietaisų negalima išmesti kartu su buitinėmis atliekomis. Būtina rūšiuoti elektros ir elektroninius prietaisus ir atiduoti į atliekų perdirbimo centrą, kad jie būtų utilizuoti neteršiant aplinkos. Informacijos apie perdirbimo centrus ir atliekų surinkimo įstaigas teiraukitės vietos įstaigoje arba prekybininko.



II apsaugos klasės elektrinis įrankis. Šio elektrinio įrankio apsauga nuo elektros smūgio priklauso ne tik nuo pagrindinės izoliacijos, bet ir nuo to, kaip naudojamos papildomos apsauginės priemonės, tokios kaip dviguba arba pagerinta izoliacija. Nėra jokio prietaiso apsauginio laido pajungimui.



CE ženklas



Nacionalinė atitikties žyma Ukrainoje



„EurAsian“ atitikties ženklas.

TEHNILISED ANDMED LINTSAAGI BS 125 (220 V - 240 V) BS 125 (110 V - 120 V)

Tootmisnumber	4482 46 03.....	4482 56 03... ..000001-999999	4482 56 03... ..000001-999999
Nimitarbimine.....	1100 W.....	1100 W.....	1100 W.....
Pöörlemiskiirus tühijoosul	0-116 m/min.....	0-116 m/min.....	0-116 m/min.....
Saelehe mõõdud	1139,8 x 12,7 x 0,5 mm	1139,8 x 12,7 x 0,5 mm	1139,8 x 12,7 x 0,5 mm
Max löikevõimsus nelinurksed profiilid	125 x 125 mm	125 x 125 mm	125 x 125 mm
Max löikevõimsus torud.....	∅ 125 mm	∅ 125 mm	∅ 125 mm
Kaal vastavalt EPTA-protseduurile 01/2003	6,5 kg.....	6,5 kg.....	6,5 kg.....

Müra andmed
Mõõteväärtused on kindlaks tehtud vastavalt normile EN 60745.
Seadme tüüpiline hinnanguline (A) müratase:
Helirõhutase (Määramatus K=3dB(A)) 90 dB (A) 90,2 dB (A)
Helivõimsuse tase (Määramatus K=3dB(A)) 101 dB (A) 101,2 dB (A)

Kandke kaitseks kõrvklappe!
Vibratsiooni andmed
Vibratsiooni koguväärtus (kolme suuna vektorsummõõdetud EN 60745 järgi).
Metalli saagimine
Vibratsiooni emissiooni väärtus a_h 1,09 m/s² 1,27 m/s²
Määramatus K= 1,5 m/s² 1,5 m/s²

TÄHELEPANU
Antud juhendis toodud võnketase on mõõdetud EN 60745 standardile vastava mõõtesüsteemiga ning seda võib kasutada erinevate elektriseadmete omavahelises võrdlemises. Antud näitaja sobib ka esmaseks võnkekoormuse hindamiseks.

Antud võnketase kehtib elektriseadme kasutamisel sihtotstarbeliselt. Kui elektriseadet kasutatakse muudel otstarvetel, muude tööriistadega või seda ei hooldata piisavalt võib võnketase siintoodust erineda. Eeltoodu võib võnketaset märkimisväärselt tõsta terves töökeskkonnas.

Võnketaseme täpseks hindamiseks tuleks arvestada ka aega, mil seade on välja lülitatud või on küll sisse lülitatud, kuid ei ole otseselt kasutuses. See võib märgatavalt vähendada kogu töökeskkonna võnketaset.

Rakendage spetsiaalseid ettevaatusabinõusid töötajate suhtes, kes puutuvad töö käigus palju kokku vibratsiooniga. Nendeks abinõudeks võivad olla, näiteks: elektri- ja tööseadmete korraline hooldus, käte soojendamine, töövoo parem organiseerimine.

⚠ HOIATUS! Lugege kõiki ohutusjuhiseid ja korraldusi. Hoolimatus ohutusjuhised ja korraldused kinnipidamisel võib põhjustada vigastusi.
Hoidke kõik ohutusjuhised ja korraldused tulevikus alles.

⚠ OHUTUSJUHISED LINTSAELE

Tööde puhul, kus löikeseade võib minna vastu peidetud elektrijuhtmeid või seadme enda toitejuhet, hoidke kinni seadme isoleeritud käepidemetest. Kokkupuude pingestatud juhtmega võib pingestada ka löikeseadme metallist osad ning põhjustada elektrilöögi.

Kandke kaitseks kõrvklappe. Müra mõju võib kutsuda esile kuulmise kaotuse.

EDASISED OHUTUS- JA TÖÖJUHISED

Kasutada kaitsevarustust. Masinaga töötamisel kanda alati kaitseprille. Kaitseriietusena soovitatakse kasutada tolumumaski kaitsekindaid, kinniseid ja libisemisvastase tallaga jalanõusid, kiivrit ja kuulmisteede kaitset.
Töö ajal tekkiv tolm on sageli tervistkahjustav ning ei tohiks sattuda organismi. Kanda sobivat kaitsemaski.

Töödelda ei tohi materjale, millest lähtub oht tervisele (nt asbest).

Palun lülitage seade rakendustööriista blokeerumise korral kohe välja! Ärge lülitage seadet sisse tagasi, kuni rakendustööriist on blokeeritud; seejuures võib kõrge reaktsioonimomendiga tagasilöökk tekkida. Tehke ohutusjuhiseid arvesse võttes kindlaks ja kõrvaldage rakendustööriista blokeerumise põhjus.

Selle võimalikeks põhjusteks võivad olla:
• viltu asetumine töödeldavas toorikus

- töödeldava materjali läbimurdamine
 - elektritööriista ülekoormamine
- Ärge sisestage jäsemeid töötavasse masinasse.
Rakendustööriist võib kasutamise ajal kuumaks minna.
TÄHELEPANU! Põletusohu
• tööriista vahetamisel
• seadme ärapanemisel

Puru ega pilpaid ei tohi eemaldada masina töötamise ajal.
Hoidke ühendusjuhe alati masina tööpiirkonnast eemal.
Vedage juhe alati masinast tahapoole.

Kinnitage toorik kinnipingutusseadisele. Kinnitamata toorikud võivad raskeid vigastusi ja kahjustusi põhjustada.

Enne kõiki töid masina kallal tõmmake pistik pistikupesast välja.

Mõranenud ning deformeerunud saelehti ei tohi kasutada!
Saagimisel asetage juhtkaar alati toorikule toeks.

Ärge lülitage masinat sisse kui saeleht on vastu materjali.
Lülitage masin kõigepealt sisse ning alles siis hakake saagima.

Juhul, kui saeleht peaks kinni kiiluma, lülitage masin kohe välja ja tõmmake pärast saelehe seisumist materjalist välja. Ärge kunagi lülitage masinat uuesti sisse siis, kui saeleht on vastu materjali.

KASUTAMINE VASTAVALT OTSTARBELE

Lintsaagi saab rakendada sirgjooneliste lõigete saagimiseks erinevasse metalliikiidesse, nagu nt metallprofiilidesse (UniStrut), torudesse, kuivmaterjalist konstruktsioonidesse, kaablikanalitesse, alumiiniumprofiilidesse, plekkidesse ning kunstmaterjali saagimiseks.


Antud seadet tohib kasutada ainult vastavalt äranäidatud otstarbele.


EÜ VASTAVUSAVALDUS

Me deklareerime ainuisikuliselt vastutades, et lõigus "Tehnilised andmed" kirjeldatud toode vastab direktiivide 2011/65/EU (RoHS), 2014/30/EU, 2006/42/EÜ kõigile olulisele tähtsusega eeskirjadele ning järgmistele harmoniseeritud normatiivsetele dokumentidele:

- EN 60745-1:2009 + A11:2010
- EN 60745-2-20:2009
- EN 55014-1:2006 + A1:2009 + A2:2011
- EN 55014-2:2015
- EN 61000-3-2:2014
- EN 61000-3-3:2013
- EN 61547:2009
- EN 55015:2013
- EN 50581:2012

Winnenden, 2017-11-30


Alexander Krug
Managing Director



On volitatud koostama tehnilist dokumentatsiooni.
Techronic Industries GmbH
Max-Eyth-Straße 10
71364 Winnenden
Germany

VÕRKU ÜHENDAMINE

Väliingimustes asuvad pistikupesad peavad olema varustatud rikkivoolukaitselülititega (FI, RCD, PRCD). Seda nõutakse Teie elektriseadme installeerimiseeskirjas. Palun pidage sellest meie seadme kasutamisel kinni.

Ühendage ainult ühefaasilise vahelduvvooluga ning ainult andmesildil toodud võrgupingega. Ühendada on võimalik ka kaitsekontaktita pistikupesadesse, kuna nende konstruktsioon vastab kaitseklassile II.

Ühendage seade pistikupesasse ainult välja lülitatult.

HOOLDUS


Hoidke masina ohutuspiilud alati puhtad.
Kui võrguühenduskaabel on kahjustatud, tuleb see spetsiaalsete tööriistade kasutamise tõttu lasta välja vahetada klienditeeninduses, Text hier anhängen.




Kasutage ainult Milwaukee tarvikuid ja tagavaraosi. Detailid, mille väljavahetamist pole kirjeldatud, laske välja vahetada Milwaukee klienditeeninduspunkti (vaadake brošüüri garantii / klienditeeninduste aadressid).

Vajaduse korral võite tellida seadme läbilõikejoonise, näidates ära masina tüübi ja andmesildil oleva numbriga. Selleks pöörduge klienditeeninduspunkti või otse: Techtronic Industries GmbH, Max-Eyth-Straße 10, 71364 Winnenden, Germany.

SÜMBOLID

-  ETTEVAATUST! TÄHELEPANU! OHUD!
-  Enne kõiki töid masina kallal tõmmake pistik pistikupesast välja.
-  Palun lugege enne käikulaskmist kasutusjuhend hoolikalt läbi.
-  Hoidke oma käed pöörlevatest osadest eemal.
-  Masinaga töötades kandke alati kaitseprille.
-  Kanda kaitsekindaid!
-  Elektriseadmeid ei tohi utiliseerida koos majapidamisprügiga. Elektrilised ja elektroonilised seadmed tuleb eraldi kokku koguda ning keskkonnasõbralikuks utiliseerimiseks vastavas käitlusettevõttes ära anda. Küsige kohalikest pädevatest ametitest või edasimüüjalt käitlusjaamade ja kogumispunktide kohta järele.

 Kaitseklassi II elektritööriist. Elektritööriist, mille puhul ei sõltu kaitse mitte üksnes baasisolatsioonist, vaid ka täiendavate kaitsemeetmete nagu topeltisolatsiooni või tugevdatud isolatsiooni kohaldamisest. Mehhanism kaitsejuhi ühendamiseks puudub.

-  CE-märk
-  Ukraina riiklik vastavusmärk
-  Euraasia vastavusmärk.

ТЕХНИЧЕСКИЕ ДАННЫЕ ЛЕНТОЧНАЯ ПИЛА BS 125 (220 V - 240 V) BS 125 (110 V - 120 V)

Серийный номер изделия	4482 46 03.....	4482 56 03...
Номинальная выходная мощность	1100 W	1100 W
Число оборотов без нагрузки	0-116 m/min	0-116 m/min
Размеры ленточной пилы	1139,8 x 12,7 x 0,5 mm	1139,8 x 12,7 x 0,5 mm
Макс. производительность резания рямоугольные профили	125 x 125 mm	125 x 125 mm
Макс. производительность резания оруды	Ø 125 mm	Ø 125 mm
Вес согласно процедуре EPTA 01/2003	6,5 kg	6,5 kg

Информация по шумам

Значения замерялись в соответствии со стандартом EN 60 745.

Уровень шума прибора, определенный по показателю A, обычно составляет:

Уровень звукового давления (Небезопасность K=3dB(A))	90 dB (A)	90,2 dB (A)
Уровень звуковой мощности (Небезопасность K=3dB(A))	101 dB (A)	101,2 dB (A)

Пользуйтесь приспособлениями для защиты слуха.

Информация по вибрации

Общие значения вибрации (векторная сумма трех направлений) определены в соответствии с EN 60745.

Пиление металла

Значение вибрационной эмиссии a _h	1,09 m/s ²	1,27 m/s ²
Небезопасность K=	1,5 m/s ²	1,5 m/s ²

ВНИМАНИЕ

Указанный в настоящем руководстве уровень вибрации измерен в соответствии с технологией измерения, установленной стандартом EN 60745 и может использоваться для сравнения электроинструментов друг с другом. Он также подходит для предварительной оценки вибрационной нагрузки.

Указанный уровень вибрации представляет основные виды использования электроинструмента. Но если электроинструмент используется для других целей, используемый инструмент отклоняется от указанного или техническое обслуживание было недостаточным, то уровень вибрации может отклоняться от указанного. В этом случае вибрационная нагрузка в течение всего периода работы значительно увеличивается

Для точной оценки вибрационной нагрузки необходимо также учитывать время, в течение которого прибор отключен или включен, но фактически не используется. В этом случае вибрационная нагрузка в течение всего периода работы может существенно уменьшиться.

Установите дополнительные меры безопасности для защиты пользователя от воздействия вибрации, например: техническое обслуживание электроинструмента и используемого инструмента, поддержание рук в теплом состоянии, организация рабочих процессов.

ПРЕДУПРЕЖДЕНИЕ! Прочтите все указания по безопасности и инструкции. Несоблюдение указаний по безопасности и инструкций может стать причиной получения травм. Сохраните все указания по безопасности и инструкции для будущего использования.

УКАЗАНИЯ ПО БЕЗОПАСНОСТИ ДЛЯ ЛЕНТОЧНОЙ ПИЛЫ

Если Вы выполняете работы, при которых режущий инструмент может зацепить скрытую электропроводку или собственный кабель, инструмент следует держать за специально предназначенные для этого изолированные поверхности. Контакт режущего инструмента с токоведущим проводом может ставить под напряжение металлические части прибора, а также приводить к удару электрическим током.

Используйте наушники! Воздействие шума может привести к потере слуха.

ДОПОЛНИТЕЛЬНЫЕ УКАЗАНИЯ ПО БЕЗОПАСНОСТИ И РАБОТЕ

Пользоваться средствами защиты. Работать с инструментом всегда в защитных очках. Рекомендуется спецодежда: пылезащитная маска, защитные перчатки, прочная и нескользящая обувь, каска и наушники.

Пыль, возникающая при работе данным инструментом, может нанести вред здоровью. Не следует допускать её попадания в организм. Надевайте противопылевой респиратор.

Запрещается обрабатывать материалы, которые могут нанести вред здоровью (напр., асбест).

При блокировании используемого инструмента немедленно выключить прибор! Не включайте прибор до тех пор, пока используемый инструмент заблокирован, в противном случае может возникнуть отдача с высоким реактивным моментом. Определите и устраните причину блокирования используемого инструмента с учетом указаний по безопасности.

Возможными причинами могут быть:

- перекос заготовки, подлежащей обработке
- разрушение материала, подлежащего обработке
- перегрузка электроинструмента

Не прикасаться к работающему станку.

Используемый инструмент может нагреваться во время применения.

ВНИМАНИЕ! Опасность получения ожога

- при смене инструмента
- при укладывании прибора

Не убирайте опилки и обломки при включенном инструменте.

Держите силовой провод вне рабочей зоны инструмента. Всегда прокладывайте кабель за спиной.

Зафиксируйте вашу заготовку с помощью зажимного приспособления.

Незафиксированные заготовки могут привести к тяжелым травмам и повреждением.

Перед выполнением каких-либо работ по обслуживанию инструмента всегда вынимайте вилку из розетки.

Не используйте треснувшие или погнутые полотна пилы.

При пилении всегда прижимайте направляющий башмак к обрабатываемой детали.

Не касайтесь лезвием рабочей детали перед включением. Резку необходимо начать только после достижения полной скорости.

Если лезвие зажалось или произошло прерывание резания, отпустите пусковой выключатель и удерживайте инструмент в рабочем материале в неподвижном состоянии до полной остановки лезвия. Никогда не перезапускайте инструмент, когда пильное лезвие находится в рабочем материале.

ИСПОЛЬЗОВАНИЕ

Ленточная пила применяется для выполнения прямолинейных распилов различных видов металла, например, металлических профилей (UniStrut), труб, стоек для "сухих" строительных конструкций, алюминиевых профилей, листового металла.

Не пользуйтесь данным инструментом способом, отличным от указанного для нормального применения.

ДЕКЛАРАЦИЯ О СООТВЕТСТВИИ СТАНДАРТАМ ЕС

Мы заявляем под собственную ответственность, что изделие, описанное в разделе "Технические характеристики", соответствует всем важным предписаниям Директивы 2011/65/EU (Директива об ограничении применения опасных веществ в электрических и электронных приборах), 2014/30/EU, 2006/42/EC и приведенным далее гармонизированным нормативным документам:

EN 60745-1:2009 + A1:2010
EN 60745-2-20:2009
EN 55014-1:2006 + A1:2009 + A2:2011
EN 55014-2:2015
EN 61000-3-2:2014
EN 61000-3-3:2013
EN 61547:2009
EN 55015:2013
EN 50581:2012

Winnenden, 2017-11-30

Alexander Krug
Managing Director



Уполномочен на составление технической документации.

Techtronic Industries GmbH
Max-Eyth-Straße 10
71364 Winnenden
Germany

ПОДКЛЮЧЕНИЕ К ЭЛЕКТРОСЕТИ

Электроприборы, используемые во многих различных местах, в том числе на открытом воздухе, должны подключаться через устройство, предотвращающее резкое повышение напряжения (FI, RCD, PRCD).

Подсоединять только к однофазной сети переменного тока с напряжением, соответствующим указанному на инструменте. Электроинструмент имеет второй класс защиты, что позволяет подключать его к розеткам электропитания без заземляющего вывода.

Перед включением вилки в розетку убедитесь, что машина выключена.

ОБСЛУЖИВАНИЕ

Всегда держите охлаждающие отверстия чистыми.

При повреждении сетевого соединительного кабеля его замену производит служба технической поддержки клиентов, так как для этого требуется специальный инструмент.

Пользуйтесь аксессуарами и запасными частями только фирмы Milwaukee. В случае возникновения необходимости в замене, которая не была описана, пожалуйста, обращайтесь на один из сервисных центров (см. список наших гарантийных/сервисных организаций).

При необходимости может быть заказан чертеж инструмента с трехмерным изображением деталей. Пожалуйста, укажите номер и тип инструмента и закажите чертеж у Ваших местных агентов или непосредственно у Techtronic Industries GmbH, Max-Eyth-Straße 10, 71364 Winnenden, Germany.

СИМВОЛЫ



ВНИМАНИЕ! ПРЕДУПРЕЖДЕНИЕ! ОПАСНОСТЬ!



Перед выполнением каких-либо работ по обслуживанию инструмента всегда вынимайте вилку из розетки.



Пожалуйста, внимательно прочтите инструкцию по использованию перед началом любых операций с инструментом.



Не подносите руки к вращающимся деталям.



При работе с инструментом всегда надевайте защитные очки.



Надевать защитные перчатки!



Электрические устройства нельзя утилизировать вместе с бытовым мусором. Электрические и электронные устройства следует собирать отдельно и сдавать в специализированную утилизирующую компанию для утилизации в соответствии с нормами охраны окружающей среды. Сведения о центрах вторичной переработки и пунктах сбора можно получить в местных органах власти или у вашего специализированного дилера.



Электроинструмент с классом защиты II. Электроинструмент, в котором защита от электрического удара зависит не только от основной изоляции, но и от того, что принимаются дополнительные защитные меры, такие как двойная изоляция или усиленная изоляция. Нет устройства для подключения защитного провода.



Знак CE



Национальный знак відповідності України



Сертификата о соответствии No. RU 00069
Срок действия сертификата о соответствии по 22.12.2019
ООО «Центр по сертификации стандартизации и систем качества электро-машиностроительной продукции»
141400, РФ, Московская область, г. Химки, Ул. Ленинградская, 29

Транспортировка:

Категорически не допускается падение и любые механические воздействия на упаковку при транспортировке. При разгрузке/погрузке не допускается использование любого вида техники, работающей по принципу зажима упаковки.

Хранение:

Необходимо хранить в сухом месте. Необходимо хранить вдали от источников повышенных температур и воздействия солнечных лучей. При хранении необходимо избегать резкого перепада температур. Хранение без упаковки не допускается.

Срок службы изделия:

Срок службы изделия составляет 5 лет. Не рекомендуется к эксплуатации по истечении 5 лет хранения с даты изготовления без предварительной проверки.

Дата изготовления (код даты) отштампован на поверхности корпуса изделия.

Пример:

A2015, где 2015 - год изготовления

A - месяц изготовления

Определить месяц изготовления можно согласно приведенной ниже таблице

A - Январь	G - Июль
B - Февраль	H - Август
C - Март	J - Сентябрь
D - Апрель	K - Октябрь
E - Май	L - Ноябрь
F - Июнь	M - Декабрь

Тектроник Индастриз ГибХ
Германия, 71364, Винненден,
ул. Макс-Ай-Штрассе, 10
Сделано в КНР

ТЕХНИЧЕСКИ ДАННИ	ЛЕНТООТРЕЗНАТА МАШИНА	BS 125 (220 V - 240 V)	BS 125 (110 V - 120 V)
Производствен номер.....	4482 46 03.....	4482 56 03.....	4482 56 03.....
Номинална консумирана мощност.....	1100 W.....	1100 W.....	1100 W.....
Обороти на празен ход.....	0-116 m/min.....	0-116 m/min.....	0-116 m/min.....
Размери на режещия лист.....	1139,8 x 12,7 x 0,5 mm.....	1139,8 x 12,7 x 0,5 mm.....	1139,8 x 12,7 x 0,5 mm.....
Макс. производителност на рязане правоъгълни профили.....	125 x 125 mm.....	125 x 125 mm.....	125 x 125 mm.....
Макс. производителност на рязане тръби.....	Ø 125 mm.....	Ø 125 mm.....	Ø 125 mm.....
Тегло съгласно процедурата EPTA 01/2003.....	6,5 kg.....	6,5 kg.....	6,5 kg.....

Информация за шума

Измерените стойности са получени съобразно EN 60 745.

Оцененото с А ниво на шума на уреда е съответно:

Равнище на звуковото налягане (Несигурност K=3dB(A)).....	90 dB (A).....	90,2 dB (A).....
Равнище на мощността на звука (Несигурност K=3dB(A)).....	101 dB (A).....	101,2 dB (A).....

Да се носи предпазно средство за слуха!

Информация за вибрациите

Общите стойности на вибрациите (векторна сума на три посоки) са определени в съответствие с EN 60745.

Рязане на метал

Стойност на емисии на вибрациите a _n	1,09 m/s ²	1,27 m/s ²
Несигурност K=.....	1,5 m/s ²	1,5 m/s ²

ВНИМАНИЕ

Посоченото в тези инструкции ниво на вибрациите е измерено в съответствие със стандартизиран в EN 60745 измервателен метод и може да се използва за сравнение на електрически инструменти помежду им. Подходящ е и за временна оценка на вибрационното натоварване.

Посоченото ниво на вибрациите представя основните приложения на електрическия инструмент. Ако обаче електрическият инструмент се използва с друго предназначение, с различни сменяеми инструменти или при недостатъчна техническа поддръжка, нивото на вибрациите може да е различно. Това чувствително може да увеличи вибрационното натоварване по време на целия работен цикъл.

За точната оценка на вибрационното натоварване трябва да се вземат предвид и периодите от време, в които уредът е изключен или работи, но в действителност не се използва. Това чувствително може да намали вибрационното натоварване по време на целия работен цикъл.

Определете допълнителни мерки по техника на безопасност в защита на обслужвания работник от въздействието на вибрациите като например: техническа поддръжка на електрическия инструмент и сменяемите инструменти, поддръжане на ръцете топли, организация на работния цикъл.

▲ ПРЕДУПРЕЖДЕНИЕ! Прочетете всички указания и инструкции за безопасност. Пропуски при спазването на указанията и инструкциите могат да доведат до наранявания.

Запазете всички указания и инструкции за безопасност за бъдещето.

▲ ИНСТРУКЦИИ ЗА БЕЗОПАСНОСТ ЗА БАНЦИГ

Дръжте уреда за изолираните ръкохватки, когато извършвате работи, при които режещият инструмент може да засегне скрити електроинсталационни кабели или собствения си кабел. Контактът на режещия инструмент с тоководещ проводник може да предаде напрежението върху метални части на уреда и да доведе до токов удар.

Носете средство за защита на слуха. Въздействието на шума може да предизвика загуба на слуха.

ДОПЪЛНИТЕЛНИ УКАЗАНИЯ ЗА РАБОТА И БЕЗОПАСНОСТ

Да се използват предпазни средства. При работа с машината винаги носете предпазни очила. Препоръчват се защитно облекло и прахозащитна маска, защитни ръкавици, здрави и нехлъзгащи се обувки, каска и предпазни средства за слуха.

Прахът, който се образува при работа, често е вреден за здравето и не бива да попада в тялото. Да се носи подходяща прахозащитна маска.

Не е разрешена обработката на материали, които представляват опасност за здравето (напр. азбест).

Ако използваният инструмент блокира, изключете веднага уреда! Не включвайте уреда отново, докато

използваният инструмент е блокиран; това би могло да доведе до откат с висока реактивна сила. Открийте и отстранете причината за блокирането на използвания инструмент имайки в предвид инструкциите за безопасност.

Възможните причини за това могат да бъдат:

- Заклинване в обработваната част
- Пробиване на материала
- Пренатоварване на електрическия инструмент

Не бъркайте в машината, докато тя работи.

Използваният инструмент може да загрее по време на употреба.

ВНИМАНИЕ! Опасност от изгаряния

- при смяна на инструмента
- при оставяне на уреда

Стружки или отчупени парчета да не се отстраняват, докато машина работи.

Свързващият кабел винаги да се държи извън работния обсег на машината. Кабелът да се отвежда от машината винаги назад.

Закрепете обработваната част с устройство за захващане. Незакрепени части за обработка могат да причинят сериозни наранявания и материални щети.

Преди каквито и да е работи по машината извадете щепсела от контакта.

Да не се използват напукани режещи листове или такива, които са се деформирали!

При рязане водещата скоба винаги да приляга към обработвания материал..

Не включвайте машината, когато режещият диск е допрян в материала. Първо се включва машината и след това се връзва в материала.

Ако режещият диск се заклини, веднага изключете машината и, когато режещият диск спре да се върти, извадете машината от материала. Никога не включвайте машината, когато режещият диск още е допрян в материала.

ИЗПОЛЗВАНЕ ПО ПРЕДНАЗНАЧЕНИЕ

Лентоотрезната машина може да се използва за отрязване на праволинейни срязове в различни видове метал, като напр. метални профили (UniStrut), тръби, стойки за сухо строителство, кабелни канали, алуминиеви профили.

Този уред може да се използва по предназначение само както е посочено.

СЕ - ДЕКЛАРАЦИЯ ЗА СЪОТВЕТСТВИЕ

Заявявам под собствена отговорност, че описаният в "Технически данни" продукт съответства на всички важни разпоредби на директива 2011/65/EU (RoHS), 2014/30/EU, 2006/42/EO, както и на всички следващи нормативни документи във тази връзка.

EN 60745-1:2009 + A11:2010

EN 60745-2-20:2009

EN 55014-1:2006 + A1:2009 + A2:2011

EN 55014-2:2015

EN 61000-3-2:2014

EN 61000-3-3:2013

EN 61547:2009

EN 55015:2013

EN 50581:2012

Winnenden, 2017-11-30



Alexander Krug
Managing Director



Упълномощен за съставяне на техническата документация

Techtronic Industries GmbH
Max-Eyth-Straße 10
71364 Winnenden
Germany

ЗАЩИТА НА ДВИГАТЕЛЯ В ЗАВИСИМОСТ ОТ НАТОВАРВАНЕТО

Контактите във външните участъци трябва да бъдат оборудвани със защитни прекъсвачи за утечен ток (FI, RCD, PRCD). Това изисква предписанието за инсталиране за електрическата инсталация. Моля спазвайте това при използване на Вашия уред.

Да се свързва само към еднофазен променлив ток и само към мрежово напрежение, посочено върху заводската табелка. Възможно е и свързване към контакт, който не е от тип "шуко", понеже конструкцията е от защитен клас II.

Свързвайте уреда към контакта само в изключено състояние.

ПОДДРЪЖКА

Вентилационните шлицы на машината да се поддържат винаги чисти.

Ако кабелът на захранването е повреден, то занесете го за смяна в сервис, тъй като за това са необходими специални инструменти.

Да се използват само аксесоари на Milwaukee и резервни части на. Елементи, чията подмяна не е

описана, да се дадат за подмяна в сервис на Milwaukee (вжте брошурата "Гаранция и адреси на сервиси).

При необходимост можете да поискате за уреда от Вашия сервис или директно от Techtronic Industries GmbH, Max-Eyth-Straße 10, 71364 Winnenden, Germany, чертеж за в случай на експлозия, като посочите типа на машината и номер върху заводската табелка.

СИМВОЛИ



ВНИМАНИЕ! ПРЕДУПРЕЖДЕНИЕ!
ОПАСНОСТ



Преди каквито и да е работи по машината извадете щепсела от контакта.



Преди пускане на уреда в действие моля прочетете внимателно инструкцията за използване.



Дръжте ръцете си далеч от въртящите се части.



При работа с машината винаги носете предпазни очила.



Да се носят предпазни ръкавици!



Електрическите уреди не трябва да се изхвърлят заедно с битовите отпадъци. Електрическо и електронното оборудване трябва да се събират отделно и да се предават на службите за рециклиране на отпадъците според изискванията за опазване на околната среда. Информирайте се при местните служби или при местните специализирани търговци относно местата за събиране и центровете за рециклиране на отпадъци.



Електроинструмент от защитен клас II. Електроинструмент, при който защитата от електрически удар зависи не само от основната изолация, а и от обстоятелството, че се използва допълнителни защитни мерки като двойна изолация или усилена изолация. Няма приспособление за присъединяване на защитен проводник.



СЕ-знак



Национален знак за съответствие - Украйна



EurAsian знак за съответствие.

DATE TEHNICE	FERĂSTRĂUL PANGLICĂ	BS 125 (220 V - 240 V)	BS 125 (110 V - 120 V)
Număr producție.....	4482 46 03.....	4482 56 03...	4482 56 03...
Putere nominală de ieșire.....	1100 W.....	1100 W.....	1100 W.....
Viteza de mers în gol.....	0-116 m/min.....	0-116 m/min.....	0-116 m/min.....
Dimensiuni pânză.....	1139,8 x 12,7 x 0,5 mm.....	1139,8 x 12,7 x 0,5 mm.....	1139,8 x 12,7 x 0,5 mm.....
Performanța maximă de tăiere profile dreptunghiulare.....	125 x 125 mm.....	125 x 125 mm.....	125 x 125 mm.....
Performanța maximă de tevi.....	∅ 125 mm.....	∅ 125 mm.....	∅ 125 mm.....
Greutatea conform „EPTA procedure 01/2003”.....	6,5 kg.....	6,5 kg.....	6,5 kg.....

Informație privind zgomotul

Valori măsurate determinate conform EN 60 745.

Nivelul de zgomot evaluat cu A al aparatului este tipic de:

Nivelul presiunii sonore (Nesiguranță K=3dB(A)).....	90 dB (A).....	90,2 dB (A).....
Nivelul sunetului (Nesiguranță K=3dB(A)).....	101 dB (A).....	101,2 dB (A).....

Purtați căști de protecție

Informații privind vibrațiile

Valorile totale de oscilație (suma vectorială pe trei direcții determinate conform normei EN 60745.

Tăiere de metal		
Valoarea emisiei de oscilații a_h	1,09 m/s ²	1,27 m/s ²
Nesiguranță K=.....	1,5 m/s ²	1,5 m/s ²

AVERTISMENT

Gradul de oscilație indicat în prezentele instrucțiuni a fost măsurat în conformitate cu o procedură de măsurare normată prin norma EN 60745 și poate fi folosit pentru a compara uneltele electrice între ele. El se pretează și pentru o evaluare provizorie a solicitării la oscilații.

Gradul de oscilație indicat reprezintă aplicațiile principale ale uneltelor electrice. În cazul în care însă uneltele electrice au fost folosite pentru alte aplicații, ori au fost folosite uneltele de muncă diferite ori acestea nu au fost supuse unei suficiente inspecții de întreținere, gradul de oscilație poate fi diferit.

Acest fapt poate duce la o creștere netă a solicitărilor la oscilații dealungul întregii perioade de lucru. În scopul unei evaluări exacte a solicitării la oscilații, urmează să fie luate în considerație și perioadele de timp în care aparatul a fost oprit ori funcționează dar, în realitate, el nu este folosit în mod practic. Acest fapt poate duce la o reducere netă a solicitărilor la oscilații dealungul întregii perioade de lucru.

Stabiliți măsuri de siguranță suplimentare în scopul protecției utilizatorului de efectele oscilațiilor, de exemplu: inspecție de întreținere a uneltelor electrice și a celor de muncă, păstrarea caldă a mâinilor, organizarea proceselor de muncă.

AVERTIZARE! Citiți toate instrucțiunile privind siguranța și toate indicațiile. Nerespectarea întocmai a instrucțiunilor de siguranță și a indicațiilor poate duce la rănire.

Păstrați instrucțiunile de siguranță și indicațiile pentru utilizări viitoare.

INSTRUCȚIUNI DE SIGURANȚĂ PENTRU FERĂSTRĂUL PANGLICĂ

Țineți aparatul de mânerle izolate când executați lucrări la care scula tăietoare poate nimeri peste conductorii electrici ascunși sau peste cablul propriu. Intrarea în contact a sculei tăietoare cu o linie electrică prin care circulă curent poate pune sub tensiune și componente metalice ale aparatului și să ducă la electrocutare.

Purtați aparatoare de urechi. Expunerea la zgomot poate produce pierderea auzului.

INSTRUCȚIUNI SUPPLEMENTARE DE SIGURANȚĂ ȘI DE LUCRU

Folosiți echipament de protecție. Purtați întotdeauna ochelari de protecție când lucrați cu mașina. Se recomandă utilizarea hainelor de protecție ca de ex. Măști contra prafului, mănuși de protecție, încălțăminte stabilă nealunecoasă, cască și apărătoare de urechi.

Praful care apare când se lucrează cu această sculă poate fi dăunător sănătății și prin urmare nu trebuie să atingă corpul. Purtați o mască de protecție corespunzătoare împotriva prafului.

Nu se admite prelucrarea unui material care poate pune în pericol sănătatea operatorului (de exemplu azbestul).

La blocarea sculei demontabile vă rugăm să deconectați imediat aparatul! Nu conectați aparatul atâta timp cât scula demontabilă este blocată; dacă o faceți, s-ar putea să se

producă un recul cu un cuplu mare de reacție. Găsiți și remediați cauza de blocare a sculei demontabile respectând indicațiile pentru siguranță.

Cauzele posibile pot fi:

- Agățarea în piesa de prelucrat
- Străpungerea materialului de prelucrat
- Suprasolicitarea sculei electrice

Nu atingeți părțile mașinii aflate în rotație.

Scula introdusă poate să devină fierbinte în timpul utilizării.

AVERTISMENT! Pericol de arsuri

- la schimbarea sculei
- la depunerea aparatului

Rumegușul și spanul nu trebuie îndepărtate în timpul funcționării mașinii.

Pastrați cablul de alimentare la o distanță de aria de lucru a mașinii. Întotdeauna țineți cablul în spatele dvs.

Asigurați piesa de prelucrat cu un dispozitiv de fixare. Piese neasigurate pot provoca accidentări grave și stricăciuni.

Întotdeauna scoateți stecarul din priză înainte de a efectua intervenții la mașină.

Nu folosiți lame de ferăstrău crăpate sau deformate.

Așezați întotdeauna papucul de ghidare pe piesa de lucru în timpul tăierii.

Nu porniți lama când este în contact cu piesa de prelucrat. Așteptați ca lama să atingă viteza nominală înainte de a începe tăierea.

Când lama se îndoaie sau o tăiere se întrerupe din orice motiv, eliberați butonul și țineți cuțitul nemișcat în material până când lama se oprește complet. Nu reporniți niciodată mașina cu lama în contact cu piesa de prelucrat.

CONDIȚII DE UTILIZARE SPECIFICATE

Ferăstrăul panglică se poate folosi pentru tăierea în linii drepte a diferitelor metale, ca de pildă profile metalice (UniStrut), țevi, stative folosite în zidăria uscată, galerii pentru cabluri, profile din aluminiu, tablă, precum și pentru tăierea pieselor din material plastic

Nu utilizați acest produs în alt mod decât cel stabilit pentru utilizare normală

DECLARAȚIE DE CONFORMITATE

Declarăm pe propria răspundere că produsul descris la "Date tehnice" este în concordanță cu toate prevederile legale relevante ale Directivei 2011/65/EU (RoHs), 2014/30/UE, 2006/42/CE și cu următoarele norme armonizate:

EN 60745-1:2009 + A11:2010
 EN 60745-2-20:2009
 EN 55014-1:2006 + A1:2009 + A2:2011
 EN 55014-2:2015
 EN 61000-3-2:2014
 EN 61000-3-3:2013
 EN 61547:2009
 EN 55015:2013
 EN 50581:2012

Winnenden, 2017-11-30

Alexander Krug

Alexander Krug
 Managing Director



Împuternicit să elaboreze documentația tehnică.

Techtronic Industries GmbH
 Max-Eyth-Straße 10
 71364 Winnenden
 Germany

ALIMENTARE DE LA REȚEA

Aparatele utilizate în multe locații diferite inclusiv în aer liber trebuie conectate print-un disjunct (FI, RCD, PRCD) care previne comutarea.

Conectați numai la priză de curent alternativ monofazat și numai la tensiunea specificată pe placuța indicatoare. Se permite conectarea și la prize fără împământare dacă modelul se conformează clasei II de securitate.

Asigurați-vă că aparatul este oprit, înainte de conectare.

INTREȚINERE

Fantele de aerisire ale mașinii trebuie să fie menținute libere tot timpul

Dacă cablul de racordare la rețea este avariat, acesta trebuie înlocuit la un punct de service, deoarece pentru aceasta este nevoie de scule speciale.

Utilizați numai accesorii și piese de schimb Milwaukee. Dacă unele din componente care nu au fost descrise trebuie înlocuite, vă rugăm contactați unul din agenții de service Milwaukee (vezi lista noastră pentru service / garanție)

Dacă este necesară, se poate comanda o imagine descompusă a sculei. Vă rugăm menționați numărul art. Precum și tipul mașinii tipărit pe etichetă și comandați desenul la agenții de service locali sau direct la Techtronic Industries GmbH, Max-Eyth-Straße 10, 71364 Winnenden, Germany.

SIMBOLURI



PERICOL! AVERTIZARE! ATENȚIE!



Întotdeauna scoateți stecarul din priză înainte de a efectua intervenții la mașină.



Vă rugăm citiți cu atenție instrucțiunile înainte de pornirea mașinii



Feriți-vă mâinile de piesele în rotație.



Purtați întotdeauna ochelari de protecție când utilizați mașina.



Purtați mănuși de protecție!



Aruncarea aparatelor electrice la gunoii menajer este interzisă. Echipamentele electrice și electronice trebuie colectate separat și predate la un centru de reciclare și eliminare a deșeurilor, pentru a fi eliminate ecologic. Interesați-vă la autoritățile locale sau la comerciantul dvs. de specialitate unde se află centre de reciclare și puncte de colectare.



Sculă electrică cu clasa de protecție II. Sculă electrică la care protecția împotriva unei electrocutări nu depinde doar de izolația de bază, ci și de aplicarea de măsuri suplimentare de protecție, cum ar fi o izolație dublă sau o izolație mai puternică. Nu există un dispozitiv pentru conectarea unui conductor de protecție.



Marcaj CE



Marcaj național de conformitate Ucraina



Marcaj de conformitate EurAsian.

ТЕХНИЧКИ ПОДАТОЦИ	БАНЦИГ	BS 125 (220 V - 240 V)	BS 125 (110 V - 120 V)
Произведен број.....	4482 46 03.....	4482 56 03.....	4482 56 03.....
Определен внес.....	...000001-999999	...000001-999999	...000001-999999
Брзина без оптоварување.....	1100 W.....	1100 W.....	1100 W.....
Брзина без оптоварување.....	0-116 m/min.....	0-116 m/min.....	0-116 m/min.....
Големина на сечило.....	1139,8 x 12,7 x 0,5 mm.....	1139,8 x 12,7 x 0,5 mm.....	1139,8 x 12,7 x 0,5 mm.....
Максимални перформанси при сечење Правоаголни делови.....	125 x 125 mm.....	125 x 125 mm.....	125 x 125 mm.....
Максимални перформанси при сечење Цевки.....	Ø 125 mm.....	Ø 125 mm.....	Ø 125 mm.....
Тежина според ЕПТА-процедурата 01/2003.....	6,5 kg.....	6,5 kg.....	6,5 kg.....

Информации за бучавата

Измерените вредности се одредени согласно стандардот EN 60 745.

A-оценетото ниво на бучава на апаратот типично изнесува:

Ниво на звучен притисок. (Несигурност K=3dB(A))..... 90 dB (A)..... 90,2 dB (A)

Ниво на јачина на звук. (Несигурност K=3dB(A))..... 101 dB (A)..... 101,2 dB (A)

Носте штитник за уши.

Информации за вибрации

Вкупни вибрациски вредности (векторски збир на трите насоки) пресметани согласно EN 60745.

Метали
Вибрациска емисиона вредност a_n..... 1,09 m/s²..... 1,27 m/s²
Несигурност K..... 1,5 m/s²..... 1,5 m/s²

ПРЕДУПРЕДУВАЊЕ

Нивото на осцилација наведено во овие инструкции е измерено во согласност со мерните постапки нормирани во EN 60745 и може да биде употребено за меѓусебна споредба на електро-алати. Ова ниво може да се употреби и за привремена проценка на оптоварувањето на осцилацијата.

Наведеното ниво на осцилација ги репрезентира главните намени на електро-алатот. Но, доколку електро-алатот се употребува за други намени, со отстапувачки додатоци или со несоодветно одржување, нивото на осцилација може да отстапи. Тоа може значително да го зголеми оптоварувањето на осцилацијата за време на целиот работен период.

За прецизна проценка на оптоварувањето на осцилацијата предвид треба да бидат земени и времињата, во коишто апаратот е исклучен или работи, но фактички не се употребува. Тоа може значително да го намали оптоварувањето на осцилацијата за време на целиот работен период

Утврдете дополнителни безбедносни мерки за заштита на операторот од влијанието на осцилациите, како на пример: одржување на електро-алатот и на додатоци кон електро-алатот, одржување топли раце, организација на работните процеси.

▲ ПРЕДУПРЕДУВАЊЕ! Читајте ги сите напомени за безбедност и упатства. Пропусти при придружувањето кон напомените за безбедност и упатствата можат да доведат до повреди.

Чувајте ги сите напомени за безбедност и упатства за во иднина.

▲ БЕЗБЕДНОСНИ НАПОМЕНИ ЗА ТРАЧНА ПИЛА

Држете го електричниот алат за издадените површини при изведување на операции при кои алатот за сечење можат да дојдат во контакт со скриени жици или сопствениот гајтан. Контакт со жица под напон исто така ќе направи проводници од металните делови и оној кој ракува со алатот ќе доживее струен удар.

Носете штитник за уши. Изложеноста на бука може да предизвика губење на слухот.

ОСТАНАТИ БЕЗБЕДНОСНИ И РАБОТНИ УПАТСТВА

Употребувајте заштитна опрема. При работа со машината постојано носете заштитни очила. Се препорачува заштитна облека како: маска за заштита од прашина, заштитни ракавици, цврсти чевли што не се лизгаат, кацига и заштита за уши.

Пршната која се создава при користење на овој алат може да биде штетна по здравјето. Не ја вдишувајте. Носете соодветна заштитна маска.

Не смеат да бидат обработувани материјали кои што можат да го загрозат здравјето (на пр. азбест).

Доколку употребуваното орудие се блокира, молиме веднаш да се исклучи апаратот! Не го вклучувајте апаратот повторно додека употребуваното орудие е блокирано; притоа би можело да дојде до повратен удар со висок момент на реакција. Испитајте и отстранете ја

причината за блокирањето на употребеното орудие имајќи ги во предвид напомените за безбедност.

Можни причини би можеле да се:

- Закантување во парчето кое што се обработува
- Кршење поради продирање на материјалот кој што се обработува
- Преоптоварување на електричното орудие

Не фаќајте во машината кога работи.

Употребеното орудие за време на примената може да стане многу жешко.

ПРЕДУПРЕДУВАЊЕ! Опасност од изгоретини

- при менување на орудието
- при ставање на апаратот на страна

Прашината и струготините не смеат да се одстрануваат додека е машината работи.

Чувајте го кабелот за напојување подалеку од работната површина. Секогаш водете го кабелот позади вас.

Обезбедете го предметот кој што го обработувате со направа за напон. Необезбедени парчиња кои што се обработуваат можат да предизвикаат тешки повреди и оштетувања.

Секогаш кога преземате активности врз машината исклучете го кабелот од струјата.

Не користете скршени или изобличени сечила.

Секогаш при сечење поставете ја водилката врз работното парче.

Не го стартувајте сечилото доколку е во контакт со обработуваното парче. Пред да почнете со сечење почekaјте сечилото да постигне полна брзина.

Кога сечилото се свиткало, при прекин од било која причина, ослободете го прекинувачот и држете го ножот во материјалот без да делувате, се додека не дојде до

потполно запирање на сечилото. Никогаш не ја рестартирајте машината со сечилото во контакт со обработуваното парче.

СПЕЦИФИЦИРАНИ УСЛОВИ НА УПОТРЕБА

Тракастото сечило сече надолжно и триаголно прецизно во различни типови на метали како метални профили, цевки, метална арматура, канали, алуминиумски профили, метални лимови итн.

Не го користете овој производ на било кој друг начин освен пропишаниот за нормална употреба.

ЕУ-ДЕКЛАРАЦИЈА ЗА СООБРАЗНОСТ

Во своја сопствена одговорност изјавуваме дека под "Технички податоци" опишаниот производ е во склад со сите релевантни прописи од регулативата 2011/65/EU (RoHS), 2014/30/EU, 2006/42/EC и следните хармонизирачки нормативни документи:

EN 60745-1:2009 + A11:2010
EN 60745-2:20:2009
EN 55014-1:2006 + A1:2009 + A2:2011
EN 55014-2:2015
EN 61000-3-2:2014
EN 61000-3-3:2013
EN 61547:2009
EN 55015:2013
EN 50581:2012

Winnenden, 2017-11-30

Alexander Krug
Managing Director



Ополномоштен за составување на техничката документација.

Techtronic Industries GmbH
Max-Eyth-Straße 10
71364 Winnenden
Germany

ГЛАВНИ ВРСКИ

Уредите кои се користат на многу различни локации вклучувајќи и отворен простор мора да бидат поврзани за струја преку направата за поврзување (FI, RCD, PRCD).

Да се спои само за една фаза АС коло и само на главниот напон наведен на плочката. Можно е исто така и поврзување на приклучок без заземјување доколку изведбата соодветствува на безбедност од 2 класа.

Бидете сигурни дека машината е исклучена пред да ја вклучите во струја.

ОДРЖУВАЊЕ

Вентилациските отвори на машината мора да бидат комплетно отворени постојано.

Ако приклучниот мрежен вод е оштетен, тој мора да биде заменет од служба за клиенти, бидејќи за тоа е потребен посебен алат.

Користете само Milwaukee додатоци и резервни делови. Доколку некои од компонентите кои не се опишани треба да бидат заменети, Ве молиме контактирајте ги сервисните агенти на Milwaukee (консултирајте ја листата на адреси).

Доколку е потребно можно е да биде набавен детален приказ на алатот. Ве молиме наведете го бројот на артикулот како и типот на машина кој е отпечатен на етикетата и порачајте ја скицата кај локалниот застапник или директно кај: Techtronic Industries GmbH, Max-Eyth-Straße 10, 71364 Winnenden, Germany.

СИМБОЛИ



ВНИМАНИЕ! ПРЕДУПРЕДУВАЊЕ!
ОПАСНОСТ!



Секогаш кога преземате активности врз машината исклучете го кабелот од струјата.



Ве молиме пред да ја стартувате машината обрнете внимание на упатствата за употреба.



Држете ги рацете настрана од ротирачките делови.



Секогаш при користење на машината носете ракавици.



Носете ракавици!



Електричните апарати не смеат да се фрлат заедно со домашниот отпад. Електричните и електронските апарати треба да се собираат одделно и да се однесат во соодветниот погон заради нивно фрлање во склад со начелата за заштита на околината. Информирајте се кај Вашите местни служби или кај специјализираниот трговски претставник, каде има такви погони за рециклажа и собирни станици.



Електрично орудие од заштитната категорија II.
Електрично орудие чијашто заштита од електричен удар не зависи само од основната изолација туку и од тоа дали ќе се применат дополнителните заштитни мерки како што се двоструките изолации или појачаната изолација.
Не постои никаква направа за приклучување на некој заштитен вод.



СЕ-знак



Национален конформитетски знак за Украина



EurAsian (Евроазиски) знак на конформитет.

ТЕХНІЧНІ ХАРАКТЕРИСТИКИ АКУМУЛЯТОРНА СТРІЧКОВА ПИЛКА	BS 125 (220 V - 240 V)	BS 125 (110 V - 120 V)
Номер виробу.....	4482 46 03.....	4482 56 03.....
Номинальна споживана потужність.....	1100 W.....	1100 W.....
Швидкість холостого ходу.....	0-116 m/min.....	0-116 m/min.....
Розміри пилоквого полотна.....	1139,8 x 12,7 x 0,5 mm.....	1139,8 x 12,7 x 0,5 mm.....
Продуктивність різання прямокутних профілів.....	125 x 125 mm.....	125 x 125 mm.....
Продуктивність різання труб.....	Ø 125 mm.....	Ø 125 mm.....
Вага згідно з процедурою ЕРТА 01/2003.....	6,5 kg.....	6,5 kg.....

Шум / інформація про вібрацію

Вимірні значення визначені згідно з EN 60745.		
Рівень шуму „А“ приладу становить в типовому випадку:		
Рівень звукового тиску (похибка K = 3 дБ(А)).....	90 dB (A).....	90,2 dB (A).....
Рівень звукової потужності (похибка K = 3 дБ(А)).....	101 dB (A).....	101,2 dB (A).....

Використовувати засоби захисту органів слуху!

Сумарні значення вібрації (векторна сума трьох напрямків), встановлені згідно з EN 60745.

Пилання металів		
Значення вібрації _h	1,09 m/s ²	1,27 m/s ²
похибка K =	1,5 m/s ²	1,5 m/s ²

ПОПЕРЕДЖЕННЯ!

Рівень вібрації, вказаний в цій інструкції, вимірювався згідно з методом вимірювання, нормованим стандартом EN 60745, і може використовуватися для порівняння електроінструментів. Він призначений також для попередньої оцінки навантаження від вібрації.

Вказаний рівень вібрації відповідає основним сферам використання електроінструменту. Але якщо електроінструмент використовується для іншої мети, з іншими вставними інструментами або при недостатньому технічному обслуговуванні, рівень вібрації може бути іншим. Це може значно підвищити навантаження від вібрації за весь період роботи.

Для точної оцінки навантаження від вібрації необхідно також враховувати час, коли прилад вимкнений або увімкнений, але фактично не використовується. Це може значно зменшити навантаження від вібрації за весь період роботи.

Визначте додаткові заходи безпеки для захисту оператора від дії вібрації, наприклад: Технічне обслуговування електроінструменту та вставних інструментів, зігрівання рук, організація робочих процесів.

⚠ ПОПЕРЕДЖЕННЯ! Прочитайте всі вказівки з техніки безпеки та інструкції. Упущення при дотриманні вказівок з техніки безпеки та інструкцій можуть призвести до ураження електричним струмом, пожежі та/або тяжких травм. **Зберігайте всі вказівки з техніки безпеки та інструкції на майбутнє.**

⚠ ВКАЗІВКИ З ТЕХНІКИ БЕЗПЕКИ ДЛЯ СТРІЧКОВИХ ПИЛОК

Під час виконання робіт тримайте прилад за ізольовані поверхні рукояток, якщо вставний інструмент може натрапити на приховані електричні лінії. Контакт з лінією під напругою може призвести до появи напруги в металевих частинах приладу та до ураження електричним струмом.

Користуйтеся засобами захисту органів слуху. Вплив шуму може спричинити втрату слуху.

При пиланні завжди прикладати до заготовки напрямну скобу.

Не вмикати машину, якщо пилковий диск торкається матеріалу. Спочатку увімкнути машину, після чого починати пилання.

Якщо пилковий диск заклинився, негайно вимкнути машину та витягнути пилковий диск із матеріалу після повної зупинки. Не включати машину, коли пилковий диск ще торкається матеріалу.

Пилкові полотна з тріщинами або деформовані диски використовувати не можна!

ДОДАТКОВІ ІНСТРУКЦІЇ З ТЕХНІКИ БЕЗПЕКИ ТА ЕКСПЛУАТАЦІЇ

Використовуйте індивідуальні засоби захисту. Під час роботи з машиною завжди носити захисні окуляри. Радимо використовувати захисний одяг, як наприклад маску для захисту від пилу, захисні рукавиці, міцне та нековзне взуття, каску та засоби захисту органів слуху.

Пил, що утворюється під час роботи, часто буває шкідливим для здоров'я; він не повинен потрапляти в організм. Носити відповідну маску для захисту від пилу.

Не можна обробляти матеріали, небезпечні для здоров'я (наприклад, азбест).

ВИКОРИСТАННЯ ЗА ПРИЗНАЧЕННЯМ

Стрічкова пилка може використовуватися для виконання прямих розрізів металів різних видів, наприклад, металевих профілів (UniStrut), труб, стійок для сухого будівництва, кабельних каналів, алюмінієвих профілів, листів.

Цей прилад можна використовувати тільки за призначенням так, як вказано в цьому документі.

СЕРТИФІКАТ ВІДПОВІДНОСТІ ВИМОГАМ ЄС

Ми заявляємо на власну відповідальність, що виріб, описаний в „Технічних даних“, відповідає всім застосованим положенням директиви 2011/65/EU (RoHS), 2014/30/EU, 2006/42/EG, та наступним гармонізованим нормативним документам:

EN 60745-1:2009 + A11:2010
 EN 60745-2-20:2009
 EN 55014-1:2006 + A1:2009 + A2:2011
 EN 55014-2:2015
 EN 61000-3-2:2014
 EN 61000-3-3:2013
 EN 61547:2009
 EN 55015:2013
 EN 50581:2012

Winnenden, 2017-11-30



Alexander Krug
 Managing Director



Уповноважений із складання технічної документації.

Techtronic Industries GmbH
 Max-Eyth-Straße 10
 71364 Winnenden
 Germany

ПІДКЛЮЧЕННЯ ДО МЕРЕЖІ

Штепсельні розетки за межами приміщень та на вологих ділянках повинні бути оснащені автоматичним запобіжним вимикачем, який спрацьовує при появі струму витоку (FI, RCD, PRCD). Для цього необхідні монтажні інструкції для вашої електричної системи. Майте це на увазі при користуванні нашим приладом.

Підключати лише до однофазного змінного струму і напруги мережі, які вказані на фірмовій табличці з паспортними даними. Можливе підключення також до штепсельних розеток без захисного контакту, адже конструкція має клас захисту II.

Підключати пристрій до штепсельної розетки лише вимкнутим.

ОБСЛУГОВУВАННЯ

Завжди підтримувати чистоту вентиляційних отворів.

Використовувати тільки комплектуючі та запчастини Milwaukee. Деталі, заміна яких не описується, замінювати тільки в відділі обслуговування клієнтів Milwaukee (зверніть увагу на брошуру „Гарантія / адреси сервісних центрів“).

У разі необхідності можна запросити креслення з зображенням вузлів машини в перспективному вигляді, для цього потрібно звернутися в ваш відділ обслуговування клієнтів або безпосередньо в Techtronic Industries GmbH, Max-Eyth-Straße 10, 71364 Winnenden, Німеччина, та вказати тип машини та шестизначний номер на фірмовій табличці з даними машини.

СИМВОЛИ



УВАГА! ПОПЕРЕДЖЕННЯ! НЕБЕЗПЕЧНО!



Перед будь-якими роботами на машині витягнути штекер із штепсельної розетки.



Уважно прочитайте інструкцію з експлуатації перед введенням приладу в дію.



Тримайте руки подалі від частин, що обертаються.



Під час роботи з машиною завжди носити захисні окуляри.



Носити захисні рукавиці!



Електроприлади, батареї/акумулятори заборонено утилізувати разом з побутовим сміттям.

Електричні прилади і акумулятори слід збирати окремо і здавати в спеціалізовану компанію для утилізації відповідно до норм охорони довкілля. Зверніться до місцевих органів або до вашого дилера, щоб отримати адреси пунктів вторинної переробки та пунктів прийому.



Знак CE



Національний знак відповідності для України



Знак відповідності для Європи та Азії EurAsian

إنتاج عدد.....	4482 46 03.....	4482 56 03.....
النخل المقدر.....	000001-999999.....	000001-999999.....
أقصى سرعة دون وجود حمل.....	W 1100.....	W 1100.....
حجم الشفرة.....	m/min 0-116.....	m/min 0-116.....
قدرة قطع الجذع المستطيل.....	mm x 12,7 x 0,5 1139,8.....	mm x 12,7 x 0,5 1139,8.....
قدرة قطع الأنبوب.....	mm x 125 125.....	mm x 125 125.....
الوزن وفقا لنهج EPTA رقم 01/2003.....	mm ø 125.....	mm ø 125.....
	kg 6,5.....	kg 6,5.....

معلومات الضوضاء

القيم التي تم قياسها محددة وفقا للمعايير الأوروبية EN 60 745
مستويات ضوضاء الجهاز، ترجيحاً بشكل نموذجي كالتالي:

مستوى ضغط الصوت (الارتياح في القياس = 3 ديسيبل (A)).....	dB (A) 90.....	dB (A) 90,2.....
مستوى شدة الصوت (الارتياح في القياس = 3 ديسيبل (A)).....	dB (A) 101.....	dB (A) 101,2.....

ارتد وأقيات الأذن!

معلومات الاهتزاز

قيم الذبذبات الإجمالي (مجموع الكميات الموجهة في المحاور الثلاثة) محددة وفقاً للمعايير الأوروبية EN 60745.
نشر المعادن

قيمة انبعاث الذبذبات (a _h).....	m/s ² 1,09.....	m/s ² 1,27.....
الارتياح في القياس.....	m/s ² 1,5.....	m/s ² 1,5.....

تحذير!

تم قياس مستوى انبعاث الذبذبات الموجود بوثيقة المعلومات هذه وفقاً للاختبار القياسي وفقاً للمعايير الأوروبية EN 60745 ويمكن استخدامه لمقارنة جهاز بغيره. كما يمكن استخدامه لعرض تقييم تمهيدي.

يمثل مستوى انبعاث الذبذبات المعان عنه تطبيقات الجهاز الرئيسية. بالرغم من ذلك، فإنه إذا ما تم استخدام الجهاز لتطبيقات مختلفة، بملحقات مختلفة أو لم يتم المحافظة عليه، فقد يختلف انبعاث الذبذبات. قد يزيد ذلك بصورة كبيرة من مستوى التعرض للذبذبات طوال فترة العمل الإجمالية.

يجب الوضع في الاعتبار عند تقدير مستوى التعرض للذبذبات مرات إيقاف الجهاز أو تشغيله لكن دون استخدامه في القيام بعملية. فقد يقل ذلك بصورة كبيرة من مستوى التعرض للذبذبات طوال فترة العمل الإجمالية.

تعرف على معايير السلامة الإضافية لحماية المشغل من آثار الذبذبات مثل: صيانة الجهاز والملحقات، الحفاظ على دفة الأيدي، وتنظيم نماذج العمل.

تحذير!

اقرأ جميع تحذيرات السلامة وجميع التعليمات، بما فيها. قد يؤدي الفشل في مراعاة التحذيرات والتعليمات إلى التعرض للإصابة بصدمة كهربائية أو الحرق وأو إصابة خطيرة.
احتفظ بجميع التحذيرات والتعليمات للرجوع إليها مستقبلاً.

تحذيرات سلامة خاصة بمناشير شريطية

امسك الآلة الكهربائية من أسطح القبض المعزولة فقط، وذلك عند القيام بعملية قد يلمس فيها أحد ملحقات آلة القطع أسلاك مخفية أو السلك الخاص بها. تتسبب ملامسة أحد ملحقات آلة القطع بسلك كهربائي "موصلة" في جعل الأجزاء المعدنية المكشوفة بالآلة الكهربائية "موصلة" كهربائياً مما يجعل المشغل عرضة لصدمة كهربائية.

ارتد وأقيات الأذن. قد يسبب التعرض للضوضاء فقدان السمع.

إرشادات أمان وعمل إضافية

استخدم معدة الوقاية. ارتد دائماً نظارة الوقاية عند العمل بالآلة. ينصح باستخدام الملابس الواقية مثل الكمادات الواقية من الغبار، والقفازات، والأحذية القوية غير المنزلقة، والخوذات، وأقيات الأذن.

قد تكون الأثرية الناتجة عن استخدام هذه الآلة ضارة بالصحة. لا تستنشق هذه الأثرية. ارتد قناعاً واقياً من الأثرية مناسباً.

لا يجوز استخدام مواد ينجم عنها أضرار على الصحة (حريز صخري).

الرجاء إيقاف تشغيل الجهاز. على الفور في حالة عرقلة أداة الاستعمال!

لا تقم بتشغيل الجهاز مرة أخرى، طالما أن الأداة المستعملة لازالت في حالة عرقلة، حيث يمكن أن يحدث هنا ارتداد عكسي مصحوب بقوة رد فعل عالية.
قم بالبحث وإزالة أسباب عرقلة أداة الاستعمال مع مراعاة تعليمات الأمان.

من المحتمل أن تكون الأسباب هي:

- انحدر في القطعة المخصصة للاستعمال
- اختراق المواد المخصصة للاستعمال
- زيادة الحمل على الآلة الكهربائية

لا تلمس بيدك الماكينة أثناء دورانها.

بموجب هذا نقر على مسؤوليتنا المنفردة، أن المنتج المذكور الموصوف تحت "البيانات الفنية" يلبي جميع التعليمات الهامة الخاصة بالمعايير 2011/65/EU (RoHS), 2014/30/EU, 2006/42/EG ويتطابق مع وثائق المعايير المتوافقة التالية:

EN 60745-1:2009 + A11:2010
EN 60745-2-20:2009
EN 55014-1:2006 + A1:2009 + A2:2011
EN 55014-2:2015
EN 55015:2013
EN 61000-3-2:2014
EN 61000-3-3:2013
EN 61547:2009
EN 50581:2012

Winnenden, 2017-11-30


Alexander Krug
Managing Director
معمتمة للمطابقة مع الملف الفني
Technronic Industries GmbH
Max-Eyth-Straße 10
Winnenden 71364
Germany

توصيل الموصلات الرئيسية

يجب توصيل الأجهزة التي يتم استخدامها في مواقع مختلفة بما في ذلك الأجهزة التي يتم استخدامها في الهواء الطلق بواسطة جاهر التيار المتخلف (FI و RCD و PRCD) والتي يصل التيار بها 30 مل أمبير أو أقل.

قم بالتوصيل بتيار متردد أحادي الطور وبنظام الجهد الكهربائي المحدد على لوحة الجهد المقنن فقط يمكن أيضاً التوصيل بالمقاييس غير المؤرصة حيث يتطابق التصميم مع معايير سلامة الفئة الثانية لحماية الأجهزة الكهربائية.

تأكد من إيقاف تشغيل الآلة قبل توصيلها بالمقاييس الكهربائي.

الصيانة

يجب أن تكون فتحات تهوية الجهاز نظيفة طوال الوقت.

في حالة تلف كبل الطاقة في هذا الجهاز، يجب استبداله فقط بواسطة ورشة تصليح يحددها المصنّع لتجنب المواقف التي تتسم بالمخاطرة.

استخدم فقط ملحقات ميلوكي وكذلك قطع غيار ميلوكي. إذا كانت المكونات التي يجب تغييرها غير مذكورة، يرجى الاتصال بأحد عملاء صيانة ميلوكي (انظر قائمة عناوين الضمان/الصيانة الخاصة بنا).

عند الحاجة يمكن طلب رمز انفجار الجهاز بعد نكر طراز الآلة والرقم السداسي المذكور على بطاقة طاقة الآلة لدى جهة خدمة العملاء أو مباشرة لدى شركة

Technronic Industries GmbH, Max-Eyth-Straße 10, 71364 Winnenden, ألمانيا

تنبيه! تحذير! خطر!

قبل التعامل مع الآلة، قم سحب القابض من المقبس.

يرجى قراءة التعليمات بعناية قبل بدء تشغيل الجهاز.

أبقي يدك بعيدة عن الأجزاء الدوارة.

ارتد دائماً نظارات الوقاية عند استخدام الجهاز.

ارتد القفازات!

يجب عدم التخلص من المعدات الكهربائية مع المخلفات المنزلية! يتعين تجميع الأجهزة الكهربائية التي انتهت عمرها الافتراضي بشكل منفصل وإرجاعها إلى منشأة إعادة تدوير للمحافظة على البيئة، مراعاة للتوجيه الأوروبي EC/2002/96 الصادر بشأن نفايات المعدات الكهربائية والإلكترونية وتطبيقه وفقاً للقانون المحلي.

يحظر التخلص من الأجهزة الكهربائية في القمامة المنزلية. يجب جمع الأجهزة الكهربائية والإلكترونية منفصلة وتسليمها للتخلص منها بشكل لا يضر بالبيئة لدى شركة إعادة استغلال. الرجاء الاستفسار لدى الهيئات المحلية أو لدى التجار المتخصصين عن مواقع إعادة الاستغلال ومواقع الجمع.

علامة المطابقة الأوروبية

العلامة الوطنية للمطابقة الأوكرانية

علامة المطابقة الأوروبية الآسيوية



TR 066



Copyright 2017
Techtronic Industries GmbH
Max-Eyth-Straße 10
71364 Winnenden
Germany
+49 (0) 7195-12-0



(08.17)

4931 4146 48