

RYOBI®

RLT6030

ORIGINAL INSTRUCTIONS

Electric Line Trimmer/Edge Trimmer



Important!

It is essential that you read the instructions in this manual before assembling, maintaining and operating this machine.

Subject to technical modification.

GENERAL SAFETY WARNINGS

WARNING

When using the product, the safety rules must be followed. For your own safety and that of bystanders, please read these instructions before operating the product. Please keep the instruction safe for later use.

WARNING

This power tool is not intended to be used by children or persons with reduced physical, mental or sensory capabilities. Children should be adequately supervised to ensure they do not play with the power tool.

WARNING

Some regions have regulations that restrict the use of the product. Check with your local authority for advice.

TRAINING

- Never allow children or people unfamiliar with these instructions to use the product. Local regulations may restrict the age of the operator.
- Read the instructions carefully. Be familiar with all controls and the proper use of the machine.
- Keep bystanders, children and pets 15m away from the area of operation. Stop the product if anyone enters the area.
- Never use the product when you are tired, ill or under the influence of alcohol, drugs or medicine.
- Keep in mind that the operator or user is responsible for accidents or hazards occurring to other people or their property.

ELECTRICAL SAFETY

- Power plugs must match the outlet. Never modify the plug in any way. Do not use any adapter plugs with earthed (grounded) power tools. Unmodified plugs and matching outlets will reduce risk of electric shock.
- Avoid unintentional starting. Always check that the switch is in Off position before plugging in the product to the power supply. Do not carry a plugged in product with your finger on the switch.
- Avoid body contact with earthed or grounded surfaces, such as pipes, radiators, ranges and refrigerators. There is an increased risk of electric shock if your body is earthed or grounded
- Do not expose this product to rain or wet conditions. Water entering an appliance will increase the risk of electric shock
- Electrical power should be supplied via a residual current device (RCD) with a tripping current of not more than 30 mA.
- Before every use, examine the power cord for damage. If there are signs of damage, it must be replaced by at an Authorized Service Centre. Always uncoil the power cord during use, coiled cables can overheat.

- If you need to use an extension cable ensure it is suitable for outdoor use and has a current capacity sufficient to supply your tool, check it before every use for damage, always uncoil it during use because coiled cables can overheat. Damaged extension cables should not be repaired, they should be replaced with an equivalent type.
- Do not use the product if the electric cables are damaged or worn.
- If the power cord or extension cable becomes damaged during use, disconnect from the power supply immediately. Do not touch the electric cables until the power supply has been disconnected.
- Make sure the power cord is positioned so that it cannot be damaged by the cutting means and will not be stepped on, tripped over or otherwise subjected to damage or stress.
- Never pick up or carry the product by the electric cable.
- Never pull by the power cord to disconnect from the power supply.
- Keep the power cord away from heat, oil and sharp edges.
- Make sure voltage is correct for your product. A nameplate on the product indicates the unit's voltage. Never connect the product to an AC voltage that differs from this voltage.
- Make sure the switch is in Off position before disconnecting from power supply.

PREPARATION

- Wear full eye and hearing protection while operating the product. If working in an area where there is a risk of falling objects, head protection must be worn.
- Hearing protection may restrict the operators ability to hear warning sounds, pay particular attention to potential hazards around and inside the working area.
- Wear heavy long trousers, boots, and gloves. Do not wear loose fitting clothing, short trousers, jewellery of any kind, or use with bare feet.
- Secure long hair so it is above shoulder level to prevent entanglement in moving parts.
- Before use and after any impact, check that there are no damaged parts. A defective switch or any part that is damaged or worn should be properly repaired or replaced by an authorized service facility.
- Make sure the cutting attachment is properly installed and securely fastened.
- Never operate the machine unless all guards, deflectors and handles are properly and securely attached.
- Consider the environment in which you are working. Keep the working area free from wires, sticks, stones and debris which if struck by the cutter can become thrown objects.

LINE TRIMMER SAFETY WARNINGS

- Never allow children or people unfamiliar with the instructions to use the machine.
- Use the product in daylight or good artificial light.
- Avoid using on wet grass.

- Keep proper footing and balance at all times.
- Do not walk backwards when using the product.
- Walk, never run.
- Keep bystanders, children and pets 15m away from the area of operation, stop the product if anyone enters the area.
- Keep the cutting attachment below waist level.
- Never operate the product with damaged guards or without guards in place.
- Never fit a metal replacement line.
- Keep hands and feet away from the cutting means at all times and especially when switching on the motor.
- Beware, the cutting elements continue to rotate after the motor is switched off.
- Beware of objects thrown by the cutting means. Clear debris like small stones, gravel and other foreign objects from the work area before starting operation. Wires or string may become entangled with the cutting means.
- Switch off and disconnect from the power supply before:
 - servicing
 - leaving the product unattended
 - cleaning your product or clearing a blockage
 - changing accessories
 - checking for any damage after hitting an object
 - checking for any damage if the product starts to vibrate abnormally
 - performing maintenance
- The small blade fitted to the lawn guard is designed to trim the new extended line to the correct length for safe and optimum performance. It is very sharp, do not touch it particularly when cleaning the tool.
- Always ensure that ventilation openings are kept clear of debris.
- Make sure the cutting head attachment is properly installed and securely fastened.
- Make sure all guards, deflectors and handles are properly and securely attached.
- Do not modify the machine in any way, this may increase the risk of injury to yourself or others.
- Use only the manufacturer's replacement cutting line. Do not use any other cutting attachment.

TRANSPORTATION AND STORAGE

- Stop the machine and allow it to cool before storing or transporting.
- Clean all foreign material from the product. Store it in a cool dry and well-ventilated place that is inaccessible to children. Keep away from corrosive agents such as garden chemicals and de-icing salts. Do not store outdoors.
- For storage, always disconnect from power supply and wind cable.
- For transportation, secure the machine against movement or falling to prevent injury to persons or damage to the machine.

MAINTENANCE

⚠ WARNING

Use only original manufacturer's replacement parts, accessories and attachments. Failure to do so can cause possible injury, poor performance and may void your warranty.

⚠ WARNING

Servicing requires extreme care and knowledge and should be performed only by a qualified service technician. For service we suggest you return the product to your nearest authorized service center for repair. When servicing, use only identical replacement parts.

- Switch off and disconnect from the mains before: conducting any maintenance or cleaning work.
- You may make adjustments and repairs described here. For other repairs, contact the authorized service agent.
- For replacement line use only nylon filament line of the diameter described in the specification table of this manual
- After extending new cutter line, always return the product to its normal operating position before starting.
- After each use, clean the product with a soft dry cloth. Any part that is damaged should be properly repaired or replaced by an authorized service centre.
- Check all nuts, bolts and screws at frequent intervals for proper tightness to ensure the product is in safe working condition.

INTENDED USE

The product is only intended for use outdoors.

The product is designed for cutting grass, light weeds and other similar vegetation at or about ground level. The cutting plane should be approximately parallel to the ground surface when trimming and approximately vertical when edging.

The product should not be used to cut or trim hedges, bushes or other vegetation where the cutting plane is not at or about ground surface level.

RESIDUAL RISKS

Even when the product is used as prescribed, it is still impossible to completely eliminate certain residual risk factors. The following hazards may arise in use and the operator should pay special attention to avoid the following:

- Injury caused by vibration. Hold the tool by designated handles and restrict working time and exposure.
- Exposure to noise can cause hearing injury. Wear ear protection and limit exposure.

RISK REDUCTION

It has been reported that vibrations from hand-held tools may contribute to a condition called Raynaud's Syndrome in certain individuals. Symptoms may include tingling, numbness and blanching of the fingers, usually apparent upon exposure to cold. Hereditary factors, exposure to cold and dampness, diet, smoking and work practices are all thought to contribute to the development of these symptoms. There are measures that can be taken by the operator to possibly reduce the effects of vibration:

- Keep your body warm in cold weather. When operating the unit wear gloves to keep the hands and wrists warm. It is reported that cold weather is a major factor contributing to Raynaud's Syndrome.
- After each period of operation, exercise to increase blood circulation.
- Take frequent work breaks. Limit the amount of exposure per day.

If you experience any of the symptoms of this condition, immediately discontinue use and see your doctor about these symptoms.

WARNING

Injuries may be caused, or aggravated, by prolonged use of a tool. When using any tool for prolonged periods, ensure you take regular breaks.

KNOW YOUR PRODUCT

See page 6.

PARTS

1. Rear handle
2. Trigger
3. Cord retainer
4. Power cord
5. Front handle holder
6. Front handle
7. Handle adjusting knob
8. Upper shaft
9. Telescopic collar
10. Lower shaft
11. Cord hook
12. Foot pedal
13. Pivoting head
14. Safety guard
15. Edging wheel
16. Plant protector
17. Cut-off blade
18. Cutting line
19. Spool cover
20. Spool cover lock button
21. Line release button
22. Eyelet
23. Spool

SYMBOLS ON THE PRODUCT



Read and understand all instructions before operating the product, follow all warnings and safety instructions.



Wear eye protection.



Wear hearing protection.



Do not use metal blade(s) on the product.



Do not expose to rain or damp condition.



Remove plug from the mains immediately before maintenance or if cable is damaged or cut



Beware of thrown or flying objects. Keep all bystanders a safe distance away from the product.



Beware of thrown or flying objects. Keep all bystanders, especially children and pets, at least 15m away from the operating area.



Keep hands away from blades



Class II tool, double insulation



Waste electrical products should not be disposed of with household waste. Please recycle where facilities exist. Check with your Local Authority or retailer for recycling advice.



Conforms to all regulatory standards in the country in the EU where the product is purchased.



GOST-R Conformity



Guaranteed sound power level is 96 dB.

The following signal words and meanings are intended to explain the levels of risk associated with this product:



DANGER

Indicates an imminently hazardous situation, which, if not avoided, will result in death or serious injury.



WARNING

Indicates a potentially hazardous situation, which, if not avoided, could result in death or serious injury.



CAUTION

Indicates a potentially hazardous situation, which, if not avoided, may result in minor or moderate injury.

CAUTION

(Without Safety Alert Symbol)
Indicates a situation that may result in property damage.

SYMBOLS IN THIS MANUAL



Connect to power outlet.



Disconnect from power outlet.



Parts or accessories sold separately



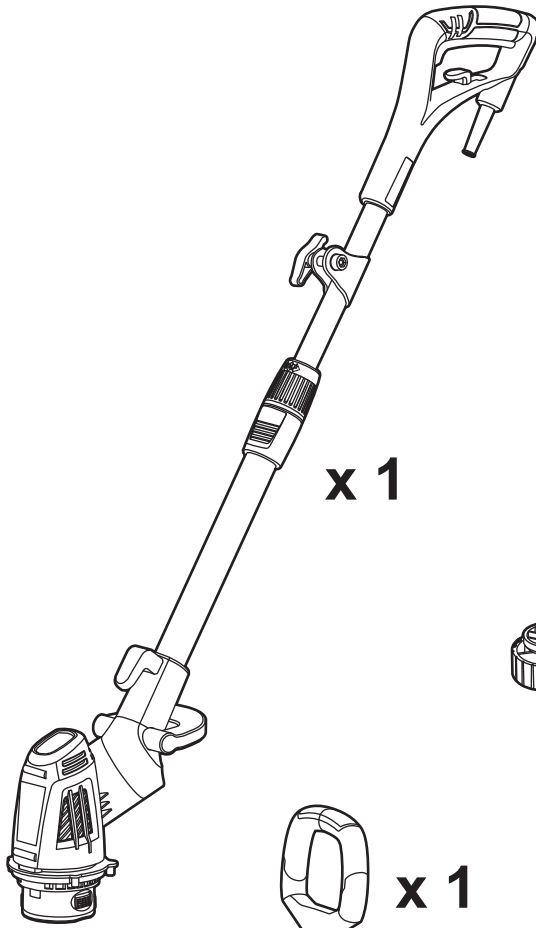
Waste electrical products should not be disposed of with household waste. Please recycle where facilities exist.



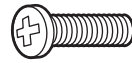
Note



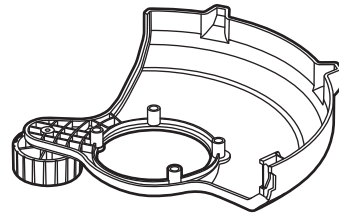
Warning



x 1



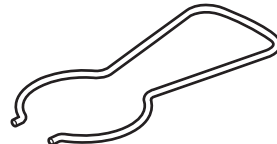
x 4



x 1

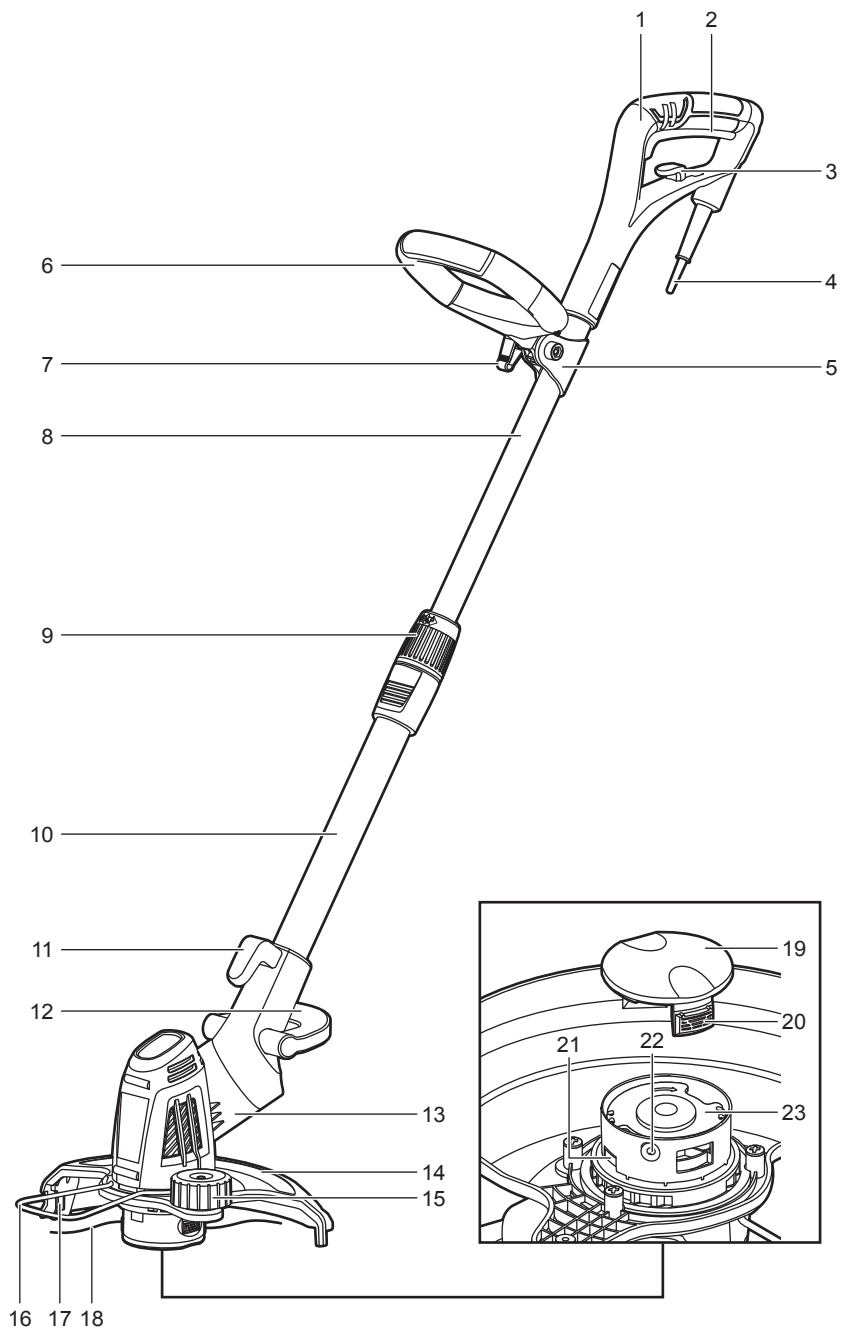


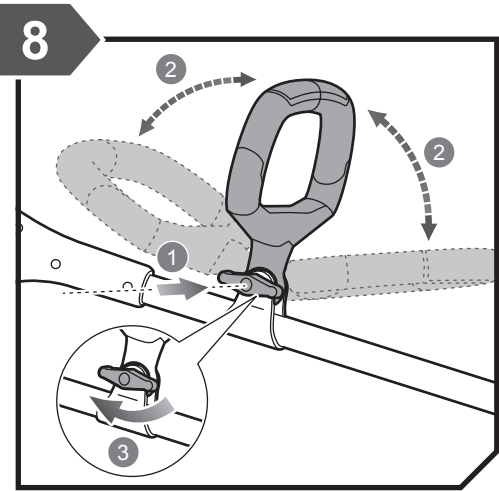
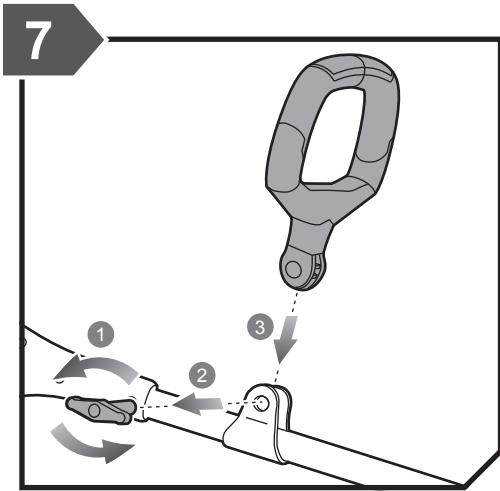
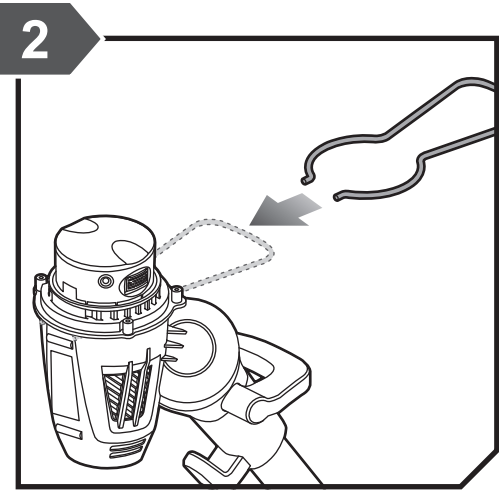
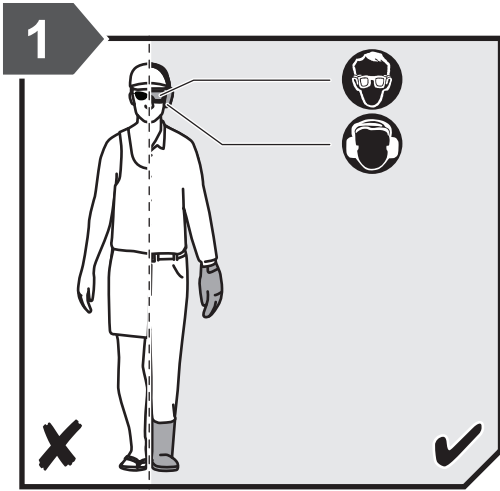
x 1

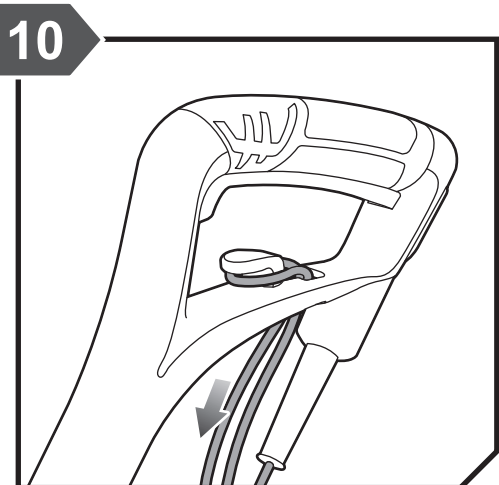
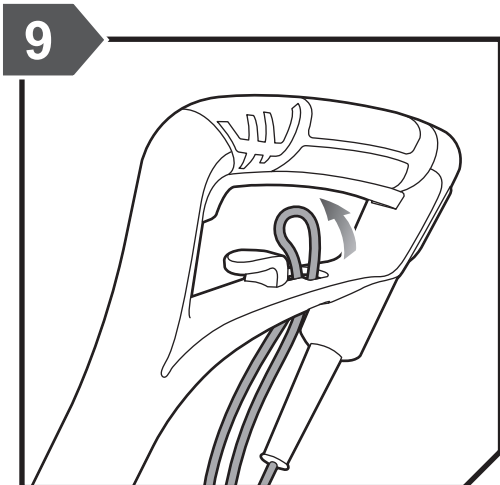
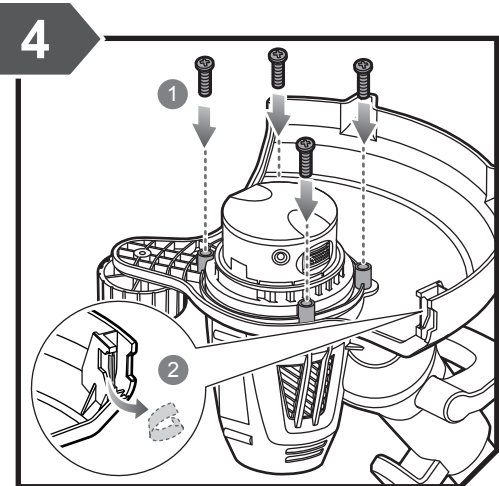
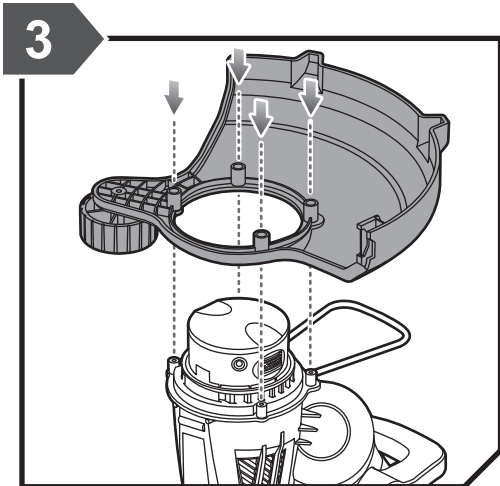


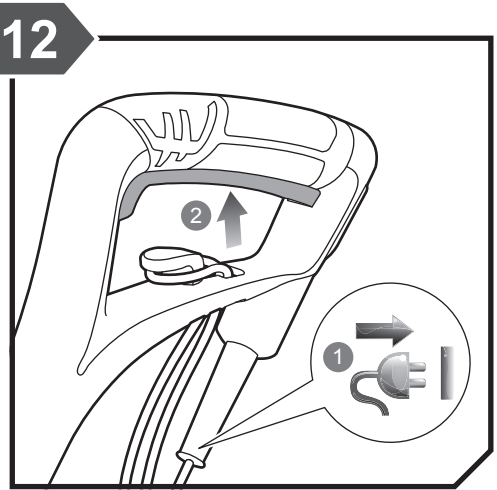
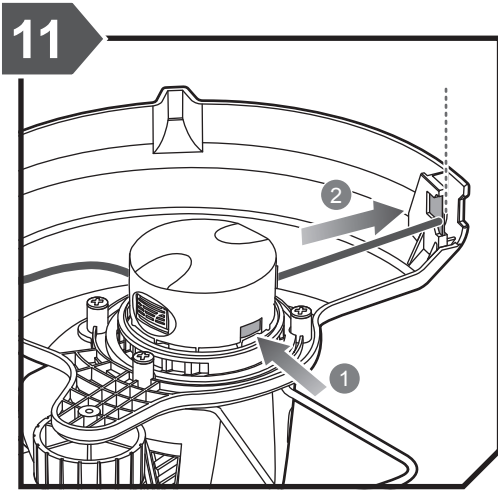
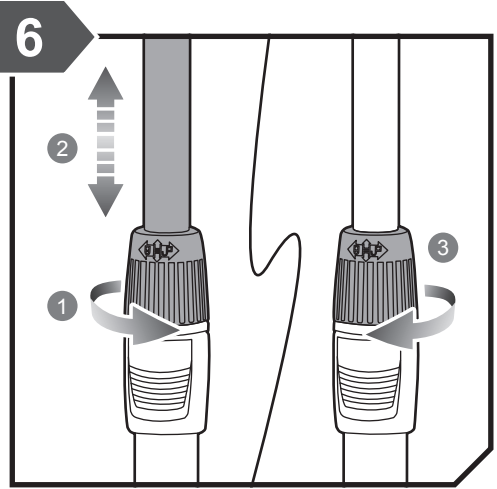
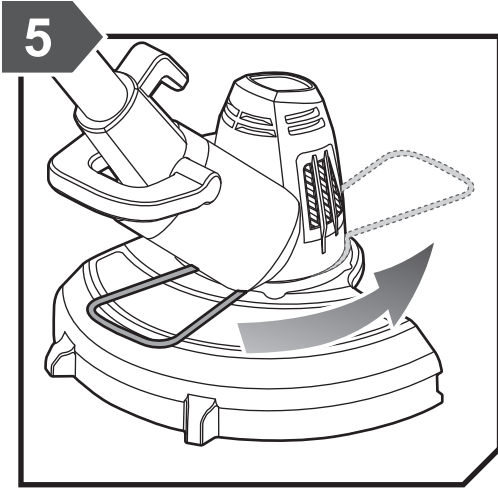
x 1







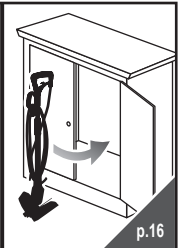
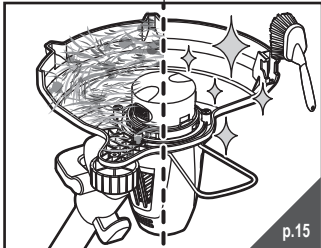
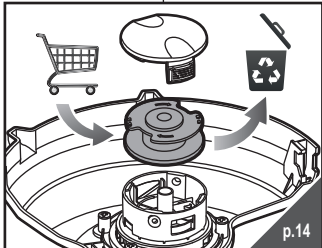
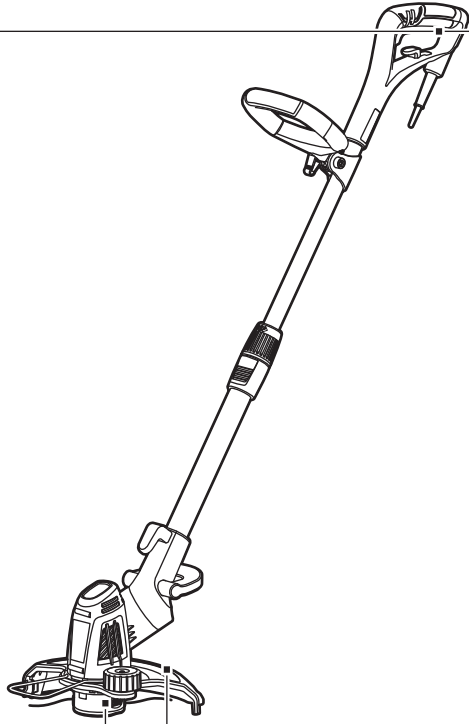
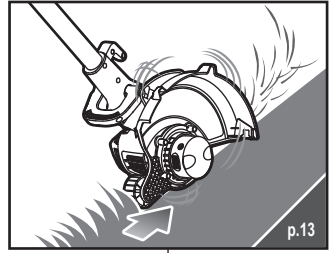
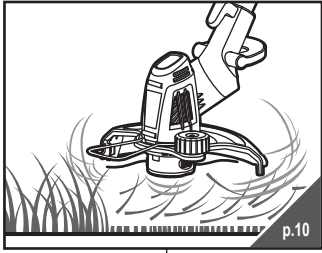


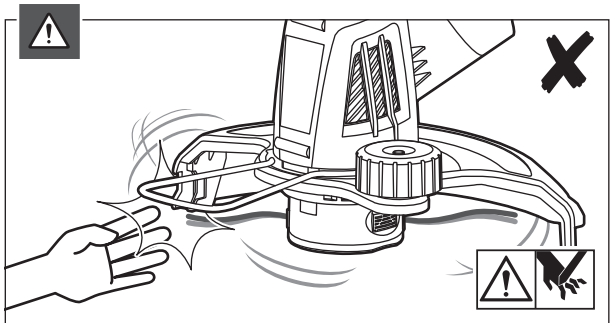
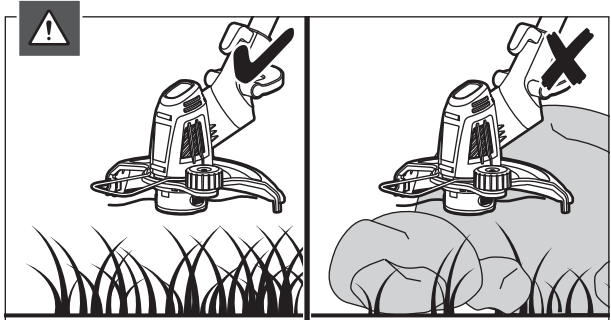
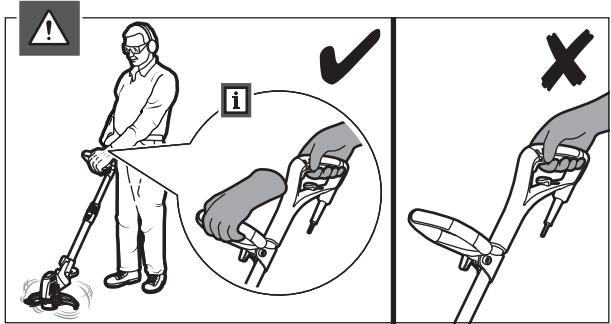
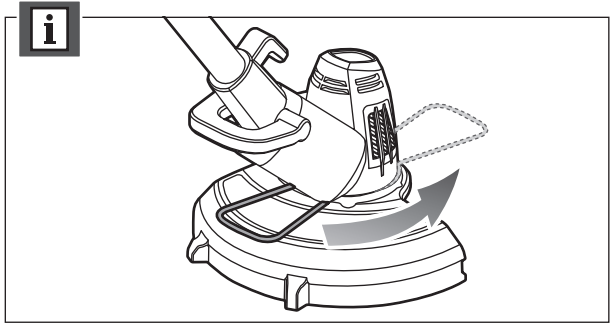
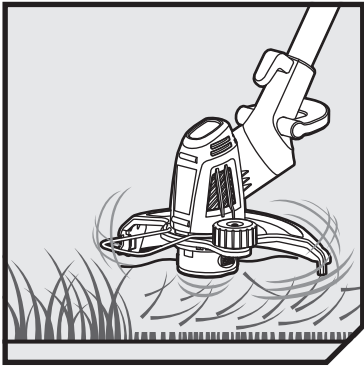


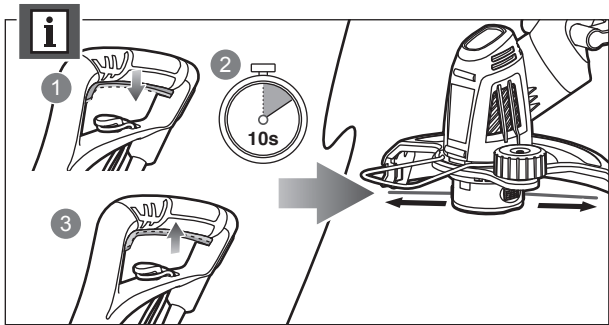
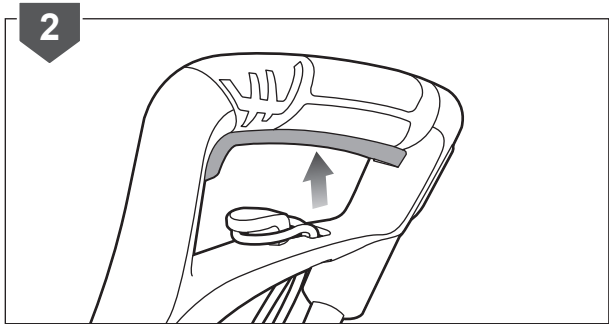
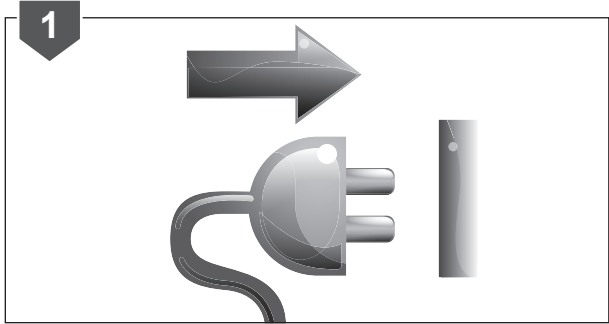
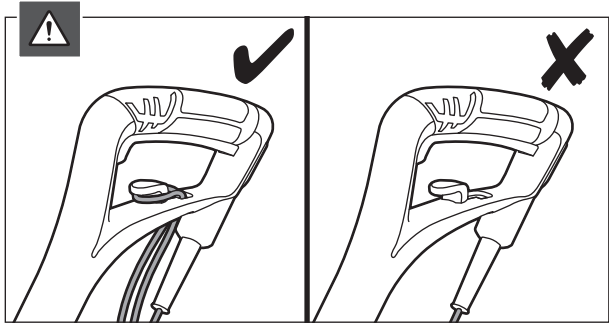


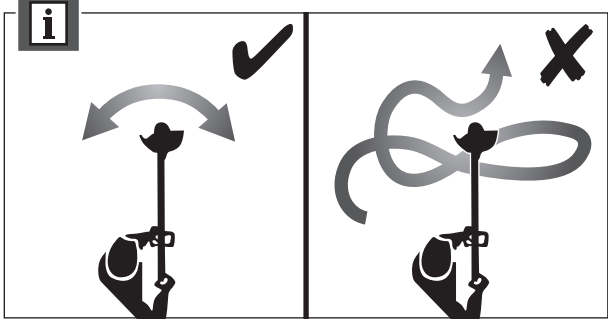
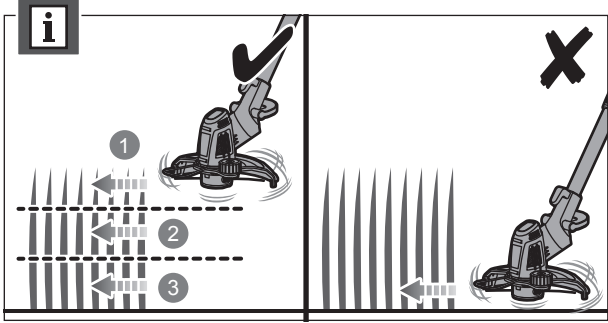
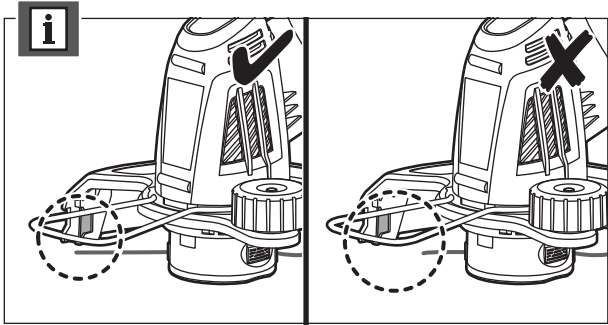
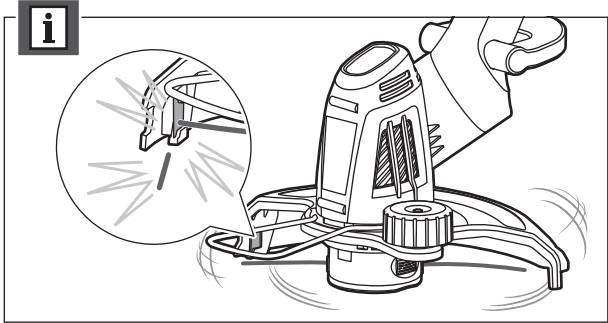


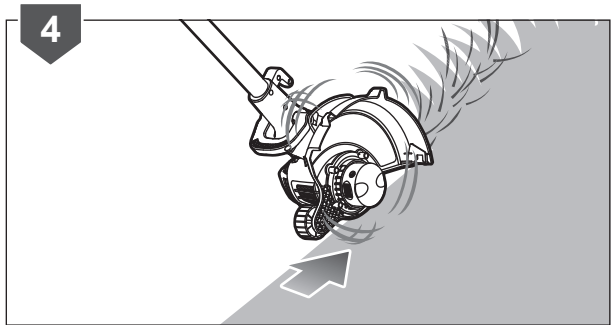
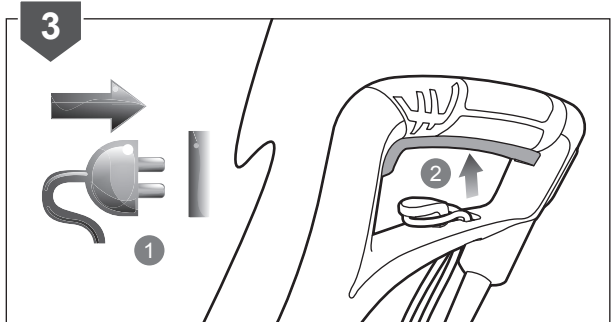
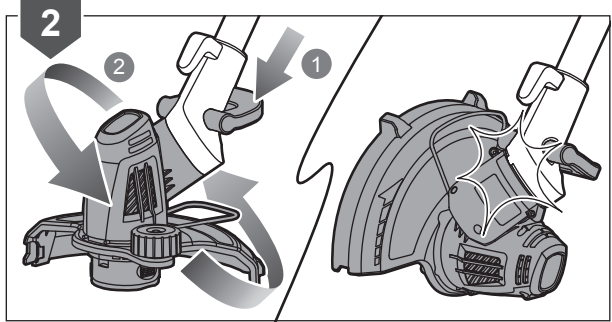
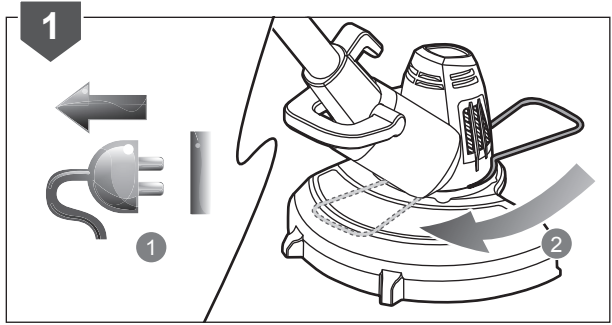
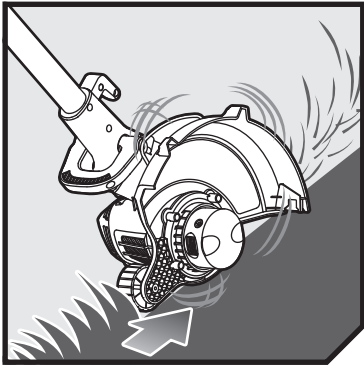


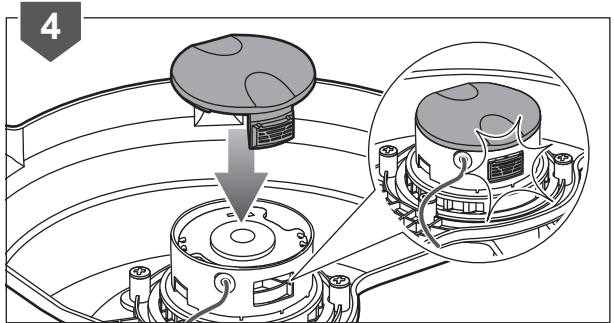
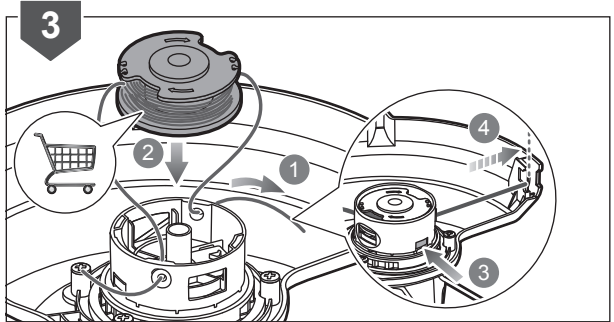
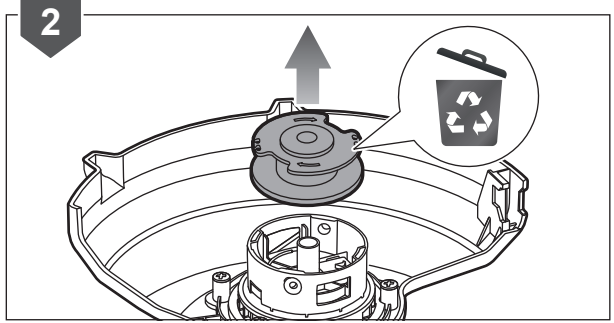
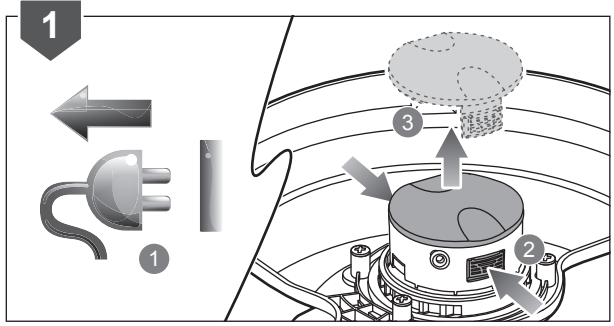
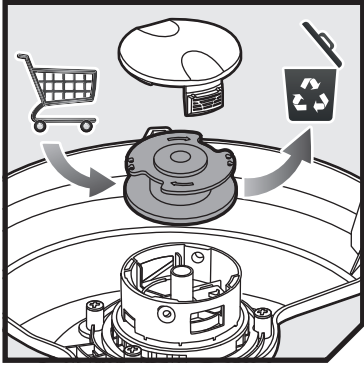


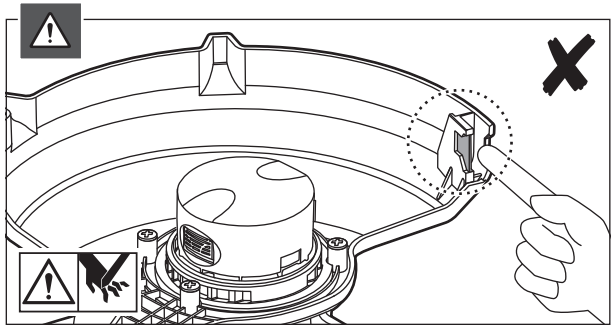
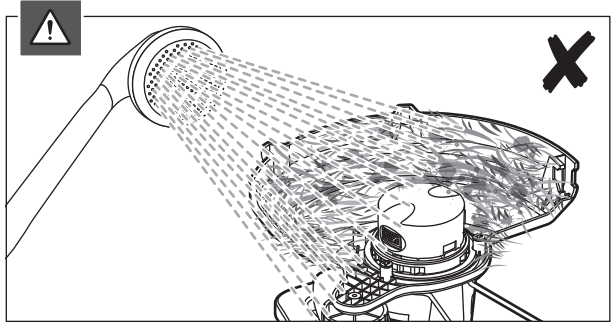
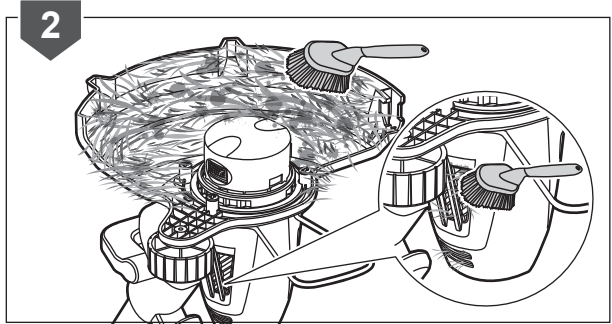
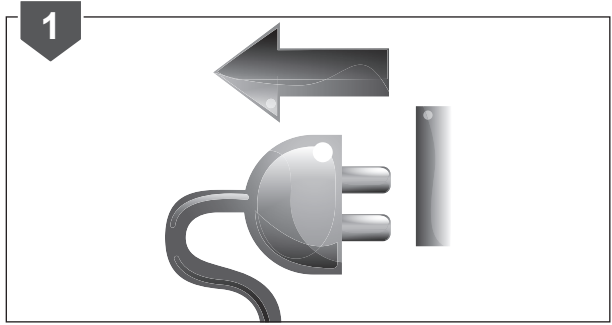
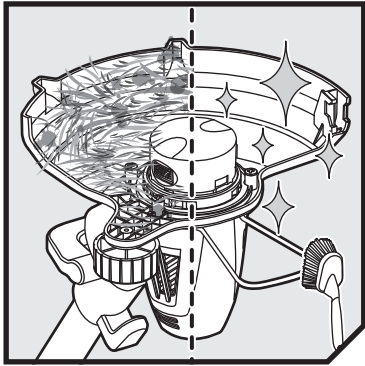


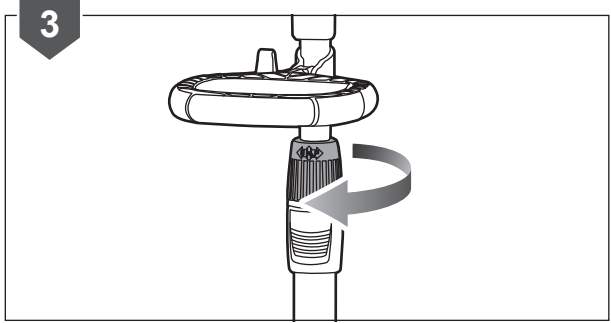
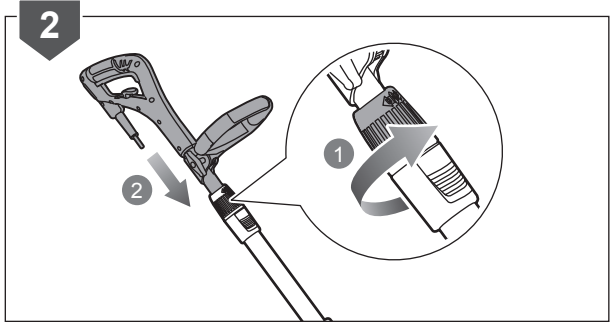
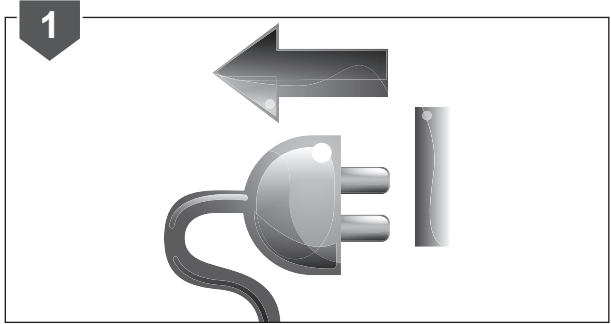
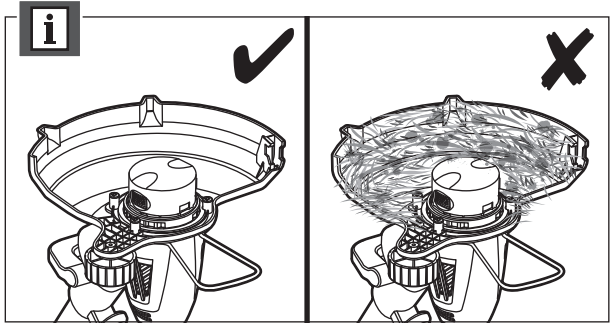
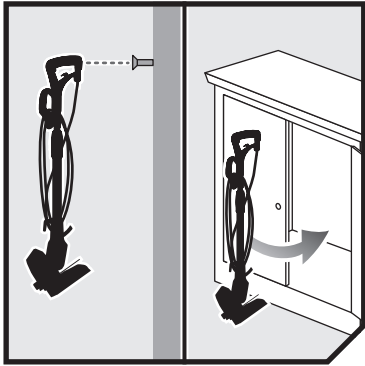


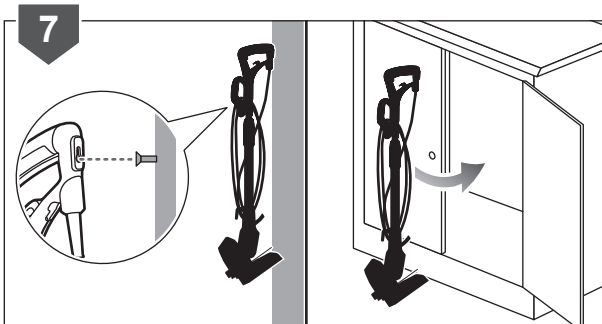
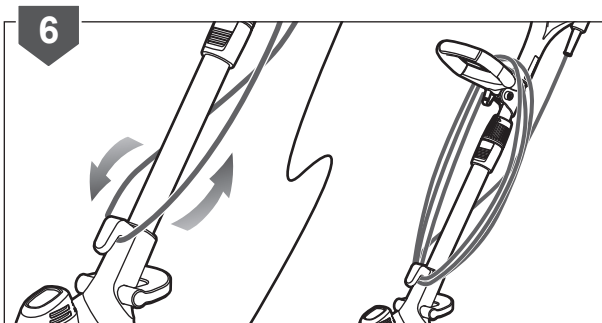
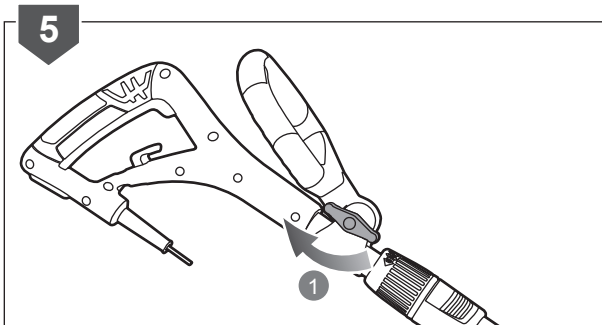
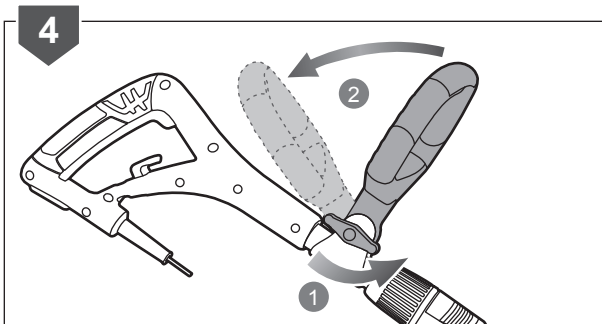












PRODUCT SPECIFICATIONS

Rated power	600 W
Rated voltage	230 V ~ 50 Hz
No-load speed	9,500 min ⁻¹
Cutting line diameter	1.5 mm
Cutting capacity	30 cm
Vibration level (in accordance with EN 786 Annex D)	
Rear handle	4.13 m/s ²
Front handle	2.30 m/s ²
Uncertainty of measurement	1.5 m/s ²
Noise emission level (in accordance with EN 786 Annex E)	
A-weighted sound pressure level at the operator's position	84.1 dB(A)
Uncertainty of measurement	3 dB
A-weighted sound power level	95.4 dB(A)
Uncertainty of measurement	0.52 dB
Weight	3.4 kg

REPLACEMENT PART

1.5 mm complete spool	RAC122
1.5 mm spool (3 pcs)	RAC123

GUARANTEE

In addition to any statutory rights resulting from the purchase, this product is covered by a guarantee as stated below.

1. The guarantee period is 24 months for consumers and commences on the date when the product was purchased. This date has to be documented by an invoice or other proof of purchase. The product is designed and dedicated to consumer and private use only. So there is no guarantee provided in case of professional or commercial use.
2. There is, in some cases (i.e. promotion, range of tools), a possibility to extend the warranty period over the period described above using the registration on the www.ryobitools.eu website. The eligibility of the tool is clearly displayed in stores and/or on packaging. The end user needs to register his/her newly-acquired tools online within 8 days the date of purchase. The end user may register for the extended warranty in his country of residence if listed on the online registration form where this option is valid. Furthermore, end users must give their consent to the storage of the data which are required to enter online and they have to accept the terms and conditions. The registration confirmation receipt, which is sent out by e-mail, and the original invoice showing the date of purchase will serve as proof of the extended warranty. Your statutory rights remain unaffected.
3. The guarantee covers all defects of the product during the warranty period due to defaults in workmanship or material at the purchase date. The guarantee is limited to repair and/or replacement and does not include any other obligations including but not limited to incidental or consequential damages. The warranty is not valid if the product has been misused, used contrary to the instruction manual, or being incorrectly connected. This guarantee does not apply to:
 - any damage to the product that is the result of improper maintenance
 - any product that has been altered or modified
 - any product where original identification (trade mark, serial number) markings have been defaced, altered or removed
 - any damage caused by non-observance of the instruction manual
 - any non CE product
 - any product which has been attempted to be repaired by an non-qualified professional or without prior authorization by Techtronic Industries
 - any product connected to improper power supply (amps, voltage, frequency)
 - any product used with inappropriate fuel mixture (fuel, oil, percentage of oil)
 - any damage caused by external influences (chemical, physical, shocks) or foreign substances
 - normal wear and tear of spare parts
 - inappropriate use, overloading of the tool
 - use of non-approved accessories or parts
 - carburettor after 6 months, carburettor adjustments after 6 months
 - components (parts and accessories) subject to natural wear and tear, including but not limited to bump knobs, drive belts, clutch, blades of hedge trimmers or lawn mowers, harness, cable throttle, carbon brushes, power cord, tines, felt washers, hitch pins, blower fans, blower and vacuum tubes, vacuum bag and straps, guide bars, saw chains, hoses, connector fittings, spray nozzles, wheels, spray wands, inner reels, outer spools, cutting lines, spark plugs, air filters, gas filters, mulching blades, etc.
4. For servicing, the product must be sent or presented to an RYOBI authorized service station listed for each country in the following list of service station addresses. In some countries your local RYOBI dealer undertakes to send the product to the RYOBI service organisation. When sending a product to an RYOBI service station, the product should be safely packed without any dangerous contents such as petrol, marked with sender's address and accompanied by a short description of the fault.
5. A repair/replacement under this guarantee is free of charge. It does not constitute an extension or a new start of the guarantee period. Exchanged parts or tools become our property. In some countries delivery charges or postage will have to be paid by the sender.
6. This guarantee is valid in the European Community, Switzerland, Iceland, Norway, Liechtenstein, Turkey and Russia. Outside these areas, please contact your authorized RYOBI dealer to determine if another warranty applies.



AUTHORISED SERVICE CENTRES

Rycko Technical Services LTD

104 Green Lane Hertfordshire AL3 6EX St Albans
Phone: 08458 678 790
Email: info@ryckotechical.com

Penn Lawn Mowers

19-21 Parkside Ind Estate Hants BH24 3SG
Ringwood
Phone: 01425 479386
Fax: 01425 479386
Email: sales@penn-lawn-mowers.co.uk

Brighton Tools & Fixings

Unit 7, Centenary Ind Estate Hughes Road, Off
Hollingdean Road Sussex Est BN2 4AW Brighton
Phone: 01273 620 456
Fax: 01273 620611
Email: wayne@brightontools.co.uk

Tooltech Industrial Equip

227 E Dunhill Road Macosquin Coleraine Co
Londonderry BT514LQ
Phone: 028 70359493
Email: john@tooltech.org.uk

The Lawnmower Company

Unit B1, North Cheshire Trading Estate Prenton
CH43 3DU Wirral
Phone: 0151 609 0652
Fax: 0151 608 7615
Email: ticwirral@aol.com

C J Sinclair Limited

44 Victoria Road St Peters KENT CT10 2UG
Broadstairs
Phone: 01843 869400
Fax: 01843 869400
Email: repairs@cjsinclairltd.co.uk

ACD PLANT LTD

145 Southbank Road Coundon CV6 1FG Coventry
Phone: 02476 594348
Email: danmcgunigle@acdplant.co.uk

Vale Garden & Leisure

King Street Middlewich Cheshire CW10 9LF
Phone: 01606 841800
Email: garden@valemotorcycles.co.uk

JWC Tool Repairs

Unit 6 Hills Centre Johnstown Road Dun Laoghaire
Co Dublin 18
Phone: 01 2369877
Email: jwc.toolrepairs@eircom.net

Frank Clark Ltd

Doughcloyne Industrial Estate Sarsfield Road Wilton,
Cork EIRE
Phone: 00353 21 4542222
Email: vicky@frankclark.ie

Murray Power Tools

10 Primrose Avenue Grangemouth FK3 8YD Falkirk
Phone: 01324 486218
Fax: 01324 666184
Email: info@murraypowertools.com

Austin Eames

Plas Acton Wrexham North Wales LL11 2UB
Phone: 01978 261095
Email: austineames@btconnect.com

Wrexham Power Tools

Five Fords Gate, Bridge Road, Wrexham Ind Estate
Wrexham LL13 9PS Wrexham
Phone: 01978 660011
Fax: 01978 664644
Email: info@wrexhampower.co.uk

Lawnmower Service Limited

Grantham Road, Wellingore LN5 0HH Lincolnshire
Phone: 01522 810562

Power Tool Solutions

321 Newark Road Bracebridge LN5 8PE LINCOLN
Phone: 01522 535352
Fax: 01592 519005
Email: sales@powertoolsolutions.co.uk

C D Powertools

76 Old Road Chunwell Morley LS27 7TH Leeds
Phone: 0113 271 84 94
Fax: 0113 270 99 55
Email: info@cdpowertools.co.uk

Henton & Chattell Limited

London Road Nottingham NG2 3HW
Phone: 0115 986 2161
Email: service@hentonandchattell.com

Garden Machines (Northampton)

66-70 Kingsthorpe Road NN2 6HD Northampton
Phone: 01604 716222
Email: jackbrown@gardenmachinesltd.co.uk

CBS Power Tools Limited

Unit 4, V P Square Fengate PE1 5YS Peterborough
Phone: 01733 343031
Email: keith@cbspowertools.co.uk

Plymouth Tools & Spares

111 Victoria Road St Budeaux PL15 1RX Plymouth
Phone: 01752 361474
Fax: 01752 366133
Email: info@plymouthtools.com

Island Power Tools & Hire Centre

Unit D 5 Spithead Bus Centre, Newport Road,
Sandown Isle of Wight PO36 9PH Sandown
Phone: 01983 404546
Fax: 404241
Email: steve@islandpowertools.wanadoo.co.uk

Aldermaston Tools

Unit 47 Young's Ind Estate RG7 4PW Aldermaston
Phone: 0118 981 1470
Fax: 0118 981 6879
Email: aldermaston@btconnect.com

CME Plant

Bryn Y Groes Farm Ystradgynlais West Glamorgan
SA9 1LF
Phone: 01639 845184
Email: becca@cme-direct.co.uk

Southern Power Tool Services

Unit A Nickel Close Winnall Hampshire SO23 7RJ
Winchester
Phone: 01962 863507

Tool-Line Limited

480-486 London Road Westcliff on sea Essex SS0
9LD Westcliff-On-Sea
Phone: 01702 391791

Marshall & Parsons

1111 London Road Leigh on Sea Essex SS9 3JL
Leigh-On-Sea
Phone: 01702 470100

POWERTECH IND LTD

Unit 2c Ellisons Road Killmarsh S21 2JG Sheffield
Phone: 0114 247 4080
Email: workshop@powertech-industrial.co.uk

Toolfix Limited

Unit 8 Quay Road Brunel Ind Estate TQ12 4DZ
Newton Abbot
Phone: 01626 362129

Celtic Engineering

Water-Ma-Trout Ind Est Helston Cornwall TR13 0LV
Dublin 11
Phone: 01326 574961
Email: celticeng@btconnect.com

Heath Hayes Marine

49 Stafford Street Heath Hayes Cannock, Staffs
WS12 2EH
Phone: 01543 275048
Email: hhmsales@btconnect.com

PTRS

90/2 Lagan Road Dublin Ind Estate Glasnevin
Dublin 11
Phone: 01 8305866
Email: enquiries@powertool.ie

Paragon Power Tools Ltd

11-12 Cookstown Enterprise Park, Tallaght Dublin 24
Phone: 00353014596999
Email: service@paragonpt.com

Donegal Fixings

Glerczou Business Park Mouicle Co Donegal
Phone: 074 93 82046
Email: donegalfixings@yahoo.ie

J W Tools

Unit 8 Oranmore Business Park Oranmore Co
Galway
Phone: 091 792880
Email: joewhelan@jawnking.ie

DALY INDUSTRIAL

95 Lower Glanmire Road Cork Ireland
Phone: 00353 21 4500051
Fax: 003532214508203
Email: info@disc.ie

For an updated list of authorised service centres, visit <http://www.rybitools.co.uk/service-support/service-agents>.



DECLARATION OF CONFORMITY

Techtronic Industries GmbH
Max-Eyth-Straße 10, 71364 Winnenden, Germany

Herewith we declare that the product

Electric Line Trimmer/Edge Trimmer
Brand: Ryobi
Model number: RLT6030
Serial number range: 44419901000001-44419901999999

is in conformity with the following European Directives and harmonized standards

2006/42/EC, 2004/108/EC, 2000/14/EC, 2005/88/EC, 2011/65/EU, EN 60335-1:2012, EN 60335-2-91:2003,
EN 786:1996+A2:2009, EN ISO 3744:2010, EN 55014-1:2006+A1:2009+A2:2011,
EN 55014-2:1997+A1:2001+A2:2008, EN 61000-3-2:2006+A1:2009+A2:2009, EN 61000-3-3:2008, EN 62233:2008

And furthermore, we declare that following other technical standards and specifications have been used

ISO 11094:1991

Measured sound power level: 95.4 dB(A)

Guaranteed sound power level: 96 dB(A)

Conformity assessment method to Annex VI Directive 2000/14/EC amended by 2005/88/EC.

The notified body involved:

Intertek Testing & Certification Ltd. (Notified Body 0359)

Davy Avenue, Knowlhill, Milton Keynes, MK5 8NL



Andrew John Eyre (BEng, CEng, MIET)

Vice President, Regulatory & Safety

Winnenden, Dec. 05, 2013

Authorised to compile the technical file:

Alexander Krug, Managing Director

Techtronic Industries GmbH

Max-Eyth-Straße 10, 71364 Winnenden, Germany

