

After Sales Service Service Bulletin



Brand: AC AEG MET Kango

Available: Intern Distributors
 Sales Companies Archiv

Bulletin No.:
Product Group: Battery tools

Model MET: M12-IR 3/8" / 1/4"

Description: repair assembling

Reasons for Change: repair assembling

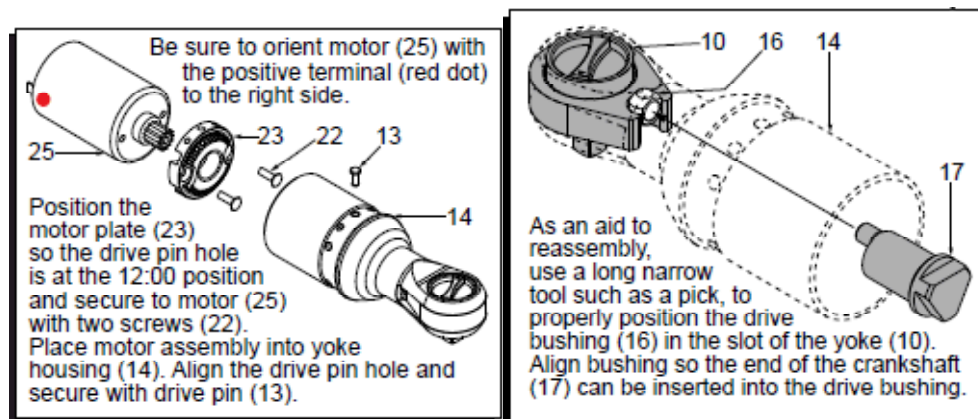
Existing Part No.:

New Part No.:

Change effective date:

Specifications:

below some technical information for repair and assembling the M12-IR Ratchet for both version 1/4" as well 3/8"



created by Jürgen Bayh/AEW/IT/AEG-Milwaukee at 25.02.2015 13:35

modified by at 25.02.2015 13:35

After Sales Service Service Bulletin



Brand: AC AEG MET Kango

Available: Intern Distributors
 Sales Companies Archiv

Bulletin No.:

Product Group: Battery tools

Model MET: M12-IR 3/8" / 1/4"

Description: assembling connecting

Reasons for Change: wiring

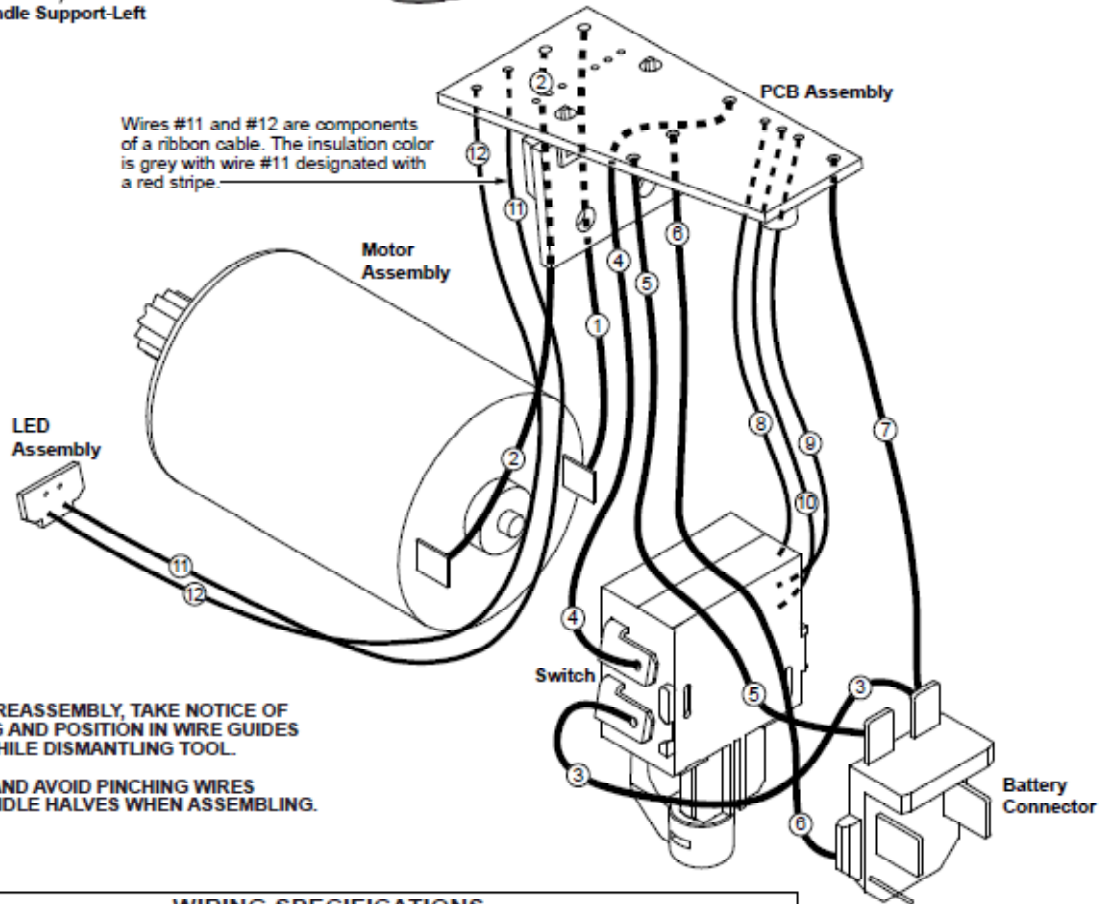
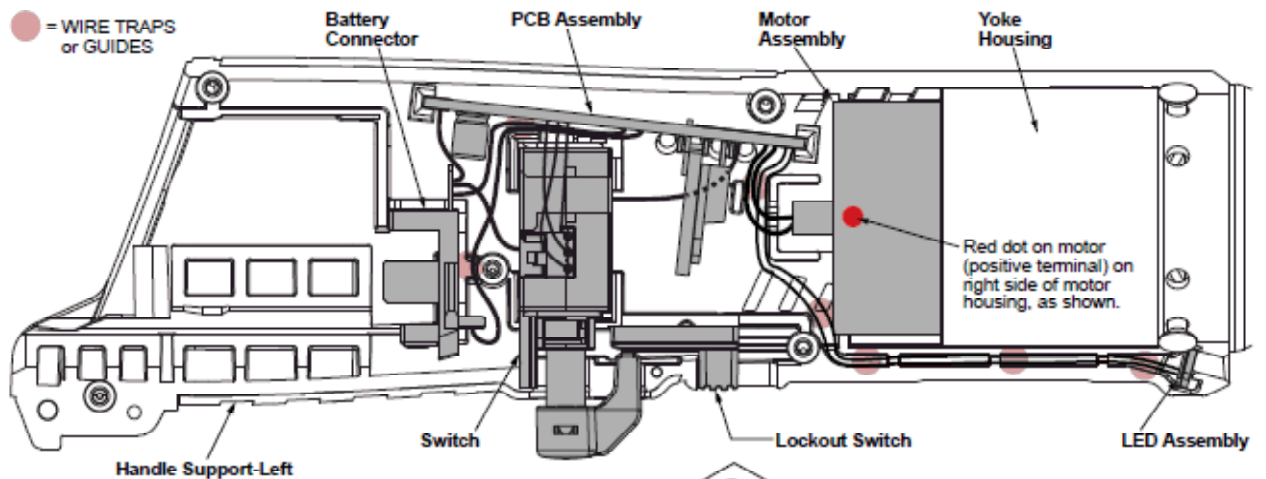
Existing Part No.:

New Part No.:

Change effective date:

Specifications:

please find below wiring for M12-IR Ratchet



AS AN AID TO REASSEMBLY, TAKE NOTICE OF WIRE ROUTING AND POSITION IN WIRE GUIDES AND TRAPS WHILE DISMANTLING TOOL.
 BE CAREFUL AND AVOID PINCHING WIRES BETWEEN HANDLE HALVES WHEN ASSEMBLING.

WIRING SPECIFICATIONS

Wire No.	Wire Color	Origin or Part No.	Gauge	Length	Terminals, Connectors and End Wire Preparation
1	Red	23-66-3020	-	-	Component of the Switch Assembly.
2	White	23-66-3020	-	-	Component of the Switch Assembly.
3	Red	23-66-3020	-	-	Component of the Switch Assembly.
4	Black	23-66-3020	-	-	Component of the Switch Assembly.
5	Black	23-66-3020	-	-	Component of the Switch Assembly.
6	White	23-66-3020	-	-	Component of the Switch Assembly.
7	Red	23-66-3020	-	-	Component of the Switch Assembly.
8	Yellow	23-66-3020	-	-	Component of the Switch Assembly.
9	Blue	23-66-3020	-	-	Component of the Switch Assembly.
10	Black	23-66-3020	-	-	Component of the Switch Assembly.
11	Grey w/ Red Stripe	23-66-3020	-	-	Component of the Switch Assembly.
12	Grey	23-66-3020	-	-	Component of the Switch Assembly.

NOTE:
 All leads must be held to $\pm 1/16"$.
 All lead lengths are before strip-

TERMINAL DESCRIPTION		
Code	Part No.	Qty.
CONNECTOR DESCRIPTION		

created by Jürgen Bayh/AEW/IT/AEG-Milwaukee at 25.02.2015 13:32
modified by Jürgen Bayh at 25.02.2015 13:35