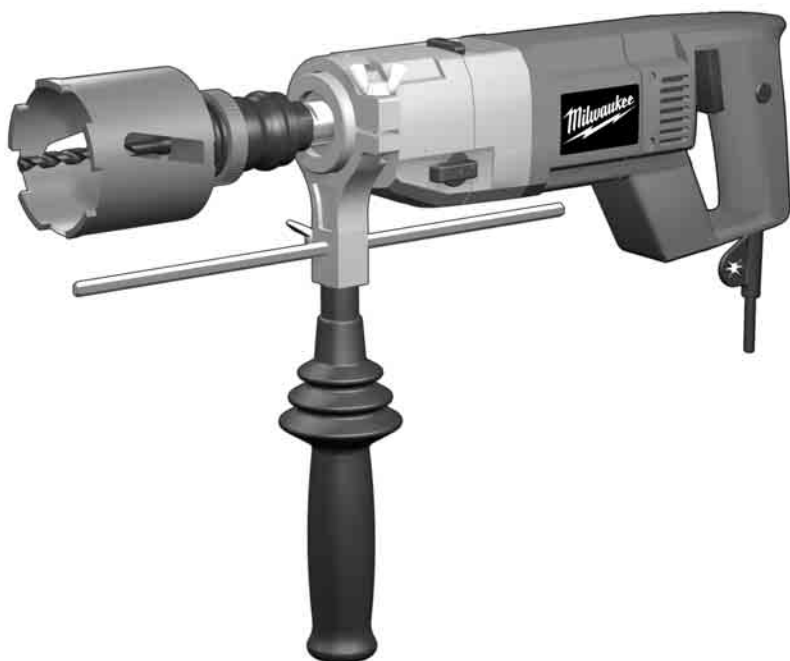


Milwaukee®

Nothing but **HEAVY DUTY**®



DD2-160 XE

Original instructions

Originalbetriebsanleitung

Notice originale

Istruzioni originali

Manual original

Oorspronkelijke gebruiksaanwijzing

Original brugsanvisning

Original bruksanvisning

Bruksanvisning i original

Alkuperäiset ohjeet

Πρωτότυπο οδηγιών χρήσης

Orijinal işletme talimatı

Původním návodem k používání

Pôvodný návod na použitie

Instrukcja oryginalna

Eredeti használati utasítás

Izvirna navodila

Originalne pogonske upute

Instrukcijām oriģinālvalodā

Originalni instrukcija

Algupärane kasutusjuhend

Оригинальное руководство по эксплуатации

Оригинално ръководство за експлоатация

Instrucțiuni de folosire originale

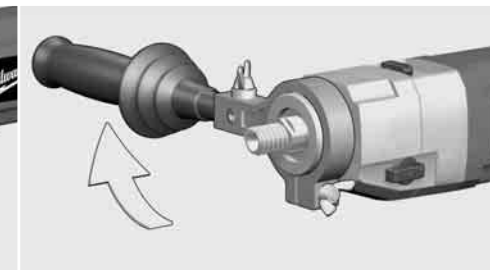
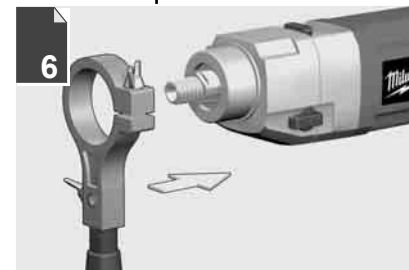
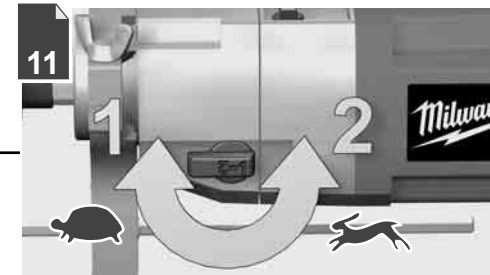
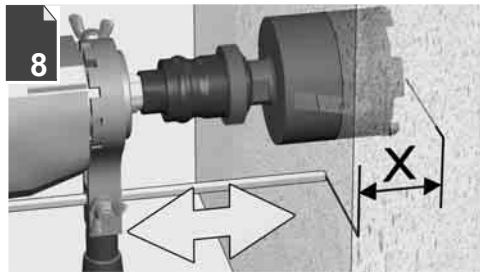
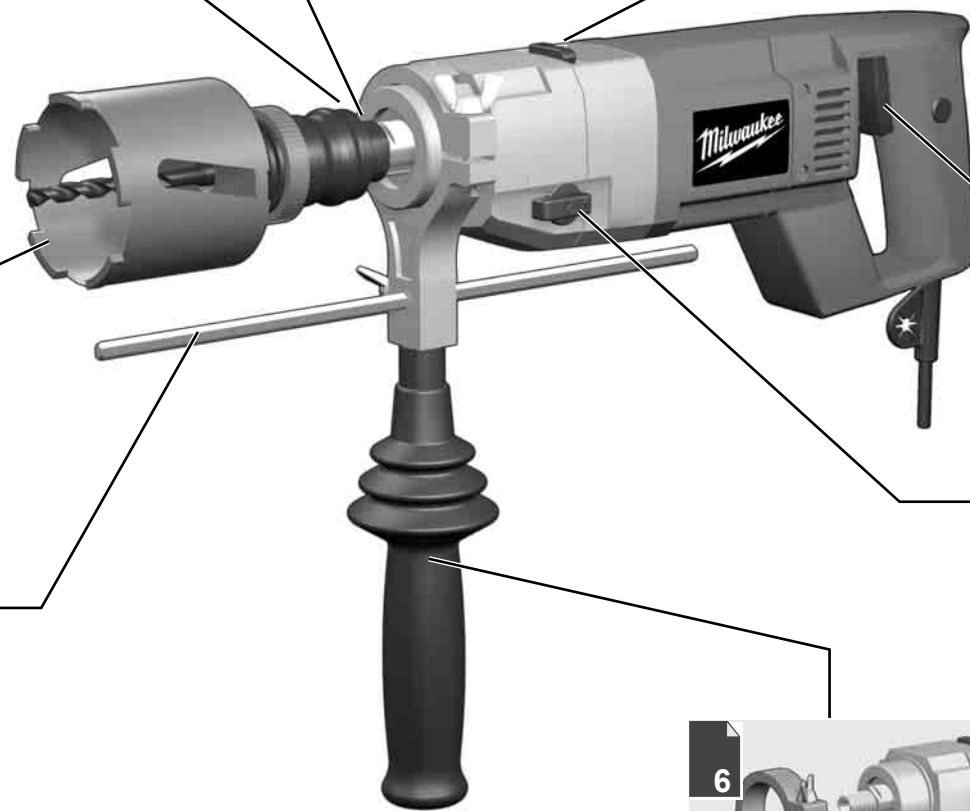
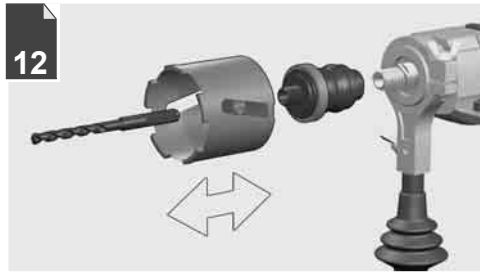
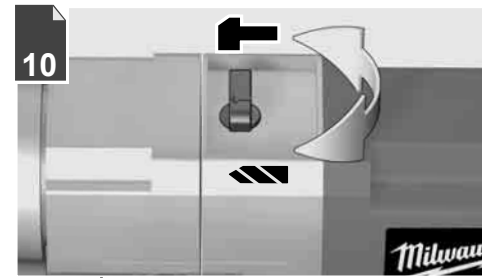
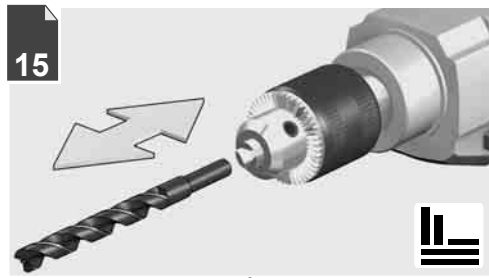
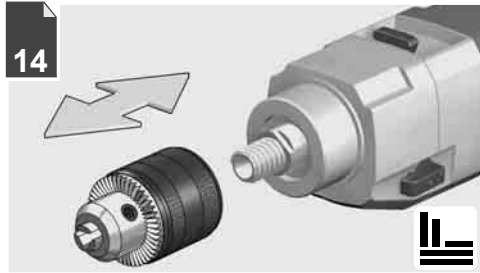
Оригинален прирачник за работа

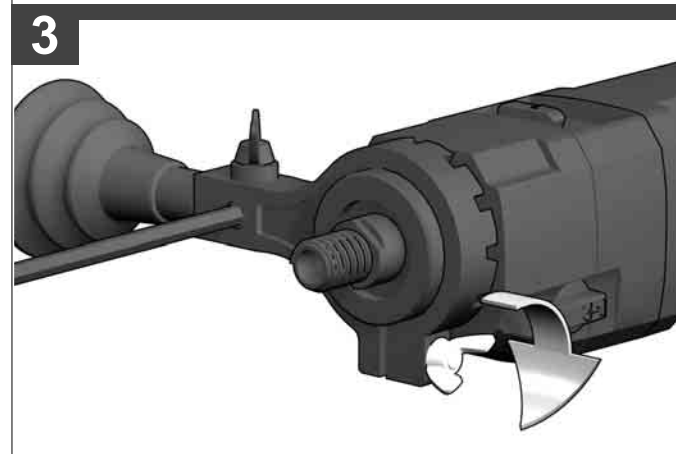
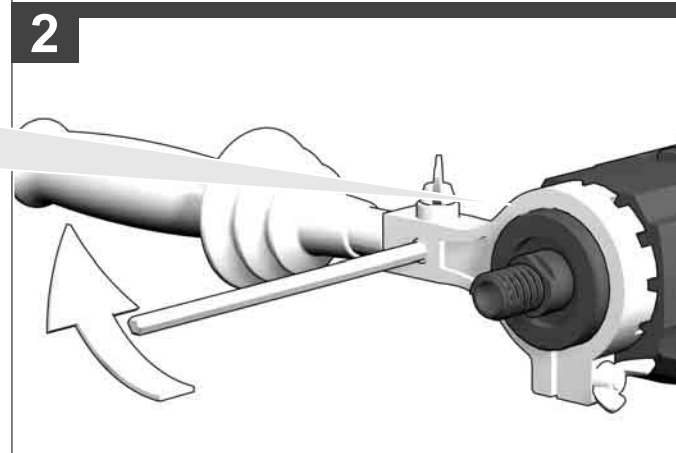
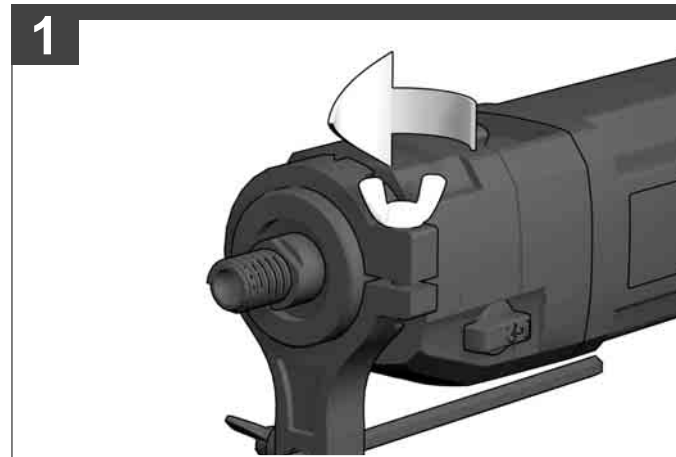
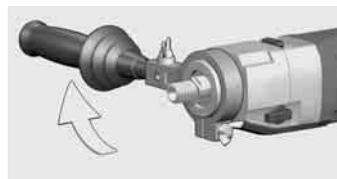
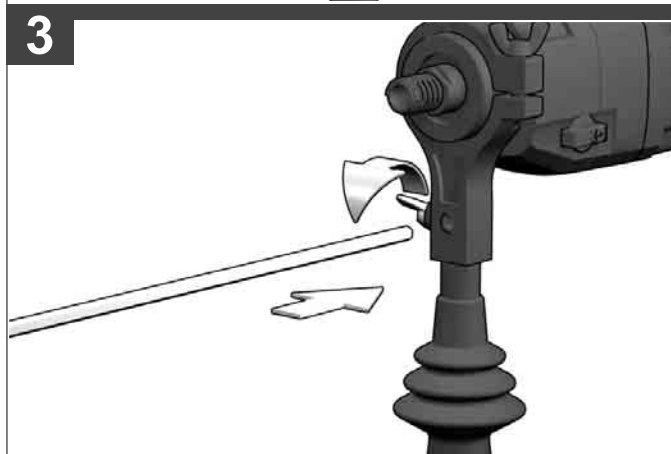
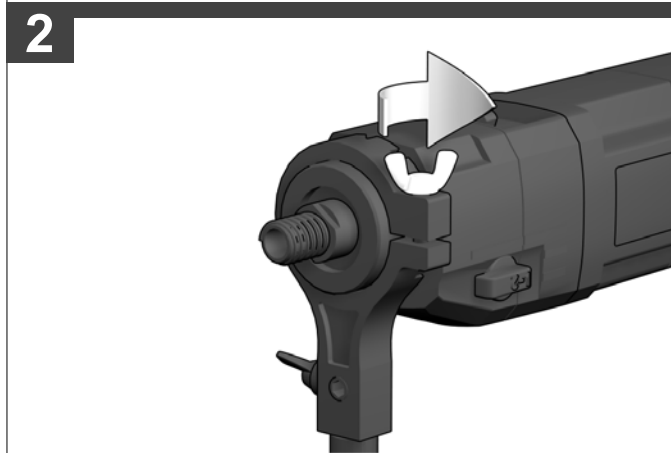
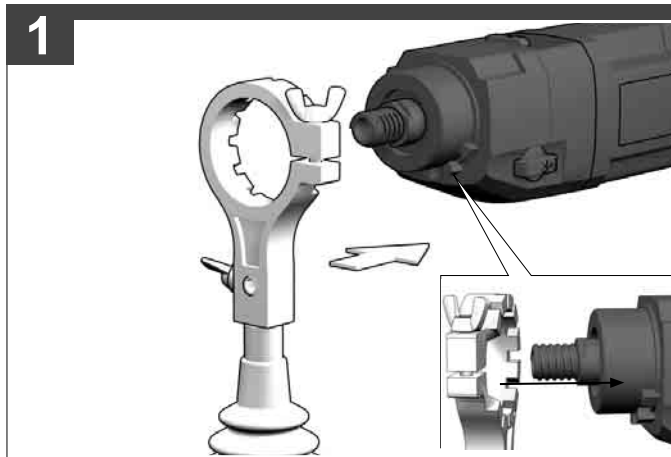
Оригінал інструкції з експлуатації

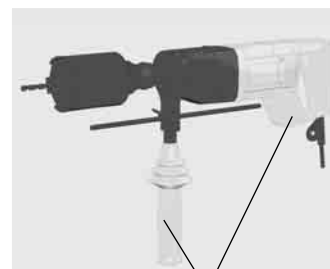
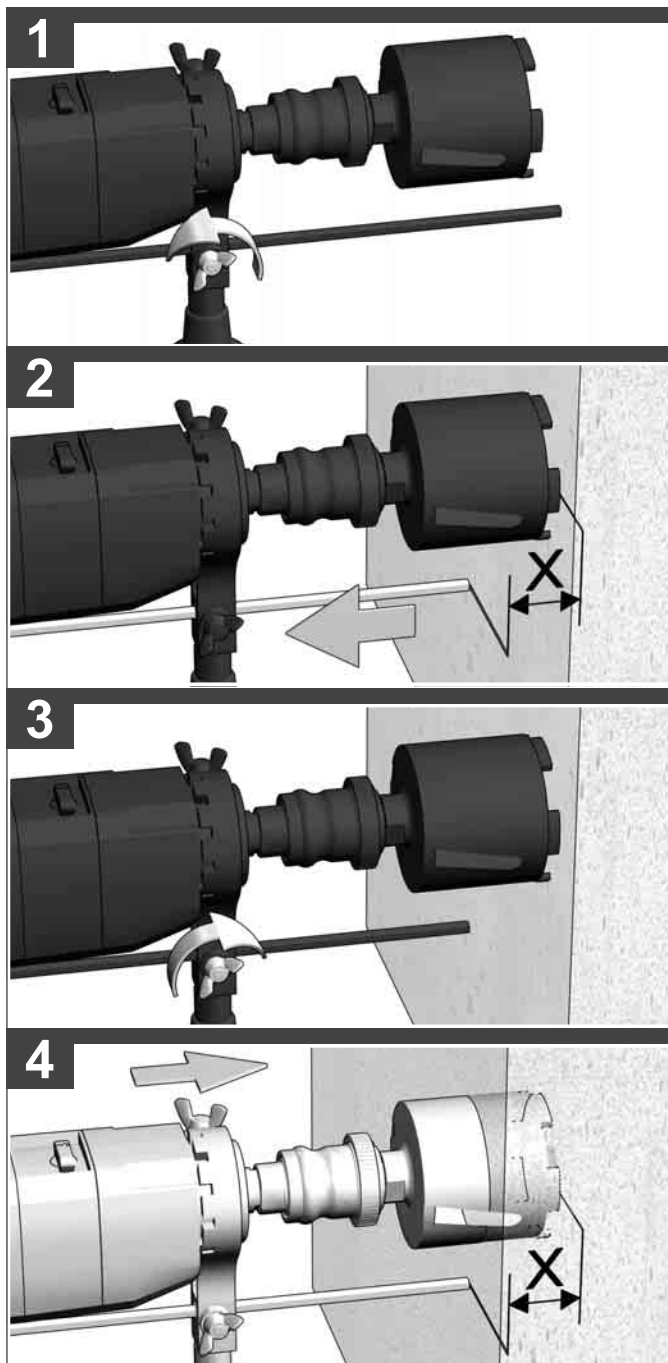
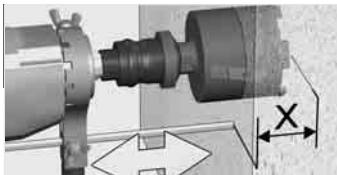
التعليمات الأصلية

ENGLISH		Picture section with operating description and functional description	4
DEUTSCH		Bildteil mit Anwendungs- und Funktionsbeschreibungen	4
FRANÇAIS		Partie imagée avec description des applications et des fonctions	4
ITALIANO		Sezione illustrata con descrizione dell'applicazione e delle funzioni	4
ESPAÑOL		Sección de ilustraciones con descripción de aplicación y descripción funcional	4
PORTUGUES		Parte com imagens explicativas contendo descrição operacional e funcional	4
NEDERLANDS		Beeldgedeelte met toepassings- en functiebeschrijvingen	4
DANSK		Billedel med anvendelses- og funktionsbeskrivelser	4
NORSK		Bilddel med bruks- og funksjonsbeskrivelse	4
SVENSKA		Bilddel med användnings- och funktionsbeskrivning	4
SUOMI		Kuvasivut käyttö- ja toimintakuvaukset	4
ΕΛΛΗΝΙΚΑ		Τμήμα εικόνων με περιγραφές χρήσης και λειτουργίας	4
TÜRKÇE		Resim bölümü Uygulama ve fonksiyon açıklamaları ile birlikte	4
ČESKY		Obrazová část s popisem aplikací a funkcí	4
SLOVENSKY		Obrazová část s popisom aplikácií a funkcií	4
POLSKI		Część rysunkowa z opisami zastosowania i działania	4
MAGYAR		Képes részalkalmazási- és működési leírással	4
SLOVENSKO		Del slike z opisom uporabe in funkcij	4
HRVATSKI		Dio sa slikom sa opisima primjene i funkcija	4
LATVISKI		Attēla daļa ar lietošanas un funkciju aprakstiem	4
LIETUVIŠKAI		Paveikslėlio dalis su vartojimo instrukcija ir funkcijų aprašymais	4
EESTI		Pildiosa kasutusjuhendi ja funktsioonide kirjeldusega	4
РУССКИЙ		Раздел иллюстраций с описанием эксплуатации и функций	4
БЪЛГАРСКИ		Част със снимки с описания за приложение и функции	4
ROMÂNIA		Secvența de imagine cu descrierea utilizării și a funcționării	4
МАКЕДОНСКИ		Дел со слики со описи за употреба и функционирање	4
УКРАЇНСЬКА		Частина з зображеннями з описом робіт та функцій	4
عربي		قسم الصور يوجد به الوصف التشغيلي والوظيفي	4

Text section with Technical Data, important Safety and Working Hints and description of Symbols	16
Textteil mit Technischen Daten, wichtigen Sicherheits- und Arbeitshinweisen und Erklärung der Symbole.	19
Partie textuelle avec les données techniques, les consignes importantes de sécurité et de travail ainsi que l'explication des pictogrammes.	22
Sezione testo con dati tecnici, importanti informazioni sulla sicurezza e sull'utilizzo, spiegazione dei simboli.	25
Sección de texto con datos técnicos, indicaciones importantes de seguridad y trabajo y explicación de los símbolos.	28
Parte com texto explicativo contendo Especificações técnicas, Avisos de segurança e de operação e a Descrição dos símbolos.	31
Tekstgedeelte met technische gegevens, belangrijke veiligheids- en arbeidsinstructies en verklaring van de symbolen.	34
Tekstdel med tekniske data, vigtige sikkerheds- og arbejdsanvisninger og symbolforklaring.	37
Tekstdel med tekniske data, viktige sikkerhets- og arbeidsinstruksjoner og forklaring av symbolene.	40
Textdel med tekniska informationer, viktiga säkerhets- och användningsinstruktioner samt symbolförklaringar.	43
Tekstisivut: tekniset tiedot, tärkeät turvallisuus- ja työskentelyohjeet sekä merkien selitykset.	46
Τμήμα κειμένου με τεχνικά χαρακτηριστικά, σημαντικές υποδείξεις ασφαλείας και εργασίας και εξήγηση των συμβόλων.	49
Teknik bilgileri, önemli güvenlik ve çalışma açıklamalarını ve de sembollerin açıklamalarını içeren metin bölümü.	52
Textová část s technickými daty, důležitými bezpečnostními a pracovními pokyny a s vysvětlivkami symbolů	55
Textová časť s technickými dátami, dôležitými bezpečnostnými a pracovnými pokynmi a s vysvetlivkami symbolov	58
Część opisowa z danymi technicznymi, ważnymi wskazówkami dotyczącymi bezpieczeństwa i pracy oraz objaśnieniami symboli.	61
Szöveges rész műszaki adatokkal, fontos biztonsági- és munkavégzési útmutatásokkal, valamint a szimbólumok magyarázata.	64
Del besedila s tehničnimi podatki, pomembnimi varnostnimi opozorili in delovnimi navodili in pojasnili simbolov.	67
Dio štiva sa tehničkim podacima, važnim sigurnosnim i radnim uputama i objašnjenjem simbola.	70
Teksta daļa ar tehnikajiem parametriem, svarīgiem drošības un darbības norādījumiem, simbolu atšifrējumiem.	73
Teksto dalis su techniniais duomenimis, svarbiomis saugumo ir darbo instrukcijomis bei simbolių paaiškinimais.	76
Tekstiosa tehniliste näitajate, oluliste ohutus- ja tööjuhenditega ning sümbolite kirjeldustega.	79
Текстовый раздел, включающий технические данные, важные рекомендации по безопасности и эксплуатации, а также описание используемых символов.	82
Част с текст с технически данни, важни указания за безопасност и работа и разяснение на символите.	85
Porțiune de text cu date tehnice, indicații importante privind siguranța și modul de lucru și descrierea simbolurilor.	88
Tekstuален дел со Технички карактеристики, важни безбедносни и работни упатства и објаснување на симболите.	91
Текстова частина з техничними даними, важливими вказівками з техніки безпеки та експлуатації і поясненням символів.	94
القسم النصي المزود بالبيانات الفنية والنصائح الهامة للسلامة والعمل ووصف الرموز	99

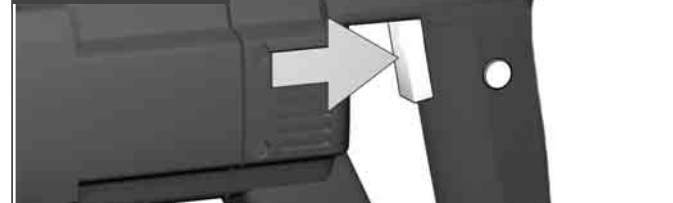




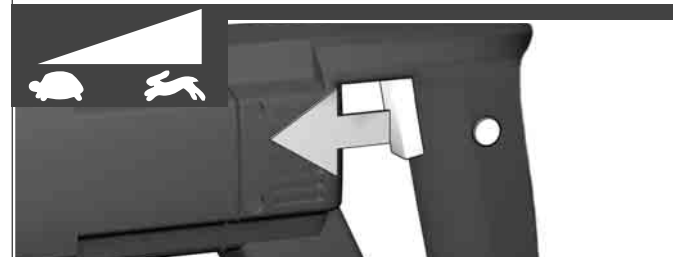
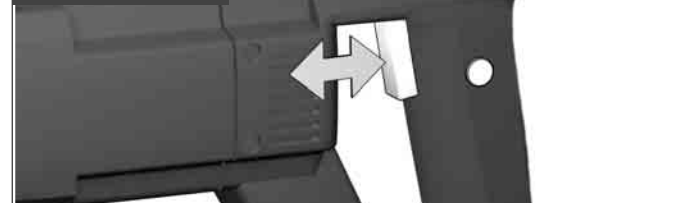


- Handle (insulated gripping surface)
 Handgriff (isolierte Grifffläche)
 Poignée (surface de prise isolée)
 Impugnatura (superficie di presa isolata)
 Empuñadura (superficie de agarre con aislamiento)
 Manípulo (superficie de pega isolada)
 Handgriep (geïsoleerd)
 Håndtag (isolerede gribeblader)
 Håndtak (isolert gripeflate)
 Handtag (isolerad greppyta)
 Kahva (eristetty tarttumapinta)
 Χειρολαβή (μονωμένη επιφάνεια λαβής)
 El külpu (isolasyonlu tutma yüzeyi)
 Rukojeť (izolovaná uchopovací plocha)
 Rukováť (izolovaná úchopná plocha)
 Uchwyt (z izolowaną powierzchnią)
 Fogantyú (szigetelt fogófelület)
 Ročaj (izolirana prijemalna površina)
 Rukohvat (izolirana površina za držanje)
 Rokturis (izolēta satveršanas virsma)
 Rankena (izoliuotas rankenos paviršius)
 Käepide (isoleeritud pideme piirkond)
 Рукятка (изолированная поверхность ручки)
 Ръкохватка (изолирана повърхност за хващане)
 Mâner (suprafață de prindere izolată)
 Дршка (изолирана површина)
 Ручка (ізолювана поверхня ручки)
 المقبض (مساحة المقبض معزولة)

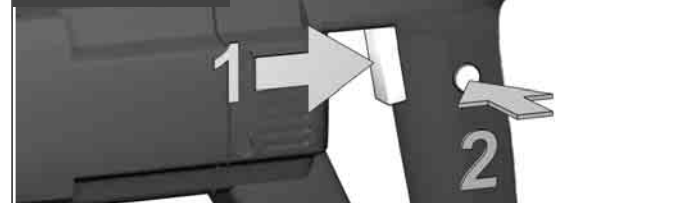
START



STOP

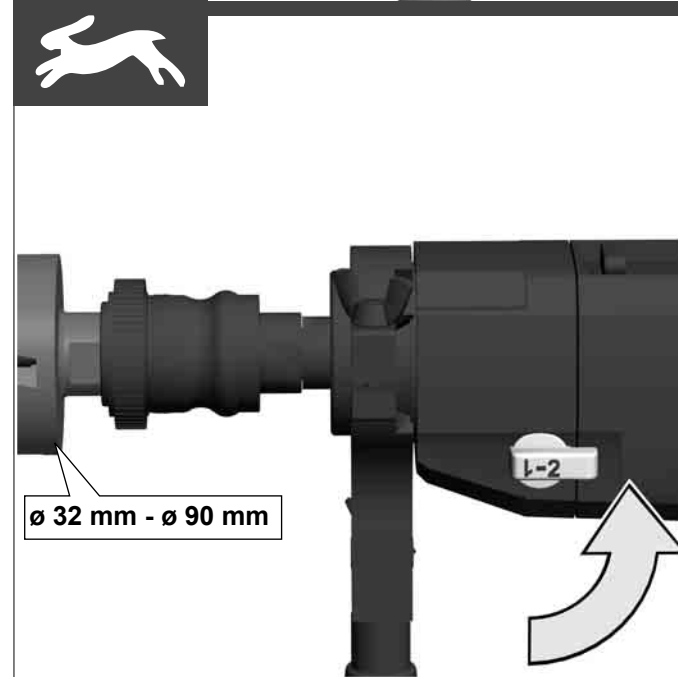
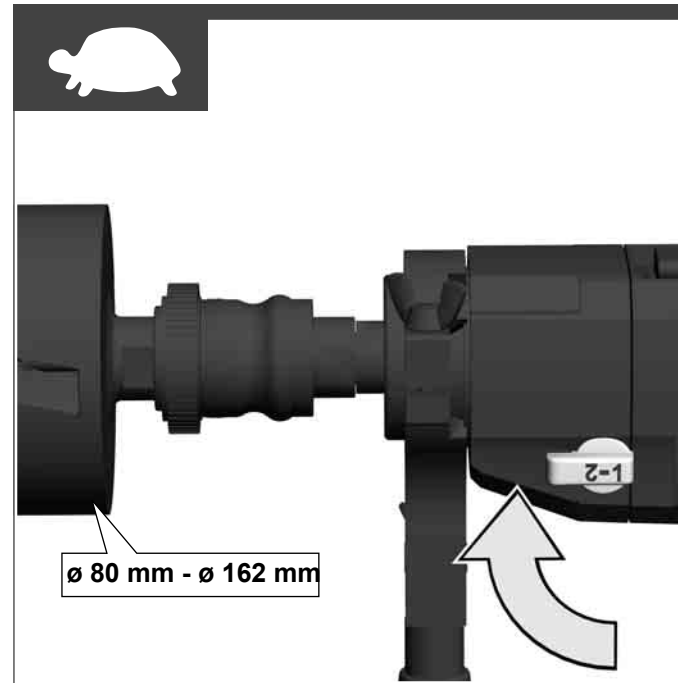
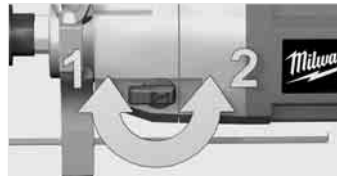
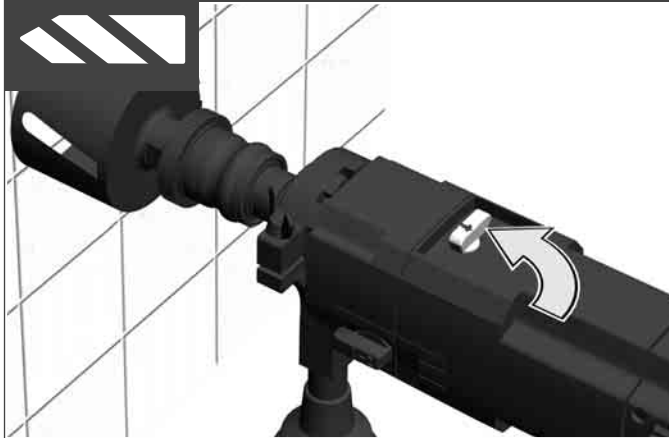
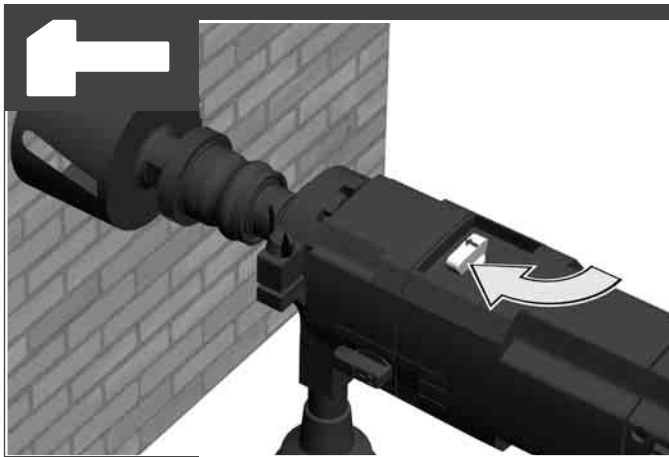
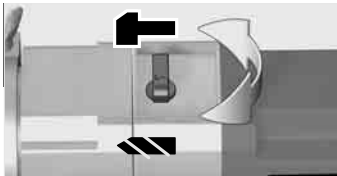


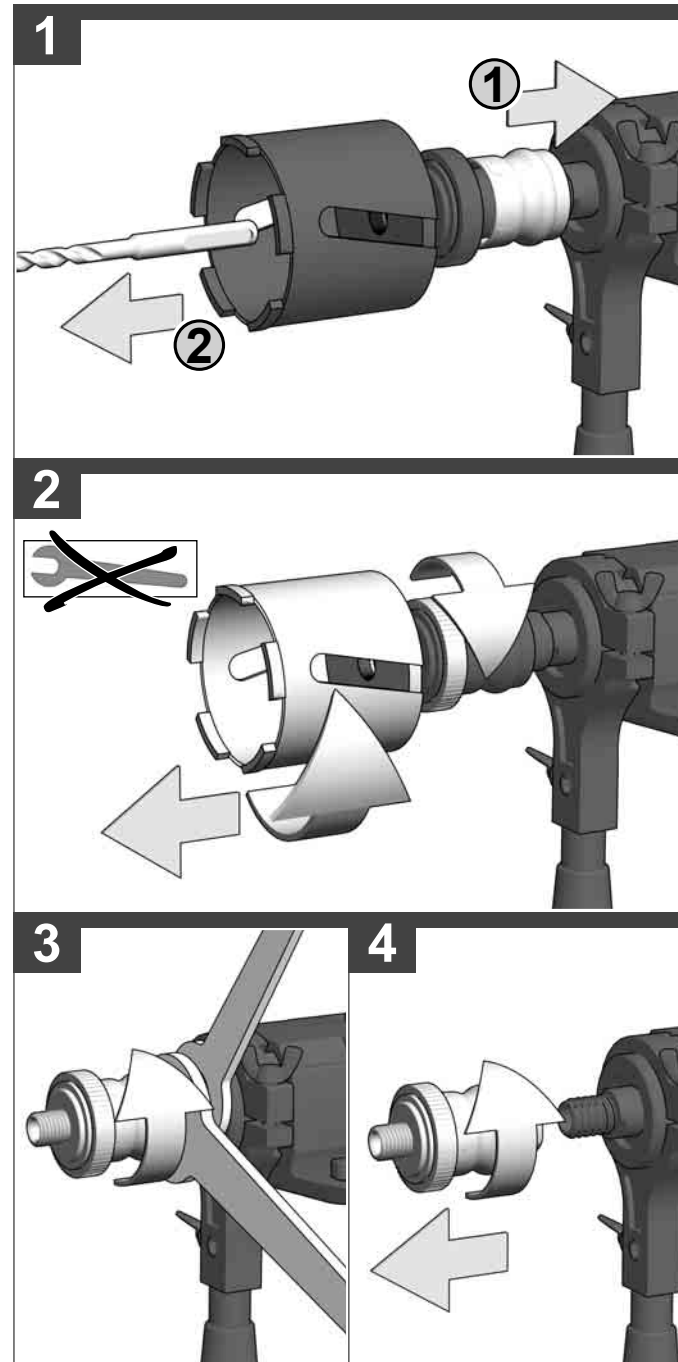
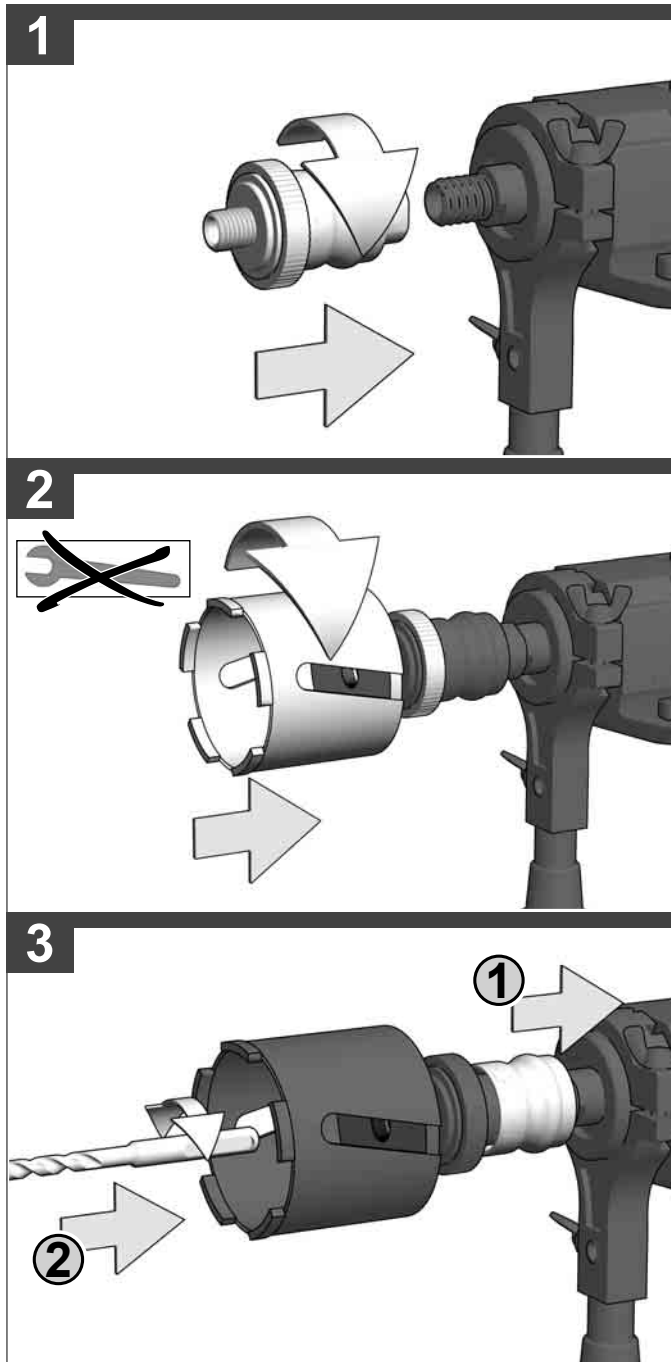
START

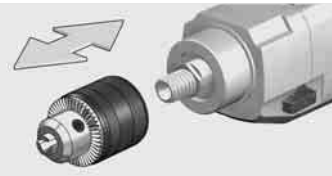


STOP





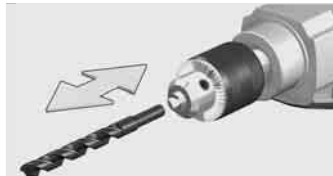
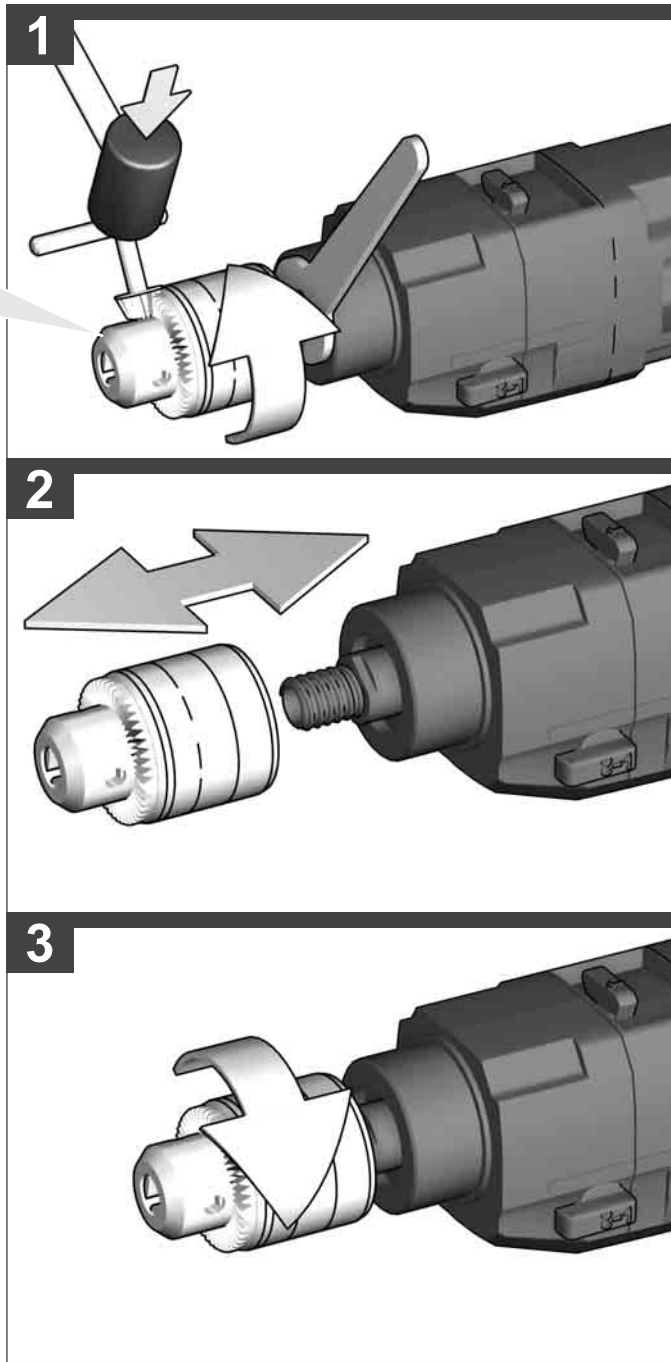




Accessories
Zubehör
Accessoires
Accessori

Accesorios
Acessórios
Extra toebehoren
Tilbehør
Tilbehør
Tilbehör
Lisälaitteet
Εξαρτήματα
Aksesuar
Přislušenství
Príslušenstvo
Wyposażenie dodatkowe
Külön tartozék
Oprema
Oprema
Piederumi
Priedas
Tarvikud
Дополнительные принадлежности
Акcesoари
Accesorii
Додатоци
Комплектуочи

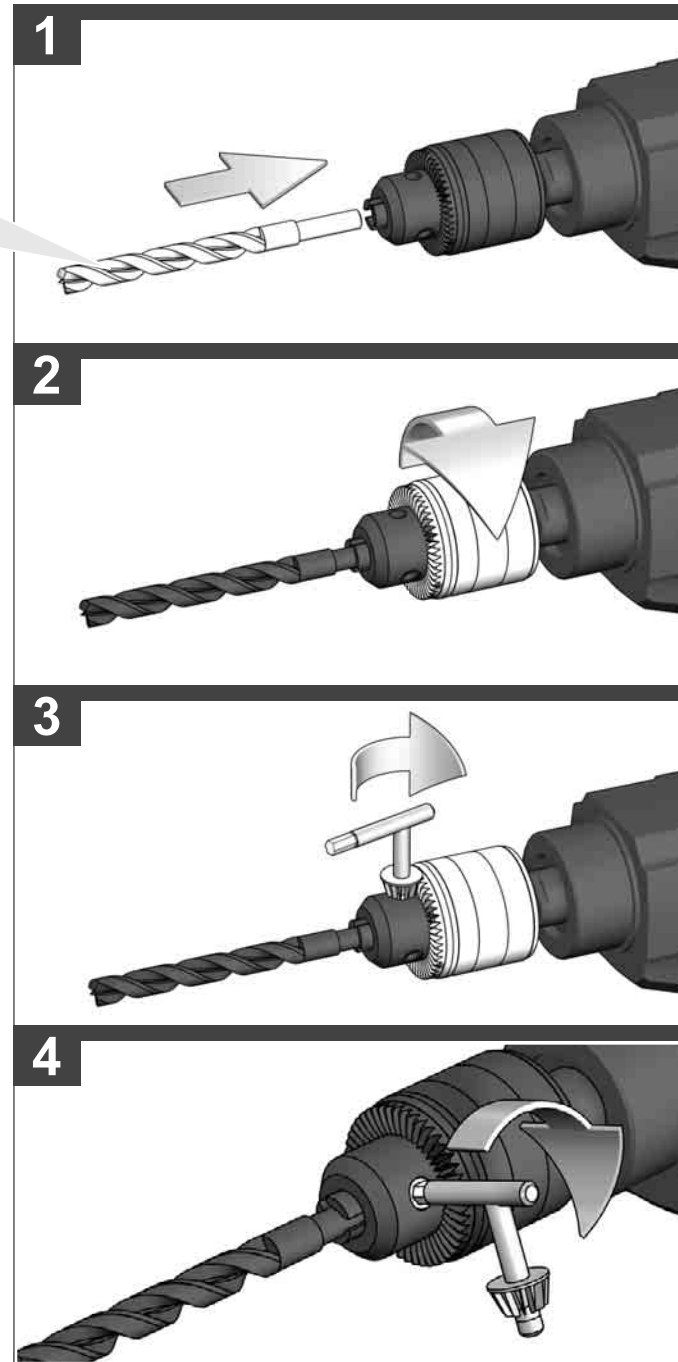
الملحقات



Accessories
Zubehör
Accessoires
Accessori

Accesorios
Acessórios
Extra toebehoren
Tilbehør
Tilbehør
Lisälaitteet
Εξαρτήματα
Aksesuar
Přislušenství
Príslušenstvo
Wyposażenie dodatkowe
Külön tartozék
Oprema
Oprema
Piederumi
Priedas
Tarvikud
Дополнительные принадлежности
Акcesoари
Accesorii
Додатоци
Комплектуочи

الملحقات



TECHNICAL DATA **DIAMOND DRILL** **DD2-160 XE (220-240V)**

Production code.....	3686 91 05... ...000001-999999
Rated input.....	1500 W
Output.....	820 W
No-load speed, 1st gear.....	0-1500 min ⁻¹
No-load speed, 2nd gear.....	0-3000 min ⁻¹
Speed under load max., 1st gear.....	890 min ⁻¹
Speed under load max., 2nd gear.....	1770 min ⁻¹
Percussion rate max.....	48000 min ⁻¹
Drilling capacity, 1st gear.....	80-162 mm
Drilling capacity, 2nd gear.....	32-90 mm
Drive shank.....	M18
Chuck neck diameter.....	57 mm
Weight according EPTA-Procedure 01/2014.....	4,2 kg

Noise information

Measured values determined according to EN 62841.

Typically, the A-weighted noise levels of the tool are:

Sound pressure level (Uncertainty K=3dB(A)) 100 dB (A)

Sound power level (Uncertainty K=3dB(A))..... 111 dB (A)

Wear ear protectors!**Vibration information**

Vibration total values (triaxial vector sum) determined

according to EN 62841

Vibration emission value a_h

Drilling into metal..... 2,3 m/s²

Uncertainty K=..... 1,5 m/s²

Impact drilling into concrete..... 18,3 m/s²

Uncertainty K=..... 1,5 m/s²

Impact drilling into concrete with dry diamond core cutter..... 14,8 m/s²

Uncertainty K=..... 1,5 m/s²

WARNING

The vibration and noise emission level given in this information sheet has been measured in accordance with a standardized test given in EN 62841 and may be used to compare one tool with another. It may be used for a preliminary assessment of exposure.

The declared vibration and noise emission level represents the main applications of the tool. However if the tool is used for different applications, with different accessories or poorly maintained, the vibration and noise emission may differ. This may significantly increase the exposure level over the total working period.

An estimation of the level of exposure to vibration and noise should also take into account the times when the tool is switched off or when it is running but not actually doing the job. This may significantly reduce the exposure level over the total working period.

Identify additional safety measures to protect the operator from the effects of vibration and/or noise such as: maintain the tool and the accessories, keep the hands warm, organization of work patterns.

⚠ WARNING Read all safety warnings, instructions, illustrations and specifications provided with this power tool. Failure to follow all instructions listed below may result in electric shock, fire and/or serious injury. **Save all warnings and instructions for future reference.**

⚠ DIAMOND DRILL SAFETY WARNINGS**Safety instructions for all operations**

Hold the power tool by insulated gripping surfaces, when performing an operation where the cutting accessory or fasteners may contact hidden wiring or its own cord.

Cutting accessory or fasteners contacting a "live" wire may make exposed metal parts of the power tool "live" and could give the operator an electric shock.

Use auxiliary handle(s), if supplied with the tool. Loss of control can cause personal injury.

Brace the tool properly before use. This tool produces a high output torque and without properly bracing the tool during operation, loss of control may occur resulting in personal injury.

Safety instructions when using long drill bits

Never operate at higher speed than the maximum speed rated of the drill bit. At higher speeds, the bit is likely to bend if allowed to rotate freely without contacting the workpiece, resulting the personal injury.

Always start drilling at low speed and with the bit tip in contact with the workpiece. At higher speeds, the bit is likely to bend if allowed to rotate freely without contacting the workpiece, resulting the personal injury.

Apply pressure only in direct line with the bit and do not apply excessive pressure. Bits can bend causing breakage or loss of control, resulting in personal injury.

ADDITIONAL SAFETY AND WORKING INSTRUCTIONS

The built-in friction clutch only reacts to jerky locking, which is why you should always use the additional handle.

Use protective equipment. Always wear safety glasses when working with the machine. The use of protective clothing is recommended, such as dust mask, protective gloves, sturdy non-slip footwear, helmet and ear defenders.

The dust produced when using this tool may be harmful to health. Do not inhale the dust. Wear a suitable dust protection mask.

Do not machine any materials that present a danger to health (e.g. asbestos).

Switch the device off immediately if the insertion tool stalls! Do not switch the device on again while the insertion tool is stalled, as doing so could trigger a sudden recoil with a high reactive force. Determine why the insertion tool stalled and rectify this, paying heed to the safety instructions.

The possible causes may be:

- it is tilted in the workpiece to be machined
- it has pierced through the material to be machined
- the power tool is overloaded

Do not reach into the machine while it is running.

The insertion tool may become hot during use.

WARNING! Danger of burns

- when changing tools
- when setting the device down

Chips and splinters must not be removed while the machine is running.

Keep mains lead clear from working range of the machine. Always lead the cable away behind you.

When working in walls ceiling, or floor, take care to avoid electric cables and gas or waterpipes.

Clamp your workpiece with a clamping device. Unclamped workpieces can cause severe injury and damage.

Always disconnect the plug from the socket before carrying out any work on the machine.

When working with large drill diameters, the auxiliary handle must be fastened in a right angle with the main handle (see illustrations, section "Twisting the handle").

SPECIFIED CONDITIONS OF USE

The diamond drill can be used to drill with diamond dry drill bits. With drill chuck mounted the machine is suitable for percussive drilling in rock and drilling holes in wood and steel. The machine is not suitable for wet drilling in concrete.

Do not use this product in any other way as stated for normal use.

EC-DECLARATION OF CONFORMITY

We declare as the manufacturer under our sole responsibility that the product described under "Technical Data" fulfills all the relevant regulations and the directives 2011/65/EU (RoHS), 2014/30/EU, 2006/42/EC, and the following harmonized standards have been used:

EN 62841-1:2015
EN 62841-2-1:2018+A11:2019
EN 55014-1:2017+A11:2020
EN 55014-2:2015
EN 61000-3-2:2014
EN 61000-3-3:2013
EN IEC 63000:2018

Winnenden, 2021-01-20



Alexander Krug
Managing Director

Authorized to compile the technical file

Techtronic Industries GmbH
Max-Eyth-Straße 10
71364 Winnenden
Germany

**GB-DECLARATION OF CONFORMITY**

We declare as the manufacturer under our sole responsibility that the product described under "Technical Data" fulfills all the relevant provisions of the following Regulations S.I. 2008/1597 (as amended), S.I. 2016/1091 (as amended), S.I. 2012/3032 (as amended) and that the following designated standards have been used:

BS EN 62841-1:2015
BS EN 62841-2-1:2018+A11:2019
BS EN 55014-1:2017+A11:2020
BS EN 55014-2:2015
BS EN 61000-3-2:2014
BS EN 61000-3-3:2013
BS EN IEC 63000:2018

Winnenden, 2021-01-20



Alexander Krug
Managing Director

Authorized to compile the technical file.

Techtronic Industries GmbH
Max-Eyth-Straße 10
71364 Winnenden
Germany

MAINS CONNECTION

Appliances used at many different locations including wet room and open air must be connected via a residual current device (FI, RCD, PRCD) of 30mA or less.

Connect only to single-phase AC current and only to the system voltage indicated on the rating plate. It is also possible to connect to sockets without an earthing contact as the design conforms to safety class II.

Make sure the machine is switched off before plugging in.

STARTUP PROTECTION

A zero-voltage switch prevents the machine from restarting after a power failure. On resuming work, switch the machine off and then back on again.

PROTECTION OF MOTOR IN CASE OF OVERLOAD

Motor protection device controlled by motor load. The machine will slowly continue to run in order to cool the motor down. After sufficient cooling machine can be restarted by switching off and on again.

SOFT PERCUSSION

Depending on the material that is to be machined, soft percussion may result in a sharp reduction in drilling time or a longer tool life for the diamond segments.

WORKING INSTRUCTIONS

To gain a better drill progress take out the centre bit after having reached a depth of about 10-15 mm. Insert core cutter into the existing groove and let machine run up smoothly.

Bore-holes which don't have to be applied exactly can be drilled without a centre bit. For that purpose apply the core cutter slantingly and put the machine slowly straight when a depth of about 5 mm has been reached. (This is only possible when using short core cutters!)

If drill cores should come loose, take core cutter from the material and remove drill cores.

For best performance the diamond segments should be "roughed-up" to expose the fragments of diamond: To expose the diamond fragments rub surface of segments with stone

MAINTENANCE

The ventilation slots of the machine must be kept clear at all times.

If the machine is mainly used for percussion drilling, regularly remove collected dust from the chuck. To remove the dust hold the machine with the chuck facing down vertically, and completely open and close the chuck. The collected dust will fall from the chuck.

It is recommended to regularly use cleaner for the clamping jaws and the clamping jaw borings.

If the supply cord of this appliance is damaged, it must only be replaced by a repair shop appointed by the manufacturer, to avoid hazardous situations.

Use only Milwaukee accessories and spare parts. Should components need to be replaced which have not been described, please contact one of our Milwaukee service agents (see our list of guarantee/service addresses).

If needed, an exploded view of the tool can be ordered. Please state the Article No. as well as the machine type printed on the label and order the drawing at your local service agent or directly at: Techtronic Industries GmbH, Max-Eyth-Straße 10, 71364 Winnenden, Germany.

SYMBOLS

	CAUTION! WARNING! DANGER!
	Always disconnect the plug from the socket before carrying out any work on the machine.
	Please read the instructions carefully before starting the machine.
	Accessory - Not included in standard equipment, available as an accessory.
	Do not dispose of waste electrical and electronic equipment as unsorted municipal waste. Waste electrical and electronic equipment must be collected separately. Waste light sources have to be removed from equipment. Check with your local authority or retailer for recycling advice and collection point. According to local regulations retailers may have an obligation to take back waste electrical and electronic equipment free of charge. Your contribution to re-use and recycling of waste electrical and electronic equipment helps to reduce the demand of raw materials. Waste electrical and electronic equipment contain valuable, recyclable materials, which can adversely impact the environment and the human health, if not disposed of in an environmentally compatible manner. Delete personal data from waste equipment, if any.
	Class II tool. Tool in which protection against electric shock does not rely on basic insulation only, but in which additional safety precautions, such as double insulation or reinforced insulation, are provided. There being no provision for protective earthing or reliance upon installation conditions.
	No-load speed
	Volts
	AC Current
	European Conformity Mark
	British Conformity Mark
	Regulatory Compliance Mark (RCM). Product meets applicable regulatory requirements.
	Ukraine Conformity Mark
	EurAsian Conformity Mark

TECHNISCHE DATEN DIAMANTBOHRMASCHINE DD2-160 XE (220-240V)

Produktionsnummer	3686 91 05... ...000001-999999
Nennaufnahmeleistung.....	1500 W
Abgabeleistung.....	820 W
Leerlaufdrehzahl im 1. Gang.....	0-1500 min ⁻¹
Leerlaufdrehzahl im 2. Gang.....	0-3000 min ⁻¹
Lastdrehzahl max. im 1. Gang.....	890 min ⁻¹
Lastdrehzahl max. im 2. Gang.....	1770 min ⁻¹
Leerlaufschlagzahl max.....	48000 min ⁻¹
Bohr-ø im 1. Gang.....	80-162 mm
Bohr-ø im 2. Gang.....	32-90 mm
Bohrspindel.....	M18
Spannhals-ø.....	57 mm
Gewicht nach EPTA-Prozedur 01/2014.....	4,2 kg

Geräuschinformationen

Messwerte ermittelt entsprechend EN 62841. Der A-bewertete Geräuschpegel des Gerätes beträgt typischerweise:

Schalldruckpegel (Unsicherheit K=3dB(A))	100 dB (A)
Schalleistungspegel (Unsicherheit K=3dB(A)).....	111 dB (A)

Gehörschutz tragen!

Vibrationsinformationen

Schwingungsgesamtwerte (Vektorsumme dreier Richtungen) ermittelt entsprechend EN 62841:

Schwingungsemissionswert a _v :	
Bohren in Metall.....	2,3 m/s ²
Unsicherheit K =	1,5 m/s ²
Schlagbohren in Beton:	18,3 m/s ²
Unsicherheit K =	1,5 m/s ²
Schlagbohren in Beton mit Diamantbohrkrone:.....	14,8 m/s ²
Unsicherheit K =	1,5 m/s ²

WARNUNG

Die angegebenen Schwingungsgesamtwerte und Geräuschemissionswerte wurden nach einem genormten Messverfahren gemäß EN 62841 gemessen und können für den Vergleich von Elektrowerkzeugen miteinander verwendet werden. Es kann für eine vorläufige Einschätzung der Belastung verwendet werden.

Der angegebene Schwingungs- und Geräuschemissionspegel repräsentiert die hauptsächlichen Anwendungen des Elektrowerkzeugs. Wenn allerdings das Elektrowerkzeug für andere Anwendungen, mit abweichenden Einsatzwerkzeugen oder ungenügender Wartung eingesetzt wird, können sich die Schwingungs- und Geräuschemissionen unterscheiden. Dies kann deren Wirkung über den gesamten Arbeitszeitraum deutlich erhöhen.

Bei der Abschätzung der Belastung durch Schwingungen und Lärm sollten auch die Zeiten berücksichtigt werden, in denen das Elektrowerkzeug ausgeschaltet ist oder zwar läuft, aber keine tatsächliche Arbeit verrichtet wird. Dies kann deren Wirkung über den gesamten Arbeitszeitraum deutlich reduzieren.

Legen Sie zusätzliche Sicherheitsmaßnahmen zum Schutz des Bedieners vor den Auswirkungen von Schwingungen- und / oder Lärm fest, wie z. B.: Wartung des Werkzeugs und des Zubehörs, Warmhalten der Hände, Organisation der Arbeitsabläufe.

⚠️ WARNUNG! Lesen Sie alle Sicherheitshinweise, Anweisungen, Darstellungen und Spezifikationen für dieses Elektrowerkzeug. Versäumnisse bei der Einhaltung der nachstehenden Anweisungen können elektrischen Schlag, Brand und/oder schwere Verletzungen verursachen. **Bewahren Sie alle Sicherheitshinweise und Anweisungen für die Zukunft auf.**

⚠️ SICHERHEITSHINWEISE FÜR DIAMANTBOHRMASCHINE

Sicherheitshinweise für alle Arbeiten

Halten Sie das Gerät an den isolierten Griffflächen, wenn Sie Arbeiten ausführen, bei denen das Einsatzwerkzeug oder die Schraube verborgene Stromleitungen oder das eigene Netzkabel treffen kann. Der Kontakt des Einsatzwerkzeugs oder der Schraube mit einer spannungsführenden Leitung kann auch metallene Geräteteile unter Spannung setzen und zu einem elektrischen Schlag führen.

Benutzen Sie die mit dem Gerät gelieferten Zusatzhandgriffe, wenn diese mitgeliefert werden. Der Verlust der Kontrolle kann zu Verletzungen führen.

Halten Sie das Gerät vor Arbeitsbeginn am dafür vorgesehenen Griff gut fest. Dieses Gerät erzeugt ein hohes Abtriebsdrehmoment und wenn Sie es während des Betriebs nicht gut festhalten, könnten Sie die Kontrolle darüber verlieren und sich verletzen.

Sicherheitshinweise für die Verwendung von langen Bohrern

Verwenden Sie niemals eine höhere Drehzahl als die maximale Drehzahl, die für den Bohreinsatz angegeben ist. Bei höheren Drehzahlen kann sich der Bohreinsatz verbiegen, wenn er ohne Kontakt zum Werkstück dreht, was zu Verletzungen führen kann.

Starten Sie immer mit einer niedrigen Drehzahl und während sich der Bohreinsatz in Kontakt mit dem Werkstück befindet. Bei höheren Drehzahlen kann sich der Bohreinsatz verbiegen, wenn er ohne Kontakt zum Werkstück dreht, was zu Verletzungen führen kann.

Üben Sie Druck immer nur in direkter Ausrichtung zum Bohreinsatz aus und drücken Sie nicht zu fest. Bohreinsätze können verbiegen und brechen oder zu einem Verlust der Kontrolle über das Gerät führen, wodurch es wiederum zu Verletzungen kommen kann.

WEITERE SICHERHEITS- UND ARBEITSHINWEISE

Die eingebaute Rutschkupplung spricht nur bei ruckartigem Blockieren an, deshalb Zusatzhandgriff immer benutzen.

Schutzausrüstung verwenden. Beim Arbeiten mit der Maschine stets Schutzbrille tragen. Schutzkleidung wie Staubschutzmaske, Schutzhandschuhe, festes und rutschsicheres Schuhwerk, Helm und Gehörschutz werden empfohlen.

Beim Arbeiten entstehender Staub ist oft gesundheitsschädlich und sollte nicht in den Körper gelangen. Geeignete Staubschutzmaske tragen.

Es dürfen keine Materialien bearbeitet werden, von denen eine Gesundheitsgefährdung ausgeht (z.B. Asbest).

Beim Blockieren des Einsatzwerkzeuges bitte das Gerät sofort ausschalten! Schalten Sie das Gerät nicht wieder ein, solange das Einsatzwerkzeug blockiert ist; hierbei könnte ein Rückschlag mit hohem Reaktionsmoment entstehen. Ermitteln und beheben Sie die Ursache für die Blockierung des Einsatzwerkzeuges unter Berücksichtigung der Sicherheitshinweise.

Mögliche Ursachen dafür können sein:

- Verkanten im zu bearbeitenden Werkstück
- Durchbrechen des zu bearbeitenden Materials
- Überlasten des Elektrowerkzeuges

Greifen Sie nicht in die laufende Maschine.

Das Einsatzwerkzeug kann während der Anwendung heiß werden.

WARNUNG! Verbrennungsgefahr

- bei Werkzeugwechsel
- bei Ablegen des Gerätes

Späne oder Splitter dürfen bei laufender Maschine nicht entfernt werden.

Anschlusskabel stets vom Wirkungsbereich der Maschine fernhalten. Kabel immer nach hinten von der Maschine wegführen.

Beim Arbeiten in Wand, Decke oder Fußboden auf elektrische Kabel, Gas- und Wasserleitungen achten.

Sichern Sie Ihr Werkstück mit einer Spannvorrichtung. Nicht gesicherte Werkstücke können schwere Verletzungen und Beschädigungen verursachen.

Vor allen Arbeiten an der Maschine Stecker aus der Steckdose ziehen.

Bei großen Bohrdurchmessern muss der Zusatzhandgriff rechtwinklig zum Haupthandgriff befestigt werden (siehe auch im Bildteil, Abschnitt "Handgriff verdrehen").

BESTIMMUNGSGEMÄSSE VERWENDUNG

Die Diamantbohrmaschine ist einsetzbar zum Bohren mit Diamant-Trockenbohrkronen. Mit aufgesetztem Bohrfutter ist die Maschine geeignet zum Schlagbohren in Gestein und zum Bohren in Holz und Stahl. Die Maschine ist nicht geeignet zum Nassbohren in Beton.

Dieses Gerät darf nur wie angegeben bestimmungsgemäß verwendet werden.

EG-KONFORMITÄTSERKLÄRUNG

Wir erklären als Hersteller in alleiniger Verantwortung, dass das unter „Technische Daten“ beschriebene Produkt mit allen relevanten Vorschriften der Richtlinien 2011/65/EU (RoHS), 2014/30/EU, 2006/42/EG und den folgenden harmonisierten normativen Dokumenten übereinstimmt:

EN 62841-1:2015
EN 62841-2-1:2018+A11:2019
EN 55014-1:2017+A11:2020
EN 55014-2:2015
EN 61000-3-2:2014
EN 61000-3-3:2013
EN IEC 63000:2018

Winnenden, 2021-01-20



Alexander Krug
Managing Director



Bevollmächtigt die technischen Unterlagen zusammenzustellen

Techtronic Industries GmbH
Max-Eyth-Straße 10
71364 Winnenden
Germany

NETZANSCHLUSS

Steckdosen in Feuchträumen und Außenbereichen müssen mit Fehlerstrom-Schutzschaltern (FI, RCD, PRCD) ausgerüstet sein. Das verlangt die Installationsvorschrift für Ihre Elektroanlage. Bitte beachten Sie das bei der Verwendung unseres Gerätes.

Nur an Einphasen-Wechselstrom und nur an die auf dem Leistungsschild angegebene Netzspannung anschließen. Anschluss ist auch an Steckdosen ohne Schutzkontakt möglich, da ein Aufbau der Schutzklasse II vorliegt.

Gerät nur ausgeschaltet an die Steckdose anschließen.

WIEDERANLAUFSCHTZ

Ein Nullspannungsschalter verhindert ein Wiederanlaufen der Maschine nach einem Stromausfall. Bei erneuter Arbeitsaufnahme Maschine ausschalten und wieder einschalten.

BELASTUNGSABHÄNGIGER MOTORSCHUTZ

Bei hoher Motorüberlastung wird der Überlastschutz ausgelöst. Die Maschine läuft langsam weiter zum Kühlen der Motorwicklung. Erst nach ausreichender Kühlung ist ein Einschalten der Maschine möglich, hierzu Maschine aus- und wieder einschalten.

SOFTSCHLAG

Abhängig vom zu bearbeitenden Werkstoff, kann der Softschlag eine deutliche Reduzierung der Bohrzeit oder eine längere Standzeit der Diamantsegmente bewirken.

ARBEITSHINWEISE

Zum Erreichen eines größeren Bohrfortschritts nach ca 10-15 mm Bohrtiefe den Zentrierbohrer herausnehmen, Bohrkronen in vorhandene Rille einsetzen und Maschine langsam anlaufen lassen.

Bohrungen welche nicht exakt angesetzt werden müssen, können ohne Zentrierbohrer durchgeführt werden. Hierzu die Bohrkronen schräg ansetzen und ab einer Bohrtiefe von ca. 5 mm die Maschine langsam gerade richten. (Nur bei kurzen Bohrkronen möglich).

Sollten sich Bohrkronen lösen, Bohrkronen aus dem Material herausziehen und Bohrkronen entfernen.

Eine geschärfte Bohrkronen erleichtert die Anwendung und den Bohrfortschritt. Schärfmöglichkeiten: In Kalksandstein oder in einer Schärfplatte

WARTUNG

Stets die Lüftungsschlitze der Maschine sauber halten.

Bei häufigem Schlagbohrbetrieb sollte das Bohrfutter regelmäßig von Staub befreit werden. Hierzu die Maschine mit dem Bohrfutter senkrecht nach unten halten und das Bohrfutter über den gesamten Spannungsbereich öffnen und schließen. Der angesammelte Staub fällt so aus dem Bohrfutter.





Die regelmäßige Verwendung von Reinigungsspray an den Spannbacken und Spannbackenbohrungen wird empfohlen.

Wenn die Netzanschlussleitung beschädigt ist, muss diese durch eine Kundendienststelle ausgewechselt werden, um Gefährdungen zu vermeiden.

Nur Milwaukee Zubehör und Ersatzteile verwenden. Bauteile, deren Austausch nicht beschrieben wurde, bei einer Milwaukee Kundendienststelle auswechseln lassen (Broschüre Garantie/Kundendienstadressen beachten).

Bei Bedarf kann eine Explosionszeichnung des Gerätes unter Angabe der Maschinen Type und der sechsstelligen Nummer auf dem Leistungsschild bei Ihrer Kundendienststelle oder direkt bei Techtronic Industries GmbH, Max-Eyth-Straße 10, 71364 Winnenden, Germany angefordert werden.

SYMBOLE

	ACHTUNG! WARNUNG! GEFAHR!
	Vor allen Arbeiten an der Maschine Stecker aus der Steckdose ziehen.
	Bitte lesen Sie die Gebrauchsanweisung vor Inbetriebnahme sorgfältig durch.
	Zubehör - Im Lieferumfang nicht enthalten, empfohlene Ergänzung aus dem Zubehörprogramm.



Elektro- und Elektronik-Altgeräte dürfen nicht zusammen mit dem Hausmüll entsorgt werden.

Elektro- und Elektronik-Altgeräte sind getrennt zu sammeln und zu entsorgen. Entfernen Sie Leuchtmittel vor dem Entsorgen aus den Geräten. Erkundigen Sie sich bei den örtlichen Behörden oder bei Ihrem Fachhändler nach Recyclinghöfen und Sammelstellen.

Je nach den örtlichen Bestimmungen können Einzelhändler verpflichtet sein, Elektro- und Elektronik-Altgeräte kostenlos zurückzunehmen.

Tragen Sie durch Wiederverwendung und Recycling Ihrer Elektro- und Elektronik-Altgeräte dazu bei, den Bedarf an Rohmaterialien zu verringern.

Elektro- und Elektronik-Altgeräte enthalten wertvolle, wiederverwertbare Materialien, die bei nicht umweltgerechter Entsorgung negative Auswirkungen auf die Umwelt und Ihre Gesundheit haben können. Löschen Sie vor der Entsorgung möglicherweise auf Ihrem Altgerät vorhandene personenbezogene Daten.



Elektrowerkzeug der Schutzklasse II. Elektrowerkzeug, bei dem der Schutz vor einem elektrischen Schlag nicht nur von der Basisisolierung abhängt, sondern auch davon, dass zusätzliche Schutzmaßnahmen, wie doppelte Isolierung oder verstärkte Isolierung, angewendet werden. Es gibt keine Vorrichtung zum Anschluss eines Schutzleiters.

n_0

Leerlaufdrehzahl

V

Spannung



Wechselstrom



Europäisches Konformitätszeichen



Britisches Konformitätszeichen



Regulatory Compliance Mark (RCM). Das Produkt erfüllt die geltenden Vorschriften.



Ukrainisches Konformitätszeichen



Euroasiatisches Konformitätszeichen

Numéro de série.....	3686 91 05... ...000001-999999
Puissance nominale de réception.....	1500 W
Puissance utile.....	820 W
Vitesse de rotation à vide 1ère vitesse.....	0-1500 min ⁻¹
Vitesse de rotation à vide 2ème vitesse.....	0-3000 min ⁻¹
Vitesse de rotation en charge 1ère vitesse.....	890 min ⁻¹
Vitesse de rotation en charge 2ème vitesse.....	1770 min ⁻¹
Perçage à percussion max.....	48000 min ⁻¹
Ø de perçage dans 1ère vitesse.....	80-162 mm
Ø de perçage dans 2ème vitesse.....	32-90 mm
Broche de perçage.....	M18
Ø du collier de serrage.....	57 mm
Poids suivant EPTA-Procédure 01/2014.....	4,2 kg

Informations sur le bruit

Valeurs de mesure obtenues conformément à la EN 62841. Les mesures réelles (A) des niveaux acoustiques de l'appareil sont :

Niveau de pression acoustique (Incertitude K=3dB(A)).....	100 dB (A)
Niveau d'intensité acoustique (Incertitude K=3dB(A)).....	111 dB (A)

Toujours porter une protection acoustique!

Informations sur les vibrations

Valeurs totales des vibrations (somme vectorielle de trois sens) établies conformément à EN 62841.

Valeur d'émission vibratoire a _h	
Perçage dans le métal.....	2,3 m/s ²
Incertitude K=.....	1,5 m/s ²
Perçage à percussion dans le béton.....	18,3 m/s ²
Incertitude K=.....	1,5 m/s ²
Perçage à percussion dans le béton avec couronne diamantée.....	14,8 m/s ²
Incertitude K=.....	1,5 m/s ²

AVERTISSEMENT

Le niveau de vibration et d'émissions sonores indiqué dans cette fiche de données a été mesuré en respect d'une méthode standard de test selon la norme EN 62841 et peut être utilisé pour comparer les outils entre eux. Il peut être utilisé pour évaluation préliminaire de l'exposition.

Le niveau de vibration et d'émissions sonores déclaré correspond à l'application principale de l'outil. Cependant, si l'outil est utilisé pour des applications différentes, avec différents accessoires ou est mal entretenu, les vibrations et les émissions sonores peuvent différer. Cela peut augmenter considérablement le niveau d'exposition au cours de la période de travail totale.

Une estimation du niveau d'exposition aux vibrations et au bruit devrait également tenir compte des temps d'arrêt de l'outil ou des périodes où il est en marche mais n'effectue pas réellement le travail. Cela peut réduire considérablement le niveau d'exposition au cours de la période de travail totale.

Identifier des mesures de sécurité supplémentaires pour protéger l'opérateur des effets des vibrations et/ou du bruit tels que : l'entretien de l'outil et des accessoires, le maintien au chaud des mains, l'organisation des processus de travail.

AVERTISSEMENT! Lire tous les avertissements de sécurité, les instructions opérationnelles, les illustrations et les spécifications fournies avec cet outil électrique. La non observance des instructions mentionnées ci-dessous peut causer des chocs électriques, des incendies ou de graves blessures. **Conserver tous les avertissements et toutes les instructions pour pouvoir s'y reporter ultérieurement.**

CONSIGNES DE SÉCURITÉ POUR CAROTTEUSE DIAMANT

Consignes de sécurité à suivre pour tous les types d'applications

Tenir l'outil électrique par les surfaces adhérentes et isolées lorsque l'opération nécessite d'utiliser un accessoire découpant ou une attache pouvant entrer en contact avec un câble non visible ou avec son propre câble d'alimentation. Les accessoires découpant ou les attaches entrant en contact avec un câble « sous tension » peuvent « électriser » les pièces en métal de l'outil et entraîner un choc électrique pour l'opérateur.

Utilisez les poignées supplémentaires livrées en même temps que l'appareil. La perte de contrôle peut mener à des blessures.

Avant tout travail, maintenez fermement l'appareil par la poignée prévue à cet effet. Cet appareil produit un couple de sortie élevé. Si vous ne le maintenez pas correctement lorsqu'il est en cours de fonctionnement, vous pouvez en perdre le contrôle et vous blesser.

Consignes de sécurité pour l'utilisation de forêts longs
N'utilisez jamais une vitesse de rotation plus élevée que la vitesse maximale indiquée pour le forêt. Si la vitesse est plus élevée, le forêt peut se tordre s'il tourne sans être en contact avec la pièce à usiner, ce qui peut entraîner des blessures.

Commencez toujours à percer avec une vitesse faible lorsque le forêt se trouve en contact avec la pièce à usiner. Si la vitesse est plus élevée, le forêt peut se tordre s'il tourne sans être en contact avec la pièce à usiner, ce qui peut entraîner des blessures.

Exercez toujours une pression uniquement dans l'orientation directe du forêt. N'appuyez pas trop fort. Les forêts peuvent se tordre et se rompre ou entraîner une

perte de contrôle de l'appareil, ce qui peut entraîner des blessures.

AVIS COMPLÉMENTAIRES DE SÉCURITÉ ET DE TRAVAIL

L'accouplement à friction intégré ne réagit que lors d'un blocage brusque. C'est pourquoi il faut toujours utiliser la poignée supplémentaire.

Utiliser l'équipement de protection. Toujours porter des lunettes de protection pendant le travail avec la machine. Il est recommandé de porter des articles de protection, tels que masque antipoussière, gants de protection, chaussures tenant bien aux pieds et antidérapantes, casque et protection acoustique.

Les poussières qui sont dégagées pendant les travaux sont souvent nocives pour la santé et ne devraient pas pénétrer dans le corps. Porter un masque de protection approprié contre les poussières.

Il est interdit de travailler des matériaux dangereux pour la santé (par ex. amiante).

Désactiver immédiatement le dispositif en cas de blocage ! Ne pas réactiver le dispositif avec l'outil bloqué; il y a le risque de provoquer un contrecoup avec moment de réaction élevé. Établir et éliminer la cause du blocage de l'outil en prêtant attention aux consignes de sécurité.

Les causes possibles sont :

- Encastrement dans la pièce à travailler.
- Le dispositif a traversé le matériau à travailler en le cassant.
- Le dispositif électrique a été surchargé.

Ne pas approcher les mains de la partie en mouvement de la machine.

Durant l'utilisation, l'outil peut se surchauffer.

AVERTISSEMENT! Danger de brûlures

- durant le remplacement de l'outil
- durant la dépose de l'outil

Ne jamais enlever les copeaux ni les éclats lorsque la machine est en marche.

Le câble d'alimentation doit toujours se trouver en dehors du champ d'action de la machine. Toujours maintenir le câble d'alimentation à l'arrière de la machine.

Lors du perçage dans les murs, les plafonds ou les planchers, toujours faire attention aux câbles électriques et aux conduites de gaz et d'eau.

Fixer fermement la pièce en exécution à l'aide d'un dispositif de serrage. Des pièces en exécution non fermement fixées peuvent provoquer des dommages et des lésions graves.

Avant tous travaux sur la machine extraire la fiche de la prise de courant.

Pour effectuer de grands diamètres de perçage, la poignée supplémentaire doit être montée perpendiculairement à la poignée principale. Voir aussi les figures se trouvant dans le chapitre « Ajustement de la poignée ».

UTILISATION CONFORME AUX PRESCRIPTIONS

La perceuse au diamant peut être utilisée pour percer avec des couronnes de perçage diamantées sèches. Si le mandrin de serrage est mis en place, la machine convient au perçage à percussion dans la pierre ainsi qu'au perçage dans le bois et l'acier. La machine ne convient pas au perçage dans le béton avec apport d'eau.

Comme déjà indiqué, cette machine n'est conçue que pour être utilisée conformément aux prescriptions.

DÉCLARATION CE DE CONFORMITÉ

Nous déclarons, en tant que fabricant et sous notre seule responsabilité, que le produit décrit dans « Données techniques » est conforme à toutes les dispositions pertinentes des directives 2011/65/UE (RoHS), 2014/30/UE, 2006/42/CE et des documents normatifs harmonisés suivants :

- EN 62841-1:2015
- EN 62841-2-1:2018+A11:2019
- EN 55014-1:2017+A11:2020
- EN 55014-2:2015
- EN 61000-3-2:2014
- EN 61000-3-3:2013
- EN IEC 63000:2018

Winnenden, 2021-01-20



Alexander Krug
Managing Director



Autorisé à compiler la documentation technique.

Techtronic Industries GmbH
Max-Eyth-Straße 10
71364 Winnenden
Germany

BRANCHEMENT SECTEUR

Les prises de courant se trouvant à l'extérieur doivent être équipées de disjoncteurs différentiel (FI, RCD, PRCD) conformément aux prescriptions de mise en place de votre installation électrique. Veuillez en tenir compte lors de l'utilisation de notre appareil.

Raccorder uniquement à un courant électrique monophasé et uniquement à la tension secteur indiquée sur la plaque signalétique. Le raccordement à des prises de courant sans contact de protection est également possible car la classe de protection II est donnée.

Ne relier l'appareil à la prise de courant que lorsqu'il est débranché.

DISPOSITIF DE PROTECTION CONTRE UN REDÉMARRAGE

Un commutateur à potentiel zéro empêche un redémarrage de la machine après une panne de courant. Lors de la reprise du travail, éteindre la machine et l'enclencher à nouveau.

PROTECTION DE SURCHARGE DU MOTEUR

Dispositif de protection du moteur déclenché par le niveau de charge. La machine continue de fonctionner lentement de manière à refroidir le moteur. Après un refroidissement suffisant, un redémarrage de la machine est possible ; arrêter la machine, puis la remettre en marche.

PERCUSSION PEUT MENER

Selon le matériau à usiner, la percussion peut mener à une nette réduction du temps de perçage ou à une plus longue durée de vie des segments diamantés.

CONSIGNES DE TRAVAIL

Afin d'obtenir une progression de perçage plus élevée, enlever le forêt de centrage après avoir atteint une profondeur d'alésage d'environ 10 à 15 mm, ensuite introduire la couronne de forage dans la rainure existante et mettre la machine en marche à une vitesse modérée.

Pour des perçages sans précision particulière, il est possible de travailler sans forêt de centrage. Pour cela, incliner légèrement la couronne diamantée au départ de l'opération, puis, dès que la profondeur de 5 mm est

atteinte, redresser lentement la machine. (Ceci n'est possible que pour des couronnes diamantées courtes.) Lorsqu'il y a des carottes se détachant du matériau, retirer la couronne diamantée du matériau et enlever celles-ci. Une couronne diamantée affûtée facilite l'utilisation de la machine et la progression du travail. Affûtage possible dans des briques de sable calcaire ou dans une plaque d'affûtage.

ENTRETIEN

Tenir toujours propres les orifices de ventilation de la machine.

Au cas où la machine serait souvent utilisée en mode de percussion, il est recommandé d'enlever les poussières se trouvant dans le mandrin de serrage à intervalles réguliers. Tenir la machine dans la position verticale, le mandrin de serrage vers le bas, et desserrer et resserrer le plus possible le mandrin de serrage. Toute la poussière accumulée tombe ainsi du mandrin de serrage.

Il est recommandé d'utiliser régulièrement le spray de nettoyage (N° Id. 4932 6217 19) sur les mâchoires et les alésages des mâchoires de serrage.

Si le câble de raccordement au réseau secteur est endommagé, celui-ci doit être remplacé par un centre de service après-vente, pour éviter les risques.

N'utiliser que des pièces et accessoires Milwaukee. Pour des pièces dont l'échange n'est pas décrit, s'adresser de préférence aux stations de service après-vente Milwaukee (voir brochure Garantie/Adresses des stations de service après-vente).

Si besoin est, une vue éclatée de l'appareil peut être fournie. S'adresser, en indiquant bien le numéro porté sur la plaque signalétique, à votre station de service après-vente (voir liste jointe) ou directement à Techtronic Industries GmbH, Max-Eyth-Straße 10, 71364 Winnenden, Germany.

SYMBOLES



ATTENTION! AVERTISSEMENT! DANGER!



Avant tous travaux sur la machine extraire la fiche de la prise de courant.



Veuillez lire avec soin le mode d'emploi avant la mise en service



Accessoires - Ces pièces ne font pas partie de la livraison. Il s'agit là de compléments recommandés pour votre machine et énumérés dans le catalogue des accessoires.



Les déchets d'équipements électriques et électroniques (DEEE) ne sont pas à éliminer dans les déchets ménagers.

Les déchets d'équipements électriques et électroniques doivent être collectés et éliminer séparément.

Retirez les ampoules des appareils avant de les jeter. S'adresser aux autorités locales ou au détaillant spécialisé en vue de connaître l'emplacement des centres de recyclage et des points de collecte.

Selon les réglementations locales, les détaillants peuvent être tenus de reprendre gratuitement les déchets de piles et les déchets d'équipements électriques et électroniques. Contribuez à réduire la demande de matières premières en réutilisant et en recyclant vos déchets d'équipements électriques et électroniques.

Les déchets d'équipements électriques et électroniques comportent des matériaux précieux et recyclables qui peuvent avoir des impacts négatifs sur l'environnement et sur votre santé s'ils ne sont pas éliminés de manière écologique.

Avant de mettre au rebut votre ancien appareil, supprimez les données personnelles qui pourraient s'y trouver.



Outil électrique en classe de protection II. Outil électrique équipé d'une protection contre la fulguration électrique qui ne dépend seulement de l'isolation de base mais aussi de l'application d'autres mesures de protection telles qu'une double isolation ou une isolation augmentée. La connexion d'un conducteur de protection n'est pas prédisposée.



Vitesse de rotation à vide



Voltage



Courant alternatif



Marque de conformité européenne



Marque de conformité britannique



Regulatory Compliance Mark (RCM). Le produit est conforme aux prescriptions en vigueur.



Marque de conformité ukrainienne



Marque de conformité d'Eurasie

DATI TECNICI

CAROTATORI

DD2-160 XE (220-240V)

Numero di serie	3686 91 05... ...000001-999999
Potenza assorbita nominale	1500 W
Potenza erogata	820 W
Numero di giri a vuoto in 1. Velocità	0-1500 min ⁻¹
Numero di giri a vuoto in 1. Velocità	0-3000 min ⁻¹
Numero di giri a carico, max. in 1° velocità	890 min ⁻¹
Numero di giri a carico, max. in 2. Velocità	1770 min ⁻¹
Percussione a pieno, max.	48000 min ⁻¹
Ø Foratura in 1. velocità	80-162 mm
Ø Foratura in 2. velocità	32-90 mm
Attacco mandrino	M18
Ø collarino di fissaggio	57 mm
Peso secondo la procedura EPTA 01/2014	4,2 kg

Informazioni sulla rumorosità

Valori misurati conformemente alla norma EN 62841.

La misurazione A del livello di pressione acustica

dell'utensile è di solito di:

Livello di rumorosità (Incertezza della misura K=3dB(A)) 100 dB (A)

Potenza della rumorosità (Incertezza della misura K=3dB(A)) 111 dB (A)

Utilizzare le protezioni per l'udito!

Informazioni sulle vibrazioni

Valori totali delle oscillazioni (somma di vettori in tre direzioni) misurati conformemente alla norma EN 62841

Valore di emissione dell'oscillazione a_h

Perforazione in metallo 2,3 m/s²

Incertezza della misura K= 1,5 m/s²

Perforazione a percussione 18,3 m/s²

Incertezza della misura K= 1,5 m/s²

Perforazione a percussione con corona a forare diamantata 14,8 m/s²

Incertezza della misura K= 1,5 m/s²

AVVERTENZA

Il/i valore/i di emissione acustica riportato/i in questa scheda informativa sono stati misurati conformemente a un metodo di prova standard sulla base della norma EN 62841 e possono essere utilizzati per confrontare gli utensili tra loro. Può/ possono essere utilizzato/i anche per una valutazione preliminare dell'esposizione.

Il livello di vibrazione ed emissione acustica dichiarato rappresenta le applicazioni principali dell'utensile. Tuttavia, se l'utensile è utilizzato per applicazioni diverse, con accessori differenti o una manutenzione non adeguata, la vibrazione e l'emissione acustica potrebbero variare. Ciò può aumentare significativamente il livello di esposizione durante l'intera durata del lavoro.

Una stima del livello di esposizione alle vibrazioni e al rumore dovrebbe tenere conto anche dei periodi in cui l'utensile è spento o è in funzione ma non sta lavorando. Ciò può ridurre significativamente il livello di esposizione durante l'intera durata del lavoro.

Identificare le misure di sicurezza supplementari per proteggere l'operatore dagli effetti delle vibrazioni e/o del rumore, ad esempio eseguendo la manutenzione dell'utensile e degli accessori, mantenendo le mani calde e organizzando gli schemi di lavoro.

AVVERTENZA! Leggere tutte le avvertenze di sicurezza, istruzioni operative, illustrazioni e specifiche fornite con questo elettroutensile. Il mancato rispetto delle istruzioni di seguito riportate può causare scosse elettriche, incendi e/o lesioni gravi.
Conservare tutte le avvertenze di pericolo e le istruzioni operative per ogni esigenza futura.

INDICAZIONI DI SICUREZZA PER CAROTATRICE

Istruzioni di sicurezza per tutte le operazioni

Tenere l'utensile elettrico con superfici di presa isolate, quando si esegue un'operazione in cui l'accessorio da taglio o gli elementi di fissaggio potrebbero toccare cavi nascosti o il proprio cavo. L'accessorio da taglio o gli elementi di fissaggio che entrano in contatto con un filo "vivo" possono rendere "vive" parti metalliche esposte dell'attrezzo elettrico e possono provocare scosse elettriche all'operatore.

Utilizzare l'utensile con la sua impugnatura supplementare. La perdita di controllo potrebbe causare danneggiamenti all'utilizzatore.

Prima di iniziare il lavoro, afferrare bene il dispositivo sull'apposita impugnatura. Questo dispositivo genera un'alta coppia motrice e se non viene afferrato bene durante l'uso, potrebbe perderne il controllo e ferirvi.

Avvertenze di sicurezza per l'uso di punte lunghe

Non usare mai un numero di giri superiore a quello massimo indicato per la punta da trapano. Lavorando con un numero di giri superiore, la punta potrebbe piegarsi quando gira senza contatto con il pezzo in lavorazione e potrebbe causare lesioni.

Iniziare sempre con un numero di giri basso e con la punta in contatto con il pezzo in lavorazione. Lavorando con un numero di giri superiore, la punta potrebbe piegarsi quando gira senza contatto con il pezzo in lavorazione e potrebbe causare lesioni.

Esercitare pressione soltanto nella stessa direzione della punta e non premere troppo. Le punte potrebbero piegarsi e rompersi o potrebbero causare la perdita di controllo sul dispositivo, il che a sua volta potrebbe causare lesioni.

ULTERIORI AVVISI DI SICUREZZA E DI LAVORO

L'accoppiamento elastico montato reagisce solo in caso di blocco brusco, pertanto utilizzare sempre l'impugnatura supplementare.

Usare dispositivi di protezione. Durante il lavoro con la macchina bisogna sempre portare occhiali di protezione. Si consiglia di indossare indumenti di protezione come maschera antipolvere, guanti di protezione, scarpe antiscivolo robuste, casco e cuffie di protezione acustica.

La polvere che si produce durante il lavoro è spesso dannosa per la salute e non dovrebbe essere aspirata. Portare un'adeguata mascherina protettiva.

E' vietato lavorare materiali che possono costituire pericoli alla salute (ad es. amianto).

Spegnerne immediatamente il dispositivo in caso di bloccaggio! Non riaccendere il dispositivo fino a quando l'utensile ad inserto resta bloccato; esiste il rischio di causare un contraccolpo con elevato momento di reazione. Rilevare ed eliminare la causa del bloccaggio dell'utensile ad inserto tenendo conto delle indicazioni di sicurezza.

Le possibili cause sono:

- Incastro nel pezzo in lavorazione
- Il dispositivo ha attraversato il materiale da lavorare rompendolo
- Il dispositivo elettrico è stato sovraccaricato

Non avvicinare le mani alla parte della macchina in movimento.

Durante l'uso l'utensile ad inserto può surriscaldarsi.

AVVERTENZA! Pericolo di ustioni

- durante la sostituzione dell'utensile
- durante il deposito dell'utensile

Non rimuovere trucioli o schegge mentre l'utensile è in funzione.

Tenere sempre lontano il cavo di collegamento dall'area di lavoro dell'attrezzo.

Forando pareti, soffitti o pavimenti, si faccia attenzione ai cavi elettrici e alle condutture dell'acqua e del gas.

Fissare in sicurezza il pezzo in lavorazione con un dispositivo di serraggio. Pezzi in lavorazione che non siano fissati in sicurezza possono causare gravi lesioni e danni.

Prima di effettuare qualsiasi lavoro sulla macchina togliere la spina dalla presa di corrente.

Quando si lavora con punte di grande diametro, l'impugnatura supplementare deve essere ben fissata ad angolo retto con l'impugnatura principale (vedere figura Sezione "Inserire l'impugnatura").

UTILIZZO CONFORME

Il trapano può essere utilizzato per la foratura con punte diamantate a secco. Con un apposito autocentrante il trapano è ideale per la foratura a percussione in roccia e per la foratura in legno ed acciaio. L'attrezzo non è adatto per la foratura ad umido in calcestruzzo.

Utilizzare il prodotto solo per l'uso per cui è previsto.

DICHIARAZIONE CE DI CONFORMITÀ

In qualità di produttore dichiariamo sotto la nostra esclusiva responsabilità che il prodotto descritto nei "Dati tecnici" è conforme a tutte le disposizioni pertinenti delle direttive 2011/65/UE (RoHS), 2014/30/UE, 2006/42/CE e dei seguenti documenti normativi armonizzati:

EN 62841-1:2015
EN 62841-2-1:2018+A11:2019
EN 55014-1:2017+A11:2020
EN 55014-2:2015
EN 61000-3-2:2014
EN 61000-3-3:2013
EN IEC 63000:2018

Winnenden, 2021-01-20

Alexander Krug
Managing Director



Autorizzato alla preparazione della documentazione tecnica

Techtronic Industries GmbH
Max-Eyth-Straße 10
71364 Winnenden
Germany

COLLEGAMENTO ALLA RETE

Gli apparecchi mobili usati all'aperto devono essere collegati interponendo un interruttore di sicurezza (FI, RCD, PRCD) per guasti di corrente.

Connettere solo corrente alternata mono fase e solo al sistema di voltaggio indicato sulla piastra. E' possibile anche connettere la presa senza un contatto di messa a terra così come prevede lo schema conforme alle norme di sicurezza di classe II.

Inserire la spina nella presa di corrente solo ad apparecchio spento

PROTEZIONE CONTRO IL RIAVVIO

Interruttore di sicurezza che previene l'avviamento accidentale dell'utensile dopo una interruzione di corrente nella rete elettrica. Per ripristinare il funzionamento, riportare l'interruttore in posizione di spento e quindi premere nuovamente l'interruttore.

MOTORE SOVRACCARICATO

Protezione del motore contro il sovraccarico. L'apparecchio lavora lentamente per il raffreddamento del motore. Dopo un raffreddamento sufficiente è possibile riattivare l'apparecchio, per cui, spegnere e riaccendere.

COLPO SOFT

A seconda del materiale da lavorare, il colpo soft può causare una notevole riduzione del tempo di trapanatura oppure una maggiore vita utile dei segmenti diamantati.

ISTRUZIONI DI LAVORO

Dopo aver raggiunto un buon livello di foratura, cioè ad una profondità del foro di circa 10-15 mm, togliere la punta da centri, inserire la corona a forare nell'apposita scanalatura e azionare l'utensile ad un numero di giri ridotto.

Quando si devono eseguire forature non precise si può trapanare senza la punta di centraggio. Inserire la corona e mettere la macchina in posizione diritta fino a quando non si raggiunge una profondità di ca. 5 mm. (E' possibile usando solo punte corte!!!) Componenti del sistema di perforazione a secco con tecnica al diamante senza aspiratore polvere.

Se la corona si dovesse svitare, togliere dalla corona il materiale e rimuovere la carota.

Una corona a forare ben affilata consente un utilizzo più agevole e migliori e più rapidi risultati di foratura: Modalità di affilatura: nella pietra arenaria o su apposita piastra

MANUTENZIONE

Tener sempre ben pulite le fessure di ventilazione dell'apparecchio.

Se la macchina è prevalentemente usata per trapanatura a percussione, rimuovere regolarmente la polvere dal mandrino. Per rimuovere la polvere tenere la macchina con il mandrino verso il basso in posizione verticale e aprire e chiudere completamente il mandrino. La polvere cadrà dal mandrino.

Si raccomanda un uso regolare di pulitori (Id. No. 4932 6217 19) per le ganasce e le fessure delle ganasce.

Se il cavo di allacciamento elettrico è danneggiato, deve essere immediatamente sostituito dal punto di servizio assistenza, perché allo scopo serve un utensile speciale.

Utilizzare esclusivamente accessori e pezzi di ricambio Milwaukee. L'installazione di pezzi di ricambio non specificamente prescritti dall'Milwaukee va preferibilmente effettuata dal servizio di assistenza clienti Milwaukee (ved. opuscolo Garanzia/Indirizzi Assistenza tecnica).

In caso di mancanza del disegno esploso, può essere richiesto al seguente indirizzo: Techtronic Industries GmbH, Max-Eyth-Straße 10, 71364 Winnenden, Germany.

SIMBOLI



ATTENZIONE! AVVERTENZA! PERICOLO!



Prima di effettuare qualsiasi lavoro sulla macchina togliere la spina dalla presa di corrente.



Leggere attentamente le istruzioni per l'uso prima di mettere in funzione l'elettrotensile.



Accessorio - Non incluso nella dotazione standard, disponibile a parte come accessorio.



I rifiuti di apparecchiature elettriche ed elettroniche non devono essere smaltiti con i rifiuti domestici.

I rifiuti di apparecchiature elettriche ed elettroniche devono essere raccolti e smaltiti separatamente.

Rimuovere le sorgenti luminose dalle apparecchiature prima di smaltirle. Chiedere alle autorità locali o al rivenditore specializzato dove si trovano i centri di riciclaggio e i punti di raccolta.

A seconda dei regolamenti locali, i rivenditori al dettaglio possono essere obbligati a ritirare gratuitamente i rifiuti di apparecchiature elettriche ed elettroniche. Aiutate a ridurre il fabbisogno di materie prime riutilizzando e riciclando i propri rifiuti di apparecchiature elettriche ed elettroniche. I rifiuti di apparecchiature elettriche ed elettroniche contengono materiali preziosi e riciclabili che possono avere un impatto negativo sull'ambiente e sulla vostra salute se non vengono smaltiti in modo ecologico. Cancellare tutti i dati personali che potrebbero essere presenti sul vostro rifiuto di apparecchiatura prima di procedere allo smaltimento.



Utensile elettrico di classe di protezione II. Utensile elettrico sul quale la protezione contro la folgorazione elettrica non dipende soltanto dall'isolamento di base, ma anche dall'applicazione di ulteriori misure di protezione, come il doppio isolamento o l'isolamento maggiorato. Non è predisposto il collegamento di un conduttore di protezione.

n_0

Numero di giri a vuoto

V

Volt



Corrente alternata



Marchio di conformità europeo



Marchio di conformità britannico



Regulatory Compliance Mark (RCM). Il prodotto soddisfa le prescrizioni in vigore.



Marchio di conformità ucraino



Marchio di conformità euroasiatico

DATOS TÉCNICOS		TALADRO DIAMANTE	DD2-160 XE (220-240V)
Número de producción	3686 91 05...	...000001-999999
Potencia de salida nominal	1500 W	
Potencia entregada	820 W	
Velocidad en vacío 1ª marcha	0-1500 min ⁻¹	
Velocidad en vacío 2ª marcha	0-3000 min ⁻¹	
Velocidades en carga max. 1ª velocidad	890 min ⁻¹	
Velocidades en carga max. 2ª velocidad	1770 min ⁻¹	
Frecuencia de impactos	48000 min ⁻¹	
Diámetro de taladrado en 1ª velocidad	80-162 mm	
Diámetro de taladrado en 2ª velocidad	32-90 mm	
Eje de accionamiento	M18	
Diámetro de cuello de amarre	57 mm	
Peso de acuerdo con el procedimiento EPTA 01/2014	4,2 kg	

Información sobre ruidos

Determinación de los valores de medición según norma EN 62841.

El nivel de ruido típico del aparato determinado con un filtro

A corresponde a:

Presión acústica (Tolerancia K=3dB(A))..... 100 dB (A)

Resonancia acústica (Tolerancia K=3dB(A))..... 111 dB (A)

Usar protectores auditivos!

Informaciones sobre vibraciones

Nivel total de vibraciones (suma vectorial de tres

direcciones) determinado según EN 62841.

Valor de vibraciones generadas a_h

Taladrado en metal..... 2,3 m/s²

Tolerancia K=..... 1,5 m/s²

Taladrado de percusión..... 18,3 m/s²

Tolerancia K=..... 1,5 m/s²

Taladrado de percusión con broca de corona de diamante..... 14,8 m/s²

Tolerancia K=..... 1,5 m/s²

ADVERTENCIA

El nivel de emisión de ruido y vibración indicado en esta hoja informativa se ha medido de acuerdo con una prueba estandarizada que figura en EN 62841 y se puede usar para comparar una herramienta con otra. Puede ser empleado para una evaluación preliminar de la exposición.

El nivel declarado emisión de vibración y ruido representa las principales aplicaciones de la herramienta. Sin embargo, si la herramienta se utiliza para diferentes aplicaciones, con diferentes accesorios o con un mantenimiento deficiente, la emisión de ruido y vibración puede diferir. Esto puede aumentar significativamente el nivel de exposición durante el periodo total de trabajo.

También se debe tener en cuenta una estimación del nivel de exposición a la vibración y el ruido cuando la herramienta está apagada o cuando está funcionando, pero no está haciendo su trabajo. Esto puede reducir significativamente el nivel de exposición durante el periodo total de trabajo.

Identifique medidas de seguridad adicionales para proteger al operador de los efectos de la vibración o el ruido, como realizar mantenimiento de la herramienta y los accesorios, mantener las manos calientes y organizar las pautas de trabajo.

⚠ ADVERTENCIA: Lea todas las advertencias de peligro, instrucciones, ilustraciones y especificaciones suministradas con esta herramienta eléctrica. En caso de no atenerse a las instrucciones siguientes, ello puede ocasionar una descarga eléctrica, un incendio y/o lesión grave. **Guardar todas las advertencias de peligro e instrucciones para futuras consultas.**

INDICACIONES DE SEGURIDAD PARA PERFORADORA DE DIAMANTE

Instrucciones de seguridad para todas las operaciones

Sujete la herramienta eléctrica por medio de superficies de agarre aisladas cuando realice una operación en la que el accesorio de corte o los sujetadores puedan entrar en contacto con cables ocultos o con su propio cable. Los accesorios de corte o los sujetadores que entran en contacto con un cable "bajo tensión" pueden hacer que las partes metálicas expuestas de la herramienta eléctrica estén "bajo tensión" y provocar una descarga eléctrica al operario.

¡Utilice las empuñaduras auxiliares suministradas con la herramienta! La pérdida de control de la herramienta puede causar accidentes

Antes de comenzar a trabajar, coja el aparato firmemente por la empuñadura prevista para ello. Este aparato genera un elevado par de torsión de salida y si usted no lo agarra bien durante su funcionamiento podría perder el control del mismo y lesionarse.

Indicaciones de seguridad para el uso de brocas para taladro largas

No lo utilice nunca con una velocidad de giro superior a la velocidad de giro máxima indicada para la broca de taladro. A velocidades de giro más elevadas, la broca de taladro se puede doblar cuando esta taladra sin tener contacto con la pieza de trabajo, lo cual puede provocar lesiones.

Comience siempre con una velocidad de giro baja y siempre que la broca de taladro esté en contacto con la pieza de trabajo. A velocidades de giro más elevadas, la broca de taladro se puede doblar cuando esta taladra sin tener contacto con la pieza de trabajo, lo cual puede provocar lesiones.

Ejerza siempre presión solo si lo hace en línea directa respecto de la broca de taladro y no apriete demasiado fuertemente. Las brocas de taladro pueden doblarse y romperse o provocar la pérdida de control del aparato, lo cual a su vez puede ocasionar lesiones.

INSTRUCCIONES ADICIONALES DE SEGURIDAD Y LABORALES

El acoplamiento de resbalamiento instalado reacciona únicamente en el caso de movimientos bruscos. Emplee por ello siempre la manija adicional.

Utilice el equipamiento de protección. Mientras trabaje con la máquina lleve siempre gafas protectoras. Se recomienda utilizar ropa de protección como máscara protectora contra el polvo, guantes protectores, calzado resistente y antideslizante, casco y protección para los oídos.

El polvo que se produce durante estos trabajos puede ser nocivo a la salud; es por ello es aconsejable que no penetre al cuerpo. Utilice por ello una máscara protectora contra polvo.

No se deben trabajar materiales que conlleven un riesgo para la salud (por ej. amianto).

¡En caso de que se bloquee el útil, el aparato se debe desconectar inmediatamente! No vuelva a conectar el aparato, mientras el útil esté bloqueado; se podría producir un rechazo debido a la reacción de retroceso brusca. Averigüe y elimine la causa del bloqueo del útil, teniendo en cuenta las indicaciones de seguridad.

Causas posibles para ello pueden ser:

- Atascamiento o bloqueo en la pieza de trabajo
- Rotura del material con el que está trabajando
- Sobrecarga de la herramienta eléctrica

No introduzca las manos en la máquina mientras ésta se encuentra en funcionamiento.

El útil se puede calentar durante el uso.

ADVERTENCIA! Peligro de quemaduras

- en caso de cambiar la herramienta
- en caso de depositar el aparato

Nunca se debe intentar limpiar el polvo o viruta procedente del taladrado con la máquina en funcionamiento.

Mantener siempre el cable separado del radio de acción de la máquina.

Para trabajar en paredes, techo o suelo, tenga cuidado para evitar los cables eléctricos y tuberías de gas o agua.

Fije la pieza de trabajo con un dispositivo de fijación. Las piezas de trabajo no fijadas pueden causar lesiones graves y deterioros.

Desconecte siempre el enchufe antes de llevar a cabo cualquier trabajo en la máquina.

Cuando se trabaje en grandes diámetros, se debe colocar la empuñadura auxiliar en ángulo recto con respecto a la empuñadura principal (ver ilustración, sección (girar la empuñadura"))

APLICACIÓN DE ACUERDO A LA FINALIDAD

La perforadora de diamante puede emplearse para perforar con coronas de diamante para perforación en seco. Al montar el portabrocas en la máquina, puede emplearse la misma para la perforación de percusión en rocas y para efectuar perforaciones en madera y acero. La máquina no es adecuada para el perforado en húmedo en hormigón.

No utilice este producto para ninguna otra aplicación que no sea su uso normal.

DECLARACIÓN CE DE CONFORMIDAD

Declaramos como fabricante y bajo nuestra responsabilidad que el producto descrito bajo "Datos técnicos" está en conformidad con todas las normas relevantes de las directivas 2011/65/UE (RoHS), 2014/30/UE, 2006/42/CE y con las siguientes normas o documentos normalizados:

EN 62841-1:2015
EN 62841-2-1:2018+A11:2019
EN 55014-1:2017+A11:2020
EN 55014-2:2015
EN 61000-3-2:2014
EN 61000-3-3:2013
EN IEC 63000:2018

Winnenden, 2021-01-20



Alexander Krug
Managing Director



Autorizado para la redacción de los documentos técnicos.

Techronic Industries GmbH
Max-Eyth-Straße 10
71364 Winnenden
Germany

CONEXIÓN ELÉCTRICA

Conecte siempre la máquina a una red protegida por interruptor diferencial y magnetotérmico (FI, RCD, PRCD), para su seguridad personal, según normas establecidas para instalaciones eléctricas de baja tensión.

Conectar solamente a corriente AC monofásica y sólo al voltaje indicado en la placa de características. También es posible la conexión a enchufes sin toma a tierra, dado que es conforme a la Clase de Seguridad II.

Asegurarse que la máquina está desconectada antes de enchufarla.

PROTECCIÓN CONTRA EL REARRANQUE

El interruptor de tensión nula evita que la máquina arranque de nuevo después de una corte de corriente. Para volver a reanudar el trabajo desconectar la máquina y volver a conectarla.

PROTECTOR DEL MOTOR DEPENDIENTE DE LA CARGA

Dispositivo de protección del motor controlado por la carga del motor.

La máquina continuará girando lentamente para enfriar el motor. Después de que se haya enfriado suficientemente, puede reanudar el funcionamiento normal parando y arrancando la máquina de nuevo.

PERCUSIÓN SUAVE

Dependiendo del material a tratarse, el golpe ablandador puede provocar una reducción notable del tiempo de perforación o un tiempo mayor de duración de los segmentos de diamante

INDICACIONES PARA EL TRABAJO

Para avanzar más, quite la broca de centrado después de haber alcanzado una profundidad de unos 10-15 mm. Inserte la broca de corona en la ranura existente y deje la máquina trabajar desahogadamente.

Los orificios que no tengan que tener una gran precisión se pueden taladrar sin broca de centrado. Para ello, aplique la broca de corona diagonalmente y ponga la máquina lentamente en posición recta cuando haya alcanzado una profundidad de aproximadamente 5 mm. (¡Esto sólo es posible cuando se utilizan brocas de corona cortas!)

Si se parte del redondo macizo de ladrillo, retire la broca y extráigalo cuando la máquina se haya parado.

Para obtener el mejor rendimiento, los dientes de diamante no deben estar gastados. Para dejar vivos los cantos de diamante, frote las superficies de los dientes con una piedra de afilar diamante.

MANTENIMIENTO

Las ranuras de ventilación de la máquina deben estar despejadas en todo momento.

Si la máquina se usa principalmente para taladrado a percusión, limpie periódicamente el polvo acumulado en el portabrocas. Para limpiar el polvo, sujete la máquina con el portabrocas mirando verticalmente hacia abajo, y ábralo y ciérrelo completamente. El polvo acumulado caerá del portabrocas.

Se recomienda utilizar regularmente un limpiador (designación 4932 6217 19) para las mordazas de sujeción y los alojamientos de éstas.

Si el cable de conexión a la red estuviera dañado, deberá ser sustituido en un punto de servicio técnico, para evitar situaciones de peligro.

Solo se deben utilizar accesorios y piezas de repuestos Milwaukee. Piezas cuyo recambio no está descrito en las instrucciones de uso, deben sustituirse en un centro de asistencia técnica Milwaukee (Consulte el folleto Garantía/ Direcciones de Centros de Asistencia Técnica).

En caso necesario, puede solicitar un despiece de la herramienta. Por favor indique el número de impreso que hay en la etiqueta y pida el despiece a la siguiente dirección: Techtronic Industries GmbH, Max-Eyth-Straße 10, 71364 Winnenden, Germany.

SÍMBOLOS



¡ATENCIÓN! ¡ADVERTENCIA! ¡PELIGRO!



Desconecte siempre el enchufe antes de llevar a cabo cualquier trabajo en la máquina.



Lea las instrucciones detenidamente antes de conectar la herramienta



Accesorio - No incluido en el equipo estándar, disponible en la gama de accesorios.



Los residuos de aparatos eléctricos y electrónicos no se deben desechar junto con la basura doméstica.

Los residuos de aparatos eléctricos y electrónicos se deben recoger y desechar por separado.

Retire las fuentes de iluminación de los aparatos antes de desecharlos. Infórmese en las autoridades locales o en su distribuidor especializado sobre los centros de reciclaje y los puntos de recogida.

Dependiendo de las disposiciones locales al respecto, los distribuidores minoristas pueden estar obligados a aceptar de forma gratuita la devolución de residuos de aparatos eléctricos y electrónicos.

Contribuya mediante la reutilización y el reciclaje de sus residuos de aparatos eléctricos y electrónicos a reducir la demanda de materias primas.

Los residuos de aparatos eléctricos y electrónicos contienen valiosos materiales reutilizables que pueden tener efectos negativos para el medio ambiente y su salud si no son desechados de forma respetuosa con el medio ambiente.

Antes de desecharlos, elimine los datos personales que podría haber en los residuos de sus aparatos.



Herramienta eléctrica de la clase de protección II.
Herramientas eléctricas, en las que la protección contra un choque eléctrico no depende solamente del aislamiento básico sino también de la aplicación de medidas adicionales de protección, como doble aislamiento o aislamiento reforzado.
No existe dispositivo para la conexión de un conductor protector.



Velocidad en vacío



Tensión



Corriente CA



Marcado de conformidad europeo



Marcado de conformidad británico



Regulatory Compliance Mark (RCM). El producto cumple las normas vigentes



Marcado de conformidad ucraniano



Marcado de conformidad euroasiático

CARACTERÍSTICAS TÉCNICAS BERBEQUIM DE DIAMANTE

DD2-160 XE (220-240V)

Número de produção.....	3686 91 05... ...000001-999999
Potência absorvida nominal	1500 W
Potência de saída.....	820 W
Nº de rotações em vazio na 1ª velocidade.....	0-1500 min ⁻¹
Nº de rotações em vazio na 2ª velocidade.....	0-3000 min ⁻¹
Velocidade de rotação máxima em carga na 1.ª velocidade.....	890 min ⁻¹
Velocidade de rotação máxima em carga na 2ª velocidade.....	1770 min ⁻¹
Frequência de percussão max.....	48000 min ⁻¹
Ø de furo em 1ª velocidade.....	80-162 mm
Ø de furo em 2ª velocidade.....	32-90 mm
Veio da bucha.....	M18
Ø da gola de aperto	57 mm
Peso nos termos do procedimento-EPTA 01/2014.....	4,2 kg

Informações sobre ruído

Valores de medida de acordo com EN 62841.

O nível de ruído avaliado A do aparelho é tipicamente:

Nível da pressão de ruído (Incertez K=3dB(A)) 100 dB (A)

Nível da potência de ruído (Incertez K=3dB(A))..... 111 dB (A)

Use protectores auriculares!

Informações sobre vibração

Valores totais de vibração (soma dos vectores das três direcções) determinadas conforme EN 62841.

Valor de emissão de vibração a_h

Furar em metal 2,3 m/s²

Incerteza K= 1,5 m/s²

Furar de impacto em betão 18,3 m/s²

Incerteza K= 1,5 m/s²

Furar de impacto em betão com broca de coroa diamantada 14,8 m/s²

Incerteza K= 1,5 m/s²

ATENÇÃO

O nível de emissão de ruído e vibração fornecido nesta ficha de informações foi medido de acordo com um teste padronizado que se encontra na norma EN 62841, podendo ser utilizado para fazer comparações entre ferramentas. Pode ser utilizado para fazer uma avaliação preliminar da exposição.

O nível de emissão de ruído e vibração declarado representa as principais aplicações da ferramenta. No entanto, se a ferramenta for utilizada para aplicações diferentes ou com acessórios distintos, ou se a sua manutenção for deficiente, a emissão de ruídos e vibrações poderá diferir. Isso poderá aumentar significativamente o nível de exposição ao longo do período de trabalho total.

A estimativa do nível de exposição à vibração e ruído também deve ter em conta os tempos em que a ferramenta, quer desligada quer em funcionamento, não está realmente a trabalhar. Isso poderá reduzir significativamente o nível de exposição ao longo do período de trabalho total.

Identifique medidas de segurança adicionais para proteger o operador contra os efeitos da vibração e/ou ruído, tais como: fazer a manutenção da ferramenta e dos acessórios, manter as mãos quentes, organizar padrões de trabalho.

⚠️ ADVERTÊNCIA Devem ser lidas todas as advertências de segurança, instruções, ilustrações e especificações fornecidas com esta ferramenta elétrica. O desrespeito das advertências e instruções apresentadas abaixo pode causar choque elétrico, incêndio e/ou graves lesões.
Guarde bem todas as advertências e instruções para futura referência.

⚠️ AVISOS DE SEGURANÇA PARA O BERBEQUIM DE DIAMANTE

Instruções de segurança para todas as operações

Ao realizar uma operação na qual o acessório de corte ou os dispositivos de aperto possam contactar com fios ocultos ou com o próprio cabo, segure na ferramenta elétrica pelas superfícies isoladas destinadas a esse fim. O contacto do acessório de corte ou dos dispositivos de aperto com um fio "eletrificado" pode fazer com que as partes expostas da ferramenta também fiquem "eletrificadas" e levar a que o operador apanhe um choque.

Sempre use os punhos adicionais fornecidos com o aparelho. A perda de controlo pode causar feridas.

Antes de começar o trabalho, segure o aparelho bem no manípulo previsto. Este aparelho gera um alto torque de acionamento e se não segurá-lo bem durante a operação, poderá perder o controlo e ferir-se.

Instruções de segurança para o uso de brocas compridas

Nunca use uma velocidade maior do que a velocidade máxima indicada para a broca. Em caso de maiores velocidades a broca pode deformar-se ao girar sem contato com a peça e isso pode causar feridas.

Sempre comece com uma velocidade baixa e com a broca em contato direto com a peça. Com velocidades mais altas a broca pode deformar-se ao girar sem contato com a peça e isso pode causar feridas.

Sempre só exerça pressão em direção direta à broca e não aperte demais. As brocas podem deformar-se e quebrar ou isso pode causar uma perda do controlo sobre o aparelho, o que também pode causar feridas.

INSTRUÇÕES DE SEGURANÇA E TRABALHO SUPLEMENTARES

O acoplamento de atrito integrado só é activado em caso de bloqueio brusco. Por conseguinte, usar sempre a pega adicional.

Utilizar equipamento de protecção. Durante os trabalhos com a máquina, usar sempre óculos de protecção. Vestuário de protecção, bem como máscara de pó, sapatos fechados e antiderrapante, capacete e protecção auditiva são recomendados.

O pó que resulta ao trabalhar pode ser nocivo para a saúde, por isso não devendo penetrar no corpo. Use uma máscara de protecção contra pó apropriada.

Não devem ser processados materiais que representem um perigo para a saúde (p. ex. asbesto).

Desligue o aparelho imediatamente, quando a ferramenta de inserção bloquear! Não ligue o aparelho novamente durante o bloqueio da ferramenta de inserção, pois isso pode levar a um recuo repentino com uma alta força reactiva. Verifique e elimine a causa do bloqueio da ferramenta de inserção, observando as instruções de segurança.

Causas possíveis podem ser:

- Emperramento na peça a trabalhar
- Material a processar rompido
- Sobrecarga da ferramenta eléctrica

Não toque na máquina em operação.

A ferramenta de inserção pode ficar quente durante a operação.

ATENÇÃO! Perigo de queimar-se

- na troca das ferramentas
- ao depositar o aparelho

Não remover aparas ou lascas enquanto a máquina trabalha.

Manter sempre o cabo de ligação fora da zona de acção da máquina.

Ao trabalhar em paredes, tectos e soalhos prestar atenção a que não sejam atingidos cabos eléctricos e canalizações de gás e água.

Fixe a peça a trabalhar com um dispositivo de fixação. Peças a trabalhar não fixadas podem levar a feridas graves e danos sérios.

Antes de efectuar qualquer intervenção na máquina, tirar a ficha da tomada.

No caso de grandes diâmetros de furo, o punho adicional tem que ser fixado perpendicularmente ao punho principal. Ver também na parte de imagens, secção "Rodar punho").

UTILIZAÇÃO AUTORIZADA

A furadadeira com pontas de diamante pode ser utilizada para perfurar com coroas de perfuração a seco de diamante. Com o mandril de brocas sobreposto, a máquina é apropriada para a perfuração de percussão em pedras e para perfurar madeira ou aço. A máquina é apropriada para a perfuração por via húmida em betão.

Não use este produto de outra maneira sem ser a normal para o qual foi concebido.

DECLARAÇÃO CE DE CONFORMIDADE

Como fabricante, declaramos sob responsabilidade exclusiva, que o produto descrito sob "Dados Técnicos" corresponde com todas as disposições relevantes das diretivas 2011/65/UE (RoHS), 2014/30UE, 2006/42/CE e dos seguintes documentos normativos harmonizados:

EN 62841-1:2015
EN 62841-2-1:2018+A11:2019
EN 55014-1:2017+A11:2020
EN 55014-2:2015
EN 61000-3-2:2014
EN 61000-3-3:2013
EN IEC 63000:2018

Winnenden, 2021-01-20

Alexander Krug
Managing Director



Autorizado a reunir a documentação técnica.

Techtronic Industries GmbH
Max-Eyth-Straße 10
71364 Winnenden
Germany

LIGAÇÃO À REDE

Aparelhos não estacionários, utilizados ao ar livre, devem ser protegidos por um disjuntor de corrente de defeito (FI, RCD, PRCD).

Só conectar à corrente alternada monofásica e só à tensão de rede indicada na placa de potência. A conexão às tomadas de rede sem contacto de segurança também é possível, pois trata-se de uma construção da classe de protecção II.

Ao ligar o aspirador à rede, o interruptor deve encontrar-se na posição de desligado.

PROTECÇÃO DE REINÍCIO

O interruptor de tensão nula evita um reiniciar da máquina depois de uma falha de circuito. Na altura do novo início de trabalho desligar a máquina e ligá-la de novo.

PROTECÇÃO DO MOTOR EM FUNÇÃO DA CARGA

Forte sobrecarga do motor. A máquina continua a rodar lentamente para arrefecimento do enrolamento do motor. Só é possível ligar a máquina passado um período de arrefecimento. Parar a desligar e voltar a ligar a máquina.

PERCUSSÃO SUAVE

Consoante o material a trabalhar, o sistema de percussão suave pode reduzir manifestamente o tempo de perfuração ou prolongar a duração dos segmentos de diamante.

DICAS DE TRABALHO

Para obter um maior avanço do furo, extrair a broca de centragem quando o furo atingir cerca de 10-15 mm, introduzir a broca de coroa na ranhura existente e começar a furar com velocidade lenta.

Furos, que não necessitem de ser apontados com precisão, podem ser executados sem broca de centragem. Para tal, inclinar a broca de coroa e endireitar lentamente a máquina a partir de uma profundidade de corte de cerca de 5 mm. (Só possível com brocas de coroa curtas.)

Se a broca ficar solta, retire a coroa do material e retire a broca.

Uma broca de coroa afiada é de utilização mais fácil e fura mais rapidamente. Possibilidades de afiar: Em arenito calcário ou numa pedra de afiar

MANUTENÇÃO

Manter desobstruídos os rasgos de ventilação na carcaça da máquina.

Se a máquina for principalmente usada para furação com percussão, remova com regularidade a poeira acumulada na bucha. Para remover a poeira segure a máquina com a bucha a apontar para baixo verticalmente, e abra e feche completamente a bucha. A poeira acumulada irá cair da bucha.

É recomendável usar regularmente um dispositivo de limpeza (ref. n.º 4932 6217 19). Para as garras de aperto e para as limalhas das mesmas.

Se o cabo de alimentação eléctrica estiver danificado, este deverá ser substituído junto de um serviço de assistência ao cliente dado, que será necessário utilizar ferramentas especiais.

Utilizar unicamente acessórios e peças sobressalentes da Milwaukee. Sempre que a substituição de um componente não tenha sido descrita nas instruções, será de toda a conveniência mandar executar esse trabalho a um Serviço de Assistência Milwaukee (veja o folheto Garantia/Endereços de Serviços de Assistência).

A pedido e mediante indicação da referência que consta da chapa de características da máquina, pode requerer-se um desenho explosivo da ferramenta eléctrica a: Techtronic Industries GmbH, Max-Eyth-Straße 10, 71364 Winnenden, Germany.

SYMBOLE



ATENÇÃO! PERIGO!



Antes de efectuar qualquer intervenção na máquina, tirar a ficha da tomada.



Leia atentamente o manual de instruções antes de colocar a máquina em funcionamento.



Acessório - Não incluído no equipamento normal, disponível como acessório.



Resíduos de equipamentos eléctricos e electrónicos (EEE) não devem ser descartados com o lixo doméstico. EEE devem ser recolhidos e descartados separadamente. Remova as luzes antes de descartar os equipamentos. Informe-se sobre os centros de reciclagem e os postos de coleta nas autoridades locais ou no seu vendedor autorizado. Dependendo dos regulamentos locais, os retalhistas podem ser obrigados a retomar gratuitamente os resíduos de equipamentos eléctricos e electrónicos. Contribua a reduzir as necessidades de matérias-primas, reutilizando e reciclando os seus resíduos de equipamentos eléctricos e electrónicos. Resíduos de equipamentos eléctricos e electrónicos contêm materiais valiosos e reutilizáveis que podem ter efeitos negativos para o meio ambiente e a sua saúde se não forem descartados ecologicamente. Apague eventuais dados pessoais existentes no seu resíduo de equipamento antes de descartá-lo.



Ferramenta eléctrica da classe de protecção II. Ferramenta eléctrica, na qual a protecção contra choque eléctrico não só depende do isolamento básico, mas também da aplicação de medidas de protecção suplementares, como isolamento duplo ou reforçado. Não há um dispositivo para a conexão dum condutor de protecção.

n_0

Velocidade em vazio

V

Tensão



Corrente alternada



Marca de Conformidade Europeia



Marca de Conformidade Britânica



Regulatory Compliance Mark (RCM). O produto satisfaz os regulamentos vigentes.



Marca de Conformidade Ucraniana



Marca de Conformidade Eurasiática

Productienummer	3686 91 05...
	...000001-999999
Nominaal afgegeven vermogen.....	1500 W
Afgegeven vermogen	820 W
Onbelast toerental in stand 1.....	0-1500 min ⁻¹
Onbelast toerental in stand 2.....	0-3000 min ⁻¹
Belast toerental max. in stand 1.....	890 min ⁻¹
Belast toerental max. in 2e versnelling.....	1770 min ⁻¹
Aantal slagen max.....	48000 min ⁻¹
Boor-Ø in 1e versnelling.....	80-162 mm
Boor-Ø in 2e versnelling.....	32-90 mm
Booras	M18
Spanhals-Ø	57 mm
Gewicht volgens de EPTA-procedure 01/2014.....	4,2 kg

Geluidsinformatie

Meetwaarden vastgesteld volgens EN 62841.

Het kenmerkende A-gewogen geluidsniveau van de machine bedraagt:

Geluidsdruk niveau (Onzekerheid K=3dB(A))	100 dB (A)
Geluidsvermogen niveau (Onzekerheid K=3dB(A))	111 dB (A)

Draag oorbeschermers!

Trillingsinformatie

Totale trillingswaarden (vectorsom van drie richtingebepaald volgens EN 62841.

Trillingsemisiewaarde a_h

Boren in metaal	2,3 m/s ²
Onzekerheid K=.....	1,5 m/s ²
Slagboren in beton	18,3 m/s ²
Onzekerheid K=.....	1,5 m/s ²
Slagboren in beton Met diamant-boorkroon	14,8 m/s ²
Onzekerheid K=.....	1,5 m/s ²

WAARSCHUWING

De in dit informatieblad vermelde trillings- en geluidsniveaus zijn gemeten in overeenstemming met een standaard testmethode conform EN 62841 en kunnen worden gebruikt om gereedschap met elkaar te vergelijken. Deze kunnen ook worden gebruikt voor het vooraf evalueren van de blootstelling.

De vermelde trillings- en geluidsniveaus gelden voor de meest gebruikelijke toepassingen van het gereedschap. Wanneer het gereedschap echter voor andere doeleinden of met andere hulpstukken gebruikt wordt of niet naar behoren onderhouden wordt, kan de mate van blootstelling over de hele werkperiode aanzienlijk hoger uitvallen.

Voor een nauwkeurige inschatting van de blootstelling aan trillingen en geluid moet ook de tijd in aanmerking worden genomen die het apparaat uitgeschakeld is of weliswaar loopt, maar niet werkelijk in gebruik is. Dit kan de waarde van de mate aan blootstelling over de hele werkperiode aanzienlijk verminderen.

Bepaal extra veiligheidsmaatregelen ter bescherming van de gebruiker tegen de gevolgen van trillingen en/of geluid, bijvoorbeeld: onderhoud van het gereedschap en hulpstukken, warmhouden van de handen, organisatie van de werkprocessen.

WAARSCHUWING! Lees alle veiligheidsaanschuwingen, voorschriften, afbeeldingen en specificaties voor dit elektrische gereedschap. Als de onderstaande waarschuwingen niet worden opgevolgd, kan dit een elektrische schok, brand of ernstig letsel tot gevolg hebben. Bewaar alle waarschuwingen en voorschriften voor toekomstig gebruik.

VEILIGHEIDSLINSTRUCTIES VOOR DIAMANTBOORMACHINES

Veiligheidsinstructies voor alle bewerkingen

Houd het elektrisch gereedschap vast aan de geïsoleerde greepoppervlakken, omdat het mogelijk is om het netsnoer van de machine door te knippen met de snijaccessoire. De snijaccessoires of bevestigingen die contact maken met spanningvoerende bedrading kan onbeschermde metalen delen van het elektrische gereedschap ook 'onder stroom zetten' en de gebruiker blootstellen aan elektrische schokken.

Gebruik de bij de machine geleverde zijhandgreep. Verlies aan controle kan tot persoonlijk letsel leiden.

Houd het apparaat vóór begin van de werkzaamheden goed vast aan de daarvoor bestemde handgreep. Dit apparaat genereert een hoog uitgaand koppel en als u het tijdens het bedrijf niet goed vasthoudt, kunt u wellicht de controle over het apparaat verliezen en gewond raken.

Veiligheidsinstructies voor het gebruik van lange boorgereedschappen

Gebruik nooit een hoger toerental dan het maximale toerental dat voor de boor is aangegeven. Bij hogere toerentallen kan de boor verbuigen als hij draait zonder contact te maken met het werkstuk, hetgeen kan leiden tot persoonlijk letsel.

Start het apparaat altijd met een lager toerental en alleen als de boor contact maakt met het werkstuk. Bij hogere toerentallen kan de boor verbuigen als hij draait zonder contact te maken met het werkstuk, hetgeen kan leiden tot persoonlijk letsel.

Oefen alleen in een directe lijn druk uit op de boor en druk niet te hard tijdens het boren. Door te hoge druk kunnen boren verbuigen en breken of kunt u de controle over het apparaat verliezen, hetgeen wederom kan leiden tot persoonlijk letsel.

De geïntegreerde slipkoppeling wordt alléén geactiveerd in geval van plotselinge blokkering, gebruik daarom steeds de extra handgreep.

Draag veiligheidsuitrusting. Bij werkzaamheden met de machine dient u altijd een veiligheidsbril te dragen. Veiligheidskleding zoals stofmasker, veiligheidshandschoenen, stevig en slipvast schoeisel, helm en gehoorbescherming worden aanbevolen.

Het gedurende het werken vrijkomende stof is doorgaans schadelijk voor de gezondheid en mag niet met het lichaam in aanraking komen. Draag derhalve een geschikt stofbeschermsmasker.

Het is niet toegestaan, materialen te bewerken waarvan een gezondheidsgevaar uitgaat (bijv. asbest).

Schakel het apparaat onmiddellijk uit als het gereedschap blokkeert! Schakel het apparaat niet in zolang het gereedschap geblokkeerd is; dit zou een terugslag met een hoog reactiemoment kunnen veroorzaken. Achterhaal en verhelp de oorzaak voor de blokkering van het gereedschap met inachtneming van de veiligheidsinstructies.

Mogelijke oorzaken voor de blokkering:

- kantelen in het te bewerken werkstuk
- doorbreken van het te bewerken materiaal
- overbelasting van het elektrische gereedschap

Grijp niet in de lopende machine.

Het gereedschap kan heet worden tijdens het gebruik.

WAARSCHUWING! Gevaar voor verbranding

- bij het vervangen van het gereedschap
- bij het neerleggen van het apparaat

Spanen of splinters mogen bij draaiende machine niet worden verwijderd.

Snoer altijd buiten werkbereik van de machine houden.

Bij het werken in wanden, plafonds of vloeren oppassen voor elektriciteitsdraden, gas- of waterleidingen.

Borg uw werkstuk met behulp van een spaninrichting. Niet geborgde werkstukken kunnen ernstig letsel en grote schade veroorzaken.

Voor alle werkzaamheden aan de machine de stekker uit de kontaktdoos trekken.

Bij werken met grote boordiameters dient de extra handgreep in een rechte hoek met de hoofdhandgreep te worden bevestigd (zie tevens illustraties, sectie "Handgreep verdraaien").

VOORGESCHREVEN GEBRUIK VAN HET SYSTEEM

De diamantboormachine is geschikt voor het boren met diamant-droogboorkronen. Met aangebrachte werktuigklem is de machine geschikt voor het slagboren in steen en voor het boren in hout en staal. De machine is niet geschikt voor het natboren in beton.

Dit apparaat uitsluitend gebruiken voor normaal gebruik, zoals aangegeven.

Wij als fabrikant verklaren in uitsluitende verantwoording dat het onder 'Technische gegevens' beschreven product overeenstemt met alle relevante voorschriften van de richtlijnen 2011/65/EU (RoHS), 2014/30/EU, 2006/42/EG en de volgende geharmoniseerde normatieve documenten:

- EN 62841-1:2015
- EN 62841-2-1:2018+A11:2019
- EN 55014-1:2017+A11:2020
- EN 55014-2:2015
- EN 61000-3-2:2014
- EN 61000-3-3:2013
- EN IEC 63000:2018

Winnenden, 2021-01-20



Alexander Krug
Managing Director



Gemachtigd voor samenstelling van de technische documenten

Technronic Industries GmbH
Max-Eyth-Straße 10
71364 Winnenden
Germany

NETAANSLUITING

Verplaatsbaar gereedschap moet bij het gebruik buiten aan een aardlekschakelaar (FI,RCD,PRCD) aangesloten worden.

Uitsluitend op éénfase-wisselstroom en uitsluitend op de op het typeplaatje aangegeven netspanning aansluiten. Aansluiting is ook mogelijk op een stekerdoos zonder aardcontact mogelijk, omdat het is ontworpen volgens veiligheidsklasse II.

Machine alleen uitgeschakeld aan de stekerdoos aansluiten.

HERSTARTBEVEILIGING

Nulspanningsschakelaar voorkomt herstarten van de machine na stroomuitval. Bij hervatten van de werkzaamheden de machine eerst uitschakelen en vervolgens weer aanzetten.

BELASTINGSAFHANKIJKE BESCHERMING VAN DE MOTOR

De machine loopt langzaam, zodat de motor wikkelling gekoeld wordt. Eerst wanneer voldoende koeling is opgetreden, is het weer moge luk de machine in te schakelen, hiervoor machine uit- en inschakelen.

SOFTSLAG

Al aangelang het te bewerken materiaal, kan de "softslag" de boortijd aanzienlijk verkorten en tot een langere levensduur van de diamantsegmenten bijdragen.

ARBEIDSLINSTRUCTIES

Voor het bereiken van een grotere boorkapaciteit na ca. 10-15 mm boordiepte de centreerboor eruit nemen, boorkroon in de daarvoor geschikte rails plaatsen en de machine langzaam laten aanlopen.

Boringen die niet exakt aangezet hoeven te worden, kunnen zonder centreerboor worden uitgevoerd. Daartoe de boorkroon schuin aanzetten en vanaf een boordiepte van ca. 5 mm de machine langzaam recht richten (alléén bij korte boorkronen mogelijk).

Wanneer de boorkroon los gaat, boorkroon uit het materiaal trekken en boorkern verwijderen.

Een aangescherpte boorkroon verlicht het gebruik en de voorvoortgang. Aanscherpmogelijkheden: in kalkzandsteen of in een scherpe plaat

ONDERHOUD

Altijd de luchtspleten van de machine schoonhouden.

Bij intensief slagboorwerk de boorhouder regelmatig van stof 'bevrijden'. Hiervoor de machine met de boorhouder loodrecht naar beneden houden en de boorhouder dan over het totale spanbereik openen en sluiten. Het verzamelde stof valt zo uit de boorhouder.

Regelmatische toepassing van reinigingsspray (artikelnummer 4932-6217-19) op de spanbekken en spanbekkenboringen wordt aanbevolen.

Wanneer de netkabel beschadigd is, moet deze door een klantenservice worden vervangen, omdat daarvoor speciaal gereedschap vereist is.

Alleen Milwaukee toebehoren en onderdelen gebruiken. Onderdelen welke niet vermeld worden, kunnen het beste door de Milwaukee servicedienst verwisseld worden (zie Serviceadressen).

Onder vermelding van het nummer op het machineplaatje is desgewenst een doorsnedetekening van de machine verkrijgbaar bij: Techtronic Industries GmbH, Max-Eyth-Straße 10, 71364 Winnenden, Germany.

SYMBOLEN



OPGELET! WAARSCHUWING! GEVAAR!



Voor alle werkzaamheden aan de machine de stekker uit de kontaktdoos trekken.



Graag instructies zorgvuldig doorlezen vóórdat u de machine in gebruik neemt.



Toebehoren - Wordt niet meegeleverd. Is apart leverbaar. Zie hiervoor het toebehorenprogramma.



Afgedankte elektrische en elektronische apparatuur mogen niet samen via het huisafval worden afgevoerd. Afgedankte elektrische en elektronische apparatuur moeten gescheiden ingezameld en afgevoerd worden. Verwijder de verlichtingsmiddelen uit de apparatuur voordat u deze afvoert. Informeer bij uw gemeente of bij uw vakhandelaar naar recyclingbedrijven en inzamelpunten. Al naargelang de lokaal van toepassing zijnde voorschriften kunnen detailhandelaren verplicht zijn om afgedankte elektrische en elektronische apparatuur kosteloos terug te nemen. Geef uw afgedankte elektrische en elektronische apparatuur af voor recycling en help zo mee om de behoefte aan grondstoffen te verminderen. Afgedankte elektrische en elektronische apparatuur bevatten waardevolle, recyclebare materialen die, mits ze niet milieuvriendelijk worden afgevoerd, negatieve gevolgen kunnen hebben voor het milieu en uw gezondheid. Verwijder persoonlijke gegevens van uw afgedankte apparatuur voordat u deze afvoert.



Elektrisch gereedschap van de beschermingsklasse II. Elektrisch gereedschap waarbij de bescherming tegen elektrische schokken niet afhankelijk is van de basisisolatie, maar waarin ook extra veiligheidsmaatregelen worden toegepast zoals dubbele of versterkte isolatie. Er is geen voorziening voor de aansluiting van een aardleiding.



Onbelast toerental



Spanning



Wisselstroom



Europees symbool van overeenstemming



Brits symbool van overeenstemming



Regulatory Compliance Mark (RCM). Het product voldoet aan de van toepassing zijnde voorschriften.



Oeko-tex symbool van overeenstemming



Euro-Aziatisch symbool van overeenstemming

TEKNISCHE DATA

DIAMANTBOREMASKINE

DD2-160 XE (220-240V)

Produktionsnummer	3686 91 05... ...000001-999999
Nominel optagen effekt.....	1500 W
Afgiven effekt.....	820 W
Omdreijningstal, ubelastet i 1. gear.....	0-1500 min ⁻¹
Omdreijningstal, ubelastet i 2. gear.....	0-3000 min ⁻¹
Omdreijningstal max., belastet i 1. gear.....	890 min ⁻¹
Omdreijningstal max., belastet i 2. gear.....	1770 min ⁻¹
Slagantal max.....	48000 min ⁻¹
Bor-ø i 1. gear	80-162 mm
Bor-ø i 2. gear	32-90 mm
Borespindel.....	M18
Halsdiameter	57 mm
Vægt svarer til EPTA-procedure 01/2014.....	4,2 kg

Støjinformation

Måleværdier beregnes iht. EN 62841.

Værktøjets A-vurderede støjniveau er typisk:

Lydtrykniveau (Usikkerhed K=3dB(A)) 100 dB (A)

Lydeffekt niveau (Usikkerhed K=3dB(A)) 111 dB (A)

Brug høreværn!

Vibrationsinformation

Samlede vibrationsværdier (værdisum for tre retninger) beregnet iht. EN 62841.

Vibrationseksponering a_h

Boring i metal..... 2,3 m/s²

Usikkerhed K=..... 1,5 m/s²

Slagboring i beton..... 18,3 m/s²

Usikkerhed K=..... 1,5 m/s²

Slagboring i beton med diamantborekrone..... 14,8 m/s²

Usikkerhed K=..... 1,5 m/s²

ADVARSEL

Det vibrations- og støjemissionsniveau, der nævnes i dette oplysnings-skema, er blevet målt i overensstemmelse med en standardiseret test fra EN 62841, og det kan bruges til at sammenligne ét værktøj med et andet. Det kan bruges til en foreløbig bedømmelse af eksponeringen.

Det erklærede vibrations- og støjemissionsniveau repræsenterer værktøjets primære anvendelsesformål. Det er dog sådan, at hvis værktøjet bruges til andre formål, med forskelligt tilbehør eller dårlig vedligehold, så kan vibrations- og støjemissionen variere. Det kan evt. øge eksponeringsniveauet markant i løbet af det samlede arbejdstidsrum.

En vurdering af eksponeringsniveauet ift. vibration og støj bør også tage hensyn til de tidspunkter, hvor værktøjet er slukket eller hvor det kører, men rent faktisk ikke udfører jobbet. Det kan evt. mindske eksponeringsniveauet markant i løbet af det samlede arbejdstidsrum.

Identificér yderligere sikkerhedsforanstaltninger med henblik på at beskytte brugeren mod effekten af vibration og/eller støj, som fx: vedligehold værktøjet og tilbehøret, hold hænderne varme, organisering af arbejdsmønstre.



ADVARSEL Læs alle advarselsinformationer, anvisninger, figurer og specifikationer, som følger med dette el-værktøj. En manglende overholdelse af alle nedenstående anvisninger kan medføre elektrisk stød, brand og/eller alvorlige kvæstelser. Opbevar alle advarselshenvisninger og instrukser til senere brug.

SIKKERHEDSINSTRUKTIONER FOR DIAMANTBOREMASKINE

Sikkerhedsanvisninger for alle brugssituationer

Hold på elværktøjet ved de isolerede grebsoverflader, når der udføres noget arbejde, hvor skæretilbehøret eller fastgørelsesmidlerne kan komme i kontakt med skjulte kabler eller værktøjets egen ledning. Hvis skæretilbehør eller fastgørelsesmidler kommer i kontakt med strømførte ledninger, kan dette forårsage, at udsatte metaldele på elværktøjet bliver strømførende, og føre til elektrisk stød for brugeren.

Brug de ekstra håndtag, som følger med apparatet. Hvis kontrollen mistes, kan det medføre personskaade.

Hold godt fast i det dertil indrettede greb, inden du påbegynder arbejdet. Dette værktøj producerer et stort drejningsmoment, og hvis du ikke holder godt fast i

værktøjet under arbejdet, er der risiko for at miste kontrollen over værktøjet og komme til skade.

Sikkerhedsoplysninger vedrørende brug af lange bor

Brug aldrig en højere omdrejningshastighed end den omdrejningshastighed, som er angivet som den maksimale for borepatronen. Ved højere hastigheder er der risiko for, at borepatronen bøjer, hvis den får lov til at dreje uden at have kontakt til arbejdsemnet, hvilket kan forårsage personskaade.

Start altid med en lav omdrejningshastighed, mens borepatronen får kontakt med arbejdsemnet. Ved højere hastigheder er der risiko for, at borepatronen bøjer, hvis den får lov til at dreje uden at have kontakt til arbejdsemnet, hvilket kan forårsage personskaade.

Læg altid kun pres på i lige linje til borepatronen og pres ikke for hårdt. Borepatronen kan bøje og brække af eller medføre tab af kontrol over værktøjet, hvilket kan forårsage personskaade.

YDERLIGERE SIKKERHEDS- OG ARBEJDSINFORMATIONER

Den indbyggede glidekobling reagerer kun ved stødvis blokering, brug derfor altid hjælpegrebet.

Brug beskyttelsesudstyr. Bær altid sikkerhedsbriller, når du arbejder med maskinen. Vi anbefaler desuden brug af personlig beskyttelsesudrustning, såsom støvmasker, sikkerhedshandsker, fast og skridsikkert skotøj, hjelm og høreværn.

Støv, som opstår under arbejdet, er ofte sundhedsfarligt og bør ikke trænge ind i kroppen. Benyt egnet åndedrætsværn.

Der må ikke bearbejdes nogen materialer, der kan udgøre en sundhedsrisiko (f.eks. asbest).

Sluk straks for maskinen, hvis indsatsværktøjet er blokeret! Tænd ikke for maskinen igen, så længe indsatsværktøjet er blokeret; dette kan føre til et tilbageslag med højt reaktionsmoment. Find frem til og afhjælp årsagen til indsatsværktøjets blokering under hensyntagen til sikkerhedsinstruktionerne.

Mulige årsager hertil kan være:

- at det sidder i klemme i emnet der bearbejdes
- at det har brækket materialet der bearbejdes
- at el-værktøjet er overbelastet

Grib ikke ind i maskinen, når den kører.

Indsatsværktøjet kan blive varmt under brugen.

ADVARSEL! Fare for forbrændinger

- ved værktøjsskift
- når man lægger maskinen fra sig

Spåner eller splinter må ikke fjernes, medens maskinen kører.

Tilslutningskablet holdes hele tiden væk fra maskinens arbejdsområde. Kablet ledes altid bort bag om maskinen.

Ved arbejdeboring i væg, loft eller gulv skal man passe på elektriske kabler, gas- og vandledninger.

Sørg for at sikre dit emne med en spændeanordning. Ikke sikrede emner kan forårsage alvorlige kvæstelser og beskadigelser.

Før ethvert arbejde ved maskinen skal stikket tages ud af stikdåsen.

Ved store borediametre skal ekstrahåndtaget fastgøres i en ret vinkel til hovedhåndtaget. Se også i billeddelen, afsnit "Håndtag drejes".

TILTÆNKT FORMÅL

Diamantboremaskinen kan anvendes til boring med diamant-tørboringskroner. Med påsat borepatron er maskinen

velegnet til slagboring i stenmateriale og boring i træ og stål. Maskinen er ikke beregnet til vådboring i beton.

Produktet må ikke anvendes på anden måde og til andre formål end foreskrevet.

EF-OVERENSSTEMMELSESERKLÆRING

Vi erklærer som producent og eneansvarlig, at produktet, der er beskrevet under "Tekniske data", er i overensstemmelse med alle relevante bestemmelser i henhold til direktiverne 2011/65/EU (RoHS), 2014/30/EU, 2006/42/EF og nedenstående harmoniserede normative dokumenter:

EN 62841-1:2015
EN 62841-2-1:2018+A11:2019
EN 55014-1:2017+A11:2020
EN 55014-2:2015
EN 61000-3-2:2014
EN 61000-3-3:2013
EN IEC 63000:2018

Winnenden, 2021-01-20



Alexander Krug
Managing Director



Autoriseret til at udarbejde de tekniske dokumenter.

Techtronic Industries GmbH
Max-Eyth-Straße 10
71364 Winnenden
Germany

NETTILSLUTNING

Stikdåser uden dør skal være forsynet med fejlstrømssikringskontakter (FI, RCD, PRCD). Det forlanger installationsforskriften for Deres elektroanlæg. Overhold dette, når De bruger vores maskiner.

Tilslutning må kun foretages til enfaset vekselstrøm og kun til en netspænding, som er i overensstemmelse med angivelsen på mærkepladen. Tilslutning kan også ske til stikdåser uden beskyttelseskontakt, da kapslingsklasse II foreligger.

Tilslut kun maskine til stikdåsen i slukket tilstand.

GENSTARTSBESKYTTELSE

En nulspændingsafbryder forhindrer, at maskinen genstarter efter strømudfald. Ved genoptagelsen af arbejdet skal maskinen slukkes og tændes igen.

BELASTNINGSAFHÆNGIG MOTORVÆRN

Overbelastningssikringen er afhængig af motorens belastning. Maskine vil rotere langsomt for at afkøle motoren. Efter tilstrækkelig afkøling kan maskinen igen startes, ved at skifte mellem "off" og "on".

BLØDANSLAG

Afhængig af arbejdsemnet kan bløddanslaget bevirke en betydelig reducere af boretiden eller en længere levetid for diamantsegmenterne.

ARBEJDSANVISNINGER

For at opnå en større fremadskridende boring efter ca 10-15 mm boreddybde tages centrerings- boret ud. Borekronen indsættes i RIII, og man lader maskinen starte langsomt.

Boringer, der ikke skal placeres nøjagtigt, kan gennemføres uden centreringsbor. I denne for-bindelse placeres borekronen skråt, og maskinen justeres langsomt lige fra en boreddybde på ca. 5 mm. (Kun muligt med korte borekroner).

Såfremt borekærner løsner sig, trækkes borekronen ud af materialet, og borekærner fjernes.

En slebet borekrone gør brugen og den fremadskri-dende boring lettere. Slibemuligheder: I kaiksandsten eller i en slibeplade

VEDLIGEHOLDELSE

Hold altid maskinens ventilationsåbninger rene.

Ved hyppig slagboredrift bør borepatronen renses regelmæssigt for støv. Dette gøres ved at borepatronen på maskinen holdes lodret nedad og åbne og lukke borepatronen i hele spændområdet. På denne måde falder støvet ud af borepatronen.

Det anbefales at benytte rengøringspray jævnlige (id.nr. 4932 6217 19) ved spændekæberne og spændekæbehullerne.

Hvis nettilslutningsledningen bliver beskadiget, skal den udskiftes hos kompetent kundeservice, idet dette kræver specielt værktøj.

Brug kun Milwaukee tilbehør og reservedele. Lad de komponenter, hvis udskiftning ikke er blevet beskrevet, udskifte hos Milwaukee service (se kundeserviceadresser).

Ved opgivelse af type nr. der er angivet på maskinens effektskilt, kan de rekvirere en reservedelstegning, ved henvendelse til: Techtronic Industries GmbH, Max-Eyth-Straße 10, 71364 Winnenden, Germany.

SYMBOLER



VIGTIGT! ADVARSEL! FARE!



Før ethvert arbejde ved maskinen skal stikket tages ud af stikdåsen.



Læs brugsanvisningen nøje før ibrugtagning.



Tilbehør - Ikke inkluderet i leveringsomfanget, køb købes som tilbehør.



Affald af elektrisk og elektronisk udstyr må ikke bortskaffes sammen med husaffald. Affald af elektrisk og elektronisk udstyr skal indsamles og bortskaffes særskilt. Fjern lysmidler fra udstyret, inden det bortskaffes. Spørg efter genbrugsstationer og indsamlingssteder hos de lokale myndigheder eller din fagforhandler. Alt efter de lokale bestemmelser kan detailhandlende være forpligtede til gratis at tage affald af elektrisk og elektronisk udstyr tilbage. Bidrag til at nedbringe behovet for råmaterialer ved at genbruge og genanvende dit affald af elektrisk og elektronisk udstyr. Affald af elektrisk og elektronisk udstyr indeholder værdifulde, genanvendelige materialer, som kan have en negativ effekt på miljøet og dit helbred ved ikke miljørigtig bortskaffelse. Slet inden bortskaffelsen personrelaterede data, som måtte finde sig på dit affald af udstyret.



Kapslingsklasse II elværktøj. Elværktøj, hvor beskyttelsen mod et elektrisk stød ikke kun afhænger af basisisoleringen men også af, at der anvendes yderligere beskyttelsesforanstaltninger som dobbelt isolering eller forstærket isolering. Der findes ikke udstyr til tilslutning af en beskyttelsesleder.

	Omdrejningstal, ubelastet
	Spænding
	Vekselstrøm
	Europæisk konformitetsmærke
	Britisk konformitetsmærke
	Regulatory Compliance Mark (RCM). Produktet opfylder de gældende bestemmelser.
	Ukrainsk konformitetsmærke
	Eurasisk konformitetsmærke

TEKNISKE DATA	DIAMANTBORMASKIN	DD2-160 XE (220-240V)
Produksjonsnummer.....	3686 91 05...	...000001-999999
Nominell inngangseffekt	1500 W	
Avgitt effekt	820 W	
Tomgangsturtall i 1. gir	0-1500 min ⁻¹	
Tomgangsturtall i 2. gir	0-3000 min ⁻¹	
Lastturtall maks. i 1. gir	890 min ⁻¹	
Lastturtall maks. i 2. gir	1770 min ⁻¹	
Slagfall maks.	48000 min ⁻¹	
Bor-ø i: 1. gir	80-162 mm	
Bor-ø i: 2. gir	32-90 mm	
Borspindel.....	M18	
Spennhals-ø	57 mm	
Vekt i henhold til EPTA-Prosedyren 01/2014.....	4,2 kg	

Støyinformasjon

Måleverdier fastslått i samsvar med EN 62841.

Det typiske A-bedømte støynivået for maskinen er:

Lydtrykknivå (Usikkerhet K=3dB(A))..... 100 dB (A)

Lydeffektnivå (Usikkerhet K=3dB(A))..... 111 dB (A)

Bruk hørselsvern!

Vibrasjonsinformasjoner

Totale svingningsverdier (vektorsum fra tre retninger)

beregnet jf. EN 62841.

Svingningsemissjonsverdi a_h

Boring i metall..... 2,3 m/s²

Usikkerhet K=..... 1,5 m/s²

Slagboring i betong..... 18,3 m/s²

Usikkerhet K=..... 1,5 m/s²

Slagboring i betong med diamantborkrone..... 14,8 m/s²

Usikkerhet K=..... 1,5 m/s²

ADVARSEL

De angitte vibrasjonseksponering- og støynivåverdiene har blitt målt i samsvar med standardiserte målemetoder jmfør EN 62841 og kan brukes til å sammenligne et verktøy med et annet. De kan brukes til en foreløpig eksponeringsvurdering.

De angitte vibrasjonseksponering- og støyemissionsverdiene gjelder for vanlig bruk av verktøyet. Dersom verktøyet blir brukt til noe annet, sammen med annet utstyr eller er dårlig vedlikeholdt kan de angitte vibrasjonseksponering- og støyeverdiene variere. Dette kan øke eksponerings- og emisjonsverdiene betraktelig for hele perioden du bruker verktøyet.

Når en vurderer vibrasjonseksponeringsnivået og støyeverdi må en inkludere den perioden som verktøyet er slått av eller når verktøyet går, men ikke direkte brukes til noe. Dette kan redusere eksponeringsnivået betraktelig over hele perioden som verktøyet er i bruk.

Det er viktig å etablere ytterligere sikkerhetstiltak for å beskytte brukeren mot påvirkning av vibrasjon og/eller støy, slik som: vedlikehold av verktøyet og tilleggsutstyr, hold hendene varme, organiserte arbeidsrutiner.

ADVARSEL! Les gjennom alle sikkerhets advarsler, anvisninger, illustrasjoner og spesifikasjoner for dette elektroverktøyet. Feil ved overholdelsen av advarslene og nedenstående anvisninger kan medføre elektriske støt, brann og/eller alvorlige skader.

Ta godt vare på alle advarslene og informasjonene.

SIKKERHETSINNSTRUKSER FOR DIAMANTBORMASKIN

Sikkerhetsregler for alle arbeider

Hold elektroverktøyet i de isolerte håndtakene når du bruker det på steder der kutteenheten eller fester kan komme i kontakt med skjulte ledninger eller egen strømledning. Dersom kutteenheten eller fester kommer i kontakt med en strømførende ledning, kan også ubeskyttede metalldeleler bli strømførende og dermed utsette brukeren for elektrisk støt.

Bruk de med apparatet medleverte tileggshandtak. Tap av kontrollen kan føre til skader.

Hold apparatet godt fast i det tilhørende håndtaket før arbeidet begynner. Dette apparatet genererer et høyt utgangs-dreiemoment, og dersom du ikke holder det godt fast under arbeidet, kan du miste kontrollen over det og skade deg.

Sikkerhetsinstrukser til bruk av lange borchucks

Bruk aldri et høyere turtall enn maksimalt turtall som er angitt for borkronen. Ved høyere turtall kan borkronen bli bøyd når den roterer uten kontakt med arbeidsstykket, noe som igjen kan føre til personskade.

Start alltid med et lavt turtall og mens borkronen er i kontakt med arbeidsstykket. Ved høyere turtall kan borkronen bli bøyd når den roterer uten kontakt med arbeidsstykket, noe som igjen kan føre til personskade.

Utøv trykk bare i direkte posisjon mot borkronen, og ikke trykk for hardt. Borkroner kan bøye seg og brette, og dette kan igjen føre til at du mister kontrollen over apparatet, slik at det kan oppstå personskade.

YTTERLIGE SIKKERHETS- OG ARBEIDSINNSTRUKSJONER

Den innebygde friksjonskoblingen reagerer bare ved rykkevis blokkering; bruk derfor alltid tilleggshåndtaket.

Bruk vernebekledning. Ta alltid på vernebrille ved bruk av maskinen. Vernebekledning så vel som støvmaske, vernehansker, fast og sklissikkert skotøy, hjem og hørselsvern er anbefalt.

Støvet som oppstår ved arbeidet er ofte helsefarlig og skal ikke komme i kontakt med kroppen. Bruk derfor vernemaske som er egnet for støv.

Materialer som er helsefarlig skal ikke bearbeides (f.eks. asbest)

Slå av apparatet med en gang dersom det isatte verktøyet er blokkert! Ikke slå apparatet på igjen så lenge det isatte verktøyet er blokkert; her kan det oppstå et tilbakeslag med høyt reaksjonsmoment. Finn ut hvorfor det isatte verktøyet blokkerer og fjern årsaken til dette. Ta herved hensyn til sikkerhets instruksene.

Mulige årsaker til dette kan være:

- det har forkantet seg i arbeidsemnet som bearbeides
- det har brekt igjennom materialet som bearbeides
- elektroverktøyet er overbelastet

Ikke grip inn i maskinen når den står på og går.

Isatt verktøy kan i bruk bli veldig varmt.

ADVARSEL! Fare for forbrenning

- ved skifting av verktøy
- når apparatet legges ned

Spon eller fliser må ikke fjernes mens maskinen er i gang.

Hold ledningen alltid vekk fra maskinens virkeområde. Før ledningen alltid bakover fra maskinen.

Pass på kabler, gass- og vannledninger når du arbeider i vegger, tak eller gulv.

Klem fast arbeidsemnet med en spenninnetning. Ikke sikre arbeidsemner kan ha alvorlige helseskader og skader av material til følge.

Trekk støpslet ut av stikkkontakten før du begynner arbeider på maskinen.

Ved store borediametere må ekstrahåndtaket være festet i rett vinkel til hovedhåndtaket. Se også **billedelen, avsnitt "Vri håndtaket"**.

FORMÅLSMESSIG BRUK

Diamantbormaskinen kan brukes til boring med diamant - tørrborkroner. Med påsatt borpatorn er maskinen egnet til slagboring i stein og til boring i tre og stål. Maskinen er ikke egnet for våtboring i betong.

Dette apparatet må kun brukes til de oppgitte formål.

EU-SAMSVARERKLÆRING

Vi erklærer under eget ansvar at produktet som beskrives under «Tekniske data» samsvarer med alle relevante forskrifter i direktivene 2011/65/EU (RoHS), 2014/30/EF, 2006/42/EF og de følgende harmoniserte normative dokumentene:

EN 62841-1:2015

EN 62841-2-1:2018+A11:2019

EN 55014-1:2017+A11:2020

EN 55014-2:2015

EN 61000-3-2:2014

EN 61000-3-3:2013

EN IEC 63000:2018

Winnenden, 2021-01-20



Alexander Krug
Managing Director



Autorisert til å utarbeide den tekniske dokumentasjonen

Techtronic Industries GmbH

Max-Eyth-Straße 10

71364 Winnenden

Germany

NETTILKOPLING

Stikkontakter utendørs må være utstyrt med feilstrøm-sikkerhetsbryter (FI,RCD,PRCD). Dette forlanges av installasjonsforskriften for elektroanlegg. Vennligst følg dette når du bruker vårt apparat.

Skal bare tilsluttes enfasevekselstrøm og bare til den på skiltet angitte nettspenning. Tilslutning til stikkontakter uten jordet kontakt er mulig fordi beskyttelse beskyttelsesklasse II er forhanden.

Påse at maskinen er slått av når du setter inn nettstøpset i stikkontakten.

Ved lengre tids overbelastning kopler elektronikken ned til redusert turtall. Maskinen går langsomt videre til avkjøling av motorviklingen. Etter utkopling og ny innkopling kan det arbeides videre med maskinen i nominelt lastområde.

Varigheten til avkjølingsfasen er avhengig av graden på overbelastningen.

AUTOMATISK GJENSTARTSBESKYTTELSE

En nullspenningsbryter forhindrer at maskinen starter på nytt igjen etter et strømbrudd. Før neste gangs bruk av maskinen må den først slås av og så slås på igjen.

SOFTSLAG

Avhengig av hvilket material som bearbeides, kan softslaget bevirke en tydelig reduisering av boretiden og bevirke en lengre brukstid av diamantsegmentene.

ARBEIDSIINSTRUKSJONER

For å oppnå større boreframgang, ta ut sentrerboret etter ca 10-15 mm boredybde. Sett borkronen i rennen som er forhanden og la maskinen sakte starte.

Boringer som ikke må være helt eksakte, kan gjennomføres uten sentrerbor. I slike tilfeller plasseres borkronen skrått i posisjon og etter en boredybde av ca. 5 mm rettes maskinen sakte opp. (bare mulig ved bruk av korte borkroner).

Dersom borekjenner løsner, så trekk borkronen ut av materialet og fjern borekjenneren.

En slipt borkrone gjør bruken og boreframgangen lettete. Slipemuligheter: i kalksandstein eller ved bruk av en slipeplate.

VEDLIKEHOLD

Hold alltid luftenåpningene på maskinen rene.

Ved hyppig slagboredrift bør chucken befris regelmessig for støv. Hold da maskinen med chucken loddrett nedover og åpne og lukk chucken over hele spennvidden. Det oppsamlete støvet faller da ut av chucken.

Regelmessig bruk av rengjøringspray (Id.nr. 4932 6217 19) på spennkjevne og spennkjevnehullene anbefales.

Er det skade på nettkabelen, må den skiftes av kundeservice, fordi det behøves spesialverktøy.

Bruk kun Milwaukee tilbehør og reservedeler. Komponenter der utskifting ikke er beskrevet skal skiftes ut hos Milwaukee kundeservice (se brosjyre garanti/ kundeserviceadresser).

Ved behov kan du be om en eksplosjonstegning av apparatet hos din kundeservice eller direkte hos Techtronic Industries GmbH, Max-Eyth-Straße 10, 71364 Winnenden, Germany. Oppgi maskintype og det nummeret på typeskiltet.

SYMBOLER



Euroasiatisk samsvarsmerke

	OBS! ADVARSEL! FARE!
	Trekk støpslet ut av stikkkontakten før du begynner arbeider på maskinen.
	Les nøye gjennom bruksanvisningen før maskinen tas i bruk.
	Tilbehør - inngår ikke i leveransen, anbefalt komplettering fra tilbehørsprogrammet.
	Elektrisk og elektronisk avfall skal ikke avfallshåndteres sammen med husholdningsavfallet. Elektrisk og elektronisk avfall skal samles kildesortert og avfallshåndteres. Fjern lysmiddelet fra apparatene før de kasseres. Be om informasjon hos de lokale myndighetene eller hos din fagforhandler om miljøstasjoner og samlesteder. Avhengig av de lokale bestemmelsene kan detaljhandlere være forpliktet til å ta tilbake elektrisk og elektronisk avfall uten kostnader. Bidra til å redusere behovet for råmaterialer ved å sørge for gjenbruk og resirkulering av ditt elektriske og elektroniske avfall. Elektrisk og elektronisk avfall inneholder verdifulle, gjenbrukbare materialer som ved ikke-miljøriktig avfallshåndtering kan ha negative konsekvenser for miljøet og din helse. Slett først eventuelle personrelaterte data fra det brukte apparatet før det avfallshåndteres.
	Elektroverktøy av verneklasse II. Elektroverktøy hvor beskyttelse mot elektrisk slag ikke bare er avhengig av basisisoleringen, men som også er avhengig av at tilleggs verneiltak som dobbelt eller forsterket isolering blir brukt. Det finnes ingen innretning for tilkobling av en beskyttelsesleder.
n_0	Tomgangsturtall
V	Volt
	Vekselstrøm
	Europeisk samsvarsmerke
	Britisk samsvarsmerke
	Regulatory Compliance Mark (RCM). Produktet oppfyller gjeldende forskrifter.
	Ukrainsk samsvarsmerke
001	

TEKNISKA DATA **DIAMANTBORRMASKIN** **DD2-160 XE (220-240V)**

Produktionsnummer	3686 91 05... ..000001-999999
Nominell upptagen effekt.....	1500 W
Uteffekt	820 W
Obelastat varvtal 1:a växel	0-1500 min ⁻¹
Obelastat varvtal 2:a växel	0-3000 min ⁻¹
Belastat varvtal 1:a växel.....	890 min ⁻¹
Belastat varvtal 2:a växel.....	1770 min ⁻¹
Slagtal max.....	48000 min ⁻¹
Borrdiam. in 1:a växel.....	80-162 mm
Borrdiam. in 2:a växel.....	32-90 mm
Borrspindel	M18
Maskinhals diam.....	57 mm
Vikt enligt EPTA 01/2014	4,2 kg

Bullerinformation

Måtvårdene har tagits fram baserande på EN 62841.

A-värdet av maskinens ljudnivå utgör:

Ljudtrycksnivå (Onoggrannhet K=3dB(A))..... 100 dB (A)

Ljudeffektsnivå (Onoggrannhet K=3dB(A))..... 111 dB (A)

Använd hörselskydd!

Vibrationsinformation

Totala vibrationsvärdet (vektorsumma ur tre riktningar)

framtaget enligt EN 62841.

Vibrationsemissionsvärde a_h

Borring i metall..... 2,3 m/s²

Onoggrannhet K=..... 1,5 m/s²

Slagborring i betong..... 18,3 m/s²

Onoggrannhet K=..... 1,5 m/s²

Slagborring i betong med diamantborrkrona..... 14,8 m/s²

Onoggrannhet K=..... 1,5 m/s²

VARNING

De deklarerade vibrations- och bullernivåerna på detta informationsblad har uppmätts i enlighet med en standardiserad testmetod enligt EN 62841 och kan användas för att jämföra ett verktyg med ett annat. Det kan användas för en preliminär bedömning av exponeringen.

Den angivna vibrations- och bullernivån representerar verktygets huvudsakliga tillämpningar. Om verktyget emellertid används för olika tillämpningar, med olika eller dåligt underhållna tillbehör, kan vibrations- och bullerutsläppet variera. Detta kan öka exponeringsnivån avsevärt över den totala arbetsperioden.

En uppskattning av exponeringsnivån för vibrationer och buller bör även ta hänsyn till de tider då verktyget är avstängt eller när det körs utan att faktiskt arbeta. Detta kan avsevärt minska exponeringsnivån över den totala arbetsperioden.

Identifiera ytterligare säkerhetsåtgärder för att skydda operatören mot effekterna av vibrationer och/eller buller såsom: underhåll av verktyget och tillbehören, hålla händerna varma, organisation av arbetsmönster.

⚠ VARNING! Läs noga igenom alla säkerhetsanvisningar, illustrationer och specifikationer som medföljer detta elverktyg. Fel som uppstår till följd av att anvisningarna nedan inte följts kan orsaka elstöt, brand och/eller allvarliga kroppsskador. **Förvara alla varningar och anvisningar för framtida bruk.**

⚠ SÄKERHETSANVISNINGAR FÖR DIAMANTBORRMASKIN

Säkerhetsanvisningar för alla åtgärder

Håll elverktyget i de isolerade greppytorna då du utför en åtgärd där det skärande tillbehöret eller fästen riskerar att komma i kontakt med dolda ledningar eller den egna nätkablen. Det skärande tillbehöret eller fästen som kommer i kontakt med en strömförande ledning kan göra exponerade metalldelar på kedjesågen strömförande och ge operatören en elektrisk stöt.

Använd de extrahandtag som levereras tillsammans med maskinen. Förlust av kontrollen kan leda till personskador.

Håll innan arbetet påbörjas fast apparaten ordentligt i det därför avsedda handtaget. Den här apparaten genererar ett högt vridmoment och om du inte håller fast

den ordentligt under användningen kan du förlora kontrollen över den och skada dig.

Säkerhetsanvisningar för användning av långa borrhits

Använd aldrig ett högre varvtal än det maximala varvtalet som är angivet för borrhitsen. Vid högre varvtal kan borrhitsens krökas om den roterar utan kontakt mot arbetsstycket, vilket kan leda till personskador.

Starta alltid med ett lågt varvtal och medan borrhitsen har kontakt med arbetsstycket. Vid högre varvtal kan borrhitsens krökas om den roterar utan kontakt mot arbetsstycket, vilket kan leda till personskador.

Utöva alltid tryck bara i direkt inriktning mot borrhitsen och tryck inte alltför hårt. Borrhitsar kan krökas och brytas av eller leda till att användare förlorar kontrollen över apparaten, vilket kan leda till personskador.

ÖVRIGA SÄKERHETS- OCH ANVÄNDNINGSPÅBUD

Den inbyggda slirkopplingen aktiveras endast vid en plötslig blockering, använd därför alltid det extra handtaget.

Använd skyddsutrustning. Använd alltid skyddsglasögon när du använder maskinen. Som skyddsutrustning rekommenderar vi t ex en dammskyddsmask,

skyddshandskar, stabila och halksäkra skor, hjälm och hörselskydd.

Det damm som bildas under arbetets gång är ofta hälsofarligt och det ska inte komma in i kroppen. Bär därför lämplig skyddsmask.

Det är inte tillåtet att bearbeta material som kan vara hälsovadligt (t.ex. asbest).

Stäng av maskinen omedelbart om ett verktyg som används sitter fast! Sätt sedan inte på maskinen igen så länge som verktyget som används fortfarande sitter fast; risk för okontrollerade slag med högt reaktionsmoment. Ta reda på orsaken varför verktyget fastnade och åtgärda orsaken med hänsyn till säkerhetsanvisningarna.

Möjliga orsaker kan vara:

- Verktyget sitter snett i arbetsstycket
- Verktyget går igenom materialet som bearbetas
- Elverktyget är överbelastat

Gå aldrig med händerna in i en maskin som är igång.

Verktyget som används kan bli mycket varmt under användningen.

VARNING! Risk för brännskador

- vid verktygsbyte
- när man lägger ifrån sig maskinen

Avlägsna aldrig spån eller flisor när maskinen är igång.

Nätkabeln skall alltid hållas ifrån arbetsområdet. Lägg kabeln bakåt i förhållande till arbetsriktningen.

Vid arbetenborrning i vägg, tak eller golv, var alltid observant på befintliga el-, gas- eller vattenledningarna.

Säkra arbetsstycket med en fastspänningsanordning. Arbetsstycken som inte är ordentligt fastspända kan leda till allvarig kroppsskada eller annan skada.

Drag alltid ur kontakten när du utför arbeten på maskinen.

När du arbetar med stora borrhålsdiametrar, måste du montera extrahandtaget på höger sida (se illustrationer, avdelning "vrida handtaget").

ANVÄND MASKINEN ENLIGT ANVISNINGARNA

Denna diamantborrmaskin kan användas för borring med diamant-torrborrningskronor. Om man sätter på en borchuck kan maskinen även användas för slagborring i sten eller för att borra i trä och stål. Maskinen lämpar sig däremot inte för våtborring i betong.

Maskinen får endast användas för angiven tillämpning.

EG-FÖRSÄKRAN ÖVERENSSTÄMMELSE

Vi som tillverkare intygar och ansvarar för att den produkt som beskrivs under "Tekniska data" överensstämmer med alla relevanta bestämmelser i direktiv 2011/65/EU (RoHS), 2014/30/EU, 2006/42/EG och följande harmoniserade normerande dokument:

EN 62841-1:2015
EN 62841-2-1:2018+A11:2019
EN 55014-1:2017+A11:2020
EN 55014-2:2015
EN 61000-3-2:2014
EN 61000-3-3:2013
EN IEC 63000:2018

Winnenden, 2021-01-20

Alexander Krug
Managing Director



Befullmäktigad att sammanställa teknisk dokumentation.

Techtronic Industries GmbH
Max-Eyth-Straße 10
71364 Winnenden
Germany

NÄTANSLUTNING

Anslut alltid verktyget till via en felströmbrytare (FI, RCD, PRCD) vid användning utomhus.

Får endast anslutas till 1-fas växelström och till den spänning som anges på dataskylten. Anslutning kan även ske till eluttag utan skyddskontakt, eftersom konstruktionen motsvarar skyddsklass II.

Maskinen skall vara fränslagen när kontakten anslutes till vägguttaget.

ÅTERSTARTSSKYDD

Nollspänningsutlösaren förhindrar att maskinen sätter igång omedelbart efter ett strömavbrott. När arbetet återupptas ska maskinen kopplas från och kopplas till igen.

BELASTNINGSBEROENDE MOTORSKYDD

Överbelastningsskydd som utlöses vid högre belastning. Maskinen fortlöper långsamt för att kyla motorlindningarna. Inte förran tillräcklig kylning åstadkommit är det möjligt att starta maskinen, slå då maskinen av och på igen.

MJUKSLAG

Oberoende av materialet som bearbetas kan mjukslaget leda till en tydlig reducering av borrhålsdjupet eller till en längre livslängd på diamantsegmenten.

ARBETSANVISNINGAR

För att öka sjunkhastigheten, tag efter ca. 10-15 mm bort cetrumborren. Sätt tillbaka borrhålskronan i de redan upptagna spåret och starta långsamt.

Vid borring utan cetrumborr, sätt borrhålskronan snett mot materialet och skär ned ca 5 mm innan kronan rätes upp. (Endast möjligt med korta borrhålskronor)

Lossa borrhålskärnan, drag ur borrhålskronan ur materialet och avlägsna borrhålskärnan.

En slipad borrhålskrona underlättar arbete och resultat. Slipmöjligheter i kalksandsten eller i slipplatta .

SKÖTSEL

Se till att motorhöljets luftslitsar är rena.

Vid frekvent slagborrande skall chocken göras ren från damm regelbundet. Då håller man maskinen lodrätt dedåt och öppnar och stänger chocken helt.

Det ansamlade dammet faller ur. Regelbunden användning av rengöringsspray (Art.nr. 4932 6217 19) rekommenderas.

Om nätkabeln är skadad, måste den bytas ut på en godkänd serviceverkstad, då det krävs specialverktyg för detta.

Använd endast Milwaukee tillbehör och reservdelar. Reservdelar vars utbyte ej beskrivs bytes bäst av Milwaukee auktoriserad serviceverkstad (se broschyr Garanti/Kundtjänstadresser).

Vid behov av sprängskiss, kan en sådan, genom att uppge maskinens art. nr. (som finns på typskylten) erhållas från: Techtronic Industries GmbH, Max-Eyth-Straße 10, 71364 Winnenden, Germany.

SYMBOLER



OBSERVERA! VARNING! FARA!



Drag alltid ur kontakten när du utför arbeten på maskinen.



Läs instruktionen noga innan du startar maskinen.



Tillbehör - Ingår ej i leveransomfånget, erhålles som tillbehör.



Avfall som utgörs av eller innehåller elektrisk och elektronisk utrustning (WEEE) får inte slängas tillsammans med de vanliga hushållssoporna.

WEEE ska samlas och avfallshanteras separat.

Ta ut ljuskällor ur produkterna innan de avfallshanteras. Kontakta den lokala myndigheten respektive kommunen eller fråga återförsäljare var det finns speciella avfallsstationer för elkrot.

Beroende på de lokala bestämmelserna kan återförsäljare vara skyldiga att ta tillbaka WEEE gratis.

Bidra till att minska behovet av råämnen genom återanvändning och återvinning av ditt WEEE.

WEEE innehåller värdefulla återvinningsbara material som kan skada miljön och din hälsa om de inte avfallshanteras på korrekt sätt.

Tänk på att radera eventuella personuppgifter som kan finnas på din utrustning innan du lämnar den till avfallshanteringen.



Elverktyg skyddsklass II. Elverktyg hos vilket skyddet mot elstötar inte bara är avhängigt av basisoleringen utan också av att det finns extra skyddsåtgärder, som en dubbel isolering eller en förstärkt isolering. Det finns ingen anordning för anslutning av en skyddsledare.

n_0

Tomgångsvarvtal, obelastad

	Spänning
	Växelström
	Europeiskt konformitetsmärke
	Britiskt konformitetsmärke
	Regulatory Compliance Mark (RCM). Produkten uppfyller kraven i de gällande föreskrifterna.
	Ukrainskt konformitetsmärke
	Euroasiatiskt konformitetsmärke

TEKNISET ARVOT	TIMANTTIPORAKONE	DD2-160 XE (220-240V)
Tuotantonumero	3686 91 05...	...000001-999999
Nimellinen teho	1500 W	
Antoteho	820 W	
Kuormittamaton kierrosliku 1. vaihteella	0-1500 min ⁻¹	
Kuormittamaton kierrosliku 2. vaihteella	0-3000 min ⁻¹	
Kuormitettu kierrosliku maks. 1. vaihteella	890 min ⁻¹	
Kuormitettu kierrosliku maks. 2. vaihteella	1770 min ⁻¹	
Iskutaajuus maks.	48000 min ⁻¹	
Poran ø 1. vaihteella	80-162 mm	
Poran ø 2. vaihteella	32-90 mm	
Porakara	M18	
Kiinnityskaulan ø	57 mm	
Paino EPTA-menettelyn 01/2014 mukaan	4,2 kg	

Melunpäästö tiedot

Mitta-arvot määritetty EN 62841 mukaan.	
Koneen tyyppillinen A-luokitettu melutaso:	
Melutaso (Epävarmuus K=3dB(A))	100 dB (A)
Äänenvoimakkuus (Epävarmuus K=3dB(A))	111 dB (A)

Käytä kuulosuojaimia!

Tärinä tiedot

Värähtelyn yhteisarvot (kolmen suunnan vektorisummittatuna EN 62841 mukaan.

Värähtelyemissioarvo a_v

Metallin poraaminen	2,3 m/s ²
Epävarmuus K=	1,5 m/s ²
Betonin iskuporaaminen	18,3 m/s ²
Epävarmuus K=	1,5 m/s ²
Betonin iskuporaaminen timanttikruunulla kuivaporauksessa	14,8 m/s ²
Epävarmuus K=	1,5 m/s ²

VAROITUS

Tässä tiedotteessa ilmoitettu (ilmoitetut) tärinä- ja melupäästöarvo(t) on mitattu standardisoidulla testimenetelmällä SFS-EN 62841 mukaisesti ja sitä voidaan käyttää työkalun vertailamiseen toisen työkalun kanssa. Sitä voidaan käyttää alustavaan alitistuksen arviointiin.

Ilmoitettu tärinä- ja melupäästöarvo koskee työkalun pääkäyttötarkoituksia. Jos kuitenkin työkalua käytetään eri käyttötarkoituksiin eri varusteiden kanssa tai huonosti huollettuina, voi tärinä- ja melupäästö erota ilmoitetusta. Tämä voi merkittävästi nostaa alitistumistasoa koko työskentelyjakson ajaksi.

Arvioidussa tärinä- ja meluallistustasossa tulisi ottaa huomioon myös työkalun sammutuskerrat tai sen tyhjäkäynti. Tämä voi merkittävästi laskea alitistumistasoa koko työskentelyjakson ajaksi.

Tunnista esimerkiksi seuraavat lisävaroitimet, joilla voidaan suojata käyttäjää tärinän ja/tai melun vaikutuksilta: työkalun ja varusteiden ylläpito, käsien lämpimänä pito, työnkulun organisointi.

VAROITUS Lue kaikki turvallisuusmääräykset, ohjeet, kuvitukset ja erittelyt, jotka toimitetaan tämän sähkötyökalun mukana. Jäljempänä annettujen ohjeiden noudattamisen laiminlyönti saattaa johtaa sähköiskuun, tulipaloon ja/tai vakavaan loukkaantumiseen. Säilytä kaikki turvallisuus- ja muut ohjeet tulevaisuutta varten.

TIMANTTIPORAKONEEN TURVALLISUUSOHJEET

Turvallisuusohjeet kaikkiin toimintoihin

Pidä sähkötyökalusta kiinni eristettyjen tartuntapintojen kohdalta työskennellessäsi kohteessa, missä leikkuuosaa tai kiinnikkeet voivat joutua kosketuksiin piilotettujen johtojen tai laitteen oman johdon kanssa. Jos leikkuuosaa tai kiinnikkeet joutuvat kosketuksiin aktiivisen sähköjohtojen kanssa, tämä saattaa aktivoida laitteen metalliset osat ja aiheuttaa käyttäjälle sähköiskun.

Käytä koneen mukana toimitettua apukahvaa. Koneen hallinnan menetyksä saattaa aiheuttaa henkivahinkoja.

Pitele laitetta tukevasti tähän tarkoitettuun kahvasta ennen työn aloittamista. Tämän laitteen käytössä syntyy voimakas vääntömomentti, ja saatat menettää laitteen hallinnan ja loukkaantua, ellei pitele sitä käytön aikana tukevasti.

Turvallisuusmääräykset pitkien poranterien käyttöä varten

Älä koskaan käytä suurempaa kierroslukua kuin suurinta poraustyökalulle sallittua kierroslukua. Suuremmalla kierrosluvulla poraustyökalu saattaa vääntyä, jos se pyörii koskettamatta työstökappaleeseen, ja tästä voi aiheutua tapaturmia.

Aloita työskentely aina alhaisella kierrosluvulla poraustyökalun ollessa kosketuksissa työstökappaleeseen. Suuremmalla kierrosluvulla poraustyökalu saattaa vääntyä, jos se pyörii koskettamatta työstökappaleeseen, ja tästä voi aiheutua tapaturmia.

Paina poraustyökalua aina suorassa suunnassa työstökappaleeseen äläkä paina sitä liian voimakkaasti. Poraustyökalut säättävät vääntäjä ja rikkoutua tai aiheuttaa laitteen hallinnan menettämisen, josta voi seurata tapaturmia.

TÄYDENTÄVIÄ TURVALLISUUSMÄÄRÄYKSIÄ JA TYÖSKENTELYOHJEITA

Sisäinen liukukytkin vaikuttaa vain, mikäli lukkiutuminen tapahtuu äkillisesti, minkä vuoksi on aina käytettävä lisäkahvaa.

Käytä suojavarusteita. Käytä aina suoja-laseja käyttäessäsä konetta. Suosittelemme suojavarusteiden käyttöä, näihin kuuluvat pölysuojanaamari, työkasineet, tukevat, luistamattomat jalkineet, kypärä ja kuulosuojukset.

Koneen käytöstä aiheutuva pöly ja jäte voi olla haitallista terveydelle eikä sen vuoksi tulisi päästä kosketukseen ihon kanssa. Koneella työskennellessä on käytettävä sopivaa suojainta.

Terveydellisiä vaaroja aiheuttavien materiaalien (esim. asbestin) työstäminen on kielletty.

Jos käytetty työkalu juuttuu kiinni, sammuta laite heti! Älä kytke laitetta uudelleen päälle työkalun ollessa vielä kiinni juuttuneena, koska tästä saattaa aiheutua voimakas takaisu. Selvitä työkalun juuttumisen syy ja poista syy turvallisuusmääräyksiä noudattaen.

Mahdollisia syitä voivat olla:

- työkalun vinoutuminen työstökappaleessa
- työstetyn materiaalin puhkaiseminen
- sähkötyökalun ylikuormitus

Älä tartu käynnissä olevan koneen työosiin.

Käytetty työkalu saattaa kuumeta käytön aikana.

VAROITUS! Palovamman vaara

- työkalua vaihdettaessa
- laitetta pois laskettaessa

Lastuja tai puruja ei saa poistaa koneen käydessä.

Pidä sähköjohto poissa koneen käyttöalueelta. Siirrä se aina taakseen.

Varo seinään, kattoon tai lattiaan porattaessa osumasta sähköjohtoon, kaasu- ja vesijohtoihin.

Varmista työstökappaleesi kiinnityslaitteella paikalleen. Varmistamattomat työstökappaleet saattavat aiheuttaa vakavia vammoja ja vaurioita.

Irrota aina pistotulppa seinäkoskettimesta ennen koneeseen tehtäviä toimenpiteitä.

Suuret poranhalkaisijat edellyttävät, että tukikädensija on suorassa kulmassa pääkädensijaan nähden (katso kuvaa, osassa "Kädensijan kiertäminen".

TARKOITUKSEN MUKAINEN KÄYTTÖ

Timanttiorakonetta voidaan käyttää poraamiseen timantti-kuivaporakruunujen kanssa. Kun poranistukka on asennettu paikalleen, soveltuu kone käytettäväksi iskuporauksessa kiveen ja porauksessa puuhun ja teräkseen. Kone ei sovi betonin märkäporaukseen.

Älä käytä tuotetta ohjeiden vastaisesti.

EY-VAATIMUSTEN MUKAISUUSVAKUUTUS

Vakuutamme valmistajan ominaisuudessa yksinvastuullisesti, että kohdassa "Tekniset tiedot" kuvattu tuote vastaa kaikkia sitä koskevia direktiivien 2011/65/EU (RoHS), 2014/30/EU, 2006/42/EY määräyksiä sekä seuraavia harmonisoituja standardisoivia asiakirjoja:

EN 62841-1:2015
EN 62841-2-1:2018+A11:2019
EN 55014-1:2017+A11:2020
EN 55014-2:2015
EN 61000-3-2:2014
EN 61000-3-3:2013
EN IEC 63000:2018

Winnenden, 2021-01-20



Alexander Krug
Managing Director



Valtuutettu kokoamaan tekniset dokumentit.

Techtronic Industries GmbH
Max-Eyth-Straße 10
71364 Winnenden
Germany

VERKKOLIITÄNTÄ

Ulkokäytössä olevat pistorasiat on varustettava vikavirta-suojakytkimillä (FI, RCD PRCD) sähkölaitteistosi asennusmääräyksen mukaisesti. Muista tarkistaa, että laite liitetään ulkokäytössä ulkopistorasiaan ja neuvottele asiasta sähköasentajasi kanssa.

Yhdistä ainoastaan yksivaiheiseen vaihtovirtaan, jonka verkkojännite on sama kuin tyypikkiluvussa ilmoitettu. Myös liittämisen maadoittamattomiin pistorasioihin on mahdollista, sillä rakenne vastaa turvallisuusluokkaa II.

Laitteen käynnistyskytkin on oltava 0- asennossa, kun tulppa työnnetään pistorasiaan.

UUDELLEENKÄYNNISTYSSUOJA

Nollakytin estää koneen tahattoman käynnistymisen sähkökatkoksen jälkeen. Aloittaaksesi työskentelyn uudelleen, tulee virta katkaista koneesta ja kytkeä se tämän jälkeen uudelleen takaisin päälle.

MOOTTORIN YLIKUORMITUSSUOJA

Koneen kuormituksesta ohjautuva suojaajärjestelmä. Kone pyörii hitaasti eteenpäin moottorin käämitystä jäähdyttään. Kone voidaan käynnistää vasta, kun se on riittävästi jäähtynyt; ko. tarkoitusta varten kone on pysäytettävä ja käynnistettävä jälleen.

SOFT-ISKU

Työstettävästä materiaalista riippuen kevyt Soft-isku voi huomattavasti lyhentää porausaikaa tai pidentää timanttiosien käyttöikä.

TYÖSKENTELYOHJEITA

Paremmat tunkeutumisenopeuden saavuttamiseksi kannattaa keskiöpora poistaa, timanttikruunun saavuttua noin 10 - 15 mm:n syvyyden. Timanttikruunu asetetaan sitten takaisin reikään ilman keskiöpörää, jonka jälkeen kone käynnistetään pehmeästi.

Poraukset, joiden sijainti ei ole tarkoin määrätty, voidaan suorittaa ilman keskiöpörää. Tällöin aloitus tehdään kruunun rennalla ja kone nostetaan hitaasti kohtisuoraksi, kun syvyttä on noin 5 mm. (Tämä on mahdollista vain lyhyillä timanttikruunuilla).

Mikäli keskiosa irtoaa, vedä pora ulos reiästä ja poista irronnut pala.

Parhaan tuloksen saavuttamiseksi timanttisegmentit on karhennettava, jotta timanttihiukkaset tulisivat esiin. Tarkoitukseen sopii hankauskivi

HUOLTO

Pidä moottorin ilmanottoaukot puhtaina.

Enimmäkseen iskuporauksessa käytetyt porakoneen istukka on puhdistettava säännöllisesti. Pölyn poistamiseksi istukasta, kone pidetään pystyasennossa, istukka alapäin suunnattuna ja istukka avataan ja suljetaan kokonaan useita kertoja. Näin istukkaan kerääntynyt pöly irtoaa ja putoaa alas.

On suositeltavaa, että kiristysleuat porauksineen puhdistetaan säännöllisesti puhdistusaineella (osanumero 4932 6217 19).

Jos verkkoliitäntäjohto on vioittunut, niin huoltopalvelun täytyy vaihtaa se uuteen, koska vain heillä on tähän tarvittavat erikoistyökalut.

Käytä vain Milwaukeen® lisälaitteita ja varaosia. Käytä ammattitaitoisten Milwaukee-huoltosopimusliikkeiden palveluja muiden kuin käyttöohjeessa kuvattujen osien vaihdossa. (esite takuu/huoltoliikeluettelo).

Tarpeen vaatiessa voi pyytää lähettämään laitteen kokoonpanopiirustuksen ilmoittamalla arvokilven numeron seuraavasta osoitteesta: Techtronic Industries GmbH, Max-Eyth-Straße 10, 71364 Winnenden, Germany.



HUOMIO! VAROITUS! VAARA!



Irrota aina pistotulppa seinäkoskettimesta ennen koneeseen tehtäviä toimempiteitä.



Lue käyttöohjeet huolellisesti, ennen koneen käynnistämistä.



Lisälaitte - Ei sisälly vakiovarustukseen, saatavana lisätarvikkeena.



Älä hävitä sähkö- ja elektroniikkaromua lajittelemattomana yhdyskuntajätteenä. Sähkö- ja elektroniikkaromu on kerättävä erikseen.

Käytetyt valonlähteet on irrotettava laitteista. Kysy paikallisilta viranomaisilta tai jälleenmyyjiltä neuvoa kierrättämiseen ja tietoa keräyspisteestä.

Paikalliset säännökset saattavat velvoittaa vähittäiskauppiaat ottamaan sähkö- ja elektroniikkaromun takaisin maksutta.

Panoksesi sähkö- ja elektroniikkalaiteromun uudelleenkäytössä ja kierrätyksessä auttaa vähentämään raaka-aineiden kysyntää. Sähkö- ja elektroniikkaromu sisältää arvokkaita, kierrätettäviä materiaaleja, jotka saattavat vaikuttaa haitallisesti ympäristöön ja ihmisten terveyteen, jos niitä ei hävitetä ympäristöstävällisesti.

Poista mahdolliset henkilökohtaiset tiedot hävitettävästä laitteesta.



Suojaluokan II sähkötyökalu. Sähkötyökalu, jonka sähköiskunsuojaus ei ole riippuvainen ainoastaan peruseristyksestä, vaan myös siitä, että käytetään lisäturvatoimia, kuten kaksinkertaista eristystä tai vahvistettua eristystä.

Laitteessa ei ole suojajohtimen liittämiseen tarvittavia varusteita.



Kuormittamaton kierroslluku



Jännite



Vaihtovirta



Euroopan säännönmukaisuusmerkki



Britannian säännönmukaisuusmerkki



Regulatory Compliance Mark (RCM). Tuote on pätevien ohjesääntöjen mukainen.



Ukrainan säännönmukaisuusmerkki

Αριθμός παραγωγής.....	3686 91 05... ...000001-999999
Όνομαστική ισχύς.....	1500 W
Αποδιδόμενη ισχύς.....	820 W
Αριθμός στροφών χωρίς φορτίο στην 1η ταχύτητα.....	0-1500 min ⁻¹
Αριθμός στροφών χωρίς φορτίο στην 2η ταχύτητα.....	0-3000 min ⁻¹
Μέγιστος αριθμός στροφών με φορτίο στην 1η ταχύτητα.....	890 min ⁻¹
Μέγιστος αριθμός στροφών με φορτίο στην 2η ταχύτητα.....	1770 min ⁻¹
Μέγιστος αριθμός κρούσεων.....	48000 min ⁻¹
Διάμετρος τρύπας 1η ταχύτητα.....	80-162 mm
Διάμετρος τρύπας 2η ταχύτητα.....	32-90 mm
Άτρακτος δράπανου.....	M18
Διάμετρος λαιμού σύσφιξης.....	57 mm
Βάρος σύμφωνα με τη διαδικασία EPTA 01/2014.....	4,2 kg

Πληροφορίες θορύβου

Τιμές μέτρησης εξακριβωμένες κατά EN 62841.

H σύμφωνα με την καμπύλη A εκτιμηθείσα στάθμη θορύβου

του μηχανήματος αναφέρεται σε:

Στάθμη ηχητικής πίεσης (Ανασφάλεια K=3dB(A))..... 100 dB (A)

Στάθμη ηχητικής ισχύος (Ανασφάλεια K=3dB(A))..... 111 dB (A)

Φοράτε προστασία ακοής (ωτασπίδες)!**Πληροφορίες δόνησεων**

Υλικές τιμές κραδασμών (άθροισμα διανυσμάτων τριών

διευθύνσεων) εξακριβώθηκαν σύμφωνα με τα πρότυπα EN 62841.

Τιμή εκπομπής δόνησεων a_hΤρύπες σε μέταλλο..... 2,3 m/s²Ανασφάλεια K=..... 1,5 m/s²Κρουστικό τρυπάνι σε μετετόν..... 18,3 m/s²Ανασφάλεια K=..... 1,5 m/s²Κρουστικό τρυπάνι σε μετετόν Με διαμαντοκορώνα..... 14,8 m/s²Ανασφάλεια K=..... 1,5 m/s²**ΠΡΟΕΙΔΟΠΟΙΗΣΗ**

Το αναφερόμενο στο παρόν φυλλάδιο επίπεδο τιμών δόνησης και εκπομπής θορύβου έχει μετρηθεί σύμφωνα με μια τυπική μέθοδο δοκιμών κατά το πρότυπο EN 62841 και μπορεί να χρησιμοποιηθεί για τη σύγκριση εργαλείων μεταξύ τους. Μπορεί να χρησιμοποιηθεί για μια προκαταρκτική αξιολόγηση της έκθεσης.

Οι αναφερόμενες τιμές επιπέδων δόνησης και εκπομπής θορύβου αντιστοιχούν στις βασικές εφαρμογές του εργαλείου. Στην περιπτώση χρήσης του εργαλείου σε διαφορετικές εφαρμογές, με διαφορετικά εξαρτήματα ή ανεπαρκή συντήρηση, τα επίπεδα δόνησης και εκπομπών θορύβου ενδέχεται να διαφέρουν. Αυτό μπορεί να έχει ως συνέπεια μία σημαντική αύξηση των επιπέδων έκθεσης καθόλη τη διάρκεια εκτέλεσης των εργασιών.

Για μία εκτίμηση των επιπέδων έκθεσης σε δόνηση και θόρυβο πρέπει να συνυπολογίζονται οι χρόνοι απενεργοποίησης του εργαλείου ή αυτοί κατά τους οποίους παραμένει ενεργό χωρίς να εκτελείται κάποια εργασία. Αυτό μπορεί να μειώσει σημαντικά τα επίπεδα έκθεσης καθόλη τη διάρκεια εκτέλεσης των εργασιών.

Ορίστε πρόθετα μετά το προστασίας του χειριστή από την έκθεση στη δόνηση ή/και στον θόρυβο όπως: συντήρηση του εργαλείου και των παρελκόμενων εξαρτημάτων, διατήρηση θερμοότητας των χεριών, οργάνωση μοτίβων εργασίας.



ΠΡΟΕΙΔΟΠΟΙΗΣΗ! Διαβάστε όλες τις προειδοποιητικές υποδείξεις, οδηγίες, περιγραφές και προδιαγραφές γι' αυτό το ηλεκτρικό εργαλείο. Αμέλειες κατά την τήρηση των προειδοποιητικών υποδείξεων μπορεί να προκαλέσουν ηλεκτροπληξία, κίνδυνο πυρκαγιάς ή/και σοβαρούς τραυματισμούς.

Φυλάξτε όλες τις προειδοποιητικές υποδείξεις και οδηγίες για κάθε μελλοντική χρήση.

Α ΟΔΗΓΙΕΣ ΑΣΦΑΛΕΙΑΣ ΓΙΑ ΔΙΑΜΑΝΤΟΤΡΥΠΑΝΑ**Οδηγίες ασφαλείας για όλες τις λειτουργίες**

Κρατήστε το ηλεκτρικό εργαλείο από μονωμένες επιφάνειες πιασίματος, όταν εκτελείτε μία εργασία, επειδή το εξάρτημα κοπής ή οι σφιγκτήρες μπορεί να έρθουν σε επαφή με κρυμμένα καλώδια ή το ίδιο το καλώδιο του. Το εξάρτημα κοπής ή οι σφιγκτήρες που έρχονται σε επαφή με ρευματοφόρα καλώδια μπορεί να καταστήσουν εξωτερικά μεταλλικά εξαρτήματα του ηλεκτρικού εργαλείου επίσης ρευματοφόρα και να προκαλέσουν ηλεκτροπληξία στον χειριστή.

Χρησιμοποιείτε με τη συσκευή τις προμηθευόμενες πρόσθετες χειρολαβές. Η απώλεια ελέγχου μπορεί να οδηγήσει σε τραυματισμό.

Πριν την έναρξη της εργασίας να κρατάτε το εργαλείο σταθερά από την προβλεπόμενη λαβή. Αυτό το εργαλείο έχει υψηλή ροπή στρέψεως κι όταν δεν το κρατάτε καλά κατά τη διάρκεια της λειτουργίας, μπορεί να χάσετε τον έλεγχο και να τραυματιστείτε.

Υποδείξεις ασφαλείας για τη χρήση μακρών τρυπανιών

Μη χρησιμοποιείτε ποτέ έναν υψηλότερο αριθμό στροφών από τον ανώτατο αριθμό στροφών που ενδεικνύεται για το τρυπάνι. Με υψηλότερο αριθμό στροφών μπορεί να λυγίσει το τρυπάνι κατά την περιστροφή άνευ επαφής στο κατεργαζόμενο τεμάχιο· πράγμα που μπορεί να οδηγήσει σε τραυματισμούς.

Να ξεκινάτε πάντα με χαμηλό αριθμό στροφών κι όταν εφάπτεται το τρυπάνι στο κατεργαζόμενο τεμάχιο. Με υψηλότερο αριθμό στροφών μπορεί να λυγίσει το τρυπάνι κατά την περιστροφή άνευ επαφής στο κατεργαζόμενο τεμάχιο· πράγμα που μπορεί να οδηγήσει σε τραυματισμούς.

Να ασκείτε πίεση μόνο σε πλήρη ευθυγράμμιση με το τρυπάνι και να μην πιέζετε υπερβολικά. Στελέχη τρυπανιών θα μπορούσαν να λυγίσουν και να σπάσουν ή να οδηγήσουν σε ατύχημα του ελέγχου του εργαλείου, με αποτέλεσμα να προκαληθούν τραυματισμοί.

ΠΕΡΑΙΤΕΡΩ ΟΔΗΓΙΕΣ ΑΣΦΑΛΕΙΑΣ ΚΑΙ ΧΡΗΣΕΩΣ

Ο ενσωματωμένος συμπλέκτης υπερφόρτωσης ενεργοποιείται μόνο σε ένα απότομο μπλοκάρισμα, για το λόγο αυτό χρησιμοποιείτε πάντα την πρόσθετη χειρολαβή. Χρησιμοποιείτε προστατευτικό εξοπλισμό. Κατά την εργασία με τη μηχανή φοράτε πάντα προστατευτικά γυαλιά. Συνιστούμε επίσης προστατευτική ενδυμασία όπως επίσης μάσκα προστασίας αναπνοής, προστατευτικά γάντια, σταθερά και ασφαλή στην ολίσθηση υποδήματα, κράνος και ωτοασπίδες.

Η σκόνη που δημιουργείται κατά την εργασία είναι συχνά επιβλαβής για την υγεία και δεν επιτρέπεται να έλθει στο σώμα. Να φοράτε κατάλληλη μάσκα προστασίας από σκόνη.

Μην επεξεργάζεστε επικίνδυνα για την υγεία υλικά (π.χ. αμιάντος).

Σε περίπτωση μπλοκαρίσματος της αρίδας απενεργοποιήστε αμέσως τη συσκευή! Μην ενεργοποιείτε εκ νέου τη συσκευή όσο η αρίδα είναι μπλοκαρισμένη. Σ' αυτή τη περίπτωση θα μπορούσε να προκύψει υψηλή ροπή αντίδρασης. Βρείτε την αιτία του μπλοκαρίσματος της αρίδας και ξεμπλοκάρτε την λαμβάνοντας υπόψη τις οδηγίες ασφαλείας.

Πιθανές αιτίες:

- Η αρίδα μάγκωσε με το προς κατεργασία κομμάτι.
- Σπάσιμο του προς κατεργασία υλικού.
- Υπερφόρτωση του ηλεκτρικού εργαλείου.

Μην απλώνετε τα χέρια σας στην επικίνδυνη περιοχή της μηχανής όταν είναι σε λειτουργία.

Η θερμοκρασία της αρίδας μπορεί να φτάσει σε υψηλά επίπεδα κατά τη λειτουργία.

ΠΡΟΕΙΔΟΠΟΙΗΣΗ! Κίνδυνος εγκαύματος

- κατά την αλλαγή εργαλείου (αρίδας)
- κατά την απόθεση της συσκευής

Τα γρέζια ή οι σκλήθρες δεν επιτρέπεται να απομακρύνονται όσο η μηχανή βρίσκεται σε λειτουργία.

Κρατάτε το καλώδιο σύνδεσης πάντοτε μακριά από την περιοχή δράσης της μηχανής. Περνάτε το καλώδιο πάντοτε πίσω από τη μηχανή.

Κατά τις εργασίες σε τοίχο, οροφή ή δάπεδο προσέχετε για τυχόν ηλεκτρικά καλώδια και για σωλήνες αερίου και νερού.

Ασφαλίστε το προς κατεργασία κομμάτι στη μέγερη ή με μια άλλη διάταξη στερέωσης. Μη ασφαλισμένα προς κατεργασία κομμάτια μπορεί να προκαλέσουν σοβαρούς τραυματισμούς και ζημιές.

Πριν από κάθε εργασία στη μηχανή τραβάτε το φως από την πρίζα.

Σε μεγάλες διαμέτρους διάτρησης πρέπει η συμπληρωματική χειρολαβή να στερεωθεί με ορθή γωνία προς την κύρια χειρολαβή. (Βλέπε επίσης στην εικόνα, τμήμα "Περιστροφή χειρολαβής").

ΧΡΗΣΗ ΣΥΜΦΩΝΑ ΜΕ ΤΟ ΣΚΟΠΟ ΠΡΟΟΡΙΣΜΟΥ

Το τρυπάνι με διαμάντι χρησιμοποιείται για το τρυπάνισμα με στεγνή στεφάνη με διαμάντι. Με τοποθετημένο τον σφιγκτήρα του τρυπανιού η μηχανή είναι κατάλληλη για χρήση ως κρουστικό τρυπάνι σε πέτρες ή ως τρυπάνι σε ζύλο και χάλυβα. Η μηχανή δεν είναι κατάλληλη για υγρό τρυπάνισμα σε μετέτν.

Αυτή η συσκευή επιτρέπεται να χρησιμοποιηθεί μόνο σύμφωνα με τον αναφερόμενο σκοπό προορισμού.

ΔΗΛΩΣΗ ΣΥΜΜΟΡΦΩΣΗΣ ΕΚ

Ως κατασκευαστής δηλώνουμε υπεύθυνα ότι το προϊόν που περιγράφεται στο κεφάλαιο «Τεχνικά Χαρακτηριστικά» είναι συμβατό με όλες τις σχετικές διατάξεις των Κοινοτικών Οδηγιών 2011/65/ΕΥ (RoHS), 2014/30/ΕΕ, 2006/42/ΕΚ και τα ακόλουθα εναρμονισμένα κανονιστικά έγγραφα:

EN 62841-1:2015
EN 62841-2-1:2018+A11:2019
EN 55014-1:2017+A11:2020
EN 55014-2:2015
EN 61000-3-2:2014
EN 61000-3-3:2013
EN IEC 63000:2018

Winnenden, 2021-01-20

Alexander Krug
Managing Director



Εξουσιοδοτημένος να συντάξει τον τεχνικό φάκελο.

Techtronic Industries GmbH
Max-Eyth-Straße 10
71364 Winnenden
Germany

ΣΥΝΔΕΣΗ ΣΤΟ ΗΛΕΚΤΡΙΚΟ ΔΙΚΤΥΟ

Οι πρίζες στους εξωτερικούς χώρους πρέπει να είναι εξοπλισμένες με μικροαυτόματους διακόπτες προστασίας (FI, RCD, PRCD). Αυτό απαιτεί ο σχετικός κανονισμός από την ηλεκτρική σας εγκατάσταση. Προσέξτε παρακαλώ αυτό το σημείο κατά τη χρήση της συσκευής μας.

Συνδέετε μόνο σε μονοφασικό εναλλασσόμενο ρεύμα και μόνο σε τάση δικτύου όπως αναφέρεται στην πινακίδα τεχνικών χαρακτηριστικών. Η σύνδεση είναι επίσης εφικτή σε πρίζες χωρίς προστασία επαφής, διότι έχει προβλεφθεί εξοπλισμός κατηγορίας προστασίας II.

Συνδέστε τη συσκευή στην πρίζα μόνο όταν είναι απενεργοποιημένη.

ΠΡΟΣΤΑΣΙΑ ΕΠΑΝΕΚΚΙΝΗΣΗΣ

Ο διακόπτης μηδενικής τάσης εμποδίζει την επανενεργοποίηση της μηχανής μετά από διακοπή ρεύματος. Όταν ξαναρχίσετε την εργασία, σβήστε και ξαναανάψτε την μηχανή.

ΠΡΟΣΤΑΣΙΑ ΤΟΥ ΚΙΝΗΤΗΡΑ ΣΕ ΣΧΕΣΗ ΜΕ ΤΟ ΦΟΡΤΙΟ

Όταν υπάρχει υψηλό φορτίο στον κινήτηρα, τότε ενεργοποιείται η προστασία υπερφόρτωσης. Η μηχανή λειτουργεί σε χαμηλότερες στροφές για να κρυώσει η περιέλιξη του κινήτηρα. Μετά από μια ικανοποιητική ψύξη είναι δυνατή η επεξεργασία της μηχανής, για αυτό σβήστε και ανάψτε αμέσως μετά τη μηχανή.

ΥΠΟΔΕΙΞΕΙΣ ΕΡΓΑΣΙΑΣ

Σε εξάρτηση από το υλικό που επεξεργάζεστε η μαλακή κρουστική λειτουργία μπορεί να επιφέρει μια σημαντική μείωση του χρόνου διάτρησης ή να προκαλέσει μια μεγαλύτερη διάρκεια ζωής των στοιχείων διαμαντιού.

ΥΠΟΔΕΙΞΕΙΣ ΕΡΓΑΣΙΑΣ

Για την επίτευξη μιας μεγαλύτερης προόδου διάτρησης μετά από περ. 10-15 mm βάθος διάτρησης αφαιρείτε το τρυπάνι κεντραρίσματος, τοποθετείτε την κορώνα διάτρησης στην υπάρχουσα εσοχή και αφήνετε το εργαλείο να εκκινήσει αργά.

Οπές, των οποίων η διάνοιξη δεν χρειάζεται να γίνει με ακρίβεια, μπορούν να εκτελεστούν χωρίς το τρυπάνι κεντραρίσματος. Για το σκοπό αυτό τοποθετείτε την κορώνα διάτρησης λοξά και μετά από ένα βάθος των περ.

5 mm ευθυγραμμίζετε αργά το εργαλείο. (Εφικτό μόνο σε κοντές κορώνες διάτρησης).

Όταν ελευθερώνονται πυρήνες διάτρησης, τραβάτε έξω από το υλικό την κορώνα διάτρησης και απομακρύνετε τους πυρήνες διάτρησης.

Μια ακονισμένη κορώνα διάτρησης διευκολύνει τη χρήση και την πρόοδο διάτρησης. Δυνατότητες ακονίσματος: Σε αμμόλιθο ασβεστίου ή σε μια πλάκα ακονίσματος

ΣΥΝΤΗΡΗΣΗ

Διατηρείτε πάντοτε τις σχισμές εξαερισμού της μηχανής καθαρές.

Σε περίπτωση συχνής λειτουργίας ως κρουστικό τρυπάνι πρέπει να καθαρίζετε το σοοκ τακτικά από τη σκόνη. Για το σκοπό αυτόν κρατήστε τη μηχανή με το σοοκ κάτω προς τα κάτω και ανοίξτε το σοοκ σ' όλο το εύρος σύσφιξης και κλείστε το ξανά. Έτσι πέφτει από το σοοκ η συγκεντρωμένη σκόνη.

Συνιστάται η τακτική χρήση σπρέι καθαρισμού (αριθ. προϊόντος 4932 6217 19) στις σιαγόνες σύσφιξης και στις οπές των σιαγόνων σύσφιξης.

Όταν έχει υποστεί ζημιά το καλώδιο ηλεκτρικής σύνδεσης, πρέπει αυτό να αντικατασταθεί σε μια υπηρεσία τεχνικής υποστήριξης πελατών, διότι απαιτείται ειδικό εργαλείο.

Χρησιμοποιείτε μόνο εξαρτήματα και ανταλλακτικά της Milwaukee. Αναθέστε την αλλαγή των εξαρτημάτων, των οποίων η αντικατάσταση δεν έχει περιγραφεί, σ' ένα κέντρο σέρβις της Milwaukee (προσέξτε το ενχειρίδιο Εγγύηση/ Διευθύνσεις εξυπηρέτησης πελατών).

Όταν χρειάζεται, μπορείτε να ζητήσετε ένα σχέδιο συναρμολόγησης της συσκευής, δίνοντας τον τύπο της μηχανής και αριθμό στην πινακίδα ισχύος, από το κέντρο σέρβις ή απευθείας από τη φίρμα Techtronic Industries GmbH, Max-Eyth-Straße 10, 71364 Winnenden, Germany.

ΣΥΜΒΟΛΑ



ΠΡΟΣΟΧΗ! ΠΡΟΕΙΔΟΠΟΙΗΣΗ! ΚΙΝΔΥΝΟΣ!



Πριν από κάθε εργασία στη μηχανή τραβάτε το φως από την πρίζα.



Παρακαλώ διαβάστε σχολαστικά τις οδηγίες χρήσης πριν από την έναρξη λειτουργίας.



Εξαρτήματα - Δεν περιλαμβάνονται στα υλικά παράδοσης, συνιστούμενη προσθήκη από το πρόγραμμα εξαρτημάτων.



Απόβλητα ηλεκτρικού και ηλεκτρονικού εξοπλισμού δεν επιτρέπεται να απορρίπτονται μαζί με τα οικιακά απορρίμματα.

Απόβλητα ηλεκτρικού και ηλεκτρονικού εξοπλισμού πρέπει να συλλέγονται και να απορρίπτονται ξεχωριστά.

Πριν την απόρριψη να αφαιρείτε τους λαμπτήρες από τον εξοπλισμό.

Ενημερωθείτε από τις τοπικές υπηρεσίες ή από ειδικευμένους εμπόρους σχετικά με κέντρα ανακύκλωσης και συλλογής απορριμμάτων.

Ανάλογα με τους τοπικούς κανονισμούς μπορεί να είναι οι έμποροι λιανικής πώλησης υποχρεωμένοι, να παίρνουν πίσω απόβλητα ηλεκτρικού και ηλεκτρονικού εξοπλισμού δωρεάν.

Συμβάλλετε κι εσείς μέσω επαναχρησιμοποίησης και ανακύκλωσης των απόβλητων του ηλεκτρικού και ηλεκτρονικού εξοπλισμού σας στην μείωση της ζήτησης πρώτων υλών.

Απόβλητα ηλεκτρικού και ηλεκτρονικού εξοπλισμού περιέχουν πολυτίμες, επαναχρησιμοποιήσιμες ύλες που μπορεί να βλάπτουν το περιβάλλον και την υγεία σας κατά τη μη περιβαλλοντικώς ορθή διάθεσή τους.

Πριν την απόρριψη να διαγράφετε δεδομένα προσωπικού χαρακτήρα που πιθανόν να υπάρχουν στα απόβλητα του εξοπλισμού σας.



Ηλεκτρικό εργαλείο κατηγορίας ασφάλειας II. Ηλεκτρικό εργαλείο στο οποίο η προστασία από ηλεκτροπληξία δεν εξαρτάται μόνο από την βασική μόνωση αλλά και από συμπληρωματικά μέτρα ασφαλείας όπως διπλή ή ενισχυμένη μόνωση. Δεν υπάρχει εξοπλισμός για να συνδεθεί με την γείωση.



η_p
Αριθμός στροφών χωρίς φορτίο



v
Τάση



Εναλλασσόμενο ρεύμα



CE
Ευρωπαϊκό σήμα πιστότητας



UK
CA
Βρετανικό σήμα πιστότητας



Regulatory Compliance Mark (RCM). Το προϊόν τηρεί τις ισχύουσες προδιαγραφές.



001
Ουκρανικό σήμα πιστότητας



EAC
Ευρασιατικό σήμα πιστότητας

TEKNIK VERİLER	ELMASLI MATKAP MAKİNESİ	DD2-160 XE (220-240V)
Üretim numarası.....	3686 91 05...	...000001-999999
Giriş gücü.....	1500 W	
Çıkış gücü.....	820 W	
Boşta ki devir sayısı 1. Viteste.....	0-1500 min ⁻¹	
Boşta ki devir sayısı 2. Viteste.....	0-3000 min ⁻¹	
Yükteki maksimum devir sayısı 1. Viteste.....	890 min ⁻¹	
Yükteki maksimum devir sayısı 2. Vites.....	1770 min ⁻¹	
Maksimum darbe sayısı.....	48000 min ⁻¹	
Delme çapı: 1. Vites.....	80-162 mm	
Delme çapı: 2. Vites.....	32-90 mm	
Matkap mili.....	M18	
Germe boynu çapı.....	57 mm	
Ağırlığı ise EPTA-üretici 01/2014'e göre.....	4,2 kg	

Gürültü bilgileri

Ölçüm değerleri EN 62841 e göre belirlenmektedir.	
Aletin, frekansa bağımlı uluslararası ses basıncı seviyesi değerlendirme eğrisi A'ya göre tipik gürültü seviyesi:	
Ses basıncı seviyesi (Tolerans K=3dB(A)).....	100 dB (A)
Akustik kapasite seviyesi (Tolerans K=3dB(A)).....	111 dB (A)

Koruyucu kulaklık kullanın!

Vibrasyon bilgileri

Toplam titreşim değeri (üç yönün vektör toplamı) EN 62841'e göre belirlenmektedir:

Titreşim emisyon değeri a _h	
Metal delme.....	2,3 m/s ²
Tolerans K=.....	1,5 m/s ²
Darbeli beton delme.....	18,3 m/s ²
Tolerans K=.....	1,5 m/s ²
Darbeli beton delme Elmaslı kaya matkap uçları ile.....	14,8 m/s ²
Tolerans K=.....	1,5 m/s ²

UYARI

Bu bilgi formunda belirtilen titreşim ve gürültü düzeyi EN 62841 uyarınca standart bir test yöntemine göre ölçülmüş olup, bir aleti diğerleriyle karşılaştırmak için kullanılabilir. Bir maruz kalma ön değerlendirmesi için de kullanılabilir.

Beyan edilmiş titreşim ve gürültü emisyon değeri aletin ana uygulamalarını temsil eder. Ancak, alet farklı uygulamalar için veya farklı aksesuarlarla kullanılır ya da aletin bakımı yetersiz yapılırsa, titreşim ve gürültü emisyonu farklılık gösterebilir. Bu, toplam çalışma süresi boyunca maruz kalma seviyesini önemli ölçüde artırabilir.

Titreşim ve gürültüye maruz kalma seviyesi tahmininde, aletin kapalı olduğu veya çalıştığı, ancak aslında işini yapmadığı süreler de göz önünde bulundurulmalıdır. Bu, toplam çalışma süresi boyunca maruz kalma seviyesini önemli ölçüde azaltabilir.

Operatörü titreşim ve/veya gürültünün etkilerinden korumak için, aletin ve aksesuarların bakımını yapmak, elleri sıcak tutmak ve çalışma biçimlerini düzenlemek gibi ilave güvenlik önlemleri belirleyin.

UYARI! Bu elektrikli el aletleriyle ilgili bütün uyarıları, talimat hükümlerini, gösterimleri ve spesifikasyonları okuyun. Aşağıda açıklanan talimat hükümlerine uyulmadığı takdirde elektrik çarpmalarına, yangınlara ve/veya ağır yaralanmalara neden olunabilir. **Bütün uyarıları ve talimat hükümlerini ileride kullanmak üzere saklayın.**

ELMASLI MATKAP İÇİN UYARILAR

Tüm işlemler için güvenlik talimatları

Bir işlem gerçekleştirirken kesme aksesuarı veya sabitleyiciler gizli kablolar veya kendi kablosu ile temas edebileceğinden elektrikli aleti yalıtılmış kavrama yüzeylerinden tutun. "Elektrik geçen" bir kabloya temas eden kesme aksesuarı veya sabitleyiciler elektrikli aletin metal parçalarının "elektrikle yüklenmesine" ve kullanıcıyı elektrik çarpmasına sebep olabilir.

Aletle birlikte teslim edilen ek tutamakları kullanın. Aletin kontrolden çıkması kazalara neden olabilir.

Çalışmaya başlamadan önce cihazı öngörülen tutma kulpundan sıkıca tutunuz. Cihaz yüksek bir çıkış torqu oluşturmakta ve çalışması sırasında cihazı sıkıca tutmazsanız, kontrolünü kaybederek kendinizi yaralayabilirsiniz.

Uzun matkap uçlarının kullanılmasıyla ilgili güvenlik bilgileri

Asla matkap ucu için belirtilen maksimum devirden daha yüksek devirler kullanmayınız. Daha yüksek devirlerde matkap ucu, iş parçasına temas etmeden döndüğünde eğilebilir ve bu da yaralanmalara neden olabilir.

Matkap ucu iş parçasına temas ettiğinde daima düşük bir devire başlayınız. Daha yüksek devirlerde matkap ucu, iş parçasına temas etmeden döndüğünde eğilebilir ve bu da yaralanmalara neden olabilir.

Daima sadece doğrudan matkap ucunun yönüne doğru basınç uygulayınız ve fazla sıkı bastırmayınız. Matkap uçları bükülebilir ve kırılabilir veya cihazın kontrolünün kaybedilmesine neden olabilirler. Bu da yaralanmalara sebebiyet verebilir.

EK GÜVENLİK VE ÇALIŞMA TALİMATLARI

Bağlı olan kaymalı kavrama sadece ani bloke hareketlerinde devreye girer, bu nedenle ilave sapı daima kullanın.

Koruma teçhizatı kullanın. Makinada çalışırken devamlı surette koruyucu gözlük takın. Koruyucu elbise ve tozlardan korunma maskesi, emniyet eldivenleri ve sağlam ve kaymaya mukavim ayakkabı giyin. Başlık ve kulaklık tavsiye edilir.

Çalışma sırasında ortaya çıkan toz genellikle sağlığa zararlıdır ve bedeninize temas etmemelidir. Uygun bir koruyucu toz maskesi kullanın

Sağlık tehlikelerine neden olan malzemelerin işlenmesi yasaktır (örn. asbest).

Uca yerleştirilen takımın bloke olması halinde lütfen cihazı hemen kapatın! Uca yerleştirilen takımın bloke olduğu süreçte cihazı tekrar çalıştırmayın; bu sırada yüksek reaksiyon momentine sahip bir geri tepme meydana gelebilir. Uca yerleştirilen takımın neden bloke olduğuna bakın ve bu durumu güvenli uyarılarına dikkat ederek gidin.

Olası nedenler şunlar olabilir:

- İşlenen parça içinde takılma
- İşlenen malzemenin delinmesi
- Elektrikli alete aşırı yük binmesi

Ellerinizi çalışmakta olan makinenin içine uzatmayın.

Uca yerleştirilen takımın kullanım sırasında ısınabilir.

UYARI! Yanma tehlikesi

- takım değiştirme sırasında
- aletin yere bırakılması sırasında

Alet çalışır durumda iken talaş ve kırpıntıları temizlemeye çalışmayın.

Bağlantı kablosunu aletten uzak tutun. Kablo daima aletin arkasında olmalıdır ve toplanmamalıdır.

Duvar, tavan ve zeminde delik açarken elektrik kablolarına, gaz ve su borularına dikkat edin.

İşlenen parçayı bir germe tertibatıyla emniyete alın.

Emniyete alınmayan iş parçaları ağır yaralanmalar ve hasarlara neden olabilir.

Aletin kendinde bir çalışma yapmadan önce fişi prizden çekin.

Büyük delik çaplarında ilave sap ana tutamağa dik açılı olarak tespit edilmelidir. Bakınız: Resimli kısım, "Tutamağın çevrilmesi" bölümü.

KULLANIM

Karot makinesi elmaslı kuru delme karot uçları ile delme işlerinde kullanılabilir. Takılan mandren ile bu alet taş malzemede darbeli delme işlerine ve ahşap ile çelikte darbesiz delme işlerine uygundur. Bu alet betonda sulı delme işlerine uygun değildir.

Bu alet sadece belirtildiği gibi ve usulüne uygun olarak kullanılabilir.

AT UYGUNLUK BEYANI

Üretici sıfatıyla tek sorumlu olarak "Teknik Veriler" bölümünde tarif edilen ürünün 2011/65/EU (RoHS), 2014/30/EC, 2006/42/EC sayılı direktifin ve aşağıdaki harmonize temel belgelerin bütün önemli hükümlerine uygun olduğunu beyan etmekteyiz:

EN 62841-1:2015
EN 62841-2-1:2018+A11:2019
EN 55014-1:2017+A11:2020
EN 55014-2:2015
EN 61000-3-2:2014
EN 61000-3-3:2013
EN IEC 63000:2018

Winnenden, 2021-01-20



Alexander Krug
Managing Director



Teknik evrakları hazırlamakla görevlendirilmiştir.

Techtronic Industries GmbH
Max-Eyth-Straße 10
71364 Winnenden
Germany

ŞEBEKE BAĞLANTISI

Açık havadaki prizler hatalı akım koruma şalteri (FI, RCD, PRCD) ile donatılmış olmalıdır. Bu, elektrik tesisatındaki bir zorunluluktur. Lütfen aletimizi kullanırken bu hususa dikkat edin.

Aleti sadece tek fazlı alternatif akıma ve tip etiketi üzerinde belirtilen şebeke gerilimine bağlayın. Yapısı Koruma sınıfı II'ye girdiğinden alet koruyucu kontaklı prize de bağlanabilir.

Aleti sadece kapalı iken prize takın.

TEKRAR ÇALIŞTIRMADA KORUMA

Sıfır gerilim şalteri elektrik kesintilerinden sonra aletin tekrar ve istenmeden çalışmasını önler. Yeniden çalışmaya başlamadan önce aleti kapatın ve tekrar çalıştırın

YÜKE BAĞIMLI MOTOR KORUMA DONANIMI

Motor aşırı ölçüde zorlandığında aşırı zorlama koruma donanımı devreye girer. Motor sarğularının soğuması için alet yavaş çalışmaya devam eder. Yeterli soğuma sağlandıktan sonra alet tekrar çalıştırılabilir. Bu işlem için aleti kapatın ve açın.

YUMUŞAK DARBE

İşlenecek malzemeye bağlı olarak yumuşak darbe ayarı, delme süresinin kesin olarak kısıtılmasını veya elmas elemanların daha uzun ömürlü olmasını sağlar.

ÇALIŞMA AÇIKLAMALARI

Delme işleminde daha iyi bir ilerleme kaydetmek için yaklaşık 10-15 mm deldikten sonra merkezleme matkap ucunu çıkarın, burguyu açılmış olan deliğe oturtun ve makineyi yavaşça çalıştırmaya başlayın.

Tam doğru ölçüde delinmesi gerekli olmayan delikler, merkezleme matkap ucu ile ön delik açılmadan direkt burguyu ile delinebilir. Bu tür delikler delerken burguyu biraz eğik konumda pozisyonlayın ve matkabı, ancak yakl. 5 mm derinliğe kadar deldikten sonra yavaşça düzeltin. (sadece kısa deliklerde mümkündür).

Delik içinde malzeme parçaları oluştuğunda burguyu malzemenin içinden çıkarın ve oluşan parçaları temizleyin.

Elmas başlı burguyu blendajında kullanım ve delme işleminin ilerlemesi kolaylaşır. Bileme olanakları: Kireç taşı veya bileme plakası ile

BAKIM

Aletin havalandırma aralıklarının daima temiz tutun.

Sık sık darbeli delme yapıyorsanız mandreni düzenli aralıklarla tozdan arındırın. Bu işleme yapmak için aleti mandren aşağıya bakacak biçimde dik olarak tutun, mandreni sonuna kadar açıp, kapatın. Birikmiş olan toz bu durumda mandrenden aşağı düşer.

Ayrıca, germe çenelerine ve germe çenesi deliklerine düzenli olarak bakım spreyi (ürün kodu: 4932 6217 19) uygulamanızı öneririz.

Şebeke hatları hasarlı ise müşteri hizmetleri servisi tarafından değiştirilmesi gerekir, zira bunun için özel bir aparat gereklidir.

Sadece Milwaukee aksesuarını ve yedek parçalarını kullanın. Değiştirilmesi açıklanmamış olan parçaları bir Milwaukee müşteri servisinde değiştirin (Garanti broşürüne ve müşteri servisi adreslerine dikkat edin).

Gerektiği takdirde aletin dağınık görünüş şeması, alet tipinin ve tip etiketi üzerindeki sayının bildirilmesi koşulluyla müşteri servisinden veya doğrudan Techtronic Industries GmbH, Max-Eyth-Straße 10, 71364 Winnenden, Germany adresinden istenebilir.



DİKKAT! UYARI! TEHLİKE!



Aletin kendinde bir çalışma yapmadan önce fişi prizden çekin.



Lütfen aleti çalıştırmadan önce kullanma kılavuzunu dikkatli biçimde okuyun.



Aksesuar - Teslimat kapsamında değildir, önerilen tamamlamalar aksesuar programında.



Atık elektrikli ve elektronik eşyaların evsel atıklarla birlikte bertaraf edilmesi yasaktır. Atık elektrikli ve elektronik eşyalar ayrılarak biriktirilmeli ve bertaraf edilmelidir. Bertaraf etmeden önce cihazların içindeki lambaları çıkartınız.

Yerel makamlara veya satıcınıza geri dönüşüm tesisleri ve atık toplama merkezlerinin yerlerini danışınız.

Yerel yönetmeliklere göre perakende satıcılar atık elektrikli ve elektronik eşyaları ücret talep etmeden geri almak zorunda olabilirler. Atık elektrikli ve elektronik eşyalarınızı tekrar kullanarak ve geri dönüşüme vererek ham madde gereksiniminin az tutulmasına katkıda bulununuz.

Atık elektrikli ve elektronik eşyalar, çevreye uygun şekilde bertaraf edilmediklerinde çevre ve sağlığınız üzerinde olumsuz etkilere neden olabilmekte, tekrar kullanılabilir malzemeler içerirler.

Bertaraf etmeden önce atık eşyanız içinde mevcut olabilmekte şahsınızla ilgili bilgileri siliniz.



Koruma sınıfı II olan elektrikli aletler. Elektrik çarpmasına karşı korumanın sadece temel izolasyona bağlı olmayıp, aynı zamanda çift izolasyon veya takviyeli izolasyon gibi ek koruyucu önlemlerin alınmasına bağlı olan elektrikli alet. Bir koruyucu ileten bağlamak için düzeneği bulunmamaktadır.



Boştaki devir sayısı



Voltaj



Dalgalı akım



Avrupa uyumluluk işareti



Britanya uyumluluk işareti



Regulatory Compliance Mark (RCM). Ürün yürürlükteki kuralları karşılamaktadır.



Ukrayna uyumluluk işareti

001

Výrobní číslo.....	3686 91 05... ..000001-999999
Jmenovitý příkon	1500 W
Odběr.....	820 W
Počet otáček při běhu naprázdno na 1.st.rychlosti.....	0-1500 min ⁻¹
Počet otáček při běhu naprázdno na 2.st.rychlosti.....	0-3000 min ⁻¹
Počet otáček při zatížení max na 1.st.rychlosti.....	890 min ⁻¹
Počet otáček při zatížení max na 2.stupeň rychlosti.....	1770 min ⁻¹
Počet úderů při zatížení max.....	4800 min ⁻¹
Průměr vrtání v: 1. rychlost.....	80-162 mm
Průměr vrtání v: 2. rychlost.....	32-90 mm
Vrtací vřeteno	M18
Ø upínacího krčku.....	57 mm
Hmotnost podle prováděcího předpisu EPTA 01/2014.....	4,2 kg

Informace o hluku

Naměřené hodnoty odpovídají EN 62841.

V třídě A posuzovaná hladina hluku přístroje činí typicky:

Hladina akustického tlaku (Kolísavost K=3dB(A)).....	100 dB (A)
Hladina akustického výkonu (Kolísavost K=3dB(A)).....	111 dB (A)

Používejte chrániče sluchu !**Informace o vibracích**

Celkové hodnoty vibrací (vektorový součet tří směrů) zjištěné ve smyslu EN 62841.

Hodnota vibračních emisí a_v

Vrtání kovů.....	2,3 m/s ²
Kolísavost K=.....	1,5 m/s ²
Vrtání betonu s přiklepem.....	18,3 m/s ²
Kolísavost K=.....	1,5 m/s ²
Vrtání betonu s přiklepem s diamantovou vrtací korunkou.....	14,8 m/s ²
Kolísavost K=.....	1,5 m/s ²

VAROVÁN

Hladina vibrací a emisí hluku uvedená v tomto informačním listu byla měřena v souladu se standardizovanou zkouškou uvedenou v normě EN 62841 a může být použita ke srovnání jednoho nástroje s jiným. Může být použita k předběžnému posouzení expozice.

Deklarovaná úroveň vibrací a emisí hluku představuje hlavní použití nástroje. Pokud se však nástroj používá pro různé aplikace, s různým příslušenstvím nebo s nedostatečnou údržbou, mohou se vibrace a emise hluku lišit. To může výrazně zvýšit úroveň expozice v průběhu celé pracovní doby.

Odhad úrovně expozice vibracím a hluku by měl také vzít v úvahu dobu, kdy je nástroj vypnutý nebo když běží, ale ve skutečnosti neprovádí úlohu. To může výrazně snížit úroveň expozice v průběhu celé pracovní doby.

Identifikujte dodatečná bezpečnostní opatření k ochraně pracovníka obsluhy před účinky vibrací a/nebo hluku, například: údržba nástroje a příslušenství, udržování rukou v teple, organizace pracovních schémat.

**VAROVÁNÍ! Přečtěte si všechna výstražná**

upozornění, pokyny, zobrazení a specifikace pro toto elektrické nářadí. Zanedbání při dodržování výstražných upozornění a pokynů uvedených v následujícím textu může mít za následek zásah elektrickým proudem, způsobit požár a/nebo těžké poranění.

Všechna varovná upozornění a pokyny do budoucna uschovejte.

BEZPEČNOSTNÍ PŘEDPISY PRO VRTAČKU S DIAMANTOVÝM VRTÁKEM**Bezpečnostní pokyny pro všechny operace**

Držte elektrické nářadí za izolované uchopovací plochy při provádění operace, kde se řezné příslušenství nebo upevňovače mohou dostat do kontaktu se skrytým vedením nebo s vlastní šňúrou. Řezné příslušenství nebo upevňovače, které se dotýkají „živého“ vedení, mohou vystavené kovové části elektrického nářadí udělat „živými“ a mohou způsobit úraz elektrickým proudem pracovníkovi obsluhy.

Používejte doplňková madla dodávaná s přístrojem. Nedostatečným držením by mohlo dojít ke zranění.

Před spuštěním držte nástroj pevně v ruce. Tento nástroj vytváří vysoký kroutící moment a pokud byste

během provozu nástroj pevně nedrželi, mohlo by dojít ke ztrátě kontroly nad nástrojem a k poranění.

Bezpečnostní pokyny pro použití dlouhých výměnných nástavců na vrtání

Nikdy nepracujte při vyšších otáčkách, než jsou maximální jmenovité otáčky vrtáku. Při vyšších rychlostech může dojít k ohnutí vrtáku, když by se vrták volně točil a nebyl v kontaktu s obrobkem, což může vést k poranění.

Vždy začněte vrtat při nízkých otáčkách a s hrotem v kontaktu s obrobkem. Při vyšších rychlostech se může vrták prohýbat, když se točí a není v kontaktu s obrobkem, což může vést k poranění.

Tlačte pouze přímo ve směru osy vrtáku a nevyvíjejte přílišný tlak. Vrtáky se mohou ohnout a prasknout, nebo by mohlo dojít ke ztrátě kontroly a k následnému poranění.

DALŠÍ BEZPEČNOSTNÍ A PRACOVNÍ POKYNY

Vestavěná klouzavá spojka reaguje pouze při trhavém blokování, proto stále používejte přídavnou rukojeť.

Použijte ochranné vybavení. Při práci s elektrickým nářadím používejte vždy ochranné brýle. Doporučujeme rovněž použití součástí ochranného oděvu a ochranné obuvi, jako protiprašné masky, ochranných rukavic, pevně a nekouzající obuvi, ochranné přilby a ochrany sluchu.

Prach vznikající při práci s tímto nářadím může být zdraví škodlivý. Proto by neměl přijít do styku s tělem. Používejte při práci vhodnou ochranou masku.

Nesmějí se opracovávat materiály, které mohou způsobit ohrožení zdraví (např. azbest)

Při zablkování nasazeného nástroje přístroj okamžitě vypněte! Přístroj nezapínajte, pokud je nasazený nástroj zablkovaný; mohl by při tom vzniknout zpětný náraz s vysokým reakčním momentem. Zjistěte příčinu zablkování nasazeného nástroje a odstraňte ji při dodržení bezpečnostních pokynů.

Možnými příčinami mohou být:

- vzpříčení v opracovávaném obrobku
- přelomení opracovávaného materiálu
- přetížení elektrického přístroje

Nezasahujte do běžícího stroje.

Nasazený nástroj se může během používání rozpálit.

VAROVÁNÍ! Nebezpečí popálení.

- při výměně nástroje
- při odkládání přístroje

Pokud stroj běží, nesmí být odstraňovány třísky nebo odštěpky.

Neustále dbát na to, aby byl kabel pro připojení k elektrické síti mimo dosah stroje. Kabel vést vždy směrem dozadu od stroje.

Při vrtání do zdi, stropu nebo podlahy dávat pozor na elektrické kabely, plynová a vodovodní potrubí.

Obrobek zabezpečte upínacím zařízením. Nezabezpečené obrobky mohou způsobit těžká poranění a poškození.

Před zahájením veškerých prací na stroji vytáhnout síťovou zástrčku ze zásuvky.

Při vrtání velkými průměry vrtáků musí být přední madlo v poloze kolmé k hlavnímu madlu. Viz. Obrazová část, oddíl "Natočení madla".

OBLAST VYUŽITÍ

Diamantová vrtačka je použitelná k vrtání za sucha s diamantovými vrtacími korunkami. S nasazeným sklíčidlem pro vrták se stroj hodí k nárazovému vrtání do kamene a k vrtání do dřeva a oceli. Stroj se nehodí k vrtání do betonu za mokra.

Toto zařízení lze používat jen pro uvedený účel.

ES PROHLÁŠENÍ O SHODĚ

My jako výrobce výhradně na vlastní zodpovědnost prohlašujeme, že se výrobek popsáný v "Technických údajích" shoduje se všemi relevantními předpisy směrnice 2011/65/EU (RoHS), 2014/30/EU, 2006/42/ES a následujícími harmonizovanými normativními dokumenty:

EN 62841-1:2015
EN 62841-2-1:2018+A11:2019
EN 55014-1:2017+A11:2020
EN 55014-2:2015
EN 61000-3-2:2014
EN 61000-3-3:2013
EN IEC 63000:2018

Winnenden, 2021-01-20



Alexander Krug
Managing Director



Zplnomocněn k sestavování technických podkladů.

Techtronic Industries GmbH
Max-Eyth-Straße 10
71364 Winnenden
Germany

PŘIPOJENÍ NA SÍŤ

Ve venkovním prostředí musí být zásuvky vybaveny proudovým chráničem (FI, RCD, PRCD). Je to vyžadováno instalačním předpisem pro toto el.zařízení. Dodržujte ho při používání tohoto nářadí, prosím.

Připojit pouze do jednofázové střídavé sítě o napětí uvedeném na štítku. Lze připojit i do zásuvky bez ochranného kontaktu neboť spotřebič je třídy II.

Přívodní kabel zapojit do zásuvky jen při vypnutém stroji.

OCHRANA PROTI OPĚTOVNÉMU NÁBĚHU

Ochranný spínač zabrání znovu rozběhnutí stroje při obnově napětí v síti po předchozím výpadku. Nejprve je nutné dát spínač do polohy vypnuto a potom Zapnout.

MOTOROVÁ OCHRANA ZÁVISLÁ NA ZATÍŽENÍ

Při vyšším zatížení motoru je aktivována ochrana proti přetížení. Vrtací kladivo běží pomalu dále, aby se ochladilo vinutí motoru. Teprve po dostatečném ochlazení vinutí je možné zapnutí vrtacího kladiva. Pro tento účel vrtací kladivo vypnout a znovu zapnout.

MĚKKÝ PŘÍKLEP

V závislosti na zpracovávaném materiálu může měkký příklep zřetelně zkrátit vrtací dobu nebo prodloužit životnost diamantového segmentu.

PRACOVNÍ POKYNY

Za účelem dosažení lepšího vrtacího účinku vytáhněte po asi 10-15 mm hloubky vrtu středící vrták, zasaďte vrtací korunku do vzniklé rýhy a nechte stroj pomalu rozběhnout.

Vrty, které se nemusí přesně nasadit, se mohou provést bez středícího vrtáku. V tom případě nasadte vrtací korunku šikmo a od hloubky vrtu zhruba 5 mm pomalu zvedejte stroj do kolmé polohy. (Možno provádět jen u krátkých vrtacích korunek.)

Kdyby se vrtná jádra uvolnila, vytáhněte vrtací korunku z materiálu a odstraňte vrtná jádra.

Naostřená vrtací korunka usnadňuje použití a vrtací účinek. Možnosti ostření: vápenopísková cihla nebo brusná destička.

ÚDRŽBA

Větrací štěrbinu nářadí udržujeme stále čisté.

Při častém příklepovém provozu je třeba sklíčidlo pravidelně zbavovat prachu. Za tím účelem podržte stroj tak, aby sklíčidlo směřovalo kolmo dolů a otevřete a zavírejte sklíčidlo v celém upínacím rozsahu. Tak z něj vypadne nahromaděný prach.

Doporučuje se také pravidelné používání čistícího spreje (čís. 4932 6217 19) na upínací čelisti a na otvory upínacích čelistí.

Dojde-li k poškození přívodního kabelu, nechte jej vyměnit v autorizovaném servisu, protože k výměně je zapotřebí speciální nástroj.

Používejte výhradně náhradní díly a příslušenství Milwaukee. Díly, jejichž výměna nebyla popsána, nechávejte vyměnit v odborném servisu Milwaukee. (Viz záruční list.)

Při potřebě podrobného rozkresu konstrukce, oslovte informaci o typu a čísle přímo servis a nebo výrobce, Techtronic Industries GmbH, Max-Eyth-Straße 10, 71364 Winnenden, Germany.

SYMBOLY



POZOR! VAROVÁNÍ! NEBEZPEČÍ!



Před zahájením veškerých prací na stroji vytáhnout síťovou zástrčku ze zásuvky.



Před spuštěním stroje si pečlivě přečtěte návod k používání.



Příslušenství není součástí dodávky, viz program příslušenství.



Odpadní elektrická a elektronická zařízení se nesmějí likvidovat společně s domovním odpadem.

Odpadní elektrická a elektronická zařízení je nutné sbírat a likvidovat odděleně. Před likvidací odstraňte ze zařízení osvětlovací prostředky. Informujte se na místních úřadech nebo u vašeho odborného prodejce ohledně recyklačních dvorů a sběrných míst.

Podle místních ustanovení mohou maloobchodní prodejci povinni bezplatně odebrat zpět odpadní elektrická a elektronická zařízení.

Opětovným použitím a recyklací vašeho odpadu z odpadních elektrických a elektronických zařízení přispíváte ke snížení potřeby surovin.

Odpadní elektrická a elektronická zařízení obsahují cenné, opětovně použitelné materiály, které při ekologické likvidaci nemohou mít negativní účinky na životní prostředí a vaše zdraví.

Před likvidací pokud možno vymažte na vašem odpadním přístroji existující osobní údaje.



Elektrický přístroj s třídou ochrany II. Elektrický přístroj, u kterého ochrana před zásahem el. proudem závisí nejen na základní izolaci, ale i na tom, že budou použita také doplňková ochranná opatření, jakými jsou dvojité izolace nebo zesílená izolace. Neexistuje žádné zařízení pro připojení ochranného vodiče.

n

Volnoběžné otáčky

V

Napětí



Střídavý proud



Značka shody v Evropě



Značka shody v Británii



Regulatory Compliance Mark (RCM). Produkt splňuje platné předpisy.



Značka shody na Ukrajině



Značka shody pro oblast Eurasie

Výrobné číslo.....	3686 91 05...
.....	...000001-999999
Menovitý príkon.....	1500 W
Výkon.....	820 W
Otáčky naprázdno v 1. prevodovom stupni.....	0-1500 min ⁻¹
Otáčky naprázdno v 2. prevodovom stupni.....	0-3000 min ⁻¹
Max. otáčky pri záťaži v 1. prevodovom stupni.....	890 min ⁻¹
Max. otáčky pri záťaži v 2. prevodovom stupni.....	1770 min ⁻¹
Max. počet úderov.....	48000 min ⁻¹
Priemer vrtu do: 1. prevodový stupeň.....	80-162 mm
Priemer vrtu do: 2. prevodový stupeň.....	32-90 mm
Vŕtacie vreteno.....	M18
Priemer upínacieho hrdla.....	57 mm
Hmotnosť podľa vykonávacieho predpisu EPTA 01/2014.....	4,2 kg

Informácia o hluku

Namerané hodnoty určené v súlade s EN 62841.

V triede A posudzovaná hladina hluku prístroja číni typicky:

Hladina akustického tlaku (Kolísavosť K=3dB(A)).....	100 dB (A)
Hladina akustického výkonu (Kolísavosť K=3dB(A)).....	111 dB (A)

Používajte ochranu sluchu!

Informácie o vibráciách

Celkové hodnoty vibrácií (vektorový sú et troch smerov) zistené v zmysle EN 62841.

Hodnota vibračných emisií a _h	
Vŕtanie kovov.....	2,3 m/s ²
Kolísavosť K=.....	1,5 m/s ²
Vŕtanie betónu s prisklepaním.....	18,3 m/s ²
Kolísavosť K=.....	1,5 m/s ²
Vŕtanie betónu s prisklepaním s diamantovou vŕtaciou korunkou.....	14,8 m/s ²
Kolísavosť K=.....	1,5 m/s ²

POZOR

Úroveň vibrácií a emisií hluku uvedená v tomto informačnom liste bola meraná v súlade so štandardizovanou skúškou uvedenou v EN 62841 a môže sa použiť na porovnanie jedného nástroja s druhým. Môže sa použiť v predbežnom posúdení expozície.

Deklarovaná úroveň vibrácií a emisií hluku predstavuje hlavné aplikácie nástroja. Ak sa však nástroj používa pre rôzne aplikácie, s rôznym príslušenstvom alebo s nedostatočnou údržbou, môžu sa vibrácie a emisie hluku líšiť. To môže výrazne zvýšiť úroveň expozície počas celej pracovnej doby.

Odhad úrovne expozície vibráciám a hluku by mal tiež brať do úvahy časy, keď je nástroj vypnutý alebo keď beží, ale v skutočnosti nevykonáva prácu. To môže výrazne znížiť úroveň expozície počas celej pracovnej doby.

Identifikujte dodatočné bezpečnostné opatrenia na ochranu pracovníka obsluhy pred účinkami vibrácií a/alebo hluku, ako je: údržba nástroja a príslušenstva, udržanie teplých rúk, organizácia pracovných schém.

VAROVANIE! Prečítajte si všetky výstražné upozornenia, pokyny, znázornenia a špecifikácie pre toto elektrické náradie. Zanedbanie pri dodržiavaní výstražných upozornení a pokynov uvedených v nasledujúcom texte môže mať za následok zásah elektrickým prúdom, spôsobíť požiar a/alebo ťažké poranenie. Tieto Výstražné upozornenia a bezpečnostné pokyny starostlivo uschovajte na budúce použitie.

BEZPEČNOSTNÉ PREDPISY PRE VRTAČKU S DIAMANTOVÝM VRTÁKOM

Bezpečnostné pokyny pre všetky operácie

Držte elektrické náradie za izolované uchopovacie plochy pri vykonávaní operácie, kde sa rezne príslušenstvo alebo upevňovače môžu dostať do kontaktu so skrytým vedením alebo s vlastnou šnúrou. Rezné príslušenstvo alebo upevňovače, ktoré sa dotýkajú „živého“ vedenia, môžu vystavené kovové časti elektrického náradia urobiť „živými“ a môžu spôsobiť úraz elektrickým prúdom pracovníkovi obsluhy.

Používajte prídavné rukoväte dodané spolu s prístrojom. Strata kontroly nad strojom môže viesť k zraneniu.

Pred začiatkom práce podržte prístroj pevne za na to určenú rukoväť. Tento prístroj vytvára vysoký výstupný krútiaci moment a keď sa počas prevádzky nedrží dobre pevne, mohli by ste stratiť nad ním kontrolu a poraniť sa.

Bezpečnostné pokyny na použitie dlhých výmenných nadstavcov na vŕtanie

Nikdy nepoužívajte vyššie otáčky ako maximálne otáčky, ktoré sú uvedené pre vrták. Pri vyšších otáčkach sa môže vrták ohnúť, keď sa točí k obrobku bez kontaktu, čo môže viesť k zraneniam.

Prístroj vždy spúšťajte s nízkymi otáčkami a počas toho, ako sa vrták nachádza v kontakte s obrobkom. Pri vyšších otáčkach sa môže vrták ohnúť, keď sa točí k obrobku bez kontaktu, čo môže viesť k zraneniam.

Tlak vyvíjajte vždy iba v priamom nasmerovaní k vrtáku a prístroj neprítlačajte príliš pevne. Vrtáky sa môžu ohnúť a zlomiť alebo môžu viesť k strate kontroly nad prístrojom, čím môže znova dôjsť k zraneniam.

Zabudovaná spojka presmykuje len pri prudkom zablokovaní, preto je potrebné vzdy pozvať prídavnú rukoväť.

Použite ochranné vybavenie. Pri práci s elektrickým náradím používajte vždy ochranné okuliare. Doporučujeme taktiež použitie súčastí ochranného odevu a ochrannej obuvi, ako sú protiprašná maska, ochranné rukavice, pevná a nekĺžajúca obuv, ochranná prilba a ochrana sluchu.

Prach vznikajúci pri práci môže byť škodlivý zdraviu. Pri práci nosiť vhodnú ochrannú masku, aby sa nedostal do ľudského organizmu.

Nesmú sa opravovať materiály, ktoré môžu spôsobiť ohrozenie zdravia (napr. azbest)

Pri zablokovaní nasadeného nástroja prístroj okamžite vypnite! Prístroj nezapínajte, pokiaľ je nasadený nástroj zablokovaný; mohol by pri tom vzniknúť spätný náraz s vysokým reakčným momentom. Príčinu zablokovania nasadeného nástroja zistíte a odstránite so zohľadnením bezpečnostných pokynov.

Možnými príčinami môžu byť:

- spriečenie v opracovávanom obrobku
- prelomenie opracovávaného materiálu
- preťaženie elektrického prístroja

Nezasahujte do bežiaceho stroja.

Nasadený nástroj sa počas používania môže rozhorčiť.

POZOR! Nebezpečenstvo popálenia

- pri výmene nástroja
- pri odkladaní prístroja

Triesky alebo úlomky sa nesmú odstraňovať za chodu stroja.

Pripojovací kábel držte mimo pracovnej oblasti stroja. Kábel smerujte vždy smerom dozadu od stroja.

Pri práci v stene, strope alebo v podlahe dávajte pozor na elektrické káble, plynové a vodovodné potrubia.

Obrobok zabezpečte upínacím zariadením. Nezabezpečené obrobky môžu spôsobiť ťažké poranenia a poškodenia.

Pred každou prácou na stroji vytiahnite zástrčku zo zásuvky.

Pri veľkých priemeroch vŕtania musí byť prídavná rukoväť upevnená kolmo na hlavnú rukoväť. Vid' obrazovú časť, odsek "pootočiť rukoväť".

POUŽITIE PODĽA PREDPISOV

Diamantová vŕtačka je určená na suché vŕtanie s diamantovou vŕtaciou korunkou. Prístroj s nasadeným skľučovadlom je vhodný na príklepové vŕtanie do kameňa a vŕtanie do dreva a ocele. Prístroj nie je vhodný na mokré vŕtanie do betonu.

Tento prístroj sa smie používať len v súlade s uvedenými predpismi.

My ako výrobca výhradne na vlastnú zodpovednosť vyhlasujeme, že výrobok popísaný v "Technických údajoch" sa zhoduje so všetkými relevantnými predpismi smernice 2011/65/EU (RoHS), 2014/30/EU, 2006/42/ES a nasledujúcimi harmonizujúcimi normatívnymi dokumentmi:

- EN 62841-1:2015
- EN 62841-2-1:2018+A11:2019
- EN 55014-1:2017+A11:2020
- EN 55014-2:2015
- EN 61000-3-2:2014
- EN 61000-3-3:2013
- EN IEC 63000:2018

Winnenden, 2021-01-20



Alexander Krug
Managing Director



Spinomocnený zostaviť technické podklady.

Techtronic Industries GmbH
Max-Eyth-Straße 10
71364 Winnenden
Germany

SIETOVÁ PRÍPOJKA

Zásuvky vo vonkajšom prostredí musia byť vybavené ochranným spínačom proti prúdovému nárazom (FI, RCD, PRCD). Toto je inštalčný predpis na Vaše elektrické zariadenie. Venujte prosím tomuto pozornosť pri používaní nášho prístroja.

Pripájajte len na jednofázový striedavý prúd a na sieťové napätie uvedené na štítku. Pripojenie je možné aj do zásuviek bez ochranného kontaktu, pretože ide o konštrukciu ochrannej triedy II.

Do zásuvky pripájajte len vypnutý prístroj.

OCHRANA PROTI OPĀTOVNÉMU NÁBEHU

Spínač nulového napätia zabraňuje samočinnému spusteniu stroja pri výpadku prúdu. Po obnovení dodávky prúdu je potrebné stroj vypnúť a opäť zapnúť.

OCHRANA MOTORA ZÁVISLÁ OD ZAĀAŽENIA

Pri vysokom preťažení motora sa spustí ochrana proti preťaženiu. Stroj zotráva v pomalých otáčkach kvôli chladeniu vynutia motora. Opätovné spustenie je možné až po dostatočnom ochladení, preto je stroj potrebné vypnúť a opäť zapnúť.

POKYNY KU PRÁCI

V závislosti od opracovávaného materiálu moze jemny uder znamenat vyrazne skratenie casu vrtania alebo dlhsiu zivotnost diamantovych segmentov.

NAPOTKI ZA DELO

K dosiahnutiu vyššej účinnosti vŕtania je potrebné pri hĺbke vrtu cca 10-15 mm centrovací vrták vytiahnuť, vrtaciu korunu vsadiť späť do drážky a stroj pomaly rozbehnúť.

Vrty, ktoré nevyžadujú exaktnú polohu je možné vykonať bez centrovacieho vrtáku. V takomto prípade vrtaciu korunu spočiatku nasmerovať šikmo a po dosiahnutí hĺbky vrtu cca 5 mm stroj pomaly vyrovnáť. (možné len pri krátkych vŕtaciach korunach).

Ak by došlo k uvoľneniu vrtných jadier, je potrebné vrtaciu korunu z materiálu vytiahnuť a uvoľnené vrtné jadrá odstrániť.

Nabrúsená vrtacia koruna zvyšuje komfort a rýchlosť práce. Možnosti brúsenia: vo vápencovom pieskovi alebo v brúsnej platni.

ÚDRŽBA

Vetracie otvory udržiavať stále v čistote.

Pri častom vrtaní s príklepom by malo byť sklúčovadlo pravidelne čistené od prachu. K tomu je potrebné stroj nasmerovať sklúčovadlom kolmo nadol a v celom upínacom rozsahu sklúčovadlo rozotvoriť a zatvoriť. Nazbieraný prach takto zo sklúčovadla vypadne.

Odporúča sa pravidelná aplikácia čistiaceho spreju (id.č. 4932 6217 19) na upínacie čeluste a na vrtania upínacích čelustí.

Aj dôjde k poškodeniu prírodného kábla, nechajte ho vymeniť v autorizovanom servise, pretože k výmene je potrebný špeciálny nástroj.

Používať len Milwaukee príslušenstvo a náhradné diely. Súčiastky bez návodu na výmenu treba dat vymeniť v jednom z Milwaukee zákaznických centier (viď brožúru Záruka/Adresy zákaznických centier).

Pri udaní typu stroja a čísla nachádzajúceho sa na štítku dá sa v prípade potreby vyžiadať explozívna schéma prístroja od vášho zákaznického centra alebo priamo v Techtronic Industries GmbH, Max-Eyth-Straße 10, 71364 Winnenden, Germany.

SYMBOLY



POZOR! NEBEZPEČENSTVO!



Pred každou prácou na stroji vytiahnite zástrčku zo zásuvky.



Pred prvým použitím prístroja si pozorne prečítajte návod na obsluhu.



Príslušenstvo - nie je súčasťou štandardnej výbavy, odporúčané doplnenie z programu príslušenstva.



Odpad z elektrických a elektronických zariadení sa nesmie likvidovať spolu s domovým odpadom. Odpad z elektrických a elektronických zariadení treba zbierať a likvidovať oddelene. Pred likvidáciou odstráňte zo zariadení osvetľovacie prostriedky. Informujte sa pri miestnych úradoch alebo u vášho odborného predajcu o hľadom recyklačných dvorov a zberných miest. Podľa miestnych ustanovení môžu maloobchodní predajcovia byť povinní bezplatne zobrať späť odpad z elektrických a elektronických zariadení. Opätovným použitím a recykláciou vášho odpadu z elektrických a elektronických zariadení prispievate k zníženiu potreby surovín. Odpad z elektrických a elektronických zariadení obsahuje cenné, opätovne použiteľné materiály, ktoré pri ekologickej likvidácii nemôžu mať negatívne účinky na životné prostredie a vaše zdravie. Pred likvidáciou podľa možnosti vymeňte na vašom použití prístroji existujúce osobné údaje.

	Elektrický prístroj triedy ochrany II. Elektrický prístroj, pri ktorom ochrana pred zásahom el. prúdom závisí nie len od základnej izolácie, ale aj od toho, že budú použité aj doplnkové ochranné opatrenia, akými sú dvojité izolácia alebo zosilnená izolácia. Neexistuje žiadne zariadenie na pripojenie ochranného vodiča.
n_0	Otáčky naprázdno
\checkmark	Napätie
	Striedavý prúd
	Značka zhody v Európe
	Značka zhody v Británii
	Regulatory Compliance Mark (RCM). Produkt spĺňa platné predpisy.
	Značka zhody na Ukrajine
	Značka zhody pre oblasť Eurázie

DANE TECHNICZNE WIERTARKA DIAMENTOWA DD2-160 XE (220-240V)

Numer produkcyjny.....	3686 91 05... ..000001-999999
Znamionowa moc wyjściowa.....	1500 W
Moc wyjściowa.....	820 W
Prędkość bez obciążenia na pierwszym biegu.....	0-1500 min ⁻¹
Prędkość bez obciążenia na drugim biegu.....	0-3000 min ⁻¹
Maksymalna prędkość obrotowa pod obciążeniem na pierwszym biegu.....	890 min ⁻¹
Maksymalna prędkość obrotowa pod obciążeniem drugi bieg.....	1770 min ⁻¹
Częstotliwość udaru.....	48000 min ⁻¹
Zdolność wiercenia w: 1 bieg.....	80-162 mm
Zdolność wiercenia w: 2 bieg.....	32-90 mm
Chwył napędu.....	M18
Średnica szyjki uchwytu.....	57 mm
Ciężar wg procedury EPTA 01/2014.....	4,2 kg

Informacja dotycząca szumów

Zmierzone wartości wyznaczono zgodnie z normą EN 62841.

Poziom szumów urządzenia oszacowany jako A wynosi typowo:

Poziom ciśnienia akustycznego (Niepewność K=3dB(A))..... 100 dB (A)

Poziom mocy akustycznej (Niepewność K=3dB(A))..... 111 dB (A)

Należy używać ochroniaczy uszu!

Informacje dotyczące wibracji

Wartości łączne drgań (suma wektorowa trzech kierunków) wyznaczone zgodnie z normą EN 62841

Wartość emisji drgań a_h

Wiercenie w metalu..... 2,3 m/s²

Niepewność K=..... 1,5 m/s²

Wiercenie udarowe w betonie..... 18,3 m/s²

Niepewność K=..... 1,5 m/s²

Wiercenie udarowe w betonie z koronką diamentową do cięcia na sucho..... 14,8 m/s²

Niepewność K=..... 1,5 m/s²

OSTRZEŻENIE

Poziom drgań i emisji hałasu podany w niniejszej instrukcji zmierzono zgodnie ze standardową metodą badania wg EN 62841 i można ją wykorzystać do porównania narzędzia z innym narzędziem. Można go wykorzystać przy wstępnej ocenie narażenia.

Deklarowany poziom emisji drgań i hałasu reprezentuje główne zastosowania narzędzia. Jeśli jednak narzędzie jest używane do różnych zastosowań, z różnymi akcesoriami lub w przypadku nieprawidłowej konserwacji, emisja drgań i hałasu może się różnić. Może to znacznie zwiększyć poziom narażenia w całym okresie eksploatacji narzędzia.

Oszacowanie poziomu narażenia na wibracje i hałas powinno również uwzględniać czasy, kiedy narzędzie jest wyłączone lub kiedy jest włączone, ale nie pracuje. Może to znacznie obniżyć poziom ekspozycji w całym okresie eksploatacji narzędzia.

Należy zidentyfikować dodatkowe środki bezpieczeństwa w celu ochrony operatora przed skutkami wibracji i/hałasu, takie jak: utrzymywanie narzędzia i akcesoriów w nienagannym stanie, utrzymywanie ciepła rąk, organizacja pracy.

OSTRZEŻENIE! Należy przeczytać wszystkie

wskazówki bezpieczeństwa, instrukcje, opisy i

specyfikacje dotyczące tego elektronarzędzia.

Zaniedbania w przestrzeganiu poniższych wskazówek mogą spowodować porażenie prądem, pożar i/lub ciężkie obrażenia ciała.

Należy starannie przechowywać wszystkie przepisy i

wskazówki bezpieczeństwa dla dalszego zastosowania.

WSKAZÓWKI BEZPIECZEŃSTWA DOT. WIERTARKI DIAMENTOWEJ

Instrukcje bezpieczeństwa dla wszystkich czynności

Podczas wykonywania czynności trzymać elektronarzędzie za izolowane powierzchnie uchwytu, ponieważ narzędzia tnące lub elementy mocujące mogą wejść w kontakt z ukrytymi kablami lub z przewodem własnym urządzenia. Wejście narzędzi tnących lub elementów mocujących w kontakt z przewodem będącym pod napięciem może spowodować, że zewnętrzne metalowe części elektronarzędzia znajdą się pod napięciem, stanowiąc dla operatora ryzyko porażenia prądem.

Stosować uchwytty pomocnicze dostarczone z narzędziem. Utrata kontroli może spowodować obrażenia.

Przed rozpoczęciem pracy narzędzie należy chwycić pewnie za odpowiedni uchwyt. Niniejsze narzędzie wytwarza wysoki zdawczy moment obrotowy i w przypadku, gdy użytkownik będzie trzymał je niepewnie w trakcie pracy, może utracić nad nim kontrolę i doznać obrażeń.

Wskazówki bezpieczeństwa dotyczące stosowania długich wiertel

Nigdy nie należy przekraczać maksymalnej liczby obrotów podanej dla danego wiertła. W przypadku wysokich obrotów może dojść do wygięcia wiertła w momencie jego kontaktu z obrabianym elementem, co może doprowadzić do obrażeń.

Należy zawsze zaczynać od niskich obrotów i pracować na nich w momencie kontaktu wiertła z obrabianym elementem. W przypadku wysokich obrotów może dojść do wygięcia wiertła w momencie jego kontaktu z obrabianym elementem, co może doprowadzić do obrażeń.

Zawsze należy naciskać tylko w bezpośrednim kierunku na wiertło i nie używać przy tym nadmiernej siły. Może dojść do wygięcia i złamania wiertła lub do utraty kontroli nad narzędziem, co może natomiast doprowadzić do obrażeń.

DODATKOWE WSKAZÓWKI BEZPIECZENSTWA I INSTRUKCJE ROBOCZE

Wbudowane sprzęgło poślizgowe reaguje tylko przy szarpającym zablokowaniu, dlatego zawsze stosować uchwyt dodatkowy.

Stosować wyposażenie ochronne. Przy pracy maszyną zawsze nosić okulary ochronne. Zalecana jest odzież ochronna, jak maska pyłochronna, rękawice ochronne, mocne i chroniące przed poślizgiem obuwie, kask i ochronniki słuchu.

Kurz powstający przy pracy z tym elektronarzędziem może być szkodliwy dla zdrowia, w związku z tym nie powinien dotrzeć do ciała. Nosić odpowiednią maskę przeciwpyłową.

Nie wolno obrabiać materiałów, które mogą być przyczyną zagrożenia zdrowia (na przykład azbestu).

W przypadku zablokowania narzędzia nasadzanego należy natychmiast wyłączyć urządzenie! Nie należy ponownie włączać urządzenia tak długo, jak długo narzędzie nasadzone jest zablokowane; przy tym mógłby powstać odrzut zwrotny o dużym momencie reakcyjnym. Należy wykryć i usunąć przyczynę zablokowania narzędzia nasadzanego uwzględniając wskazówki dotyczące bezpieczeństwa.

Możliwymi przyczynami tego mogą być:

- Skośne ustawienie się w poddawanych obróbce przedmiocie obrabianym
- Przerwanie materiału poddawanego obróbce
- Przeciążenie narzędzia elektrycznego

Nie należy sięgać do wnętrza maszyny będącej w ruchu.

Narzędzie nasadzone może w trakcie użytkowania stać się gorące.

OSTRZEŻENIE! Niebezpieczeństwo oparzenia się

- przy wymianie narzędzia
- przy odstawianiu urządzenia

Podczas pracy elektronarzędzia nie wolno usuwać trocin ani drzazg.

Kabel zasilający nie może znajdować się w obszarze roboczym elektronarzędzia. Powinien on się zawsze znajdować się za operatorem.

Podczas pracy przy ścianach, sufitach i podłodze należy uważać na kable elektryczne, przewody gazowe i wodociągowe.

Należy zabezpieczyć przedmiot poddawany obróbce za pomocą urządzenia mocującego. Niezabezpieczone przedmioty poddawane obróbce mogą spowodować ciężkie obrażenia ciała i uszkodzenia.

Przed przystąpieniem do jakichkolwiek prac związanych z elektronarzędziem należy wyjąć wtyczkę z gniazdka.

Przy pracy z wiertłami o dużych średnicach uchwyt pomocniczy należy zamocować pod kątem prostym w stosunku do uchwytu głównego (patrz ilustracje, rozdział "Obrót uchwytu").

WARUNKI UŻYTKOWANIA

Wiertarka diamentowa może być użyta do wiercenia z zastosowaniem koronki rdzeniowej diamentowej. Z nałożonym uchwytem wiertarskim maszyna nadaje się do wiercenia udarowego w kamieniu oraz do wiercenia w drewnie i stali. Maszyna nie nadaje się do wiercenia piłczkowego (na mokro) w betonie.

Produkt można użytkować wyłącznie zgodnie z jego normalnym przeznaczeniem.

DEKLARACJA ZGODNOŚCI WE

Jako producent oświadczamy na naszą wyłączną odpowiedzialność, że produkt opisany w punkcie „Dane techniczne” jest zgodny ze wszystkimi istotnymi przepisami Dyrektywy 2011/65/EU (RoHS), 2001/4/UE, 2006/42/WE oraz z następującymi zharmonizowanymi dokumentami normatywnymi:

EN 62841-1:2015
EN 62841-2-1:2018+A11:2019
EN 55014-1:2017+A11:2020
EN 55014-2:2015
EN 61000-3-2:2014
EN 61000-3-3:2013
EN IEC 63000:2018

Winnenden, 2021-01-20

Alexander Krug
Managing Director



Upelnomocniony do zestawienia danych technicznych

Techtronic Industries GmbH
Max-Eyth-Straße 10
71364 Winnenden
Germany

PODŁĄCZENIE DO SIECI

Urządzenia pracujące w wielu różnych miejscach, w tym poza pomieszczeniami zamkniętymi, należy podłączać poprzez ochronny (FI, RCD, PRCD) wyłącznik udarowy.

Podłączać tylko do źródła zasilania prądem zmiennym jednofazowym i wyłącznie o napięciu podanym na tabliczce znamionowej. Możliwe jest również podłączenie do gniazdka bez uziemienia, ponieważ konstrukcja odpowiada II klasie bezpieczeństwa.

Przed włożeniem wtyczki do gniazdka upewnić się, czy urządzenie jest wyłączone.

ZABEZPIECZENIE PRZED PONOWNYM URUCHOMIENIEM

Łącznik działający przy napięciu zerowym zapobiega uruchomieniu się narzędzia po przerwie w dopływie energii elektrycznej. Przy podejmowaniu pracy na nowo należy wyłączyć urządzenie i włączyć je ponownie.

OCHRONA SILNIKA PRZY PRZECIĄŻENIU

Przy zbyt dużym obciążeniu uruchamia się urządzenie ochronne silnika. Elektronarzędzie pracuje nadal na wolnych obrotach umożliwiając schłodzenie silnika. Dopiero po właściwym ochłodzeniu silnik można uruchomić ponownie, wyłączając i włączając elektronarzędzie.

ZALECENIA EKSPLOATACYJNE

Zależnie od obrabianego materiału udar soft może powodować wyraźną redukcję czasu wiercenia lub dłuższą trwałość segmentów diamentowych.

WSKAZÓWKI DOTYCZĄCE UŻYTKOWANIA

Dla osiągnięcia większego postępu wiercenia po ok. 10-15 mm głębokości wiercenia wyjąć nawiertak, w istniejący rowek włożyć koronkę wiertniczą i powoli uruchomić maszynę.

Otwory, które nie muszą być dokładnie osadzone, mogą być wiercone bez nawiertaka. W tym celu przyłożyć koronkę wiertniczą ukośnie i począwszy od głębokości otworu ok. 5 mm maszynę powoli wyprostować, tzn. ustawić prostopadle (możliwe tylko przy krótkich koronkach wiertniczych).

W razie oddzielenia się rdzeni wiertniczych, wyciągnąć koronkę wiertniczą z materiału i usunąć rdzenie wiertnicze.

Naostrzona koronka wiertnicza ułatwia stosowanie i postęp wiercenia. Możliwość ostrzenia: w piaskowcu wapiennym lub w płycie do ostrzenia.

UTRZYMANIE I KONSERWACJA

Otwory wentylacyjne elektronarzędzia muszą być zawsze drożne.

Jeśli elektronarzędzie używa się głównie do wiercenia udarowego, należy regularnie oczyszczać uchwyt narzędziowy z pyłu. Trzymając elektronarzędzie uchwytem pionowo skierowane w dół, należy go całkowicie otworzyć, a następnie zamknąć. Nagromadzony pył wyleci z uchwytu.

Zaleca się regularne czyszczenie szcęk zaciskowych i usuwanie wirów wiertarskich przy pomocy środka czyszczącego (Nr. ident. 4932 6217 19).

Jeżeli kabel zasilania sieciowego jest uszkodzony, musi on być wymieniony przez serwis naprawczy, ponieważ niezbędne jest specjalne narzędzie.

Należy stosować wyłącznie wyposażenie dodatkowe i części zamienne Milwaukee. W przypadku konieczności wymiany części, dla których nie podano opisu, należy skontaktować się z przedstawicielami serwisu Milwaukee (patrz lista punktów obsługi gwarancyjnej/serwisowej).

Na życzenie można otrzymać rysunek widoku zespołu rozebranego. Przy zamawianiu należy podać numer oraz typ elektronarzędzia umieszczony na tabliczce znamionowej. Zamówienia można dokonać albo u lokalnych przedstawicieli serwisu, albo bezpośrednio w Techtronic Industries GmbH, Max-Eyth-Straße 10, 71364 Winnenden, Germany.

SYMBOLE



UWAGA! OSTRZEŻENIE
NIEBEZPIECZENSTWO!



Przed przystąpieniem do jakichkolwiek prac związanych z elektronarzędziem należy wyjąć wtyczkę z gniazdka.



Przed uruchomieniem elektronarzędzia zapoznać się uważnie z treścią instrukcji.



Wyposażenie dodatkowe dostępne osobno.



Zużyty sprzęt elektryczny i elektroniczny nie może być usuwany razem z odpadami pochodzącymi z gospodarstw domowych. Zużyty sprzęt elektryczny i elektroniczny należy gromadzić i usuwać oddzielnie. Przed utylizacją należy usunąć źródła światła z urządzeń. Proszę zasięgnąć informacji o centrach recyklingowych i punktach zbiorczych u władz lokalnych lub u wyspecjalizowanego dostawcy. W zależności od lokalnych przepisów, sprzedawcy detaliczni mogą być zobowiązani do bezpłatnego odbioru zużytego sprzętu elektrycznego i elektronicznego. Poprzez ponowne wykorzystanie i recykling zużytego sprzętu elektrycznego i elektronicznego pomagamy zmniejszać zapotrzebowanie na surowce. Zużyty sprzęt elektryczny i elektroniczny zawiera cenne materiały nadające się do recyklingu, które mogą mieć negatywny wpływ na środowisko naturalne i zdrowie użytkownika, jeśli nie zostaną zutylizowane w sposób przyjazny dla środowiska. Przed utylizacją zużytego sprzętu należy usunąć wszelkie zamieszczone na nim dane osobowe.



Elektronarzędzie klasy ochrony II. Elektronarzędzie, w którym zabezpieczenie przed porażeniem prądem zależy nie tylko od izolacji podstawowej, lecz również od tego, czy zostały zastosowane dodatkowe środki ochrony, takie jak: izolacja podwójna lub izolacja wzmocniona. Nie ma żadnego urządzenia do podłączenia przewodu ochronnego.



Prędkość bez obciążenia



Napięcie



Prąd przemienny



Europejski Certyfikat Zgodności



Brytyjski Certyfikat Zgodności



Regulatory Compliance Mark (RCM). Produkt spełnia obowiązujące przepisy.



Ukraiński Certyfikat Zgodności



Euroazjatycki Certyfikat Zgodności

MŰSZAKI ADATOK	GYÉMÁNTFŰRÖGÉP	DD2-160 XE (220-240V)
Gyártási szám.....	3686 91 05...	...000001-999999
Névleges teljesítményfelvétel.....	1500 W	820 W
Leadott teljesítmény.....	0-1500 min ⁻¹	0-3000 min ⁻¹
Üresjárat fordulatszám alatt 1. sebességben.....	890 min ⁻¹	1770 min ⁻¹
Üresjárat fordulatszám 2. Fokozatban.....	4800 min ⁻¹	80-162 mm
Fordulatszám terhelés alatt max. 1. sebességben.....	32-90 mm	M18
Fordulatszám terhelés alatt max. 2. Fokozatban.....	57 mm	4,2 kg
Ütésszám max.....		
Furat-Ø: 1. Fokozat.....		
Furat-Ø: 2. Fokozat.....		
Fúró tengely.....		
Feszítőnyak-Ø.....		
Súly a 01/2014 EPTA-eljárás szerint.....		

Zajinformáció

A közölt értékek megfelelnek az EN 62841 szabványoknak.

A készülék munkahelyi zajszintje tipikusan:

Hangnyomás szint (K bizonytalanság=3dB(A))..... 100 dB (A)

Hangteljesítmény szint (K bizonytalanság=3dB(A))..... 111 dB (A)

Hallásvédő eszköz használata ajánlott!

Vibráció-információk

Összesített rezgésértékek (három irány vektoriális összegaz

EN 62841-nek megfelelően meghatározva.

a^h rezgésemisszió érték

Fúrás fémben..... 2,3 m/s²

K bizonytalanság..... 1,5 m/s²

Útvefúrás betonban..... 18,3 m/s²

K bizonytalanság..... 1,5 m/s²

Útvefúrás betonban Gyémánt fúrókoronával..... 14,8 m/s²

K bizonytalanság..... 1,5 m/s²

FIGYELMEZTETÉS

Az adatlapon feltüntetett rezgés- és zajkibocsátási szint mérésére az EN 62841 szabványos vizsgálati módszere alapján került sor, és a kapott értékek az egyes szerszámok összehasonlítására használhatók. Az értékek az expozíció előzetes értékelésében használhatók.

A feltüntetett rezgés- és zajkibocsátási szint a szerszám főbb alkalmazásait tükrözi. Mindazonáltal, ha a szerszámot különböző alkalmazásokra, eltérő tartozékokkal használják, illetve a szerszám nincs megfelelően karbantartva, a rezgés- és zajkibocsátási szint eltérő lehet. Ez jelentősen növelheti az expozíciós szintet a teljes munkafolyamat során.

A rezgésnek és zajnak való expozíció becslést szintjét is figyelembe kell venni a szerszám kikapcsolásakor, illetve olyankor, ha a szerszám üzemel, de valójában nem történik vele munkavégzés. Ez jelentősen csökkentheti az expozíciós szintet a teljes munkafolyamat során.

Határozzon meg további biztonsági intézkedéseket, hogy védje a kezelőt a rezgés- és/vagy zajhatásoktól. Ilyen intézkedések pl.: a szerszámok és tartozékok karbantartása, a kéz melegen tartása, munkarend-szervezés.

▲ FIGYELMEZTETÉS! Olvassa el az elektromos kéziszerszámra vonatkozó összes biztonsági útmutatást, utasítást, ábrát és specifikációt. A következőkben leírt utasítások betartásának elmulasztása áramütésekhez, tűzhöz és/vagy súlyos testi sérülésekhez vezethet. **Kérjük a későbbi használatra gondosan őrizze meg ezeket az előírásokat.**

▲ BIZTONSÁGI ÚTMUTATÁSOK GYÉMÁNTFŰRÖGÉPHEZ

Biztonsági utasítások minden munkaművelethez

Olyan munkaművelet végzése során a gépi szerszámot a szigetelt megfogó felületnél fogja meg, ahol a vágószerszám vagy a rögzítőelemek rejtett vezetékkel vagy a saját zsinórral érintkezhetnek. Az áram alatt levő vezetékkel érintkező vágószerszám vagy rögzítőelemek miatt a gépi szerszám látszó fém alkatrészei szintén áram alá kerülhetnek, így a kezelőt villamos áramütés érheti.

Használja a készülékkel együtt szállított kézfogantyúkat. A készülék fölötti ellenőrzés elvesztése sérüléseket okozhat.

A munka megkezdése előtt erősen fogja meg a készüléket az e célra kialakított markolatnál. Ez a

TOVÁBBI BIZTONSÁGI ÉS MUNKAVÉGZÉSI UTASÍTÁSOK

A beépített csúszó-tengelykapcsoló csak hirtelen elakadáskor lép működésbe, ezért a pótfogantyút mindig használni kell.

Használjon védőfelszerelést! Ha a gépen dolgozik, mindig hordjon védőszemüveget! Javasoljuk a védőruházat, úgy mint porvédő maszk, védőcipő, erős és csúszásbiztos lábbeli, sisak és hálós védő használatát.

A munka során keletkező por gyakran egészségre káros, ezért ne kerüljön a szervezetbe

Hordjon e célra alkalmas porvédőmaszkot.

Nem szabad olyan anyagokat megmunkálni, amelyek egészségre veszélyesek (pl. azbesztet).

A betétszerszám elakadásakor azonnal ki kell kapcsolni a készüléket! Addig ne kapcsolja vissza a készüléket, amíg a betétszerszám elakadása fennáll; ennek során nagy ellennyomatékú visszarúgás történhet. Határozza és szüntesse meg a betétszerszám elakadásának okát a biztonsági útmutatások betartása mellett.

Ennek következők lehetnek az okai:

- a szerszám elakad a megmunkálandó munkadarabban
- a megmunkálandó anyag átszakadt
- az elektromos szerszám túlterhelése

Ne nyúljon a járó géphez.

A betétszerszám az alkalmazás során felforrósodhat.

FIGYELMEZTETÉS! Égési sérülések veszélye

- szárazcserekek
- a készülék lerakásakor

A munka közben keletkezett forgácsokat, szilánkokat, törmelékét, stb. csak a készülék teljes leállása után szabad a munkaterületről eltávolítani.

Munka közben a hálózati csatlakozókábelt a sérülés elkerülése érdekében a munkaterületől, illetve a készüléktől távol kell tartani.

Falban, földben, aljzatban történő fúrásnál fokozottan ügyelni kell az elektromos-, víz- és gázvezetésekre.

Biztosítsa a munkadarabot befogó szerkezettel. A nem biztosított munkadarabok súlyos sérüléseket és károkat okozhatnak.

Bármilyen jellegű karbantartás vagy javítás előtt a készüléket áramtalanítani kell.

Ha nagy átmérőjű fúróval dolgozik a segédfofogantyút a megfelelő szögbe kell állítani a főfogantyúhoz viszonyítva. (Lásd az illusztrációk fejezetben: "a fogantyú beállítás").

RENDELTESSZERŰ HASZNÁLAT

A gyémántfúró gép gyémánt száraz-koronafúróval végzett fúráshoz használható. Felhelyezett fúrótokmánnal a gép kőben útvefúráshoz, valamint fában és acélban fúráshoz használható. A gép nem alkalmas beton nedvesfúrásához.

A készüléket kizárólag az alábbiakban leírtaknak megfelelően szabad használni.

EK-MEGFELELŐSÉGI NYILATKOZAT

Gyártóként egyedüli felelősséggel kijelentjük, hogy a „Műszaki Adatok” alatt leírt termék a 2011/65/EK (RoHS), 2014/30/EU, 2006/42/EK irányelvek minden releváns előírásának, ill. az alábbi harmonizált normatív dokumentumoknak megfelel:

EN 62841-1:2015
EN 62841-2-1:2018+A11:2019
EN 55014-1:2017+A11:2020
EN 55014-2:2015
EN 61000-3-2:2014
EN 61000-3-3:2013
EN IEC 63000:2018

Winnenden, 2021-01-20



Alexander Krug
Managing Director



Műszaki dokumentáció összeállításra felhatalmazva

Techtronic Industries GmbH
Max-Eyth-Straße 10
71364 Winnenden
Germany

HÁLÓZATI CSATLAKOZTATÁS

Szabadban a dugaljat hibaáram-védőkapcsolóval kell ellátni. Az elektromos készülékek üzembelhelyezési útmutatása ezt kötelezően előírja (FI, RCD, PRCD). Ügyeljen erre az elektromos kéziszerszámok használatakor is.

A készüléket csak egyfázisú váltóáramra és a teljesítménytáblán megadott hálózati feszültségre csatlakoztassa. A csatlakoztatás védőérintkező nélküli dugaszolóaljzatokra is lehetséges, mivel a készülék felépítése II. védettségi osztályú.

Mielőtt áram alá helyezi a gépet, győződjön meg róla, hogy a gép ki van kapcsolva.

ÚJRAINDULÁS ELLENI VÉDELEM

A nullafeszültség-kapcsoló megakadályozza a gép újboli beindulását áramszünet után. Ismételt munkakezdésnél a gépet ki, majd megint be kell kapcsolni.

MOTORVÉDELEM TÚLTERHELÉS ESETÉN

A motor fokozott terhelése esetén működésbe lép a túlterhelés elleni védelem. A motor tekeréscselésének megfelelő Q hűtése érdekében a készülék alacsony fordulaton működik tovább. Kizárólag a megfelelő Q hQmérésüket elérése után lehet a készüléket újból a szükséges fordulaton működetni. Ilyen esetben a készüléket elQször ki majd újból be kell kapcsolni.

ÚTMUTATÁSOK A MUNKAVÉGZÉSHEZ

A megmunkált anyagtól függően a finomítás jelentős mértékben csökkentheti a fúrás idejét, vagy akár a gyémántszegmensek hosszabb élettartamát is eredményezheti.

A HASZNÁLATRA VONATKOZÓ ÚTMUTATÁSOK

Ha kb. 10–15 mm fúrásmélység után gyorsabban kíván haladni a fúrással, vegye ki a központozó fúró, helyezze be a fúrókoronát a kialakított mélyedésbe, majd lassan indítsa be a gépet.

Az olyan furatokat, melyeknél nem követelmény a nagy pontosság, központozó fúró nélkül is el lehet készíteni. Ilyen esetben tartsa ferdén a fúrókoronát, és kb. 5 mm fúrásmélységtől kezdve lassan vigye egyenesbe a gépet. (Csak rövid fúrókoronák esetén lehetséges).

Ha fűrómagok válnának le, húzza ki a fűrókoronát az anyagból, és távolítsa el a fűrómagokat.

A megélezett fűrókorona megkönnyíti az alkalmazást és a fűrás menetét. Élezési lehetőségek: Meszes homokkőben vagy élezőlapban.

KARBANTARTÁS

A készülék szellőzőnyílásait mindig tisztán kell tartani.

Gyakori útvefűrés esetén a tokmánt időről-időre meg kell tisztítani. A tisztításhoz fordítsa a készüléket tokmánnal lefelé és a tokmánt teljes befogási tartományban nyissa, illetve zárja. Az összegyűlt por kihullik a tokmányból.

Tisztítóspray (4932 6217 19) rendszeres használata a feszítőpofák és furataik tisztításához ajánlott.

Ha a hálózati csatlakozóvezeték megsérült, akkor azt ügyfélszolgálati hely által kell kicseréltetni, mert ahhoz speciális szerszám szükséges.

Javításhoz, karbantartáshoz kizárólag Milwaukee alkatrészeket és tartozékokat szabad használni. A készülék azon részeinek cseréjét, amit a kezelési útmutató nem engedélyez, kizárólag a javításra feljogosított márkaszerviz végezheti. (Lásd a szervizlistát)

Szükség esetén a készülékek robbantott ábráját - a készülék típusa és azonosító száma alapján a területileg illetékes Milwaukee márkaszerviztől vagy közvetlenül a gyártótól (Techtronic Industries GmbH, Max-Eyth-Straße 10, 71364 Winnenden, Germany) lehet kérni.

SZIMBÓLUMOK



FIGYELEM! FIGYELMEZTETÉS! VESZÉLY!



Bármilyen jellegű karbantartás vagy javítás előtt a készüléket áramtalanítani kell.



Kérjük alaposan olvassa el a tájékoztatót mielőtt a gépet használja.



Azokat a tartozékokat, amelyek gyárilag nincsenek a készülékhez mellékelve, külön lehet megrendelni.



Az elektromos és elektronikus berendezések hulladékait nem szabad a háztartási hulladékkal együtt ártalmatlanítani.

Az elektromos és elektronikus berendezések hulladékait elkülönítve kell gyűjteni és ártalmatlanítani.

Az ártalmatlanítás előtt távolítsa el az izzókat a berendezésekből. A helyi hatóságoknál vagy szakkereskedőjénél tájékozódjon a hulladékudvarokról és gyűjtőhelyekről.

A helyi rendelkezésektől függően a kiskereskedők kötelesek lehetnek az elektromos és elektronikus berendezések hulladékait ingyenesen visszavenni.

Az elektromos és elektronikus berendezések hulladékainak újrahasználatával és újrahasznosításával járuljon hozzá a nyersanyagszükséglet csökkentéséhez.

Az elektromos és elektronikus berendezések hulladékai értékes újrahasznosítható anyagokat tartalmaznak, melyek környezetvédelmi szempontból nem megfelelő ártalmatlanítás esetén negatív hatással lehetnek a környezetre és az Ön egészségére.

Ártalmatlanítás előtt törölje a használt készüléken lévő lehetséges személyes adatokat.



II. védelmi osztályú elektromos szerszám. Olyan elektromos szerszám, amelynél az elektromos áramütés elleni védelem nem csak az alapszigeteléstől függ, hanem amelyben kiegészítő védőintézkedéseket, mint pl. kettős szigetelés vagy megerősített szigetelés, alkalmaznak. Nincs lehetőség védőérintkező csatlakoztatására.



Üresjárat fordulatszám



Feszültség



Váltóáram



Európai megfelelőségi jelölés



Egyesült királyságbeli megfelelőségi jelölés



Regulatory Compliance Mark (RCM). A termék teljesíti az érvényben lévő előírásokat.



Ukrán megfelelőségi jelölés



Eurázsiai megfelelőségi jelölés

TEHNIČNI PODATKI

DIAMANTNI VRTALNIKI

DD2-160 XE (220-240V)

Proizvodna številka.....	3686 91 05...
	...000001-999999
Nazivna sprejemna moč.....	1500 W
Oddajna zmogljivost.....	820 W
Število vrtljajev v prostem teku v 1. prestavi.....	0-1500 min ⁻¹
Število vrtljajev v prostem teku v 2. prestavi.....	0-3000 min ⁻¹
Število vrtljajev pri obremenitvi v 1. prestavi.....	890 min ⁻¹
Število vrtljajev pri obremenitvi v 2. prestavi.....	1770 min ⁻¹
Število udarcev maks.....	48000 min ⁻¹
vrtalni ø v: 1. prestava.....	80-162 mm
vrtalni ø v: 2. prestava.....	32-90 mm
Vrtalno vreteno.....	M18
Vpenjalni vrat ø.....	57 mm
Teža po EPTA-proceduri 01/2014.....	4,2 kg

Informacije o hrupnosti

Vrednosti merjenja ugotovljene ustrezno z EN 62841.

Raven hrupnosti naprave ovrednotena z A, znaša tipično:

Nivo zvočnega tlaka (Nevarnost K=3dB(A))..... 100 dB (A)

Višina zvočnega tlaka (Nevarnost K=3dB(A))..... 111 dB (A)

Nosite zaščito za sluh!

Informacije o vibracijah

Skupna vibracijska vrednost (Vektorska vsota treh smerdoločena ustrezno EN 62841.

Vibracijska vrednost emisij a_h

Vrtanje v kovine..... 2,3 m/s²

Nevarnost K=..... 1,5 m/s²

Udarno vrtanje v beton..... 18,3 m/s²

Nevarnost K=..... 1,5 m/s²

Udarno vrtanje v beton z diamantno vrtalno krono..... 14,8 m/s²

Nevarnost K=..... 1,5 m/s²

OPOZORILO

Raven vibracij in hrupa, navedena v tem informativnem listu, je bila izmerjena v skladu s standardiziranim preskusom iz EN 62841 in jo je mogoče uporabljati za primerjavo orodij med seboj. Mogoče jo je tudi uporabiti za predhodno oceno izpostavljenosti.

Navedena raven vibracij in hrupa predstavlja glavno uporabo orodja. Če pa se orodje uporablja za različne namene, z različnimi dodatki ali slabo vzdrževano, se lahko vibracije in hrup razlikujejo. To lahko znatno poveča raven izpostavljenosti v celotnem delovnem obdobju.

Pri oceni ravni izpostavljenosti vibracijam in hrupu je treba upoštevati tudi čas, ko je orodje izklopljeno ali ko teče, vendar dejansko ne opravlja dela. To lahko bistveno zmanjša raven izpostavljenosti v celotnem delovnem obdobju.

Ugotovite dodatne varnostne ukrepe za zaščito upravljavca pred učinki vibracij in/ali hrupa, kot so: vzdrževanje orodja in dodatkov, tople roke, organizacija delovnih vzorcev.

⚠ OPOZORILO! Preberite vsa varnostna opozorila in navodila, prikaže in specifikacije tega električnega orodja. Zakasnelo upoštevanje sledečih navodil lahko povzroči električni udar, požar in/ali težke poškodbe. Vsa opozorila in napotila shranite, ker jih boste v prihodnje še potrebovali.

⚠ VARNOSTNA NAVODILA ZA DIAMANTNE VRTALNIKE

Varnostna navodila za vse uporabe

Držite električno orodje za izolirane površine za držanje, če želite izvesti postopek, pri katerem se lahko rezilni pribor ali pritrdilna sredstva dotaknejo skritih vodov ali lastnega kabla. Rezilni pribor ali pritrdilni elementi, ki so v stiku s kablom pod napetostjo, lahko prenesejo napetost na izpostavljene kovinske dele električnega orodja in povzročijo električni udar.

Uporabite dodatne ročaje, ki so dobavljeni skupaj z napravo. Izguba kontrole lahko povzroči poškodbe.

Pred uporabo ročaj orodja čvrsto oklenite z roko. To orodje proizvaja visok izhodni navor in če ga med delovanjem ne držite čvrsto, lahko izgubite nadzor in se poškodujete.

Varnostna navodila pri uporabi dolgih svedrov

Nikoli ne uporabljajte višjo hitrostjo od največje hitrosti, ki je določena za sveder. Pri večjih hitrostih se lahko sveder upogne, ko se vrti brez stika z obdelovancem, kar lahko povzroči poškodbe.

Vedno začnite vrtati z nizko hitrostjo in medtem, ko je sveder v stiku z obdelovancem. Pri večjih hitrostih se lahko sveder upogne, ko se vrti brez stika z obdelovancem, kar lahko povzroči poškodbe.

Pritisk usmerite samo v direktni liniji s svedrom in ne pritiskajte premočno. Svedri se lahko upognejo, kar povzroči zlom ali izgubo nadzora ter osebne poškodbe.

NADALJNA VARNOSTNA IN DELOVNA OPOZORILO

Ker se vgrajena drsna sklopka sproži le pri vzratni zapori, venomer uporabljajte dodatni ročaj.

Uporabite zaščitno opremo. Pri delu s strojem vedno nosite zaščitna očala. Priporočajo se zaščitna oblačila, kot npr. maska za zaščito proti prahu, zaščitne rokavice, trdno in neдрseče obuvanje, čelada in zaščita za sluh.

Prah, ki nastaja pri delu, je pogosto zdravju škodljiv in naj ne zaide v telo. Nosite ustrezno masko proti prahu.

Obdelava materialov, iz katerih izhaja ogroženost zdravja (npr. azbest), ni dovoljena.

V primeru blokade orodja napravo takoj izklopite! Naprave ponovno ne vkaplajate dokler je orodje blokirano; pri tem bi lahko prišlo do povratnega udara z velikim reakcijskim momentom. Ugotovite in odpravite vzroke blokade orodja ob upoštevanju varnostnih navodil.

Možni razlogi so lahko:

- Zagoditev v obdelovancu
- prežganje obdelovanega materiala
- Preobremenitev električnega orodja

Ne segajte v stroj v teku.

Orodje lahko med uporabo postane vroče.

OPOZORILO! Nevarnost opeklin

- pri menjavi orodja
- pri odlaganju naprave

Trske ali iveri se pri tekočem stroju ne smejo odstranjevati.

Vedno pazite, da se priključni kabel ne približa področju delovanja stroja. Kabel vedno vodite za strojem.

Pri delih na steni, stropu ali v tleh pazite na električne kable, plinske in vodne napeljave.

Obdelovanec zavarujte z vpenjalno pripravo. Nezavarovani obdelovanci lahko povzročijo težke poškodbe in okvare.

Pred vsemi deli na stroju izvlecite vtičač iz vtičnice.

Pri velikih premerih vrtnice mora biti dodatni ročaj pritrjen pravokotno na glavni ročaj. Glej tudi slikovni del, odstavek "Obračanje ročaja".

UPORABA V SKLADU Z NAMEMBNOSTJO

Diamantni vrtni stroj se uporablja za vrtnje z diamantnimi-suhovrtnalnimi kronami. Z nasajenim vrtnim polnilom je naprava primerna za udarno vrtnje v kamnine in vrtnje v les ali jeklo. Naprava ni primerna za mokro vrtnje betona.

Ta naprava se sme uporabiti samo v skladu z namebnostjo uporabiti samo za navede namene.

ES-IZJAVA O SKLADNOSTI

Kot proizvajalec izjavljamo na svojo izključno odgovornost, da je izdelek, opisan pod »Tehnični podatki«, v skladu z vsemi ustreznimi predpisi direktiv 2011/65/EU (RoHS), 2014/30/EU, 2006/42/EG in naslednjimi usklajenimi normativnimi dokumenti:

EN 62841-1:2015
EN 62841-2-1:2018+A11:2019
EN 55014-1:2017+A11:2020
EN 55014-2:2015
EN 61000-3-2:2014
EN 61000-3-3:2013
EN IEC 63000:2018

Winnenden, 2021-01-20



Alexander Krug
Managing Director



Pooblaščen za izdelavo spisov tehnične dokumentacije.

Techtronic Industries GmbH
Max-Eyth-Straße 10
71364 Winnenden
Germany

OMREŽNI PRIKLJUČEK

Vtičnice v zunanem področju morajo biti opremljene z zaščitnimi stikali za okvorni tok (FI, RCD, PRCD). To zahteva instalacijski predpis za vašo električno napravo. Prosimo, da to pri uporabi naše naprave upoštevate.

Priključite samo na enofazni izmenični tok in samo na omrežno napetost, ki je označena na tipski ploščici. Priključitev je možna tudi na vtičnice brez zaščitnega kontakta, ker obstaja nadgradnja zaščitnega razreda.

Napravo priklopite na vtičnico samo v izklopljenem stanju.

ZAŠČITA PRED PONOVNIM ZAGONOM

Stikalo z ničelno napetostjo preprečuje ponovni zagon stroja po izpadu električnega toka. Pri ponovnem začetku dela stroj izklopite in ponovno vklopite.

ZAŠČITA MOTORJA ODVISNA OD OBREMENITVE

Pri visoki preobremenitvi motorja se sproži zaščita proti preobremenitvi. Stroj teče počasi dalje zaradi hlajenja navitja motorja. Ponoven vklop stroja je možen šele po zadostni ohladitvi, v ta namen stroj izklopite in ponovno vklopite.

NAPOTKI ZA DELO

Ovisno od obdelovane surovine lahko Softschlag znatno zmanjša vrtni čas ali poveča življensko dobo diamantnih segmentov.

PRACOVNÉ POKYNY

Za dosego večjega vrtnega učinka, po doseženi globini vrtnja ca 10-15 mm snamemo centrični sveder, vstavimo vrtno krono v zato predvideno zarezo in stroj počasi poženemo.

Izvrtnice, ki jih ni potrebno vršiti s točno nastavitvijo, lahko izvedemo brez centričnega svedra. V tem primeru vrtno krono nastavimo pod kotom in po doseženi globini vrtnja ca. 5 mm stroj počasi izravnamo. (Možno samo pri kratkih vrtnih kronah).

V kolikor vrtna jedra popustijo, vrtno krono izvlečemo iz materiala in vrtna jedra odstranimo.

Naostrena vrtna krona nam poenostavi uporabo in oomogoča boljši vrtni učinek. Načini ostrenja: V peščencu ali z brusilno ploščo.

VZDRŽEVANJE

Pazite na to, da so prezračevalne reže stroja vedno čiste.

Pri pogostem obratovanju udarnega vrtnja z vpenjalne glave redno očistite prah. V ta namen vrtno vpenjalno glavo držite navpično navzdol ter odprite in zaprite vpenjalno glavo preko celotnega napenjalnega področja. Prah, ki se je nabral, tako pade iz vrtnalne vpenjalne glave.

Priporoča se redna uporaba čistilnega spreja (Id.št. 4932 6217 19) na napenjalnih čeljustih in na vrtnah napenjalnih čeljusti.

V kolikor je priključni omrežni vodnik poškodovan, ga je potrebno s strani servisne službe nadomestiti, ker je za ta namen potrebno posebno orodje.

Uporabljajte samo Milwaukee pribor in nadomestne dele. Poskrbite, da sestavne dele, katerih zamenjava ni opisana, zamenjajo v Milwaukee servisni službi (upoštevajte brošuro Garancija/Naslovi servisnih služb).

Po potrebi se lahko pri vaši servisni službi ali direktno pri Techtronic Industries GmbH naroči eksplozijska risba naprave ob navedbi tipa stroja in številke s tipske ploščice Techtronic Industries GmbH, Max-Eyth-Straße 10, 71364 Winnenden, Germany.

SIMBOLI



POZOR! OPOZORILO! NEVARNO!



Pred vsemi deli na stroju izvlecite vtičač iz vtičnice.



Prosimo, da pred uporabo pozorno preberete to navodilo za uporabo.



Oprema – ni vsebovana v obsegu dobave, priporočeno dopolnilo iz programa opreme.



Odpadne električne in elektronske opreme ne odstranjujte kot nesortirani komunalni odpadki.

Odpadno električno in elektronsko opremo je treba zbirati ločeno. Odpadne svetlobne vire je treba odstraniti iz opreme. Za nasvet glede recikliranja in zbirnih mest se obrnite na lokalno oblast ali trgovca. V skladu z lokalnimi predpisi so lahko trgovci na drobno obvezani, da morajo brezplačno vzeti nazaj odpadno električno in elektronsko opremo.

Vaš prispevek k ponovni uporabi in recikliranju odpadne električne in elektronske opreme pomaga pri zmanjševanju povpraševanja po surovinah. Odpadna električna in elektronska oprema vsebuje dragocene materiale, primerne za recikliranje, ki imajo lahko, če niso odstranjeni na okolju prijazen način, škodljive posledice za okolje in zdravje ljudi. Z odpadne opreme izbršite osebne podatke, če obstajajo.



Električno orodje zaščitnega razreda II. Električno orodje, pri katerem zaščita pred električnim udarom ni odvisna zgolj od osnovne izolacije, temveč tudi od tega, da so uporabljeni dodatni ukrepi, kot dvojna ali okrepljena izolacija. Ni priprave za priključek zaščitnega vodnika.

n_0

Število vrtljajev v prostem teku

V

Napetost



Izmenični tok



Evropska oznaka za združljivost



Britanska oznaka za združljivost



Regulatory Compliance Mark (RCM).
Proizvod izpolnjuje veljavne predpise.



Ukrajinska oznaka za združljivost

001



Evrazijska oznaka za združljivost

TEHNIČKI PODACI	DIJAMANTNA BUŠILICA	DD2-160 XE (220-240V)
Broj proizvodnje.....	3686 91 05...	...000001-999999
Snaga nominalnog prijema.....	1500 W	
Predajni učinak.....	820 W	
Broj okretaja praznog hoda u 1. Brzini.....	0-1500 min ⁻¹	
Broj okretaja praznog hoda u 2. Brzini.....	0-3000 min ⁻¹	
Max. broj okretaja pod opterećenjem u 1. Brzini.....	890 min ⁻¹	
max. broj okretaja pod opterećenjem u 2. Brzini.....	1770 min ⁻¹	
Maksimalan broj udaraca.....	48000 min ⁻¹	
Bušenje-Ø u: 1. Brzina.....	80-162 mm	
Bušenje-Ø u: 2. Brzina.....	32-90 mm	
Vreteno za bušenje.....	M18	
Stezno grlo-Ø.....	57 mm	
Težina po EPTA-proceduri 01/2014.....	4,2 kg	

Informacije o buci

Mjerne vrijednosti utvrđene odgovarajuće EN 62841.

A-ocijenjeni nivo buke aparata iznosi tipično:

Nivo pritiska zvuka (Nesigurnost K=3dB(A))..... 100 dB (A)

Nivo učinka zvuka (Nesigurnost K=3dB(A))..... 111 dB (A)

Nositi zaštitu sluha!

Informacije o vibracijama

Ukupne vrijednosti vibracije (Vektor suma tri smjersu

odmjerene odgovarajuće EN 62841

Vrijednost emisije vibracije a_h

Bušenje metala..... 2,3 m/s²

Nesigurnost K=..... 1,5 m/s²

Udarno bušenje u betonu..... 18,3 m/s²

Nesigurnost K=..... 1,5 m/s²

Udarno bušenje u betonu sa dijamantnom krunicom za bušenje..... 14,8 m/s²

Nesigurnost K=..... 1,5 m/s²

UPOZORENIE

Razine emisije vibracija i buke navedena u ovom informacijskom listu izmjerene su u skladu sa standardiziranim ispitom koji propisuje EN 62841 i mogu se upotrebljavati za međusobnu usporedbu alata. Također se mogu upotrebljavati za prethodnu procjenu izloženosti.

Navedene razine emisija vibracija i buke predstavljaju glavnu svrhu primjene alata. Međutim, ako se alat upotrebljava u druge svrhe, s drugim priborom ili se ne održava dovoljno, emisije vibracija i buke mogu biti drukčije. To može značajno povećati razinu izloženosti tijekom cjelokupna razdoblja rada.

Procjena razine izloženosti vibracijama i buci također bi u obzir trebala uzeti razdoblja tijekom kojih je alat isključen ili kada je uključen, no njime se ne obavlja nikakav rad. Time se značajno može smanjiti razina izloženosti tijekom cjelokupna razdoblja rada.

Utvrđite dodatne sigurnosne mjere kako biste zaštitili rukovatelja od ovih učinaka vibracija i/ili buke, primjerice: održavanje alata i pribora, osiguravanje da ruke budu tople, organizacija obrazaca rada.

UPOZORENIE! Treba pročitati sve napomene o sigurnosti, upute, prikaze i specifikacije za ovaj električni alat. Propusti kod pridržavanja sljedećih uputa može uzrokovati strujni udar, požar i/ili teške ozljede. Sačuvajte sve napomene o sigurnosti i upute za buduću primjenu.

SIGURNOSNE UPUTE ZA DIJAMANTNU BUŠILICU

Sigurnosne upute za sve upotrebe

Pri poslovima kod kojih bi rezač ili element za pričvršćivanje mogao dotaknuti vlastiti kabel električni uređaj držite za izolirane površine za hvatanje. Pri kontaktu rezača ili elemenata za pričvršćivanje sa žicama pod naponom, izloženi metalni dijelovi uređaja mogu također doći pod napon, a operator bi mogao doživjeti strujni udar.

Koristite dodatne drške koje su isporučene sa aparatom. Gubitak kontrole može prouzročiti povrede.

Ovaj aparat držite prije početka rada čvrsto na za to predviđenom dršku. Ovaj aparat proizvodi jedan visoki pogonski moment i ako ga za vrijeme pogona ne držite čvrsto, mogli bi izgubiti kontrolu nad njime i povrijediti se.

Sigurnosne upute za uporabu dugih svrdla

Nemojte nikada upotrijebiti veći broj okretaja nego što je maksimalni broj okretaja koji je naveden za umetak bušenja. Kod većih brojeva okretaja se umetak za bušenje može presaviti ako se vrti bez kontakta s izratkom, što može dovesti do povreda.

Startajte uvijek s jednim niskim brojem okretaja i dok se umetak bušenja nalazi u kontaktu s izratkom. Kod većih brojeva okretaja umetak bušenja se može presaviti ako se vrti bez konatka s izratkom, što može dovesti do povreda.

Stvarajte pritisak uvijek samo kod direktnog usmjeravanja prema umetku bušenja i nemojte pritiskati prejako. Umetci bušenja se mogu presaviti i slomiti ili dovesti do gubitka kontrole nad aparatom, čime opet može doći do povreda.

OSTALE SIGURNOSNE I RADNE UPUTE

Ugrađena klizna spojnica reagira samo kod trzajnog blokiranja, stoga uvijek koristiti dodatnu ručicu.

Upotrebljavati zaštitnu opremu. Kod radova sa strojem uvijek nositi zaštitne naočale. Preporučuje se zaštitna odjeća, kao zaštitna maska protiv prašine, zaštitne rukavice, čvrste i protiv klizanja sigurne cipele, šljem i zaštitu sluha.

Prašina koja nastaje prilikom rada je često nezdrava i ne bi smijela dospjeti u tijelo. Nositi prikladnu zaštitnu masku protiv prašine.

Ne smiju se obrađivati nikakvi materijali, od kojih prijete opasnost po zdravlje (npr. azbest).

Kod blokiranja alata koji se upotrebljava uređaj molimo odmah isključiti! Uređaj nemojte ponovno uključiti za vrijeme dok je alat koji se upotrebljava blokiran; time može doći do povratnog udara sa visokim reakcijskim momentom. Pronađite i otklonite uzrok blokiranja alata koji se upotrebljava uz poštivanje sigurnosnih uputa.

Mogući uzroci tome mogu biti:

- Izobličavanje u izratku koji se obrađuje
- Probijanje materijala koji se obrađuje
- Preopterećenje električnog alata

Nemojte sezati u stroj koji radi.

Upotrebljeni alat se može za vrijeme korištenja zagrijati.

UPOZORENIE! Opasnost od opekotina

- kod promjene alata
- kod odlaganja uređaja

Piljevina ili iverje se za vrijeme rada stroja ne smiju odstranjivati.

Priključni kabel uvijek držati udaljenim sa područja djelovanja. Kabel uvijek voditi od stroja prema nazad.

Kod radova na zidu, stropu ili podu paziti na električne kablove kao i vodove plina i vode.

Osigurajte vaš izradak jednim steznom uređenjem. Neosigurani izradci mogu prouzročiti teške povrede i oštećenja.

Prije radova na stroju izvući utikač iz utičnice.

Kod velikih promjera bušenja mora dodatna ručka biti pričvršćena pravokutno prema glavnoj ručki. Vidi i sliku, odsječak "Ručku zaokrenuti".

PROPISNIA UPOTREBA

Dijamantna bušilica se može primijeniti za bušenje sa dijamantnim krunama za suho bušenje. Sa nasađenom steznom glavom za svrdla stroj je prikladan za udarno bušenje u kamenu kao i za bušenje drva i čelika. Stroj nije prikladan za mokro bušenje betona.

Ovaj aparat se smije upotrijebiti samo u određene svrhe kao što je navedeno.

IZJAVA O SUKLADNOSTI

Izjavljujemo kao proizvođač na osobnu odgovornost, da je proizvod, opisan pod "Tehnički podaci" sukladan sa svim relevantnim propisima smjernica 2011/65/EU (RoHS), 2014/30/EU, 2006/42/EG i sa sljedećim harmoniziranim normativnim dokumentima:

EN 62841-1:2015
EN 62841-2-1:2018+A11:2019
EN 55014-1:2017+A11:2020
EN 55014-2:2015
EN 61000-3-2:2014
EN 61000-3-3:2013
EN IEC 63000:2018

Winnenden, 2021-01-20



Alexander Krug
Managing Director

Ovlašten za formiranje tehničke dokumentacije.

Teichronic Industries GmbH
Max-Eyth-Straße 10
71364 Winnenden
Germany



PRIKLJUČAK NA MREŽU

Utičnice na vanjskom području moraju biti opremljene zaštitnim prekidačima za pogrešnu struju (FI, RCD, PRCD). To zahtjeva instalacijski propis za električne uređaje. Molimo da ovo poštuju prilikom upotrebe našeg aparata.

Priključiti samo na jednofaznu naizmjeničnu struju i samo na napon struje, naveden na pločici snage. Priključak je moguć i na utičnice bez zaštitnog kontakta, jer postoji dogradnja zaštitne klase II.

Uređaj priključiti na utičnicu samo kada je isključen.

ZAŠTITA MOTORA OVISNA O OPTEREĆENJU

Kod visokog opterećenja motora se uključuje zaštita preopterećenja. Stroj radi sporo dalje zbog hlađenja namotaja motora. Tek nakon dovoljnog hlađenja je moguće uključivanje stroja, pri tome stroj isključiti i ponovno uključiti.

RADNE UPUTE

Zavisno o materijalu koji se obrađuje može blagi udar dovesti do bitne redukcije vremena bušenja ili može prouzročiti duže vrijeme stajanja dijamantnih segmenata.

RADNE UPUTE

Zbog postizanja većeg napretka bušenja nakon cca. 10-15 mm dubine bušenja centrirajuće svrdlo izvaditi, bušačku krunicu postaviti u postojeći žlijeb i stroj polako startati.

Bušotine koje se ne moraju postaviti točno, se mogu izvesti bez centrirajućeg svrdla. K tome bušačku krunicu postaviti ukoso i od jedne dubine bušenja od cca. 5 mm stroj polako postavljati ravno. (Moguće samo kod kratkih bušačkih krunica).

Ako se bušačka jezgra odvoje, bušačku krunicu izvući iz materijala i bušačka jezgra odstraniti.

Naoštrena bušačka krunica olakšava primjenu i napredak bušenja. Mogućnosti oštrenja: Sa vapnenim kamenom ili sa pločom za oštrenje.

ODRŽAVANJE

Preoreze za prozračivanje stroja uvijek držati čistima.












Kod čestog pogona bušenja udaranjem stezna glava se mora redovno osloboditi od prašine. K tome stroj sa steznom glavom držati okomito na dolje i steznu glavu preko cijelog područja stezanja otvoriti i zatvoriti. Nakupljena prašina tako ispada iz stezne glave.

Redovna primjena spraya za čišćenje (Id.br. 4932 6217 19) na steznim čeljustima i bušenjima steznih čeljusti se preporučuje.

Ako je mrežni priključni vod oštećen, mora se od strane servisa zamijeniti, zato što je za to potreban specijalan alat.

Primijeniti samo Milwaukee opremu i rezervne dijelove. Sastavne dijelove, čija zamjena nije opisana, dati zamijeniti kod jedne od Milwaukee servisnih službi (poštivati brošuru Garancija/Adrese servisa).

Po potrebi se može zatražiti crtež eksplozije aparata uz davanje podataka o tipu stroja i desetoznamenastog broja na pločici snage kod Vaše servisne službe ili direktno kod Teichronic Industries GmbH, Max-Eyth-Straße 10, 71364 Winnenden, Germany.

	PAŽNJA! UPOZORENIE! OPASNOST!
	Prije radova na stroju izvući utikač iz utičnice.
	Molimo da pažljivo pročitate uputu o upotrebi prije puštanja u rad.
	Oprema - u opsegu isporuke nije sadržana, preporučena dopuna iz promgrama opreme.
	Električni i elektronički stari uređaji se ne smiju zbrinjavati skupa sa kućnim smećem. Električni i elektronički stari uređaji se moraju odvojeno skupljati i zbrinuti. Odstranite rasvjetna sredstva iz uređaja prije zbrinjavanja. Raspitajte se kod mjesnih vlasti ili kod Vašeg stručnog trgovca o mjestima recikliranja i mjestima skupljanja. Zavisno o mjesnim odredbama stručni trgovci mogu biti obvezatni, električne i elektroničke stare uređaje besplatno uzeti nazad. Doprinesite kroz ponovnu primjenu i recikliranje električnih i elektroničkih starih uređaja tome, da se potreba za sirovinama smanji. Električni i elektronički uređaji sadržavaju vrijedne, ponovno upotrebjljive materijale, koji bi kod zbrinjavanja protivno očuvanju okoline mogli imati negativne posljedice za okolinu i Vaše zdravlje. Prije zbrinjavanja izbrišite postojeće podatke koji se odnose na osobe, koji se po mogućnosti nalaze na Vašem starom uređaju.
	Električni alat zaštitne kategorije II. Električni alat, čija zaštita od jednog električnog udara ne zavisi samo od osnovne izolacije, već i od toga, da se primijene dodatne zaštitne mjere, kao što su dvostruka izolacija ili pojačana izolacija. Ne postoji nikakva naprava za priključak nekog zaštitnog voda.
n_2	Broj okretaja praznog hoda
\checkmark	Napon
	Izmjenična struja
	Europski znak suglasnosti
	Britanski znak suglasnosti
	Regulatory Compliance Mark (RCM). Proizvod ispunjava valjane propise.
	Ukrajinski znak suglasnosti

Izlaides numurs	3686 91 05...
.....	...000001-999999
Nominālā atdotā jauda.....	1500 W
Cietkoks.....	820 W
Apgriezieni tukšgaitā ar slodzi 1. ātrumā.....	0-1500 min ⁻¹
Apgriezieni tukšgaitā ar slodzi 2. ātrumā.....	0-3000 min ⁻¹
Maks. apgriezienu skaits ar slodzi 1. ātrumā.....	890 min ⁻¹
maks. apgriezienu skaits ar slodzi 2. ātrumā.....	1770 min ⁻¹
maks. sitienu biežums	4800 min ⁻¹
Urbšanas diametrs (mērvien.): 1. ātrums	80-162 mm
Urbšanas diametrs (mērvien.): 2. ātrums	32-90 mm
Urbja vārpsta	M18
Kakla diametrs.....	57 mm
Svars atbilstoši EPTA -Procedure 01/2014.....	4,2 kg

Trokšņu informācija

Vērtības, kas noteiktas saskaņā ar EN 62841.

A novērtētās aparatūras skaņas līmenis ir:

Trokšņa spiediena līmenis (Nedrošība K=3dB(A))..... 100 dB (A)

Trokšņa jaudas līmenis (Nedrošība K=3dB(A))..... 111 dB (A)

Nēsāt trokšņa slāpētāju!**Vibrāciju informācija**

Svārstību kopējā vērtība (Trīs virzienu vektoru summtiek

noteikta atbilstoši EN 62841.

Svārstību emisijas vērtība a_h Metāla urbis..... 2,3 m/s²Nedrošība K=..... 1,5 m/s²Betona elektriskais urbis..... 18,3 m/s²Nedrošība K=..... 1,5 m/s²Betona elektriskais urbis ar dimanta kroņurbi..... 14,8 m/s²Nedrošība K=..... 1,5 m/s²**UZMANĪBU**

Vibrācijas un trokšņa emisijas līmenis šajā informācijas lapā ir izmērīts saskaņā ar EN 62841 standarta testa metodi un var tikt izmantots, lai salīdzinātu vienu ierīci ar otru. Tās var tikt izmantotas ietekmes sākotnējai izvērtēšanai.

Norādītais vibrācijas un trokšņa emisijas līmenis attēlo ierīces galvenos izmantošanas veidus. Tomēr, ja ierīce tiek izmantota citiem mērķiem, ar citu papildaprīkojumu vai nepareizi apkalpoa, vibrācijas un trokšņa emisija var atšķirties. Tas var ievērojami paaugstināt ietekmes līmeni visā darba laikā.

Novērtējot vibrācijas un trokšņa ietekmes līmeni, vajadzētu ņemt vērā arī laiku, kad ierīce ir izslēgta vai ieslēgta, taču netiek lietota. Tas var ievērojami samazināt ietekmes līmeni visā darba laikā.

Lai aizsargātu operatoru no vibrācijas un/vai trokšņa, veiciet papildu drošības pasākumus, piemēram, veiciet apkopi ierīcei un papildaprīkojumam, uzturiet rokas siltas, organizējiet darba grafiku.

BRĪDINĀJUMS Izlasiet visus šim elektroinstrumentam pievienotos drošības brīdinājumus, instrukcijas, ilustrācijas un specifikācijas. Nespēja ievērot visas zemāk uzskaitītās instrukcijas var novest pie elektrošoka, ugunsgrēka un/vai smagiem savainojumiem. **Pēc izlasīšanas uzglabājiet šos noteikumus turpmākai izmantošanai.**

DIMANTA URBJMAŠĪNAS DROŠĪBAS NORĀDES**Darba drošības noteikumi**

Darba laikā satveriet tikai instrumenta izolētās virsmas, jo grieznis vai stiprinājumi var saskarties ar neredzamiem elektriskajiem vadiem vai paša instrumenta barošanas vadu. Ja grieznis vai stiprinājumi saskaras ar vadu, pa kuru plūst elektriskā strāva, tad zem sprieguma var būt arī instrumenta kailās metāla daļas un instrumenta lietotājs var saņemt elektriskās strāvas triecienu.

Lietojiet instrumentam pievienotos papildus rokturus. Zaudējot kontroli, var gūt ievainojumus.

Pirms darbu sākšanas droši novietojiet ierīci šim nolūkam paredzētajā rokturī. Šī ierīce rada augstu griezes momentu, un ja lietošanas laikā tā nav pareizi nostiprināta, iespējams zaudēt kontroli pār to.

Drošības norādes garu urbja uzgaļu izmantošanai

Nekad neizmantojiet augstāku apgriezienu skaitu par maksimālo, kas norādīts konkrētajam urbim. Ja apgriezienu skaits ir lielāks, urbis var saliekties, ja griežas bez saķeres ar sagatavi, kā rezultātā var rasties savainojumi.

Urbšanu vienmēr sāciet ar zemāku apgriezienu skaitu un vienmēr tikai tad, kad urbis jau ir saskāries ar sagatavi. Ja apgriezienu skaits ir lielāks, urbis var saliekties, ja griežas bez saķeres ar sagatavi, kā rezultātā var rasties savainojumi.

Izdariet spiedienu tikai tiešā līnijā ar urbi un nespiediet pārāk stipri. Urbis var saliekties un salūzt vai radīt kontroles zudumu pār ierīci, kā rezultātā pastāv savainojumu rašanās risks.

CITAS DROŠĪBAS UN DARBA INSTRUKCIJAS

Ja notiek strauja bloķēšana, tiek aktivizēts motora aizsargmehānisms, tādēļ ieteicams vienmēr izmantot arī sānu rokturi.

Jāizmanto aizsargaprīkojums. Strādājot ar mašīnu, vienmēr jānēsā aizsargbrilles. Ieteicams nēsāt aizsargapģērbus, kā piemēram, aizsargmasku, aizsargcimdus, kurpes no stingra un neslīdīga materiāla, ķiveri un ausu aizsargus.

Putekļi, kas rodas darba gaitā, bieži ir kaitīgi veselībai un tiem nevajadzētu nokļūt organismā. Jānēsā piemērota maska, kas pasargā no putekļiem.

Nedrīkst apstrādāt materiālus, kas rada draudus veselībai (piemēram, azbestu).

Ja izmantojamais darba rīks tiek bloķēts, nekavējoties izslēgt ierīci! Neieslēdziet ierīci, kamēr izmantojamais darba rīks ir bloķēts; var rasties atslēgšanas momentu. Noskaidrojiet un novērsiet izmantojamā darba rīka bloķēšanas iemeslu, ievērojot visas drošības norādes.

Iespējamie iemesli:

- iesprūdis apstrādājamajā materiālā
- apstrādājamais materiāls ir caursists
- elektroinstrumentis ir pārslēgots

Leslēgtai ierīcei nepieskarieties.

Izmantojamais darba rīks darba gaitā var stipri sakarst.

UZMANĪBU! Bīstamība apdedzināties

- veicot darba rīka nomaiņu
- noliekot iekārtu

Skaidas un atlūzas nedrīkst ņemt ārā, kamēr mašīna darbojas.

Pievienojuma kabeli vienmēr turēt atstatu no mašīnas darbības lauka. Kabelim vienmēr jāatrodas aiz mašīnas.

Veicot darbus sienā, griestus un grīdas apvidū, vajag uzmanīties, lai nesabojātu elektriskos, gāzes un ūdens vadus.

Fiksējiet apstrādājamo materiālu ar fiksācijas aprīkojumu. Nenostiprināti materiāli var izraisīt smagus savainojumus un bojājumus.

Pirms jebkādiem darbiem, kas attiecas uz mašīnas apkopi, mašīnu noteikti vajag atvienot no kontaktlīdzdas.

Pie liela urbšanas diametra papildus rokturi vajag piestiprināt perpendikulāri galvenajam rokturim. Skat. arī attēlus nodaļā "Pagrieziet rokturi".

NOTEIKUMIEM ATBILSTOŠS IZMANTOJUMS

Šo urbmašīnu var izmantot urbšanai ar dimanta kroņurbjiem. Ja ierīce aprīkota ar patronu, to var izmantot kā triecienuurbmašīnu akmens, kā arī koka un tērauda urbšanai. Instrumentu nedrīkst lietot betona urbšanai, ja tiek izmantots ūdens.

Šo instrumentu drīkst izmantot tikai saskaņā ar minētajiem lietošanas noteikumiem.

EK ATBILSTĪBAS DEKLARĀCIJA

Mēs kā ražotājs un vienīgā atbildīgā persona apliecinām, ka mūsu "Tehniskajos datos" raksturotais produkts atbilst visām attiecīgajām Direktīvu 2011/65/ES (RoHS), 2014/30/ES, 2006/42/EK normām un šādiem saskaņotiem normaīvajiem dokumentiem:

EN 62841-1:2015
EN 62841-2-1:2018+A11:2019
EN 55014-1:2017+A11:2020
EN 55014-2:2015
EN 61000-3-2:2014
EN 61000-3-3:2013
EN IEC 63000:2018

Winnenden, 2021-01-20

Alexander Krug

Alexander Krug
Managing Director



Pilnvarotais tehniskās dokumentācijas sastādītājs.

Technronic Industries GmbH
Max-Eyth-Straße 10
71364 Winnenden
Germany

TĪKLA PIESLĒGUMS

Kontaktlīdzdām, kas atrodas ārpus telpām jābūt aprīkotām ar automātiskiem drošinātājslēdzīmiem, kas nostrādā, ja strāvas plūsmā radušies (FI, RCD, PRCD) bojājumi. To pieprasa jūsu elektroiekārtas instalācijas noteikumi. Lūdzu, to ņemt vērā, izmantojot mūsu instrumentus.

Pieslēgt tikai vienfāza mainstrāvas tīklam un tikai spriegumam, kas norādīts uz jaudas paneļa. Pieslēgums iespējams arī kontaktlīdzdām bez aizsargkontaktiem, jo runa ir par uzbūvi, kas atbilst II. aizsargklasei.

Instrumentu pieslēgt kontaktlīdzdām tikai izslēgtā stāvoklī.

AIZSARDZĪBA PRET ATKĀRTOTU PALAIŠANU

Nullsecības spriegums novērš mašīnas atkārtotu iedarbošanos pēc strāvas plūsmas pārtraukuma. Lai atsāktu darbu, mašīnu vajag izslēgt un vēlreiz ieslēgt.

AIZSARGMEHĀNISMS REAĢĒ UZ MOTORA SLODZI

Ja motora slodze ir augsta, tiek iedarbināts pārslodzes aizsargmehānisms. Mašīna turpina lēnām darboties, lai atdzesētu motoru. Mašīnu var ieslēgt tikai pēc pietiekamas atdzesēšanas, šim nolūkam mašīnu vajag izslēgt un vēlreiz ieslēgt.

DARBA NORĀDES

Ieteicams regulēt triecienu stiprumu atkarībā no apstādājamā materiāla, lai tādējādi būtiski samazinātu urbšanas laiku un palīdzinātu dimanta segmentu kalpošanas ilgumu.

DARBA NORĀDĪJUMI

Lai veicinātu urbšanas procesu, kad urbuma dziļums sasniedz apt. 10 - 15 mm, ieteicams izņemt centrējošo urbi, ievietot kroņurbi izurbtajā gropē un instrumentu iedarbināt lēnām.

Urbumus bez precīzi atzīmēta urbuma centra var veikt arī bez centrētā urbja. Šim nolūkam kroņurbi sākumā novieto slīpi pret virsmu un, kad urbuma dziļums sasniedzis apt. 5 mm, instrumentu pagrieziet perpendikulāri virsmai. (Tas iespējams, tikai izmantojot īsus kroņurbjus).

Gadījumā, ja urbšanas laikā ar kroņurbi rodas atlūzas, kroņurbis jāizvelk no apstrādājamā materiāla un atlūzas jāizņem.

Uzasināts kroņurbis atvieglo instrumenta izmantošanu un veicina urbšanas procesu. Asināšanas iespējas: ar smilšakmens ar augstu kaļķu sastāvu vai asināmā palīdzību.

APKOPE

Vajag vienmēr uzmanīties, lai būtu tīras dzesēšanas atveres.

Ja bieži tiek izmantota perforācijas darbība, tad urbja stiprinājums ir regulāri jāattīra no putekļiem. Šim nolūkam mašīna jātur ar stiprinājumu uz leju un stiprinājums maksimāli jāatskrūvē un jāizskrūvē. Tādējādi putekļi, kas sakrājušies tajā, var iznākt ārā.

Leteicams regulāri izmantot tīrītāju (n.p.k. 4932 6217 19), lai iztīrītu

Ja ir bojāts tīkla pieslēguma vads, tad tā apmaiņa jānodrošina klientu apkalpošanas servisam, kuram ir nepieciešamie speciālie darba rīki.

Izmantojiet tikai firmu Milwaukee piederumus un firmas rezerves daļas. Lieciet nomainīt detaļas, kuru nomaina nav aprakstīta, kādā no firmu Milwaukee klientu apkalpošanas servisiem. (Skat. brošūru "Garantija/klientu apkalpošanas serviss".)

Ja nepieciešams, klientu apkalpošanas servisā vai tieši pie firmas Technronic Industries GmbH, Max-Eyth-Straße 10, 71364 Winnenden, Germany, var pieprasīt instrumenta numurs, kas norādīts uz jaudas paneļa.

SIMBOLI



UZMANĪBU! BĪSTAMI!



Pirms jebkādiem darbiem, kas attiecas uz mašīnas apkopi, mašīnu noteikti vajag atvienot no kontaktlīdzdas.



Pirms sākt lietot instrumentu, lūdzu, izlasiet lietošanas pamācību.



Piederumi - standartaprīkojumā neietvertas, bet ieteicamās papildus komplektācijas detaļas no piederumu programmas.



Neutilizējiet elektrisko un elektronisko iekārtu atkritumus kā nešķirotus sadzīves atkritumus.

Elektrisko un elektronisko iekārtu atkritumi ir jāsavāc atsevišķi.

Gaismas avotu atkritumi ir jānoņem no iekārtas. Sazinieties ar vietējo iestādi vai mazumtirgotāju, lai iegūtu padomus par otrreizējo pārstrādi un savākšanas punktu.

Atkarībā no vietējiem noteikumiem, mazumtirgotājiem var būt pienākums bez maksas pieņemt atpakaļ elektriskās, elektroniskās vai vecās iekārtas.

Jūsu ieguldījums elektrisko un elektronisko iekārtu atkritumu atkārtotā izmantošanā un otrreizējā pārstrādē palīdz samazināt pieprasījumu pēc izejvielām.

Elektrisko un elektronisko iekārtu atkritumus ir vērtīgi, otrreiz pārstrādājami materiāli, kas var negatīvi ietekmēt vidi un cilvēku veselību, ja tie netiek utilizēti videi draudzīgā veidā. No iekārtu atkritumiem izdzēsiet personāla datus, ja tādi ir.



II aizsardzības klases elektroinstrumenti. Elektroinstrumenti, kuram aizsardzība pret elektrisko triecienu ir atkarīga ne tikai no pamata izolācijas, bet arī no tā, ka tiek piemēroti papildu aizsardzības pasākumi, piemēram, dubultā izolācija vai pastiprināta izolācija.

Aizsarga pieslēgšanai instrumenti nav paredzēti.

n_0

Tukšgaitas apgriezīgu skaits

V

Spriegums



Maiņstrāva



Eiropas atbilstības zīme



Lielbritānijas atbilstības zīme



Regulatory Compliance Mark (RCM). Produkts atbilst spēkā esošajiem noteikumiem.



Ukrainas atbilstības zīme

001



Eirāzijas atbilstības zīme

TECHNINIAI DUOMENYS	DEIMANTINIS GRAŽTAS	DD2-160 XE (220-240V)
Produkto numeris	3686 91 05...	...000001-999999
Vardinė imamoji galia	1500 W	
Išėjimo galia.....	820 W	
Sūkių skaičius laisva eiga 1. pavara.....	0-1500 min ⁻¹	
Sūkių skaičius laisva eiga 2. pavara.....	0-3000 min ⁻¹	
Maks. sūkių skaičius su apkrova 1. pavara.....	890 min ⁻¹	
Maks. sūkių skaičius su apkrova 2. pavara.....	1770 min ⁻¹	
Maks. smūgių skaičius.....	48000 min ⁻¹	
Gręžimo ø: 1. pavara.....	80-162 mm	
Gręžimo ø: 2. pavara.....	32-90 mm	
Grąžto suklys.....	M18	
Išveržimo ašies ø.....	57 mm	
Prietaiso svoris įvertintas pagal EPTA 2014/01 tyrimų metodiką.....	4,2 kg	

Informacija apie keliamą triukšmą

Vertės matuotos pagal EN 62841.

Įvertintas A įrenginio keliamo triukšmo lygis dažniausiai sudaro:

Garso slėgio lygis (Paklaida K=3dB(A))	100 dB (A)
Garso galios lygis (Paklaida K=3dB(A))	111 dB (A)

Nešioti klausos apsaugines priemones!

Informacija apie vibraciją

Bendroji svyravimų reikšmė (trijų krypčių vektorių suma), nustatyta remiantis EN 62841.

Vibravimų emisijos reikšmė a_h

Metalo gręžimas	2,3 m/s ²
Paklaida K=	1,5 m/s ²
Betono perforavimas	18,3 m/s ²
Paklaida K=	1,5 m/s ²
Betono perforavimas su deimantine gręžimo galvute.....	14,8 m/s ²
Paklaida K=	1,5 m/s ²

DĖMESIO

Šiame vadove nurodytos bendrosios vibracijos ir triukšmo emisijos vertės nustatytos pagal standartinius bandymo metodus pagal EN 62841, todėl gali būti taikomos lyginant vieną įrankį su kitu. Gali būti naudojama preliminariam poveikio įvertinimui.

Nurodytos bendrosios vibracijos ir triukšmo emisijos vertės atitinka įrankio taikymą. Jei įrankis naudojamas kitokiais tikslais, kartu su kitokiais priedais ar netinkamai prižiūrimas, bendrosios vibracijos ir triukšmo emisijos vertės gali skirtis. Tai gali žymiai padidinti poveikio lygį viso darbo metu.

Apskaičiuojant bendrosios vibracijos ir triukšmo emisijos vertes reikėtų atsižvelgti į laikotarpį, kai prietaisas yra išjungtas arba įjungtas, bet nėra naudojamas. Tai gali žymiai sumažinti poveikio lygį viso darbo metu.

Tam, kad naudotojas būtų apsaugotas nuo vibracijos ir (arba) triukšmo poveikio, reikia nustatyti papildomus saugos reikalavimus, pavyzdžiui: tinkamai prižiūrėti prietaisą ir jo priedus, laikyti rankas šiltais, organizuoti darbo modelius.

⚠ WARNING Perskaitykite visus saugumo įspėjimus, instrukcijas, peržiūrėkite iliustracijas ir specifikacijas, pateiktas kartu su šiuo įrankiu. Jei nepaisysite visų toliau pateiktų instrukcijų, gali trenkti elektros smūgis, kilti gaisras ir/arba galite sunkiai susižaloti arba sužaloti kitus asmenis. **Išsaugokite šias saugos nuorodas ir reikalavimus, kad ir ateityje galėtumėte jais pasinaudoti.**

⚠ SAUGOS NURODYMAI DEIMANTINIAM GRAŽTUI

Bendrosios visų darbų saugos instrukcijos

Atlikdami darbus, kurių metu pjovimo priedas ar jungiamosios detalės gali prisiliesti prie laidų ar paties įrankio laido, elektrinį įrankį laikykite už izoliuotų suėmimo paviršių. Pjovimo priedui ar jungiamosioms detalėms prisilietus prie laido, kuriuo teka elektros srovė, neizoliuotos metalinės elektrinio įrankio dalys gali nutrenkti operatorių.

Naudokite į prietaiso komplektaciją įeinančias papildomas rankenas. Nesuvaldžius prietaiso galima susižeisti.

Prieš pradėdami dirbti tvirtai suimkite prietaisą už tam skirtos rankenos. Šis prietaisas veikia labai dideliu išėjimo sukimo momentu ir jei dirbami prietaiso nelaikysite tvirtai, Jums nepavyks jo sulaikyti, todėl kyla pavojus susižaloti.

Saugos nurodymai ilgiems grąžtams

Niekada nenustatykite didesnio nei didžiausio galimo sūkių skaičiaus, kuris yra nurodytas ant įstatomojo grąžto. Didesniu sūkių skaičiumi veikiantis įstatomasis grąžtas gali sulinkti, kai sukdamasis neliečia ruošinio, todėl kyla pavojus susižaloti.

Nedidelį sūkių skaičių nustatykite pradžioje ir tuomet, kai įstatomasis grąžtas liečiasi prie ruošinio. Didesniu sūkių skaičiumi veikiantis įstatomasis grąžtas gali sulinkti, kai sukdamasis neliečia ruošinio, todėl kyla pavojus susižaloti.

Visada spauskite tik tiesiogiai įstatomojo grąžto kryptimi ir niekada nespauskite per stipriai. Įstatomieji grąžtai gali sulinkti ir nulūžti arba galite nesuvaldyti prietaiso ir taip pat susižaloti.

KITI SAUGUMO IR DARBO NURODYMAI

Įmontuota slydimo sankaba suveikia tik esant staigiam blokavimui, todėl visada naudokite papildomą rankeną.

Dėvėkite apsaugines priemones. Dirbdami su mašina visada užsidėkite apsauginius akinius. Rekomenduotina dėvėti apsaugines priemones: apsaugos nuo dulkių respiratorius, apsaugines pirštines, kietus batus neslidžiais padais, šalną ir klausos apsaugos priemones.

Darbo metu susidarančios dulkės yra dažnai kenksmingos sveikatai ir todėl turėtų nepatekti į organizmą. Dėvėti tinkamą apsauginę kaukę nuo dulkių.

Negalima apdirbti medžiagų, dėl kurių galimi sveikatos pažeidimai (pvz., asbesto).

Blokuojant įstatomąjį įrankį būtina išjungti prietaisą! Neįjunkite prietaiso, kol įstatomasis įrankis yra užblokuotas; galimas grįžtamasis smūgis su dideliu sukimo momentu. Atsižvelgdami į saugumo nurodymus, nustatykite ir pašalinkite įstatomojo įrankio blokavimo priežastį.

- Galimos priežastys:
 - Susidariusios apdirbimo ruošinio briaunos
 - Apdirbamos medžiagos pratrūkimas
 - Elektros įrankio perkrova

Nekiškite rankų į veikiančią mašiną.

Naudojamas įstatomasis įrankis gali įkaisti.

DĖMESIO! Pavojus nusidėginti

- keičiant įrankį
- padedant prietaisą

Draudžiama išiminti drožles ar nuopjovas, įrenginiui veikiant.

Maitinimo kabelis turi nebūti įrenginio poveikio srityje. Kabelį visada nuveskite iš galinės įrenginio pusės.

Dirbdami sienoje, lubose arba grindyse, atkreipkite dėmesį į elektros laidus, dujų ir vandens vamzdžius.

Ruošinį užfiksuokite įtempimo įrenginiu. Neužfiksuoti ruošiniai gali sunkiai sužaloti ir būti pažeidimų priežastimi.

Prieš atlikdami bet kokius įrenginyje, ištraukite iš lizdo kištuką.

Atliekant didesnio skersmens gręžimus, papildomą rankeną reikia pritvirtinti statmenai pagrindinei rankenai. Žr. ir iliustracijų dalyje esantį skyrelį: „Rankenos persukimas“.

NAUDOJIMAS PAGAL PASKIRTĮ

Deimantiniu gręžtuvu galima gręžti su sausomis deimantinėmis gręžimo karūnomis. Su uždėtu gręžimo patronu gręžtuvą galima naudoti uolienoms smūginio režimu gręžti bei medžiui ir plienui gręžti. Gręžtuvus netinkamas šlapiam betono gręžimui.

Šį prietaisą leidžiama naudoti tik pagal nurodytą paskirtį.

EB ATITIKTIES DEKLARACIJA

Kaip gamintojas atsakingai pareiškiamo, kad gaminyje, aprašytas skyriuje „Techniniai duomenys“, atitinka visus 2011/65/ES (RoHS), 2014/30/ES, 2006/42/EB direktyvas ir šių darnųjų norminių dokumentų taikomus reikalavimus:

EN 62841-1:2015
EN 62841-2-1:2018+A11:2019
EN 55014-1:2017+A11:2020
EN 55014-2:2015
EN 61000-3-2:2014
EN 61000-3-3:2013
EN IEC 63000:2018

Winnenden, 2021-01-20



Alexander Krug
Managing Director



Įgaliotas parengti techninius dokumentus.

Techtronic Industries GmbH
Max-Eyth-Straße 10
71364 Winnenden
Germany

ELEKTROS TINKLO JUNGTIŠ

Lauke esantys el. lizdai turi būti su gedimo srovės išjungikliais. Tai nurodyta Jūsų elektros įrenginio instaliacijos taisyklėse (FI, RCD, PRCD). Atsižvelkite į tai, naudodami prietaisą.

Jungti tik prie vienfazės kintamos elektros srovės ir tik į specifikacijų lentelėje nurodytos įtampos elektros tinklą. Konstrukcijos saugos klasė II, todėl galima jungti ir į lizdus be apsauginio kontakto.

Į elektros tinklą junkkite tik išjungtą prietaisą.

APSAUGA NUO PAKARTOTINIO ĮSIJUNGIMO

Nulinės įtampos jungiklis neleidžia vėl įsijungti įrenginiui po to, kai buvo nutrukęs elektros energijos tiekimas. Kad galėtumėte dirbti toliau, įrenginį išjunkite ir įjunkite vėl.

NUO APKROVOS PRIKLAUSOMA VARIKLIO APSAUGA

labai perkrovus variklį, išjungia perkrovos apsauga. Įrenginys toliau lėtai veikia ir aušina variklio apviją. Vėl įjungti įrenginį galima tik tada, kai jis pakankamai atvėsta, tam ji reikia išjungti ir vėl įjungti.

NUORODOS DARBUI

Priklausomai nuo apdorojamos medžiagos švelnaus smūgiavimo režimas gali ženkliai sutrumpinti gręžimą arba prailginti deimantinių segmentų tamavimo laiką.

DARBO NUORODOS

Kad gręžtusi greičiau, išgręžę maždaug 10-15 mm ištraukite centravimo grąžtą, į turimą griovelį įstatykite gręžimo karūną ir leiskite mašinai atsargiai įsibėgėti.

Kiaurymes, kurioms nereikalingas didelis tikslumas, galima gręžti ir be centravimo grąžto. Tokiu atveju pradėkite gręžti, gręžimo karūną priglaukę įstrižai, ir, pagręžę apie 5 mm, atsargiai ištiesinkite mašiną (galima tik su trumpomis gręžimo karūnomis).

Jei gręžiamoji šerdis pradeda trupėti, ištraukite gręžimo karūną iš medžiagos ir pašalinkite gręžiamąją šerdį.

Gręžti su gerai pagaląsta gręžimo karūna yra lengviau ir greičiau. Galąsti galima į silikatinės plytas arba galandimo plokštę.

TECHNINIS APTARNAVIMAS

Įrenginio vėdinimo angos visada turi būti švarios.

Dažnai naudojant smūginio gręžimo režimu, reikia reguliariai nuo grąžto patrono pašalinti dulkes. Tam laikykite įrenginį grąžto patronu tiesiai žemyn ir jį visiškai atidarykite ir uždarykite. Taip iš grąžto patrono iškrenta visos dulės.

Rekomenduojame retkarčiais nupurkšti spaustuvo kumštelių ir spaustuvo kumštelių kiaurymes valymo aerozoliu (eil. nr. 4932 6217 19).

Jeigu pažeistas elektros laidas, pakeiskite jį remonto dirbtuvėje, nes tam reikia specialaus prietaiso.

Naudokite tik Milwaukee priedus ir atsargines dalis. Dalis, kurių keitimas neaprašytas, leidžiama keisti tik Milwaukee klientų aptarnavimo skyriams (žr. garantiją/klientų aptarnavimo skyrių adresus brošiūroje).

Jei reikia, nurodant įrenginio tipą bei specifikacijų lentelėje esantį numerį, iš klientų aptarnavimo skyriaus arba tiesiai iš Techtronic Industries GmbH, Max-Eyth-Straße 10, 71364 Winnenden, Germany, galima užsisakyti prietaiso surinkimo brėžinius.



DĖMESIO! ĮSPĖJIMAS! PAVOJUS!



Prieš atlikdami bet kokius įrenginyje, ištraukite iš lizdo kištuką.



Prieš pradėdami dirbti su prietaisu, atidžiai perskaitykite jo naudojimo instrukciją.



Priedas – neįeina į tiekimo komplektaciją, rekomenduojamas papildymas iš priedų asortimento.



Neišmeskite elektros ir elektroninės įrangos atliekų kaip nerūšiuotų komunalinių atliekų. Elektros ir elektroninės įrangos atliekos turi būti surenkamos atskirai.

Lengvos atliekos turi būti pašalinamos iš įrangos. Patarimų dėl perdėbimo ir surinkimo vietos kreipkitės į vietinę instituciją arba pardavėją.

Priklausomai nuo vietos teisės aktų, mažmenininkai gali būti įpareigoti nemokamai priimti atgal seną elektros ir elektronikos įrangą.

Jūsų indėlis į pakartotinį elektros ir elektroninės įrangos atliekų naudojimą ir perdėbimą padeda sumažinti žaliavų poreikį. Elektros ir elektroninės įrangos atliekose yra vertingų, perdėbamų medžiagų, kurios gali neigiamai paveikti aplinką ir žmonių sveikatą, jei jos nebus šalinamos aplinką tausojančiu būdu.

Ištrinkite personalo duomenis iš įrangos atliekų, jei tokių yra.



II apsaugos klasės elektrinis įrankis. Šio elektrinio įrankio apsauga nuo elektros smūgio priklauso ne tik nuo pagrindinės izoliacijos, bet ir nuo to, kaip naudojamos papildomos apsauginės priemonės, tokios kaip dviguba arba pagerinta izoliacija. Nėra jokio prietaiso apsauginio laido pajungimui.



Sūkių skaičius laisva eiga



Įtampa



Kintamoji srovė



Europos atitikties ženklas



Britanijos atitikties ženklas



Regulatorius „Compliance Mark“ (RCM). Produktas atitinka galiojančias taisykles.



Ukrainos atitikties ženklas

Tootmisnumber	3686 91 05...
.....	...000001-999999
Nimitarbimine	1500 W
Väljundvõimsus	820 W
Pöörlemiskiirus tühijooksul 1. käigul	0-1500 min ⁻¹
Pöörlemiskiirus tühijooksul 2. käigul	0-3000 min ⁻¹
Maks pöörlemiskiirus koormusega 1. käigul	890 min ⁻¹
Maks pöörlemiskiirus koormusega 2. käigul	1770 min ⁻¹
Löökide arv maks	4800 min ⁻¹
Puuri ø: 1. käik	80-162 mm
Puuri ø: 2. käik	32-90 mm
Puurispindel	M18
Kinnituskaela ø	57 mm
Kaal vastavalt EPTA-protseduurile 01/2014	4,2 kg

Mūra andmed

Mõõteväärtused on kindlaks tehtud vastavalt normile EN 62841.

Seadme tüüpiline hinnanguline (A) müratase:

Helirõhutase (Määramatus K=3dB(A))	100 dB (A)
Helivõimsuse tase (Määramatus K=3dB(A))	111 dB (A)

Kandke kaitseks kõrvaklappe!**Vibratsiooni andmed**

Vibratsiooni koguväärtus (kolme suuna vektorsummmõõdetud EN 62841 järgi).

Vibratsiooni emissiooni väärtus a_n

Metalli puurimine	2,3 m/s ²
Määramatus K=	1,5 m/s ²
Betooni löökpuurimine	18,3 m/s ²
Määramatus K=	1,5 m/s ²
Betooni löökpuurimine teemant-kroonpuuriga	14,8 m/s ²
Määramatus K=	1,5 m/s ²

TÄHELEPANU

Sellel teabelehel toodud vibratsiooni- ja müraemissioon on mõõdetud standardis EN 62841 kirjeldatud standarditud testiga ning seda võib kasutada tööriistade omavaheliseks võrdlemiseks. Testi võib kasutada kokkupuute esialgseks hindamiseks.

Deklareeritud vibratsiooni- ja müratase puudutab tööriista põhikasutust. Kui tööriista kasutatakse muuks otstarbeks, teistsuguste tarvikutega või tööriista hooldatakse halvasti, võivad vibratsioon ja müraemissioon erineda. See võib kokkupuutetasel kogu tööajal oluliselt suurendada.

Vibratsiooni ja müraga kokkupuute hinnangulise taseme juures tuleb arvesse võtta ka aega, kui tööriist on välja lülitatud või töötab, kuid sellega ei tehta tööd. See võib kokkupuutetasel kogu tööaja kohta oluliselt vähendada.

Tehke kindlaks täiendavad ohutusmeetmed operaatori kaitsmiseks vibratsiooni ja/või müra eest, näiteks: hooldage tööriista ja tarvikuid, hoidke käed soojas, vaadake üle töökorraldus.



TÄHELEPANU! Kõik selle elektrilise tööriistaga kaasasolevad ohutusnõuded, juhised, joonised ja spetsifikatsioonid tuleb läbi lugeda. Kõigi allpool loetletud juhiste eiramise tagajärjeks võib olla elektrilöök, tulekahju ja/või rasked vigastused.

Hoidke kõik ohutusnõuded ja juhised edasiseks kasutamiseks hoolikalt alles.

OHUTUSJUHISED TEEMANTPUURIMISMASINALE**Ohutusjuhised kõigile töödele**

Töö käigus, mille puhul lõiketarvik või kinnitused võivad puudutada varjatud juhtmeid või selle enese kaablit, hoidke elektritööriista isoleeritud hoidmispindadest. Tarviku või kinnituste kokkupuude pingestatud juhtmega pingestab ka elektritööriista metallosad ja võib anda kasutajale elektrilöögi.

Kasutage seadmega koos tarnitud lisakäepidemeid. Kontrolli kaotamine võib põhjustada vigastusi.

Enne tööga alustamist hoidke seadmest selleks ettenähtud käepidemest hästi kõvasti kinni. See töötab suurel pöördekiirusel ja kui te ei hoida sellest töö ajal piisavalt kõvasti kinni, võite kaotada selle üle kontrolli ja end vigastada.

Ohutusjuhised pikkade puuriterade kasutamiseks

Ärge kunagi kasutage suuremat pöördekiirust, kui puuri otsale maksimaalselt on ette nähtud. Lubatud suuremal kiirusel pööreldes võib puuri ots painduda, kui see pöörleb toorikuga kokku puutumata, mis omakorda võib põhjustada vigastusi.

Alustage alati madalamal pöördekiirusel ja nii, et puuri ots puutub toorikuga kokku. Lubatud suuremal kiirusel pööreldes võib puuri ots painduda, kui see pöörleb toorikuga kokku puutumata, mis omakorda võib põhjustada vigastusi.

Alati vajutage puuri otsale peale otse ja ärge suruge liiga tugevasti. Puuri otsad võivad painduda ja murduda või kaob kontroll seadme üle, mis omakorda võib põhjustada vigastusi.

EDASISED OHUTUS- JA TÖÖJUHISED

Hõõrdkaitsesidur käivitub ainult äkilise blokeeringu korral, sellepärast kasutada alati lisakäepidet.

Kasutada kaitsevarustust. Masinaga töötamisel kanda alati kaitseprille. Kaitseriietusena soovitatakse kasutada tolmu maski kaitsekindaid, kinniseid ja libisemisvastase tallaga jalanõusid, kiivrit ja kuulmisteede kaitset.

Töö ajal tekkinud tolm on sageli tervistkahjustav ning ei tohiks sattuda organismi. Kanda sobivat kaitsemaski.

Töödelda ei tohi materjale, millest lähtub oht tervisele (nt asbest).

Palun lülitage seade rakendustööriista blokeerumise korral kohe välja! Ärge lülitage seadet sisse tagasi, kuni rakendustööriist on blokeeritud; seejuures võib kõrge reaktsioonimomendiga tagasilöökk tekkida. Tehke ohutusjuhiseid arvesse võttes kindlaks ja kõrvaldage rakendustööriista blokeerumise põhjus.

Selle võimalikeks põhjusteks võivad olla:

- viitu asetumine töödeldavas toorikus
- töödeldava materjali läbimurdamine
- elektritööriista ülekooormamine

Ärge sisestage jäsemeid töötavasse masinasse.

Rakendustööriist võib kasutamise ajal kuumaks minna.

TÄHELEPANU! Põletusohu

- tööriista vahetamisel
- seadme ärapanemisel

Puru ega pilpaid ei tohi eemaldada masina töötamise ajal.

Hoidke ühendusjuhe alati masina tööpiirkonnast eemal. Vedage juhe alati masinast tahapoole.

Seina, lae või pörandi tööde puhul pidage silmas elektrijuhtmeid, gaasi- ja veetorusid.

Kinnitage toorik kinnipingutusseadisele. Kinnitamata toorikud võivad raskel viigastusi ja kahjustusi põhjustada.

Enne kõiki töid masina kallal tõmmake pistik pistikupesast välja.

Suurte puurimislabimõõtude puhul tuleb lisakäepide kinnitada peakäepideme külge täisnurga all. Vaata ka piltide osast löiku „Käepideme keeramine“.

KASUTAMINE VASTAVALT OTSTARBELE

Teemantpuurmasin sobib teemant-kuivkroonpuuridega puurimiseks. Masinale kinnitatud padruniga sobib masin kivi löökpuurimiseks ning puudu ja terase puurimiseks. Ei sobi betooni märgpuurimiseks.

Antud seadet tohib kasutada ainult vastavalt äranäidatud otstarbele.

EÜ VASTAVUSDEKLARATSIOON

Kinnitame tootjana ainuisikuliselt vastutades, et jaotises „Tehnilised andmed“ kirjeldatud toode on kooskõlas ELi direktiivide 2011/65/EU (RohS), 2014/30/EL, 2006/42/EG kõikide asjaomaste eeskirjade ja allpool nimetatud normdokumentidega:

EN 62841-1:2015
EN 62841-2-1:2018+A11:2019
EN 55014-1:2017+A11:2020
EN 55014-2:2015
EN 61000-3-2:2014
EN 61000-3-3:2013
EN IEC 63000:2018

Winnenden, 2021-01-20


Alexander Krug
Managing Director



On volitatud koostama tehnilist dokumentatsiooni.

Techtronic Industries GmbH
Max-Eyth-Straße 10
71364 Winnenden
Germany

VÖRKU ÜHENDAMINE

Välitingimustes asuvad pistikupesad peavad olema varustatud rikkevoolukaitselülitiga (FI, RCD, PRCD). Seda nõutakse Teie elektriseadme installaerimiseeskirjas. Palun pidage sellest meie seadme kasutamisel kinni.

Ühendage ainult ühefaasilise vahelduvvooluga ning ainult andmesildil toodud võrgupingega. Ühendada on võimalik ka kaitsekontaktita pistikupesadesse, kuna nende konstruktsioon vastab kaitseklassile II.

Ühendage seade pistikupesasse ainult välja lülitatult.

TAASKÄIVITUSKAITSE

Nullpingelüliti takistab masina taaskäivitumist pärast voolukatkestust. Töö taasalustamisel lülitage masin välja ja uuesti sisse.

KOORMUSEST SÖLTUV MOOTORI KAITSE

Mootori suurel ülekooormusel rakendub tööle ülekooormuskaitse. Masin tõotab mootori mähise jahutamiseks Milwaukeeelaset edasi. Masina sisselülitamine on võimalik alles pärast piisavat jahtumist, selleks lülitage masin välja ja uuesti sisse.

TÖÖJUHISED

Töödeldavast materjalist sõltuvalt võib kerge löök tunduvalt vähendada puurimisMilwaukeea ning pikendada teemantsegmentide kasutusiga.

TÖÖJUHISED

Parema puurimistulemuse saavutamiseks võtta pärast ca 10-15 mm sügavusele puurimist tsentripuur välja, panna kroonpuur olemasolevasse soonde ja käivitada Milwaukeeelaset masin.

Kui augud ei pea olema väga täpsed, võib puurida ilma tsentripuurita. Panna kroonpuur kaldu peale ning kui on puuritud ca 5 mm sügavusel, seada masin Milwaukeeelaset sirgeks (saab teha ainult lühikeste kroonpuuridega).

Kui puuritud südamik peaks lahti tulema, tõmmata kroonpuur välja ning võtta südamik ära.

Teritatud kroonpuuriga on lihtsam ja parem puurida. Teritamise võimalused: lubjakivi või teritusplaat.

HOOLDUS

Hoidke masina õhutuspiilud alati puhtad.

Löökpuuri sagedase käitamise puhul tuleks puuripadrunit regulaarselt tolm eemaldada. Selleks hoidke masinat püstloodis alla suunatud puuripadrunita ning avage ja sulgege puuripadrunit kogu pingutusvahemiku ulatuses. Kogunenud tolm langeb nii puuripadrunit välja.

Soovitatakse kinnitussukkide ja kinnitussukkide puurete puhul kasutada regulaarselt puhustatavat puhastusvedelikku (jrk nr 4932 6217 19).

Kui võrguühenduskaabel on kahjustatud, tuleb see spetsiaalsete tööriistade kasutamise tõttu lasta välja vahetada klienditeeninduses, Text hier anhängen.

Kasutage ainult Milwaukee tarvikuid ja tagavaraosi. Detailid, mille väljavahetamist pole kirjeldatud, laske välja vahetada Milwaukee klienditeeninduspunktis (vaadake brošüüri garantii / klienditeeninduste aadressid).

Vajaduse korral võite tellida seadme läbilõikejoonise, näidates ära masina tüübi ja andmesildil oleva numbri. Selleks pöörduge klienditeeninduspunkti või otse: Techtronic Industries GmbH, Max-Eyth-Straße 10, 71364 Winnenden, Germany.

SÜMBOLID



ETTEVAATUST! TÄHELEPANU! OHUD!



Enne kõiki töid masina kallal tõmmake pistik pistikupesast välja.



Palun lugege enne käikulaskmist kasutamisyhend hoolikalt läbi.



Tarvikud - ei kuulu tarne komplekti, soovitatav täiendus on saadaval tarvikute programmis.



Ärge kõrvaldage elektri- ja elektroonikaseadmete jäätmeid sorteerimata olmejäätmetena.

Elektri- ja elektroonikaseadmete jäätmed tuleb koguda eraldi.

Valgusallikate jäätmed tuleb seadmetest eemaldada. Küsige oma kohalikust omavalitsusest või jaemüüjalt nõuandeid ringlussevõtu ja kogumispunkti kohta. Olenevalt kohalikest määrustest võib jaemüüjal lasuda kohustus võtta elektri- ja elektroonikaseadmeid vastu tasuta.

Teie panus elektri- ja elektroonikaseadmete jäätmete korduskasutusse ja ringlussevõtu aitab vähendada nõudlust toorainete järele.

Elektri- ja elektroonikaseadmete jäätmed sisaldavad väärtuslikke taaskasutatavaid materjale, mis võivad kahjustada keskkonda ja inimeste tervist, kui neid ei kõrvaldata keskkonnasõbralikul viisil.

Kustutage kõrvaldatavatest seadmetest isiklikud andmed, kui neid seal on.



Kaitseklassi II elektritööriist. Elektritööriist, mille puhul ei sõitu kaitse mitte üksnes baasisolatsioonist, vaid ka täiendavate kaitsemeetmete nagu topelisolatsiooni või tugevdatud isolatsiooni kohaldamisest. Mehhanism kaitsejuhi ühendamiseks puudub.



Pöörlemiskiirus tühijooksul



Pinge

Vahelduvvool



Euroopa vastavusmärk



Ühendkuningriigi vastavusmärk



Regulatory Compliance Mark (RCM). Toode vastab kehtivatele eeskirjadele.



Ukraina vastavusmärk



Euraasia vastavusmärk

ТЕХНИЧЕСКИЕ ДАННЫЕ	ДРЕЛЬ ДЛЯ АЛМАЗНОГО СВЕРЛЕНИЯ	DD2-160 XE (220-240V)
Серийный номер изделия	3686 91 05...	...000001-999999
Номинальная выходная мощность.....	1500 W	820 W
Номинальная мощность.....	0-1500 min ⁻¹	0-3000 min ⁻¹
Число оборотов без нагрузки 1-ая передача	890 min ⁻¹	1770 min ⁻¹
Число оборотов без нагрузки 2-ая передача	4800 min ⁻¹	80-162 mm
Макс. скорость под нагрузкой 1-ая передача	32-90 mm	M18
Макс. скорость под нагрузкой 2-я скорость	57 mm	4,2 kg
Количество ударов в минуту.....		
Производительность сверления, 1-я скорость		
Производительность сверления, 2-я скорость		
Хвостовик привода.....		
Диаметр горловины патрона.....		
Вес согласно процедуре EPTA 01/2014.....		

Информация по шумам

Значения замерялись в соответствии со стандартом EN 62841.

Уровень шума прибора, определенный по показателю A, обычно составляет:

Уровень звукового давления (Небезопасность K=3dB(A)) 100 dB (A)
 Уровень звуковой мощности (Небезопасность K=3dB(A)) 111 dB (A)

Пользуйтесь приспособлениями для защиты слуха.

Информация по вибрации

Общие значения вибрации (векторная сумма трех направлений) определены в соответствии с EN 62841.

Значение вибрационной эмиссии a_h

Сверление в металле 2,3 m/s²
 Небезопасность K= 1,5 m/s²
 Ударное сверление в бетоне 18,3 m/s²
 Небезопасность K= 1,5 m/s²
 Ударное сверление в бетоне с алмазной коронкой для сухого сверления 14,8 m/s²
 Небезопасность K= 1,5 m/s²

ВНИМАНИЕ

Заявленные значения вибрации и шумового излучения, указанные в настоящем информационном листе, были измерены согласно стандартизированному методу испытания согласно EN 62841 и могут использоваться для сравнения одного инструмента с другим. Они могут применяться для предварительной оценки воздействия на организм человека.

Указанные значения вибрации и шумового излучения действительны для основных областей применения инструмента. Однако если инструмент используется в других областях применения или с другими принадлежностями либо происходит ненадлежащее обслуживание, значения вибрации и шумового излучения могут отличаться. Это может существенно увеличить уровень воздействия на организм на протяжении общего периода работы.

При оценке уровня воздействия вибрации и шумового излучения на организм также необходимо учитывать периоды, когда инструмент выключен, или когда он работает, но фактически не используется для выполнения работы. Это может существенно сократить уровень воздействия на организм на протяжении общего периода работы.

Определите дополнительные меры для защиты оператора от воздействия вибрации и/или шума, такие как обслуживание инструмента и его принадлежностей, сохранение рук в тепле, организация графиков работы.

ВНИМАНИЕ! Ознакомьтесь со всеми предупреждениями относительно безопасного использования, инструкциями, иллюстративным материалом и техническими характеристиками, поставляемыми с этим электроинструментом. Несоблюдение всех нижеследующих инструкций может привести к поражению электрическим током, пожару и/или тяжелым травмам. **Сохраняйте эти инструкции и указания для будущего использования.**

УКАЗАНИЯ ПО БЕЗОПАСНОСТИ ДЛЯ ДРЕЛИ ДЛЯ АЛМАЗНОГО СВЕРЛЕНИЯ

Инструкция по безопасной эксплуатации для всех видов операций

Во время работы удерживайте инструмент за изолированные ручки, так как лезвие инструмента или его крепления могут коснуться шнура этого же инструмента. Вследствие контакта лезвия или крепления инструмента с проводом, находящимся под напряжением, пользователь может получить удар электрическим током от неизолированных металлических частей инструмента.

Используйте вспомогательные рукоятки, поставляемые вместе с инструментом. Потеря контроля может стать причиной травмы.

Перед началом работы надежно удерживайте устройство с помощью предусмотренной для этого ручки. Данное устройство создает высокий крутящий момент на выходном валу, поэтому если не держать его крепко во время работы, можно потерять над ним контроль и получить травму.

Указания по технике безопасности при использовании длинных буров

Никогда не используйте более высокую скорость, чем максимальная скорость, указанная для сверла. На более высоких скоростях сверло может изогнуться, если будет вращаться без контакта с обрабатываемым изделием, что может привести к травме.

Всегда начинайте работу на низкой скорости и когда сверло контактирует с обрабатываемым изделием. На более высоких скоростях сверло может изогнуться, если будет вращаться без контакта с обрабатываемым изделием, что может привести к травме.

Всегда оказывайте давление исключительно вдоль оси сверла и не давите слишком сильно. Сверла могут изгибаться и ломаться или приводить к потере контроля над устройством, что в свою очередь также может привести к травме.

предназначенные для этого изолированные поверхности. Контакт режущего инструмента с токоведущим проводом может ставить под напряжение металлические части прибора, а также приводить к удару электрическим током.

ДОПОЛНИТЕЛЬНЫЕ УКАЗАНИЯ ПО БЕЗОПАСНОСТИ И РАБОТЕ

Встроенная предохранительная муфта срабатывает только при рывковом заедании. Поэтому работайте всегда с дополнительной рукояткой.

Пользоваться средствами защиты. Работать с инструментом всегда в защитных очках. Рекомендуется спецодежда: пылезащитная маска, защитные перчатки, прочная и нескользящая обувь, каска и наушники.

Пыль, возникающая при работе данным инструментом, может нанести вред здоровью. Не следует допускать её попадания в организм. Надевайте противопылевой респиратор.

Запрещается обрабатывать материалы, которые могут нанести вред здоровью (напр., асбест).

При блокировании используемого инструмента немедленно выключите прибор! Не включайте прибор до тех пор, пока используемый инструмент заблокирован, в противном случае может возникнуть отдача с высокими реактивным моментом. Определите и устраните причину блокирования используемого инструмента с учетом указаний по безопасности.

Возможными причинами могут быть:

- перекос заготовки, подлежащей обработке
- разрушение материала, подлежащего обработке
- перегрузка электроинструмента

Не прикасаться к работающему станку.

Используемый инструмент может нагреваться во время применения.

ВНИМАНИЕ! Опасность получения ожога

- при смене инструмента
- при укладывании прибора

Не убирайте опилки и обломки при включенном инструменте.

Держите силовой провод вне рабочей зоны инструмента. Всегда прокладывайте кабель за спиной.

При работе в стенах, потолках или полу следите за тем, чтобы не повредить электрические кабели или водопроводные трубы.

Зафиксируйте вашу заготовку с помощью зажимного приспособления. Незафиксированные заготовки могут привести к тяжелым травмам и повреждениям.

Перед выполнением каких-либо работ по обслуживанию инструмента всегда вынимайте вилку из розетки.

При работе с большими диаметрами, дополнительная рукоятка должна быть зафиксирована под прямым углом к основной (см. иллюстрацию).

ИСПОЛЬЗОВАНИЕ

Алмазная дрель служит для сухого сверления алмазными коронками. С установленным патроном может использоваться для ударного сверления отверстий в камне, а также в дереве и стали. Дрель не предназначена для мокрого сверления отверстий в бетоне.

Не пользуйтесь данным инструментом способом, отличным от указанного для нормального применения.

ДЕКЛАРАЦИЯ СООТВЕТСТВИЯ ЕС

Пол собственную ответственность мы как производитель заявляем о том, что описанное в разделе «Технические характеристики» изделие отвечает всем соответствующим требованиям директив 2011/65/ЕС (директива, ограничивающая содержание вредных веществ), 2014/30/ЕС, 2006/42/ЕС и следующих гармонизированных нормативных документов:

EN 62841-1:2015
 EN 62841-2-1:2018+A11:2019
 EN 55014-1:2017+A11:2020
 EN 55014-2:2015
 EN 61000-3-2:2014
 EN 61000-3-3:2013
 EN IEC 63000:2018

Winnenden, 2021-01-20



Alexander Krug
 Managing Director



Уполномочен на составление технической документации.

Techtronic Industries GmbH
 Max-Eyth-Straße 10
 71364 Winnenden
 Germany

ПОДКЛЮЧЕНИЕ К ЭЛЕКТРОСЕТИ

Электроприборы, используемые во многих различных местах, в том числе на открытом воздухе, должны подключаться через устройство, предотвращающее резкое повышение напряжения (FI, RCD, PRCD).

Подсоединять только к однофазной сети переменного тока с напряжением, соответствующим указанному на инструменте. Электроинструмент имеет второй класс защиты, что позволяет подключать его к розеткам электропитания без заземляющего вывода.

Перед включением вилки в розетку убедитесь, что машина выключена.

ЗАЩИТА ОТ ПОВТОРНОГО ВКЛЮЧЕНИЯ

Нулевой выключатель препятствует повторному пуску машины после перерыва в электроснабжении. При новом вводе в действие машину выключите и снова включите.

ЗАЩИТА МОТОРА ПРИ ПЕРЕГРУЗКЕ

При высокой нагрузке на двигатель срабатывает защита от перегрузок. Инструмент будет продолжать медленно работать, чтобы дать мотору остыть. После достаточного остывания инструмент можно включить снова, предварительно выключив его.

СОВЕТЫ ПО ЭКСПЛУАТАЦИИ

В зависимости от материала применение «мягкого» ударного режима позволяет значительно сократить время сверления или увеличить срок службы алмазной коронки.

УКАЗАНИЯ ПО РАБОТЕ

Для более быстрого сверления выньте центровое сверло, просверлив на глубину 10-15 мм. Вставьте коронку в просверленный паз и равномерно высверливайте.

Большие отверстия не требующие точного расположения могут быть просверлены без центрального сверла. Для этого приставьте коронку под наклоном и медленно продвигайте инструмент вперед, когда пройдете глубину примерно 5 мм. (Это возможно только с использованием коротких коронок!)

Когда керн отломится (разрушится), выньте коронку из материала и удалите керн.

Для наилучшей работы алмазные сегменты должны быть "загрублены" так, чтобы выступали фрагменты алмазов: для этого потрите поверхность сегментов камнем

ОБСЛУЖИВАНИЕ

Всегда держите охлаждающие отверстия чистыми.

Если инструмент используется в основном для ударного сверления регулярно удаляйте скопившуюся в патроне пыль. Для удаления пыли, держите инструмент вертикально патроном вниз и полностью откройте и закройте патрон. Скопившаяся пыль должна высыпаться из патрона.

Рекомендуется периодически использовать чистящее средство (номер 4932 6217 19) для зажимных приспособлений и держателей буров.

При повреждении сетевого соединительного кабеля его замену производит служба технической поддержки клиентов, так как для этого требуется специальный инструмент.

Пользуйтесь аксессуарами и запасными частями только фирмы Milwaukee. В случае возникновения необходимости в замене, которая не была описана, пожалуйста, обращайтесь на один из сервисных центров (см. список наших гарантийных/сервисных организаций).

При необходимости может быть заказан чертеж инструмента с трехмерным изображением деталей. Пожалуйста, укажите номер и тип инструмента и закажите чертеж у Ваших местных агентов или непосредственно у Techtronic Industries GmbH, Max-Eyth-Straße 10, 71364 Winnenden, Germany.

СИМВОЛЫ



ВНИМАНИЕ! ПРЕДУПРЕЖДЕНИЕ! ОПАСНОСТЬ!



Перед выполнением каких-либо работ по обслуживанию инструмента всегда вынимайте вилку из розетки.



Пожалуйста, внимательно прочтите инструкцию по использованию перед началом любых операций с инструментом.



Принадлежности - В стандартную комплектацию не входит, поставляется в качестве дополнительной принадлежности.



Не выбрасывайте отработанное электрическое и электронное оборудование вместе с бытовыми отходами. Отработанное электрическое и электронное оборудование должно быть утилизировано отдельно. Отработавшие источники света необходимо предварительно извлечь из оборудования. За дополнительной информацией по утилизации и сбору обратитесь в местные муниципальные органы или в розничный магазин. Нормативные требования в некоторых регионах могут обязывать розничные магазины бесплатно утилизировать отработанное электрическое и электронное оборудование.

Ваш вклад в повторное использование и переработка старого электронного и электрического оборудования позволяет снизить потребность в сырьевых ресурсах. Отработавшее электронное и электрическое оборудование содержит ценные перерабатываемые материалы. Однако при ненадлежащей утилизации данные компоненты могут нанести вред окружающей среде и здоровью человека. Удалите конфиденциальную информацию с оборудования при ее наличии.



Электроинструмент с классом защиты II. Электроинструмент, в котором защита от электрического удара зависит не только от основной изоляции, но и от того, что принимаются дополнительные защитные меры, такие как двойная изоляция или усиленная изоляция. Нет устройства для подключения защитного провода.



Число оборотов без нагрузки



Напряжение



Переменный ток



Европейский знак соответствия



Британский знак соответствия



Regulatory Compliance Mark (RCM). Продукт соответствует требованиям действующих предписаний.



Украинский знак соответствия



Евразийский знак соответствия



ТЕХНИЧЕСКИ ДАННИ ДИАМАНТНО-ПРОБИВНА МАШИНА

DD2-160 XE (220-240V)

Производствен номер.....	3686 91 05... ...000001-999999
Номинална консумирана мощност.....	1500 W
Отдавана мощност.....	820 W
Обороти на празен ход, на 1. скорост.....	0-1500 min ⁻¹
Обороти на празен ход, на 2. скорост.....	0-3000 min ⁻¹
Макс. обороти при натоварване, на 1. скорост.....	890 min ⁻¹
Макс. обороти при натоварване, на 2. скорост.....	1770 min ⁻¹
Макс. брой на ударе.....	48000 min ⁻¹
Диаметър на сверлото на: 1. скорост.....	80-162 mm
Диаметър на сверлото на: 2. скорост.....	32-90 mm
Шпиндел на бормашината.....	M18
Диаметър на отвора на патронника.....	57 mm
Тегло съгласно процедурата EPTA 01/2014.....	4,2 kg

Информация за шума

Измерените стойности са получени съобразно EN 62841.

Оцененото с А ниво на шума на уреда е съответно:

Равнище на звуковото налягане (Несигурност K=3dB(A)) 100 dB (A)

Равнище на мощността на звука (Несигурност K=3dB(A)) 111 dB (A)

Да се носи предпазно средство за слуха!

Информация за вибрациите

Общите стойности на вибрациите (векторна сума на три посоки) са определени в съответствие с EN 62841.

Стойност на емисии на вибрациите a_h

Пробиване на метал..... 2,3 m/s²

Несигурност K=..... 1,5 m/s²

Ударно пробиване в бетон..... 18,3 m/s²

Несигурност K=..... 1,5 m/s²

Ударно пробиване в бетон с диамантена боркорона..... 14,8 m/s²

Несигурност K=..... 1,5 m/s²

ВНИМАНИЕ

Посочените в настоящия информационен лист нива на вибрации и шумови емисии са измерени в съответствие със стандартизирано изпитване, предоставено в EN 62841, и могат да се използват за сравняване на един инструмент с друг. Те може също така да се използват и за предварителна оценка на излагането на вредни въздействия.

Декларираните нива на вибрации и шумови емисии се отнасят за основните приложения на инструмента. Ако обаче инструментът се използва за други приложения, с други приспособления или не се поддържа добре, нивата на вибрации и шумови емисии могат да са различни. Това може значително да повиши нивото на излагане на вредни въздействия за общата продължителност на работата.

При оценка на нивото на излагане на въздействието на вибрации и шум следва също така да се вземе предвид времето, през което инструментът е изключен или през което е включен, но не се използва. Това може значително да понижи нивото на излагане на вредни въздействия за общата продължителност на работата.

Определете допълнителни мерки за безопасност за защита на оператора от въздействието на вибрациите и/или шума, като например поддръжка на инструмента и приспособленията, поддържането на топчината на ръцете и организацията на работата.



ВНИМАНИЕ! Прочетете всички указания за

безопасност, инструкции, илюстрации и

спецификации за този електроинструмент.

Пропуските при спазване на приведените по-долу

указания могат да доведат до токов удар, пожар и/или

тежки травми.

Запазете тези инструкции и указания за безопасност

за бъдещи справки.

ИНСТРУКЦИИ ЗА БЕЗОПАСНОСТ ЗА ДИАМАНТНО-ПРОБИВНА МАШИНА

Инструкции за безопасност при всички дейности

Дръжте електрическия инструмент за изолираните

повърхности за хващане, когато извършвате

операция, при която режещото острие или стягите

могат да влязат в досег със скрити проводници или

със собствения си захранващ кабел. При досег с

проводник под напрежение по режещото острие или по

стягите може да протече ток, който да причини

електрически удар на оператора.

Използвайте доставените с уреда допълнителни

ръкохватки. Загубата на контрол може да доведе до

наранявания.

Преди започване на работа хванете здраво уреда за

предвидената за целта ръкохватка. Уредът създава

висок начален въртящ момент и ако по време на

работа не го държите здраво, можете да загубите

контрол над него и да се нараните.

Указания за безопасност при използването на дълги

свердла

Никога не използвайте по-високи обороти от

максималните обороти, предвидени за пробивация

накрайник. При по-високи обороти крайникът може

да се огъне, когато се върти без контакт с детайла,

което може да доведе до наранявания.

Винаги стартирайте с ниски обороти и работете с

таква, когато пробиващият крайник се намира в

контакт с детайла. При по-високи обороти крайникът

може да се огъне, когато се върти без контакт с

детайла, което може да доведе до наранявания.

Винаги прилагайте натиск само в директна посока към пробивачия накрайник и не натискайте прекалено силно. Пробивачите накрайници могат да се огънат и да се счупят, или да причинят загуба на контрол над уреда, поради което да се стигне до наранявания.

ДОПЪЛНИТЕЛНИ УКАЗАНИЯ ЗА РАБОТА И БЕЗОПАСНОСТ

Вграденият плъзгащ съединител се задейства само при рязко блокиране, затова винаги използвайте допълнителната ръкохватка.

Да се използват предпазни средства. При работа с машината винаги носете предпазни очила. Препоръчват се защитно облекло и прахозащитна маска, защитни ръкавици, здрави и нехлъзгащи се обувки, каска и предпазни средства за слуха.

Прахът, който се образува при работа, често е вреден за здравето и не бива да попада в тялото. Да се носи подходяща прахозащитна маска.

Не е разрешена обработката на материали, които представляват опасност за здравето (напр. азбест).

Ако използваният инструмент блокира, изключете веднага уреда! Не включвайте уреда отново, докато използваният инструмент е блокиран; това би могло да доведе до откат с висока реактивна сила. Открийте и отстранете причината за блокирането на използвания инструмент имайки в предвид инструкциите за безопасност.

Възможните причини за това могат да бъдат:

- Заключване в обработваната част
- Пробиване на материала
- Пренатоварване на електрическия инструмент

Не бъркайте в машината, докато тя работи.

Използваният инструмент може да загрее по време на употреба.

ВНИМАНИЕ! Опасност от изгаряния

- при смяна на инструмента
- при оставяне на уреда

Стружки или отчупени парчета да не се отстраняват, докато машина работи.

Свързващият кабел винаги да се държи извън работния обсег на машината. Кабелът да се отвежда от машината винаги назад.

При работа в стени, тавани или подове внимавайте за кабели, газопроводи и водопроводи.

Закрепете обработваната част с устройство за захващане. Незакрепени части за обработка могат да причинят сериозни наранявания и материални щети.

Преди каквито и да е работи по машината извадете щепсела от контакта.

При големи диаметри на пробивания отвор допълнителната ръкохватка трябва да се закрепят перпендикулярно на основната ръкохватка. Виж също в частта със снимки, точка "Завъртане на ръкохватката".

ИЗПОЛЗВАНЕ ПО ПРЕДНАЗНАЧЕНИЕ

Бормашината може да се използва за пробиване с диамантени сухи боркорони. С поставен патронник машината е подходяща за ударно пробиване в камък и за пробиване в дърво и стомана. Машината не е подходяща за мокро пробиване в бетон.

Този уред може да се използва по предназначение само както е посочено.

ДЕКЛАРАЦИЯ ЗА СЪОТВЕТСТВИЕ НА ЕО

В качеството си на производител декларираме на собствена отговорност, че продуктът, описан в „Технически данни“, отговаря на всички съответстващи разпоредби на Директиви 2011/65/ЕС (RoHS), 2014/30/ЕС, 2006/42/ЕО и на следните хармонизирани нормативни документи:

EN 62841-1:2015
EN 62841-2-1:2018+A11:2019
EN 55014-1:2017+A11:2020
EN 55014-2:2015
EN 61000-3-2:2014
EN 61000-3-3:2013
EN IEC 63000:2018

Winnenden, 2021-01-20


Alexander Krug
Managing Director



Упълномощен за съставяне на техническата документация

Techtronic Industries GmbH
Max-Eyth-Straße 10
71364 Winnenden
Germany

ЗАЩИТА НА ДВИГАТЕЛЯ В ЗАВИСИМОСТ ОТ НАТОВАРВАНЕТО

Контактите във външните участъци трябва да бъдат оборудвани със защитни прекъсвачи за утечен ток (FI, RCD, PRCD). Това изисква предписанието за инсталации за електрическата инсталация. Моля спазвайте това при използване на Вашия уред.

Да се свързва само към еднофазен променлив ток и само към мрежово напрежение, посочено върху заводската табелка. Възможно е и свързване към контакт, който не е от тип "шуко", понеже конструкцията е от защитен клас II.

Свързвайте уреда към контакта само в изключено състояние.

ЗАЩИТА ОТ ПОВТОРНО ПУСКАНЕ

Нулевият прекъсвач предотвратява повторно задвижване на машината след отпадане на тока. При възобновяване на работата машината да се изключи и да се включи отново.

ЗАЩИТА НА ДВИГАТЕЛЯ В ЗАВИСИМОСТ ОТ НАТОВАРВАНЕТО

При голямо претоварване на двигателя се задейства защитата на двигателя срещу претоварване. Машината продължава да се върти бавно до охлаждане на намотката на двигателя. Машината може да се включи едва след достатъчно охлаждане, за целта изключете и отново включете машината.

УКАЗАНИЯ ЗА РАБОТАТА

В зависимост от обработвания материал мекият удар може да предизвика определено намаляване на времето за пробиване или по-голяма издръжливост на диамантените сегменти.

УКАЗАНИЯ ЗА РАБОТА

За увеличаване на производителността при пробиване след достигане на дълбочина от около 10-15 mm извадете центровото свредло, поставете боркороната в наличния канал и пуснете машината бавно да се завърти.

Отвори, които не е необходимо да бъдат започнати точно, могат да се правят без центрово свредло. За целта боркороната се подвежда под наклон, а след достигане на дълбочина от около 5 mm машината бавно се изправя. (Това е възможно само при къси боркорони.)

Ако в отвора се отчупят парчета от пробивания материал, извадете боркороната от материала и отстранете парчетата.

Наточената боркорона улеснява използването и по-бързото пробиване. Възможности за заточване: в силикатна тухла или в пластина за заточване.

ПОДДРЪЖКА

Вентилационните шлицы на машината да се поддържат винаги чисти.

Когато машината често се използва за ударно пробиване, патронникът следва често да се почиства от прах. За целта дръжте машината с патронника вертикално надолу, отворяйте патронника напълно и после го затваряйте. Така насъбралият се прах пада от патронника.

Препоръчва се редовно използване на спрей за почистване (Ид.№ 4932 6217 19) на затегателните челюсти и на техните отвори.

Ако кабелът на захранването е повреден, то занесете го за смяна в сервиз, тъй като за това са необходими специални инструменти.

Да се използват само аксесоари на Milwaukee и резервни части на. Елементи, чията подмяна не е описана, да се дадат за подмяна в сервиз на Milwaukee (вижте брошурата "Гаранция и адреси на сервизи").

При необходимост можете да поискате за уреда от Вашия сервиз или директно от Techtronic Industries GmbH, Max-Eyth-Straße 10, 71364 Winnenden, Germany, чертеж за в случай на експлозия, като посочите типа на машината и номер върху заводската табелка.

СИМВОЛИ



ВНИМАНИЕ! ПРЕДУПРЕЖДЕНИЕ!
ОПАСНОСТ



Преди каквито и да е работи по машината извадете щепсела от контакта.



Преди пускане на уреда в действие моля прочетете внимателно инструкцията за използване.



Аксесоари - Не се съдържат в обема на доставката, препоръчвано допълнение от програмата за аксесоари.



Отпадъците от електрическо и електронно оборудване не трябва да се изхвърлят заедно с битовите отпадъци.

Отпадъците от електрическо и електронно оборудване трябва да се събират и изхвърлят отделно.

Преди изхвърлянето отстранявайте лампите от уредите. Информирайте се от местните служби или от своя специализиран търговец относно фирмите за рециклиране и местата за събиране на отпадъци.

В зависимост от местните разпоредби, търговците на дребно могат да задължени да приемат безплатно върнатите обратно отпадъци от електрическо и електронно оборудване.

Дайте своя принос за намаляването на нуждите от суровини чрез повторната употреба и рециклирането на Вашите отпадъци от електрическо и електронно оборудване.

Отпадъците от електрическо и електронно оборудване съдържат ценни рециклиращи се материали, които могат да повлияят отрицателно на околната среда и на Вашето здраве, ако не се изхвърлят по екологосъобразен начин.

Преди изхвърлянето като отпадък изтрийте от Вашия употребяван уред евентуално наличните в него лични данни.



Електроинструмент от защитен клас II. Електроинструмент, при който защитата от електрически удар зависи не само от основната изолация, а и от обстоятелството, че се използват допълнителни защитни мерки като двойна изолация или усилена изолация. Няма приспособление за присъединяване на защитен проводник.



Обороти на празен ход



Напрежение



Променлив ток



Европейски знак за съответствие



Британски знак за съответствие



Regulatory Compliance Mark (RCM). Продуктът отговаря на приложимите нормативни изисквания.



Украински знак за съответствие



Евро-азиатски знак за съответствие

DATE TEHNICE MAȘINĂ DE GĂURIT CU CAROTĂ DIAMANTATĂ DD2-160 XE (220-240V)

Numer producție.....	3686 91 05...
	...000001-999999
Putere nominală de ieșire.....	1500 W
Putere de iesire.....	820 W
Viteza la mers în gol prima treaptă de putere.....	0-1500 min ⁻¹
Viteza la mers în gol a 2-a treaptă.....	0-3000 min ⁻¹
Viteza sub sarcina max. prima treaptă de putere.....	890 min ⁻¹
Viteza sub sarcina max. a doua treaptă de putere.....	1770 min ⁻¹
Rata de percuție.....	48000 min ⁻¹
Capacitate de găurire în prima treaptă de putere.....	80-162 mm
Capacitate de găurire în a 2-a treaptă de putere.....	32-90 mm
Capăt de acționare.....	M18
Diametru gât mandrină.....	57 mm
Greutatea conform „EPTA procedure 01/2014”.....	4,2 kg

Informație privind zgomotul

Valori măsurate determinate conform EN 62841.

Nivelul de zgomot evaluat cu A al aparatului este tipic de:

Nivelul presiunii sonore (Nesiguranță K=3dB(A))..... 100 dB (A)

Nivelul sunetului (Nesiguranță K=3dB(A))..... 111 dB (A)

Purtați căști de protecție**Informații privind vibrațiile**

Valorile totale de oscilație (suma vectorială pe trei direcțideterninate conform normei EN 62841.

Valoarea emisiei de oscilații a_h

Găurit în metal.....	2,3 m/s ²
Nesiguranță K=.....	1,5 m/s ²
Găurit cu percuție în beton.....	18,3 m/s ²
Nesiguranță K=.....	1,5 m/s ²
Găurit cu percuție în beton cu cuțit cu diamant uscat.....	14,8 m/s ²
Nesiguranță K=.....	1,5 m/s ²

AVERTISMENT

Nivelul vibrației și emisiei de zgomot indicat în această fișă informativă a fost măsurat în conformitate cu o metodă standard de testare specificată în EN 62841 și se poate utiliza pentru a compara dispozitivele între ele. Acesta se poate utiliza și într-o evaluare preliminară a expunerii.

Nivelul declarat al vibrației și emisiei sonore reprezintă principalele aplicații ale dispozitivului. Cu toate acestea, dacă dispozitivul este utilizat pentru aplicații diferite, cu accesorii diferite sau întreținute necorespunzător, emisia de vibrații și zgomote poate diferi. Acest lucru poate crește semnificativ nivelul expunerii pe întreaga perioadă de lucru.

O estimare a nivelului de expunere la vibrații și zgomot ar trebui să țină cont și de momentele în care dispozitivul este oprit sau când funcționează, dar nu realizează de fapt nicio lucrare. Acest lucru poate reduce semnificativ nivelul expunerii pe întreaga perioadă de lucru.

Identificați măsuri de siguranță suplimentare pentru a proteja operatorul de efectele vibrațiilor și/sau zgomotului, cum ar fi: întreținerea dispozitivului și a accesoriilor, menținerea caldă a mâinilor, organizarea modelelor de lucru.

AVERTISMENT A se citi toate avertismentele, instrucțiunile, ilustrațiile și specificațiile privind siguranța furnizate cu această unealtă electrică.

Nerespectarea tuturor instrucțiunilor listate mai jos poate cauza șocuri electrice, incendii și/sau vătămări corporale grave.

Păstrați toate indicațiile de avertizare și instrucțiunile în vederea utilizărilor viitoare.

INSTRUCȚIUNI DE SIGURANȚĂ PENTRU MAȘINA DE GĂURIT CU CAROTĂ DIAMANTATĂ**Instrucțiuni de siguranță pentru toate operațiile**

Țineți unealta electrică de suprafețele de prindere izolate în timp ce efectuați o operație în timpul căreia accesoriul de tăiere sau accesoriile de fixare ar putea atinge cablajul ascuns sau cablul propriu. Accesorii de tăiere sau accesoriile de fixare care intră în contact cu un conductor sub tensiune pot face ca piesele metalice expuse ale uneltei electrice să intre sub tensiune și ar putea electrocuta operatorul.

Utilizați manerale auxiliare livrate cu scula. Pierderea controlului poate provoca rănirea persoanelor.

Înainte de începerea lucrului apucați bine aparatul de mânerul prevăzut în acest scop. Acest aparat produce un cuplu de ieșire ridicat și, dacă nu îl țineți bine în timpul funcționării, puteți pierde controlul asupra aparatului și vă puteți răni.

Instrucțiuni de siguranță pentru utilizarea burghiilor lungi

Nu utilizați niciodată o turație mai mare decât turația maximă indicată pentru burghiu. La turații mai mari, burghiul se poate îndoi când se rotește fără contact cu piesa, ceea ce poate duce la accidentări.

Începeți întotdeauna cu o turație mică și în timp ce burghiul se află în contact cu piesa. La turații mai mari, burghiul se poate îndoi când se rotește fără contact cu piesa, ceea ce poate duce la accidentări.

Exercitați întotdeauna presiune numai direct pe burghiu și nu apăsați prea tare. Burghiile se pot îndoi și se pot rupe sau pot conduce la pierderea controlului asupra aparatului, ceea ce poate antrena accidentări.

INSTRUCȚIUNI SUPLIMENTARE DE SIGURANȚĂ ȘI DE LUCRU

Ambreiajul încorporat reacționează numai la blocare cu impulsuri și de aceea trebuie să folosiți întotdeauna un maner adițional.

Folosiți echipament de protecție . Purtați întotdeauna ochelari de protecție când lucrați cu mașina . Se recomandă utilizarea hainelor de protecție ca de ex. Măști comandă prafului, mănuși de protecție, încălțăminte stabilă nealunecoasă, cască și apărătoare de urechi.

Praful care apare când se lucrează cu această sculă poate fi dăunător sănătății și prin urmare nu trebuie să atingă corpul. Purtați o mască de protecție corespunzătoare împotriva prafului.

Nu se admite prelucrarea unui material care poate pune în pericol sănătatea operatorului (de exemplu azbestul).

La blocarea sculei demontabile vă rugăm să deconectați imediat aparatul! Nu conectați aparatul atâta timp cât scula demontabilă este blocată; dacă o faceți, s-ar putea să se producă un recul cu un cuplu mare de reacție. Găsiți și remediați cauza de blocare a sculei demontabile respectând indicațiile pentru siguranță.

Cauzele posibile pot fi:

- Agățarea în piesa de prelucrat
- Străpungerea materialului de prelucrat
- Suprasolicitarea sculei electrice

Nu atingeți părțile mașinii aflate în rotație.

Scula introdusă poate să devină fierbinte în timpul utilizării. **AVERTISMENT!** Pericol de arsuri

- la schimbarea sculei
- la depunerea aparatului

Rumegușul și spanul nu trebuie îndepărtate în timpul funcționării mașinii.

Păstrați cablul de alimentare la o distanță de aria de lucru a mașinii. Întotdeauna țineți cablul în spatele dvs.

Când se lucrează pe pereți, tavan sau dușumea, aveți grijă să evitați cablurile electrice și țevile de gaz sau de apă.

Așigurați piesa de prelucrat cu un dispozitiv de fixare. Piese neasigurate pot provoca accidentări grave și stricăciuni.

Întotdeauna scoateți stecarul din priză înainte de a efectua intervenții la mașină.

Când se lucrează cu diametre de perforare mari, manerul auxiliar trebuie fixat în unghi drept față de manerul principal (vezi ilustrații, secțiunea "Răsucire mâner")

CONDIȚII DE UTILIZARE SPECIFICE

Mașina de găurit cu diamant poate fi folosită pentru a da găuri cu capete de burghiu diamantate uscate. Cu capul port-burghiu montat mașina este adecvată forajului prin percuție în rocă și realizării găurilor în lemn și oțel. Mașina nu este adecvată găuririi umede în beton.

Nu utilizați acest produs în alt mod decât cel stabilit pentru utilizare normală

DECLARAȚIE DE CONFORMITATE CE

În calitate de producător declarăm pe propria răspundere că produsul descris la "Date tehnice" este în concordanță cu toate prevederile legale relevante ale Directivelor 2011/65/UE (RoHS), 2014/30/UE, 2006/42/CE, precum și ale următoarelor norme armonizate:

EN 62841-1:2015
EN 62841-2-1:2018+A11:2019
EN 55014-1:2017+A11:2020
EN 55014-2:2015
EN 61000-3-2:2014
EN 61000-3-3:2013
EN IEC 63000:2018

Winnenden, 2021-01-20



Alexander Krug
Managing Director



Împuternicit să elaboreze documentația tehnică.

Techtronic Industries GmbH
Max-Eyth-Straße 10
71364 Winnenden
Germany

ALIMENTARE DE LA REȚEA

Aparatele utilizate în multe locații diferite inclusiv în aer liber trebuie conectate printr-un disjunct (FI, RCD, PRCD) care previne comutarea.

Conectați numai la priză de curent alternativ monofazat și numai la tensiunea specificată pe placuța indicatoare. Se permite conectarea și la prize fără împământare dacă modelul se conformează clasei II de securitate.

Asigurați-vă că aparatul este oprit, înainte de conectare .

PROTECȚIE CONTRA REPORNIRII

Un comutator de tensiune zero previne repornirea mașinii după o cădere de tensiune. La reluarea lucrului , opriți mașina și apoi o reporniți.

PROTECȚIA MOTORULUI ÎN CAZ DE SUPRASARCINĂ

Dispozitiv de protecție a motorului controlat de sarcina motorului. Mașina va continua să funcționeze încet pentru răcirea motorului. După răcirea suficientă , mașina poate fi repornită prin oprire și pornire înca o dată.

PERCUȚIE LEJERĂ

În funcție de materialul care trebuie prelucrat, percuția lejeră poate avea ca rezultat o reducere drastică a timpului de găurire sau o viață mai lungă a segmentelor diamantate.

INDICAȚII DE LUCRU

Pentru a obține o mai bună înaintare a burghiului scoateți burghiul de centrare după ce ați atins o adâncime de cca 10- 15 mm. Introduceți burghiul de găurire și lasați mașina să lucreze încet.

Găurile care nu trebuie să fie realizate exact pot fi perforate fără burghiu de centrare. În acest scop, poziționați oblic burghiul și îndreptați încet mașina când s-a atins o adâncime de cca 5 mm (acest lucru este posibil numai când se utilizează burghie scurte)

Când carota se slăbește , scoateți burghiul din material și înlăturați-o.

Pentru cea mai bună performanță segmentele diamantate trebuie să fie "neșlefuite" pentru a expune fragmentele de diamant. Pentru a expune fragmentele de diamant , frecăți suprafața segmentelor cu o piatră.

INTREȚINERE

Fantele de aerisire ale mașinii trebuie să fie menținute libere tot timpul

Dacă mașina este folosită în principal pentru perforare prin percuție, înlăturați în mod regulat praful colectat din mandrină. Pentru a înlătura praful, țineți mașina cu mandrina vertical în jos și deschideți mandrina complet și închideți-o. Praful colectat va cădea din mandrină.

Se recomandă utilizarea regulată a unui aspirator pentru făciile de strângere și orificiile acestora.

Dacă cablul de racordare la rețea este avariata, acesta trebuie înlocuit la un punct de service, deoarece pentru aceasta este nevoie de scule speciale.

Utilizați numai accesorii și piese de schimb Milwaukee. Dacă unele din componentele care nu au fost descrise trebuie înlocuite, vă rugăm contactați unul din agenții de service Milwaukee (vezi lista noastră pentru service / garanție)

Dacă este necesară, se poate comanda o imagine descompusă a sculei. Vă rugăm menționați numărul art. Precum și tipul mașinii tipărit pe etichetă și comandați desenul la agenții de service locali sau direct la Techtronic Industries GmbH, Max-Eyth-Straße 10, 71364 Winnenden, Germany.

SIMBOLURI



PERICOL! AVERTIZARE! ATENȚIE!



Întotdeauna scoateți stecarul din priză înainte de a efectua intervenții la mașină.



Vă rugăm citiți cu atenție instrucțiunile înainte de pornirea mașinii



Accesorii - Nu este inclus în echipamentul standard, disponibil ca accesoriu



Deșeurile de echipamente electrice și electronice nu se elimină ca deșeurii municipale nesortate. Deșeurile de echipamente electrice și electronice trebuie colectate separat. Deșeurile de materiale de iluminat trebuie îndepărtate din echipament. Informații-vă de la autoritățile locale sau de la comercianții acreditați în legătură cu centrele de reciclare și de colectare. În conformitate cu reglementările locale retailerii pot fi obligați să colecteze gratuit deșeurile de echipamente electrice și electronice. Contribuția dumneavoastră la reutilizarea și reciclarea deșeurilor de echipamente electrice și electronice contribuie la reducerea cererii de materii prime. Deșeurile de echipamente electrice și electronice conțin materiale reciclabile valoroase, care pot avea un impact negativ asupra mediului și sănătății umane, în cazul în care nu sunt eliminate în mod ecologic. În cazul în care pe echipamente au fost înregistrate date cu caracter personal, acestea trebuie șterse înainte de eliminarea echipamentelor ca deșeurii.

	Sculă electrică cu clasa de protecție II. Sculă electrică la care protecția împotriva unei electrocutări nu depinde doar de izolația de bază, ci și de aplicarea de măsuri suplimentare de protecție, cum ar fi o izolație dublă sau o izolație mai puternică. Nu există un dispozitiv pentru conectarea unui conductor de protecție.
n_0	Viteza de mers în gol
\checkmark	Tensiune
	Curent alternativ
	Marcă de conformitate europeană
	Marcă de conformitate britanică
	Regulatory Compliance Mark (RCM). Produsul îndeplinește normele în vigoare.
	Marcă de conformitate ucraineană
	Marcă de conformitate eurasiatică

ТЕХНИЧКИ ПОДАТОЦИ ДИЈАМАНТСКА БОРМАШИНА

DD2-160 XE (220-240V)

Производен број.....	3686 91 05... ...000001-999999
Определен внес.....	1500 W
Излез.....	820 W
Брзина без оптоварување 1ва брзина.....	0-1500 min ⁻¹
Брзина без оптоварување 2ва брзина.....	0-3000 min ⁻¹
Брзина при максимално оптоварување 1ва брзина.....	890 min ⁻¹
Брзина при максимално оптоварување 2ра брзина.....	1770 min ⁻¹
Јачина на удар.....	48000 min ⁻¹
Капацитет на дупчалка, прва брзина.....	80-162 mm
Капацитет на дупчалка, втора брзина.....	32-90 mm
Возен крак.....	M18
Дијаметар на вратот на врв.....	57 mm
Тежина според ЕПТА-процедурата 01/2014.....	4,2 kg

Информации за бучавата

Измерените вредности се одредени согласно стандардот EN 62841.

A-оценетото ниво на бучава на апаратот типично

изнесува:

Ниво на звучен притисок. (Несигурност K=3dB(A))..... 100 dB (A)

Ниво на јачина на звук. (Несигурност K=3dB(A))..... 111 dB (A)

Носте штитник за уши.

Информации за вибрации

Вкупни вибрациски вредности (векторски збир на трите насоки) пресметани согласно EN 62841.

Вибрациска емисиона вредност a_h

Дупчење во метал.....	2,3 m/s ²
Несигурност K.....	1,5 m/s ²
Перкусиско дупчење во бетон.....	18,3 m/s ²
Несигурност K.....	1,5 m/s ²
Перкусиско дупчење во бетон нож со дијамантско јадро.....	14,8 m/s ²
Несигурност K.....	1,5 m/s ²

ПРЕДУПРЕДУВАЊЕ

Нивото на вибрации и емисија на бучава дадени во овој информативен лист се измерени во согласност со стандардизиран метод на тестирање даден во EN 62841 и може да се користат за споредување на еден електричен алат со друг. Тие исто така може да се користат при првична проценка на изложеност.

Наведеното ниво на вибрации и емисија на бучава ја претставува главната примена на алатот. Сепак ако алатот се користи за поинакви примени, со поинаков прибор или лошо се одржува, вибрациите и емисијата на бучава може да се разликуваат. Тоа може значително да го зголеми нивото на изложеност преку целиот работен период.

Проценка на нивото на изложеност на вибрации и бучава треба исто така да се земе предвид кога е исклучен алатот или кога е вклучен, но не врши никаква работа. Тоа може значително да го намали нивото на изложеност преку целиот работен период.

Утврдете дополнителни безбедносни мерки за да се заштити операторот од ефектите на вибрациите и/или бучавата како на пр.: одржувајте го алатот и приборот, рацете нека ви бидат топли, организација на работните шеми.

⚠ ПРЕДУПРЕДУВАЊЕ! Прочитајте ги сите безбедносни упатства, инструкции, илустрации и спецификации за овој електричен алат. Недоследно почитување на подолу наведените упатства може да предизвика електричен удар, пожар и/или сериозни повреди.
Чувајте ги сите предупредувања и упатства за употреба.

⚠ БЕЗБЕДНОСНИ НАПОМЕНИ ЗА ДИЈАМАНТСКА БУШИЛИЦА

Безбедносни упатства за сите операции

Електричниот алат држете го за изолираните површини, кога вршите операција каде што приборот за сечење или затегнувачите може да дојдат во контакт со скриени жици или со сопствениот кабел. Ако приборот за сечење или затегнувачите дојдат во контакт со „жица под напон“ може да ги „направат спроводливи“ металните делови на електричниот алат и да предизвикаат струен удар на операторот.

Користете помошни рачки кои доаѓаат заедно со алатот. Губењето контрола може да предизвика повреда.

Пред почетокот на работата сфатите ја алатката цврсто за рачката. Оваа алатка произведува висок вртежен момент и ако не ја држите цврсто за време на работата, може да ја изгубите контролата и да се повредите.

Безбедносни инструкции при користење на долги вежби за бушење

Никогаш не ракувајте со поголема брзина од максималната брзина која е одредена за вежбата за бушење. При поголема брзина, вежбата може да се искриви кога се ротира без контакт со работното парче, што може да резултира со лична повреда.

Секогаш започнувајте со мала брзина и додека вежбата е во контакт со работното парче. При поголема брзина, вежбата може да се искриви кога се ротира без контакт со работното парче, што може да резултира со лична повреда.

Секогаш применувајте го притисокот во директна насока со вежбата за бушење и не притискајте

премногу напорно. Вежбите за бушење можат да се искриват и да се скршат или да резултираат со губење на контролата над алатката, што може да доведе до лична повреда.

ОСТАНАТИ БЕЗБЕДНОСНИ И РАБОТНИ УПАТСТВА

Вграденото фриксионо квалчило секогаш реагира на незгодно заглавување, поради што треба секогаш да ја користите дополнителната рачка.

Употребувајте заштитна опрема. При работа со машината постојано носете заштитни очила. Се препорачува заштитна облека како: маска за заштита од прашина, заштитни ракавици, цврсти чевли што не се лизгаат, кацига и заштита за уши.

Пршината која се создава при користење на овој алат може да биде штетна по здравјето. Не ја вдишувајте. Носете соодветна заштитна маска.

Не смеат да бидат обработувани материјали кои што можат да го загрозат здравјето (на пр. азбест).

Доколку употребуваното орудие се блокира, молиме веднаш да се исклучи апаратот! Не го вклучувајте апаратот повторно додека употребуваното орудие е блокирано; притоа би можело да дојде до повратен удар со висок момент на реакција. Испитајте и отстранете ја причината за блокирањето на употребеното орудие имајќи ги во предвид напомените за безбедност.

Можни причини би можеле да се:

- Заканување во парчето кое што се обработува
- Кршење поради продирање на материјалот кој што се обработува
- Преоптоварување на електричното орудие

Не фаќајте во машината кога работи.

Употребеното орудие за време на примената може да стане многу жешко.

ПРЕДУПРЕДУВАЊЕ! Опасност од изгоретини

- при менување на орудието
- при ставање на апаратот на страна

Прашината и струготините не смеат да се одстрануваат додека е машината работи.

Чувајте го кабелот за напојување подалеку од работната површина. Секогаш водете го кабелот позади вас.

Кога работите на сидови, таван или под внимавајте да ги избегнете електричните, гасните и водоводни инсталации.

Обезбедете го предметот кој што го обработувате со направа за напон. Необезбедени парчиња кои што се обработуваат можат да предизвикаат тешки повреди и оштетувања.

Секогаш кога преземате активности врз машината исклучете го кабелот од струјата.

Кога работите со големи дијаметри на бушотина, помошната рачка мора да биде врзана под вистински агол со главната рачка (видете илустрации, деп., Вртење на рачката.,).

СПЕЦИФИЦИРАНИ УСЛОВИ НА УПОТРЕБА

Дијамантската дупчалка може да биде користена за дупчење со дијамантски назабувања. Со монтиран продолжеток машината е погодна за перкусионо дупчење во карпи и дупчење дупки во дрво и челик. Машината не е погодна за влажно дупчење во бетон.

Не го користете овој производ на било кој друг начин освен пропишаниот за нормална употреба.

ЕК-ДЕКЛАРАЦИЈА ЗА СООБРАЗНОСТ

Како производител, изјавуваме под целосна одговорност дека „Техничките податоци“ подолу го опишуваат производот со сите релевантни одредби од регулативите 2011/65/EU (RoHS), 2014/30/EU, 2006/42/E3 и се усогласени со следниве хармонизирани регулаторни документи:

EN 62841-1:2015
EN 62841-2-1:2018+A11:2019
EN 55014-1:2017+A11:2020
EN 55014-2:2015
EN 61000-3-2:2014
EN 61000-3-3:2013
EN IEC 63000:2018

Winnenden, 2021-01-20



Alexander Krug
Managing Director



Ополномоштен за составување на техничката документација.

Techtronic Industries GmbH
Max-Eyth-Straße 10
71364 Winnenden
Germany

ГЛАВНИ ВРСКИ

Уредите кои се користат на многу различни локации вклучувајќи и отворен простор мора да бидат поврзани за струја преку направата за поврзување (FI, RCD, PRCD).

Да се спои само за една фаза AC коло и само на главниот напон наведен на плочката. Можно е исто така и поврзување на приклучок без заземјување доколку изведбата соодветствува на безбедност од 2 класа.

Бидете сигурни дека машината е исклучена пред да ја вклучите во струја.

ЗАШТИТА ОД ПОВТОРНО ПРИДВИЖУВАЊЕ

Нултиот прекинувач на напонот спречува повторно стартување на машината при дефект на напојувањето. При повторно стартување, исклучете ја машината, па потоа вклучете ја.

ЗАШТИТА НА МОТОРОТ ВО УСЛОВИ НА ПРЕОПТОВАРУВАЊЕ

Направата за заштита на моторот го контролира оптоварувањето на моторот. Машината полека ќе продолжи да работи за да го олади моторот. После доволното ладење на машината таа може повторно да се рестартира со копчето за вклучување.

МЕКО УДИРАЊЕ

Во зависност од материјалот кој треба да се обработува, мекото удирање може да резултира со значително намалување на времето на дупчење или подолг животен век на дијамантските делови.

ОДРЖУВАЊЕ

Вентилациските отвори на машината мора да бидат комплетно отворени постојано.

Доколку машината воглавном се користи за удирачко дупчење, редовно чистете ја насобраната прашина од продолжетокот. За да го направите тоа држете ја машината свртена со главата надолу вертикално и потполно отворете ја и затворете ја главата. Насобраната прашина ќе падне од неа.

Се препорачува редовно користење на клинер за стегите и затегачите.

Ако приклучниот мрежен вод е оштетен, тој мора да биде заменет од служба за клиенти, бидејќи за тоа е потребен посебен алат.

Користете само Milwaukee додатоци и резервни делови. Доколку некои од компонентите кои не се опишани треба да бидат заменети, Ве молиме контактирајте ги сервисните агенти на Milwaukee (консултирајте ја листата на адреси).

Доколку е потребно можно е да биде набавен детален приказ на алатот. Ве молиме наведете го бројот на артиклот како и типот на машина кој е отпечатен на етикетата и порачајте ја скицата кај локалниот застапник или директно кај: Techtronic Industries GmbH, Max-Eyth-Straße 10, 71364 Winnenden, Germany.

СИМБОЛИ



ВНИМАНИЕ! ПРЕДУПРЕДУВАЊЕ!
ОПАСНОСТ!



Секогаш кога преземате активности врз машината исклучете го кабелот од струјата.



Ве молиме пред да ја стартувате машината обрнете внимание на упатствата за употреба.








Дополнителна опрема - Не е вклучена во стандардната, а достапна е како додаток.



Не отстранувајте ја отпадната електрична и електронска опрема како несортиран комунален отпад. Отпадната електрична и електронска опрема мора да се собира посебно. Отпадните извори на светлина треба да се отстранат од опремата. Проверете кај вашиот локален орган или продавач за совети за рециклирање и место за собирање.

Во зависност од локалните регулативи, трговците на мало може да се обврзани бесплатно да ја преземаат отпадната електрична и електронска опрема. Вашиот придонес за повторна употреба и рециклирање на отпадната електрична и електронска опрема помага да се намали побарувачката на суровини. Отпадната електрична и електронска опрема содржи вредни материјали за рециклирање, кои може негативно да влијаат на животната средина и на здравјето на луѓето доколку не се отстранат на еколошки компатибилен начин. Избришете ги личните податоци од отпадната опрема, доколку ги има.

	Електрично орудие од заштитната категорија II. Електрично орудие чијашто заштита од електричен удар не зависи само од основната изолација туку и од тоа дали ќе се применат дополнителните заштитни мерки како што се двоструките изолации или појачаната изолација. Не постои никаква направа за приклучување на некој заштитен вод.
n_0	Брзина без оптоварување
V	Волти
	Наизменична струја
	Европска ознака за сообразност
	Британска ознака за сообразност
	Regulatory Compliance Mark (RCM). Производот ги исполнува важечките прописи.
	Украинска ознака за сообразност
	Евроазиска ознака за сообразност

ТЕХНІЧНІ ХАРАКТЕРИСТИКИ ДРИЛЬ АЛМАЗНОГО СВЕРДЛІННЯ DD2-160 XE (220-240V)

Номер виробу.....	3686 91 05... ...000001-999999
Номінальна споживана потужність.....	1500 W
Віддавана потужність.....	820 W
Кількість обертів холостого ходу 1 передача / 2 передача.....	0-1500 min ⁻¹
Кількість обертів холостого ходу 1 передача / 2 передача.....	0-3000 min ⁻¹
Кількість обертів під навантаженням макс. на 1-й передачі.....	890 min ⁻¹
Кількість обертів під навантаженням макс. на 2-й передачі.....	1770 min ⁻¹
Кількість ударів на холостому ході макс.	48000 min ⁻¹
Ø свердління на 1-й передачі.....	80-162 mm
Ø свердління на 2-й передачі.....	32-90 mm
Розточувальний шпіндель.....	M18
Шийка затиску, Ø.....	57 mm
Вага згідно з процедурою EPTA 01/2014.....	4,2 kg

Інформація про шум

Виміряні значення визначені згідно з EN 62841.

Рівень шуму "А" приладу становить в типовому випадку:

Рівень звукового тиску (похибка K = 3 дБ(А))..... 100 dB (A)

Рівень звукової потужності (похибка K = 3 дБ(А))..... 111 dB (A)

Використовувати засоби захисту органів слуху!

Інформація щодо вібрації

Сумарні значення вібрації (векторна сума трьох напрямків), встановлені згідно з EN 62841.

Значення вібрації a_w

Свердління в металі.....	2,3 m/s ²
похибка K =.....	1,5 m/s ²
Ударне свердління бетону.....	18,3 m/s ²
похибка K =.....	1,5 m/s ²
з алмазними свердильними коронками.....	14,8 m/s ²
похибка K =.....	1,5 m/s ²

ПОПЕРЕДЖЕННЯ

Заявлені значення шумового випромінювання, вказані в цьому інформаційному аркуші, було виміряно відповідно до стандартизованого випробування згідно з EN 62841 та можуть використовуватися для порівняння одного інструмента з іншим. Вони також можуть використовуватися для попередньої оцінки рівня впливу на організм.

Вказані значення вібрації та шумового випромінювання дійсні для основних областей застосування інструмента. Якщо інструмент використовується в інших областях застосування чи з іншим приладдям або не проходить належне обслуговування, значення вібрації та шумового випромінювання можуть відрізнятись. Це може суттєво збільшити рівень впливу на організм протягом загального періоду роботи.

Під час оцінки рівня впливу вібрації та шумового випромінювання на організм також необхідно враховувати періоди, коли інструмент вимкнено, чи коли він працює, але фактично не використовується для виконання роботи. Це може суттєво знизити рівень впливу на організм протягом загального періоду роботи.

Визначте додаткові заходи для захисту оператора від впливу вібрації та/або шуму, наприклад, обслуговування інструмента та його приладдя, зберігання рук у теплі, організація графіків роботи.

УВАГА! Ознайомитися з усіма попередженнями з безпечного використання, інструкціями, ілюстративним матеріалом та технічними характеристиками, які надаються з цим електричним інструментом. Недотримання всіх наведених нижче інструкцій може призвести до ураження електричним струмом, пожежі та/або важких травм.
Зберігати всі попередження та інструкції для використання в майбутньому.

ВКАЗІВКИ З ТЕХНІКИ БЕЗПЕКИ ДЛЯ ДРИЛЯ АЛМАЗНОГО СВЕРДЛІННЯ

Інструкції з техніки безпеки для всіх операцій

Тримайте ввімкнений інструмент лише за ізольовані поверхні для тримання, коли виконуєте операції, під час яких різальна частина або кріплення може сконтактувати з прихованою електропроводкою чи власним шнуром. Різальна частина або кріплення, що контактує з електропроводкою під напругою, можуть передати напругу на неізольовані металеві частини

електроінструменту та спричинити ураження оператора електричним струмом.

Користуйтеся додатковими рукоятками, що поставляються разом з пристроєм, якщо вони входять в комплект поставки. Втрата контролю може призвести до пошкоджень.

Перед початком роботи надійно утримуйте пристрій за допомогою передбаченої для цього ручки. Цей пристрій створює високий крутний момент на вихідному валу, тому якщо міцно не тримати його під час роботи, можна втратити над ним контроль і отримати пошкодження.

Правила техніки безпеки при використанні довгих свердел

Ніколи не застосовуйте більш високу швидкість, ніж максимальна швидкість, вказана для свердла. На більш високих швидкостях свердло може зігнути, якщо обертатиметься без контакту з оброблюваним виробом, що може призвести до пошкодження.

Завжди починайте роботу на низькій швидкості і коли свердло контактує з оброблюваним виробом.

На більш високих швидкостях свердло може зігнути, якщо обертатиметься без контакту з оброблюваним виробом, що може призвести до пошкодження.

Завжди застосовуйте тиск виключно вздовж осі свердла і не натискайте надто сильно. Свердла можуть зігнутися і ламатися або призводити до втрати контролю над пристроєм, що в свою чергу також може призвести до пошкодження.

ДОДАТКОВІ ІНСТРУКЦІ З ТЕХНІКИ БЕЗПЕКИ ТА ЕКСПЛУАТАЦІЇ

Вбудована фрикційна муфта спрацьовує тільки при різкому блокуванні, тому завжди користуйтеся додатковою рукояткою.

Використовуйте індивідуальні засоби захисту. Під час роботи з машиною завжди носити захисні окуляри. Радимо використовувати захисний одяг, як наприклад маску для захисту від пилу, захисні рукавиці, міцне та нековзне взуття, каску та засоби захисту органів слуху.

Пил, що утворюється під час роботи, часто буває шкідливим для здоров'я; він не повинен потрапляти в організм. Носити відповідну маску для захисту від пилу.

Не можна обробляти матеріали, небезпечні для здоров'я (наприклад, азбест).

При блокуванні вставного інструменту негайно вимкнути прилад! Не вмикайте прилад, якщо вставний інструмент заблокований; при цьому може виникати віддача з високим зворотнім моментом. Визначити та усунути причину блокування вставного інструменту з урахуванням вказівок з техніки безпеки.

Можливі причини:

- Перекіс в заготовці, що обробляється
- Пробивання оброблюваного матеріалу
- Перевантаження електроінструмента

Частини тіла не повинні потрапляти в машину, коли вона працює.

Вставний інструмент може нагріватися під час роботи.

ПОПЕРЕДЖЕННЯ! Небезпека опіків

- при заміні інструменту
- при відкладанні приладу

Не можна видаляти стружку або уламки, коли машина працює.

З'єднувальний кабель завжди тримати за межами радіуса дії машини. Вести кабель завжди позаду машини.

Під час роботи на стінах, стелях або підлозі звертати увагу на електричні кабелі, газові та водопровідні лінії.

Зафіксувати заготовку в затиску пристрої. Незакріплені заготовки можуть привести до тяжких травм та пошкоджень.

Перед будь-якими роботами на машині витягнути штекер із штепсельної розетки.

Для великого діаметру свердла необхідно закріпити додаткову рукоятку під прямим кутом до головної рукоятки (див. також в частині з зображеннями, розділ "Повернути рукоятку").

ВИКОРИСТАННЯ ЗА ПРИЗНАЧЕННЯМ

Дриль алмазного свердління можна використовувати для сухого свердління алмазними свердильними коронками. Із змонтованим свердильним патроном машина призначена для ударного свердління каменю та для свердління деревини та сталі. Машина не призначена для вологого свердління бетону.

Цей прилад можна використовувати тільки за призначенням так, як вказано в цьому документі.

ДЕКЛАРАЦІЯ ЄС ПРО ВІДПОВІДНІСТЬ

Як виробник, ми заявляємо на власну відповідальність, що виріб, описаний у "Технічних даних", відповідає всім застосованим положенням директив 2011/65/EU (RoHS), 2014/30/EU, 2006/42/EG, та наступним гармонізованим нормативним документам:

EN 62841-1:2015
EN 62841-2-1:2018+A11:2019
EN 55014-1:2017+A11:2020
EN 55014-2:2015
EN 61000-3-2:2014
EN 61000-3-3:2013
EN IEC 63000:2018

Winnenden, 2021-01-20



Alexander Krug
Managing Director



Уповноважений із складання технічної документації.

Techtronic Industries GmbH
Max-Eyth-Straße 10
71364 Winnenden
Germany

ПІДКЛЮЧЕННЯ ДО МЕРЕЖІ

Штепсельні розетки за межами приміщень та на вологих ділянках повинні бути оснащені автоматичним запобіжним вимикачем, який спрацьовує при появі струму витоку (FI, RCD, PRCD). Для цього необхідні монтажні інструкції для вашої електричної системи. Майте це на увазі при користуванні нашим приладом.

Підключати лише до однофазного змінного струму і напруги мережі, які вказані на фірмовій табличці з паспортними даними. Можливе підключення також до штепсельних розеток без захисного контакту, адже конструкція має клас захисту II.

Підключати пристрій до штепсельної розетки лише вимкнучи.

ЗАХИСТ ВІД ПОВТОРНОГО ЗАПУСКУ

Автоматичний вимикач при зниженні напруги запобігає повторному запуску машини після збою електроживлення. При відновленні роботи вимкнути та знов увімкнути машину.

ЗАХИСТ ДВИГУНА ЗАЛЕЖНО ВІД НАВАНТАЖЕННЯ

При сильному перевантаженні двигуна спрацьовує захист від перевантаження. Машина повільно працює далі для охолодження обмотки двигуна. Вмикати машину можна тільки після достатнього охолодження, для цього вимкнути її, потім знову увімкнути.

М'ЯКИЙ УДАР

Залежно від оброблюваного матеріалу "м'який" удар може забезпечити значне зменшення часу свердління або більшу тривалість експлуатації алмазних сегментів.

ВКАЗІВКИ ЩОДО ЕКСПЛУАТАЦІЇ

Щоб досягнути більшої швидкості свердління, зняти по досягненні глибини прибл. 10-15 мм центрувальне свердло, вставити свердильну коронку в канавку та повільно запустити машину.

Отвори, які не обов'язково виконувати точно у вказаній точці, можна виконувати без центрувального свердла. Для цього встановити свердильну коронку навскіс і повільно вирівняти машину, починаючи з глибини свердління прибл. 5 мм. (Можливо тільки з короткими свердильними коронками).

Якщо керні відламалися, витягнути свердильну коронку з матеріалу та видалити керні.

Заточена свердильна коронка полегшує використання і прискорює виконання робіт. Можливості заточення: В силікатній цеглі або в плиті для заточування

ОБСЛУГОВУВАННЯ

Завжди підтримувати чистоту вентиляційних отворів.

Якщо часто використовується режим ударного свердління, свердильний патрон необхідно регулярно чистити від пилу. Для цього тримати машину патроном вертикально донизу та повністю відкривати та закривати свердильний патрон. Так накопичений пил випадає з патрону.

Радимо регулярно використовувати спрей для чищення на затискних кулачках та отворах для затискних кулачків.

Якщо мережевий кабель живлення пошкоджений, то його повинна замінити сервісна служба, щоб уникнути небезпеки.

Використовувати комплектуючі та запчастини тільки від Milwaukee. Деталі, заміна яких не описується, замінювати тільки в відділі обслуговування клієнтів Milwaukee (зверніть увагу на брошуру "Гарантія / адреси сервісних центрів").

У разі необхідності можна запросити креслення з зображенням вузлів машини в перспективному вигляді, для цього потрібно звернутися в ваш відділ обслуговування клієнтів або безпосередньо в Techtronic Industries GmbH, Max-Eyth-Straße 10, 71364 Winnenden, Німеччина, та вказати тип машини та шестизначний номер на фірмовій табличці з даними машини.

СИМВОЛИ



УВАГА! ПОПЕРЕДЖЕННЯ! НЕБЕЗПЕЧНО!



Перед будь-якими роботами на машині витягнути штекер із штепсельної розетки.



Уважно прочитайте інструкцію з експлуатації перед введенням приладу в дію.



Комплектуючі - не входять в обсяг постачання, рекомендовані доповнення з програми комплектуючих.



Не утилізуйте відпрацьоване електричне та електронне обладнання разом з побутовими відходами. Відпрацьоване електричне та електронне обладнання необхідно збирати окремо. Відпрацьовані джерела світла повинні бути вилучені з обладнання. Зверніться до місцевих органів влади або роздрібного продавця за порадою щодо утилізації та пункту збору. Відповідно до місцевих постанов, роздрібні продавці можуть бути зобов'язані безкоштовно забирати назад відпрацьоване електричне та електронне обладнання. Ваш внесок до повторного вживання та переробки відпрацьованого електричного та електронного обладнання допомагає зменшити попит на сировину. Відпрацьоване електричне та електронне обладнання містить цінні матеріали, які можуть бути перероблені, та має негативний вплив на довкілля й здоров'я людей, якщо не буде утилізоване у безпечний для довкілля спосіб. Видаліть особисті дані з відпрацьованого обладнання, якщо такі є.



Електроінструмент класу захисту II. Електроінструмент, в якому захист від враження електричним струмом залежить не лише від базової ізоляції, але й від використовуваних додаткових засобів захисту, таких як подвійна ізоляція або посилена ізоляція. Немає пристроїв для підключення захисного з'єднання.

n_0

Кількість обертів холостого ходу

v

Напруга



Змінний струм



Європейський знак відповідності



Британський знак відповідності



Знак відповідності встановленим нормам (RCM). Продукт відповідає діючим нормам.



Український знак відповідності



Євразійський знак відповідності



تنبيه! تحذير! خطر!



افصل دائما القابس عن المقبس قبل تنفيذ أي عمل بالجهاز.



يرجى قراءة التعليمات بعناية قبل بدء تشغيل الجهاز.



الملحق - ليس مدرجًا كمعدة قياسية، متوفر كملحق.



يحظر التخلص من الأجهزة الكهربائية والإلكترونية القديمة سوياً مع القمامة المنزلية. يجب جمع الأجهزة الكهربائية والإلكترونية القديمة والتخلص منها بشكل منفصل. أنزع المصباح من الأجهزة قبل التخلص منها. الرجاء الاستفسار لدى الجهات الرسمية في المكان أو لدى التجار المتخصصين عن مواقع إعادة الاستغلال ومواقع الجمع. وفقاً للوائح المحلية، قد تطلب من تجار التجزئة استعادة المعدات الكهربائية والإلكترونية القديمة مجاناً. ساهم في الحد من الحاجة إلى المواد الخام عن طريق إعادة استخدام نفايات المعدات الكهربائية والإلكترونية الخاصة بك وإعادة تدويرها. تحتوي الأجهزة الكهربائية والإلكترونية القديمة على مواد قيمة وقابلة لإعادة التدوير يمكن أن يكون لها آثار سلبية على البيئة وصحتك في حالة عدم التخلص منها على نحو يتماشى مع البيئة. قبل التخلص قم بمحو البيانات الشخصية قدر الإمكان على جهازك القديم.



أداة كهربائية ذات درجة حماية 2 أداة كهربائية لا تتوقف الحماية فيها من الصعق الكهربائي ليس فقط على العزل الأساسي، بل أيضاً على إجراءات الحماية الإضافية، مثل العزل المزدوج أو العزل المقوى. ليس هناك تجهيزة لتوصيل تاريس وافي

n_0

أقصى سرعة دون وجود حمل

v

الجهد الكهربائي



التيار المتردد



علامة التوافق الأوروبية



علامة التوافق البريطانية



علامة الامتثال للوائح (RCM). المنتج مطابق لمتطلبات اللانحة.



علامة التوافق الأوكرانية



علامة التوافق الأوروبية الآسيوية

البيانات الفنية	DD2-160 XE (220-240V)
إنتاج عدد	3686 91 05... ...000001-9999999
الدخل المقدر	1500 W 820 W
الخرج	0-1500 min ⁻¹
السرعة في حالة عدم وجود حمل، الترس الأول	0-3000 min ⁻¹
السرعة في حالة عدم وجود حمل، الترس الثاني	890 min ⁻¹
السرعة في حالة وجود حمل، الترس الأول	1770 min ⁻¹
الحد الأقصى لمعدل الدق	48000 min ⁻¹
قدرة المثقاب، الترس الأول	80-162 mm
قدرة المثقاب، الترس الأول	32-90 mm
ساق التدوير	M18
قطر عمق الظرف	57 mm
الوزن وفقا لنهج EPTA رقم 01/2014	4,2 kg

معلومات الضوضاء

القيم التي تم قياسها محددة وفقا للمعايير الأوروبية EN 62841 مستويات ضوضاء الجهاز، ترجيح أ بشكل نموذجي كالتالي: مستوى ضغط الصوت (الارتياح في القياس = 3 ديسيبل (A)) مستوى شدة الصوت (الارتياح في القياس = 3 ديسيبل (A)).

(رتد وأقيات الأذن)

معلومات الاهتزاز

قيم الذبذبات الإجمالي (مجموع الكميات الموجية في المحاور الثلاثة) محددة وفقا للمعايير الأوروبية EN 62841.

قيمة انبعاث الذبذبات a_p

تعب المعادن	2,3 m/s ²
الارتياح في القياس	1,5 m/s ²
الحفر الدقاق في الخرسانة	18,3 m/s ²
الارتياح في القياس	1,5 m/s ²
الحفر الدقاق في الخرسانة باستخدام آلة القطع الأساسية مُعين الشكل للقطع الجاف	14,8 m/s ²
الارتياح في القياس	1,5 m/s ²

تحذير!

تم قياس مستوى الاهتزاز وانبعاث الضوضاء الوارد في ورقة المعلومات هذه، وفقاً لاختبار قياسي محدد في المواصفة EN 62841، ويمكن استخدامه لمقارنة آلة مع أخرى.. كما يمكن استخدام ذلك أيضاً في إجراء تقييم أولي للتعرض.

يمثل مستوى الاهتزاز وانبعاث الضوضاء المعان عنه الاستخدامات الأساسية للآلة. ومع ذلك، إذا استُعملت الآلة في استخدامات مختلفة، أو بملحقات مختلفة، أو تم صيانتها على نحو سببي، فقد يختلف مستوى الاهتزاز وانبعاث الضوضاء. وهذا قد يزيد -إلى حد كبير- من مستوى التعرض خلال مدة العمل الإجمالية.

عدم تقييم مستوى التعرض للاهتزاز والضوضاء، ينبغي أيضاً أن يوضع في الاعتبار فترات إطفاء الآلة أو تشغيلها دون أن تقوم بأي وظيفة فعليًا. فهذا قد يقلل -إلى حد كبير- من مستوى التعرض خلال مدة العمل الإجمالية.

تعرف على تدابير السلامة الإضافية؛ لحماية المشغل من تأثيرات الاهتزاز أو الضوضاء أو كليهما، مثل: صيانة الآلة وملحقاتها، والحفاظ على دفة اليدين، وتنظيم نماذج العمل.

⚠ تحذير إقرأ جميع تحذيرات الأمان والتعليمات والصور والمواصفات الواردة مع هذه المعدة الكهربائية.

المخالفة في اتباع التعليمات المذكورة أسفله قد يكون نتيجتها صدمة كهربائية، حريق و / أو إصابة بالغة. احتفظ بجميع التحذيرات والتعليمات للرُجوع إليها في المستقبل.

⚠ تحذيرات سلامة مثقاب ماسي

تعليمات السلامة لكل العمليات

لا تسمح بالإداة الكهربائية إلا من خلال الأسطح القابضة العازلة فقط، عند إجراء عملية يمكن لملحق القطع أو السحابات خلالها لمس الأسلاك المخفية أو سلكها الخاص. قد يجعل ملحق القطع أو السحابات التي تلامس سلكًا "مكهربيًا"، الأجزاء المعدنية المعرضة من الأداة الكهربائية "مكهربية" وقد تصيب العامل بصدمة كهربائية.

استخدم المقابض الإضافية، إذا كانت مرفقة مع الإداة. قد يسبب فقدان السيطرة حدوث إصابة شخصية.

امسك الجهاز بإحكام قبل بداية العمل من المقبض المخصص لذلك. يُنتج هذا الجهاز عزم دوران عالي، وإذا كنت لا تُمسك به جيدًا أثناء التشغيل، فإنك قد تفقد السيطرة عليه وتنتسب في إصابة نفسك.

الرجاء إيقاف تشغيل الجهاز على الفور في حالة عرقلة أداة الاستعمال! لا يتم بتشغيل الجهاز مرة أخرى، طالما أن الأداة المستعملة لازالت في حالة عرقلة؛ حيث يمكن أن يحدث هنا ارتداد عكسي مصحوب بقوة رد فعل عالية. قم بالبحث وإزالة أسباب عرقلة أداة الاستعمال مع مراعاة تعليمات الأمان.

من المحتمل أن تكون الأسباب هي:

- انحدر في القطعة المخصصة للاستعمال
- اختراق المواد المخصصة للاستعمال
- زيادة الحمل على الآلة الكهربائية

لا تلامس بيدك الماكينة أثناء دورانها.

الأداة المستخدمة قد تسخن خلال الاستخدام.

تحذير! هناك خطر الإصابة بحروق

- عند استبدال الإداة
- عند وضع الجهاز

لا يجب إزالة النشارة والشظايا أثناء تشغيل الآلة.

ابق السلك الرئيسي بعيدا عن نطاق عمل الجهاز. ابق دائما السلك بعيدا عنك أو خالك

عند العمل في سقف الحوائط أو الأرضية، توخ الحذر وتجنب الكابلات الكهربائية وأنابيب الغاز أو المياه.

قم بتأمين القطعة المستخدمة من المواد في تجهيزتها تثبيت.

القطع المستخدمة من المواد الغير مرمنة يمكن أن تسبب في إصابات وأضرار حادة.

افصل دائما القابس عن المقيس قبل تنفيذ أي عمل بالجهاز.

عند العمل بمثاقب أقطار ما كبيرة، يجب تثبيت المقبض الإضافي في الزاوية اليمنى مع المقبض الرئيسي (انظر الأشكال التوضيحية، قسم "لف المقبض").

شروط الاستخدام المحددة

يمكن استخدام المثقاب المُعين الشكل في حفر باستخدام لقم الحفر الجاف المُعيّنة الشكل. بتركيب طرف المثقاب، تكون الآلة مهيّنة لعمليات الحفر الدقاق في الصخور وحفر الثقوب في الأخشاب والمعادن. هذه الآلة غير ملائمة للحفر الرطب في الخرسانات.

لا تستخدم هذا المنتج بأي طريقة أخرى غير مصرح بها للاستخدام العادي.

إقرار المطابقة وفقاً للوائح الاتحاد الأوروبي

بموجب هذا نقر نحن كشركة منتجة على مسؤوليتنا المنفردة، أن المنتج الموصوف تحت "البيانات الفنية" يتطابق مع جميع التعليمات الهامة للمعايير

2011/65EU(RoHS), 2014/30/EU, 2006/42/EG

ومع مستندات التوافق المعياري التالية:

EN 62841-1:2015
EN 62841-2-1:2018+A11:2019
EN 55014-1:2017+A11:2020
EN 55014-2:2015
EN 61000-3-2:2014
EN 61000-3-3:2013
EN IEC 63000:2018

Winnenden, 2021-01-20


Alexander Krug
Managing Director
معمدة للمطابقة مع الملف الفني
Techtronic Industries GmbH
Max-Eyth-Straße 10
Winnenden 71364
Germany

توصيل الموصلات الرئيسية

يجب تزويد القوابس في الغرف الرطبة وفي الأماكن الخارجية بأزرار حماية ضد تيار العطل (FI, RCD, PRCD). هذا يتطلب تعليمات التركيب الخاصة بجهازك. الرجاء مراعاة ذلك عند استخدام جهازنا.

قم بالتوصيل بتيار متردد أحادي الطور ونظام الجهد الكهربائي المحدد على لوحة الجهد المقتن فقط. يمكن أيضا التوصيل بالمقابس غير المورضة حيث يتطابق التصميم مع معايير سلامة الفئة الثانية لحماية الأجهزة الكهربائية.

تأكد من إيقاف تشغيل الآلة قبل توصيلها بالمقابس الكهربائي.

انقطاع تيار إعادة التشغيل

يمنع المفتاح الذي ليس به جهد كهربائي الآلة من إعادة التشغيل بعد انقطاع الطاقة. عند استئناف العمل بالآلة، أوقف الآلة ثم أعد تشغيلها مجدداً.

وقاية المحرك في حالة الحمل الزائد

يتم التحكم في جهاز حماية المحرك بواسطة حمل المحرك. توصل الآلة الدوران ببطء لكي تعمل على تبريد المحرك. بعد التبريد لدرجة كافية يمكن إعادة تشغيل الجهاز عن طريق إيقافه وإعادة تشغيله مجدداً.

الحفر بالدق اللين

تبعاً لنوع المادة التي ستستخدم عليها الآلة، قد يؤدي الحفر بالدق اللين إلى توفير الكثير من وقت الحفر أو عمر أطول للاداة والقطع المعينة الشكل.

نصائح العمل

لتحقيق تقدم أفضل في الحفر، أخرج اللقمة الوسطي بعد الوصول لعقم 10-15مم. أدخل آلة القطع الأساسية في التجويف الحالي وشغل الماكينة بسلاسة.

يمكن حفر الثقوب الضيقة التي لا تستلزم مطابقة دقيقة دون استخدام اللقمة الوسطي. ولذلك، استخدم آلة القطع الأساسية بشكل مائل وضع الآلة في وضع مستقيم ببطء إلى أن يصل العمق إلى ما يقرب من 1 سم. (يكون ذلك ممكناً عند استخدام آلات القطع الأساسية القصيرة فقط)

إذا ما إنفك أجزاء المثقاب الأساسية، أخرج آلة القطع الأساسية من المادة وأزل الأجزاء الأساية بالمثقب.

للحصول على أفضل أداء، يجب "تخشين" القطع المعينة الشكل لإظهار أجزاء القرص معين الشكل: لتعريض أجزاء القطع المعينة الشكل المستوية للأحجار

الصيانة

يجب أن تكون فتحات تهوية الجهاز نظيفة طوال الوقت.

إذا كانت الآلة تستخدم بشكل أساسي في الحفر الدقاق، اعمل على إزالة الأتربة المتراكمة من الظرف دورياً. لإزالة الأتربة، امسك الآلة بحيث يكون الظرف موجهاً إلى الأسفل بشكل عمودي، ثم أفتح الظرف بشكل كامل واغلقه. سوف تسقط الأتربة المتراكمة من الظرف.

ينصح باستخدام المنظف دورياً لتنظيف فكوك التثبيت وخرطاطات فكوك التثبيت.

في حالة تلف كبل الطاقة في هذا الجهاز، يجب استبداله فقط بواسطة ورشة تصليح يحددها المصنّع لتجنب الوفاة التي تتسم بالمخاطرة.

استخدم فقط ملحقات ميلوكي وكذلك قطع غيار ميلوكي. إذا كانت المكونات التي يجب تغييرها غير مذكورة، يرجى الاتصال بأحد عملاء صيانة ميلوكي (انظر قائمة عناوين الضمان/الصيانة الخاصة بنا).

عند الحاجة يمكن طلب رمز انفجار الجهاز بعد ذكر طراز الآلة والرقم السداسي المذكور على بطاقة طاقة الآلة لدى جهة خدمة العملاء أو مباشرة لدى شركة

Techtronic Industries GmbH
Max-Eyth-Straße 10
71364 Winnenden

ألمانيا

Copyright 2022

Techtronic Industries GmbH
Max-Eyth-Str. 10
71364 Winnenden
Germany

+49 (0) 7195-12-0

www.milwaukeeetool.eu

Techtronic Industries (UK) Ltd
Parkway
Marlow, SL7 1YL
UK



**EAC UK
CA**

(03.22)

4931 4705 27