

Milwaukee®

Nothing but **HEAVY DUTY**®



M18 HKP

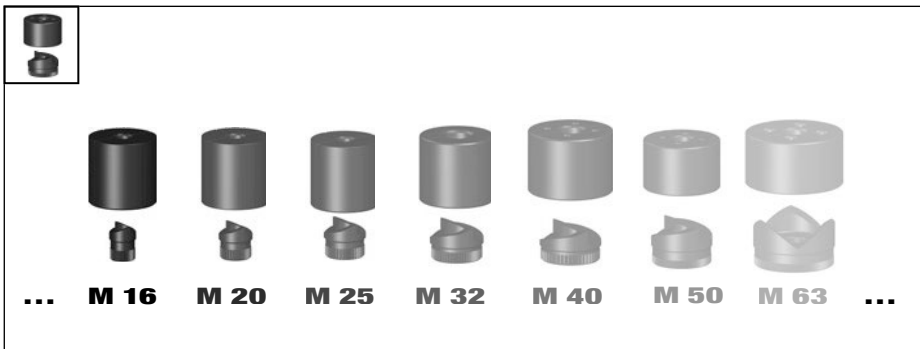
Original instructions
Originalbetriebsanleitung
Notice originale
Istruzioni originali
Manual original
Manual original
Oorspronkelijke
gebruiksaanwijzing
Original brugsanvisning
Original bruksanvisning
Bruksanvisning i original

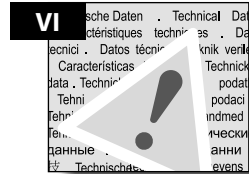
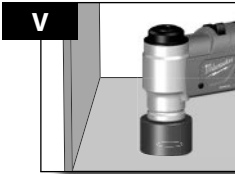
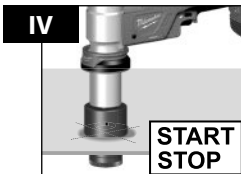
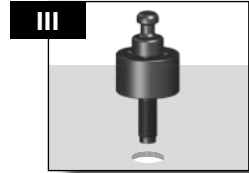
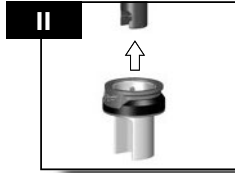
Alkuperäiset ohjeet
Πρωτότυπο οδηγίων χρήσης
Orijinal işletme talimatı
Původním návodem k používání
Pôvodný návod na použitie
Instrukcją oryginalną
Eredeti használati utasítás
Izvirna navodila
Originalne pogonske upute
Instrukcijām oriēnālvadā
Originali instrukcija

Algupärane kasutusjuhend
Оригинальное руководство
по эксплуатации
Оригинално ръководство за
експлоатация
Instrucțiuni de folosire originale
Оригинален прирачник за
работа
Оригінал інструкції з
експлуатації
التعليمات الأصلية

Technical Data, Safety Instructions, Specified Conditions of Use, Declaration of Conformity, Batteries, Maintenance, Symbols	Please read and save these instructions!	English	14
Technische Daten, Sicherheitshinweise, Bestimmungsgemäße Verwendung, CE-Konformitätserklärung, Akku, Wartung, Symbole	Bitte lesen und aufbewahren!	Deutsch	16
Caractéristiques techniques, Instructions de sécurité, Utilisation conforme aux prescriptions, Déclaration CE de Conformité, Accus, Entretien, Symboles	A lire et à conserver soigneusement	Français	18
Dati tecnici, Norme di sicurezza, Utilizzo conforme, Dichiarazione di Conformità CE, Batterie, Manutenzione, Simboli	Si prega di leggere e conservare le istruzioni!	Italiano	20
Datos técnicos, Instrucciones de seguridad, Aplicación de acuerdo a la finalidad, Declaración de Conformidad CE, Batería, Mantenimiento, Símbolos	Lea y conserve estas instrucciones por favor!	Español	22
Características técnicas, Instruções de segurança, Utilização autorizada, Declaração de Conformidade CE, Acumulador, Manutenção, Símbolo	Por favor leia e conserve em seu poder!	Português	24
Technische gegevens, Veiligheidsadviezen, Voorgeschreven gebruik van het systeem, EC-Konformiteitsverklaring, Akku, Onderhoud, Symbolen	Lees en let goed op deze adviezen!	Nederlands	26
Tekniske data, Sikkerhedshenvisninger, Tiltænkent formål, CE-Konformitetserklæring, Batteri, Vedligeholdelse, Symboler	Vær venlig at læse og opbevare!	Dansk	28
Tekniske data, Spesielle sikkerhedshenvisninger, Formålsmessig bruk, CE-Samsvarserklæring, Batterier, Vedlikehold, Symboler	Vennligst les og oppbevar!	Norsk	30
Tekniska data, Säkerhetsutrustning, Använd maskinen Enligt anvisningarna, CEFörsäkran, Batterier, Skötsel, Symboler	Läs igenom och spara!	Svenska	32
Tekniset arvot, Turvallisuusohejeet, Tarkoituksenmukainen käyttö, Todistus CE-standardinmukaisuudesta, Akku, Huolto, Symbolit	Lue ja säilytä!	Suomi	34
Τεχνικά στοιχεία, Ειδικές υποδείξεις ασφαλείας, Χρήση σύμφωνα με το σκοπό προοριζομένου, Δήλωση πιστότητας ΕΚ, Μηταρίες, Χαρακτηριστικά, Συντήρηση, Σύμβολα.	Παρακαλώ διαβάστε τις και φυλάξτε τις!	Ελληνικά	36
Teknik veriler, Güvenliğinizi için talimatlar, Kullanım, CE uyumluluk beyanice, Akü, Bakım, Semboller	Lütfen okuyun ve saklayın	Türkçe	39
Technická data, Speciální bezpečnostní upozornění, Oblast využití, Ce-prohlášení o shodě, Akumulátory, Údržba, Symboly	Po přečtení uschovejte	Česky	41
Technické údaje, Špeciálne bezpečnostné pokyny, Použitie podľa a predpisov, CE-Vyhľadanie konformity, Sieťová prípojka, Údržba, Symboly	Prosím prečítať a uschovať!	Slovensky	43
Dane techniczne, Specjalne zalecenia dotyczące bezpieczeñstwa, Użytkowanie zgodne z przeznaczeniem, Świadectwo zgodności ce, Podłączenie do sieci, Gwarancja, Symbole	Należy uważnie przeczytać i zachować do wglądu!	Polski	45
Műszaki adatok, Különleges biztonsági tudnivalók, Rendeltetésszerű használat, Ce-azonosítási nyilatkozat, Hálózati csatlakoztatás, Karbantartás, Szimbólumok	Olvassa el és őrizze meg	Magyar	48
Tehnični podatki, Specialni varnostni napotki, Uporaba v skladu z namembnostjo, Ce-izjava o konformnosti, Omrežni priključek, Vzdrževanje, Simboli	Prosim preberite in shranite!	Slovensko	50
Tehnički podaci, Specijalne sigurnosne upute, Propisna upotreba, CE-Izjava konformnosti, Priključak na mrežu, Održavanje, Simboli	Molimo pročitati i sačuvati	Hrvatski	52
Tehniskie dati, Speciālie drošības noteikumi, Noteikumiem atbilstošs izmantojums, Atbilstība CE normām, Tikla pieslēgums, Apkope, Simboli	Pielikums lietošanas pamācībai	Latviski	54
Techniniai duomenys, Ypatings saugumo nuorodos, Naudojimas pagal paskirti, CE Atitikties pareiškimas, Elektros tinklo jungtis, Techninis aptarnavimas, Simboliai	Prašome perskaityti ir neišmesti!	Lietuviškai	56
Tehnilised andmed, Spetsiaalsed turvajuhised, Kasutamine vastavalt otstarbele, EÜ Vastavusavaldus, Võrkü ühendamine, Hooldus, Sümbolid	Palun lugege läbi ja hoidke alati!	Eesti	58
Технические данные, Рекомендации по технике безопасности, Использо- вание, Подключение к электросети, Обслуживание, Символы	Пожалуйста прочтите и сохраните эту инструкцию.	Русский	60
Технически данни, Специални указания за безопасност, Използване по предназначение, CE-Декларация за съответствие, Съвързване към мрежата, Поддръжка, Символи	Моля прочетете и запазете!	Български	63
Date tehnice, Instrucțiuni de securitate, Condiții de utilizare specifice, Declarație de conformitate, Acumulatori, Intreținere, Simboluri	Va rugăm citiți și păstrați aceste instrucțiuni	Română	66
Технички Податоци, Упатство За Употреба, Специфицирани Услови На Употреба, Еу-декларација За Сообразност, БАТЕРИИ, Одржување, Символи	Ве молиме прочитајте го и чувајте го ова упатство!	Македонски	68
Технічні характеристики, Вказівки З Техніки Безпеки, Використання за призначенням, Сертифікат Відповідності Вимогам Єс, Акумуляторна, Обслуговування, Символи	Прочитайте та збережіть цю інструкцію!	Українська	71
تعليمات السلامة شروط الاستخدام المحددة، البطاريات، إعلان المطابقة - الاتحاد الأوروبي، الصيانة، الرموز	يُرجى قراءة وحفظ هذه التعليمات!	العربية	75

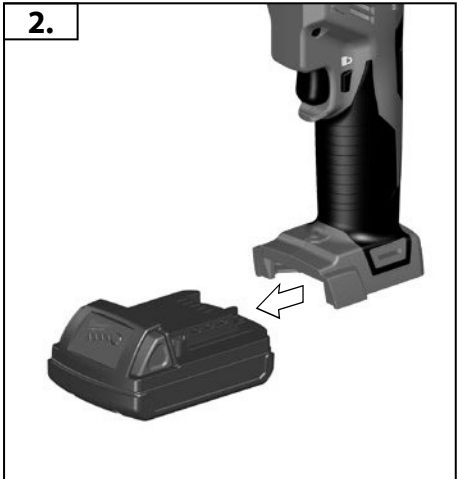
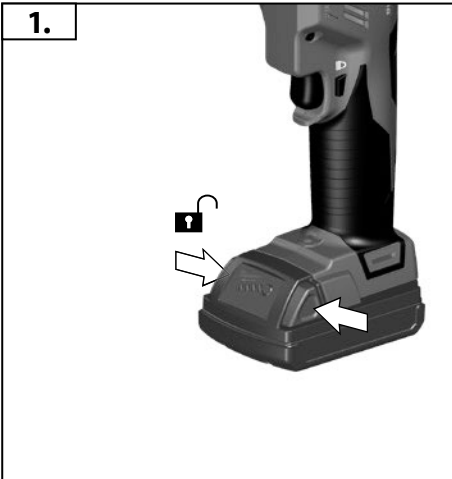
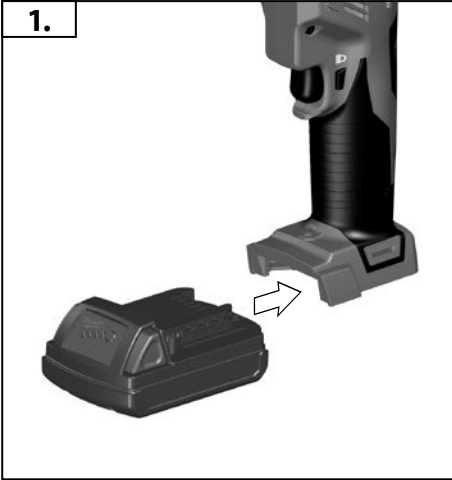






	<p>Accessory Zubehör Accessoires Accessorio</p>
<p>Accessorio • Acessório Toebehoren • Tilbehør Tilbehør • Tillbehør Lisálaite • Εξαρτήματα Akseuar • Priisluženstv Prisluženstv • Wyposażenie Azokat a tartozékokat Oprema • Piederumi Priedas • Tarvikud Дополнитель • Аксессуары Accessoriu • ополнительна опрема • Комплектуючі الملحق</p>	

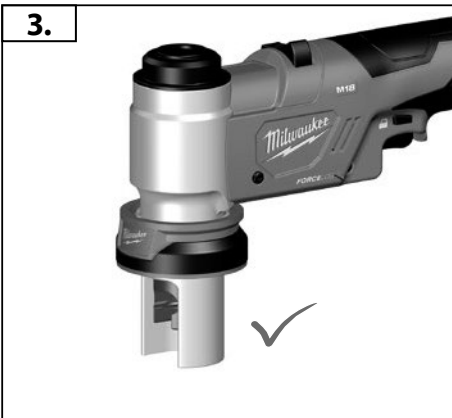
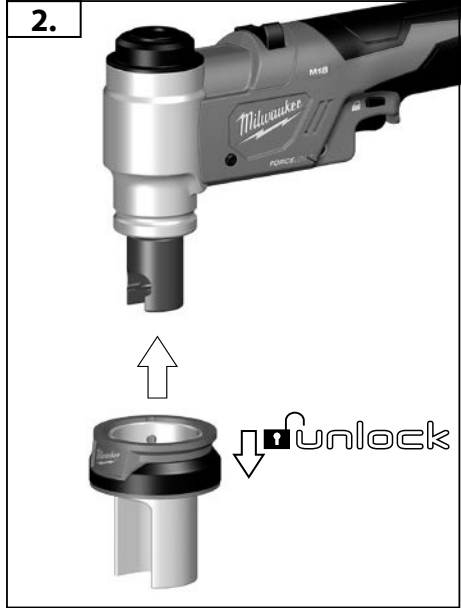
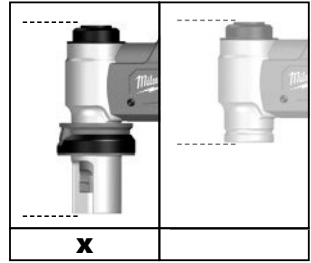
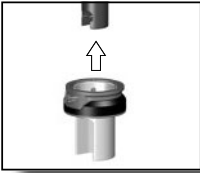


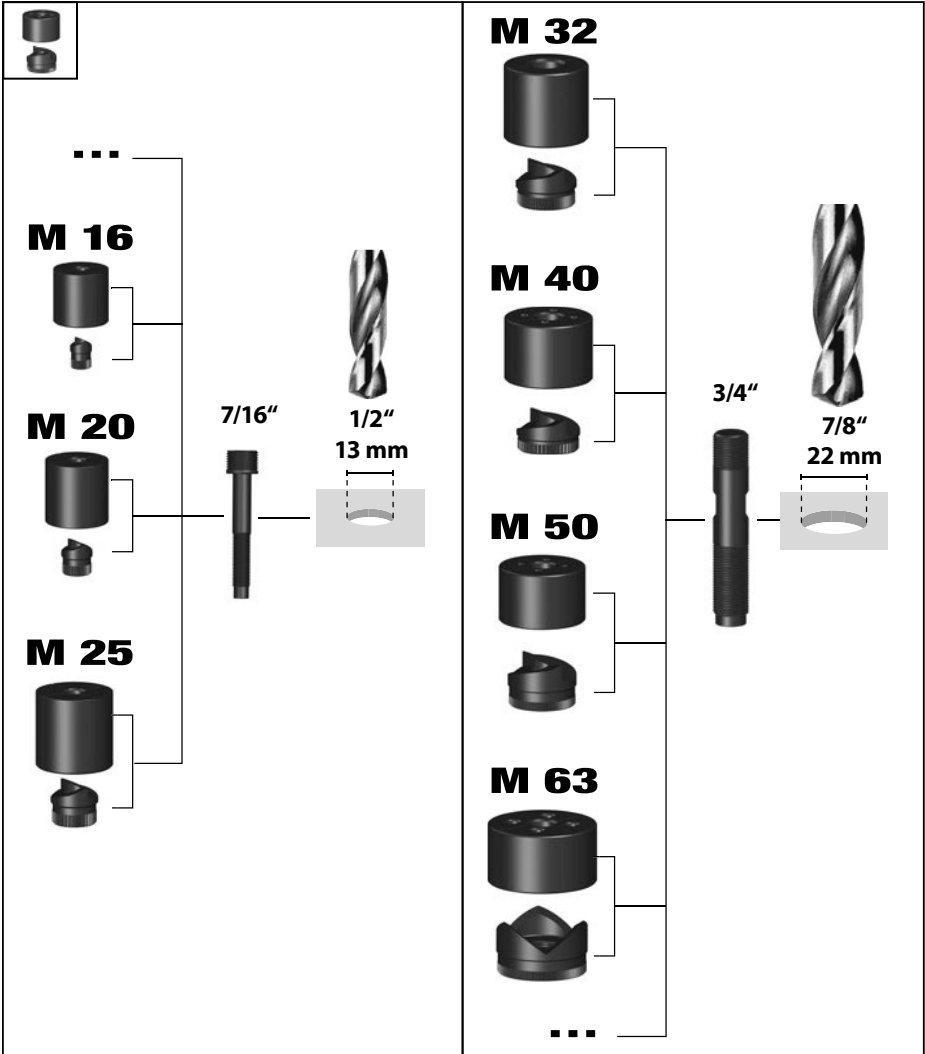
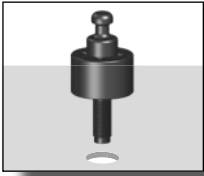


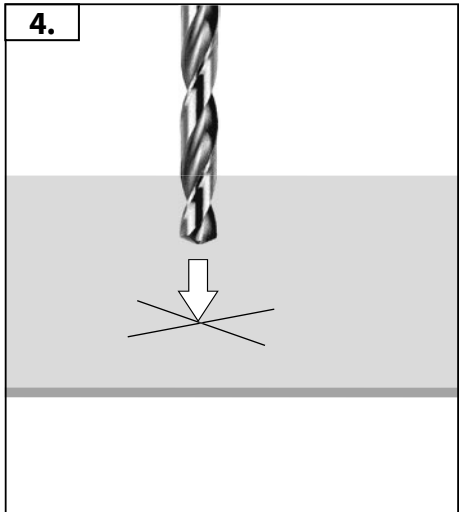
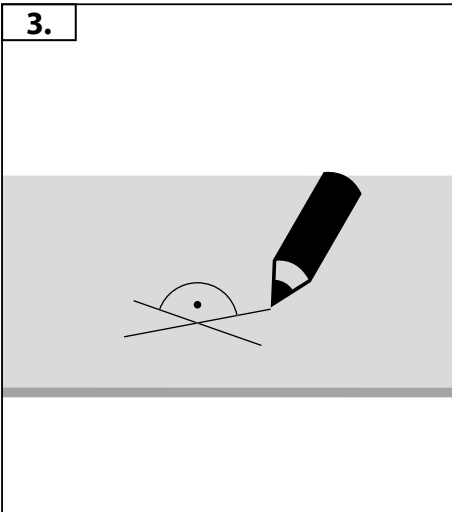
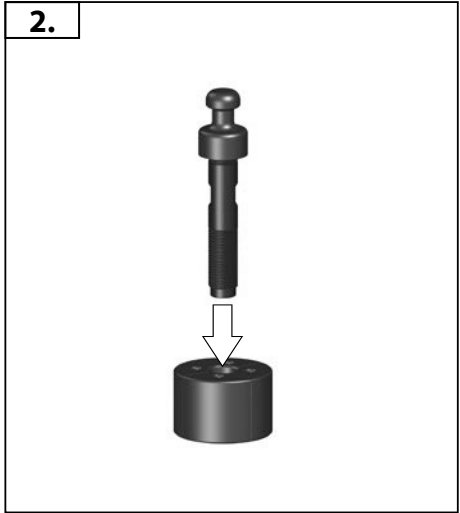
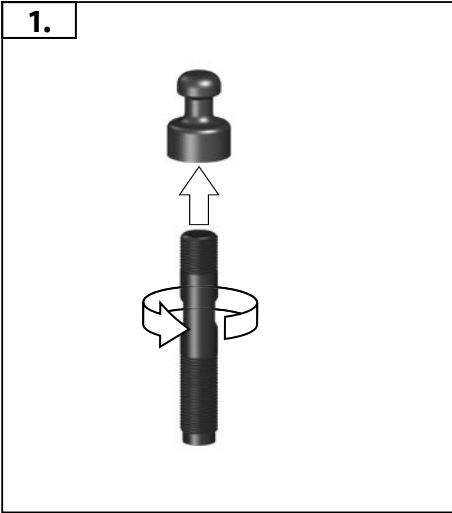
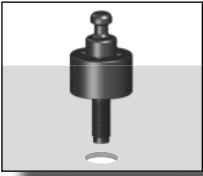


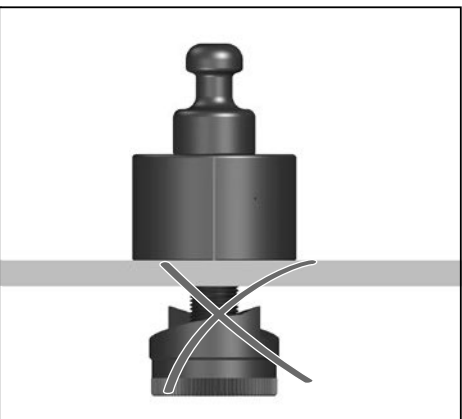
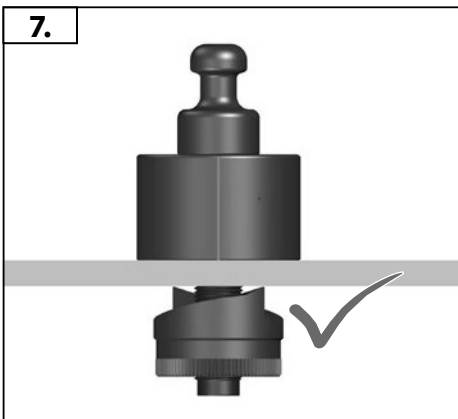
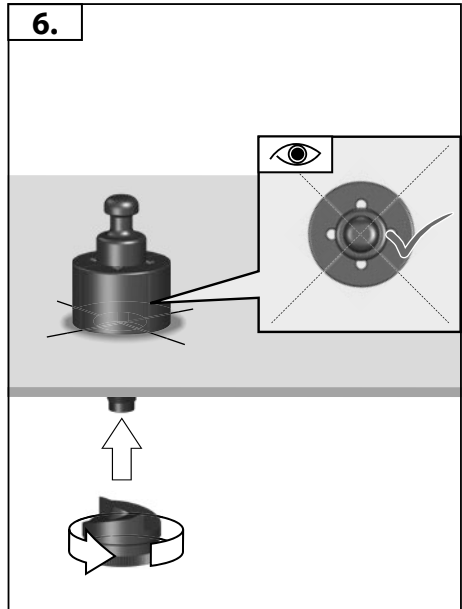
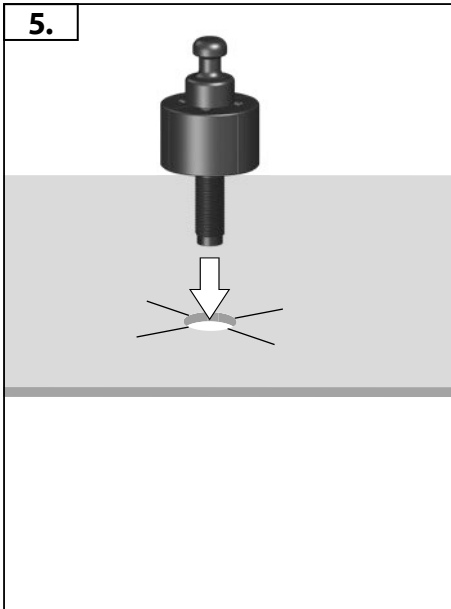
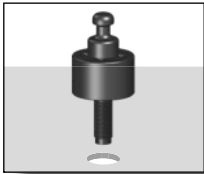
78-100 %		
55-77 %		
33-54 %		
10-32 %		
<10 %		

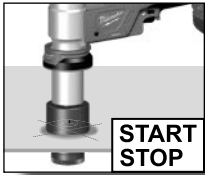




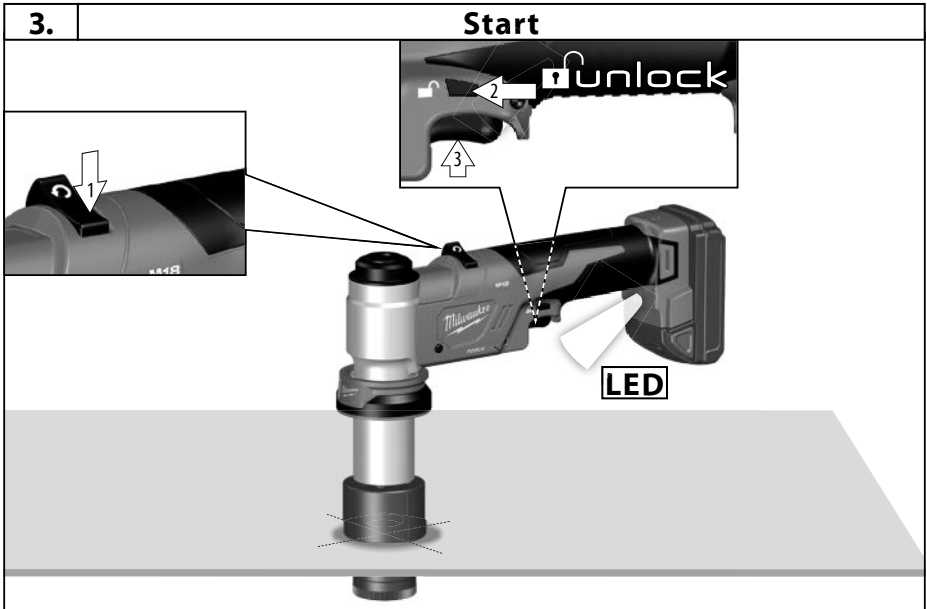
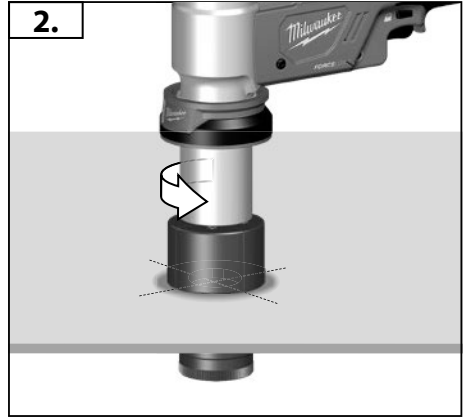
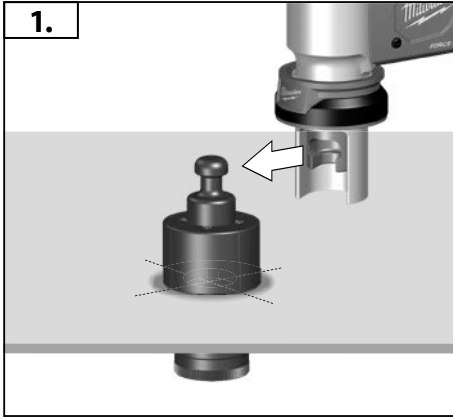


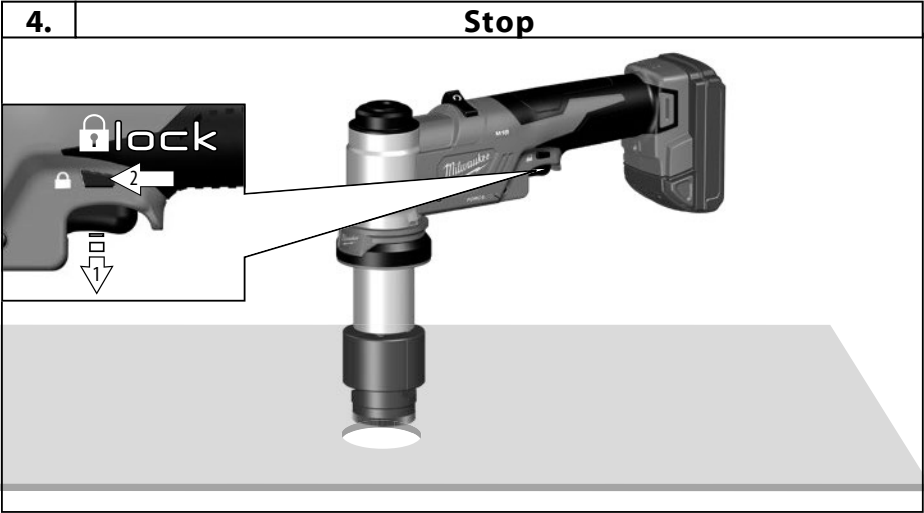
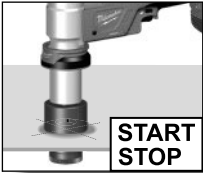




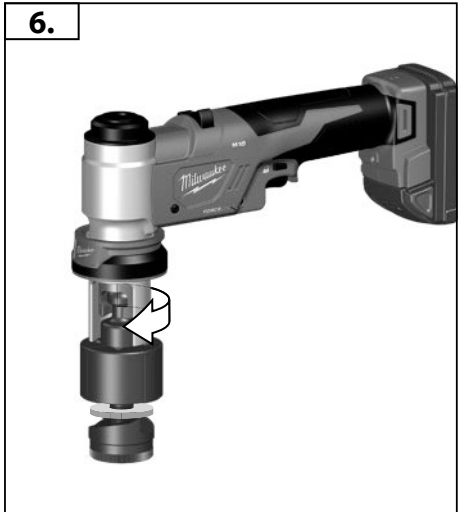
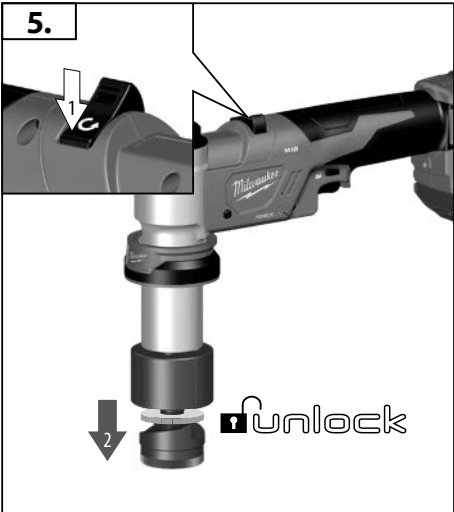


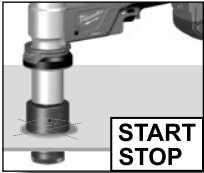
START
STOP



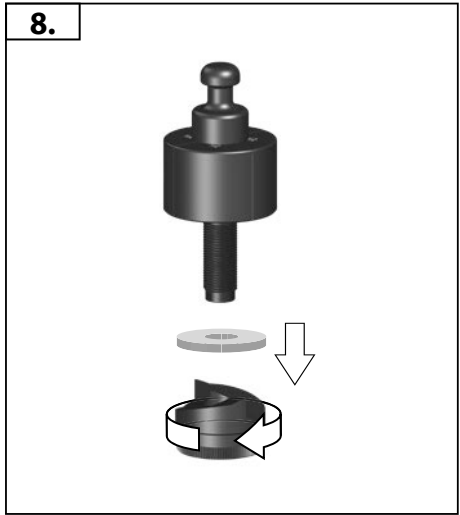
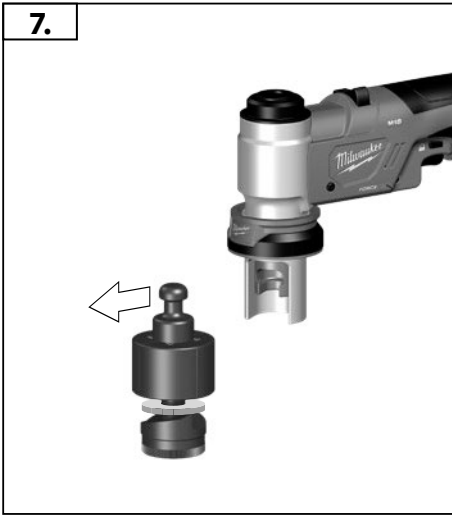


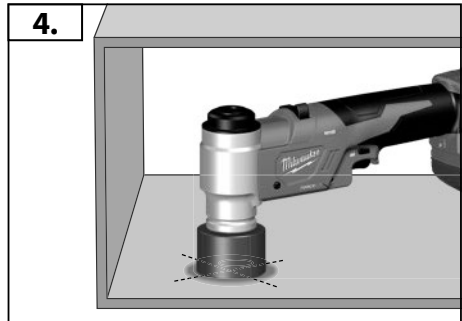
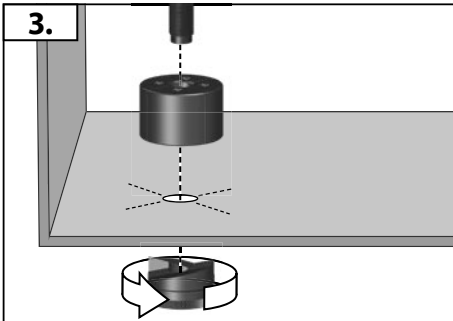
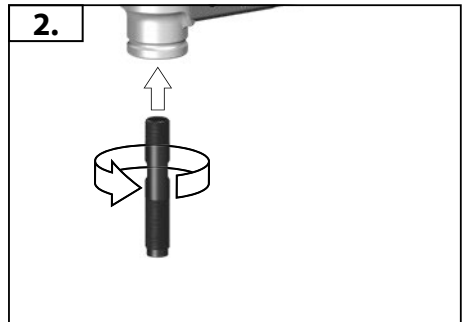
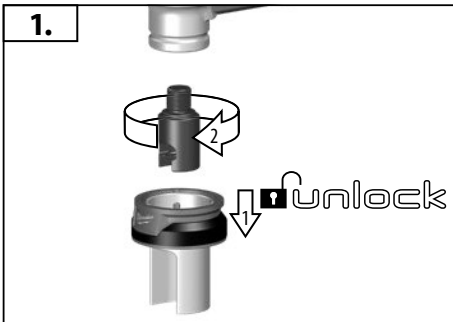
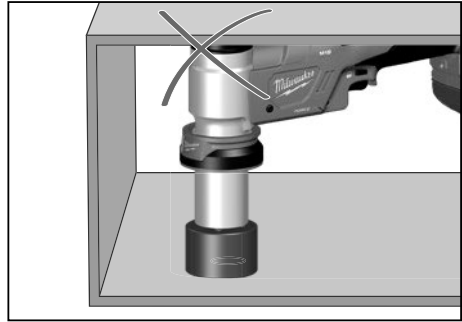
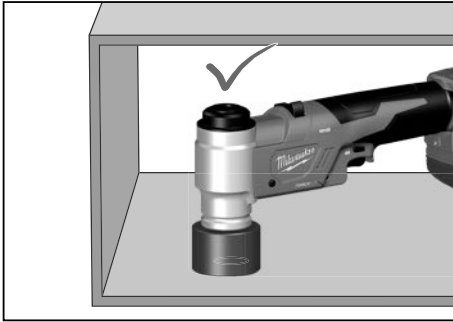
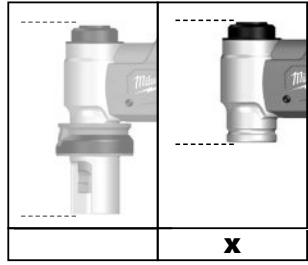
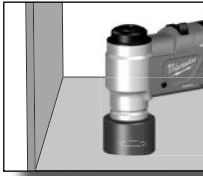
START
STOP

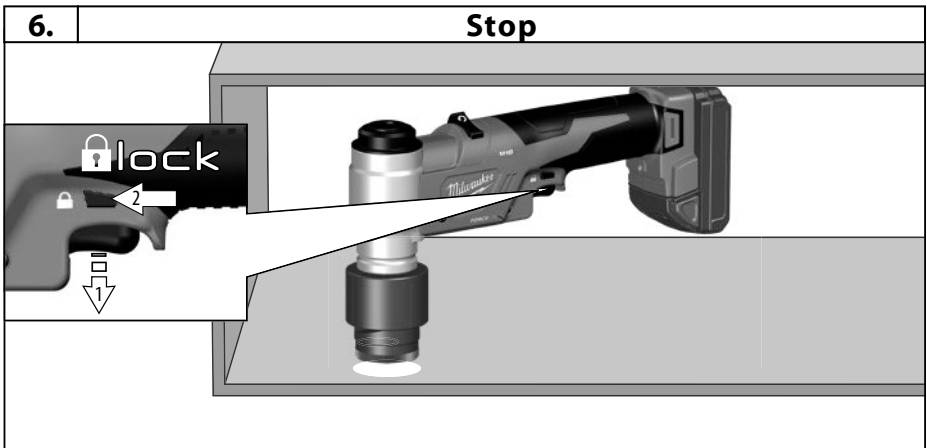
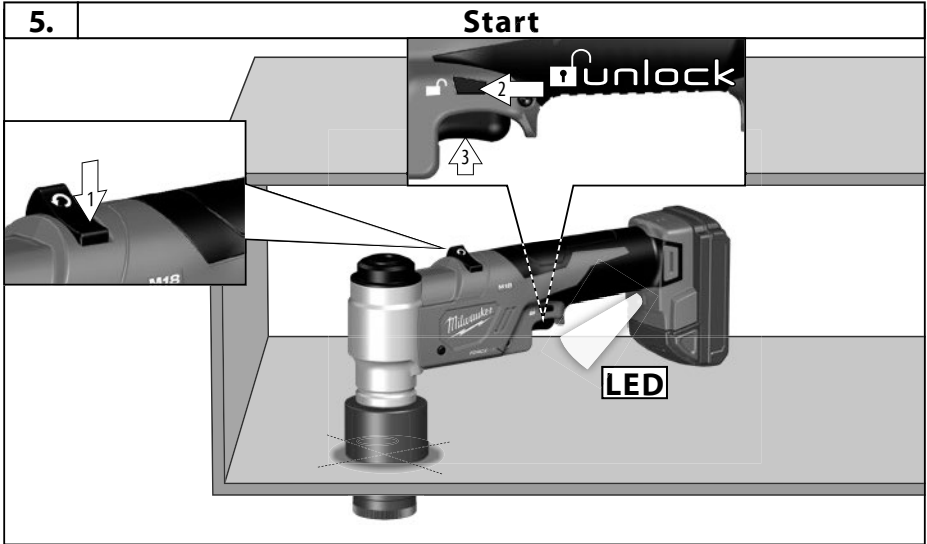
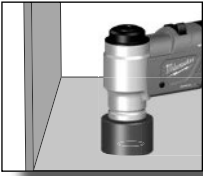


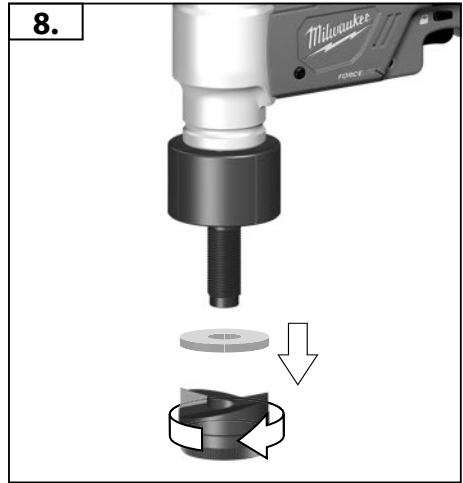
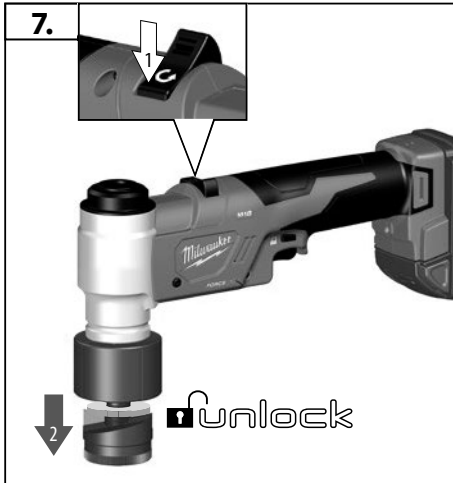
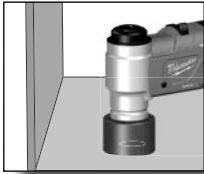


START
STOP
≡









TECHNICAL DATA Battery Knockout Tool	M18 HKP
Production code	4560 30 03... ... 000001-999999
Battery voltage	18 V
Nominal force	60 kN
Diameter max.	100 mm
Material thickness max. Steel Stainless steel	3,0 mm 2,5 mm
Weight according EPTA-Procedure 01/2003 (Li-Ion 2,0 Ah)	2,0 kg
Noise information	
Measured values determined according to EN 62841. Typically, the A-weighted noise levels of the tool are:	
Sound pressure level (Uncertainty K=3dB(A))	65,8 dB (A)
Sound power level (Uncertainty K=3dB(A)) Wear ear protectors!	76,8 dB (A)
Vibration information	
Vibration total values (triaxial vector sum) determined according to EN 62841	
Vibration emission value _{a_n} Uncertainty K=	1,28 m/s ² 1,5 m/s ²



WARNING!

The vibration emission level given in this information sheet has been measured in accordance with a standardised test given in EN 62841 and may be used to compare one tool with another. It may be used for a preliminary assessment of exposure.

The declared vibration emission level represents the main applications of the tool. However if the tool is used for different applications, with different accessories or poorly maintained, the vibration emission may differ. This may significantly increase the exposure level over the total working period.

An estimation of the level of exposure to vibration should also take into account the times when the tool is switched off or when it is running but not actually doing the job. This may significantly reduce the exposure level over the total working period.

Identify additional safety measures to protect the operator from the effects of vibration such as: maintain the tool and the accessories, keep the hands warm, organisation of work patterns.

⚠ WARNING Read all safety warnings, instructions, illustrations and specifications provided with this power tool. Failure to follow the warnings and instructions may result in electric shock, fire and/or serious injury.

Save all warnings and instructions for future reference.

⚠ KNOCKOUT TOOL SAFETY WARNINGS

Use protective equipment. Always wear goggles when using the machine. The use of protective clothing is recommended, such as dust mask, protective gloves, sturdy non-slip footwear, helmet and ear defenders.

Keep hands and loose items of clothing away from cutting tools and other moving parts.

Check the cutting tool for cracks or any other signs of wear before using. Only use cutting tools and cutting devices if they are in perfect technical condition.

Only operate the device with the cutting tool inserted into it.

Check whether the nominal width of the die corresponds to the nominal width of the punch.

Use tool only with knockout dies and punches rated for the peak output force of this tool. Any other use may cause injuries or damage to the tool.

Keep cutting tools sharp and clean. Properly maintained cutting tools with sharp cutting edges are less likely to get jammed and are easier to control.

Do not use in or near live electrical panels. Only work on de-energized electrical panels.

The device does not switch off automatically after reaching the end position. After the pressing process, release the ON switch and press the hydraulic release button.

In the event of problems during the crimping process, immediately release the ON switch and press the unlocking button on the hydraulic system. The valve will open and the piston will return to its initial position.

Have damage repaired immediately by an authorised workshop.

Compliance with the specified service work and service intervals is mandatory.

Remove the battery pack before starting any work on the appliance.

WARNING! To reduce the risk of fire, personal injury, and product damage due to a short circuit, never immerse your tool, battery pack or charger in fluid or al-low a fluid to flow inside them. Corrosive or conductive fluids, such as seawater, certain industrial chemicals, and bleach or bleach containing products, etc., Can cause a short circuit.

Use only System M18 chargers for charging System M18 battery packs. Do not use battery packs from other systems.

Never break open battery packs and chargers and store only in dry rooms. Keep dry at all times.

SPECIFIED CONDITIONS OF USE

The battery-operated electro-hydraulic knockout tool is intended only for the purpose of cutting steel and stainless steel with the dedicated dies and punches.

BATTERIES

Battery packs which have not been used for some time should be recharged before use. Temperatures in excess of 50°C (122°F) reduce the performance of the battery pack. Avoid extended exposure to heat or sunshine (risk of overheating).

The contacts of chargers and battery packs must be kept clean.

For an optimum life-time, the battery packs have to be fully charged, after use.

To obtain the longest possible battery life remove the battery pack from the charger once it is fully charged.

For battery pack storage longer than 30 days: Store the battery pack where the temperature is below 27°C and away from moisture. Store the battery packs in a 30% - 50% charged condition. Every six months of storage, charge the pack as normal.

Do not dispose of used battery packs in the household refuse or by burning them. Milwaukee Distributors offer to retrieve old batteries to protect our environment.

Do not store the battery pack together with metal objects (short circuit risk).

Battery acid may leak from damaged batteries under extreme load or extreme temperatures. In case of contact with battery acid wash it off immediately with soap and water. In case of eye contact rinse thoroughly for at least 10 minutes and immediately seek medical attention.

No metal parts must be allowed to enter the battery section of the charger (short circuit risk).

TRANSPORTING LITHIUM BATTERIES

Lithium-ion batteries are subject to the Dangerous Goods Legislation requirements.

Transportation of those batteries has to be done in accordance with local, national and international provisions and regulations.

The user can transport the batteries by road without further requirements. Commercial transport of Lithium-Ion batteries by third parties is subject to Dangerous Goods regulations. Transport preparation and transport are exclusively to be carried out by appropriately trained persons and the process has to be accompanied by corresponding experts.

When transporting batteries:

Ensure that battery contact terminals are protected and insulated to prevent short circuit. Ensure that battery pack is secured against movement within packaging. Do not transport batteries that are cracked or leak. Check with forwarding company for further advice

MAINTENANCE

The ventilation slots of the machine must be kept clear at all times. Service must be performed at least annually or after 5,000 cutting processes.

Replace worn cutting tools.

Service and repair work may only be carried out by authorised specialist workshops.

The device contains hydraulic fluid. Hydraulic fluids pose a hazard to groundwater. Uncontrolled draining or improper disposal is punishable by law.

Use only Milwaukee accessories and Milwaukee spare parts. Should components need to be replaced which have not been described, please contact one of our Milwaukee service agents (see our list of guarantee/service addresses).

If needed, an exploded view of the tool can be ordered. Please state the Article No. as well as the machine type printed on the label and order the drawing at your local service agents or directly at: Techtronic Industries GmbH, Max-Eyth-Straße 10, 71364 Winnenden, Germany.

EC-DECLARATION OF CONFORMITY

We declare under our sole responsibility that the product described under "Technical Data" fulfills all the relevant provisions of the directives

2011/65/EU (RoHS)

2006/42/EC

2014/30/EU

and the following harmonized standards have been used.

EN 62841-1:2015

EN 55014-1:2017+A11:2020

EN 55014-2:2015

EN IEC 63000:2018



Winnenden, 2020-11-26

Alexander Krug / Managing Director
Authorized to compile the technical file

Techtronic Industries GmbH
Max-Eyth-Straße 10, 71364 Winnenden, Germany

GB-DECLARATION OF CONFORMITY

We declare as the manufacturer under our sole responsibility that the product described under „Technical Data“ fulfills all the relevant provisions of the following Regulations
S.I. 2012/3032 (as amended), S.I. 2008/1597 (as amended),
S.I. 2016/1091 (as amended) and that the following designated standards have been used:

BS EN 62841-1:2015

BS EN 55014-1:2017+A11:2020

BS EN 55014-2:2015

BS EN IEC 63000:2018

Winnenden, 2020-11-26

Alexander Krug / Managing Director
Authorized to compile the technical file

Techtronic Industries GmbH
Max-Eyth-Straße 10, 71364 Winnenden, Germany

SYMBOLS



CAUTION! WARNING! DANGER!



Please read the instructions carefully before starting the machine.



Always wear goggles when using the machine.



Danger of electric shock



Keep hands away from cutting tools and other moving parts. Fingers may get caught in the cutting mechanism and be amputated or injured.



Remove the battery pack before starting any work on the appliance.



Accessory - Not included in standard equipment, available as an accessory.



Do not dispose of electric tools together with household waste material. Electric tools and electronic equipment that have reached the end of their life must be collected separately and returned to an environmentally compatible recycling facility. Check with your local authority or retailer for recycling advice and collection point.



European Conformity Mark



British Conformity Mark



Ukraine Conformity Mark



EurAsian Conformity Mark



TECHNISCHE DATEN Akku betriebene elektro-hydraulische Stanze	M18 HKP
Produktionsnummer	4560 30 03... ... 000001-999999
Spannung Wechselakku	18 V
Nennkraft	60 kN
Durchmesser max.	100 mm
Materialstärke max. Stahl Edelstahl	3,0 mm 2,5 mm
Gewicht nach EPTA-Prozedur 01/2003 (Li-Ion 2,0 Ah)	2,0 kg
Geräuschinformation	
Messwerte ermittelt entsprechend EN 62841. Der A-bewertete Geräuschpegel des Gerätes beträgt typischerweise:	
Schalldruckpegel (Unsicherheit K=3dB(A))	65,8 dB (A)
Schalleistungspegel (Unsicherheit K=3dB(A))	76,8 dB (A)
Gehörschutz tragen!	
Vibrationsinformationen	
Schwingungsgesamtwerte (Vektorsumme dreier Richtungen) ermittelt entsprechend EN 62841.	
Schwingungsemissionswert _h Unsicherheit K=	1,28 m/s ² 1,5 m/s ²



WARNUNG!

Der in diesen Anweisungen angegebene Schwingungspegel ist entsprechend einem in EN 62841 genormten Messverfahren gemessen worden und kann für den Vergleich von Elektrowerkzeugen miteinander verwendet werden. Er eignet sich auch für eine vorläufige Einschätzung der Schwingungsbelastung. Der angegebene Schwingungspegel repräsentiert die hauptsächlichsten Anwendungen des Elektrowerkzeugs. Wenn allerdings das Elektrowerkzeug für andere Anwendungen, mit abweichenden Einsatzwerkzeugen oder ungenügender Wartung eingesetzt wird, kann der Schwingungspegel abweichen. Dies kann die Schwingungsbelastung über den gesamten Arbeitszeitraum deutlich erhöhen.

Für eine genaue Abschätzung der Schwingungsbelastung sollten auch die Zeiten berücksichtigt werden, in denen das Gerät abgeschaltet ist oder zwar läuft, aber nicht tatsächlich im Einsatz ist. Dies kann die Schwingungsbelastung über den gesamten Arbeitszeitraum deutlich reduzieren.

Legen Sie zusätzliche Sicherheitsmaßnahmen zum Schutz des Bedieners vor der Wirkung von Schwingungen fest wie zum Beispiel: Wartung von Elektrowerkzeug und Einsatzwerkzeugen, Warmhalten der Hände, Organisation der Arbeitsabläufe.

⚠️ WARNUNG Lesen Sie alle Sicherheitshinweise, Anweisungen, Bilderungen und technischen Daten, mit denen dieses Elektrowerkzeug versehen ist. Versäumnisse bei der Einhaltung der Sicherheitshinweise und Anweisungen können elektrischen Schlag, Brand und/oder schwere Verletzungen verursachen. Bewahren Sie alle Sicherheitshinweise und Anweisungen für die Zukunft auf.

⚠️ SICHERHEITSHINWEISE FÜR STANZEN

Schutzausrüstung verwenden. Beim Arbeiten mit der Maschine stets Schutzbrille tragen. Schutzkleidung wie Staubschutzmaske, Schutzhandschuhe, festes und rutschsicheres Schuhwerk, Helm und Gehörschutz werden empfohlen.

Hände und lockere Kleidung von Schneidwerkzeugen und anderen beweglichen Teilen entfernt halten.

Vor jedem Gebrauch die Schneidwerkzeuge auf Risse und sonstige Verschleißerscheinungen prüfen. Schneidwerkzeuge und Schneidgeräte nur in technisch einwandfreiem Zustand verwenden.

Das Gerät darf nur mit eingesetztem Schneidwerkzeug verwendet werden.

Prüfen Sie, ob die Nennweite der Matrize mit der Nennweite des Stempels übereinstimmt.

Verwenden Sie das Werkzeug nur mit Stempeln und Matrizen die für die max. Nennkraft zugelassen sind. Andere können Verletzungen oder Beschädigungen hervorrufen.

Halten Sie Schneidwerkzeuge scharf und sauber. Richtig gepflegte Schneidwerkzeuge mit scharfen Schneidkanten verklemmen sich weniger und sind leichter zu kontrollieren.

Verwenden Sie nicht in oder in der Nähe von unter spannung stehenden Schaltkästen. Arbeiten Sie nur an spannungsfrei geschalteten Schaltkästen.

Das Gerät schaltet nach Erreichen der Endlage nicht automatisch ab. Wenn der Arbeitsvorgang abgeschlossen ist lassen Sie den Schalter los und betätigen den Entriegelungsschalter.

Lassen Sie bei Störungen während des Pressvorgangs sofort den EIN-Schalter los und drücken Sie den Entriegelungs-Knopf der Hydraulik. Das Ventil öffnet und der Kolben fährt in die Ausgangsposition zurück.

Beschädigungen sofort von einer autorisierten Fachwerkstatt reparieren lassen.

Wartung und Wartungsintervalle zwingend einhalten.

Vor allen Arbeiten am Gerät den Wechselakku herausnehmen.

WARNUNG! Um die durch einen Kurzschluss verursachte Gefahr eines Brandes, von Verletzungen oder Produktbeschädigungen zu vermeiden, tauchen Sie das Werkzeug, den Wechselakku oder das Ladegerät nicht in Flüssigkeiten ein und sorgen Sie dafür, dass keine Flüssigkeiten in die Geräte und Akkus eindringen. Korrodierende oder leitfähige Flüssigkeiten, wie Salzwasser, bestimmte Chemikalien und Bleichmittel oder Produkte, die Bleichmittel enthalten, können einen Kurzschluss verursachen.

Wechselakkus des Systems M18 nur mit Ladegeräten des Systems M18 laden. Keine Akkus aus anderen Systemen laden.

Wechselakkus und Ladegeräte nicht öffnen und nur in trockenen Räumen lagern. Vor Nässe schützen.

BESTIMMUNGSGEMÄSSE VERWENDUNG

Die Akku betriebene elektro-hydraulische Stanze darf ausschließlich zum Schneiden in Stahl und Edelstahl mit den dafür vorgesehenen Stempel und Matrizen verwendet werden.

AKKUS

Längere Zeit nicht benutzte Wechselakkus vor Gebrauch nachladen. Eine Temperatur über 50°C vermindert die Leistung des Wechselakkus. Längere Erwärmung durch Sonne oder Heizung vermeiden.

Die Anschlusskontakte an Ladegerät und Wechselakku sauber halten.

Für eine optimale Lebensdauer müssen nach dem Gebrauch die Akkus voll geladen werden.

Für eine möglichst lange Lebensdauer sollten die Akkus nach dem Aufladen aus dem Ladegerät entfernt werden.

Bei Lagerung des Akkus länger als 30 Tage: Akku bei ca. 27°C und trocken lagern. Akku bei ca. 30%-50% des Ladezustandes lagern. Akku alle 6 Monate erneut aufladen.

Verbrauchte Wechselakkus nicht ins Feuer oder in den Hausmüll werfen. Milwaukee bietet eine umweltgerechte Alt-Wechselakku-Entsorgung an; bitte fragen Sie Ihren Fachhändler.

Wechselakkus nicht zusammen mit Metallgegenständen aufbewahren (Kurzschlussgefahr).

Unter extremer Belastung oder extremer Temperatur kann aus beschädigten Wechselakkus Batterieflüssigkeit auslaufen. Bei Berührung mit Batterieflüssigkeit sofort mit Wasser und Seife abwaschen. Bei Augenkontakt sofort mindestens 10 Minuten gründlich spülen und unverzüglich einen Arzt aufsuchen.

In den Wechselakku-Einschubschacht der Ladegeräte dürfen keine Metallteile gelangen (Kurzschlussgefahr).

TRANSPORT VON LITHIUM-IONEN-AKKUS

Lithium-Ionen-Akkus fallen unter die gesetzlichen Bestimmungen zum Gefahrguttransport.

Der Transport dieser Akkus muss unter Einhaltung der lokalen, nationalen und internationalen Vorschriften und Bestimmungen erfolgen.

Verbraucher dürfen diese Akkus ohne Weiteres auf der Straße transportieren.

Der kommerzielle Transport von Lithium-Ionen-Akkus durch Speditionsunternehmen unterliegt den Bestimmungen des Gefahrguttransports. Die Versandvorbereitungen und der Transport dürfen ausschließlich von entsprechend geschulten Personen durchgeführt werden. Der gesamte Prozess muss fachmännisch begleitet werden.

Folgende Punkte sind beim Transport von Akkus zu beachten:

Stellen Sie sicher, dass die Kontakte geschützt und isoliert sind, um Kurzschlüsse zu vermeiden. Achten Sie darauf, dass der Akkupack innerhalb der Verpackung nicht verrutschen kann. Beschädigte oder auslaufende Akkus dürfen nicht transportiert werden. Wenden Sie sich für weitere Hinweise an Ihr Speditionsunternehmen.

WARTUNG

Stets die Lüftungsschlitze der Maschine sauber halten.

Die Wartung muss mindestens jährlich oder nach 5.000 Schneidvorgängen durchgeführt werden.

Abgenutzte Schneidwerkzeuge tauschen.

Wartungs- und Reparaturarbeiten dürfen nur durch autorisierte Fachwerkstätten ausgeführt werden.

Das Gerät enthält Hydrauliköl, welches eine Gefahr für das Grundwasser darstellt. Unkontrolliertes Ablassen oder unsachgemäße Entsorgung steht unter Strafe.

Nur Milwaukee Zubehör und Milwaukee Ersatzteile verwenden. Bauteile, deren Austausch nicht beschrieben wurde, bei einer Milwaukee Kundendienststelle auswechseln lassen (Broschüre Garantie/Kundendienstadressen beachten).

Bei Bedarf kann eine Explosionszeichnung des Gerätes unter Angabe der Maschinen Type und der sechsstelligen Nummer auf dem Leistungsschild bei Ihrer Kundendienststelle oder direkt bei Techtronic Industries GmbH, Max-Eyth-Straße 10, 71364 Winnenden, Germany angefordert werden.

CE-KONFORMITÄTSERKLÄRUNG

Wir erklären in alleiniger Verantwortung, dass das unter „Technische Daten“ beschriebene Produkt mit allen relevanten Vorschriften der Richtlinien

2011/65/EU (RoHS)

2006/42/EG

2014/30/EU

und den folgenden harmonisierten normativen Dokumenten übereinstimmt

EN 62841-1:2015

EN 55014-1:2017+A11:2020

EN 55014-2:2015

EN IEC 63000:2018



Winnenden, 2020-11-26

Alexander Krug / Managing Director

Bevollmächtigt die technischen Unterlagen zusammenzustellen.

Techtronic Industries GmbH

Max-Eyth-Straße 10, 71364 Winnenden, Germany

SYMBOLE



ACHTUNG! WARNUNG! GEFAHR!



Bitte lesen Sie die Gebrauchsanweisung vor Inbetriebnahme sorgfältig durch.



Beim Arbeiten mit der Maschine stets Schutzbrille tragen.



Gefahr eines elektrischen Schlags



Hände vom Schneidwerkzeug und anderen beweglichen Teilen entfernt halten. Finger können in den Schneidmechanismus geraten und abgetrennt oder verletzt werden.



Vor allen Arbeiten am Gerät den Wechselakku herausnehmen.



Zubehör - Im Lieferumfang nicht enthalten, empfohlene Ergänzung aus dem Zubehörprogramm.



Elektrogeräte dürfen nicht zusammen mit dem Hausmüll entsorgt werden. Elektrische und elektronische Geräte sind getrennt zu sammeln und zur umweltgerechten Entsorgung bei einem Verwertungsbetrieb abzugeben. Erkundigen Sie sich bei den örtlichen Behörden oder bei Ihrem Fachhändler nach Recyclinghöfen und Sammelstellen.



Europäisches Konformitätszeichen



Britisches Konformitätszeichen



Ukrainisches Konformitätszeichen



Euroasiatisches Konformitätszeichen



D

CARACTÉRISTIQUES TECHNIQUES Presse de découpage électro-hydraulique fonctionnant sur piles		M18 HKP
Numéro de série	4560 30 03... ... 000001-999999	
Tension accu interchangeable	18 V	
Force nominale	60 kN	
Diamètre max.	100 mm	
Épaisseur du matériau max.	Acier	3,0 mm
	Inox	2,5 mm
Poids suivant EPTA-Procédure 01/2003 (Li-Ion 2,0 Ah)	2,0 kg	
Informations sur le bruit		
Valeurs de mesure obtenues conformément à la EN 62841. Les mesures réelles (des niveaux acoustiques de l'appareil) sont :		
Niveau de pression acoustique (Incertitude K=3dB(A))	65,8 dB (A)	
Niveau d'intensité acoustique (Incertitude K=3dB(A))	76,8 dB (A)	
Toujours porter une protection acoustique!		
Informations sur les vibrations		
Valeurs totales des vibrations (somme vectorielle de trois sens) établies conformément à EN 62841.		
Valeur d'émission vibratoire _a , Incertitude K=	1,28 m/s ² 1,5 m/s ²	



AVERTISSEMENT!

Le niveau vibratoire indiqué dans ces instructions a été mesuré selon un procédé de mesure normalisé dans la norme EN 62841 et peut être utilisé pour comparer des outils électriques entre eux. Il convient aussi à une estimation provisoire de la sollicitation par les vibrations. Le niveau vibratoire indiqué représente les applications principales de l'outil électrique. Toutefois, si l'outil électrique est utilisé pour d'autres applications, avec des outils rapportés qui diffèrent ou une maintenance insuffisante, il se peut que le niveau vibratoire diverge. Cela peut augmenter nettement la sollicitation par les vibrations sur tout l'intervalle de temps du travail. Pour une estimation précise de la sollicitation par les vibrations, on devrait également tenir compte des temps pendant lesquels l'appareil n'est pas en marche ou tourne sans être réellement en service. Cela peut réduire nettement la sollicitation par les vibrations sur tout l'intervalle de temps du travail. Définissez des mesures de sécurité supplémentaires pour protéger l'utilisateur contre l'influence des vibrations, comme par exemple : la maintenance de l'outil électrique et des outils rapportés, le maintien au chaud des mains, l'organisation des déroulements de travail.

⚠ AVERTISSEMENT Lisez toutes les consignes de sécurité, instructions, présentations et données que vous recevez avec l'appareil. Le non-respect des avertissements et instructions indiqués ci après peut entraîner un choc électrique, un incendie et/ou de graves blessures sur les personnes.
Bien garder tous les avertissements et instructions.

⚠ CONSIGNES DE SÉCURITÉ POUR LES PRESSES DE DÉCOUPE

Utiliser l'équipement de protection. Toujours porter des lunettes protectrices en travaillant avec la machine. Il est recommandé de

porter des articles de protection, tels que masque antipoussière, gants de protection, chaussures tenant bien aux pieds et antidérapantes, casque et protection acoustique.

Tenir les mains et les vêtements amples à distance des outils de coupe et autres pièces mobiles.

Avant toute utilisation, vérifier que les outils de coupe ne présentent pas de fissures et d'autres signes d'usure. N'utiliser que des outils de coupe et appareils de coupe en parfait état technique.

L'appareil ne doit être utilisé qu'avec l'outil de coupe inséré.

Vérifiez si la largeur nominale de la matrice correspond à la largeur nominale du poinçon.

Utilisez l'outil uniquement avec des poinçons et matrices autorisés pour la force nominale max. D'autres éléments peuvent provoquer des blessures ou des détériorations.

Maintenez les outils de coupe tranchants et propres. Les outils de coupe bien entretenus avec des arêtes de coupe tranchantes se coincent moins et sont plus faciles à contrôler.

Ne pas utiliser dans ou à proximité d'armoires de commande sous tension. Travaillez uniquement sur des armoires de commande hors tension.

L'appareil ne s'éteint pas automatiquement une fois la position finale atteinte. Lorsque la procédure de travail est terminée, relâchez l'interrupteur et appuyez sur le commutateur de déverrouillage.

En cas de dérangements pendant l'opération de pressage, lâchez immédiatement l'interrupteur MARCHE et appuyez sur le bouton de déverrouillage de l'hydraulique. La vanne s'ouvrira et le piston rétablira sa position de partance.

Faire immédiatement réparer d'éventuels dommages chez une usine autorisée.

Il est impératif de respecter les instructions et les intervalles d'entretien.

Avant tous travaux sur l'appareil retirer l'accu interchangeable.

AVERTISSEMENT! Pour réduire le risque d'incendie, de blessures corporelles et de dommages cau-sés par un court-circuit, ne jamais immerger l'outil, le bloc-piles ou le chargeur dans un liquide ou laisser couler un fluide à l'intérieur de celui-ci. Les fluides corrosifs ou conducteurs, tels que l'eau de mer, certains produits chimiques industriels, les produits de blanchiment ou de blanchi-ment, etc., Peuvent provoquer un court-circuit.

Ne charger les accus interchangeables du système M18 qu'avec le chargeur d'accus du système M18. Ne pas charger des accus d'autres systèmes.

Ne pas ouvrir les accus interchangeables et les chargeurs et ne les stocker que dans des locaux secs. Les protéger contre l'humidité.

UTILISATION CONFORME AUX PRESCRIPTIONS

La presse de découpage électro-hydraulique fonctionnant sur piles ne doit être utilisée que pour la découpe d'acier et d'inox avec les poinçons et matrices prévus à cet effet.

ACCUS

Recharger les accus avant utilisation après une longue période de non utilisation. Une température supérieure à 50°C amoindrit la capacité des accus. Eviter les expositions prolongées au soleil ou au chauffage.

Tenir propres les contacts des accus et des chargeurs.

Pour une durée de vie optimale, les accus doivent être chargés à fond après l'utilisation.

Pour une plus longue durée de vie, enlever les batteries du chargeur de batterie quand celles-ci seront chargées.

En cas d'entreposage de la batterie pour plus de 30 jours: Entreposer la batterie à 27°C environ dans un endroit sec. Entreposer la batterie avec une charge d'environ 30% - 50%. Recharger la batterie tous les 6 mois.

Ne pas jeter les accus interchangeables usés au feu ou avec les déchets ménagers. Milwaukee offre un système d'évacuation écologique des accus usés.

Ne pas conserver les accus interchangeables avec des objets métalliques (risque de court-circuit)

En cas de conditions ou températures extrêmes, du liquide caustique peut s'échapper d'un accu interchangeable endommagé. En cas de contact avec le liquide caustique de la batterie, laver immédiatement avec de l'eau et du savon. En cas de contact avec les yeux, rincer soigneusement avec de l'eau et consulter immédiatement un médecin.

Aucune pièce métallique ne doit pénétrer dans le logement d'accu du chargeur (risque de court-circuit)

TRANSPORT DE BATTERIES LITHIUM-ION

Les batteries lithium-ion sont soumises aux dispositions législatives concernant le transport de produits dangereux.

Le transport de ces batteries devra s'effectuer dans le respect des dispositions et des normes locales, nationales et internationales.

Les utilisateurs peuvent transporter ces batteries sans restrictions.

Le transport commercial de batteries lithium-ion est réglé par les dispositions concernant le transport de produits dangereux. La préparation au transport et le transport devront être effectués uniquement par du personnel formé de façon adéquate. Tout le procédé devra être géré d'une manière professionnelle.

Durant le transport de batteries il faut respecter les consignes suivantes :

S'assurer que les contacts soient protégés et isolés en vue d'éviter des courts-circuits. S'assurer que le groupe de batteries ne puisse pas se déplacer à l'intérieur de son emballage. Des batteries endommagées ou des batteries perdant du liquide ne devront pas être transportées. Pour tout renseignement complémentaire veuillez vous adresser à votre transporteur professionnel.

ENTRETIEN

Tenir toujours propres les orifices de ventilation de la machine.

La maintenance doit être effectuée au moins une fois par an ou au bout de 5000 opérations de coupe.

Remplacer les outils de coupe usés.

Les interventions d'entretien et de réparation devront être effectués exclusivement par des usines spécialisées et autorisées.

L'appareil contient de l'huile hydraulique qui représente un danger pour les couches aquifères. La vidange incontrôlée ou la décharge non correcte sont punissables.

Utiliser uniquement les accessoires Milwaukee et les pièces détachées Milwaukee. Faire remplacer les composants dont le remplacement n'a pas été décrit, par un des centres de service après-vente Milwaukee (observer la brochure avec les adresses de garantie et de service après-vente).

Si besoin est, une vue éclatée de l'appareil peut être fournie. S'adresser, en indiquant bien le numéro porté sur la plaque signalétique, à votre station de service après-vente (voir liste jointe) ou directement à Techtronic Industries GmbH, Max-Eyth-Straße 10, 71364 Winnenden, Germany.

DÉCLARATION CE DE CONFORMITÉ

Nous déclarons, sous notre responsabilité exclusive, que le produit décrit ici dans les « Caractéristiques techniques » satisfait à toutes les dispositions pertinentes des directives

2011/65/UE (RoHS)

2006/42/CE

2014/30/UE

et que les normes harmonisées suivantes ont été appliquées.

EN 62841-1:2015

EN 55014-1:2017+A11:2020

EN 55014-2:2015

EN IEC 63000:2018



Winnenden, 2020-11-26

Alexander Krug / Managing Director

Autorisé à compiler la documentation technique.

Techtronic Industries GmbH

Max-Eyth-Straße 10, 71364 Winnenden, Germany

SYMBOLES



ATTENTION! AVERTISSEMENT! DANGER!



Veillez lire avec soin le mode d'emploi avant la mise en service



Toujours porter des lunettes protectrices en travaillant avec la machine.



Risque d'électrocution



Tenir les mains à distance de l'outil de coupe et autres pièces mobiles. Les doigts peuvent pénétrer dans le mécanisme de coupe et être sectionnés ou blessés.



Avant tous travaux sur l'appareil retirer l'accu interchangeable.



Accessoires - Ces pièces ne font pas partie de la livraison. Il s'agit là de compléments recommandés pour votre machine et énumérés dans le catalogue des accessoires.



Les dispositifs électriques ne sont pas à éliminer dans les déchets ménagers. Les dispositifs électriques et électroniques sont à collecter séparément et à remettre à un centre de recyclage en vue de leur élimination dans le respect de l'environnement. S'adresser aux autorités locales ou au détaillant spécialisé en vue de connaître l'emplacement des centres de recyclage et des points de collecte.



Marque de conformité européenne



Britisches Konformitätszeichen



Marque de conformité ukrainienne



Marque de conformité d'Eurasie



DATI TECNICI Punzonatrice elettroidraulica a batteria	M18 HKP
Numero di serie	4560 30 03... ... 000001-999999
Tensione batteria	18 V
Forza nominale	60 kN
Diametro max.	100 mm
Spessore materiale max. Acciaio Acciaio inossidabile	3,0 mm 2,5 mm
Peso secondo la procedura EPTA 01/2003 (Li-Ion 2,0 Ah)	2,0 kg
Informazioni sulla rumorosità Valori misurati conformemente alla norma EN 62841. La misurazione A del livello di pressione acustica dell'utensile è di solito di:	
Livello di rumorosità (Incertezza della misura K=3dB(A))	65,8 dB (A)
Potenza della rumorosità (Incertezza della misura K=3dB(A))	76,8 dB (A)
Utilizzare le protezioni per l'udito!	
Informazioni sulle vibrazioni Valori totali delle oscillazioni (somma di vettori in tre direzioni) misurati conformemente alla norma EN 62841	
Valore di emissione dell'oscillazione a_h	1,28 m/s ²
Incertezza della misura K=	1,5 m/s ²



AVVERTENZA!

Il livello di vibrazioni indicato nelle presenti istruzioni è stato misurato in conformità con un procedimento di misurazione codificato nella EN 62841 e può essere utilizzato per un confronto tra attrezzi elettrici. Inoltre si può anche utilizzare per una valutazione preliminare della sollecitazione da vibrazioni.

Il livello di vibrazioni indicato rappresenta le applicazioni principali dell'attrezzo elettrico. Se viceversa si utilizza l'attrezzo elettrico per altri scopi, con accessori differenti o con una manutenzione insufficiente, il livello di vibrazioni può risultare diverso. E questo può aumentare decisamente la sollecitazione da vibrazioni lungo l'intero periodo di lavorazione.

Ai fini di una valutazione precisa della sollecitazione da vibrazioni si dovrebbero tenere presente anche i periodi in cui l'apparecchio rimane spento oppure, anche se acceso, non viene effettivamente utilizzato. Ciò può ridurre notevolmente la sollecitazione da vibrazioni lungo l'intero periodo di lavorazione.

Stabilite misure di sicurezza supplementari per la tutela dell'operatore dall'effetto delle vibrazioni, come ad esempio: manutenzione dell'attrezzo elettrico e degli accessori, riscaldamento delle mani, organizzazione dei processi di lavoro.

⚠ AVVERTENZA Leggere tutte le avvertenze di sicurezza, le istruzioni, le illustrazioni e i dati forniti a corredo dell'apparecchio. In caso di mancato rispetto delle avvertenze di pericolo e delle istruzioni operative si potrà creare il pericolo di scosse elettriche, incendi e/o incidenti gravi.
Conservare tutte le avvertenze di pericolo e le istruzioni operative per ogni esigenza futura.

⚠ AVVERTENZE DI SICUREZZA PER PUNZONATRICI

Usare dispositivi di protezione. Durante l'uso dell'apparecchio utilizzare sempre gli occhiali di protezione. Si consiglia di indossare

indumenti di protezione come maschera antipolvere, guanti di protezione, scarpe antiscivolo robuste, casco e cuffie di protezione acustica.

Tenere le mani e abiti larghi lontano dagli utensili di taglio e da altre parti mobili.

Prima di ciascun uso, verificare l'assenza di incrinature e altri segni di usura sugli utensili da taglio. Utilizzare utensili e dispositivi da taglio solo in condizioni tecniche ineccepibili.

Utilizzare l'apparecchio solo con utensile da taglio inserito.

Verificare che la larghezza nominale della matrice coincida con quella del punzone.

Utilizzare l'utensile solo con punzoni e matrici omologati per la max forza nominale. Altrimenti, si possono provocare lesioni o danneggiamenti.

Mantenere affilati e puliti gli utensili da taglio. Curandoli correttamente e mantenendo il tagliente affilato, si incastrano di meno e si controllano più agevolmente.

Non utilizzare l'apparecchio all'interno o nelle vicinanze di quadri di distribuzione sotto tensione. Lavorare solo su quadri in assenza di tensione.

L'apparecchio non si arresta in automatico al raggiungimento della posizione di fine corsa. Quando l'operazione è conclusa, rilasciare l'interruttore di azionamento e azionare l'interruttore di sbloccaggio.

In caso di anomalie durante l'operazione di pressatura, rilasciare immediatamente l'interruttore di AZIONAMENTO e premere il pulsante di sblocco idraulico. La valvola si aprirà e lo stantuffo tornerà nella sua posizione di partenza.

Fare immediatamente riparare eventuali danni da un'officina autorizzata.

E' imperativo rispettare le istruzioni e gli intervalli di manutenzione.

Prima di iniziare togliere la batteria dal apparecchio.

AVVERTENZA! Per ridurre il rischio d'incendio, di lesioni o di danni al prodotto causati da corto circuito, non immergere mai l'utensile, la batteria ricaricabile o il carica batterie in un liquido e non lasciare mai penetrare alcun liquido all'interno dei dispositivi e delle batterie. I fluidi corrosivi o conduttori come acqua salata, alcuni agenti chimici, agenti candeggianti o prodotti contenenti agenti candeggianti potrebbero provocare un corto circuito.

Le batterie del System M18 sono ricaricabili esclusivamente con i caricatori del System M18. Le batterie di altri sistemi non possono essere ricaricate.

Non aprire né la batteria né il caricatore e conservarli solo in luogo asciutto. Proteggerli dalla umidità.

UTILIZZO CONFORME

La punzonatrice elettroidraulica a batteria deve essere utilizzata esclusivamente per tagliare acciaio e acciaio inossidabile con i punzoni e le matrici appositamente previsti.

BATTERIE

Batterie non utilizzate per molto tempo devono essere ricaricate prima dell'uso. A temperature superiori ai 50°C, la potenza della batteria si riduce.

Evitare di esporre l'accumulatore a surriscaldamento prolungato, dovuto ad esempio ai raggi del sole o ad un impianto di riscaldamento.

Per una ottimale vita utile è necessario ricaricare completamente le batterie dopo l'uso.

Per una più lunga durata, rimuovere le batterie dal caricabatterie quando saranno cariche.

In caso di immagazzinaggio della batteria per più di 30 giorni: Immagazzinare la batteria a circa 27°C in ambiente asciutto. Immagazzinare la batteria con carica di circa il 30% - 50%. Ricaricare la batteria ogni 6 mesi.

Non gettare le batterie esaurite sul fuoco o nella spazzatura di casa. La Milwaukee offre infatti un servizio di recupero batterie usate.

Nel vano d'innesto per la batteria del caricatore non devono entrare parti metalliche (pericolo di cortocircuito).

Nel caso di batterie danneggiate da un carico eccessivo o da temperature alte, l'acido di queste potrebbe fuoriuscire. In caso di contatto con l'acido delle batterie lavarsi immediatamente con acqua e sapone. In caso di contatto con gli occhi risciacquare immediatamente con acqua per almeno 10 minuti e contattare subito un medico.

Non conservare le batterie con oggetti metallici (pericolo di cortocircuito).

TRASPORTO DI BATTERIE AGLI IONI DI LITIO

Le batterie agli ioni di litio sono soggette alle disposizioni di legge sul trasporto di merce pericolosa.

Il trasporto di queste batterie deve avvenire rispettando le disposizioni e norme locali, nazionali ed internazionali.

Gli utilizzatori possono trasportare queste batterie su strada senza alcuna restrizione.

Il trasporto commerciale di batterie agli ioni di litio è regolato dalle disposizioni sul trasporto di merce pericolosa. Le preparazioni al trasporto ed il trasporto stesso devono essere svolti esclusivamente da persone idoneamente istruite. Tutto il processo deve essere gestito in maniera professionale.

Durante il trasporto di batterie occorre tenere conto di quanto segue:

Assicurarsi che i contatti siano protetti ed isolati per evitare corto circuiti. Accertarsi che il gruppo di batterie non possa spostarsi all'interno dell'imballaggio. Batterie danneggiate o batterie che perdono liquido non devono essere trasportate. Per ulteriori informazioni si prega di contattare il proprio trasportatore.

MANUTENZIONE

Tener sempre ben pulite le fessure di ventilazione dell'apparecchio. La manutenzione deve essere eseguita almeno una volta l'anno o dopo 5.000 operazioni di taglio.

Sostituire gli utensili da taglio usurati.

Gli interventi di manutenzione e di riparazione dovranno essere eseguiti esclusivamente da officine specializzate autorizzate.

L'apparecchio contiene olio idraulico che costituisce un pericolo per le falde acquifere. Lo scarico incontrollato o lo smaltimento non corretto sono punibili.

Usare solo accessori Milwaukee e pezzi di ricambio Milwaukee. Gruppi costruttivi la cui sostituzione non è stata descritta, devono essere fatti cambiare da un punto di servizio di assistenza tecnica al cliente Milwaukee (vedi depliant garanzia/indirizzi assistenza tecnica ai clienti).

In caso di mancanza del disegno esploso, può essere richiesto al seguente indirizzo: Techtronic Industries GmbH, Max-Eyth-Straße 10, 71364 Winnenden, Germany.

DICHIARAZIONE DI CONFORMITÀ CE

Assumendone la piena responsabilità, dichiariamo che il prodotto descritto nei "Dati tecnici" è conforme alle pertinenti disposizioni delle direttive

2011/65/UE (RoHS)

2006/42/CE

2014/30/UE

e che sono state applicate le seguenti norme armonizzate

EN 62841-1:2015

EN 55014-1:2017+A11:2020

EN 55014-2:2015

EN IEC 63000:2018



Winnenden, 2020-11-26

Alexander Krug / Managing Director

Autorizzato alla preparazione della documentazione tecnica

Techtronic Industries GmbH

Max-Eyth-Straße 10, 71364 Winnenden, Germany

SIMBOLI



ATTENZIONE! AVVERTENZA! PERICOLO!



Leggere attentamente le istruzioni per l'uso prima di mettere in funzione l'elettro utensile.



Durante l'uso dell'apparecchio utilizzare sempre gli occhiali di protezione.



Pericolo di scossa elettrica



Tenere le mani lontano dall'utensile da taglio e da altre parti mobili. Le dita potrebbero entrare nel meccanismo di taglio ed essere troncate o ferite.



Prima di iniziare togliere la batteria dalla apparecchiatura.



Accessorio - Non incluso nella dotazione standard, disponibile a parte come accessorio.



I dispositivi elettrici non devono essere smaltiti con i rifiuti domestici. I dispositivi elettrici ed elettronici devono essere raccolti separatamente e devono essere conferiti ad un centro di riciclaggio per lo smaltimento rispettoso dell'ambiente. Chiedere alle autorità locali o al rivenditore specializzato dove si trovano i centri di riciclaggio e i punti di raccolta.



Marchio di conformità europeo



Marchio di conformità britannico



Marchio di conformità ucraino



Marchio di conformità euroasiatico





DATOS TÉCNICOS	
Troqueladora electrohidráulica con batería	M18 HKP
Número de producción	4560 30 03... ... 000001-999999
Voltaje de batería	18 V
Fuerza nominal	60 kN
Diámetro máx.	100 mm
Espesor del material máx.	
Acero	3,0 mm
Acero inoxidable	2,5 mm
Peso de acuerdo con el procedimiento EPTA 01/2003 (Li-Ion 2,0 Ah)	2,0 kg
Información sobre ruidos	
Determinación de los valores de medición según norma EN 62841. El nivel de ruido típico del aparato determinado con un filtro A corresponde a:	
Presión acústica (Tolerancia K=3dB(A))	65,8 dB (A)
Resonancia acústica (Tolerancia K=3dB(A))	76,8 dB (A)
Usar protectores auditivos!	
Informaciones sobre vibraciones	
Nivel total de vibraciones (suma vectorial de tres direcciones) determinado según EN 62841.	
Valor de vibraciones generadas _h	1,28 m/s ²
Tolerancia K=	1,5 m/s ²

ADVERTENCIA!

El nivel vibratorio indicado en estas instrucciones ha sido medido conforme a un método de medición estandarizado en la norma EN 62841, y puede utilizarse para la comparación entre herramientas eléctricas. También es apropiado para una estimación provisional de la carga de vibración.

El nivel vibratorio indicado representa las aplicaciones principales de la herramienta eléctrica. Si, pese a ello, se utiliza la herramienta eléctrica para otras aplicaciones, con útiles adaptables diferentes o con un mantenimiento insuficiente, el nivel vibratorio puede diferir. Esto puede incrementar sensiblemente la carga de vibración durante todo el periodo de trabajo.

Para una estimación exacta de la carga de vibración deberían tenerse en cuenta también los tiempos durante los que el aparato está apagado o, pese a estar en funcionamiento, no está siendo realmente utilizado. Esto puede reducir sustancialmente la carga de vibración durante todo el periodo de trabajo.

Adopte medidas de seguridad adicionales para la protección del operador frente al efecto de las vibraciones, como por ejemplo: mantenimiento de la herramienta eléctrica y de los útiles adaptables, mantener las manos calientes, organización de los procesos de trabajo.

⚠ ADVERTENCIA Lea las indicaciones de seguridad, instrucciones, descripciones y datos que se incluyen en el aparato. En caso de no atenderse a las advertencias de peligro e instrucciones siguientes, ello puede ocasionar una descarga eléctrica, un incendio y/o lesión grave.
Guardar todas las advertencias de peligro e instrucciones para futuras consultas.

⚠ INDICACIONES DE SEGURIDAD PARA TROQUELADORAS

Utilice el equipamiento de protección. Para trabajar con la máquina, utilizar siempre gafas de protección. Se recomienda utilizar ropa de protección como máscara protectora contra el polvo, guantes protectores, calzado resistente y antideslizante, casco y protección para los oídos.

Mantenga las manos y prendas de ropa ligeras alejadas de las herramientas de corte y otras piezas móviles.

Antes de usar las herramientas de corte, compruebe que no haya grietas ni signos de desgaste. Emplee las herramientas y aparatos de corte solo si están en un perfecto estado técnico.

El aparato solo se puede emplear con la herramienta de corte insertada.

Compruebe que el diámetro nominal de las matrices coincida con el del troquel.

Emplee la herramienta solo con troqueles y matrices que estén homologadas para la fuerza nominal máxima. En caso contrario, se pueden producir daños o lesiones.

Mantenga las herramientas de corte afiladas y limpias. Las herramientas de corte bien cuidadas con aristas cortantes afiladas se atascan menos y son más fáciles de controlar.

No las emplee en cuadros eléctricos bajo tensión o en sus proximidades. Trabaje únicamente en cuadros eléctricos sin tensión.

El aparato no se desconecta automáticamente tras alcanzar la posición final. Un vez que el proceso operativo haya concluido, suelte el interruptor y pulse el interruptor de bloqueo.

En caso de fallos durante el proceso de prensado, suelte de inmediato el interruptor ON y pulse el botón de desbloqueo del sistema hidráulico. La válvula se abre y el émbolo se vuelve a desplazar a la posición inicial.

Los deterioros deben ser reparados inmediatamente por un taller especializado autorizado.

El mantenimiento y los intervalos de mantenimiento se deben observar obligatoriamente.

Retire la batería antes de comenzar cualquier trabajo el aparato.

ADVERTENCIA! Para reducir el riesgo de incendio, lesión personales y daños al producto debido a un cortocircuito, no sumerja nunca la herramienta, el pa-quete de baterías o el cargador en líquido ni permita que fluya un fluido dentro de ellos. Los fluidos corrosivos o conductivos, como el agua de mar, ciertos productos químicos industriales y blanqueadores o lejías que contienen, etc., Pueden causar un cortocircuito.

Recargar solamente los acumuladores del Sistema M18 en cargadores M18. No intentar recargar acumuladores de otros sistemas.

No abra nunca las baterías ni los cargadores y guárdelos sólo en lugares secos. Protéjalos de la humedad en todo momento.

APLICACIÓN DE ACUERDO A LA FINALIDAD

La troqueladora electrohidráulica con batería solo se puede emplear para cortar en acero y acero inoxidable con los troqueles correspondientes.

BATERIA

Las baterías no utilizadas durante cierto tiempo deben ser recargadas antes de usar. Las temperaturas superiores a 50°C reducen el rendimiento de la batería. Evite una exposición excesiva a fuentes de calor o al sol (riesgo de sobrecalentamiento).

Los puntos de contacto de los cargadores y las baterías se deben mantener limpios.

Para un tiempo óptimo de vida, deberán cargarse las baterías completamente después de su uso.

Para garantizar la máxima capacidad y vida útil, las baterías recargables se deberían retirar del cargador una vez finalizada la carga.

En caso de almacenar la batería recargable más de 30 días:

Almacenar la batería recargable en un lugar seco a una temperatura de aproximadamente 27°C. Almacenar la batería recargable con un estado de carga del 30% y 50% aproximadamente. Recargar la batería cada 6 meses.

No tire las baterías usadas a la basura ni al fuego. Los Distribuidores Milwaukee ofrecen un servicio de recogida de baterías antiguas para proteger el medio ambiente.

No almacene la batería con objetos metálicos (riesgo de cortocircuito).

En caso de sobrecarga o alta temperatura, pueden llegar a producirse escapes de ácido provenientes de la batería. En caso de contacto con éste, limpie inmediatamente la zona con agua y jabón. Si el contacto es en los ojos, límpiese concienzudamente con agua durante 10 minutos y acuda inmediatamente a un médico

No introduzca en la cavidad del cargador objetos metálicos (riesgo de cortocircuito).

TRANSPORTE DE BATERÍAS DE IONES DE LITIO

Las baterías de iones de litio caen bajo las disposiciones legales relativas al transporte de mercancías peligrosas.

El transporte de estas baterías recargables debe llevarse a cabo, observando las normas y disposiciones locales, nacionales e internacionales.

Los consumidores pueden transportar estas baterías recargables sin el menor reparo en la calle.

El transporte comercial de baterías recargables de iones de litio por empresas de transportes está sometido a las disposiciones del transporte de mercancías peligrosas. Las preparaciones para el envío y el transporte deben ser llevados a cabo exclusivamente por personas instruidas adecuadamente. El proceso completo debe ser supervisado por personal competente.

Los siguientes puntos se deben observar para el transporte de las baterías recargables:

Se debe asegurar que los contactos estén protegidos y aislados para evitar que se produzcan cortocircuitos. Preste atención a que el conjunto de baterías recargables no se pueda desplazar dentro del envase. Las baterías recargables deterioradas o derramadas no se deben transportar. Rogamos que para cualquier información adicional se dirija a su empresa de transportes.

MANTENIMIENTO

Las ranuras de ventilación de la máquina deben estar despejadas en todo momento.

El mantenimiento se debe realizar una vez al año o tras 5000 procesos de corte.

Reemplace las herramientas de corte desgastadas.

Los trabajos de mantenimiento y reparación deben ser realizados únicamente por talleres especializados autorizados.

El aparato contiene aceite hidráulico que supone un peligro para las aguas subterráneas. La evacuación incontrolada o eliminación inadecuada se penalizan legalmente.

Utilice solamente accesorios y repuestos Milwaukee. En caso de necesitar reemplazar componentes no descritos, contacte con cualquiera de nuestras estaciones de servicio Milwaukee (consultar lista de servicio técnicos)

En caso necesario, puede solicitar un despiece de la herramienta. Por favor indique el número de impreso que hay en la etiqueta

y pida el despiece a la siguiente dirección: Techtronic Industries GmbH, Max-Eyth-Straße 10, 71364 Winnenden, Germany.

DECLARACION DE CONFORMIDAD CE

Declaramos bajo nuestra única responsabilidad que el producto descrito bajo „Datos técnicos“ cumple todas las disposiciones pertinentes de las directivas

2011/65/UE (RoHS)

2006/42/CE

2014/30/UE

y que se han implementado y estándares

EN 62841-1:2015

EN 55014-1:2017+A11:2020

EN 55014-2:2015

EN IEC 63000:2018



Winnenden, 2020-11-26

Alexander Krug / Managing Director

Autorizado para la redacción de los documentos técnicos.

Techtronic Industries GmbH

Max-Eyth-Straße 10, 71364 Winnenden, Germany

SÍMBOLOS



¡ATENCIÓN! ¡ADVERTENCIA! ¡PELIGRO!



Lea las instrucciones detenidamente antes de conectar la herramienta



Para trabajar con la máquina, utilizar siempre gafas de protección.



Peligro de descarga eléctrica



Mantenga alejadas las manos de la herramienta de corte y de otras piezas móviles. Los dedos pueden entrar en contacto con el mecanismo de corte y quedar amputados o lesionados.



Retire la batería antes de comenzar cualquier trabajo el aparato.



Accesorio - No incluido en el equipo estándar, disponible en la gama de accesorios.



Los aparatos eléctricos no se deben eliminar junto con la basura doméstica. Los aparatos eléctricos y electrónicos se deben recoger por separado y se deben entregar a una empresa de reciclaje para una eliminación respetuosa con el medio ambiente. Infórmese en las autoridades locales o en su tienda especializada sobre los centros de reciclaje y puntos de recogida.



Marcado de conformidad europeo



Marcado de conformidad británico



Marcado de conformidad ucraniano



Marcado de conformidad euroasiático



E

Español

CARACTERÍSTICAS TÉCNICAS Prensa eletrohidráulica de funcionamento a bateria	M18 HKP
Número de produção	4560 30 03... ... 000001-999999
Tensão do acumulador	18 V
Força nominal	60 kN
Diâmetro no máx.	100 mm
Resistência do material no máx. Aço Aço inoxidável	3,0 mm 2,5 mm
Peso nos termos do procedimento-EPTA 01/2003 (Li-Ion 2,0 Ah)	2,0 kg
Informações sobre ruído Valores de medida de acordo com EN 62841. O nível de ruído avaliado A do aparelho é tipicamente:	
Nível da pressão de ruído (Incertez K=3dB(A))	65,8 dB (A)
Nível da potência de ruído (Incertez K=3dB(A))	76,8 dB (A)
Use protectores auriculares!	
Informações sobre vibração Valores totais de vibração (soma dos vectores das três direcções) determinadas conforme EN 62841.	
Valor de emissão de vibração _h Incerteza K=	1,28 m/s ² 1,5 m/s ²



ATENÇÃO!

O nível vibratório indicado nestas instruções foi medido em conformidade com um procedimento de medição normalizado na EN 62841 e pode ser utilizado para comparar entre si ferramentas eléctricas. O mesmo é também adequado para avaliar provisoriamente o esforço vibratório.

O nível vibratório indicado representa as principais aplicações da ferramenta eléctrica. Se, no entanto, a ferramenta eléctrica for utilizada para outras aplicações, com outras ferramentas adaptadas ou uma manutenção insuficiente, o nível vibratório poderá divergir. Isto pode aumentar consideravelmente o esforço vibratório ao longo de todo o período do trabalho.

Para uma avaliação exacta do esforço vibratório devem também ser considerados os tempos durante os quais o aparelho está desligado ou está a funcionar, mas não está efectivamente a ser utilizado. Isto pode reduzir consideravelmente o esforço vibratório ao longo de todo o período do trabalho.

Defina medidas de segurança suplementares para proteger o operador do efeito das vibrações, como por exemplo: manutenção da ferramenta eléctrica e das ferramentas adaptadas, manter as mãos quentes, organização das sequências de trabalho.



ATENÇÃO Ler todas as indicações de segurança, instruções, representações e dados fornecidos juntamente com o aparelho. O desrespeito das advertências e instruções apresentadas abaixo pode causar choque eléctrico, incêndio e/ou graves lesões.

Guarde bem todas as advertências e instruções para futura referência.

INDICAÇÕES DE SEGURANÇA PARA PRENSAS

Utilizar equipamento de protecção. Usar sempre óculos de protecção ao trabalhar com a máquina. Vestuário de protecção, bem como máscara de pó, sapatos fechados e antiderrapante, capacete e protecção auditiva são recomendados.

Manter as mãos e vestuário solto afastados de ferramentas de corte e de outras peças móveis.

Verificar as ferramentas de corte quanto a fissuras e outros sinais de desgaste antes de cada utilização. Utilizar ferramentas e aparelhos de corte apenas num estado técnico perfeito.

O aparelho apenas pode ser utilizado com uma ferramenta de corte colocada.

Verificar se a largura nominal da matriz corresponde à largura nominal do marcador.

Utilizar a ferramenta apenas com marcadores e matrizes permitidos para a força nominal máxima. Outros marcadores e matrizes podem causar ferimentos ou danos.

Manter as ferramentas de corte afiadas e limpas. Ferramentas de corte bem cuidadas com arestas de corte afiadas prendem menos e são mais fáceis de controlar.

Não utilizar em caixas de comutação sob tensão nem na sua proximidade. Trabalhar apenas em caixas de comutação sem tensão.

Ao atingir a posição final, o aparelho não se desliga automaticamente. Quando o processo de trabalho estiver concluído, soltar o interruptor e acionar o interruptor de desbloqueio.

Em caso de avarias durante o processo de compressão, soltar imediatamente o interruptor de ligação e premir o botão de desbloqueio do sistema hidráulico. A válvula abre e o êmbolo volta à posição inicial.

Deixe uma oficina especializada reparar os danos imediatamente.

Sempre observe a manutenção e os intervalos de manutenção.

Antes de efectuar qualquer intervenção o aparelho retirar o bloco acumulador.

ATENÇÃO! Para evitar o risco de incêndio, de feridas ou de danificação do produto causado por um curto-circuito, não imerja a bateria intercambiável ou o carregador em líquidos e assegure-se de que líquidos não penetrem nos aparelhos ou nas baterias. Líquidos corrosivos ou condutivos como água salgada, determinadas substâncias químicas ou produtos que contenham branqueadores podem causar um curto-circuito.

Use apenas carregadores do Sistema M18 para recarregar os acumuladores do Sistema M18. Não utilize acumuladores de outros sistemas.

Carregadores só devem ser utilizados em recintos secos.

UTILIZAÇÃO AUTORIZADA

A prensa eletrohidráulica de funcionamento a bateria pode ser utilizada exclusivamente para efectuar cortes em aço e aço inoxidável com o marcador e as matrizes previstos para o efeito.

ACUMULADOR

Acumuladores não utilizados durante algum tempo devem ser recarregados antes da sua utilização. Temperaturas acima de 50°C reduzem a capacidade do bloco acumulador. Evitar exposição prolongada ao sol ou a caloríferos.

Manter limpos os contactos eléctricos no carregador e no bloco acumulador.

Para uma vida útil óptima das baterias, terá que carregá-las plenamente após a sua utilização.

Para assegurar uma vida útil longa, o pacote de bateria deve ser removido da carregadora depois do carregamento.

Se o pacote de bateria for armazenado por mais de 30 dias: Armazene o pacote de bateria com aprox. 27°C em um lugar seco. Armazene o pacote de bateria com aprox. 30%-50% da carga completa. Carregue o pacote de bateria novamente de 6 em 6 meses.

Não queimar acumuladores gastos nem deitá-los no lixo doméstico. A Milwaukee possui uma eliminação de acumuladores gastos que respeita o meio ambiente.

Não guardar acumuladores junto com objectos metálicos (perigo de curto-circuito).

Em caso de cargas ou temperaturas extremas, um acumulador de substituição danificado poderá verter líquido de bateria. Se entrar em contacto com este líquido, deverá lavar-se imediatamente com água e sabão. Em caso de contacto com os olhos, enxágue-os bem e de imediato durante pelo menos 10 minutos e consulte um médico o mais depressa possível.

Não abrir acumuladores e carregadores. Armazená-los em recintos secos. Protegê-los contra humidade.

TRANSPORTE DE BATERIAS DE IÃO-LÍTIO

Baterias de ião-lítio estão sujeitas às disposições da legislação relativa às substâncias perigosas.

O transporte destas baterias deve ser efetuado de acordo com as disposições e os regulamentos locais, nacionais e internacionais.

O utilizador pode efetuar o transporte rodoviário destas baterias sem restrições.

O transporte comercial de baterias de ião-lítio por terceiros está sujeito aos regulamentos relativos às substâncias perigosas. A preparação do transporte e o transporte devem ser executados exclusivamente por pessoas instruídas e o processo deve ser acompanhado pelos especialistas correspondentes.

Observe o seguinte no transporte de baterias:

Assegure-se de que os contactos terminais estejam protegidos e isolados para evitar um curto-circuito. Assegure-se de que o bloco da bateria esteja protegido contra movimentos na embalagem. Não transporte baterias danificadas ou que tenham fuga. Para instruções mais detalhadas consulte a companhia de transportes

MANUTENÇÃO

Manter desobstruídos os rasgos de ventilação na carcaça da máquina.

A manutenção deve ser realizada, pelo menos, uma vez por ano, ou após 5000 processos de corte.

Substituir as ferramentas de corte desgastadas.

Trabalhos de manutenção e reparação só devem ser executados por oficinas autorizadas.

O aparelho contém óleo hidráulico que representa um perigo para o lençol freático. Uma evacuação descontrolada ou eliminação incorrecta é punível.

Utilizar apenas acessórios Milwaukee e peças sobresselentes Milwaukee. Os componentes cuja substituição não esteja descrita devem ser substituídos num serviço de assistência técnica Milwaukee (consultar a brochura relativa à garantia/moradas dos serviços de assistência técnica).

A pedido e mediante indicação da referência que consta da chapa de características da máquina, pode requerer-se um desenho explosivo da ferramenta eléctrica a: Techtronic Industries GmbH, Max-Eyth-Straße 10, 71364 Winnenden, Germany.

DECLARAÇÃO DE CONFORMIDADE CE

Declaramos, sob a nossa inteira responsabilidade, que o produto descrito em «Dados Técnicos» cumpre todas as disposições relevantes das diretivas

2011/65/UE (RoHS)

2006/42/CE

2014/30/UE

tendo sido seguidas as seguintes normas harmonizadas

EN 62841-1:2015

EN 55014-1:2017+A11:2020

EN 55014-2:2015

EN IEC 63000:2018



Winnenden, 2020-11-26

Alexander Krug / Managing Director

Autorizado a reunir a documentação técnica.

Techtronic Industries GmbH

Max-Eyth-Straße 10, 71364 Winnenden, Germany

SYMBOLS



ATENÇÃO! PERIGO!



Leia atentamente o manual de instruções antes de colocar a máquina em funcionamento.



Usar sempre óculos de protecção ao trabalhar com a máquina.



Perigo de choque eléctrico



Manter as mãos afastadas da ferramenta de corte e de outras peças móveis. Os dedos podem ser esfolados, cortados ou feridos no mecanismo de corte.



Antes de efectuar qualquer intervenção o aparelho retirar o bloco acumulador.



Acessório - Não incluído no equipamento normal, disponível como acessório.



Aparelhos eléctricos não devem ser jogados no lixo doméstico. Aparelhos eléctricos e electrónicos devem ser colectados separadamente e entregues a uma empresa de reciclagem para a eliminação correcta. Solicite informações sobre empresas de reciclagem e postos de colecta de lixo das autoridades locais ou do seu vendedor autorizado.



Marca de Conformidade Europeia



Marca de Conformidade Britânica



Marca de Conformidade Ucraniana



Marca de Conformidade Eurasiática



TECHNISCHE GEGEVENS Op accu werkende elektrohydraulische stans		M18 HKP
Productienummer	4560 30 03... ... 000001-999999	
Spanning wisselakku	18 V	
Nominale kracht	60 kN	
Diameter max.	100 mm	
Materiaaldikte max.	3,0 mm 2,5 mm	
Gewicht volgens de EPTA-procedure 01/2003 (Li-Ion 2,0 Ah)	2,0 kg	
Geluidsinformatie		
Meetwaarden vastgesteld volgens EN 62841. Het kenmerkende A-gewogen geluidsniveau van de machine bedraagt:		
Geluidsrukniveau (Onzekerheid $K=3dB(A)$)	65,8 dB (A)	
Geluidsvermogniveau (Onzekerheid $K=3dB(A)$)	76,8 dB (A)	
Draag oorbeschermers!		
Trillingsinformatie		
Totale trillingswaarden (vectorsom van drie richting bepaald volgens EN 62841.		
Trillingsemisiewaarde _a	1,28 m/s ²	
Onzekerheid $K=$	1,5 m/s ²	



WAARSCHUWING!

De in deze aanwijzingen vermelde trillingsdruk is gemeten volgens een in EN 62841 genoemde meetmethode en kan worden gebruikt voor de onderlinge vergelijking van apparaten. Hij is ook geschikt voor een voorlopige inschatting van de trillingsbelasting.

De aangegeven trillingsdruk geldt voor de meest gebruikelijke toepassingen van het elektrische apparaat. Wanneer het elektrische gereedschap echter voor andere doeleinden, met andere dan de voorgescreven hulpstukken gebruikt of niet naar behoren onderhouden wordt, kan de trillingsdruk afwijken. Dit kan de waarde van de trillingsdruk over de hele werkperiode aanzienlijk verhogen. Voor een nauwkeurige inschatting van de trillingsdruk moeten ook de tijden in aanmerking worden genomen dat het apparaat uitgeschakeld is of weliswaar loopt, maar niet werkelijk in gebruik is. Dit kan de waarde van de trillingsdruk over de hele werkperiode aanzienlijk verminderen.

Bepaal extra veiligheidsmaatregelen ter bescherming van de bediener tegen de inwerking van trillingen, bijvoorbeeld: onderhoud van elektrische gereedschappen en apparaten, warmhouden van de handen, organisatie van de werkprocessen.

⚠ WAARSCHUWING Lees en bekijk alle veiligheidsaanwijzingen, aanwijzingen, afbeeldingen en gegevens die u bij het apparaat ontvangt. Als de waarschuwingen en voorschriften niet worden opgevolgd, kan dit een elektrische schok, brand of ernstig letsel tot gevolg hebben.
Bewaar alle waarschuwingen en voorschriften voor toekomstig gebruik.

⚠ VEILIGHEIDSAANWIJZINGEN VOOR STANSEN

Draag veiligheidsuitrusting. Bij het werken met de machine altijd een veiligheidsbril dragen. Veiligheidskleding zoals stofmasker, veiligheidshandschoenen, stevig en slipvast schoeisel, helm en gehoorbescherming worden aanbevolen.

Houd handen en losse kleding uit de buurt van snijwerktuigen en andere bewegende delen.

Controleer het snijgereedschap voor elk gebruik op scheuren en andere tekenen van slijtage. Gebruik snijgereedschap en snijapparaten alleen in technisch onberispelijke toestand.

Het apparaat mag alleen met aangebracht snijgereedschap worden gebruikt.

Controleer of de nominale wijdtje van de matrijs overeenkomt met de nominale wijdtje van de stempel.

Gebruik het werktuig alleen met stempels en matrijzen die zijn toegelaten voor de maximale nominale kracht, anders kan letsel of schade het gevolg zijn.

Houd de snijgereedschappen scherp en schoon. Goed onderhouden snijgereedschappen met scherpe snijkanten raken minder vastgeklemd en kunnen gemakkelijker worden gecontroleerd.

Gebruik het apparaat niet in of in de buurt van onder spanning staande schakelkasten. Werk alleen in spanningsvrij geschakelde schakelkasten.

Het apparaat schakelt niet automatisch uit na het bereiken van de eindpositie. Laat de schakelaar los wanneer de bewerking is voltooid en druk op de ontgrendelingschakelaar.

Laat bij storingen tijdens het persen onmiddellijk de AAN-schakelaar los en druk op de ontgrendelingsknop van de hydrauliek. De klep opent en de zuiger stuurt terug naar zijn uitgangpositie.

Laat beschadigingen onmiddellijk verhelpen in een geautoriseerde werkplaats.

Houd u strikt aan de onderhouds- en instandhoudingsinstructies.

Voor alle werkzaamheden aan de apparat de akku verwijderen.

WAARSCHUWING! Voorkom brand, persoonlijk letsel of materiële schade door kortsluiting en dompel het gereedschap, de wisselakku en het laadtoestel niet onder in vloeistoffen en waarborg dat geen vloeistoffen in de apparaten en accu's kunnen dringen. Corrosieve of geleidende vloeistoffen zoals zout water, bepaalde chemicaliën, bleekmiddelen of producten die bleekmiddelen bevatten, kunnen een kortsluiting veroorzaken.

Wisselakku's van het Akku-Systeem M18 alléén met laadapparaten van het Akku-Systeem M18 laden. Geen akku's van andere systemen laden.

Wisselakku's en laadapparaten niet openen en alleen in droge ruimtes opslaan. Tegen vocht beschermen.

VOORGESCHREVEN GEBRUIK VAN HET SYSTEEM

De elektrohydraulische stans op accu mag alleen worden gebruikt voor het snijden in staal en edelstaal met de daarvoor bedoelde stempels en matrijzen.

AKKU

Langere tijd niet toegepaste wisselakku's vóór gebruik altijd naladen. Een temperatuur boven de 50°C vermindert de capaciteit van de accu. Langdurige verwarming door zon of hitte vermijden.

De aansluitcontacten aan het laadapparaat en de akku schoonhouden.

Voor een optimale levensduur moeten de accu's na het gebruik volledig opgeladen worden.

Voor een zo lang mogelijke levensduur van de accu's dienen deze na het opladen uit het laadtoestel te worden verwijderd.

Bij een langere opslag van de accu dan 30 dagen: accu bij ca. 27 °C droog bewaren. accu bij ca. 30 % - 50 % van de laadtoestand bewaren. accu om de 6 maanden opnieuw opladen.

Verbruikte accu's niet in het vuur of bij het huisvuil werpen. Milwaukee biedt namelijk een milieuvriendelijke recyclingmethode voor uw oude accu's.

Wisselaccu's niet bij metalen voorwerpen bewaren (kortsluitingsgevaar!).

Onder extreme belasting of extreme temperaturen kan uit de accu accu-vloeistof lopen. Na contact met accu-vloeistof direct afwassen met water en zeep. Bij oogcontact direct minstens 10 minuten grondig spoelen en onmiddellijk een arts raadplegen.

In de wisselaccu-opnameschacht van het laadapparaat mogen géén metaaldeeltjes komen (kortsluitingsgevaar!).

TRANSPORT VAN LITHIUM-IONEN-ACCU'S

Lithium-ionen-accu's vallen onder de wettelijke bepalingen inzake het transport van gevaarlijke goederen.

Voor het transport van deze accu's moeten de lokale, nationale en internationale voorschriften en bepalingen in acht worden genomen.

Verbruikers mogen deze accu's zonder meer over de weg transporteren.

Het commerciële transport van lithium-ionen-accu's door expeditiebedrijven is onderhevig aan de bepalingen inzake het transport van gevaarlijke goederen. De verzendingsvoorbereidingen en het transport mogen uitsluitend worden uitgevoerd door dienovereenkomstig opgeleide personen. Het complete proces moet vakkundig worden begeleid.

Onderstaande punten moeten bij het transport van accu's in acht worden genomen:

Waarborg ter vermindering van kortsluitingen dat de contacten beschermd en geïsoleerd zijn. Let op dat het accupack in de verpakking niet kan verschuiven. Beschadigde of lekkende accu's mogen niet worden getransporteerd. Neem voor meer informatie contact op met uw expeditiebedrijf.

ONDERHOUD

Altijd de luchtspleten van de machine schoonhouden.

Het onderhoud moet ten minste jaarlijks of na 5000 keer snijden worden gedaan.

Vervang versleten snijgereedschappen.

Onderhouds- en reparatiewerkzaamheden mogen uitsluitend worden uitgevoerd in een geautoriseerde werkplaats.

Het apparaat bevat hydrauliekolie die een bedreiging vormt voor het grondwater. Ongecontroleerd afblazen of incorrecte afvalverwijdering kan worden bestraft.

Gebruik uitsluitend Milwaukee toebehoren en onderdelen. Indien componenten die moeten worden vervangen niet zijn beschreven, neem dan contact op met een officieel Milwaukee servicecentrum (zie onze lijst met servicecentra).

Onder vermelding van het nummer op het machineplaatje is desgewenst een doorsnedetekening van de machine verkrijgbaar bij: Techtronic Industries GmbH, Max-Eyth-Straße 10, 71364 Winnenden, Germany.

EC - VERKLARING VAN OVEREENSTEMMING

We verklaren geheel onder eigen verantwoordelijkheid dat het product in de "Technische data" voldoet aan alle relevante bepalingen van de richtlijnen

2011/65/EU (RoHS)

2006/42/EG

2014/30/EU

en de volgende geharmoniseerde normen zijn gebruikt.

EN 62841-1:2015

EN 55014-1:2017+A11:2020

EN 55014-2:2015

EN IEC 63000:2018



Winnenden, 2020-11-26

Alexander Krug / Managing Director

Gemachtigd voor samenstelling van de technische documenten

Techtronic Industries GmbH

Max-Eyth-Straße 10, 71364 Winnenden, Germany

SYMBOLEN



OPGELET! WAARSCHUWING! GEVAAR!



Graag instructies zorgvuldig doorlezen vóórdat u de machine in gebruik neemt.



Bij het werken met de machine altijd een veiligheidsbril dragen.



Risico op een elektrische schok



Houd handen uit de buurt van snijwerktuigen en andere bewegende delen. Vingers kunnen in het snijmechanisme terechtkomen en worden geamputeerd of u kunt ander letsel aan de vingers oplopen.



Voor alle werkzaamheden aan de apparat de accu verwijderen.



Toebehoren - Wordt niet meegeleverd. Is apart leverbaar. Zie hiervoor het toebehorenprogramma.



Elektrische apparaten mogen niet via het huisafval worden afgevoerd. Elektrische en elektronische apparaten moeten gescheiden worden verzameld en voor een milieuvriendelijke afvoer worden afgegeven bij een recyclingbedrijf. Informeer bij uw gemeente of bij uw vakhandelaar naar recyclingbedrijven en inzamelpunten.



Europees symbool van overeenstemming



Brits symbool van overeenstemming



Oekraïens symbool van overeenstemming



Euro-Aziatisch symbool van overeenstemming



TEKNISKE DATA	
Batteridreven el-hydraulisk stanse	
Produktionsnummer	4560 30 03... ... 000001-999999
Udskiftningsbatteriets spænding	18 V
Nominal kraft	60 kN
Diameter maks.	100 mm
Materialestyrke maks.	
Stål	3,0 mm
Rustfrit stål	2,5 mm
Vægt svarer til EPTA-procedure 01/2003 (Li-Ion 2,0 Ah)	2,0 kg
Støjinformation	
Måleværdier beregnes iht. EN 62841. Værktøjets A-vurderede støjniveau er typisk:	
Lydtrykniveau (Usikkerhed K=3dB(A))	65,8 dB (A)
Lydeffekt niveau (Usikkerhed K=3dB(A))	76,8 dB (A)
Brug høreværn!	
Vibrationsinformation	
Samlede vibrationsværdier (værdisum for tre retninger) beregnet iht. EN 62841.	
Vibrationseksposering _a , Usikkerhed K=	1,28 m/s ² 1,5 m/s ²



ADVARSEL!

Svingningsniveauet, som er angivet i disse anvisninger, er målt i henhold til standardiseret måleprocedure ifølge EN 62841 og kan anvendes til indbyrdes sammenligning mellem el-værktøjer. Svingningsniveauet er ligeledes egnet som foreløbigt skøn over svingningsbelastningen. Det angivne svingningsniveau er baseret på el-værktøjets primære anvendelsesformål. Hvis el-værktøjet benyttes til andre formål, med andet indsatsværktøj eller ikke vedligeholdes tilstrækkeligt, kan svingningsniveauet afvige. Dette kan øge svingningsbelastningen over den samlede arbejdsperiode betydeligt. For en nøjagtig vurdering af svingningsbelastningen skal der også tages højde for de tidsperioder, hvor apparatet er slukket, eller hvor apparatet kører, men uden at være i anvendelse. Dette kan reducere svingningsbelastningen over den samlede arbejdsperiode betydeligt. Supplerende sikkerhedsforanstaltninger til beskyttelse af brugeren mod påvirkninger fra svingninger skal iværksættes, f.eks.: Vedligeholdelse af el-værktøj og indsatsværktøj, varmeholdelse af hænder, organisering af arbejdsprocesser.

ADVARSEL Læs alle sikkerhedsanvisninger, anvisninger, instruktioner og data, der følger med enheden. I tilfælde af manglende overholdelse af advarselshenvisningerne og instrukserne er der risiko for elektrisk stød, brand og/eller alvorlige kvæstelser.

Opbevar alle advarselshenvisninger og instrukser til senere brug.

SIKKERHEDSANVISNINGER FOR STANSER

Brug beskyttelsesudstyr. Når der arbejdes med maskinen, skal man have beskyttelsesbriller på. Vi anbefaler desuden brug af personlig beskyttelsesudrustning, såsom støvmaske, sikkerhedshandsker, fast og skridsikkert skotøj, hjelm og høreværn.

Hænder og løstsiddende tøj må ikke komme i nærheden af skære-værktøjer og andre bevægelige dele.

Kontrollér inden hver brug, om der er revner eller anden slitage på skæreværktøjerne. Brug kun skæreværktøj og skæreapparater, hvis de er i teknisk upåklagelig stand.

Enheden må kun bruges med isat skæreværktøj.

Kontrollér, om matrixens pålydende vidde stemmer overens med stemplets pålydende vidde.

Brug kun værktøjet med stempler og matrixer, der er tilladt til den maksimale nominelle kraft. Andre kan fremkalde personskader eller materielle skader.

Sørg for, at skæreværktøjet er skarpt og rent. Godt vedligeholdt skæreværktøj med skarpe skærekanter kommer ikke så let i klemme og er lettere at kontrollere.

Brug det ikke ved eller i nærheden af afbryderskabe, der står under spænding. Du bør kun arbejde ved spændingsfri afbryderskabe.

Enheden stopper ikke automatisk i slutposition. Når arbejdsprocessen af afsluttet, slip kontakten og tryk på frigørelseskontakten.

Hvis der er driftsforstyrrelser under presseprocessen, skal du straks slippe ON-kontakten og trykke hydraulikkens frigørelsesknop. Ventilen vil åbne og stemplet vende tilbage i sin udgangsposition.

Lad straks beskadigelse reparere på et autoriseret værksted.

Service og serviceintervaller skal ubetinget overholdes.

Ved arbejde inden i maskinen, bør batteriet tages ud.

ADVARSEL! For at undgå risiko for brand, kvæstelser eller beskadigelse af produktet forårsaget af kortslutning må værktøjet, batteripakken eller opladeren ikke nedsænkes i vand. Sørg ligeledes for, at der ikke trænger væske ind i enhederne og batterierne. Korroderende eller ledende væsker, f.eks. saltvand, bestemte kemikalier, blegestoffer eller produkter, som indeholder blegestoffer, kan forårsage kortslutning.

Brug kun M18 ladeapparater for opladning af System M18 batterier. Udskiftningsbatterier og opladere må ikke åbnes og skal opbevares i tørre rum. Beskyt dem mod fugtighed.

TILTÆNKT FORMÅL

Den batteridreven el-hydrauliske stanse på kun bruges til at skære i stål og rustfrit stål med de stempler og matrixer, der er beregnet til dette arbejde.

BATTERI

Udskiftningsbatterier, der ikke har været brugt i længere tid, efterlades inden brug. Ved temperaturer over 50°C formindskes batteriets effekt. Undgå direkte sollys og stærk varme.

Tilslutningskontakterne på oplader og udskiftningsbatterier skal holdes rene.

For at opnå en optimal levetid skal de genopladelige batterier oplades fuldt efter brug.

For at sikre en så lang levetid som muligt skal batterierne tages ud af ladeaggregatet efter opladning.

Skal batterierne opbevares længere end 30 dage: Temperatur ca. 27°C i tørre omgivelser. Opbevares ved ca. 30%-50% af ladetilstanden. Batteri skal genoplades hver 6. måned.

Opbrugte udskiftningsbatterier må ikke brændes eller kasseres sammen med alm. husholdningsaffald. Milwaukee har en miljørigtig bortskaffelse af gamle udskiftningsbatterier, henvend Dem til Deres forhandler.

Opbevar ikke udskiftningsbatterier sammen med metalgenstande af fare for kortslutning.

I tilfælde af en ekstrem belastning eller ekstrem temperatur kan der flyde batterievæske ud af et beskadiget batteri. Hvis De

kommer i berøring med batterivæsken, skal den vaskes godt og grundigt af med vand og sæbe. I tilfælde af øjenkontakt, skal man mindst skylle øjnene godt og grundigt igennem i 10 minutter og omgående opøge en læge.

Metaldele o. lign må ikke komme i berøring med rummet beregnet for udskiftningsbatteriet (kortslutningsfare).

TRANSPORT AF LITHIUM-BATTERIER

Lithium-batterier er omfattet af lovgivningen om transport af farligt gods.

Transporten af disse batterier skal ske under overholdelse af lokale, nationale og internationale regler og bestemmelser.

Forbrugere må transportere disse batterier på veje uden yderligere krav.

Den kommercielle transport af lithium-batterier ved speditjonsfirmaer er omfattet af reglerne for transport af farligt gods. Forberedelsen af forsendelse og transport må kun udføres af tilsvarende trænedede personer. Den samlede proces skal følges af fagfolk.

Følgende punkter skal overholdes ved transport af batterier:

Sørg for at kontakterne er beskyttet og isoleret for at forhindre kortslutninger. Sørg for at batteripakken ikke kan bevæge sig inden for emballagen. Beskadigede eller lækkende batterier må ikke transporteres. Kontakt dit speditjonsfirma for at få yderligere oplysninger.

VEDLIGEHOLDELSE

Hold altid maskinens ventilationsåbninger rene.

Vedligeholdelsen skal gennemføres mindst én gang årligt eller efter 5.000 skæreværkprocesser.

Udskift slidt skæreværktøj.

Service og reparationer må kun udføres af autoriserede serviceværksteder.

Maskinen indeholder hydraulikolie, som er til fare for grundvandet. Ukontrolleret udtømning eller ukorrekt bortskaffelse er strafbart ved lov.

Brug kun Milwaukee-tilbehør og Milwaukee-reservedele.

Komponenter, hvor udskiftningsproceduren ikke er beskrevet, skal skiftes ud hos et Milwaukee-servicested (se brochure garanti/kundeserviceadresser).

Ved opgivelse af type nr. der er angivet på maskinens effektskilt, kan de rekvirere en reservedelstegning, ved henvendelse til: Techtronic Industries GmbH, Max-Eyth-Straße 10, 71364 Winnenden, Germany.

CE-KONFORMITETSERKLÆRING

Vi erklærer som eneansvarlige, at produktet, som beskrives under „Tekniske data“, opfylder alle de relevante bestemmelser i direktiverne

2011/65/EU (RoHS)

2006/42/EF

2014/30/EU

og følgende harmoniserede standarder er blevet anvendt.

EN 62841-1:2015

EN 55014-1:2017+A11:2020

EN 55014-2:2015

EN IEC 63000:2018



Winnenden, 2020-11-26

Alexander Krug / Managing Director
Autoriseret til at udarbejde de tekniske dokumenter.

Techtronic Industries GmbH

Max-Eyth-Straße 10, 71364 Winnenden, Germany

SYMBOLER



VIGTIGT! ADVARSEL! FARE!



Læs brugsanvisningen nøje før ibrugtagning.



Når der arbejdes med maskinen, skal man have beskyttelsesbriller på.



Fare for elektrisk stød



Hænder må ikke komme i nærheden af skæreværktøjet og andre bevægelige dele. Fingrene kan komme ind i skæremekanismen og kan blive skåret af eller beskadiges.



Ved arbejde inden i maskinen, bør batteriet tages ud.



Tilbehør - Ikke inkluderet i leveringsomfanget, kab købes som tilbehør.



Elektrisk udstyr må ikke bortskaffes sammen med det almindelige husholdningsaffald. Elektrisk og elektronisk udstyr skal indsamles særskilt og afleveres hos en genbrugsvirksomhed til en miljømæssig forsvarlig bortskaffelse. Spørg de lokale myndigheder eller din forhandler om genbrugsstationer og indsamlingssteder til sådant affald.



Europæisk konformitetsmærke



Britisk konformitetsmærke



Ukrainsk konformitetsmærke



Eurasisk konformitetsmærke



TEKNISKE DATA Batteridrevet elektrisk-hydraulisk stanse	M18 HKP
Produksjonsnummer	4560 30 03... ... 000001-999999
Spenning vekselbatteri	18 V
Nominell kraft	60 kN
Diameter maks.	100 mm
Materialtykkelse maks. Stål Rustfritt stål	3,0 mm 2,5 mm
Vekt i henhold til EPTA-Prosedyren 01/2003 (Li-Ion 2,0 Ah)	2,0 kg
Støyinformasjon	
Måleverdier fastslått i samsvar med EN 62841. Det typiske A-bedømte støynivået for maskinen er:	
Lydtryknivå (Usikkerhet K=3dB(A))	65,8 dB (A)
Lydeffektnivå (Usikkerhet K=3dB(A))	76,8 dB (A)
Bruk hørselsvern!	
Vibrasjonsinformasjoner	
Totale svingningsverdier (vektorsum fra tre retninger) beregnet jf. EN 62841.	
Svingningsemissjonsverdi _n	1,28 m/s ²
Usikkerhet K=	1,5 m/s ²



Nor

ADVARSEL!

Svingningsnivået som er angitt i denne instruksjonen er målt i overensstemmelse med målemetoden normert i direktiv EN 62841 og kan brukes til å sammenligne elektromaskiner med hverandre. Den egner seg også for en foreløbig vurdering av svingningsbelastningen. Det angitte svingningsnivået representerer de hovedsaklige bruk av elektroverktøyet. Men anvendes elektroverktøyet for andre bruk med avvikende utskiftbare verktøy eller vedlikeholdet er utilstrekkelig, kan svingningsnivået være avvikende.

Dette kan forhøye svingningsbelastning betydelig over hele arbeidsperioden. For en nøyaktig vurdering av svingningsbelastningen må også det tas hensyn til tiden apparatet er avslått eller står på, men ikke er i bruk. Dette kan redusere svingningsbelastningen betydelig over hele arbeidsperioden. Innfør også ekstra sikkerhetsiltak for å beskytte bruker mot utvirkningen av svingningene. Disse kan f.eks. være: vedlikehold av elektroverktøyet og det utskiftbare verktøyet, holde hendene varme, organisasjon av arbeidsforløpet.

⚠ ADVARSEL Les alle sikkerhetsanvisninger, instruksjer, bildeforklaringer og data som fulgte med maskinen. Feil ved overholdelsen av advarslene og nedestående anvisninger kan medføre elektriske støt, brann og/eller alvorlige skader. **Ta godt vare på alle advarslene og informasjonene.**

⚠ SIKKERHETSANVISNINGER FOR STANSER

Bruk vernebekledning. Bruk alltid vernebrille når du arbeider med maskinen. Vernebekledning så vel som støvmaske, vernehansker, fast og sklisikkert skotøy, hjem og hørselsvern er anbefalt.

Hold hender og løstsittende klær unna kutteenheten og andre bevegelige deler.

Sjekk kutteenheten før hver bruk for sprekker og annen slitasje. Kutteenheten og selve kutteren skal kun brukes når de er i feilfri stand.

Apparatet må kun brukes når kutteenheten er satt på.

Sjekk om den nominelle bredden til matrisen samsvarer med den nominelle bredden til stampelet.

Bruk verktøyet kun med stempler og matriser som er godkjent for den maksimale nominelle kraften. Annet kan føre til personskade eller materielle skader.

Hold kutteverktøyet skarpt og rent. Ved bruk av kutteverktøy med skarpe egger som blir vedlikeholdt riktig vil du oppleve mindre fastklemming i tillegg til at verktøyet er lettere å kontrollere.

Må ikke brukes i eller i nærheten av spenningsførende koblingsbokser. Slike arbeider må kun utføres når koblingsboksen er koblet spenningsfri.

Verktøyet skruer seg ikke automatisk av når sluttposisjonen er nådd. Når arbeidsprosessen er avsluttet, slipper du bryteren og utløser låsebryteren.

Ved feil under pressingen må du slippe PÅ-bryteren omgående og trykke låsekappen til hydraulikken. Ventilen åpner seg og kolben går tilbake til utgangsposisjonen.

Skader skal med en gang repareres av et autorisert fagverksted.

Vedlikehold og vedlikeholdsintervaller må alltid inneholdes.

Ta ut vekselbatteriet før du arbeider på maskinen

ADVARSEL! For å unngå fare for en brann forårsaket av en kortslutning, av personskader eller skader av produktet, må det forhindres at batteripakken eller laderen dypes i væsker og også sørges for at ingen væsker kan komme inn i apparatene eller batteriene. Korroderende og ledende væsker som saltvann, visse kjemikalier og blekemidler eller produkt som inneholder blekemidler kan forårsake en kortslutning.

Vekselbatterier av systemet M18 skal kun lades med lader av systemet M18. Ikke lad opp batterier fra andre systemer.

Ikke åpne vekselbatterier og ladere, de skal oppbevares i tørre rom. Beskyttes mot fuktighet.

FORMÅLSMESSIG BRUK

Den batteridrevne elektrisk-hydrauliske stansen må brukes utelukkende til kutting av stål og rustfritt stål med passende stempel og matrise.

BATTERIER

Vekselbatterier som ikke er brukt over lengre tid skal etterlades før bruk. En temperatur over 50°C reduserer vekselbatteriets kapasitet. Unngå oppvarming i sol eller ved varmeovner (fyring) i lengre tid.

Hold tilkoplingskontaktene på lader og vekselbatteri rene.

For optimal holdbarhet må batteriene lades opp helt etter bruk.

For å sikre en lengst mulig brukstid av batteriene skal disse etter oppladning taes ut av laderen.

Ved lagring av batteriene lengre enn 30 dager: Lagre batteriet rett ved ca. 27°C. Lagre batteriet ved en oppladningstilstand på ca. 30%-50%. Lade opp batteriet igjen etter 6 måneder.

Ikke kast brukte vekselbatterier i varmen eller husholdningssavfallet. Milwaukee tilbyr en miljøriktig deponering av gamle vekselbatterier; vennligst spør din fagforhandler.

Ikke oppbevar vekselbatterier sammen med metallgjenstander (kortslutningsfare).

Under ekstreme belastninger og ekstreme temperaturer kan det lekke ut batterivæske fra utskiftbare batterier. Ved berøring med batterivæske, vask umiddelbart med såpe og vann. Ved kontakt med øynene må øynene skylles grundig i rennende vann i minst 10 minutter. Oppsøk lege umiddelbart.

Metalldele må ikke komme inn i innskyvningsjakten for vekselbatterier på ladere (kortslutningsfare).

TRANSPORT AV LITIUM-ION-BATTERI

Litium-ion-batterier faller under de lovfestede forskriftene om transport av farlig gods.

Transporten av disse batteriene må rette seg etter lokale, nasjonale og internasjonale forskrifter og bestemmelser.

Forbruker har lov å transportere disse batteriene på gaten uten reglementering.

Den kommersielle transport av Litium-ion-batterier av spedisjonsfirma faller under bestemmelsene om transport av farlig gods. Forberedningene av forsendelsen og transport skal utelukkende gjennomføres av personer som har blitt skolert til dette. Hele prosessen skal følges opp av fagfolk.

Følgende punkter skal tas hensyn til ved transport:

Kontroller at kontaktene er beskyttet og isolert for å unngå kortslutninger. Pass på at batteripakken i forpakningen ikke kan skli fram og tilbake. Skadede eller batterier som lekker er det ikke lov å transportere. Ta kontakt med spedisjonsfirma for ytterligere henvisninger.

VEDLIKEHOLD

Hold alltid lufteåpningene på maskinen rene.

Vedlikehold må utføres minst en gang i året eller etter 5 000 kutt. Slitte kutteenheter skal skiftes ut.

Vedlikeholds- og reparasjoner skal bare utføres av autoriserte fagverksteder.

Apparatet inneholder hydraulikkolje som er en fare for grunnvannet. Ukontrollerte utslipp eller usaksmessige deponering av oljen er straffbart.

Bruk kun Milwaukee tilbehør og Milwaukee reservedeler. Komponenter der utskiftning ikke er beskrevet skal skiftes ut hos Milwaukee kundeservice (se brosjyre garanti/kundeserviceadresser).

Ved behov kan du be om en eksplosjonstegning av apparatet hos din kundeservice eller direkte hos Techtronic Industries GmbH, Max-Eyth-Straße 10, 71364 Winnenden, Germany. Oppgi maskintype og det nummeret på typeskiltet.

CE-SAMSVARSERKLÆRING

Vi erklærer i alene ansvar at produktet beskrevet i „Teknisk data“ overensstemmer med alle relevante forskrifter til Eu direktiv

2011/65/EU (RoHS)

2006/42/EC

2014/30/EU

og de følgende harmoniserte normative dokumentene, fyrstikker

EN 62841-1:2015

EN 55014-1:2017+A11:2020

EN 55014-2:2015

EN IEC 63000:2018



Winnenden, 2020-11-26

Alexander Krug / Managing Director
Autorisert til å utarbeide den tekniske dokumentasjonen

Techtronic Industries GmbH
Max-Eyth-Straße 10, 71364 Winnenden, Germany

SYMBOLER



OBS! ADVARSEL! FARE!



Les nøye gjennom bruksanvisningen før maskinen tas i bruk.



Bruk alltid vernebrille når du arbeider med maskinen.



Fare for elektrisk støt



Hold hendene unna kutteenheten og andre bevegelige deler. Fingrene kan komme i klem i kuttemekanismen og kappes av eller bli skadet på annen måte.



Ta ut vekselbatteriet før du arbeider på maskinen



Tilbehør - inngår ikke i leveransen, anbefalt komplettering fra tilbehørsprogrammet.



Elektriske apparat skal ikke kastes sammen med vanlig husholdningsavfall. Elektriske og elektroniske apparat skal samles separat og leveres til miljøvennlig deponering til en avfall bedrift. Informer deg hos myndighetene på stedet eller hos din fagforhandler hvor det finnes recycling bedrifter oppsamlingssteder.



Europeisk samsvarsmerke



Britisk samsvarsmerke



Ukrainsk samsvarsmerke



Euroasiatisk samsvarsmerke



TEKNISKA DATA Batteridrivet elhydrauliskt stansverktyg	M18 HKP
Produktionsnummer	4560 30 03... ... 000001-999999
Batterispänning	18 V
Nominell kraft	60 kN
Diameter max.	100 mm
Materialjocklek max. Stål Rostfritt stål	3,0 mm 2,5 mm
Vikt enligt EPTA 01/2003 (Li-Ion 2,0 Ah)	2,0 kg
Bullerinformation Mätvärdena har tagits fram baserade på EN 62841. A-värdet av maskinens ljudnivå utgör:	
Ljudtrycksnivå (Onoggrannhet K=3dB(A))	65,8 dB (A)
Ljudeffektsnivå (Onoggrannhet K=3dB(A))	76,8 dB (A)
Använd hörselskydd!	
Vibrationsinformation Totala vibrationsvärden (vektorsumma ur tre riktningar) framtaget enligt EN 62841.	
Vibrationsemissionsvärde _h Onoggrannhet K=	1,28 m/s ² 1,5 m/s ²



WARNING!

Den i de här anvisningarna angivna vibrationsnivån har uppmätts enligt ett i EN 62841 normerat mätförfarande och kan användas vid jämförelse mellan olika elverktyg. Nivån är även lämplig att använda vid en preliminär bedömning av vibrationsbelastningen. Den angivna vibrationsnivån representerar den huvudsakliga användningen av det aktuella elverktyget. Men om elverktyget ska användas i andra användningsområden, tillsammans med avvikande insatsverktyg eller efter otillräckligt underhåll, kan vibrationsnivån skilja sig. Det kan öka vibrationsbelastningen betydligt under hela arbetstiden.

För att få en exaktare bedömning av vibrationsbelastningen ska även den tid beaktas, under vilken elverktyget är avstängt eller är påslaget, utan att det verkligen används. Det kan reducera vibrationsbelastningen betydligt under hela arbetstiden.

Lägg som skydd för användaren fast extra säkerhetsåtgärder mot vibrationernas verkan, som till exempel: underhåll av elverktyg och insatsverktyg, varmhållning av händer och organisering av arbetsförlopp.

⚠ WARNING Läs alla säkerhetsanvisningar, instruktioner, beskrivningar och uppgifter som du får tillsammans med apparaten. Fel som uppstår till följd av att anvisningarna nedan inte följts kan orsaka elstöt, brand och/eller allvarliga kroppsskador.

Förvara alla varningar och anvisningar för framtida bruk.

⚠ SÄKERHETSANVISNINGAR FÖR STANSVERKTYG

Använd skyddsutrustning. Använd alltid skyddsglasögon. Som skyddsutrustning rekommenderar vi t ex en dammskyddsmask, skyddshandskar, stabila och halksäkra skor, hjälm och hörselskydd.

Håll händer och löst sittande kläder borta från skärverktyg och andra rörliga delar.

Kontrollera skärverktygen med avseende på sprickor och andra tecken på slitage före varje användning. Använd skärverktyg och skärapparater endast när de är i tekniskt felritt skick.

Apparaten får endast användas med isatt skärverktyg.

Kontrollera om konkavformens nominella bredd överensstämmer med stämpelns nominella bredd.

Använd verktyget endast med stämplar och konkavformar som är godkända för den maximala nominella kraften. Andra kan orsaka skador på person eller material.

Håll skärverktyg vassa och rena. Välskötta skärverktyg med vassa skäreggar kärvar mindre och är lättare att kontrollera.

Använd inte apparaten i eller i närheten av kopplingskåp som står under spänning. Arbeta endast på kopplingskåp som har gjorts spänningsfria.

Apparaten stängs inte av automatiskt när ändläget har nåtts. När arbetsmomentet har avslutats, släpper du strömbrytaren och trycker på uppläsningsknappen.

Släpp genast PÅ-knappen vid störningar under pressningen, och tryck på hydraulsystemets uppläsningsknapp. Ventilen öppnas och kolven går tillbaka till utgångsläget.

Kontakta omedelbart en auktoriserad fackverkstad för reparation om produkten skulle vara skadad.

Genomför absolut allt föreskrivet underhåll och beakta underhållsintervallerna.

Drag ur batteripaket innan arbete utföres på maskinen.

WARNING! För att undvika den fara för brand, personskador eller produktskador som orsakas av en kortslutning, doppa inte ner verktyget, utbytesbatteriet eller laddaren i vätskor och se till att ingen vätska kan tränga in i apparaterna eller batterierna. Korroderande eller ledande vätskor, som saltvatten, vissa kemikalier, blekningsmedel eller produkter som innehåller blekmedel, kan orsaka en kortslutning.

System M18 batterier laddas endast i System M18 laddare. Ladda inte batterier från andra system.

Batterier lagras torrt och skyddas för fukt.

ANVÄND MASKINEN ENLIGT ANVISNINGARNA

Det batteridrivna elhydrauliska stansverktyget får endast användas för att skära i stål och rostfritt stål med hjälp av de stämplor och konkavformar som är avsedda för det ändamålet.

BATTERIER

Batteri som ej använts på länge måste laddas före nytt bruk. En temperatur över 50°C reducerar batteriets effekt. Undvik längre uppvärmning tex i solen eller nära ett element.

Se till att anslutningskontakterna i laddaren och på batteriet är rena.

För att batterierna ska få lång livslängd ska de laddas fulla efter användning.

För att få en så lång livslängd som möjligt bör laddningsbara batterier avlägsnas från laddaren när de är laddade.

Om laddningsbara batterier lagras längre än 30 dagar: Lagra batteriet torrt och vid ca 27°C. Lagra batteriet vid ca 30%-50% av laddningskapaciteten. Ladda batterierna på nytt var 6:e månad.

Kasta inte förbrukade batterier. Lämn dem till Milwaukee Tools för återvinning.

Förvara ej batteriet ihop med metallföremål, kortslutning kan uppstå.

Under extrem belastning eller extrem temperatur kan batterivätska tränga ut ur skadade utbytesbatterier. Vid beröring med batterivätska tvätta genast av med vatten och tvål. Vid ögonkontakt spola genast i minst 10 minuter och kontakta genast läkare. Se upp så att inga metallföremål hamnar i laddarens batterischakt, kortslutning kan uppstå.

TRANSPORTERA LITIJONJON-BATTERIER

För litiumjon-batterier gäller de lagliga föreskrifterna för transport av farligt gods på väg.

Därför får dessa batterier endast transporteras enligt gällande lokala, nationella och internationella föreskrifter och bestämmelser.

Konsumenter får transportera dessa batterier på allmän väg utan att behöva beakta särskilda föreskrifter.

För kommersiell transport av litiumjon-batterier genom en speditönsfirma gäller emellertid bestämmelserna för transport av farligt gods på väg. Endast personal som känner till alla tillämpliga föreskrifter och bestämmelser får förbereda och genomföra transporten. Hela processen ska följas upp på fackmässigt sätt.

Följande ska beaktas i samband med transporten av batterier:

Säkerställ att alla kontakter är skyddade och isolerade för att undvika kortslutning. Se till att batteripacken inte kan glida fram och tillbaka i förpackningen. Transportera aldrig batterier som läcker, har runnit ut eller är skadade. För mer information vänligen kontakta din speditönsfirma.

SKÖTSEL

Se till att motorhöljets luftslitsar är rena.

Underhållet måste utföras minst en gång om året eller efter 5.000 skärprocesser.

Byt ut slitna skärverktyg.

Underhållsarbeten och reparationer får endast utföras på auktoriserade fackverkstäder.

I apparaten finns hydraulolja som är farlig för grundvattnet. Det är straffbart att tappa av hydraulolja okontrollerat eller att ta hand om den som avfall på annat än föreskrivet sätt.

Använd endast Milwaukee-tillbehör och Milwaukee-reservdelar. Komponenter, för vilka inget byte beskrivs, skall bytas ut hos Milwaukee-kundtjänst (se broschyren garanti-/kundtjänstadresser).

Vid behov av sprängskiss, kan en sådan, genom att uppges maskinens art. nr. (som finns på typskylten) erhållas från: Techtronic Industries GmbH, Max-Eyth-Straße 10, 71364 Winnenden, Germany.

CE-FÖRSÄKRAN

Vi tar på vårt ansvar att produkten som har beskrivits under Tekniska data uppfyller alla relevanta villkor i direktiven

2011/65/EU (RoHS)

2006/42/EU

2014/30/EU

samt att följande harmoniserade standarder har använts.

EN 62841-1:2015

EN 55014-1:2017+A11:2020

EN 55014-2:2015

EN IEC 63000:2018



Winnenden, 2020-11-26

Alexander Krug / Managing Director
Befullmäktigad att sammanställa teknisk dokumentation.

Techtronic Industries GmbH

Max-Eyth-Straße 10, 71364 Winnenden, Germany

SYMBOLER



OBSERVERA! VARNING! FARA!



Läs instruktionen noga innan du startar maskinen.



Använd alltid skyddsglasögon.



Risk för elektrisk stöt



Håll händer borta från skärverktyg och andra rörliga delar. Fingrar kan komma in i skärmekanismen och skäras av eller skadas.



Drag ur batteripaket innan arbete utföres på maskinen.



Tillbehör - Ingår ej i leveransomfånget, erhålles som tillbehör.



Elektriska maskiner och elverktyg som kasseras får inte slängas tillsammans med de vanliga hushållsoporna. Elektriska maskiner och verktyg samt elektronisk utrustning som kasseras ska samlas separat och lämnas till en avfallsstation för miljövänlig avfallshantering. Kontakta den lokala myndigheten respektive kommunen eller fråga återförsäljare var det finns speciella avfallsstationer för elskrot.



Europeiskt konformitetsmärke



Brittiskt konformitetsmärke



Ukrainskt konformitetsmärke



Euroasiatiskt konformitetsmärke



TEKNISET ARVOT Akkukäyttöinen sähköhydraulinen stanssauslaitte	M18 HKP
Tuotantnumero	4560 30 03... ... 000001-999999
Jännite vaihtoakku	18 V
Nimellisvoima	60 kN
Läpimitta maks.	100 mm
Materiaalivahvuus maks. Teräkseen Ruostumaton teräs	3,0 mm 2,5 mm
Paino EPTA-meneteltyyn 01/2003 mukaan (Li-lon 2,0 Ah)	2,0 kg
Melunpäästötiedot	
Mitta-arvot määritetty EN 62841 mukaan. Koneen tyyppilinen A-luokitettu melutaso:	
Melutaso (Epävarmuus K=3dB(A))	65,8 dB (A)
Äänenvoimakkuus (Epävarmuus K=3dB(A))	76,8 dB (A)
Käytä kuulosuojaimia!	
Tärinätiedot	
Värähtelyn yhteisarvot (kolmen suunnan vektorisummittattuna EN 62841 mukaan.	
Värähtelyemissioarvo _h	1,28 m/s ²
Epävarmuus K=	1,5 m/s ²



VAROITUS!

Näissä ohjeissa mainittu värähtelytaso on mitattu EN 62841 -standardin mukaisella mittausmenetelmällä ja sitä voidaan käyttää sähkötyökalujen vertaamiseen. Sitä voidaan käyttää myös värähtelyrasituksen väliaikaiseen arviointiin. Mainittu värähtelytaso edustaa sähkötyökalun pääasiallista käyttöä. Jos sähkötyökalua kuitenkin käytetään muihin tehtäviin, poikkeavin työkaluun tai riittämättömästi huoltaen, värähtelytaso voi olla erilainen. Se voi korottaa värähtelyrasitusta koko työajan osalta. Tarkan värähtelyrasituksen toteamiseen tulee ottaa huomioon aika, jona laite on kytketty pois tai on kylkään päällä, mutta ei käytössä. Se voi pienentää värähtelyrasitusta koko työajan osalta. Määrittele lisäturvatoimenpiteitä käyttäjän suojaamiseksi värinöiden vaikutukselta, kuten esimerkiksi: sähkötyökalujen ja käyttötyökalujen huolto, käsien lämpimän pitäminen, työvaiheiden organisaatio.

VAROITUS Lue kaikki varoimenpiteet, ohjeet, kuvalliset esitykset ja tiedot, jotka toimitetaan laitteen mukana. Turvallisuusohjeiden noudattamisen laiminlyönti saattaa johtaa sähköiskuun, tulipaloon ja/tai vakavaan loukkaantumiseen.

Säilytä kaikki turvallisuus- ja muut ohjeet tulevaisuutta varten.

STANSsausLAITTEITA KOSKEVAT TURVALLISUUSOHJEET

Käytä suojavarusteita. Käytä laitteella työskennellessäsi aina suo-jalaseja. Suosittelemme suojavarusteiden käyttöä, näihin kuuluvat pölysuojanaamari, työkasineet, tukevat, listumattomat jalkineet, kypärä ja kuulosuojukset.

Älä laita käsiä tai päästä väljää vaatetusta leikkuriin ja muihin liikkuviin osiin.

Tarkasta leikkuri ennen jokaista käyttöä halkeamilta ja muilta kulu-misilta. Leikkureita ja leikkulaitteita saa käyttää vain teknisesti moitteettomassa kunnossa.

Laitetta saa käyttää vain, kun siihen on kiinnitetty leikkuri.

Tarkasta, täsmääkö leikkaimen tyynyn nimellisveveys leiman nimellisvevyeen.

Käytä työkalussa vain leimoja ja leikkaimen tyynyjä, jotka ovat sallitun maksiminimellisvoiman mukaisia. Muista voi aiheutua loukkaantumisia tai vahinkoja.

Pidä leikkuri terävänä ja puhtaana. Oikeanlainen leikkurin hoito takaa, että terävät leikkureunat takertuvat toisiinsa vähemmän ja niitä on helpompi tarkastaa.

Älä käytä sitä jännitteessä olevissa ohjauslaitteissa tai niiden läheisyydessä. Suorita töitä ainoastaan jännitettömillä ohjauslaitteilla.

Laite ei kytkä automaattisesti pois päältä, kun se saavuttaa lopu-lisen asentonsa. Päästä kytkimestä irti ja käytä lukituskytkintä, jos työskentely on päättynyt.

Päästä häiriötapaussissa puristamisen aikana PÄÄLLE-kytkimestä heti irti ja paina hydrauliiikan vapautuspainiketta. Venttiili avaa ja mäntä ajaa takaisin lähtöasemaansa.

Anna valtuutetun alan ammattikorjaamon korjata vauriot heti. Noudata annettuja huolto-ohjeita ja huoltotoiden aikavälejä.

Ota akku pois ennen kaikkia koneeseen tehtäviä toimenpiteitä.

VAROITUS! Jotta vältetään lyhytsulun aiheuttama tulipalon, loukkaantumisen tai tuotteen vahingoittumisen vaara, älä koskaan upota työkalua, vaihtoakkuja tai latauslaitetta nesteeseen ja huo-lehdi siitä, ettei mitään nesteitä pääse tunkeutumaan laitteiden tai akkujen sisään. Syövyttävät tai sähköä johtavat nesteet, kuten suolavesi, tietyt kemikaalit ja lalkaisuinneet tai valkaisuaineita sisältävät tuotteet voivat aiheuttaa lyhytsulun.

Käytä ainoastaan System M18 latauslaitetta System M18 akkujen lataukseen. Älä käytä muiden järjestelmien akkuja.

Vaihtoakkuja ja latauslaitteita ei saa avata. Säilytys vain kuivissa tiloissa. Suojattava kosteudelta.

TARKOITUKSEN MUKAINEN KÄYTTÖ

Akkukäyttöistä sähköhydraulista stanssauslaitetta saa käyttää vain teräksen ja ruostumattoman teräksen leikkaamiseen niihen tarkoitetuilla leimoilla ja leikkaimen tyynyillä.

AKKU

Pitkään käyttämättä olleet vaihtoakut on ladattava ennen käyttöä. Yli 50°C lämpötilassa akun suorituskyky heikkenee. Välttäähän akkujen säilyttämistä auringossa tai kuivissa tiloissa.

Pidä aina latauslaitteen ja akun kosketinpinnat puhtaina.

Optimaalisen käyttöiän saavuttamiseksi akut on ladattava täyteen käytön jälkeen.

Mahdollisimman pitkän elinajan takaamiseksi akut tulee poistaa laturista lataamisen jälkeen.

Akkuja yli 30 päivää säilytettäessä: Säilytä akku yli 27 °C:ssa ja kuivassa. Säilytä akku sen latauksen ollessa 30 % - 50 %. Lataa akku 6 kuukauden välein uudelleen.

Käytettyjä vaihtoakkuja ei saa polttaa eikä poistaa normaalin jätehuollon kautta. Milwaukeella on tarjolla vanhoja vaihtoakkuja varten ympäristöystävällinen jätehuoltopalvelu.

Vaihtoakkuja ei saa säilyttää yhdessä metalliesineiden kanssa (oikosulkuvaara).

Vaurioituneesta akusta saattaa erityisen kovassa käytössä tai poikkeavassa lämpötilassa vuotaa akkuhappoa. Ihonkohta, joka on joutunut kosketukseen akkuhapon kanssa on viipymättä pestävä vedellä ja saippualla. Silmä, johon on joutunut akkuhappoa, on huuhdeltava vedellä vähintään 10 minuutin ajan, jonka jälkeen on viipymättä hakeuduttava lääkärin apuun.

On varottava, ettei latauslaitteiden vaihtoakkulatauskoloon joudu metalliesineitä (oikosulkuvaara).

LITIUMI-IONIAKKUJEN KULJETTAMINEN

Litiumi-ioniakut kuuluvat vaarallisten aineiden kuljetuksesta annettujen lakien piiriin.

Näiden akkujen kuljettaminen täytyy suorittaa noudattaen paikallisia, kansallisia ja kansainvälisiä määräyksiä ja säädöksiä.

Kuluttajat saavat ilman muuta kuljettaa näitä akkuja teitä pitkin.

Kaupallisessa kuljetuksessa huolintaliikkeiden täytyy kuljettaa litiumi-ioniakkuja vaarallisten aineiden kuljetuksesta annettujen määräysten mukaisesti. Ainoastaan tähän vastaavasti koulutetut henkilöt saavat suorittaa kuljetuksen valmistelutoimet ja itse kuljetuksen. Koko prosessia tulee valvoa asiantuntevasti.

Seuraavat kohdat tulee huomioida akkuja kuljetettaessa:

Varmista, että akkujen kontaktit on suojattu ja eristetty, jotta vältetään lyhytsulut. Huolehdi siitä, ettei akkusarja voi luiskahtaa paikaltaan pakkauksen sisällä. Vahingoittuneita tai vuotavia akkuja ei saa kuljettaa. Pyydä tarkemmat tiedot huolintaliikkeeltäsi.

HUOLTO

Pidä moottorin ilmanottoaukot puhtaina.

Huolto on suoritettava vähintään vuosittain tai 5 000 käyttökerran jälkeen.

Kuluneet leikkurit on vaihdettava uusiin.

Vain valtuutetut alan ammattikorjaamot saavat suorittaa huolto- ja kunnossapitotyöt

Laitte sisältää hydraulioöljyä, joka on vaarallista pohjavedelle.

Valvomaton poislaskeminen tai asiantuntematon hävittäminen on rangaistava teko.

Käytä ainoastaan Milwaukee lisätarvikkeita ja Milwaukee varaosia. Mikäli jokin komponentti, jota ei ole kuvailtu, tarvitsee vaihtoa ota yhteys johonkin Milwaukee palvelupisteistä (kts. listamme takuuhuoltoliikkeiden/ palvelupisteiden osoitteista)

Tarpeen vaatiessa voit pyytää lähettämään laitteen kokoonpanopiirustuksen ilmoittamalla arvokilven numeron seuraavasta osoitteesta: Techtronic Industries GmbH, Max-Eyth-Straße 10, 71364 Winnenden, Germany.

TODISTUS CE-STANDARDIN MUKAISUUDESTA

Vakuutamme täten olevamme yksin vastuussa siitä, että kohdassa "Tekniset tiedot" kuvattu tuote vastaa kaikkia direktiivien merkityksellisiä säädöksiä

2011/65/EU (RoHS)

2006/42/EY

2014/30/EU

ja seuraavia yhdenmukaistettuja standardeja on käytetty.

EN 62841-1:2015

EN 55014-1:2017+A11:2020

EN 55014-2:2015

EN IEC 63000:2018



Winnenden, 2020-11-26

Alexander Krug / Managing Director

Valtuutettu kokoamaan tekniset dokumentit.

Techtronic Industries GmbH

Max-Eyth-Straße 10, 71364 Winnenden, Germany

SYMBOLIT



HUOMIO! VAROITUS! VAARA!



Lue käyttöohjeet huolellisesti, ennen koneen käynnistämistä.



Käytä laitteella työskennellessäsi aina suojalaseja.



Sähköiskun vaara



Älä laita käsiä leikkuriin ja muihin liikkuviin osiin. Sormet voivat joutua leikkurin mekanismiin sekä voivat vahingoittaa tai leikkaantua irti.



Ota akku pois ennen kaikkia koneeseen tehtäviä toimenpiteitä.



Lisälaite - Ei sisälly vakiovarustukseen, saatavana lisätarvikkeena.



Sähkölaitteita ei saa hävittää yhdessä kotitalousjätteiden kanssa. Sähkö- ja elektroniset laitteet tulee kerätä erikseen ja toimittaa kierrätysliikkeeseen ympäristöystävällistä hävittämistä varten. Pyydä paikallisilta viranomaisilta tai alan kauppiailta tarkemmat tiedot kierrätyspisteistä ja keräyspaikoista.



Euroopan säännön mukaisuusmerkki



Britannian säännön mukaisuusmerkki



Ukrainan säännön mukaisuusmerkki



Euraasian säännön mukaisuusmerkki



ΤΕΧΝΙΚΑ ΣΤΟΙΧΕΙΑ Ηλεκτροϋδραυλικός στιγέας μπαταρίας	M18 HKP
Αριθμός παραγωγής	4560 30 03... ... 000001-999999
Τάση ανταλλακτικής μπαταρίας	18 V
Ονομαστική δύναμη	60 kN
Διάμετρος Μέγ.	100 mm
Πάχος υλικού Μέγ. Χάλυβας Ανοξείδωτος χάλυβας	3,0 mm 2,5 mm
Βάρος σύμφωνα με τη διαδικασία EPTA 01/2003 (Li-Ion 2,0 Ah)	2,0 kg
Πληροφορίες θορύβου Τιμές μέτρησης εξακριβωμένες κατά EN 62841. Η σύμφωνα με την καμπύλη A εκτιμηθείσα στάθμη θορύβου του μηχανήματος αναφέρεται σε:	
Στάθμη ηχητικής πίεσης (Ανασφάλεια K=3dB(A))	65,8 dB (A)
Στάθμη ηχητικής ισχύος (Ανασφάλεια K=3dB(A))	76,8 dB (A)
Φοράτε προστασία ακοής (ωτασπίδες)!	
Πληροφορίες δονήσεων Υλικές τιμές κραδασμών (άθροισμα διανυσμάτων τριών διευθύνσεων) εξακριβώθηκαν σύμφωνα με τα πρότυπα EN 62841.	
Τιμή εκπομπής δονήσεων _a	1,28 m/s ²
Ανασφάλεια K=	1,5 m/s ²



ΥΠΟΔΕΙΞΕΙΣ ΑΣΦΑΛΕΙΑΣ ΓΙΑ ΣΤΙΓΕΙΣ

Χρησιμοποιείτε προστατευτικό εξοπλισμό. Στις εργασίες με τη μηχανή φοράτε πάντοτε προστατευτικά γυαλιά. Συνιστούμε επίσης προστατευτική ενδυμασία όπως επίσης μάσκα προστασίας αναπνοής, προστατευτικά γάντια, σταθερά και ασφαλή στην ολίσθηση υποδήματα, κράνος και ωτασπίδες.

Διατηρείτε τα χέρια και τα φαροδιά ρούχα μακριά από εργαλεία κοπής και άλλα κινούμενα εξαρτήματα.

Ελέγχετε τα εργαλεία κοπής για ενδεχόμενες ενδείξεις σχισμών ή άλλων φθορών, πριν από κάθε χρήση. Χρησιμοποιείτε τα εργαλεία και τα μηχανήματα κοπής μόνο, εφόσον βρίσκονται σε τεχνικά άρτια κατάσταση.

Το μηχανήμα μπορεί να χρησιμοποιηθεί μόνο, εφόσον έχει τοποθετηθεί το εργαλείο κοπής.

Ελέγξτε εάν συμφωνεί η ονομαστική εσωτερική διάμετρος της μήτρας με την ονομαστική εσωτερική διάμετρο του στιγέα.

Χρησιμοποιείτε το μηχανήμα μόνο σε στιγείς και μήτρες που έχουν εγκριθεί για τη μέγιστη ονομαστική δύναμη. Στην αντίθετη περίπτωση ενέχει κίνδυνο τραυματισμών και υλικών ζημιών.

Διατηρείτε τα εργαλεία κοπής αιχμηρά και καθαρά. Τα ορθά συντηρημένα εργαλεία κοπής, με αιχμηρές άκρες κοπής, παθαίνουν λιγότερες εμπλοκές και είναι ευκολότερα στον έλεγχο τους.

Να μη χρησιμοποιούνται σε ή κοντά σε κιβώτια χειρισμού που βρίσκονται υπό τάση. Εργάζεστε μόνο σε κιβώτια χειρισμού που είναι απενεργοποιημένα και δε βρίσκονται τάση.

Το μηχανήμα δεν απενεργοποιείται αυτόματα, κατόπιν επίτευξης της τελικής θέσης. Μόλις ολοκληρωθεί η εργασία, απελευθερώστε το διακόπτη και πιέστε το διακόπτη απασφάλισης.

Σε περίπτωση δυσλειτουργιών κατά τη διαδικασία συμπίεσης, απελευθερώστε αμέσως το διακόπτη ON και πιέστε το κουμπί απασφάλισης του υδραυλικού συστήματος. Η βαλβίδα ανοίγει και ο κλινδρός γυρνάει στην αρχική του θέση.

Σε περίπτωση βλάβης επισκευάστε τα άμεσα σε ένα εξουσιοδοτημένο συνεργείο.

Τηρείστε οπωσδήποτε τις προθεσμίες και τα διαστήματα συντήρησης.

Πριν από κάθε εργασία στη μηχανή αφαιρείτε την ανταλλακτική μπαταρία.

ΠΡΟΕΙΔΟΠΟΙΗΣΗ! Για να αποτρέψετε τον κίνδυνο πυρκαγιάς λόγω βραχυκυκλώματος, τραυματισμούς ή ζημιές του προϊόντος, να μη βυθίζετε το εργαλείο, τον ανταλλακτικό συσσωρευτή ή τη συσκευή φόρτισης σε υγρά και να φροντίζετε, ώστε να μη διεισδύουν υγρά στις συσκευές και τους συσσωρευτές. Διαβρωτικές ή αγώγιμες υγρές ουσίες, όπως αλατόνερο, ορισμένες χημικές ουσίες και λευκαντικά ή προϊόντα που περιέχουν λευκαντικά, μπορεί να προκαλέσουν βραχυκύκλωμα.

Φορτίζετε τις ανταλλακτικές μπαταρίες του συστήματος M18 μόνο με φορτιστές του συστήματος M18. Μη φορτίζετε μπαταρίες από άλλα συστήματα.

Μην ανοίγετε τις ανταλλακτικές μπαταρίες και τους φορτιστές και χρησιμοποιείτε για αποθήκευση μόνο στεγνούς χώρους. Προστατεύετε τις ανταλλακτικές μπαταρίες και τους φορτιστές από την υγρασία.

ΧΡΗΣΗ ΣΥΜΦΩΝΑ ΜΕ ΤΟ ΣΚΟΠΟ ΠΡΟΟΡΙΣΜΟΥ

Ο ηλεκτροϋδραυλικός στιγέας μπαταρίας μπορεί να χρησιμοποιηθεί μόνο για την κοπή σε χάλυβα και ανοξείδωτο χάλυβα, με χρήση των κατάλληλων μητρών και στιγένων.

ΠΡΟΕΙΔΟΠΟΙΗΣΗ!

Το αναφερόμενο σ' αυτές τις οδηγίες επίπεδο δονήσεων έχει μετρηθεί με μια τυποποιημένη σύμφωνα με το EN 62841 μέθοδο μέτρησης και μπορεί να χρησιμοποιηθεί για τη σύγκριση των ηλεκτρικών εργαλείων μεταξύ τους. Αυτό είναι επίσης κατάλληλο για μια προσωρινή εκτίμηση της επιβάρυνση των δονήσεων.

Το αναφερόμενο επίπεδο δονήσεων αντιπροσωπεύει τις κύριες χρήσεις του ηλεκτρικού εργαλείου. Εάν όμως το ηλεκτρικό χρησιμοποιείται σε άλλες χρήσεις, με διαφορετικά εργαλεία εφαρμογής ή ανεπαρκή συντήρηση, μπορεί να υπάρξει απόκλιση του επιπέδου δονήσεων. Αυτό μπορεί να αυξήσει σημαντικά την επιβάρυνση των δονήσεων για τη συνολική διάρκεια της εργασίας. Για μια ακριβή εκτίμηση της επιβάρυνσης των δονήσεων οφείλουν επίσης να λαμβάνονται υπόψη οι χρόνοι, στους οποίους η συσκευή είναι απενεργοποιημένη ή είναι μεν ενεργοποιημένη αλλά δεν χρησιμοποιείται πραγματικά. Αυτό μπορεί να μειώσει σημαντικά την επιβάρυνση των δονήσεων για τη συνολική διάρκεια της εργασίας. Καθορίστε πρόσθετα μέτρα ασφαλείας για την προστασία του χειριστή από την επίδραση των δονήσεων όπως για παράδειγμα: Συντήρηση του ηλεκτρικού εργαλείου και των εργαλείων εφαρμογής, διατηρείτε ζεστά τα χέρια, οργάνωση των διαδικασιών εργασίας.



ΠΡΟΕΙΔΟΠΟΙΗΣΗ Διαβάστε όλες τις υποδείξεις ασφαλείας, τις οδηγίες, τις εικόνες και τα δεδομένα, τα οποία θα λάβετε μαζί με το μηχανήμα. Αμελείες κατά την τήρηση των προειδοποιητικών υποδείξεων μπορεί να προκαλέσουν ηλεκτροπληξία, κίνδυνο πυρκαγιάς ή/και σοβαρούς τραυματισμούς. **Φυλάξτε όλες τις προειδοποιητικές υποδείξεις και οδηγίες για κάθε μελλοντική χρήση.**

ΜΠΑΤΑΡΙΕΣ

Επαναφορτίζετε τις ανταλλακτικές μπαταρίες που δεν έχουν χρησιμοποιηθεί για μεγαλύτερο χρονικό διάστημα πριν τη χρήση. Μια θερμοκρασία πάνω από 50°C μειώνει την ισχύ της ανταλλακτικής μπαταρίας. Αποφεύγετε τη θέρμανση για μεγαλύτερο χρονικό διάστημα από τον ήλιο ή τις συσκευές θέρμανσης.

Διατηρείτε τις επαφές σύνδεσης στο φορτιστή και στην ανταλλακτική μπαταρία καθαρές.

Για μια άριστη διάρκεια ζωής πρέπει μετά τη χρήση οι μπαταρίες να φορτιστούν πλήρως.

Για μια κατά το δυνατόν μεγάλη διάρκεια ζωής οι μπαταρίες μετά τη φόρτιση οφείλουν να αφαιρεθούν από το φορτιστή.

Για την αποθήκευση της μπαταρίας για διάστημα μεγαλύτερο των 30 ημερών: Αποθηκεύετε τη μπαταρία περ. στους 27°C σε στεγνό χώρο. Αποθηκεύετε τη μπαταρία περ. στο 30%-50% της κατάστασης φόρτισης. Κάθε 6 μήνες φορτίζετε εκ νέου τη μπαταρία.

Μην πετάτε τις μεταχειρισμένες ανταλλακτικές μπαταρίες στη φωτιά ή στα οικιακά απορρίμματα. Η Milwaukee προσφέρει μια απόσυρση των παλιών ανταλλακτικών μπαταριών σύμφωνα με τους κανόνες προστασίας του περιβάλλοντος, ρωτήστε παρακαλώ σχετικά στο ειδικό κατάστημα πώλησης.

Μην αποθηκεύετε τις ανταλλακτικές μπαταρίες μαζί με μεταλλικά αντικείμενα (κίνδυνος βραχυκυκλώματος).

Όταν υπάρχει υπερβολική καταπόνηση ή υψηλή θερμοκρασία μπορεί να τρέξει υγρό μπαταρίας από τις χαλασμένες επαναφορτιζόμενες μπαταρίες. Αν έρθετε σε επαφή με υγρό μπαταρίας να πλυθείτε αμέσως με νερό και σαπούνι. Σε περίπτωση επαφής με τα μάτια να πλυθείτε σχολαστικά για τουλάχιστον 10 λεπτά και να αναζητήσετε αμέσως ένα γιατρό.

Στη θήκη υποδοχής των ανταλλακτικών μπαταριών του φορτιστή δεν επιτρέπεται να φθάνουν μεταλλικά αντικείμενα (κίνδυνος βραχυκυκλώματος).

ΜΕΤΑΦΟΡΑ ΤΩΝ ΜΠΑΤΑΡΙΩΝ ΙΟΝΤΩΝ ΛΙΘΙΟΥ

Οι μπαταρίες ιόντων λιθίου υπόκεινται στις απαιτήσεις των νομικών διατάξεων για την μεταφορά επικινδύνων εμπορευμάτων.

Η μεταφορά τέτοιων μπαταριών πρέπει να πραγματοποιείται τηρώντας τους τοπικούς, εθνικούς και διεθνείς κανονισμούς και τις αντίστοιχες διατάξεις.

Επιτρέπεται η μεταφορά τέτοιων μπαταριών στο δρόμο χωρίς περαιτέρω απαιτήσεις.

Η εμπορική μεταφορά μπαταριών ιόντων λιθίου από εταιρείες μεταφορών υπόκειται στις απαιτήσεις των νομικών διατάξεων για την μεταφορά επικινδύνων εμπορευμάτων. Οι προετοιμασίες αποστολής και η μεταφορά πραγματοποιούνται αποκλειστικά από ειδικά εκπαιδευμένα πρόσωπα. Η συνολική διαδικασία συνοδεύεται από εξειδικευμένο προσωπικό.

Κατά τη μεταφορά μπαταριών ιόντων λιθίου πρέπει να προσέχετε τα εξής:

Φροντίστε τα σημεία επαφών να είναι προστατευμένα και μονωμένα ώστε να αποφευχθούν βραχυκυκλώματα. Προσέξτε το πακέτο μπαταριών να είναι σταθερό μέσα στη συσκευασία και να μη γλιστρά. Η μεταφορά μπαταριών που παρουσιάζουν φθορές ή διαρροές δεν επιτρέπεται. Για περισσότερες πληροφορίες απευθυνθείτε στην εταιρεία μετάφορων.

ΣΥΝΤΗΡΗΣΗ

Διατηρείτε πάντοτε τις σχισμές εξαερισμού της μηχανής καθαρές. Απαιτείται συντήρηση τουλάχιστον μια φορά το χρόνο ή μετά από κάθε 5.000 διαδικασίες κοπής.

Αντικαθιστάτε τα φθαρμένα εργαλεία κοπής.

Οι εργασίες συντήρησης και επισκευής επιτρέπεται να διεξάγονται μόνο από εξειδικευμένα συνεργεία.

Η συσκευή περιέχει υδραυλικό λάδι που χρησιμοποιείται το οποίο αποτελεί κίνδυνο για τα υπόγεια ύδατα. Η ανεξέλεγκτη απόρριψη και η λανθασμένη διάθεση τιμωρούνται.

Χρησιμοποιείτε μόνο αξεσουάρ Milwaukee και ανταλλακτικά Milwaukee. Εξαρτήματα, που η αλλαγή τους δεν περιγράφεται, αντικαθιστώνται σε μια τεχνική υποστήριξη της Milwaukee (βλέπε φυλλάδιο εγγύηση/ διευθύνσεις τεχνικής υποστήριξης).

Όταν χρειάζεται, μπορείτε να ζητήσετε ένα σχέδιο συναρμολόγησης της συσκευής, δίνοντας τον τύπο της μηχανής και αριθμό στην πινακίδα ισχύος, από το κέντρο σέρβις ή απευθείας από τη φίρμα Techronic Industries GmbH, Max-Eyth-Strasse 10, 71364 Winnenden, Germany.

ΔΗΛΩΣΗ ΠΙΣΤΟΤΗΤΑΣ EK

Δηλώνουμε με αποκλειστική μας ευθύνη, ότι το προϊόν που περιγράφεται στα «Τεχνικά Χαρακτηριστικά» συμμορφώνεται με όλες τις σχετικές διατάξεις των οδηγιών

2011/65/EE (RoHS)

2006/42/ΕΚ

2014/30/ΕΕ

και έχουν εφαρμοστεί τα ακόλουθα εναρμονισμένα πρότυπα

EN 62841-1:2015

EN 55014-1:2017+A11:2020

EN 55014-2:2015

EN IEC 63000:2018



Winnenden, 2020-11-26

Alexander Krug / Managing Director
Εξουσιοδοτημένος να συντάξει τον τεχνικό φάκελο.
Techronic Industries GmbH
Max-Eyth-Strasse 10, 71364 Winnenden, Germany



ΣΥΜΒΟΛΑ



ΠΡΟΣΟΧΗ! ΠΡΟΕΙΔΟΠΟΙΗΣΗ! ΚΙΝΔΥΝΟΣ!



Παρακαλώ διαβάστε σχολαστικά τις οδηγίες χρήσης πριν από την έναρξη λειτουργίας.



Στις εργασίες με τη μηχανή φοράτε πάντοτε προστατευτικά γυαλιά.



Κίνδυνος ηλεκτροπληξίας



Διατηρείτε τα χέρια μακριά από το εργαλείο κοπής και άλλα κινούμενα εξαρτήματα. Ενέχει κίνδυνο εγκλωβισμού των δακτύλων στο μηχανισμό κοπής, με συνέπεια την αποκοπή ή τον τραυματισμό τους.



Πριν από κάθε εργασία στη μηχανή αφαιρείτε την ανταλλακτική μπαταρία.



Εξαρτήματα - Δεν περιλαμβάνονται στα υλικά παράδοσης, συστατούμενη προσθήκη από το πρόγραμμα εξαρτημάτων.



Ηλεκτρικά μηχανήματα δεν επιτρέπεται να απορρίπτονται μαζί με τα οικιακά απορρίμματα. Ηλεκτρικά και ηλεκτρονικά μηχανήματα συλλέγονται ξεχωριστά και παραδίδονται προς ανακύκλωση με τρόπο φιλικό προς το περιβάλλον σε επιχείρηση επεξεργασίας απορριμμάτων. Ενημερωθείτε από τις τοπικές υπηρεσίες ή από ειδικευμένους εμπόρους σχετικά με κέντρα ανακύκλωσης και συλλογής απορριμμάτων.



Ευρωπαϊκό σήμα πιστότητας



Βρετανικό σήμα πιστότητας



Ουκρανικό σήμα πιστότητας



Ευρασιατικό σήμα πιστότητας



TEKNİK VERİLER	M18 HKP
Pille çalışan elektro-hidrolik zımba	
Üretim numarası	4560 30 03... ... 000001-999999
Kartuş akü gerilimi	18 V
Pres Kuvveti	60 kN
Çap Maks.	100 mm
Malzeme kalınlığı Maks.	
Çelikte	3,0 mm
Paslanmaz çelik	2,5 mm
Ağırlığı ise EPTA-üretici 01/2003'e göre (Li-Ion 2,0 Ah)	2,0 kg
Gürültü bilgileri	
Ölçüm değerleri EN 62841 e göre belirlenmektedir. Aletin, frekansa bağımlı uluslararası ses basıncı seviyesi değerlendirme eğrisi A'ya göre tipik gürültü seviyesi:	
Ses basıncı seviyesi (Tolerans K=3dB(A))	65,8 dB (A)
Akustik kapasite seviyesi (Tolerans K=3dB(A))	76,8 dB (A)
Koruyucu kulaklık kullanın!	
Vibrasyon bilgileri	
Toplam titreşim değeri (üç yönün vektör toplamı) EN 62841'e göre belirlenmektedir:	
titreşim emisyon değeri _h	1,28 m/s ²
Tolerans K=	1,5 m/s ²

UYARI!

Bu talimatlarda belirtilen titreşim seviyesi, EN 62841 standardına uygun bir ölçme metodu ile ölçülmüştür ve elektrikli el aletleri birbirleriyle karşılaştırmak için kullanılabilir. Ölçüm sonuçları ayrıca titreşim yükünün geçici değerlendirmesi için de uygundur. Belirtilen titreşim seviyesi, elektrikli el aletinin genel uygulamaları için geçerlidir. Ancak elektrikli el aleti başka uygulamalar için, farklı eklenti parçalarıyla ya da yetersiz bakım koşullarında kullanılırsa, titreşim seviyesi farklılık gösterebilir. Bu durumda, titreşim yükü toplam çalışma zamanı aralığı içerisinde belirgin ölçüde yükselebilir. Titreşim yükünün tam bir değerlendirmesi için ayrıca cihazın kapalı olduğu süreler ve cihazın çalışır durumda olduğu, ancak gerçek kullanımda bulunmadığı süreler de dikkate alınmalıdır. Böylelikle, toplam çalışma zamanı aralığı boyunca meydana gelen titreşim yükü belirgin ölçüde azaltılabilir. Kullanıcıyı titreşimlerin etkisinden korumak üzere, örneğin elektrikli el aletlerinin ve eklenti parçalarının bakımı, ellerin sıcak tutulması ve iş akışlarının organizasyonu gibi ek güvenlik tedbirleri belirleyiniz.

UYARI Cihazla birlikte gelen tüm güvenlik uyarılarını, talimatları, çizimleri ve bilgileri okuyun. Açıklanan uyarılara ve talimat hükümlerine uyulmadığı takdirde elektrik çarpmalarına, yangınlara ve/veya ağır yaralanmalara neden olunabilir. **Bütün uyarıları ve talimat hükümlerini ileride kullanmak üzere saklayın.**

ZIMBALAR İÇİN GÜVENLİK BİLGİLERİ

Koruma teçhizatı kullanın. Aletle çalışırken daima koruyucu gözlük kullanın. Koruyucu elbise ve tozlardan korunma maskesi, emniyet eldivenleri ve sağlam ve kaymaya mukavim ayakkabı giyin. Başlık ve kulaklık tavsiye edilir.

Elleri ve sarkan gıysileri kesici aletlerden ve diğer hareketli parçalardan uzak tutun.

Her kullanımdan önce, kesici aletleri çatlaklara ve diğer aşınma belirtilerine karşı kontrol edin. Sadece teknik olarak kusursuz durumdaki kesici alet ve cihazları kullanın.

Cihaz sadece kesici alet takılıyken kullanılabilir.

Kalıp nominal genişliğinin zımba nominal genişliğiyle uyuşup uyuşmadığını kontrol edin.

Aleti sadece maks. nominal güç için izin verilen zımba ve kalıplarla birlikte kullanın. Aksi takdirde yaralanma ve hasar meydana gelebilir.

Kesici aletleri keskin ve temiz tutun. Keskin kenarlara sahip, bakımı doğru yapılmış kesici aletler daha az sıkışır ve daha kolay kullanılır.

Gerilim altındaki şalter kutularının içinde ya da yakınında kullanmayın. Sadece gerilimsiz şalter kutularında çalışma yapın.

Cihaz son konuma ulaştıktan sonra otomatik olarak kapanmaz. Çalışma tamamlandığında şalteri serbest bırakın ve açma şalterine basın.

Pres işlemi sırasında herhangi bir arıza meydana gelirse AÇIK şalterini serbest bırakın ve hidrolik kilit açma düğmesine basın. Valf açılır ve piston bağlantıç kodnumuna geri hareket eder.

Hasarları derhal yetkili bir tamirhaneye tamir ettiriniz.

Bakım ve bakım aralıklarına mutlaka uyunuz.

Aletin kendinde bir çalışma yapmadan önce kartuş aküyü çıkarın.

UYARI! Bir kısa devreden kaynaklanan yangın, yaralanma veya ürün hasarları tehlikesini önlemek için aleti, güç paketini veya şarj cihazını asla sıvıların içine daldırmayınız ve cihazların ve pillerin içine sıvı girmesini önleyiniz. Tuzlu su, belirli kimyasallar, ağartıcı madde veya ağartıcı madde içeren ürünler gibi korozyif veya iletken sıvılar kısa devreye neden olabilir.

M18 sistemli kartuş aküleri sadece M18 sistemli şarj cihazları ile şarj edin. Başka sistemli aküleri şarj etmeyin.

Kartuş aküleri ve şarj cihazını açmayın ve sadece kuru yerlerde saklayın. Neme ve ıslanmaya karşı koruyun.

KULLANIM

Pille çalışan elektro-hidrolik zımba sadece öngörülmesi olan zımba ve kalıplarla çelik ve paslanmaz çelik kesimi için kullanılabilir.

AKÜ

Uzun süre kullanımdan dışı kalmış kartuş aküleri kullanmadan önce şarj edin. 50°C üzerindeki sıcaklıklar kartuş akünün performansını düşürür. Akünün güneş ışığı veya mekân sıcaklığı altında uzun süre ısınmamasına dikkat edin.

Şarj cihazı ve kartuş aküdeki bağlantı kontaklarını temiz tutun.

Akünün ömrünün mükemmel bir şekilde uzun olması için kullandıktan sonra tamamen doldurulması gerekir.

Ömrünün mümkün olduğu kadar uzun olması için akülerin yüklem yapıldıktan sonra doldurma cihazından uzaklaştırılması gerekir.

Akünün 30 günden daha fazla depolanması halinde: Aküyü yaklaşık 27°C'de kuru olarak depolayın. Aküyü yüklem durumunun takriben % 30 - %50 olarak depolayın. Aküyü her 6 ay yeniden doldurun.

Kullanılmış kartuş aküleri ateşe veya ev çöplerine atmayın. Mil-waukee, kartuş akülerin çevreye zarar vermeyecek biçimde tasfiye edilmesine olanak sağlayan hizmet sunar; lütfen bu konuda yetkili satıcımızdan bilgi alın.

Kartuş aküleri metal parça veya eşyalarla birlikte saklamayın (kısa devre tehlikesi).

Aşırı zorlanma veya aşırı ısınma sonucu hasar gören kartuş akülerden batarya sıvısı dışarı akabilir. Batarya sıvısı ile temasa gelen yeri hemen bol su ve sabunla yıkayın. Batarya sıvısı gözüne



Tür

kaçacak olursa en azından 10 dakika yıkayın ve zaman geçirmeden bir hekime başvurun.

Şarj cihazının kartuş akü yuvasına hiçbir şekilde metal parçalar kaçmamalıdır (kısa devre tehlikesi).

LİTYUM İYON PİLLERİN TAŞINMASI

Lityum iyon piller tehlikeli madde taşımacılığı hakkındaki yasal hükümler tabidir.

Bu piller, bölgesel, ulusal ve uluslararası yönetmeliklere ve hükümlere uyularak taşınmak zorundadır.

Tüketiciler bu pilleri herhangi bir özel şart aranmaksızın karayoluyla taşıyabilirler.

Lityum iyon pillerin nakliye şirketleri tarafından ticari taşımacılığı için tehlikeli madde taşımacılığının hükümleri geçerlidir. Sevk hazırlığı ve taşıma sadece ilgili eğitimi görmüş personel tarafından gerçekleştirilebilir. Bütün süreç uzmanca bir refakatçilik altında gerçekleştirilmek zorundadır.

Pillerin taşınması sırasında aşağıdaki hususlara dikkat edilmesi gerekmektedir:

Kısa devre oluşmasını önlemek için kontakların korunmuş ve izole edilmiş olarak boşaltılması veya usulüne uygun olmayacak şekilde imha edilmesi cezalandırılır.

BAKIM

Aletin havalandırma aralıklarını daima temiz tutun.

En az senede bir kez ya da 5.000 kesme işleminin ardından bakım uygulanmalıdır.

Aşınmış kesici aletleri değiştirin.

Bakım ve tamir işleri sadece yetkili tamirhaneler tarafından yapılabilir.

Cihaz, yeraltı suları için bir tehlike oluşturan hidrolik yağ içermektedir. Kontrolsüz olarak boşaltılması veya usulüne uygun olmayacak şekilde imha edilmesi cezalandırılır.

Sadece Milwaukee aksesuarı ve yedek parçası kullanın. Nasıl değiştirileceği açıklanmamış olan yapı parçalarını bir Milwaukee müşteri servisinde değiştirin (Garanti ve servis adresi broşürüne dikkat edin).

Gerektiği takdirde aletin günlük görünüş şeması, alet tipinin ve tip etiketi üzerindeki sayının bildirilmesi koşuluyla müşteri servisinden veya doğrudan Techtronic Industries GmbH, Max-Eyth-Straße 10, 71364 Winnenden, Germany adresinden istenebilir.

CE UYGUNLUK BEYANI

"Teknik veriler" başlığı altında tanımlanan ürünün, sayılı direktiflerdeki tüm hükümleri

2011/65/EU (RoHS)

2006/42/EC

2014/30/EU

uyumlaştırılmış standartları

EN 62841-1:2015

EN 55014-1:2017+A11:2020

EN 55014-2:2015

EN IEC 63000:2018



Winnenden, 2020-11-26

Alexander Krug / Managing Director

Teknik evrakları hazırlamakla görevlendirilmiştir.

Techtronic Industries GmbH

Max-Eyth-Straße 10, 71364 Winnenden, Germany

SEMBOLLER



DİKKAT! UYARI! TEHLİKE!



Lütfen aleti çalıştırmadan önce kullanma kılavuzunu dikkatli biçimde okuyun.



Aletle çalışırken daima koruyucu gözlük kullanın.



Elektrik çarpması tehlikesi



Elleri kesici aletten ve diğer hareketli parçalardan uzak tutun. Parmaklar kesme mekanizmasına yakalanarak kopabilir ya da yaralanabilir.



Aletin kendinde bir çalışma yapmadan önce kartuş aküyü çıkarın.



Aksesuar - Teslimat kapsamında değildir, önerilen tamamlayıcı aksesuar programında.



Elektrikli cihazların evsel atıklarla birlikte bertaraf edilmesi yasaktır. Elektrikli ve elektronik cihazlar ayrılarak biriktirilmeli ve çevreye zarar vermeden bertaraf edilmeleri için bir atık değerlendirme tesisine götürülmelidirler. Yerel makamlara veya satıcınıza geri dönüşüm tesisleri ve atık toplama merkezlerinin yerlerini danışın.



Avrupa uyumluluk işareti



Britanya uyumluluk işareti



Ukrayna uyumluluk işareti



Avrasya uyumluluk işareti

TECHNICKÁ DATA Elektro-hydraulické lisovadlo poháněné bateriemi	M18 HKP
Výrobní číslo	4560 30 03... ... 000001-999999
Napětí výměnného akumulátoru	18 V
Jmenovitá síla	60 kN
Průměr max.	100 mm
Tloušťka materiálu max. Ocel Ušlechtilá ocel	3,0 mm 2,5 mm
Hmotnost podle prováděcího předpisu EPTA 01/2003 (Li-Ion 2,0 Ah)	2,0 kg
Informace o hluku	
Naměřené hodnoty odpovídají EN 62841. V třídě A posuzovaná hladina hluku přístroje činí typicky:	
Hladina akustického tlaku (Kolísavost K=3dB(A))	65,8 dB (A)
Hladina akustického výkonu (Kolísavost K=3dB(A))	76,8 dB (A)
Použijte chrániče sluchu!	
Informace o vibracích	
Celkové hodnoty vibrací (vektorový součet tří směrů) zjištěné ve smyslu EN 62841.	
Hodnota vibračních emisí _h	1,28 m/s ²
Kolísavost K=	1,5 m/s ²

VAROVÁNÍ!

Úroveň chvění uvedená v tomto návodu byla naměřena podle metody měření stanovené normou EN 62841 a může být použita pro porovnání elektrického nářadí. Hodí se také pro průběžný odhad zatížení chvěním.

Uvedená úroveň chvění představuje hlavní účely použití elektrického nářadí. Jestliže se ale elektrické nářadí používá pro jiné účely, s odlišnými nástroji nebo s nedostatečnou údržbou, může se úroveň chvění odlišovat. To může značně zvýšit zatížení chvěním během celé pracovní doby.

Pro přesný odhad zatížení chvěním se musí také zohlednit čas, během kterých je přístroj vypnutý nebo kdy je sice v chodu, ale skutečně se s ním nepracuje. To může zatížení chvěním během celé pracovní doby značně snížit.

Stanovte doplňková bezpečnostní opatření pro ochranu obsluhy před účinky chvění jako například: technická údržba elektrického nářadí a nástrojů, udržování teploty rukou, organizace pracovních procesů.



VAROVÁNÍ Přečtěte si všechny bezpečnostní pokyny, instrukce, popisy a údaje, které obdržíte s přístrojem.

Zanedbání při dodržování varovných upozornění a pokynů mohou mít za následek úder elektrickým proudem, požár a ebo těžká poranění.

Všechna varovná upozornění a pokyny do budoucna uschovejte.



BEZPEČNOSTNÍ POKYNY PRO LISOVADLA

Použijte ochranné vybavení. Při práci se strojem neustále nosit ochranné brýle. Doporučujeme rovněž použití součástí ochranného oděvu a ochranné obuvi, jako protiprašné masky, ochranných rukavic, pevné a nekouzlující obuvi, ochranné přilby a ochrany sluchu.

Ruce a volné oblečení mějte v dostatečné vzdálenosti od řezacích nástrojů a jiných pohyblivých dílů.

Před použitím zkontrolujte řezací nástroje a přístroje na trhliny a jiná opotřebení. Řezací nástroje a přístroje používejte pouze v technicky bezvadném stavu.

Přístroj se smí používat pouze s nasazeným řezacím nástrojem.

Zkontrolujte, zda jmenovitá šířka lisovnice souhlasí s jmenovitou šířkou lisovacího razidla.

Nástroj používejte pouze s lisovacími razidly a lisovnicemi určenými pro max. jmenovitou sílu. Jiné mohou způsobit poranění nebo poškození.

Řezací nástroje udržujte ostré a čisté. Správně udržované řezací nástroje s ostrými řeznými hranami se méně často zaseknou a snadněji se kontrolují.

Nepoužívejte v rozvaděčích, které jsou pod napětím nebo v blízkosti takových rozvaděčů. Pracujte pouze na rozvaděčích odpojených od napětí.

Přístroj se po dosažení koncové polohy automaticky nevypne. Když je pracovní operace ukončena, uvolněte spínač a stiskněte odblokovací spínač.

V případě poruchy během lisování okamžitě pusťte zapínací spínač a stiskněte tlačítko odblokování hydrauliky. Ventil se otevře a píst přejde zpět do výchozí polohy.

Poškození nechte okamžitě opravit v autorizované speciální dílně.

Je nutné provádět údržbu a dodržovat intervaly údržby.

Před zahájením veškerých prací na vrtacím šroubováku vyjmout výměnný akumulátor.

VAROVÁNÍ! Abyste zabránili nebezpečí požáru způsobeného zkratem, poraněním nebo poškozením výrobku, neponožujte nářadí, výměnnou baterii nebo nabíječku do kapalin a zajistěte, aby do zařízení a akumulátorů nevnikli žádné tekutiny. Korodující nebo vodivé kapaliny, jako je slaná voda, určité chemikálie a bělicí prostředky nebo výrobky, které obsahují bělidlo, mohou způsobit zkrat.

Akumulátor systému M18 nabíjejte pouze nabíječkou systému M18. Nenabíjejte akumulátory jiných systémů.

Náhradní akumulátory ani nabíječku neotvírejte, skladujte je v suchu, chraňte před vlhkem.

OBLAST VYUŽITÍ

Elektro-hydraulické lisovadlo poháněné bateriemi se smí používat výhradně k řezání oceli a ušlechtilé oceli k tomu určeným lisovacími razidly a lisovnicí.

AKUMULÁTORY

Déle nepoužívané akumulátory je nutné před použitím znovu nabít. Teplota přes 50°C snižuje výkon akumulátoru. Chraňte před dlouhým přehříváním na slunci či u topení.

Kontakty nabíječky a akumulátoru udržujte v čistotě.

Pro optimální životnost je nutné akumulátory po použití plně dobít.

K zabezpečení dlouhé životnosti by se akumulátory měly po nabití vyjmout z nabíječky.

Při skladování akumulátoru po dobu delší než 30 dní: Skladujte akumulátor v suchu při ca 27°C. Skladujte akumulátor při ca 30%-50% nabíjecí kapacity. Opakujte nabíjení akumulátoru každých 6 měsíců.

Použitě nevyhazujte do domovního odpadu nebo do ohně. Milwaukee nabízí ekologickou likvidaci starých článků, tejte se u vašeho obchodníka s nářadím.



Náhradní akumulátor neskladujte s kovovými předměty, nebezpečí zkratu.

Při extrémní zátěži či vysoké teplotě může z akumulátoru vytékat kapalina. Při zasažení touto kapalinou okamžitě zasažená místa omyjte vodou a mýdlem. Při zasažení očí okamžitě důkladně po dobu alespoň 10min. omývat a neodkladně vyhledat lékaře.

V nabíjecím postu nabíječky neskladujte kovové předměty, nebezpečí zkratu.

PŘEPRAVA LITHIUM-IONTOVÝCH BATERIÍ

Lithium-iontové baterie spadají podle zákonných ustanovení pod přepravu nebezpečného nákladu.

Přeprava těchto baterií se musí realizovat s dodržováním lokálních, vnitrostátních a mezinárodních předpisů a ustanovení.

Spotřebitelé mohou tyto baterie bez problémů přepravovat po komunikacích.

Komerční přeprava lithium-iontových baterií prostřednictvím přepravních firem podléhá ustanovením o přepravě nebezpečného nákladu. Přípravu k vyexpedování a samotnou přepravu smějí vykonávat jen příslušně vyškolené osoby. Na celý proces se musí odborně dohlížet.

Při přepravě baterií je třeba dodržovat následující:

Zajistěte, aby kontakty byly chráněné a izolované, aby se zamezilo zkratům. Dávejte pozor na to, aby se svazek baterií v rámci balení nemohl sesmeknout. Poškozené a vyteklé baterie se nesmějí přepravovat. Ohledně dalších informací se obraťte na vaši přepravní firmu.

ÚDRŽBA

Větrací štěrbinu nářadí udržujeme stále čisté.

Údržba se musí provádět minimálně jednou za rok nebo po 5 000 řezacích procesech.

Opotřebené řezací nástroje vyměňte.

Údržbářské a opravárenské práce smějí vykonávat jen autorizované specializované dílny.

Přístroj obsahuje hydraulický olej, který představuje nebezpečí pro podzemní vodu. Jeho nekontrolované vypouštění nebo neodborná likvidace jsou trestné.

Používat výhradně příslušenství Milwaukee a náhradní díly Milwaukee. Díly jejichž výměny nebyla popsána, nechte vyměnit v autorizovaném servisu (viz. "Záruky / Seznam servisních míst")

Při potřebě podrobného rozkresu konstrukce, oslovte informaci o typu a čísle přímo servis a nebo výrobce, Techtronic Industries GmbH, Max-Eyth-Straße 10, 71364 Winnenden, Germany.

CE-PROHLÁŠENÍ O SHODĚ

Prohlašujeme na naši výhradní odpovědnost, že produkt popsán v části „Technické údaje“ splňuje všechna příslušná ustanovení směrnice

2011/65/EU (RoHS)

2006/42/ES

2014/30/EU

a byly použity následující harmonizované normy

EN 62841-1:2015

EN 55014-1:2017+A11:2020

EN 55014-2:2015

EN IEC 63000:2018



Winnenden, 2020-11-26

Alexander Krug / Managing Director
Zplnomocněn k sestavování technických podkladů.
Techtronic Industries GmbH
Max-Eyth-Straße 10, 71364 Winnenden, Germany

SYMBOLY



POZOR! VAROVÁN! NEBEZPEČÍ!



Před spuštěním stroje si pečlivě přečtěte návod k používání.



Při práci se strojem neustále nosit ochranné brýle.



Nebezpečí úrazu elektrickým proudem



Ruce mějte v dostatečné vzdálenosti od řezacího nástroje a jiných pohyblivých dílů. Prsty se mohou dostat do řezacího mechanismu a může dojít k jejich poranění nebo uříznutí.



Před zahájením veškerých prací na vrtacím šroubováku vyjmout výměnný akumulátor.



Příslušenství není součástí dodávky, viz program příslušenství.



Elektrické přístroje se nesmí likvidovat společně s odpadem z domácnosti. Elektrické a elektronické přístroje je třeba sbírat odděleně a odevzdat je v recyklačním podniku na ekologickou likvidaci. Na místních úřadech nebo u vašeho specializovaného prodejce se informujte na recyklační podniky a sběrné dvory.



Značka shody v Evropě



Značka shody v Británii



Značka shody na Ukrajině



Značka shody pro oblast Eurasie

Česky

TECHNICKÉ ÚDAJE Elektro-hydraulický dierovač s prevádzkou na batériu	M18 HKP
Výrobné číslo	4560 30 03... ... 000001-999999
Napätie výmenného akumulátora	18 V
Moč stiskania	60 kN
Priemer max.	100 mm
Hrúbka materiálu max. Oceľ Ušľachtilá oceľ	3,0 mm 2,5 mm
Hmotnosť podľa vykonávacieho predpisu EPTA 01/2003 (Li-Ion 2,0 Ah)	2,0 kg
Informácia o hluku	
Namerané hodnoty určené v súlade s EN 62841. V triede A posudzovaná hladina hluku prístroja číni typicky:	
Hladina akustického tlaku (Kolísavosť K=3dB(A))	65,8 dB (A)
Hladina akustického výkonu (Kolísavosť K=3dB(A))	76,8 dB (A)
Používajte ochranu sluchu!	
Informácie o vibráciách	
Celkové hodnoty vibrácií (vektorový súčet troch smerov) zistených zmysle EN 62841.	
Hodnota vibračných emisií _h	1,28 m/s ²
Kolísavosť K=	1,5 m/s ²

POZOR!

Úroveň vibrácií uvedená v týchto pokynoch bola nameraná meracou metódou, ktorú stanovuje norma EN 62841 a je možné ju použiť na vzájomné porovnanie elektrického náradia. Hodí sa aj na predbežné posúdenie kmitavého namáhania.

Uvedená úroveň vibrácií reprezentuje hlavné aplikácie elektrického náradia. Ak sa však elektrické náradie používa pre iné aplikácie, s odlišnými vložnými nástrojmi alebo s nedostatočnou údržbou, môže sa úroveň vibrácií líšiť. Toto môže kmitavé namáhanie v priebehu celej pracovnej doby podstatne zvýšiť.

Pre presný odhad kmitavého namáhania by sa mali tiež zohľadniť doby, v ktorých je náradie vypnuté alebo je síce v chode, ale v skutočnosti sa nepoužíva. Toto môže kmitavé namáhanie v priebehu celej pracovnej doby zreteľne redukovať.

Stanovte dodatočné bezpečnostné opatrenia pre ochranu obsluhy pred účinkami vibrácií, ako napríklad: údržba elektrického náradia a vložných nástrojov, udržiavanie teploty rúk, organizácia pracovných postupov.



POZOR Prečítajte si všetky bezpečnostné upozornenia, pokyny, vyobrazenia a údaje, ktoré dostanete spolu s prístrojom. Zanedbanie dodržiavania Výstražných upozornení a pokynov uvedených v nasledujúcom texte môže mať za následok zásah elektrickým prúdom, spôsobiť požiar a/alebo ťažké poranenie.

Tieto Výstražné upozornenia a bezpečnostné pokyny starostlivo uschovajte na budúce použitie.



BEZPEČNOSTNÉ UPOZORNENIA PRE DIEROVAČE

Použite ochranné vybavenie. Pri práci so strojom vždy noste ochranné okuliare. Doporučujeme taktiež použitie súčasti ochranného odevu a ochrannej obuvi, ako sú protiprašná maska,

ochranné rukavice, pevná a neklzajúca obuv, ochranná prilba a ochrana sluchu.

Ruky i voľnejšie odev držte zďaleka od strižných nástrojov a iných pohyblivých častí.

Pred každým použitím strižné nástroje skontrolujte ohľadom výskytu trhlin a ostatných príznakov opotrebenia. Strižné nástroje a strižné prístroje používajte iba vtedy, ak sú v technicky bezchybnom stave.

Prístroj sa smie používať iba s nasadeným strižným nástrojom.

Skontrolujte, či sa menovitá svetlosť matrice zhoduje s menovitou svetlosťou razidla.

Nástroj používajte iba s razidlami a maticami, ktoré sú prípustné pre max. menovitú silu. Iné totiž môžu spôsobiť zranenia alebo poškodenia.

Strižné nástroje udržiavajte ostré a čisté. Správne ošetrované strižné nástroje s ostrými strižnými hranami sa menej zakliesňujú a dajú sa i ľahšie ovládať.

Nepoužívajte v rozvodných skrinách stojacích pod napätím ani v ich blízkosti. Pracujte len na rozvodných skrinách prepnutých do stavu bez napätia.

Prístroj sa po dosiahnutí koncovej polohy nevypne automaticky. Keď je pracovný proces ukončený, pusťte zapínacie tlačidlo a stlačte odísťovacie tlačidlo.

Pri poruchách počas procesu lisovania okamžite pusťte tlačidlo ZAP a stlačte odísťovacie gombik hydrauliky. Ventil sa otvorí a piest prejde späť do východiskovej polohy.

Poškodenia nechajte okamžite opraviť v autorizovanej špecializovanej dielni.

Nutne dodržiavajte údržbu a intervaly údržby.

Pred každou prácou na stroji výmenný akumulátor vyťahnuť.

POZOR! Aby ste zabránili nebezpečenstvu požiaru spôsobeného skratom, poraneniam alebo poškodeniam výrobku, neponárajte náradie, výmenný akumulátor alebo nabíjačku do kvapalín a postarajte sa o to, aby do zariadení a akumulátorov nevnikli žiadne tekutiny. Korodujúce alebo vodivé kvapaliny, ako je slaná voda, určité chemikálie a bieliace prostriedky alebo výrobky, ktoré obsahujú bieliadlo, môžu spôsobiť skrat.

Výmenné akumulátory systému M18 nabíjajte len nabíjacími zariadeniami systému M18. Akumulátory iných systémov týmto zariadením nenabíjajte.

Výmenné akumulátory a nabíjacie zariadenia neotvárajte a skladujte len v suchých priestoroch. Chránite pred vlhkosťou.

POUŽITIE PODĽA PREDPISOV

Elektro-hydraulický dierovač s prevádzkou na batériu sa smie používať výhradne na rezanie do ocele a ušľachtilej ocele s takými razidlami a maticami, ktoré sú na to určené.

AKUMULÁTORY

Dlhší čas nepoužívané výmenné akumulátory pred použitím dobíť. Teplota vyššia ako 50°C znižuje výkon výmenného akumulátora. Zabráňte dlhšiemu ohriatiu slnkom alebo kúrením.

Pripájacie kontakty na nabíjacom zariadení a výmennom akumulátore udržiavať čisté.

Pre optimálnu životnosť je nutné akumulátory po použití plne dobíť.

K zabezpečeniu dlhej životnosti by sa akumulátory mali po nabití vybrať z nabíjačky.

Pri skladovaní akumulátora po dobu dlhšiu než 30 dní: Skladujte akumulátor v suchu pri cca 27°C. Skladujte akumulátor pri cca



30%-50% nabíjacej kapacity. Opakujte nabíjanie akumulátora každých 6 mesiacov.

Opotrebované výmenné akumulátory nezahadzujte do ohňa alebo medzi domový odpad. Milwaukee ponúka likvidáciu starých výmenných akumulátorov, ktorá je v súlade s ochranou životného prostredia; informujte sa u Vášho predajcu.

Výmenné akumulátory neskladovať spolu s kovovými predmetmi (nebezpečenstvo skratu).

Pri extrémnych záťažach alebo extrémnych teplotách môže dôjsť k vytekaniu batérovej tekutiny z poškodeného výmenného akumulátora. Ak dôjde ku kontaktu pokožky s roztokom, postihnuté miesto umyť vodou a mydlom. Ak sa roztok dostane do očí, okamžite ich dôkladne vypláchnuť po dobu min. 10 min a bezodkladne vyhľadať lekára.

Do zasúvacieho otvoru pre výmenné akumulátory na nabíjacom zariadení, sa nesmú dostať žiadne kovové predmety (nebezpečenstvo skratu).



PREPRAVA LÍTIOVO-IÓNOVÝCH BATÉRIÍ

Lítiovo-iónové batérie podľa zákonných ustanovení spadajú pod prepravu nebezpečného nákladu.

Preprava týchto batérií sa musí realizovať s dodržiavaním lokálnych, vnútroštátnych a medzinárodných predpisov a ustanovení. Spotrebiteľia môžu tieto batérie bez problémov prepravovať po cestách.

Komerčná preprava lítiovo-iónových batérií prostredníctvom špeciálnych firiem podlieha ustanoveniam o preprave nebezpečného nákladu. Pripravu k vyexpedovaniu a samotnú prepravu smú vykonávať iba adekvátne vyškolené osoby. Na celý proces sa musí odborné dohliadať.

Pri preprave batérií treba dodržiavať nasledovné:

Zabezpečte, aby boli kontakty chránené a izolované, aby sa zamedzilo skratom. Dávajte pozor na to, aby sa zväzok batérií v rámci balenia nemohol zošmyknúť. Poškodené a vytečené batérie sa nesmú prepravovať. Kvôli ďalším informáciám sa obráťte na vašu špeciálnu firmu.

ÚDRŽBA

Vetracie otvory udržiavať stále v čistote.

Údržbu je potrebné vykonať raz ročne alebo po 5000 procesoch strihania.

Opotrebené strižné nástroje vymeňte.

Údržbárske a opravárenské práce smú vykonávať len autorizované špecializované dielne.

Pri stroji obsahuje hydraulický olej, ktorý predstavuje nebezpečenstvo pre podzemnú vodu. Jeho nekontrolované vypúšťanie alebo neodborná likvidácia sú trestné.

Používať len Milwaukee príslušenstvo a Milwaukee náhradné diely. Súčasti bez návodu na výmenu treba dať vymeniť v jednom z Milwaukee zákazníckych centier (viď brožúru Záruka/Adresy zákazníckych centier).

Pri udaní typu stroja a čísla nachádzajúceho sa na štítku dá sa v prípade potreby vyžiadať explozivná schéma stroja od vášho zákazníckeho centra alebo priamo v Techtronic Industries GmbH, Max-Eyth-Straße 10, 71364 Winnenden, Germany.

CE - VYHLÁSENIE KONFORMITY

Na našu výhradnú zodpovednosť vyhlasujeme, že produkt popísaný v časti „Technické údaje“ spĺňa všetky príslušné ustanovenia smerníc

2011/65/EÚ (RoHS)

2006/42/ES

2014/30/EÚ

a boli použité nasledovné harmonizované normy

EN 62841-1:2015

EN 55014-1:2017+A11:2020

EN 55014-2:2015

EN IEC 63000:2018



Winnenden, 2020-11-26

Alexander Krug / Managing Director

Spĺnomocnený zostaviť technické podklady.

Techtronic Industries GmbH

Max-Eyth-Straße 10, 71364 Winnenden, Germany

SYMBOLY



POZOR! NEBEZPEČENSTVO!



Pred prvým použitím prístroja si pozorne prečítajte návod na obsluhu.



Pri práci so strojom vždy noste ochranné okuliare.



Nebezpečenstvo úderu elektrickým prúdom



Ruky držte zďaleka od strižného nástroja a iných pohyblivých častí. Prsty sa totiž môžu dostať do strižného mechanizmu, následkom čoho môže dôjsť k ich oddeleniu alebo poraneniu.



Pred každou prácou na stroji výmenný akumulátor vytriahnuť.



Príslušenstvo - nie je súčasťou štandardnej výbavy, odporúčané doplnenie z programu príslušenstva.



Elektrické prístroje sa nesmú likvidovať spolu s odpadom z domácností. Elektrické a elektronické prístroje treba zbierať oddelene a odovzdať ich v recyklačnom podniku na ekologickú likvidáciu. Na miestnych úradoch alebo u vášho špecializovaného predajcu sa spýtajte na recyklačné podniky a zberné dvory.



Značka zhody v Európe



Značka zhody v Británii



Značka zhody na Ukrajine



Značka zhody pre oblasť Eurázie

Slovensky

DANE TECHNICZNE Elektrohydrauliczny tłocznik otworów akumulatorowy	M18 HKP
Numer produkcyjny	4560 30 03... ... 000001-999999
Napięcie baterii akumulatorowej	18 V
Siła znamionowa	60 kN
Średnica maks.	100 mm
Grubość materiału maks. Stal Stal nierdzewna	3,0 mm 2,5 mm
Ciężar wg procedury EPTA 01/2003 (Li-Ion 2,0 Ah)	2,0 kg
Informacja dotycząca szumów	
Zmierzone wartości wyznaczone zgodnie z normą EN 62841. Poziom szumów urządzenia oszacowany jako A wynosi typowo: Poziom ciśnienia akustycznego (Niepewność K=3dB(A))	65,8 dB (A)
Poziom mocy akustycznej (Niepewność K=3dB(A)) Należy używać ochroniaczy uszu!	76,8 dB (A)
Informacje dotyczące wibracji	
Wartości łączne drgań (suma wektorowa trzech kierunków) wyznaczone zgodnie z normą EN 62841	
Wartość emisji drgań _h	1,28 m/s ²
Niepewność K=	1,5 m/s ²

OSTRZEŻENIE!

Podany w niniejszych instrukcjach poziom drgań został zmierzony za pomocą metody pomiarowej zgodnej z normą EN 62841 i może być użyty do porównania ze sobą elektronarzędzi. Nadaje się on również do tymczasowej oceny obciążenia wibracyjnego.

Podany poziom drgań reprezentuje główne zastosowania elektronarzędzia. Jeśli jednakże elektronarzędzie użyte zostanie do innych celów z innym narzędziami roboczymi lub nie jest dostatecznie konserwowane, wtedy poziom drgań może wykazywać odchylenia. Może to wyraźnie zwiększyć obciążenie wibracjami przez cały okres pracy.

Dla dokładnego określenia obciążenia wibracjami należy uwzględnić również czasy, w których urządzenie jest wyłączone względnie jest włączone, lecz w rzeczywistości nie pracuje. Może to spowodować wyraźną redukcję obciążenia wibracyjnego w całym okresie pracy. Należy wprowadzić dodatkowe środki zapobiegawcze celem ochrony obsługującego przed oddziaływaniem drgań, jak na przykład: konserwacja narzędzi roboczych i elektronarzędzi, nagrzanie rąk, organizacja przebiegu pracy.



OSTRZEŻENIE Przeczytać wszystkie wskazówki bezpieczeństwa, instrukcje, ilustracje i dane dołączone do urządzenia. Błędy w przestrzeganiu poniższych wskazówek mogą spowodować porażenie prądem, pożar i/lub ciężkie obrażenia ciała. Należy starannie przechowywać wszystkie przepisy i wskazówki bezpieczeństwa dla dalszego zastosowania.



WSKAZÓWKI BEZPIECZEŃSTWA DLA TŁOCZNIKÓW OTWORÓW

Stosować wyposażenie ochronne. Podczas pracy należy zawsze nosić okulary ochronne. Zalecana jest odzież ochronna, jak maska pyłochronna, rękawice ochronne, mocne i chroniące przed poślizgiem obuwie, kask i ochronniki słuchu.

Trzymać ręce i luźne elementy ubrania z dala od narzędzi tnących i innych ruchomych części.

Przed każdym użyciem należy sprawdzić narzędzie przecinające pod kątem pęknięć i śladów zużycia. Używać tylko narzędzi i urządzeń tnących w nienagannym stanie technicznym.

Urządzenia można używać wyłącznie z włożonym narzędziem tnącym.

Sprawdzić czy średnica nominalna matrycy jest zgodna ze średnicą nominalną stempla tnącego.

Używać narzędzia wyłącznie ze stemplami i matrycami odpowiednimi do maks. siły tłoczenia. Inne mogą spowodować urazy lub uszkodzenia.

Utrzymywać narzędzia tnące w czystym stanie i naostrzone. Odpowiednio pielęgnowane narzędzia tnące z ostrymi krawędziami ostro rzadziej się zakleszczają i łatwiej je kontrolować.

Nie należy używać skrzynek rozdzielczych znajdujących się pod napięciem lub będących w pobliżu takich skrzynek. Pracować wyłącznie z użyciem skrzynek rozdzielczych odłączonych od napięcia.

Urządzenie po uzyskaniu pozycji końcowej nie wyłącza się automatycznie. Po zakończeniu pracy należy zwolnić włącznik i wcisnąć włącznik blokady.

W przypadku zakłóceń podczas zaciskania należy niezwłocznie zwolnić przycisk WŁĄCZANIA i wcisnąć przycisk odblokowania hydrauliki. Zawór otwiera się i tłok przemieszcza się z powrotem do pozycji wyjściowej.

Naprawę uszkodzeń należy natychmiast zlecić autoryzowanemu warsztatowi specjalistycznemu.

Bez względu na to należy przestrzegać konserwacji i przedziałów czasu pomiędzy konserwacjami.

Przed przystąpieniem do jakichkolwiek prac na elektronarzędziu należy wyjąć wkładkę akumulatorową.

OSTRZEŻENIE! Aby uniknąć niebezpieczeństwa pożaru, obrażeń lub uszkodzeń produktu na skutek zwarcia, nie wolno zanurzać narzędzia, akumulatora wymiennego ani ładowarki w cieczach i należy zatroszczyć się o to, aby do urządzeń i akumulatorów nie dostały się żadne ciecz. Zwarcie spowodować mogą korodujące lub przewodzące cieczce, takie jak woda morska, określone chemikalia i wybielacze lub produkty zawierające wybielacze.

Akumulatory Systemu M18 należy ładować wyłącznie przy pomocy ładowarek Systemu M18. Nie ładować przy pomocy tych ładowarek akumulatorów innych systemów.

Nie otwierać wkładek akumulatorowych i ładowarek. Przechowywać w suchych pomieszczeniach. Chronić przed wilgocią.



WARUNKI UŻYTKOWANIA

Elektrohydrauliczny tłocznik otworów akumulatorowy jest przeznaczony wyłącznie do cięcia stali i stali nierdzewnej z użyciem przewidzianych do tego celu stempli i matryc.

BATERIE AKUMULATOROWE

Akumulatory, które nie były przez dłuższy czas użytkowane, należy przed użyciem naładować. W temperaturze powyżej 50°C następuje spadek osiągniętych wkładki akumulatorowej. Unikać długotrwałego wystawienia na oddziaływanie ciepła lub promieni słonecznych (niebezpieczeństwo przegrzania).

Styki ładowarek i wkładki akumulatorowych należy utrzymywać w czystości

Dla zapewnienia optymalnej żywotności akumulatory po użyciu należy naładować do pełnej pojemności.

Dla zapewnienia możliwie długiej żywotności akumulatory należy wyjąć z ładowarki po ich naładowaniu.

W przypadku składowania akumulatorów dłużej aniżeli 30 dni:

Przechowywać je w suchym miejscu w temperaturze ok. 27°C.

Przechowywać je w stanie naładowanym do ok. 30% - 50%.

Ładować je ponownie co 6 miesięcy.

Zużytych akumulatorów nie wolno wrzucać do ognia ani traktować jako odpadów domowych. Milwaukee oferuje ekologiczną utylizację zużytych akumulatorów.

Nie przechowywać akumulatorów wraz z przedmiotami metalowymi (niebezpieczeństwo zwarcia).

W skrajnych warunkach temperaturowych lub przy bardzo dużym obciążeniu może dochodzić do wycieku kwasu akumulatorowego z uszkodzonych baterii akumulatorowych. W przypadku kontaktu z kwasem akumulatorowym należy natychmiast przemyć miejsce kontaktu wodą z mydłem. W przypadku kontaktu z oczami należy dokładnie przepłukiwać oczy przynajmniej przez 10 minut i zwrócić się natychmiast o pomoc medyczną.

Do ładowarki nie wolno wkładać żadnych przedmiotów metalowych (niebezpieczeństwo zwarcia).

TRANSPORT AKUMULATORÓW LITOWO-JONOWYCH

Akumulatory litowo-jonowe podlegają ustawowym przepisom dotyczącym transportu towarów niebezpiecznych.

Transport tych akumulatorów winien odbywać się przy przestrzeganiu lokalnych, krajowych i międzynarodowych rozporządzeń i przepisów.

Odbiorcom nie wolno transportować tych akumulatorów po drogach ot tak po prostu.

Komercyjny transport akumulatorów litowo-jonowych przez przedsiębiorstwa spedycyjne podlega przepisom dotyczącym transportu towarów niebezpiecznych. Przygotowania do wysyłki oraz transport mogą być wykonywane wyłącznie przez odpowiednio przeszkolone osoby. Cały proces winien odbywać się pod fachowym nadzorem.

W czasie transportu akumulatorów należy przestrzegać następujących punktów:

Celem uniknięcia zwarcia należy upewnić się, że zestyki są zabezpieczone i zaizolowane. Zwracać uwagę na to, aby zespół akumulatorów nie mógł się przemieszczać we wnętrzu opakowania. Nie wolno transportować akumulatorów uszkodzonych lub z wyciekającym z elektrolitem. Odnośnie dalszych wskazań należy zwrócić się do swojego przedsiębiorstwa spedycyjnego.

UTRZYMANIE I KONSERWACJA

Otwory wentylacyjne elektronarzędzia muszą być zawsze drożne. Należy przeprowadzać konserwację co najmniej raz w roku lub po 5000 cięć.

Wymienić zużyte narzędzia tnące.

Roboty konserwacyjne i roboty naprawcze mogą być wykonywane wyłącznie przez autoryzowane warsztaty specjalistyczne.

Urządzenie zawiera olej hydrauliczny, który stanowi zagrożeniem dla wody gruntowej. Niekontrolowane spuszczenie oleju lub niewłaściwe usuwanie oleju do odpadów jest karalne.

Używać tylko i wyłącznie wyposażenia dodatkowego Milwaukee i części zamiennych Milwaukee. Gdyby trzeba było wymienić części, które nie zostały opisane, należy skontaktować się z przedstawicielem serwisu Milwaukee (patrz wykaz adresów punktów usługowych/gwarancyjnych).

Na życzenie można otrzymać rysunek widoku zespołu rozebranego. Przy zamawianiu należy podać numer oraz typ elektronarzędzia umieszczonego na tabliczce znamionowej. Zamówienia można dokonać albo u lokalnych przedstawicieli serwisu, albo bezpośrednio w Techtronic Industries GmbH, Max-Eyth-Straße 10, 71364 Winnenden, Germany.

DEKLARACJA ZGODNOŚCI CE

Oświadczamy na naszą wyłączną odpowiedzialność, że produkt opisany pod „Dane techniczne” spełnia wszystkie istotne przepisy dyrektyw

2011/65/UE (RoHS)

2006/42/WE

2014/30/UE

i zastosowano następujące zharmonizowane normy

EN 62841-1:2015

EN 55014-1:2017+A11:2020

EN 55014-2:2015

EN IEC 63000:2018



Winnenden, 2020-11-26

Alexander Krug / Managing Director
Upelnomocniony do zestawienia danych technicznych
Techtronic Industries GmbH
Max-Eyth-Straße 10, 71364 Winnenden, Germany

SYMBOLE



UWAGA! OSTRZEŻENIE NIEBEZPIECZEŃSTWO!



Przed uruchomieniem elektronarzędzia zapoznać się uważnie z treścią instrukcji.



Podczas pracy należy zawsze nosić okulary ochronne.



Ryzyko porażenia prądem elektrycznym



Trzymać ręce z dala od narzędzia tnącego i innych ruchomych części. Palce mogą dostać się do mechanizmu tnącego i zostać odcięte lub skaleczone.



Przed przystąpieniem do jakichkolwiek prac na elektronarzędziu należy wyjąć wkładkę akumulatorową.



Wyposażenie dodatkowe dostępne osobno.



Urządzenia elektryczne nie mogą być usuwane razem z odpadami pochodzącymi z gospodarstw domowych. Urządzenia elektryczne i elektroniczne należy gromadzić oddzielnie i w celu usuwania ich do odpadów zgodnie z wymaganiami środowiska naturalnego oddawać do przedsiębiorstwa utylizacyjnego. Proszę zasięgnąć informacji o centrach recyklingowych i punktach zbiorczych u władz lokalnych lub u wyspecjalizowanego dostawcy.



Europejski Certyfikat Zgodności



Brytyjski Certyfikat Zgodności



Ukraiński Certyfikat Zgodności



Euroazjatycki Certyfikat Zgodności



MŰSZAKI ADATOK Akkumulátorral üzemeltetett elektromos-hidraulikus lyukasztógép	M18 HKP
Gyártási szám	4560 30 03... ... 000001-999999
Akkumulátor feszültség	18 V
Névleges energia	60 kN
Átmérő max.	100 mm
Anyag vastagság max. Acél Nemesfém	3,0 mm 2,5 mm
Súly a 01/2003 EPTA-eljárás szerint (Li-Ion 2,0 Ah)	2,0 kg
Zajinformáció A közölt értékek megfelelnek az EN 62841 szabványnak. A készülék munkahelyi zajszintje tipikusan:	
Hangnyomás szint (K bizonytalanság=3dB(A))	65,8 dB (A)
Hangteljesítmény szint (K bizonytalanság=3dB(A))	76,8 dB (A)
Hallásvédő eszköz használata ajánlott!	
Vibráció-információk Összesített rezgésértékek (három irány vektorális összeg az EN 62841-nek megfelelően meghatározva).	
rezgésemisszió értéke _h	1,28 m/s ²
K bizonytalanság	1,5 m/s ²



FIGYELMEZTETÉS!

A jelen utasításokban megadott rezgésintéértékek az EN 62841-ben szabályozott mérési eljárásnak megfelelően került le mérésre, és használható elektromos szerszámokkal történő összehasonlításhoz. Az értékek alkalmasak a rezgésterhelés előzetes megbecsülésére is. A megadott rezgésintéértékek az elektromos szerszám legfőbb alkalmazásait reprezentálják. Ha az elektromos szerszámot azonban más alkalmazásokhoz, eltérő használt szerszámokkal vagy nem elegendő karbantartással használják, a rezgésintéértékek eltérő lehetnek. Ez jelentősen megnövelheti a rezgésterhelést a munkavégzés teljes időtartama alatt.

A rezgésterhelés pontos megbecsüléséhez azokat az időket is figyelembe kell venni, melyekben a készülék lekapcsolódik, vagy ugyan működik, azonban ténylegesen nincs használatban. Ez jelentősen csökkentheti a rezgésterhelést a munkavégzés teljes időtartama alatt. Határozzon meg további biztonsági intézkedéseket a kezelő védelmére a rezgések hatása ellen, például: az elektromos és a használt szerszámok karbantartásával, a kezek melegen tartásával, a munkafolyamatok megszervezésével.

▲ FIGYELMEZTETÉS Olvasson el minden, a géppel együtt megkapott biztonsági utalást, utasítást, ábrázolást és adatot. A következőkben leírt előírások betartásának elmulasztása áramütésekhez, tűzhöz és/vagy súlyos testi sérülésekhez vezethet. **Kérjük a későbbi használatra gondosan őrizze meg ezeket az előírásokat.**

▲ BIZTONSÁGI TUDNIVALÓK LYUKASZTÓGÉPEKHEZ

Használjon védőfelszerelést! Munkavégzés közben ajánlatos védőszemüveget viselni. Javasoljuk a védőruházat, úgymint porvédő maszk, védőcipő, erős és csúszásbiztos lábbeli, sisak és hallásvédő használatát.

Tartsa távol a vágószerszámoktól és a többi mozgó résztől kezeit és lábán felfekvő ruházatát.

A vágószerszámokat mindegyik használatba vétel előtt felül kell vizsgálni repedésekre és egyéb kopási jelenségekre. A vágószerszámokat és vágókészülékeket csak műszakilag kifogástalan állapotban használja.

A készüléket csak behelyezett vágószerszámmal együtt szabad használni.

Vizsgálja felül, hogy a stencil névleges szélessége megfelel-e a peccsét névleges szélességének.

A szerszámot csak a max. névleges erőnek megfelelő stencillekekkel és peccsétekkel használja. Egyéb alkatrészek sérüléseket vagy anyagi károkat okozhatnak.

A vágószerszámok legyenek mindig élesek és tiszták. A helyes karbantartott vágószerszámok éles szélei ritkábban szorulnak be és könnyebben ellenőrizhetők.

Ne használja a készüléket feszültség alatt vagy közelében álló kapcsolószekrényeknél. Csak feszültségmentes kapcsolószekrényeken végezzen el munkálatokat.

A készülék az elért végpozíciónál nem kapcsol le automatikusan. Ha befelyezte a munkafolyamatot, akkor engedje el a kapcsolót és üzemeltesse a kireteszelő kapcsolót.

Ha a présfolyamat során zavarok lépnének fel, azonnal engedje el a BE-kapcsolót és nyomja meg a hidraulika kireteszelő gombját. A szelep kinyílik, és a dugattyú visszatér a kiindulási pozícióba.

A sérüléseket azonnal javíttassa meg arra jogosult szakműhellyel.

A karbantartási műveletek és a karbantartási intervallumok betartása kötelező.

Karbantartás, javítás, tisztítás, stb. előtt az akkumulátort ki kell venni a készülékből.

FIGYELMEZTETÉS! A rövidzárlat általi tűz, sérülések vagy termékkárosodások veszélye elkerülésére ne merítse a szerszámot, a cserélhető akkut vagy a töltőkészüléket folyadékba, és gondoskodjon arról, hogy ne hatoljanak folyadékok a készülékekbe és az akkuba. A korrozív hatású vagy vezetőképes folyadékok, mint pl. a sós víz, bizonyos vegyi anyagok, fehéritők vagy fehéřítő tartalmú termékek, rövidzárlatot okozhatnak.

Az M18 elnevezésű rendszerhez tartozó akkumulátorokat kizárólag a rendszerhez tartozó töltővel töltsen fel. Ne használjon más rendszerbe tartozó töltőt.

Az akkumulátort, töltőt nem szabad megbontani és kizárólag száraz helyen szabad tárolni. Nedvességtől óvni kell.

RENDELTESSZERŰ HASZNÁLAT

Az akkumulátorral üzemeltetett elektromos-hidraulikus lyukasztógép kizárólag vas és nemesfém lyukasztására használható a megfelelő peccséttel és stencillel.

AKKUK

A hosszabb ideig üzemben kívüli lévő akkumulátort használat előtt ismétellen fel kell tölteni. 50°C feletti hőmérsékletnél csökkenthet az akkumulátor teljesítménye. Kerülni kell a túlzottan meleg helyen vagy napon történő hosszabb idejű tárolást.

A töltő és az akkumulátor csatlakozóit mindig tisztán kell tartani.

Az optimális élettartam érdekében használat után az akkukat teljesen fel kell tölteni.

A lehetőleg hosszú élettartamhoz az akkukat feltöltés után ki kell venni a töltőkészülékből.

Az akku 30 napot meghaladó tárolása esetén: Az akkut kb. 27 °C-on, száraz helyen kell tárolni. Az akkut kb. 30-50%-os töltöttségi állapotban kell tárolni. Az akkut 6 havonta újra fel kell tölteni.

A használt akkumulátort ne dobja tűzbe vagy a háztartási szemétkébe. Tájékozódjon a szakszerű megsemmisítés helyi lehetőségeiről.

Az akkumulátort ne tárolja együtt fém tárgyakkal. (Rövidzárlat veszélye).

Akkumulátor sav folyhat a sérült akkumulátorból extrém terhelés alatt, vagy extrém hő miatt. Ha az akkumulátor sav a bőrre kerül azonnal mossa meg szappanos vízzel. Szembe kerülés esetén folyóvíz alatt tartsa a szemét minimum 10 percig és azonnal forduljon orvoshoz.

Ügyeljen arra, hogy a töltő aknájába ne kerüljön semmilyen fém tárgy, mert ez rövidzárlatot okozhat.

LÍTIUM-ION AKKUK SZÁLLÍTÁSA

A lítium-ion akkuk a veszélyes áruk szállítására vonatkozó törvényi rendelkezések hatálya alá tartoznak.

Az ilyen akkuk szállításának a helyi, országos és nemzetközi előírások és rendelkezések betartása mellett kell történnie.

A fogyasztók minden további nélkül szállíthatják az ilyen akkukat közúton.

A lítium-ion akkuk szállítmányozási vállalatok általi kereskedelmi célú szállítására a veszélyes áruk szállítására vonatkozó rendelkezések érvényesek. A kiszállítás előkészítését és a szállítást kizárólag megfelelő képzettségű személyek végezhetik. A teljes folyamatnak szakmai felügyelet alatt kell történnie.

A következő pontokat kell figyelembe venni akkuk szállításakor:

Biztosítsa, hogy a rövidzárlatok elkerülése érdekében az érintkezők védve és szigetelve legyenek. Ügyeljen arra, hogy az akkusomag ne tudjon elcsúszni a csomagoláson belül. Tilos sérült vagy kifolyt akkukat szállítani. További útmutatásokért forduljon szállítmányozási vállalatához.

KARBANTARTÁS

A készülék szellőzőnyílásait mindig tisztán kell tartani.

Legalább évente, vagy 5.000 vágási folyamat után végezze el a karbantartást.

Cserélje ki az elkopott vágószerszámokat.

Karbantartási és javítási munkálatokat csak arra jogosult szakműhely végezhet.

A készülék hidraulikaolajat tartalmaz, amely veszélyt jelent a talajvízre. Az olaj ellenőrizetlen leeresztése vagy szakszerűtlen ártalmatlanítása büntetendő.

Csak Milwaukee tartozékokat és Milwaukee pótalkatrészeket szabad használni. Az olyan elemeket, melyek cseréje nincs ismertetve, cseréltesse ki Milwaukee szervizzel (lásd Garancia/Ügyfélszolgálat címei kiadványt).

Szükség esetén a készülékek reobontott ábráját - a készülék típusa és azonosító száma alapján a területileg illetékes Milwaukee márkaszerviztől vagy közvetlenül a gyártótól (Techtronic Industries GmbH, Max-Eyth-Straße 10, 71364 Winnenden, Germany) lehet kérni.

CE-AZONOSSÁGI NYILATKOZÁS

Kizárólagos felelősségünk alapján kijelentjük, hogy a „Műszaki adatok” fejezetben leírt termék megfelel a irányelvek összes vonatkozó rendelkezésének
2011/65/EU (RoHS)
2006/42/EK
2014/30/EU
harmonizált szabvány és a
EN 62841-1:2015
EN 55014-1:2017+A11:2020
EN 55014-2:2015
EN IEC 63000:2018



Winnenden, 2020-11-26

Alexander Krug / Managing Director
Műszaki dokumentáció összeállításra felhatalmazva
Techtronic Industries GmbH
Max-Eyth-Straße 10, 71364 Winnenden, Germany

SZIMBÓLUMOK



FIGYELEM! FIGYELMEZTETÉS! VESZÉLY!



Kérjük alaposan olvassa el a tájékoztatót mielőtt a gépet használja.



Munkavégzés közben ajánlatos védőszemüveget viselni.



Áramtűzés veszélye áll fenn



Tartsa távol a vágószerszámoktól és a többi mozgó résztől kezeit. Ujjai bejuthatnak a vágórendszerbe és levágásuk vagy sérülésük veszélye áll fenn.



Karbantartás, javítás, tisztítás, stb. előtt az akkumulátort ki kell venni a készülékből.



Azokat a tartozékokat, amelyek gyárilag nincsenek a készülékhez mellékelve, külön lehet megrendelni.



Az elektromos eszközöket nem szabad a háztartási hulladékkal együtt ártalmatlanítani. Az elektromos és elektronikus eszközöket szelektíven kell gyűjteni, és azokat környezetbarát ártalmatlanítás céljából hulladékhasznosító üzemben kell leadni. A helyi hatóságoknál vagy szakkereskedőjénél tájékozódjon a hulladékudvarokról és gyűjtőhelyekről.



Európai megfelelőségi jelölés



Egyesült királyságbeli megfelelőségi jelölés



Ukrán megfelelőségi jelölés



Eurázsiai megfelelőségi jelölés



TEHNIČNI PODATKI Akumulatorska elektro-hidravlična štanca	M18 HKP
Proizvodna številka	4560 30 03... ... 000001-999999
Napetost izmenljivega akumulatorja	18 V
Lisovacia sila	60 kN
Premer maks.	100 mm
Debelina materiala maks. Jeklo Legirano jeklo	3,0 mm 2,5 mm
Teža po EPTA-proceduri 01/2003 (Li-Ion 2,0 Ah)	2,0 kg
Informacije o hrupnosti Vrednosti merjenja ugotovljene ustrežno z EN 62841. Raven hrupnosti naprave ovrednotena z A, znaša tipično: Nivo zvočnega tlaka (Nevarnost $K=3\text{dB(A)}$) Višina zvočnega tlaka (Nevarnost $K=3\text{dB(A)}$) Nosite zaščito za sluh!	65,8 dB (A) 76,8 dB (A)
Informacije o vibracijah Skupna vibracijska vrednost (Vektorska vsota treh smerdoločena ustrežno EN 62841. Vibracijska vrednost emisija _h Nevarnost $K=$	1,28 m/s ² 1,5 m/s ²



Sl

OPOZORILO!

V teh navodilih navedena raven tresljajev je bila izmerjena po EN 62841 normiranem merilnem postopku in lahko služi medsebojni primerjavi električnih orodij. Prav tako je primeren za predhodno oceno obremenitve s tresljaji.

Navedena raven tresljajev navaja najpomembnejše vrste rabe električnega orodja. Kadar se električno orodje uporablja za drugačne namene, z odstopajočimi orodji ali pa z nezadostnim vzdrževanjem, lahko raven tresljajev tudi odstopa. Le to lahko čez celoten delovni čas znatno zviša obremenitev s tresenjem.

Za natančno oceno obremenitve s tresljaji naj bi se upošteval tudi čas v katerem je naprava izklopljena ali sicer teče, vendar dejansko ni v rabi. Le to lahko obremenitev s tresljaji čez celoten delovni čas znatno zmanjša.

Za zaščito upravljalca pred učinkom tresljajev uvedite dodatne zaščitne ukrepe npr.: Vzdrževanje električnega orodja in orodja, delo s toplimi rokami, organizacija delovnih potekov.

⚠ OPOZORILO Preberite vse varnostne napotke, navodila, prikaze in podatke, ki ste jih prejeli skupaj z napravo. Napake zaradi neupoštevanja spodaj navedenih opozoril in napotil lahko povzročijo električni udar, požar in/ali težke telesne poškodbe.

Vsa opozorila in napotila shranite, ker jih boste v prihodnje še potrebovali.

⚠ VARNOSTNA NAVODILA ZA ŠTANCE

Uporabite zaščitno opremo. Pri delu s strojem vedno nosite zaščitna očala. Priporočajo se zaščitna oblačila, kot npr. maska za zaščito proti prahu, zaščitne rokavice, trdno in neдрсеče obuvalo, čelada in zaščita za sluh.

Z rokami in ohlalnimi oblačili se ne približujte rezalnemu orodju in drugim premikajočim se delom.

Pred vsako uporabo preverite, da na rezalnemu orodju ni razpok in drugih znakov obrabe. Rezalna orodja in rezalne naprave je dovoljeno uporabljati le v tehnično brezhibnem stanju.

Napravo je dovoljeno uporabljati le z vstavljenim rezalnim orodjem.

Preverite, da se nazivne vrednosti matrice ujemajo z nazivnimi vrednostmi pečata.

Uporabljajte orodje le s pečati in maticami, ki so dovoljeni za maksimalno nazivno moč. Druga lahko povzročijo telesne poškodbe ali škodo.

Rezalno orodje naj bo ostro in čisto. Pravilno vzdrževano rezalno orodje z ostrimi rezili se manj zatika in ga je lažje nadzorovati.

Ne uporabljajte v stikalnih omaricah pod napetostjo ali v njihovi bližini. Delajte le na stikalnih omaricah, ki niso pod napetostjo.

Naprava se v končnem položaju ne izklopi samodejno. Ko je delovni postopek zaključen, spustite stikalo, in pritisnite stikalo za odklepanje.

V primeru motenj med stiskanjem takoj spustite stikalo za VKLOP in pritisnite gumb za odklepanje hidravlike. Ventil se odpre in bat se vrne nazaj v izhodiščni položaj.

Poškodbe dajte takoj popraviti v avtoriziranemu strokovnemu obratu.

Dosledno se držite vzdrževanja in vzdrževalnih intervalov.

Pred vsemi deli na stroji odstranite izmenljivi akumulator.

OPOZORILO! V izogib, s kratkim stikom povzročene nevarnosti požara, poškodb ali okvar na proizvodu, orodja, izmenljivega akumulatorja ali polnilne naprave ne potaplajte v tekočine in poskrbite, da ne bo prihajalo do vdora tekočin v naprave in akumulatorje. Korozivne ali prevodne tekočine, kot so slana voda, določene kemikalije in belila ali proizvodi, ki le ta vsebujejo, lahko povzročijo kratek stik.

Izmenljive akumulatorje sistema M18 polnite samo s polnilnimi aparati sistema M18. Ne polnite nobenih akumulatorjev iz drugih sistemov.

Izmenljivih akumulatorjev in polnilnih aparatov ne odpirajte in jih hranite samo v suhih prostorih. Zaščitite jih pred mokroto.

UPORABA V SKLADU Z NAMEDBENOSTJO

Akumulatorska elektro-hidravlična štanca je dovoljeno uporabljati izključno za rezanje jekla in legiranega jekla z za to predvidenimi pečati in maticami.

AKUMULATORJI

Izmenljive akumulatorje, ki jih daljši čas niste uporabljali, pred uporabo naknadno napolnite. Temperatura nad 50°C zmanjšuje zmogljivost izmenljivega akumulatorja. Izogibajte se daljšemu segrevanju zaradi sončnih žarkov ali gretja.

Pazite, da ostanje priključni kontakti na polnilnem aparatu in izmenljivem akumulatorju čisti.

za optimalno življenjsko dobo je potrebno akumulatorje po uporabi do konca napolniti.

Za čim daljšo življenjsko dobo naj se akumulatorji po napolnitvi vzamejo ven iz naprave za polnjenje.

Pri skladiščenju akumulatorjev dalj kot 30 dni: Akumulator skladiščiti pri 27°C in na suhem. Akumulator skladiščiti pri 30%-50% stanja polnjenja. Akumulator spet napolniti vsakih 6 mesecev.

Izrabljenih izmenljivih akumulatorjev ne mečite v ogenj ali v gospodinske odpadke. Milwaukee nudi okolju prijazno odlaganje starih izmenljivih akumulatorjev; prosimo povprašajte vašega strokovnega trgovca.

Izmenljivih akumulatorjev ne hranite skupaj s kovinskimi predmeti (nevarnost kratkega stika).

Pod ekstremno obremenitvijo ali ob ekstremni temperaturi iz poškodovanega izmenljivega akumulatorja lahko izteka akumulatorska tekočina. Po stiku z akumulatorsko tekočino prizadeto mesto takoj izperite z vodo in milom. Po stiku z očmi takoj najmanj 10 minut dolgo temeljito izpirajte in nemudoma obiščite zdravnika.

V odprtino za nameščanje izmenljivih akumulatorjev na polnilnih aparatih ne smejo zaiti nikakršni kovinski deli (nevarnost kratkega stika).

TRANSPORT LITIJ-IONSКИH AKUMULATORJEV

Litij-ionski akumulatorji so podvrženi zakonskim določbam transporta nevarnih snovi.

Transport teh akumulatorjev se mora izvajati upoštevajoč lokalne, nacionalne in mednarodne predpise in določbe.

Potrošniki lahko te akumulatorje še nadalje transportirajo po cesti.

Komercialni transport litij-ionskih akumulatorjev s strani špediterskih podjetij je podvržen določbam transporta nevarnih snovi. Priprava odpreme in transporta se lahko vrši izključno s strani ustrezno izšolanih oseb. Celoten proces je potrebno strokovno spremljati.

Pri transportu akumulatorjev je potrebno upoštevati sledeče točke:

V izogib kratkim stikom zagotovite, da bodo kontakti zaščiteni in izolirani. Bodite pozorni na to, da paket akumulatorja v notranjosti embalaže ne bo mogel zdrsniti. Poškodovanih ali iztekajočih akumulatorjev ni dovoljeno transportirati. Za nadaljnja navodila se obrnite na vaše špeditersko podjetje.

VZDRŽEVANJE

Pazite na to, da so prezračevalne reže stroja vedno čiste.

Vzdrževanje je treba izvajati vsaj enkrat letno ali po 5000 rezanjih.

Obrabljeno rezalno orodje zamenjajte.

Vzdrževalna dela in popravila se lahko izvajajo zgolj s strani avtoriziranega strokovnega obrata.

Naprava vsebuje hidravlično olje, ki predstavlja nevarnost za podtalnico. Nenadzorovan izpust ali nestrokovno odstranjevanje je kaznivo.

Uporabljajte samo Milwaukee pribor in Milwaukee nadomestne dele. Poskrbite, da sestavne dele, katerih zamenjava ni opisana, zamenjajo v Milwaukee servisni službi (upoštevajte brošuro Garancija aslovi servisnih služb).

Po potrebi se lahko pri vaši servisni službi ali direktno pri Techtronic Industries GmbH naroči eksplozijska risba naprave ob navedbi tipa stroja in številke s tipske ploščice Techtronic Industries GmbH, Max-Eyth-Straße 10, 71364 Winnenden, Germany.

CE-IZJAVA O KONFORMNOSTI

S polno odgovornostjo izjavljamo, da izdelek, opisan pod „Tehnični podatki“ izpolnjuje vse ustrezne določbe direktiv

2011/65/EU (RoHS)

2006/42/ES

2014/30/EU

ter da so bili uporabljeni naslednji harmonizirani standardi

EN 62841-1:2015

EN 55014-1:2017+A11:2020

EN 55014-2:2015

EN IEC 63000:2018



Winnenden, 2020-11-26

Alexander Krug / Managing Director

Pooblaščen za izdelavo spisov tehnične dokumentacije.

Techtronic Industries GmbH

Max-Eyth-Straße 10, 71364 Winnenden, Germany

SIMBOLI



POZOR! OPOZORILO! NEVARNO!



Prosimo, da pred uporabo pozorno preberete to navodilo za uporabo.



Pri delu s strojem vedno nosite zaščitna očala.



Nevarnost električnega udara



Z rokami ne segajte v bližino rezalnega orodja ali drugih premikajočih se delov. Prsti lahko zaidejo v rezalni mehанизem, ki jih lahko odreže ali poškoduje.



Pred vsemi deli na stroji odstranite izmenljivi akumulator.



Oprema – ni vsebovana v obsegu dobave, priporočeno dopolnilo iz programa opreme.



Električnih naprav ni dovoljeno odstranjevati skupaj z gospodinjstskimi odpadki. Električne in elektronske naprave je potrebno zbirati ločeno in za okolju prijazen odstranitev, oddati podjetju za reciklažo. Pri krajevnem uradu ali vašem strokovnem prodajalcu se pozanimajte glede reciklažnih dvorišč in zbirnih mest.



Evropska oznaka za združljivost



Britanska oznaka za združljivost



Ukrajinska oznaka za združljivost



Evrazijska oznaka za združljivost



TEHNIČKI PODACI Elektro-hidraulična presa na baterije	M18 HKP
Broj proizvodnje	4560 30 03... ... 000001-999999
Napon baterije za zamjenu	18 V
sila stiskanja	60 kN
Promjer max.	100 mm
Jačina materijala max. Čelik Plemeniti čelik	3,0 mm 2,5 mm
Težina po EPTA-proceduri 01/2003 (Li-Ion 2,0 Ah)	2,0 kg
Informacije o buci	
Mjerne vrijednosti utvrđene odgovarajuće EN 62841. A-ocijenjeni nivo buke aparata iznosi tipično:	
Nivo pritiska zvuka (Nesigurnost $K=3dB(A)$)	65,8 dB (A)
Nivo učinka zvuka (Nesigurnost $K=3dB(A)$)	76,8 dB (A)
Nositi zaštitu sluha!	
Informacije o vibracijama	
Ukupne vrijednosti vibracije (Vektor suma tri smjersu odmerjene odgovarajuće EN 62841	
Vrijednost emisije vibracije _h	1,28 m/s ²
Nesigurnost $K=$	1,5 m/s ²



Hrv

UPOZORENIE!

Ova u ovim uputama navedena razina titranja je bila izmjerena odgovarajuće jednom u EN 62841 normiranom mjernom postupku i može se upotrijebiti za usporedbu električnog alata međusobno. Ona je prikladna i za privremenu procjenu titrajnog opterećenja.

Navedena razina titranja reprezentira glavne primjene električnog alata. Ukoliko se električni alat upotrebljava u druge svrhe sa odstupajućim primijenjenim alatima ili nedovoljnim održavanjem, onda razina titranja može odstupati. To može titrajno opterećenje kroz cijeli period rada bitno povisiti.

Za točnu procjenu titrajnog opterećenja se moraju uzeti u obzir i vremena u kojima je uređaj isključen ili u kojima doduše radi, ali nije i stvarno u upotrebi. To može titrajno opterećenje bitno smanjiti za vrijeme cijelog radnog perioda.

Utvrđite dodatne sigurnosne mjere za zaštitu poslužioaca protiv djelovanja titranja kao npr.: Održavanje električnih alata i upotrebljenih alata, održavanje topline ruku, organizacija i radne postupke.

⚠ UPOZORENIE Pročitajte sve sigurnosne upute, napomene, prikaze i podatke koje dobijete uz uređaj. Ako se ne bi poštivala napomene o sigurnosti i upute to bi moglo uzrokovati strujni udar, požar i/ili teške ozljede.

Sačuvajte sve napomene o sigurnosti i upute za buduću primjenu.

⚠ SIGURNOSNE UPUTE ZA ŠTANCE

Upotrebljavati zaštitnu opremu. Kod radova na stroju uvijek nositi zaštitne naočale. Preporučuje se zaštitna odjeća, kao zaštitna maska protiv prašine, zaštitne rukavice, čvrste i protiv klizanja sigurne cipele, šljem i zaštitu sluha.

Ruke i odjeću neprijepnu uz tijelo držati dalje od alatki za rezanje i drugih pokretnih dijelova.

Prije svake uporabe provjerite ima li na alatkama za rezanje pukotina i drugih znakova ishabanosti. Alatke za rezanje i uređaje za rezanje koristite u tehnički besprijekornom stanju.

Uređaj se smije koristiti samo s ugrađenom alatkom za rezanje.

Provjerite je li nominalni unutarnji dijametar matrice odgovara nominalnom unutarnjem dijametru pečata.

Koristite alatku samo s pečatima i matricama koji su registrirani za maks. nominalnu snagu. Drugi mogu prouzročiti povrede ili oštećenja.

Držite alatke za rezanje oštrima i čistima. Ispravno održavane alatke za razanje s oštrim ivicama rjeđe se uklješćuju i lakše ih je kontrolirati.

Ne koristite ih u ili u blizini strujnih ormarića pod naponom. Radite samo na strujnim ormarićima isključenim s napona.

Uređaj se nakon dostizanja krajnjeg položaja ne isključuje automatski. Kada je radni proces završen, pustite prekidač i pritisnike prekidač za deblokiranje.

Kod smetnji tijekom presovanja odmah pustite prekidač EIN i pritisnike gumb hidraulike za otpuštanje. Ventil se otvara a klip se vraća na polaznu poziciju.

Oštećenja odmah dati na popravak autoriziranoj stručnoj radionici.

Obvezno se pridržavati održavanja i intervala održavanja.

Prije svih radova na stroju izvaditi bateriju za zamjenu.

UPOZORENIE! Zbog izbjegavanja opasnosti od požara jednim kratkim spojem, opasnosti od ozljeda ili oštećenja proizvoda, alat, izmjenjivi akumulator ili napravu za punjenje ne uronjavati u tekućine i pobrinite se za to, da u uređaje ili akumulator ne prodiru nikakve tekućine. Korozirajuće ili vodljive tekućine kao slana voda, određene kemikalije i sredstva za bijeljenje ili proizvodi koji sadrže sredstva bijeljenja, mogu prouzročiti kratak spoj.

Baterije sistema M18 puniti samo sa uređajem za punjenje sistema M18. Ne puniti baterije iz drugih sistema.

Baterije za zamjenu i uređaje za punjenje ne otvarati i čuvati ih samo u suhim prostorijama. Čuvati protiv vlage.

PROPISNIA UPOTREBA

Elektro-hidraulična presa na baterije isključivo se smije koristiti za rezanje u čeliku i plemenitom čeliku sa za to predviđenim pečatom i matricama.

BATERIJE

Baterije koje duže vremena nisu korištene, prije upotrebe napuniti. Temperatura od preko 50°C smanjuje učinak baterija. Duže zagrijavanje od strane sunca ili grijanja izbjeci.

Priključne kontakte na uređaju za punjenje i baterijama držati čistima.

Za optimalni vijek trajanja se akumulatori poslije upotrebe moraju sasvim napuniti.

Za što moguće duži vijek trajanja, akumulatori se nakon punjenja moraju odstraniti iz punjača.

Kod skladištenja akumulatora duže od 30 dana: Akumulator skladištiti na suhom kod ca. 27°C. Akumulator skladištiti kod ca. 30%-50% stanja punjenja. Akumulator ponovno napuniti svakih 6 mjeseci.

Istrošene baterije za zamjenu ne bacati u vatru ili u kućno smeće. Milwaukee nudi mogućnost uklanjanja starih baterija odgovarajuće okolini. Milwaukee nudi mogućnost uklanjanja starih baterija odgovarajuće okolini; upitajte molimo Vašeg stručnog trgovca.

Baterije za zamjenu ne čuvati skupa sa metalnim predmetima (opasnost od kratkog spoja).

Pod ekstremnim opterećenjem ili ekstremne temperature može iz oštećenih baterija iscuriti baterijska tekućina. Kod dodira sa baterijskom tekućinom odmah isprati sa vodom i sapunom. Kod kontakta sa očima odmah najmanje 10 minuta temeljno ispirati i odmah potražiti liječnika.

U prostor za punjenje baterija u uređaju za punjenje ne smiju dospijeti metalni dijelovi (opasnost od kratkog spoja).

TRANSPORT LITIJSKIH IONSKIH BATERIJA

Litijske-ionske baterije spadaju pod zakonske odredbe u svezi transporta opasne robe.

Prijevoz ovih baterija mora uslijediti uz poštivanje lokalnih, nacionalnih i internacionalnih propisa i odredaba.

Korisnici mogu bez ustručavanja ove baterije transportirati po cestama.

Komercijalni transport litijsko-ionskih baterija od strane transportnih poduzeća spada pod odredbe o transportu opasne robe. Otpremničke pripreme i transport smiju izvoditi isključivo odgovarajuće školovane osobe. Kompletni proces se mora pratiti na stručan način.

Kod transporta baterija se moraju poštivati sljedeće točke:

Uvjerite se da su kontakti zaštićeni i izolirani kako bi se izbjegli kratki spojevi. Pazite na to, da blok baterija unutar pakiranja ne može proklizavati. Oštećene ili iscurjele baterije se ne smiju transportirati. U svezi ostalih uputa obratite se vašem prijevoznom poduzeću.

ODRŽAVANJE

Proreze za prozračivanje stroja uvijek držati čistima.

Servisiranje se mora izvršiti najmanje jednom godišnje ili nakon 5.000 postupaka rezanja.

Zamijenite istrošene alatkne za rezanje.

Radove održavanja i popravke smiju izvoditi samo autorizirane stručne radionice.

Uređaj sadrži hidrauličko ulje, koje predstavlja opasnost za podzemnu vodu. Nekontrolirano ispuštanje i nestručno zbrinjavanje se kažnjava.

Primijeniti samo Milwaukee opremu i Milwaukee rezervne dijelove. Sastavne dijelove, čija zamjena nije opisana, dati zamijeniti kod jedne od Milwaukee servisnih službi (poštivati brošuru Garancija/ Adrese servisa).

Po potrebi se može zatražiti crtež eksplozije aparata uz davanje podataka o tipu stroja i desetoznamenkastog broja na pločici snage kod Vaše servisne službe ili direktno kod Techtronic Industries GmbH, Max-Eyth-Straße 10, 71364 Winnenden, Germany.

CE-IZJAVA KONFORMNOSTI

Izjavljujemo pod vlastitom odgovornošću da proizvod opisan u odjeljku „Tehnički podaci“ ispunjava sve potrebne odredbe smjernica

2011/65/EU (RoHS)

2006/42/EC

2014/30/EU

i da su korišteni sljedeći usklađeni standardi

EN 62841-1:2015

EN 55014-1:2017+A11:2020

EN 55014-2:2015

EN IEC 63000:2018



Winnenden, 2020-11-26

Alexander Krug / Managing Director

Ovlašten za formiranje tehničke dokumentacije.

Techtronic Industries GmbH

Max-Eyth-Straße 10, 71364 Winnenden, Germany

SIMBOLI



PAŽNJA! UPOZORENIE! OPASNOST!



Molimo da pažljivo pročitate uputu o upotrebi prije puštanja u rad.



Kod radova na stroju uvijek nositi zaštitne naočale.



Opasnost od strujnog udara



Ruke i odjeću nepripienu uz tijelo držati dalje od alatkne za rezanje i drugih pokretnih dijelova. Prsti mogu dospjeti u mehanizam za rezanje te ih tako odsjeći ili povrijediti.



Prije svih radova na stroju izvaditi bateriju za zamjenu.



Oprema - u opsegu isporuke nije sadržana, preporučena dopuna iz promograma opreme.



Električni uređaji se ne smiju zbrinjavati skupa sa kućnim smećem. Električni uređaji se moraju skupljati odvojeno i predati na zbrinjavanje primjereno okolišu jednom od pogona za iskorišćavanje. Raspitajte se kod mjesnih vlasti ili kod stručnog trgovca u svezi gospodarstva za recikliranje i mjesta skupljanja.



Europski znak suglasnosti



Britanski znak suglasnosti



Ukrajinski znak suglasnosti



Euroazijski znak suglasnosti



TEHNISKIE DATI Ar akumulatoru darbināma elektrohidrauliskā štance	M18 HKP
Izlaides numurs	4560 30 03... ... 000001-999999
Akumulātorā spriegums	18 V
presēšanas spēks	60 kN
Diametrs maksimālais	100 mm
Materiāla biežums maksimālais Tērauds Nerūsējošais tērauds	3,0 mm 2,5 mm
Svars atbilstoši EPTA - Procedure 01/2003 (Li-Ion 2,0 Ah)	2,0 kg
Trokšņu informācija	
Vērtības, kas noteiktas saskaņā ar EN 62841. A novērtētās aparātūras skaņas līmenis ir:	
Trokšņa spiediena līmenis (Nedrošība K=3dB(A))	65,8 dB (A)
Trokšņa jaudas līmenis (Nedrošība K=3dB(A))	76,8 dB (A)
Nēsāt trokšņa slāpētāju!	
Vibrāciju informācija	
Svārstību kopējā vērtība (Trīs virzienu vektoru summtiek noteikta atbilstoši EN 62841.	
svārstību emisijas vērtība, Nedrošība K=	1,28 m/s ² 1,5 m/s ²



UZMANĪBU!

Instrukcijā norādītā svārstību robežvērtība ir izmērīta mērījumu procesā, kas veikts atbilstoši standartam EN 62841, un to var izmantot elektroinstrumentu savstarpējai salīdzināšanai. Tā ir piemērota arī svārstību noslogojuma pagaidu izvērtēšanai. Norādītā svārstību robežvērtība ir reprezentatīva elektroinstrumenta pamata pielietojuma jomām. Tomēr, ja elektroinstrumenti tiek pielietoti citās jomās, papildus izmantojot neatbilstošus elektroinstrumentus vai pēc nepietiekamas tehniskās apkopes, tad svārstību robežvērtība var atšķirties. Tas var ievērojami palielināt svārstību noslogojumu visa darba laikā. Precīzai svārstību noslogojuma noteikšanai, ir jāņem vērā arī laiks, kad ierīces ir izslēgtas vai arī ir ieslēgtas, tomēr faktiski netiek lietotas. Tas var ievērojami samazināt svārstību noslogojumu visa darba laikā. Integriējiet papildus drošības pasākumus pret svārstību ietekmi lietotājam, piemēram: elektroinstrumentu un darba instrumentu tehniskā apkope, roku siltuma uzturēšana, darba procesa organizācija.

⚠ UZMANĪBU Izlasiet visus drošības norādījumus, instrukcijas, attēlus un datus, ko saņemat kopā ar ierīci. Šeit sniegto drošības noteikumu un norādījumu neievērošana var izraisīt aizdegšanos un būt par cēloni elektriskajam triecienam vai nopietnam savainojumam.
Pēc izlasīšanas uzglabājiet šos noteikumus turpmākai izmantošanai.

⚠ DROŠĪBAS NORĀDĪJUMI, LIETOJOT ŠTANCES

Jāizmanto aizsargaprīkojums. Strādājot ar mašīnu, vienmēr jānēsā aizsargbrilles. Ieteicams nēsāt aizsargapģērbu, kā piemēram, aizsargmasku, aizsargcimdus, kurpes no stingra un neslidīga materiāla, ķiveri un ausu aizsargus.

Nepietuviniet rokas un brīvu apģērbu griezējinstrumentiem un citām kustīgām detaļām.

Katreiz pirms lietošanas pārbaudiet, vai griezējinstrumentiem nav plaisu un citu nodiluma pazīmju. Lietojiet tikai tehniski nevainojamus griezējinstrumentus un griezējierīces.

Ierīci drīkst lietot tikai kopā ar ievietotu griezējinstrumentu.

Pārbaudiet, vai matricas nominālais platums atbilst puansona nominālajam platumam.

Lietojiet instrumentu tikai ar puansoniem un matricām, kuri ir atļauti maks. nominālajam spēkam. Citādi piederumi var izraisīt savainojumus vai bojājumus.

Nodrošiniet, lai griezējinstrumenti būtu asi un tīri. Pareizi kopti griezējinstrumenti mazāk iesprūst un ir vieglāk kontrolējami.

Nelietojiet instrumentu sadales kārbās, kurās ir spriegums, vai to tuvumā. Strādājiet tikai pie sadales kārbām, kas ir atslēgtas no sprieguma.

Pēc gala pozīcijas sasniegšanas ierīce automātiski neizslēdzas.

Pēc darba pabeigšanas atļaidiet slēdzi un nospiediet atbloķēšanas slēdzi.

Ja presēšanas laikā rodas traucējumi, uzreiz atļaidiet ieslēgšanas slēdzi un nospiediet hidrauliskās sistēmas atbloķēšanas pogu. Atveras ventilis atveras un virzulis atgriežas sākuma pozīcijā.

Bojājumu rašanās gadījumā nekavējoties nodot rīku labošanai specializētā servisā.

Obligāti veikt iekārtas apkopi un stingri ievērot apkopes intervālus.

Pirms mašīnai veikt jebkāda veida apkopes darbus, ir jāizņem ārā akumulators.

UZMANĪBU! Lai novērstu savienojuma izraisītu aizdegšanās, savienojumu vai produkta bojājuma risku, neiegremdējiet instrumentu, maināmo akumulatoru vai uzlādes ierīci šķidrums un rūpējieties par to, lai ierīces un akumulatoros neiekļūtu šķidrums. Koroziju izraisoši vai vadītspējīgi šķidrums, piemēram, sālsūdens, noteiktas ķīmiskāji, balinātāji vai produkti, kas satur balinātājus, var izraisīt savienojumu.

M18 sistēmas akumulatorus lādēt tikai ar M18 sistēmas lādētājiem. Nedrīkst lādēt citus akumulatorus no citām sistēmām.

Akumulatorus un lādētājus nedrīkst taisīt valā un tie jāuzglabā sausās telpās.

NOTEIKUMIEM ATBILSTOŠS IZMANTOJUMS

Ar akumulatoru darbināmu elektrohidraulisko štanci drīkst lietot tikai tērauda un nerūsējošā tērauda griešanai kopā ar šim nolūkam paredzētiem puansoniem un matricām.

AKUMULĀTORI

Akumulātori, kas ilgāku laiku nav izmantoti, pirms lietošanas jāuzlādē. Pie temperatūras, kas pārsniedz 50°C, akumulatoru darbība tiek negatīvi ietekmēta. Vajag izvairīties no ilgākas saules un karstuma iedarbības.

Lādētāja un akumulatoru pievienojuma kontakti jāuztur tīri.

Lai baterijas darba ilgums būtu optimāls, pēc iekārtas izmantošanas tā jāuzlādē.

Lai akumulatori kalpotu pēc iespējas ilgāku laiku, tos pēc uzlādes ieteicams atvienot no lādētāj ierīces.

Akumulatora uzglabāšana ilgāk kā 30 dienas: uzglabāt akumulatoru pie aptuveni 27°C un sausā vietā. Uzglabāt akumulatoru uzlādes stāvoklī aptuveni pie 30%-50%. Uzlādēt akumulatoru visus 6 mēnešus no jauna.

Izmantotos akumulārus nedrīkst mest ugunī vai parastajos atkritumos. Firma Milwaukee piedāvā iespēju vecos akumulātorus savākt apkārtejo vidi saudzējošā veidā; jautājiet specializētā veikalā.

Akumulātorus nav ieteicams glabāt kopā ar metāla priekšmetiem (iespējams īsslēgums).

Pie ārkārtas slodzes un ārkārtas temperatūrām no bojātā akumulātorā var izteciēt akumulātorā šķidrums. Ja nonākat saskarsmē ar akumulātorā šķidrumu, saskarsmes vieta nekavējoties jānomazgā ar ūdeni un ziepēm. Ja šķidrums nonācis acīs, acis vismaz 10 min. skalot un nekavējoties konsultēties ar ārstu.

Jāuzmanās, lai akumulātoru lādētājā nenokļūtu nekādi metāla priekšmeti (iespējams īsslēgums).

LITIJA JONU AKUMULĀTORU TRANSPORTĒŠANA

Uz litija jonu akumulatoriem attiecas noteikumi par bīstamo kravu pārvadāšanu.

Šo akumulatoru transportēšana jāveic saskaņā ar vietējiem, valsts un starptautiskajiem normatīvajiem aktiem un noteikumiem.

Patērētāja darbības, pārvadājot šos akumulatorus pa autoceļiem, nav reglamentētas.

Uz litija jonu akumulatoru komerciālu transportēšanu, ko veic ekspedīcijas uzņēmums, attiecas bīstamo kravu pārvadāšanas noteikumi. Sagatavošanas darbus un transportēšanu drīkst veikt tikai atbilstoši apmācīts personāls. Viss process jāveda profesionāli.

Veicot akumulatoru transportēšanu, jāievēro:

Pārliecinieties, ka kontakti ir aizsargāti un izolēti, lai izvairītos no īssavienojumiem. Pārliecinieties, ka akumulators iepakojumā nevar paslīdēt. Bojātus vai tekošus akumulatorus nedrīkst transportēt. Plašāku informāciju Jūs varat saņemt no ekspedīcijas uzņēmuma.

APKOPE

Vajag vienmēr uzmanīti, lai būtu tīras dzesēšanas atveres.

Apkope jāveic vismaz reizi gadā vai pēc 5000 griešanas reizēm.

Nomainiet nodilušus griezējinstrumentus.

Apkopes darbus un remontdarbus drīkst veikt tikai autorizēti specializētie servisi.

Iekārtā atrodas hidrauliskā eļļa, kas rada draudus gruntsūdeniem. Nekontrolēta eļļas noplūde vai nekompetenta tās iznīcināšana ir sodāma.

Izmantojiet tikai firmu Milwaukee piederumus un firmas Milwaukee rezerves daļas. Lieciet nomainīt detaļas, kuru nomaiņa nav aprakstīta, kādā no firmu Milwaukee klientu apkalpošanas servisiem. (Skat. brošūru „Garantija/klientu apkalpošanas serviss“.)

Ja nepieciešams, klientu apkalpošanas servisā vai tieši pie firmas Techtronic Industries GmbH, Max-Eyth-Straße 10, 71364 Winnenden, Germany, var pieprasīt instrumenta numurs, kas norādīts uz jaudas panela.

ATBILSTĪBA CE NORMĀM

Mēs ar pilnu atbildību paziņojam, ka izstrādājums, kas raksturots šajā „Tehniskie dati“, atbilst visām attiecīgajām prasībām direktīvās

2011/65/ES (RoHS)

2006/42/EK

2014/30/ES

un ir piemēroti šādi saskaņotie standarti

EN 62841-1:2015

EN 55014-1:2017+A11:2020

EN 55014-2:2015

EN IEC 63000:2018



Winnenden, 2020-11-26

Alexander Krug / Managing Director
Pilnvarotais tehniskās dokumentācijas sastādīšanā.

Techtronic Industries GmbH
Max-Eyth-Straße 10, 71364 Winnenden, Germany

SIMBOLI



UZMANĪBU! BĪSTAMI!



Pirms sākt lietot instrumentu, lūdz, izlasiet lietošanas pamācību.



Strādājot ar mašīnu, vienmēr jānēsā aizsargbrilles.



Elektriskā trieciena risks



Nepietuviniet rokas griezējinstrumentam un citām kustīgām detaļām. Pirksti var iekļūt griezēj mehānismā un tikt amputēti vai savainoti.



Pirms mašīnai veikt jebkāda veida apkopes darbus, ir jāizņem arī akumulātors.



Piederumi - standartaprikojumā neietvertās, bet ieteicamās papildus komplektācijas detaļas no piederumu programmas.



Elektroiekārtas nedrīkst izmest kopā ar sadzīves atkritumiem. Elektriskās un elektroniskās iekārtas ir jāsavāc atsevišķi un jānodod pārstrādes uzņēmumam, kas no tām atbrīvosies dabai draudzīgā veidā. Meklējiet otrreizējās pārstrādes poligonus un savākšanas punktus vietējās pārvaldes iestādēs vai pie preces pārdevēja.



Eiropas atbilstības zīme



Lielbritānijas atbilstības zīme



Ukrainas atbilstības zīme



Eiropas Savienības atbilstības zīme



Lat

TECHNINIAI DUOMENYS Akumuliatoriui varomas elektrohidraulinis pramuštuvas	M18 HKP
Produkto numeris	4560 30 03... ... 000001-999999
Keičiamo akumuliatoriaus įtampa	18 V
presavimo jėga	60 kN
Skersmuo maks.	100 mm
Medžiagos storis maks. Plieną Taurusis plienas	3,0 mm 2,5 mm
Prietaiso svoris įvertintas pagal EPTA 2003/01 tyrimų metodiką (Li-Ion 2,0 Ah)	2,0 kg
Informacija apie keliamą triukšmą Vertės matuotos pagal EN 62841. Įvertintas A įrenginio keliamo triukšmo lygis dažniausiai sudaro:	
Garso slėgio lygis (Paklaida K=3dB(A))	65,8 dB (A)
Garso galios lygis (Paklaida K=3dB(A))	76,8 dB (A)
Nešioti klausos apsaugines priemones!	
Informacija apie vibraciją Bendroji svyravimų reikšmė (trijų krypčių vektorių suma), nustatyta remiantis EN 62841.	
Vibravimų emisijos reikšmė _a	1,28 m/s ²
Paklaida K=	1,5 m/s ²



DĖMESIO!

Instrukcijoje nurodyta svyravimų ribinė vertė yra išmatuota remiantis standartu EN 62841; ji gali būti naudojama keliems elektriniams instrumentams palyginti. Ji taikoma ir laikinai įvertinti svyravimų aprova.

Nurodyta svyravimų ribinė vertė yra taikoma pagrindinėse elektrinio instrumento naudojimo srityse. Svyravimų ribinė vertė gali skirtis naudojant elektrinį instrumentą kitose srityse, papildomai naudojant netinkamus elektrinius instrumentus arba juos nepakankamai techniškai prižiūrint. Dėl to viso darbo metu gali žymiai padidėti svyravimų aprova.

Siekiant tiksliai nustatyti svyravimų aprova, būtina atsižvelgti ir į laikotarpį, kai įrenginys yra išjungtas arba įjungtas, tačiau faktiškai nenaudojamas. Dėl to viso darbo metu gali žymiai sumažėti svyravimų aprova.

Siekiant apsaugoti vartotojus nuo svyravimo įtakos naudojamos papildomos saugos priemonės, pavyzdžiui, elektrinių darbo instrumentų techninė priežiūra, rankų šilumos palaikymas, darbo procesų organizavimas.

⚠ DĖMESIO Perskaitykite visas saugos nuorodas, instrukcijas, iliustracijas ir duomenis, kuriuos gaunate su prietaisu. Jei nepaisysite žemiau pateiktų saugos nuorodų ir reikalavimų, gali trenkti elektros smūgis, kilti gaisras ir/arba galite sunkiai susižaloti arba sužaloti kitus asmenis.
Išsaugokite šias saugos nuorodas ir reikalavimus, kad ir ateityje galėtumėte jais pasinaudoti.

⚠ PRAMUŠTUVŲ SAUGOS NUORODOS

Dėvėkite apsaugines priemones. Dirbdami su įrenginiu visada nešiokite apsauginius akinius. Rekomenduotina dėvėti apsaugines priemones: apsaugos nuo dulkių respiratorius, apsaugines pirštines, kietus batus neslidžiais padais, šalną ir klausos apsaugos priemones.

Rankas ir laisvus drabužius laikykite atokiau nuo kirpimo įrankių ir kitų judančių dalių.

Kaskart prieš naudodami patikrinkite kirpimo įrankius, ar neturi trūkųjų ir kitų susidėvėjimo požymių. Naudokite tik nepriekaištingos techninės būklės kirpimo įrankius ir kirpimo prietaisus.

Prietaisą leidžiama naudoti tik su įstatytu kirpimo įrankiu.

Patikrinkite, ar matricos vardinis skersmuo sutampa su štampos vardiniu skersmeniu.

Įrankį naudokite tik su tais štampais ir matricomis, kurie yra patvirtinti maks. vardinėi jėgai. Kiti gali sukelti sužalojimus ar pažeidimus.

Prižiūrėkite, kad pjovimo įrankiai būtų aštrūs ir švarūs. Teisingai prižiūrimi pjovimo įrankiai su aštriomis pjovimo briaunomis stringa mažiau ir yra lengviau kontroliuojami.

Nenaudokite įtampą turinčiose skirstomosiose dėžėse ar arti jų. Dirbkite tik prie nuo įtampos atjungtų skirstomųjų dėžių.

Prietaisas neišsijungia automatiškai, pasiekęs galinę padėtį. Kai darbo procesas baigtas, atleiskite jungiklį ir nuspauskite atrakinimo jungiklį.

Kilus sutrikimams suspaudimo proceso metu, nedelsdami atleiskite įjungimo jungiklį ir nuspauskite hidraulinės įrangos atrakinimo rankenėlę. Atsidaro vožtuvas ir stūmoklis grįžta į pradinę padėtį.

Remontuoti pažeidimus nedelsdami paveskite įgaliotoms dirbtuvėms.

Būtina vykdyti techninę priežiūrą ir laikytis jos atlikimo intervalų.

Prieš atlikdami bet kokius darbus įrenginyje, išimkite keičiamą akumuliatorių.

DĖMESIO! Siekdami išvengti trumpojo jungimo sukeltą gaisro pavojų, sužalojimų arba produkto pažeidimų, nekiskite įrankio, keičiamo akumuliatoriaus arba įkroviklio į skysčius ir pasirūpinkite, kad į prietaisus arba akumuliatorius nepatektų jokių skysčių. Koroziją sukeltiantys arba laidūs skysčiai, pvz., sūrus vanduo, tam tikri cheminiai ir balikliai arba produktai, kurių sudėtyje yra baliklių, gali sukelti trumpąjį jungimą.

Keičiamus M18 sistemos akumuliatorius kraukite tik „M18“ sistemos įkrovikliais. Nekraukite kitų sistemų akumuliatorių.

Keičiamų akumuliatorių ir įkroviklių nelaikykite atvirai. Laikykite tik sausoje vietoje. Saugokite nuo drėgmės.

NAUDOJIMAS PAGAL PASKIRTĮ

Akumuliatoriui varomą elektrohidraulinį pramuštuvą leidžiama naudoti tik pjovimui į plieną ir taurųjį plieną su tam numatytu štampu ir matricomis.

AKUMULIATORIAI

Ilgesnį laiką nenaudotus keičiamus akumuliatorius prieš naudojimą įkraukite. Aukštesnė nei 50°C temperatūra mažina keičiamų akumuliatorių galą. Venkite ilgesnio saulės ar šilumos šaltinių poveikio.

Įkroviklio ir keičiamo akumuliatoriaus jungiamieji kontaktai visada turi būti švarūs.

Kad prietaisas kuo ilgiau veiktų, pasinaudoję juo, iki galo įkraukite akumuliatorius.

Siekiant užtikrinti kuo ilgesnį baterijos tarnavimo laiką, reikėtų ją po atlikto įkrovimo iškart išimti iš įkroviklio.

Bateriją laikant ilgiau nei 30 dienų, būtina atkreipti dėmesį į šias nuorodas: bateriją laikyti sausoje aplinkoje, esant apie 27 °C temperatūrai. Baterijos įkrovimo lygis turi būti nuo 30% iki 50%. Baterija pakartotinai turi būti įkraunama kas 6 mėnesius.

Sunaudotų keičiamų akumuliatorių nedeginkite ir nemeskite į buitines atliekas. „Milwaukee“ siūlo tausojantį aplinką sudėvėtų keičiamų akumuliatorių tvarkymą, apie tai prekybos atstovo.

Keičiamų akumuliatorių nelaikykite kartu su metaliniais daiktais (trumpojo jungimo pavojus).

Ekstremalių apkrovų arba ekstremalios temperatūros poveikyje iš keičiamų akumuliatorių gali ištėkėti akumuliatoriaus skystis. Išsitempus akumuliatoriaus skysčių, tuoj pat nuplaukite vandeniu su muilu. Patekus į akis, tuoj pat ne trumpiau kaip 10 minučių gausiai skalaukite vandeniu ir tuoj pat kreipkitės į gydytoją.

Į įkroviklių keičiamiems akumuliatoriams įstatymui skirtą vamzdį turi nepatekti jokios metalinės dalys (trumpojo jungimo pavojus).

LIČIO JONŲ AKUMULIATORIŲ PERVEŽIMAS

Ličio jonų akumuliatoriams taikomos įstatyminės nuostatos dėl pavojingų krovinių pervežimų.

Šiuos akumuliatorius pervežti būtina laikantis vietinių, nacionalinių ir tarptautinių direktyvų ir nuostatų.

Naudotojai šiuos akumuliatorius gali naudoti savo transporte be jokių kitų sąlygų.

Už komercinį ličio jonų akumuliatorių pervežimą atsako ekspedicijos įmonė pagal nuostatas dėl pavojingų krovinių pervežimo. Pasiruošimo išsiųsti ir pervežimo darbus gali atlikti tik atitinkamai išmokyti asmenys. Visas procesas privalo būti prižiūrimas.

Pervežant akumuliatorius būtina laikytis šių punktų:

Siekiant išvengti trumpųjų jungimų, įsitikinkite, kad kontaktai yra apsaugoti ir izoliuoti. Atkreipkite dėmesį, kad akumuliatorius pakutės viduje neslidinėtų. Draudžiama pervežti pažeistus arba tekančius akumuliatorius. Dėl detalesnių nurodymų kreipkitės į savo ekspedicijos įmonę.

TECHNINIS APTARNAVIMAS

Įrenginio vėdinimo angos visada turi būti švarios.

Techninę priežiūrą reikia atlikti ne rečiau kaip kartą per metus arba po 5000 kirpimo procesų.

Pakeiskite susidėvėjusius kirpimo įrankius.

Techninės priežiūros ir remonto darbus gali atlikti tik įgaliotos specialios dirbtuvės.

Prietaise yra hidraulinės alyvos, kuri kelia pavojų gruntiniams vandenims. Už jos išleidimą arba netinkamą utilizavimą gresia bauda. Naudokite tik „Milwaukee“ priedus ir „Milwaukee“ atsargines dalis. Dalis, kurių keitimas neaprašytas, leidžiama keisti tik „Milwaukee“ klientų aptarnavimo skyriams (žr. garantiją/klientų aptarnavimo skyrių adresus brošiuroje).

Jei reikia, nurodant įrenginio tipą bei specifikacijų lentelėje esantį numerį, iš klientų aptarnavimo skyriaus arba tiesiai iš Techtronic Industries GmbH, Max-Eyth-Straße 10, 71364 Winnenden, Germany, galima užsisakyti prietaiso surinkimo brėžinius.

CE ATITIKTIES PAREIŠKIMAS

Prisiimdami visą atsakomybę pareiškiame, kad gaminys, aprašytas „Techniniuose duomenyse“, atitinka taikomus reikalavimus, išdėstytus direktyvose

2011/65/ES (RoHS)

2006/42/EB

2014/30/ES

ir buvo taikyti šie darnieji standartai

EN 62841-1:2015

EN 55014-1:2017+A11:2020

EN 55014-2:2015

EN IEC 63000:2018



Winnenden, 2020-11-26

Alexander Krug / Managing Director

Įgaliotas parengti techninius dokumentus.

Techtronic Industries GmbH

Max-Eyth-Straße 10, 71364 Winnenden, Germany

SIMBOLIAI



DĖMESIO! ĮSPĖJIMAS! PAVOJUS!



Prieš pradėdami dirbti su prietaisu, atidžiai perskaitykite jo naudojimo instrukciją.



Dirbdami su įrenginiu visada nešiokite apsauginius akinius.



Elektros smūgio pavojus



Rankas laikykite atokiau nuo kirpimo įrankio ir kitų judančių dalių. Pirštai gali patekti į kirpimo mechanizmą ir būti nukirpti arba sužaloti.



Prieš atlikdami bet kokius darbus įrenginyje, išimkite keičiamą akumuliatorių.



Priedas – neįeina į tiekimo komplektaciją, rekomenduojamas papildymas iš priedų asortimento.



Elektros prietaisų negalima išmesti kartu su buitinėmis atliekomis. Būtina rūšiuoti elektros ir elektroninius prietaisus ir atiduoti į atliekų perdirbimo centrą, kad jie būtų utilizuoti netešiant aplinkos. Informacijos apie perdirbimo centrus ir atliekų surinkimo įstaigas teiraukitės vietos įstaigoje arba prekybininko.



Europos atitikties ženklas



Britanijos atitikties ženklas



Ukrainos atitikties ženklas



Eurazijos atitikties ženklas



TEHNILISED ANDMED Akuga käitavat elektrohüdrauliline stants	M18 HKP
Tootmisnumber	4560 30 03... ... 000001-999999
Vahetatava aku pinge	18 V
surujõud	60 kN
Läbimõõt max	100 mm
Materjali paksus max Teras Roostevaba teras	3,0 mm 2,5 mm
Kaal vastavalt EPTA-protseduurile 01/2003 (Li-Ion 2,0 Ah)	2,0 kg
Müra andmed	
Mööteväärtused on kindlaks tehtud vastavalt normile EN 62841. Seadme tüüpiline hinnanguline (müratase):	
Helirõhutase (Määramatus $K=3dB(A)$)	65,8 dB (A)
Helivõimsuse tase (Määramatus $K=3dB(A)$)	76,8 dB (A)
Kandke kaitseks kõrvaklappe!	
Vibratsiooni andmed	
Vibratsiooni koguväärtus (kolme suuna vektorsummamöödetud EN 62841 järgi).	
Vibratsiooni emissiooni väärtus a_h	1,28 m/s ²
Määramatus $K=$	1,5 m/s ²



Est

TÄHELEPANU!

Antud juhendis toodud vonketase on möödetud EN 62841 standardile vastava mõotesüsteemiga ning seda võib kasutada erinevate elektriseadmete omavahelises võrdlemises. Antud näitaja sobib ka esmaseks vonkekoormuse hindamiseks. Antud vonketase kehtib elektriseadme kasutamisel sihtotstarbeliselt. Kui elektriseadet kasutatakse muudel otstarvetel, muude tööriistadega või seda ei hooldata piisavalt võib vonketase siintoodust erineda. Eeltoodu võib vonketaset märkimisväärselt tõsta terves töökeskkonnas.

Vonketaseme täpseks hindamiseks tuleks arvestada ka aega, mil seade on välja lülitatud või on küll sisse lülitatud, kuid ei ole otseselt kasutuses. See võib märgatavalt vähendada kogu töökeskkonna vonketaset.

Rakendage spetsiaalseid ettevaatusabinõusid töötajate suhtes, kes puutuvad töö käigus palju kokku vibratsiooniga. Nendeks abinõudeks võivad olla, näiteks: elektri- ja tööseadmete korraline hooldus, käte soojendamine, töövoo parem organiseerimine.

⚠ TÄHELEPANU Lugege kõik seadmega kaasas olevad ohutusjuhised, juhendid, joonised ja andmed läbi.

Ohutusnõuete ja juhiste eiramise tagajärjeks võib olla elektrilööki, tulekahju ja/või rasked vigastused.

Hoidke kõik ohutusnõuded ja juhised edasiseks kasutamiseks hoolikalt alles.

⚠ OHUTUSJUHISED STANTSIMISEKS

Kasutada kaitsevarustust. Masinaga töötades kandke alati kaitseprille. Kaitseriietusena soovitakse kasutada tolumumaski kaitsekindaid, kinniseid ja libisemisvastase tallaga jalanõusid, kiivrit ja kuulmisteede kaitset.

Hoidke käed ja lahtine riietus löikeinstrumentidest ja teistest liikuvatest osadest eemal.

Kontrollige enne iga kasutamist löikeinstrumentidel pragusid ja muid kulumisnähtusid. Kasutage löikeinstrumente ja löikeseadmeid ainult tehniliselt laitmatu seisukorras.

Seadet tohib kasutada ainult paigaldatud löikeinstrumendiga.

Kontrollige, kaas stantsi nimilais vastab templi nimilausele.

Kasutage tööriista ainult koos vastava lubatud maks. nominaaljõuga templite ja matritsiididega. Teised võivad tekitada vigastusi või kahjustusi.

Hoidke löikeinstrumendid teravad ja puhtad. Õigesti hooldatud teravate löikeservadega löikeinstrumendid kiiluvad vähem kinni ning neid on lihtsam kontrollida.

Ärge kasutage seadet pinge all olevates lülitisilpides või nende lähedal. Töötage ainult väljalülitatud pingega lülitisilpides.

Seade ei lülitu lõppasendi saavutamisel automaatselt välja. Kui tööoperatsiooni on lõpetatud, vabastage lüliti ja vajutage lukustuse vabastuslülitit.

Vabastage pressimisoperatsiooni ajal esinevate värgeste korral SEES-lüliti koheselt lahti ja vajutage hüdraulika torgestussuppu. Ventil avaneb ja kolb liigub lähteasendisse tagasi.

Laske kahjustused kohe volitatud oskustöökogas remontida.

Pidage hooldusest ja hooldusintervallidest kohustuslikult kinni.

Enne kõiki töid masina kallal võtke vahetatav aku välja.

TÄHELEPANU! Lühisest põhjustatud tuleohtu, vigastuste või toote kahjustuste vältimiseks ärge kaske tööriista, vahetusakut ega laadimiseseadet vedelikku ning jälgige, et vedelikke ei tungiks seadmetesse ega akusse. Korrodeeruvad või elektrit juhtivad vedelikud, nagu soolvesi, teatud kemikaalid ja pleegitusained või pleegitusaineid sisaldavad tooted, võivad põhjustada lühisid.

Laadige süsteemi M18 vahetatavaid akusid ainult süsteemi M18 laadijatega. Ärge laadige nendega teiste süsteemide akusid.

Ärge avage vahetatavaid akusid ega laadijaid ning ladustage neid ainult kuivades ruumides. Kaitske niiskuse eest.

KASUTAMINE VASTAVALT OTSTARBELE

Akuga käitavat elektrohüdraulilist stantsi tohib kasutada eranditult ainult terase ja roostevaba terase lõikamiseks koos selleks ettenähtud templite ja matritsiididega.

AKUD

Pikemat aega mittekasutatud akusid laadige veel enne kasutamist. Temperatuur üle 50 °C vähendab vahetatava aku töövoimet. Vältige pikemat soojenemist päikese või kütteseadme mõjul.

Hoidke laadija ja vahetatava aku ühenduskontaktid puhtad.

Optimaalse patarei elua tagamiseks, pärast kasutamist lae patareiplokk täielikult.

Akud tuleks võimalikult pika kasutusea saavutamiseks pärast täislaadimist laadijast välja võtta.

Aku ladustamisel üle 30 päeva: Ladustage akut kuivas kohas on 27°C juures. Ladustage akut on 30-50% laetusseisundis. Laadige aku iga 6 kuu tagant täis.

Ärge visake tarvitatud vahetatavaid akusid tulle ega olmeprügisse. Milvauake pakub vanade akude keskkonnahoidlikku kätlust; palun küsige oma erialaselt tarnijalt.

Ärge säilitage vahetatavaid akusid koos metallsemetega (lühiseht).

Äärmuslikul koormusel või äärmuslikul temperatuuril võib kahjustatud vahetatavat akust akuedelik välja voolata. Akuedelikuga kokku puutumise korral peske kohe vee ja seebiga. Silma sattumise

korral loputage kiiresti põhjalikult vähemalt 10 minutit ning pöörduge viivitamatult arsti poole.

Laadijal olevalse vahetatava aku ühenduskambrisse ei tohi sattuda metalloosi (lühiseoht).

LIITIUMIOONAKUDE TRANSPORTIMINE

Liitiumioonakud on allutatud ohtlike ainete transportimisega seonduvatele õigusaktidele.

Nende akude transportimine peab toimuma kohalikest, siseriiklikest ja rahvusvahelistest eeskirjadest ning määrustest kinni pidades.

Tarbijad tohivad neid akusid edasiste piiranguteta tänaval transportida.

Liitiumioonakude kommertstransport ekspedeerimisettevõtete kaudu on allutatud ohtlike ainete transportimisega seonduvatele õigusaktidele. Tarne-ettevalmistusi ja transporti tohivad teostada eranditult vastavalt koolitatud isikud. Kogu protsessi tuleb asjatundlikult jälgida.

Akude transportimisel tuleb järgida järgmisi punkte:

Tehke kindlaks, et kontaktid on lühiste vältimiseks kaitsitud ja isoleeritud. Pöörake tähelepanu sellele, et akupakk ei saaks pakendis nihkuda. Kahjustatud või välja voolanud akusid ei tohi kasutada. Pöörduge edasiste juhiste saamiseks ekspedeerimisettevõtte poole.

HOOLDUS

Hoidke masina õhutuspiilud alati puhtad.

Hooldus tuleb teostada vähemalt kord aastas või iga 5000 löikeoperatsiooni järel.

Vahetage kulunud löikeinstrumendid.

Hooldus- ja remonditööd tohivad teostada üksnes volitatud oskustöökoad.

Seade sisaldab hüdraulikaõli, mis kujutab endast ohtu põhjaveele. Kontrollimatu väljalaskmine või asjatundmatu utiliseerimine on karistatav.

Kasutage ainult Milwaukee tarvikuid ja Milwaukee tagavaraosi. Detailid, mille väljavahetamist pole kirjeldatud, laske välja vahetada Milwaukee klienditeeninduspunktis (vaadake brošüüri garantii / klienditeeninduste aadressid).

Vajaduse korral võite tellida seadme läbilöikejoonise, näidates ära masina tüübi ja andmesildil oleva numbril. Selleks pöörduge klienditeeninduspunkti või otse: Techtronic Industries GmbH, Max-Eyth-Straße 10, 71364 Winnenden, Germany.

EÜ VASTAVUSAVALDUS

Kinnitame oma ainuvastutusel, et „Tehniliste andmete“ all kirjeldatud toode vastab direktiivide kõigile asjakohastele sätetele 2011/65/EU (RoHS) 2006/42/EU 2014/30/EU ning täidetud on järgmiste ühtlustatud standardite nõuded.

EN 62841-1:2015
EN 55014-1:2017+A11:2020
EN 55014-2:2015
EN IEC 63000:2018



Winnenden, 2020-11-26

Alexander Krug / Managing Director
On volitatud koostama tehnilist dokumentatsiooni.
Techtronic Industries GmbH
Max-Eyth-Straße 10, 71364 Winnenden, Germany

SÜMBOLID



ETTEVAATUST! TÄHELEPANU! OHUD!



Palun lugege enne käiklaskmist kasutusjuhend hoolikalt läbi.



Masinaga töötades kandke alati kaitseprille.



Elektrilöögi oht



Hoidke käed löikeinstrumendist ja teistest liikuvatest osadest eemal. Sõrmed võivad sattuda löikemehhanismi sisse ning maha lõigata või vigastusi saada.



Enne kõiki töid masina kallal võtke vahetatav aku välja.



Tarvikud - ei kuulu tarne komplekti, soovitatav täiendus on saadaval tarvikute programmis.



Elektriseadmeid ei tohi utiliseerida koos majapidamisprügiga. Elektrilised ja elektroonilised seadmed tuleb eraldi kokku koguda ning keskkonnasõbralikuks utiliseerimiseks vastavas käitlusettevõttes ära anda. Küsige kohalikest pädevatest ametitest või edasimüüjalt käitlusjaamade ja kogumispunktide kohta järele.



Euroopa vastavusmärk



Ühendkuningriigi vastavusmärk



Ukraina vastavusmärk



Euraasia vastavusmärk



ТЕХНИЧЕСКИЕ ДАННЫЕ Электрогидравлический пресс на аккумуляторах	M18 НКР
Серийный номер изделия	4560 30 03... ... 000001-999999
Вольтаж аккумулятора	18 V
Номинальное усилие	60 kN
Диаметр макс.	100 mm
Толщина материала макс. Стали Нержавеющая сталь	3,0 mm 2,5 mm
Вес согласно процедуре EPTA 01/2003 (Li-Ion 2,0 Ah)	2,0 kg
Информация по шумам	
Значения замерялись в соответствии со стандартом EN 62841. Уровень шума прибора, определенный по показателю A, обычно составляет:	
Уровень звукового давления (Небезопасность K=3dB(A))	65,8 dB (A)
Уровень звуковой мощности (Небезопасность K=3dB(A))	76,8 dB (A)
Пользуйтесь приспособлениями для защиты слуха.	
Информация по вибрации	
Общие значения вибрации (векторная сумма трех направлений) определены в соответствии с EN 62841.	
Значение вибрационной эмиссии _h	1,28 m/s ²
Небезопасность K=	1,5 m/s ²



ВНИМАНИЕ!

Указанный в настоящем руководстве уровень вибрации измерен в соответствии с технологией измерения, установленной стандартом EN 62841 и может использоваться для сравнения электроинструментов друг с другом. Он также подходит для предварительной оценки вибрационной нагрузки.

Указанный уровень вибрации представляет основные виды использования электроинструмента. Но если электроинструмент используется для других целей, используемый инструмент отклоняется от указанного или техническое обслуживание было недостаточным, то уровень вибрации может отклоняться от указанного. В этом случае вибрационная нагрузка в течение всего периода работы значительно увеличивается. Для точной оценки вибрационной нагрузки необходимо также учитывать время, в течение которого прибор отключен или включен, но фактически не используется. В этом случае вибрационная нагрузка в течение всего периода работы может существенно уменьшиться.

Установите дополнительные меры безопасности для защиты пользователя от воздействия вибрации, например: техническое обслуживание электроинструмента и используемого инструмента, поддержание рук в теплом состоянии, организация рабочих процессов.

⚠ ВНИМАНИЕ Ознакомьтесь с правилами техники безопасности, техническими регламентами, изображениями и данными, прилагаемыми к устройству. Упущения, допущенные при не соблюдении указаний и инструкций по технике безопасности, могут стать причиной электрического поражения, пожара и тяжелых травм.

Сохраняйте эти инструкции и указания для будущего использования.

⚠ ТЕХНИКА БЕЗОПАСНОСТИ ПРИ РАБОТЕ С ПРЕССАМИ

Пользоваться средствами защиты. При работе с инструментом всегда надевайте защитные очки. Рекомендуется спецодежда: пылезащитная маска, защитные перчатки, прочная и нескользящая обувь, каска и наушники.

Держите руки и свободные элементы одежды вдали от режущих инструментов и других движущихся частей. Каждый раз перед использованием режущего инструмента проверяйте его на отсутствие трещин и иных признаков износа. Пользуйтесь режущим инструментом и режущим оборудованием только если они находятся в безупречном техническом состоянии.

Работать с устройством можно только в том случае, если в него вставлен режущий инструмент.

Убедитесь, что номинальная ширина матрицы совпадает с номинальной шириной штампа.

Используйте инструмент только со штампами и матрицами, допущенными для макс. номинального усилия. Использование других штампов и матриц может привести к травмам или повреждениям оборудования.

Следите за тем, чтобы режущие инструменты были острыми и чистыми. Режущий инструмент с острыми лезвиями, получающий надлежащий уход, режет заклинивает и он легче поддается контролю.

Не используйте на распределительных коробках, находящихся под напряжением, или вблизи них. Работайте только с распределительными коробками, не находящимися под напряжением.

После достижения конечного положения устройство не отключается автоматически. По окончании рабочей операции отпустите выключатель и задействуйте выключатель разблокировки.

При возникновении неисправности во время прессования немедленно отпустите выключатель и нажмите кнопку разблокировки гидравлики. Клапан откроется, а поршень вернется в исходное положение.

Повреждения должны незамедлительно устраняться в сертифицированном сервисном центре.

Строго соблюдать указания по техобслуживанию и его интервалам.

Выньте аккумулятор из машины перед проведением с ней каких-либо манипуляций.

ВНИМАНИЕ! Для предотвращения опасности пожара в результате короткого замыкания, травм и повреждения изделия не опускайте инструмент, сменный аккумулятор или зарядное устройство в жидкости и не допускайте попадания жидкостей внутрь устройств или аккумуляторов. Коррозионные и проводящие жидкости, такие как соленый раствор, определенные химикаты, отбеливающие средства или содержащие их продукты, могут привести к короткому замыканию.

Для зарядки аккумуляторов модели M18 используйте только зарядным устройством M18. Не заряжайте аккумуляторы других систем.

Никогда не вскрывайте аккумуляторы или зарядные устройства и храните их только в сухих помещениях. Следите, чтобы они всегда были сухими.

ИСПОЛЬЗОВАНИЕ

Электрогидравлический пресс на аккумуляторах предназначен исключительно для резки стали и высококачественной стали с помощью специально предусмотренных штампа и матриц.

АККУМУЛЯТОР

Перед использованием аккумулятора, которым не пользовались некоторое время, его необходимо зарядить. Температура свыше 50°C снижает работоспособность аккумулятора. Избегайте продолжительного нагрева или прямого солнечного света (риск перегрева).

Контакты зарядного устройства и аккумулятора должны содержаться в чистоте.

Для обеспечения оптимального срока службы аккумулятор необходимо полностью заряжать после использования прибора.

Для достижения максимально возможного срока службы аккумуляторы после зарядки следует вынимать из зарядного устройства.

При хранении аккумулятора более 30 дней: Храните аккумулятор при 27°C в сухом месте. Храните аккумулятор с зарядом примерно 30% - 50%. Каждые 6 месяцев аккумулятор следует заряжать.

Не выбрасывайте использованные аккумуляторы вместе с домашним мусором и не сжигайте их. Дистрибьюторы компании Milwaukee предлагают восстановление старых аккумуляторов, чтобы защитить окружающую среду.

Не храните аккумуляторы вместе с металлическими предметами во избежание короткого замыкания.

Аккумуляторная батарея может быть повреждена и дать течь под воздействием чрезмерных температур или повышенной нагрузки. В случае контакта с аккумуляторной кислотой немедленно промойте место контакта мылом и водой. В случае попадания кислоты в глаза промойте глаза в течении 10 минут и немедленно обратитесь за медицинской помощью.

Не допускается попадания каких-либо металлических предметов в аккумуляторный отсек зарядного устройства во избежание короткого замыкания.

ТРАНСПОРТИРОВКА ЛИТИЙ-ИОННЫХ АККУМУЛЯТОРОВ

Литий-ионные аккумуляторы в соответствии с предписаниями закона транспортируются как опасные грузы.

Транспортировка этих аккумуляторов должна осуществляться с соблюдением местных, национальных и международных предписаний и положений.

Эти аккумуляторы могут перевозиться по улице потребителем без дальнейших обязательств.

При коммерческой транспортировке литий-ионных аккумуляторов экспедиторскими компаниями действуют положения, касающиеся транспортировки опасных грузов. Подготовка к отправке и транспортировка должны производиться исключительно специально обученными лицами. Весь процесс должен находиться под контролем специалиста.

При транспортировке аккумуляторов необходимо соблюдать следующие пункты:

Убедитесь, что контакты защищены и изолированы во избежание короткого замыкания. Следите за тем, чтобы аккумуляторный блок не соскользнул внутри упаковки.

Транспортировка поврежденных или протекающих аккумуляторов запрещена. За дополнительными указаниями обратитесь к своему экспедитору.

ОБСЛУЖИВАНИЕ

Всегда держите охлаждающие отверстия чистыми.

Техническое обслуживание должно проводиться как минимум один раз в год или после 5000 операций резания.

Износившиеся режущие инструменты следует заменить.

Работы по техобслуживанию и ремонту могут производиться только в сертифицированных сервисных центрах.

В устройстве содержится гидравлическое масло, представляющее опасность для грунтовых вод. Неконтролируемый слив или ненадлежащая утилизация наказывается штрафом.

Пользуйтесь аксессуарами и запасными частями Milwaukee. В случае возникновения необходимости в замене, которая не была описана, обращайтесь в один из сервисных центров по обслуживанию электроинструментов Milwaukee (см. список сервисных организаций).

При необходимости может быть заказан чертеж инструмента с трехмерным изображением деталей. Пожалуйста, укажите номер и тип инструмента и закажите чертеж у Ваших местных агентов или непосредственно у Techtronic Industries GmbH, Max-Eyth-Straße 10, 71364 Winnenden, Germany.

ДЕКЛАРАЦИЯ О СООТВЕТВИИ СТАНДАРТАМ ЕС

Мы несем исключительную ответственность за то, что изделие, описанное в разделе «Техническая информация» соответствует всем применимым положениям директив

2011/65/EU (RoHS)

2006/42/EC

2014/30/EU

а также следующим согласованным стандартам

EN 62841-1:2015

EN 55014-1:2017+A11:2020

EN 55014-2:2015

EN IEC 63000:2018



Winnenden, 2020-11-26

Alexander Krug / Managing Director
Уполномочен на составление технической документации.
Techtronic Industries GmbH
Max-Eyth-Straße 10, 71364 Winnenden, Germany



СИМВОЛЫ



ВНИМАНИЕ! ПРЕДУПРЕЖДЕНИЕ! ОПАСНОСТЬ!



Пожалуйста, внимательно прочтите инструкцию по использованию перед началом любых операций с инструментом.



При работе с инструментом всегда надевайте защитные очки.



Опасность поражения электрическим током



Держите руки вдали от режущего инструмента и других движущихся частей. Следствием попадания пальцев внутрь режущего механизма может оказаться их отрезание или травмирование.



Выньте аккумулятор из машины перед проведением с ней каких-либо манипуляций.



Принадлежности - В стандартную комплектацию не входит, поставляется в качестве дополнительной принадлежности.



Электрические устройства нельзя утилизировать вместе с бытовым мусором. Электрические и электронные устройства следует собирать отдельно и сдавать в специализированную утилизирующую компанию для утилизации в соответствии с нормами охраны окружающей среды. Сведения о центрах вторичной переработки и пунктах сбора можно получить в местных органах власти или у вашего специализированного дилера.



Европейский знак соответствия



Британский знак соответствия



Украинский знак соответствия



Евразийский знак соответствия



ТЕХНИЧЕСКИ ДАННИ Електро-хидравлична станца с акумулаторна батерия	M18 НКР
Производствен номер	4560 30 03... ... 000001-999999
Напрежение на акумулатора	18 V
сила на пресоване	60 kN
Диаметър макс.	100 mm
Дебелина на материала макс. Стомана Неръждаема стомана	3,0 mm 2,5 mm
Тегло съгласно процедурата EPTA 01/2003 (Li-Ion 2,0 Ah)	2,0 kg
Информация за шума Измерените стойности са получени съобразно EN 62841. Оцененото с А ниво на шума на уреда е съответно:	
Равнище на звуковото налягане (Несигурност K=3dB(A))	65,8 dB (A)
Равнище на мощността на звука (Несигурност K=3dB(A))	76,8 dB (A)
Да се носи предпазно средство за слуха!	
Информация за вибрациите Общите стойности на вибрациите (векторна сума на три посоки) са определени в съответствие с EN 62841.	
Стойност на емисии на вибрациите _n Несигурност K=	1,28 m/s ² 1,5 m/s ²

ВНИМАНИЕ!

Посоченото в тези инструкции ниво на вибрациите е измерено в съответствие със стандартизиран в EN 62841 измервателен метод и може да се използва за сравнение на електрически инструменти помежду им. Подходящ е и за временна оценка на вибрационното натоварване.

Посоченото ниво на вибрациите представя основните приложения на електрическия инструмент. Ако обаче електрическият инструмент се използва с друго предназначение, с различни сменяеми инструменти или при недостатъчна техническа поддръжка, нивото на вибрациите може да е различно. Това чувствително може да увеличи вибрационното натоварване по време на целия работен цикъл. За точната оценка на вибрационното натоварване трябва да се вземат предвид и периодите от време, в които уредът е изключен или работи, но в действителност не се използва. Това чувствително може да намали вибрационното натоварване по време на целия работен цикъл.

Определете допълнителни мерки по техника на безопасност в защита на обслужващия работник от въздействието на вибрациите като например: техническа поддръжка на електрическия инструмент и сменяемите инструменти, поддръжане на ръцете топли, организация на работния цикъл.



ВНИМАНИЕ Прочетете всички указания за безопасност, инструкции, изображенията и техническите данни, които получавате с уреда.

Пропуски при спазването на указанията и на инструкциите за безопасност могат да доведат до токов удар, пожар и/или тежки наранявания.

Запазете всички указания и инструкции за безопасност за бъдещето.



УКАЗАНИЯ ЗА БЕЗОПАСНОСТ ПРИ РАБОТА С ЩАНЦИ

Да се използват предпазни средства. При работа с машината винаги носете предпазни очила. Препоръчват се защитно облекло и прехозащитна маска, защитни ръкавици, здрави и нехлъзгащи се обувки, каска и предпазни средства за слуха.

Дръжте ръцете си и широки дрехи далеч от режещи инструменти и други движещи се части.

Преди всяка употреба проверявайте режещите инструменти за пукнатини и други признаци на износване. Използвайте инструментите и уредите за рязане само в технически изправно състояние.

Уредът може да се използва само с монтиран режещ инструмент.

Проверявайте дали номиналният вътрешен диаметър на матрицата съвпада с този на поансона.

Използвайте инструмента само с поансони и матрици, разрешени за макс. номинална сила. Други принадлежности могат да предизвикат нараняване или повреди.

Поддържайте режещите инструменти остри и чисти. Правилно поддържаните инструменти с остри режещи ръбове се заклиняват по-рядко и се контролират по-лесно.

Не използвайте инструментите в или близо до разпределителни кутии под напрежение. Работете само по разпределителни кутии, изключени от захранването.

Уредът се изключва автоматично след достигане на крайно положение. След приключване на работната операция отпуснете превключвателя и натиснете деблокиращия превключвател.

При неизправности по време на пресоване незабавно отпуснете превключвателя ВКЛ. и натиснете бутона за освобождаване на хидравликата. Клапанът се отваря и буталото се връща в изходна позиция.

Отстранете повредите незабавно в оторизиран специализиран сервис.

Спазвайте стриктно времето за и интервалите на поддръжка.

Преди започване на каквито и да е работи по машината извадете акумулатора.

ВНИМАНИЕ! За да избегнете опасността от пожар, предизвикана от късо съединение, както и нараняванията и повредите на продукта, не потапяйте инструмента, сменяемата акумулаторна батерия или зарядното устройство в течности и се погрижете в уредите и акумулаторните батерии да не попадат течности. Течностите, предизвикващи корозия или провеждащи електричество, като солена вода, определени химикали, избелващи вещества или продукти, съдържащи избелващи вещества, могат да предизвикат късо съединение.

Акумулатори от системата M18 да се зареждат само със зарядни устройства от системата M18 laden. Да не се зареждат акумулатори от други системи.



Не отваряйте акумулатори и зарядни устройства и ги съхранявайте само в сухи помещения. Пазете ги от влага.

ИЗПОЛЗВАНЕ ПО ПРЕДНАЗНАЧЕНИЕ

Електро-хидравличната щанца с акумулаторна батерия следва да се използва само за рязане в стомана и неръждаема стомана с предвидените за тази цел поансоми и матрици.

АКУМУЛАТОРИ

Акумулатори, които не са ползвани по-дълго време, преди употреба да се дозаредят. Температура над 50°C намалява мощността на акумулатора. Да се избягва по-продължително нагряване на слънце или от отопление.

Поддържайте чисти присъединителните контакти на зарядното устройство и на акумулатора.

За оптимална продължителност на живот след употреба батериите трябва да се заредят напълно.

За възможно по-дълга продължителност на живот батериите трябва да се изваждат от уреда след зареждане.

При съхранение на батериите за повече от 30 дни:

съхранявайте батерията при прибл. 27°C и на сухо място.

Съхранявайте батерията при 30 до 50 % от заряда. Зареждайте батерията на всеки 6 месеца.

Не извърляйте изхабените акумулатори в огъня или в при битовите отпадъци. Milwaukee предлага екологосъобразно събиране на старите акумулатори; моля попитайте Вашия специализиран търговец.

Не съхранявайте акумулаторите заедно с метални предмети (опасност от късо съединение).

При екстремно натоварване или екстремна температура от повредени акумулатори може да изтече батерийна течност.

При допир с такава течност веднага измийте с вода и сапун. При контакт с очите веднага изплаквайте старателно най-малко 10 минути и незабавно потърсете лекар.

В гнездото за акумулатори на зарядните устройства не бива да попадат метални части (опасност от късо съединение).

ПРЕВОЗ НА ЛИТИЕВО-ЙОННИ БАТЕРИИ

Литиево-йонните батерии са предмет на законовите разпоредби за превоз на опасни товари.

Превозът на тези батерии трябва да се извършва в съответствие с местните, националните и международните разпоредби и регламенти.

Потребителите могат да превозват тези батерии по пътя без допълнителни изисквания.

Превозът на литиево-йонни батерии от транспортни компании е предмет на законовите разпоредбите за превоз на опасни товари. Подготовката на превоза и самият превоз трябва да се извършват само от обучени лица. Целият процес трябва да е под професионален надзор.

Спазвайте следните изисквания при превоз на батерии:

Уверете се, че контактите са защитени и изолирани, за да се избегне късо съединение. Уверете се, че няма опасност от разместване на батерията в опаковката. Не превозвайте повредени батерии или такива с течове. Обърнете се към Вашата транспортна компания за допълнителни инструкции.

ПОДДРЪЖКА

Вентилационните шлицы на машината да се поддържат винаги чисти.

Поддръжката следва да се извършва минимум веднъж годишно или след 5.000 операции на рязане.

Подменйте износените режещи инструменти.

Свързаните с ремонт и поддръжка работи следва да се извършват само от оторизирани специализирани сервиси.

Уредът съдържа хидравлично масло, което представлява опасно за подпочвените води. Неконтролираното му изпускане или неправомерно извървяне като отпадък се наказва от закона.

Да се използват само аксесоари на Milwaukee и резервни части на Milwaukee. Елементи, чиято подмяна не е описана, да се дадат за подмяна в сервис на Milwaukee (вижте брошурата „Гаранция и адреси на сервиси“).

При необходимост можете да поискате за уреда от Вашия сервис или директно от Techtronid Industries GmbH, Max-Eyth-Straße 10, 71364 Winnenden, Germany, чертеж за в случай на експлозия, като посочите типа на машината и номер върху заводската табелка.

СЕ - ДЕКЛАРАЦИЯ ЗА СЪОТВЕТСТВИЕ

Ние декларираме, изцяло на наша отговорност, че продуктът, описан в „Технически данни“, съответства на всички необходими изисквания на директивите

2011/65/EC (RoHS)

2006/42/EO

2014/30/EC

и че са използвани следните хармонизирани стандарти

EN 62841-1:2015

EN 55014-1:2017+A11:2020

EN 55014-2:2015

EN IEC 63000:2018



Winnenden, 2020-11-26

Alexander Krug / Managing Director

Упълномощен за съставяне на техническата документация

Techtronid Industries GmbH

Max-Eyth-Straße 10, 71364 Winnenden, Germany

СИМВОЛИ



ВНИМАНИЕ! ПРЕДУПРЕЖДЕНИЕ! ОПАСНОСТ



Преди пускане на уреда в действие моля прочетете внимателно инструкцията за използване.



При работа с машината винаги носете предпазни очила.



Опасност от токов удар



Дръжте ръцете си далече от режещия инструмент и други движещи се части. Пръстите Ви могат да попаднат в режещия механизъм и да бъдат откъснати или наранени.



Преди започване на каквито е да работи по машината извадете акумулатора.



Акcesoари - Не се съдържат в обема на доставката, препоръчано допълнение от програмата за акcesoари.



Електрическите уреди не трябва да се изхвърлят заедно с битовите отпадъци. Електрическото и електронното оборудване трябва да се събират отделно и да се предават на службите за рециклиране на отпадъците според изискванията за опазване на околната среда. Информирайте се при местните служби или при местните специализирани търговци относно местата за събиране и центровете за рециклиране на отпадъци.



Европейски знак за съответствие



Британски знак за съответствие



Украински знак за съответствие



Евро-азиатски знак за съответствие



DATE TEHNICE Mașină de ștanțat electrică hidraulică cu acumulatori	M18 HKP
Număr producție	4560 30 03... ... 000001-999999
Tensiune acumulator	18 V
forța de presare	60 kN
Diametru max.	100 mm
Grosime material max. Oțel Oțel	3,0 mm 2,5 mm
Greutatea conform „EPTA procedure 01/2003” (Li-Ion 2,0 Ah)	2,0 kg
Informație privind zgomotul	
Valori măsurate determinate conform EN 62841. Nivelul de zgomot evaluat cu A al aparatului este tipic de:	
Nivelul presiunii sonore (Nesiguranță K=3dB(A))	65,8 dB (A)
Nivelul sunetului (Nesiguranță K=3dB(A))	76,8 dB (A)
Purtați căști de protecție	
Informații privind vibrațiile	
Valorile totale de oscilație (suma vectorială pe trei direcții determinate conform normei EN 62841.	
Valoarea emisiei de oscilația _h Nesiguranță K=	1,28 m/s ² 1,5 m/s ²



AVERTISMENT!

Gradul de oscilație indicat în prezentele instrucțiuni a fost măsurat în conformitate cu o procedură de măsurare normată prin norma EN 62841 și poate fi folosit pentru a compara unelte electrice între ele. El se pretează și pentru o evaluare provizorie a solicitării la oscilații. Gradul de oscilație indicat reprezintă aplicațiile principale ale uneltelor electrice. În cazul în care însă uneltele electrice au fost folosite pentru alte aplicații, ori au fost folosite unelte de muncă diferite ori acestea nu au fost supuse unei suficiente inspecții de întreținere, gradul de oscilație poate fi diferit. Acest fapt poate duce la o creștere netă a solicitărilor la oscilații dealungul întregii perioade de lucru. În scopul unei evaluări exacte a solicitării la oscilații, urmează să fie luate în considerație și perioadele de timp în care aparatul a fost oprit ori funcționează dar, în realitate, el nu este folosit în mod practic. Acest fapt poate duce la o reducere netă a solicitărilor la oscilații dealungul întregii perioade de lucru. Stabiliți măsuri de siguranță suplimentare în scopul protecției utilizatorului de efectele oscilațiilor, de exemplu: inspecție de întreținere a uneltelor electrice și a celor de muncă, păstrarea caldă a mâinilor, organizarea proceselor de muncă.

⚠ AVERTISMENT Citiți toate instrucțiunile de securitate, recomandările, reprezentările grafice și datele pe care le primiți livrate împreună cu aparatul. Nerespectarea indicațiilor de avertizare și a instrucțiunilor poate provoca electrocutare, incendii și/sau răniiri grave. Păstrați toate indicațiile de avertizare și instrucțiunile în vederea utilizărilor viitoare.

⚠ INSTRUCȚIUNI DE SECURITATE PENTRU MAȘINILE DE ȘTANȚAT

Folosiți echipament de protecție. Purtați întotdeauna ochelari de protecție când utilizați mașina. Se recomandă utilizarea hainelor

de protecție ca de ex. Măști contra prafului, mănuși de protecție, încălțăminte stabilă nealunecoasă, cască și apăraătoare de urechi. Țineți mâinile și îmbrăcămintea largă departe de piesele de tăiat sau de alte componente mobile.

Înainte de fiecare utilizare verificați piesele de tăiat să nu prezinte fisuri sau alte urme de uzură. Utilizați piesele și aparatele de tăiat doar în stare tehnică impecabilă.

Aparatul poate fi utilizat doar cu piesele de tăiat montate.

Verificați dacă dimensiunea nominală a matriței este conformă cu cea a dispozitivului de ștanțat.

Utilizați uneltele doar cu dispozitive de ștanțat și matrițe adecvate pentru puterea nominală max. Altele ar putea provoca vătămări sau deteriorări.

Păstrați uneltele de tăiere mereu curate și ascuțite. Uneltele de tăiere cu lame ascuțite îngrijite corect nu se blochează atât de des și sunt mai ușor de controlat.

A nu se utiliza în sau în apropierea cutiilor de distribuție aflate sub tensiune. Efectuați lucrări doar la cutii de distribuție decuplate de la sursa de tensiune electrică.

Aparatul nu se oprește în mod automat după ce ajunge în poziția finală. În momentul în care se încheie procesul de lucru, eliberați butonul și apăsați butonul de deblocare.

În cazul defecțiunilor apărute în timpul procesului de presare eliberați imediat butonul ON (PORNIT) și apăsați butonul de deblocare a hidraulicii. Ventilul se deschide iar pistonul revine în poziția inițială.

Deteriorările trebuie reparate imediat de către un atelier autorizat.

Operațiile și intervalele de întreținere trebuie respectate în mod obligatoriu.

Îndepărtați acumulatorul înainte de începerea lucrului pe mașina AVERTISMENT! Pentru a reduce pericolul unui incendiu și evitarea răniilor sau deteriorarea produsului în urma unui scurtcircuit nu imersați scula, acumulatorul de schimb sau încărcătorul în lichide și asigurați-vă să nu pătrundă lichide în aparate și acumulatori. Lichidele corosive sau cu conductibilitate, precum apa sărată, anumite substanțe chimice și înalbitori sau produse ce conțin înalbitori, pot provoca un scurtcircuit.

Folosiți numai încărcătoare System M18 pentru încărcarea acumulatorilor System M18. Nu folosiți acumulatori din alte sisteme.

Nu deschideți niciodată acumulatorii și încărcătoarele și păstrați-le numai în încăperi uscate. Păstrați-le întotdeauna uscate.

CONDIȚII DE UTILIZARE SPECIFICE

Mașina de ștanțat electrică hidraulică cu acumulatori poate fi folosită în exclusivitate la oțel și oțel inoxidabil, cu ajutorul dispozitivelor de ștanțat și a matrițelor aferente.

ACUMULATORI

Acumulatorii care nu au fost utilizați o perioadă de timp trebuie reincărcați înainte de utilizare. Temperatura mai mare de 50°C (122°F) reduce performanța acumulatorului. Evitați expunerea prelungită la căldură sau radiație solară (risc de supraîncălzire). Contactele încărcătoarelor și acumulatorilor trebuie păstrate curate.

În scopul optimizării duratei de funcționare, bateriile trebuie reincărcate complet după utilizare.

Pentru o durată de viață cât mai lungă, acumulatorii ar trebui scoși din încărcător după încărcare.

La depozitarea acumulatorilor mai mult de 30 zile: Acumulatorii se depozitează la cca. 27°C și la loc uscat. Acumulatorii se depozitează

la nivelul de încărcare de cca. 30%-50%. Acumulatorii se încarcă din nou la fiecare 6 luni.

Nu aruncați acumulatorii uzați la containerul de reziduri menajere și nu îi ardeți. Milwaukee Distributors se oferă să recupereze acumulatorii vechi pentru protecția mediului înconjurător.

Nu depozitați acumulatorul împreună cu obiecte metalice (risc de scurtcircuit)

Acidul se poate scurge din acumulatorii deteriorați la încălziri sau temperaturi extreme. În caz de contact cu acidul din acumulator, spălați imediat cu apă și săpun. În caz de contact cu ochii, clătiți cu atenție timp de cel puțin 10 minute și apelați imediat la îngrijire medicală.

Nu se permite introducerea nici unei piese metalice în locașul pentru acumulator al incarcatorului. (risc de scurtcircuit)

TRANSPORTUL ACUMULATORILOR CU IONI DE LITIU

Acumulatorii cu ioni de litiu cad sub incidența prescripțiilor legale pentru transportul de mărfuri periculoase.

Transportul acestor acumulatori trebuie să se efectueze cu respectarea prescripțiilor și reglementărilor pe plan local, național și internațional.

Consumatorilor le este permis transportul rutier nerestricționat al acestui tip de acumulatori.

Transportul comercial al acumulatorilor cu ioni de litiu prin intermediul firmelor de expediție și transport este supus reglementărilor transportului de mărfuri periculoase. Pregătirile pentru expediție și transportul au voie să fie efectuate numai de către personal instruit corespunzător. Întregul proces trebuie asistat în mod competent.

Următoarele puncte trebuie avute în vedere la transportul acumulatorilor:

Pentru a se evita scurtcircuite, asigurați-vă de faptul că sunt protejate și izolate contactele. Aveți grijă ca pachetul de acumulatori să nu poată aluneca în altă poziție în interiorul ambalajului său. Este interzis transportarea unor acumulatori deteriorați sau care pierd lichid. Pentru indicații suplimentare adresați-vă firmei de expediție și transport cu care colaborați.

INTREȚINERE

Fantele de aerisire ale mașinii trebuie să fie menținute libere tot timpul

Lucrările de întreținere trebuie efectuate cel puțin o dată anual sau la fiecare 5.000 de procese de tăiere.

Înlocuiți piesele de tăiere uzate.

Efectuarea lucrărilor de întreținere și de reparație este permisă numai atelierelor de specialitate autorizate.

Aparatul conține ulei hidraulic care reprezintă un pericol pentru apa freatică. Golirea necontrolată sau eliminarea necorespunzătoare a acestuia este pasibilă de pedeapsă.

Utilizați numai accesorii și piese de schimb Milwaukee. Dacă unele din componente care nu au fost descrise trebuie înlocuite, vă rugăm contactați unul din agenții de service Milwaukee (vezi lista noastră pentru service / garanți

Dacă este necesară, se poate comanda o imagine descompusă a sculei. Vă rugăm menționați numărul art. Precum și tipul mașinii tipărit pe etichetă și comandați desenul la agenții de service locali sau direct la Techtronic Industries GmbH, Max-Eyth-Straße 10, 71364 Winnenden, Germany.

DECLARAȚIE DE CONFORMITATE

Declarăm pe propria răspundere că produsul descris în capitolul „Date tehnice” îndeplinește toate cerințele relevante ale directivelor

2011/65/UE (RoHS)

2006/42/CE

2014/30/UE

și au fost utilizate următoarele standarde armonizate

EN 62841-1:2015

EN 55014-1:2017+A11:2020

EN 55014-2:2015

EN IEC 63000:2018



Winnenden, 2020-11-26

Alexander Krug / Managing Director

Împuternicit să elaboreze documentația tehnică.

Techtronic Industries GmbH

Max-Eyth-Straße 10, 71364 Winnenden, Germany

SIMBOLURI



PERICOL! AVERTIZARE! ATENȚIE!



Vă rugăm citiți cu atenție instrucțiunile înainte de pornirea mașinii



Purtați întotdeauna ochelari de protecție când utilizați mașina.



Pericol de șoc electric



Țineți mâinile departe de piesele de tăiat sau de alte componente mobile. Degetele pot ajunge în mecanismul de tăiere și pot fi tăiate sau vătămate.



Îndepărtați acumulatorul înainte de începerea lucrului pe mașina



Accesorii - Nu este inclus în echipamentul standard, disponibil ca accesorii



Aruncarea aparatelor electrice la gunoii menajer este interzisă. Echipamentele electrice și electronice trebuie colectate separat și predate la un centru de reciclare și eliminare a deșeurilor, pentru a fi eliminate ecologic. Interesați-vă la autoritățile locale sau la comerciantul dvs. de specialitate unde se află centre de reciclare și puncte de colectare.



Marcă de conformitate europeană



Marcă de conformitate britanică



Marcă de conformitate ucraineană



Marcă de conformitate eurasiatică



ТЕХНИЧКИ ПОДАТОЦИ Електро-хидраулична преса на батериски погон	M18 НКР
Производен број	4560 30 03... ... 000001-999999
Волтажа на батеријата	18 V
притисок сила	60 kN
Пречник макс.	100 mm
Јакост на материјалот макс. Челик Челик	3,0 mm 2,5 mm
Тежина според ЕПТА-процедурата 01/2003 (Li-Ion 2,0 Ah)	2,0 kg
Информации за бучавата	
Измерените вредности се одредени согласно стандардот EN 62841. А-оценетото ниво на бучава на апаратот типично изнесува:	
Ниво на звучен притисок. (Несигурност K=3dB(A))	65,8 dB (A)
Ниво на јачина на звук. (Несигурност K=3dB(A))	76,8 dB (A)
Носте штитник за уши.	
Информации за вибрации	
Вкупни вибрациски вредности (векторски збир на трите насоки) пресметани согласно EN 62841.	
Вибрациска емисиона вредноста _n	1,28 m/s ²
Несигурност K	1,5 m/s ²



Mak

▲ БЕЗБЕДНОСНИ УПАТСТВА ЗА ПРЕСУВАЊЕ

Употребувајте заштитна опрема. Секогаш при користење на машината носете ракавици. Се препорачува заштитна облека како: маска за заштита од прашина, заштитни ракавици, цврсти чевли што не се лигзаат, кацига и заштита за уши.

Рацете и лабавата облека држете ги понастрана од алатот за сечење и другите подвижни делови.

Пред секоја употреба, проверете го алатот за сечење да не има пукнатини и други знаци на абење. Алатот за сечење и апаратите за сечење користете ги само во технички беспрекорна состојба.

Уредот смее да се користи само со наместен алат за режење.

Проверете дали номиналната ширина на матрицата одговара на номиналната ширина на отпечатокот.

Алатот користете го само со калапи и матрици кои се дозволени за макс. номинална сила. Другите може да предизвикаат повреди или оштетувања.

Алатот за сечење држете го остар и чист. Правилно негуваниот алат за сечење со остри рабови на сечилото помалку се заглавува и полесно се контролира.

Не користете го во или во близина на разводни табли кои се под напон. Работете само на разводни табли кои не се под напон.

После постигнување на крајната позиција, уредот не се исклучува автоматски. Штом работниот процес ќе заврши, исклучете ја склопката и активирајте ја склопката за деблокада.

Во случај на дефекти за време пресувањето веднаш исклучете ја склопката за вклучување и притиснете го копчето за откочување на хидрауликата. Вентилот се отвора и клипот се враќа во појдовната позиција.

Во случај на оштетување иста исте веднаш да бидат дадени на авторизирана стручна работилница на поправка.

Обавезно е потребно придржување кон одржувањето и интервали-те на одржување.

Извадете го батерискиот склоп пред отпочнување на каков и да е зафат врз машината.

ПРЕДУПРЕДУВАЊЕ! За да избегнете опасноста од пожар, од наранувања или од оштетување на производот, коишто ги создава краток спој, не ја потопувајте во течност алатката, заменливата батерија или полначот и пазете во уредите и во батериите да не проникнуваат течности. Корозивни или електроспроводливи течности, како солена вода, одредени хемикалии, избелувачки препарати или производи кои содржат избелувачки супстанции, можат да предизвикаат краток спој.

Користете исклучиво Систем M18 за полнење на батери од M18 систем. Не користете батерии од друг систем.

Не ги отворајте насилно батериите и полначите, и чувајте ги само на суво место. Чувајте ги постојано сухе.

СПЕЦИФИЦИРАНИ УСЛОВИ НА УПОТРЕБА

Електро-хидрауличната преса на батериски погон смее да се користи исклучиво за сечење на челик и челик што не е рѓосано, со за тоа предвидените калапи и матрици.

ПРЕДУПРЕДУВАЊЕ!

Нивото на осцилација наведено во овие инструкции е измерено во согласност со мерните постапки нормирани во EN 62841 и може да биде употребено за меѓусебна споредба на електро-алати. Ова ниво може да се употреби и за привремена проценка на оптоварувањето на осцилацијата.

Наведеното ниво на осцилација ги репрезентира главните намени на електро-алатот. Но, доколку електро-алатот се употребува за други намени, со отстапувачки податоци или со несоодветно одржување, нивото на осцилација може да отстапи. Тоа може значително да го зголеми оптоварувањето на осцилацијата за време на целиот работен период.

За прецизна проценка на оптоварувањето на осцилацијата предвид треба да бидат земени и времињата, во коишто апаратот е исклучен или работи, но фактички не се употребува.

Тоа може значително да го намали оптоварувањето на осцилацијата за време на целиот работен период. Утврдете дополнителни безбедносни мерки за заштита на операторот од влијанието на осцилациите, како на пример: одржување на електро-алатот и на податоци кон електро-алатот, одржување топли раце, организација на работните процеси.

▲ ПРЕДУПРЕДУВАЊЕ Прочитајте ги сите безбедносни напомени, упатства, цртежи и податоци, коишто ги добивате заедно со уредот. Заборавање на почитувањето на безбедносните упатства и инструкции можат да предизвикаат електричен удар, пожар и/или тешки повреди. **Сочувајте ги сите безбедносни упатства и инструкции за во иднина.**

БАТЕРИИ

Батериите кои не биле користени подолго време треба да се наполнат пред употреба. Температура повисока од 50oC (122oF) го намалуваат траењето на батериите. Избегнувајте подолго изложување на батериите на високи температури или сонце (ризик од прегревање).

Клемите на полначот и батериите мора да бидат чисти.

За оптимален работен век батериите мора да се наполнат целосно по употреба.

За можно подолг век на траење, апаратите после нивното полнење треба да бидат извадени од апаратот за полнење на батериите.

Во случај на складирање на батеријата подолго од 30 дена: Акумулаторот да се чува на температура од приближно 27°C и на суво место. Акумулаторот да се складира на приближно 30%-50% од состојбата на наполнетост. Акумулаторот повторно да се наполни на секои 6 месеци.

Не ги оставајте искористените батерији во домашниот отпад и не горете ги. Дистрибутерите на Милвоки ги собираат старите батерији, со што ја штитат нашата околина.

Не ги чувајте батериите заедно со метални предмети (ризик од краток спој).

Киселината од оштетените батериите може да истече при екстрем напон или температури. Доколку дојдете во контакт со исатата, измијте се веднаш со сапун и вода. Во случај на контакт со очите плакнете ги убаво најмалку 10 минути и задолжително одете на лекар.

Метални парчиња не смеат да навлезат во делот за полнење на батерија (ризик од краток спој).

ТРАНСПОРТ НА ЛИТИУМ-ЈОНСКИ БАТЕРИИ

Литиум-јонските батерији подлежат на законските одредби за транспорт на опасни материи.

Транспортот на овие батерији мора да се врши согласно локалните, националните и меѓународните прописи и одредби.

Потрошувачите на овие батерији може да вршат непречен патен транспорт на истите.

Комерцијалниот транспорт на литиум-јонски батерији од страна на шпедитерски претпријатија подлежат на одредбите за транспорт на опасни материи. Подготовките за шпедиција и транспорт треба да ги вршат исклучиво соодветно обучени лица. Целокупниот процес треба да биде стручно надгледуван.

При транспортот на батерији треба да се внимава на следното: Осигурајте се дека контактите се заштитени и изолирани, а сето тоа со цел да се избегнат кратки споеви. Внимавајте да не дојде до изместување на батериите во нивната амбалажа. Забранет е транспорт на оштетени или протечени литиум-јонски батерији. За понатамошни инструкции обратете се до Вашето шпедитерско претпријатие.

ОДРЖУВАЊЕ

Вентилациските отвори на машината мора да бидат комплетно отворени постојано.

Одржувањето мора да се прави најмалку еднаш годишно или после 5.000 сечења.

Заменете го искористениот алат за сечење.

Работите на одржување и поправка смеат да бидат изведувани исклучиво од страна на авторизи-рани стручни работил-ници.

Апаратот содржи хидрау-лично масло кое што претста-вува опасност за подземните води. Неконтро-лирано испуштање или нестручно флање е казниво.

Користете само Milwaukee додатоци и резервни делови. Доколку некои од компонентите кои не се опишани треба да бидат заменети, Ве молиме контактирајте ги сервисните агенти на Milwaukee (консултирајте ја листата на адреси).

Доколку е потребно можно е да биде набавен детален приказ на алатот. Ве молиме наведете го бројот на артиклот како и типот на машина кој е отпечатан на етикетата и порачајте ја скицата кај локалниот застапник или директно кај: Techtronic Industries GmbH, Max-Eyth-Straße 10, 71364 Winnenden, Germany.

ЕУ-ДЕКЛАРАЦИЈА ЗА СООБРАЗНОСТ

Под целосна лична одговорност изјавуваме дека производот опишан во „Технички податоци“ е во сообразност со сите релевантни прописи од директивите

2011/65/EU (RoHS)

2006/42/EC

2014/30/EU

и дека се применети следните хармонизирани стандарди

EN 62841-1:2015

EN 55014-1:2017+A11:2020

EN 55014-2:2015

EN IEC 63000:2018



Winnenden, 2020-11-26

Alexander Krug / Managing Director

Ополномоштен за составување на техничката документација.

Techtronic Industries GmbH

Max-Eyth-Straße 10, 71364 Winnenden, Germany



СИМБОЛИ



ВНИМАНИЕ! ПРЕДУПРЕДУВАЊЕ! ОПАСНОСТ!



Ве молиме пред да ја стартувате машината обрнете внимание на упатствата за употреба.



Секогаш при користење на машината носете ракавици.



Опасност од струен удар



Рацете држете ги настрана од алатот за сечење и од другите подвижни делови. Прстите може да се најдат во механизмот за сечење и да бидат отсечени или повредени.



Извадете го батерискиот склоп пред отпочнување на каков и да е зафат врз машината.



Дополнителна опрема - Не е вклучена во стандардната, а достапна е како додаток.



Електричните апарати не смеат да се фрлат заедно со домашниот отпад. Електричните и електронските апарати треба да се собираат одделно и да се однесат во соодветниот погон заради нивно фрлање во склад со начелата за заштита на околината. Информирајте се кај Вашите местни служби или кај специјализираниот трговски претставник, каде има такви погони за рециклажа и собирни станици.



Европска ознака за сообразност



Британска ознака за сообразност



Украинска ознака за сообразност



Евроазиска ознака за сообразност



ТЕХНІЧНІ ХАРАКТЕРИСТИКИ Електрогідравлічний вирубний станок з акумуляторним живленням	M18 НКР
Номер виробу	4560 30 03... ... 000001-999999
Напруга знімної акумуляторної батареї	18 V
Номінальна сила	60 kN
Діаметр макс.	100 mm
Товщина матеріалу макс. Сталь Нержавіюча сталь	3,0 mm 2,5 mm
Вага згідно з процедурою EPTA 01/2003 (Li-Ion 2,0 Ah)	2,0 kg
Інформація про шум Вимірні значення визначені згідно з EN 62841. Рівень шуму „А” приладу становить в типовому випадку:	
Рівень звукового тиску (похибка K = 3 дБ(A))	65,8 dB (A)
Рівень звукової потужності (похибка K = 3 дБ(A))	76,8 dB (A)
Використовувати засоби захисту органів слуху!	
Інформація щодо вібрації Сумарні значення вібрації (векторна сума трьох напрямків), встановлені згідно з EN 62841.	
Значення вібрації _a похибка K =	1,28 m/s ² 1,5 m/s ²

ПОПЕРЕДЖЕННЯ!

Рівень вібрації, вказаний в цій інструкції, вимірювався згідно з методом вимірювання, нормованим стандартом EN 62841, і може використовуватися для порівняння електроінструментів. Він призначений також для попередньої оцінки навантаження від вібрації.

Вказаний рівень вібрації відповідає основним сферам використання електроінструменту. Але якщо електроінструмент використовується для іншої мети, з іншими вставними інструментами або при недостатньому технічному обслуговуванні, рівень вібрації може бути іншим. Це може значно підвищити навантаження від вібрації за весь період роботи.

Для точної оцінки навантаження від вібрації необхідно також враховувати час, коли прилад вимкнений або увімкнений, але фактично не використовується. Це може значно зменшити навантаження від вібрації за весь період роботи.

Визначте додаткові заходи безпеки для захисту оператора від дії вібрації, наприклад: Технічне обслуговування електроінструменту та вставних інструментів, зігрівання рук, організації робочих процесів.

⚠ ПОПЕРЕДЖЕННЯ Ознайомтеся з усіма вказівками щодо техніки безпеки, інструкціями, ілюстраціями та відомостями, що було надано разом із приладом.

Упущення при дотриманні вказівок з техніки безпеки та інструкцій можуть призвести до ураження електричним струмом, пожежі та/або тяжких травм.

Зберігайте всі вказівки з техніки безпеки та інструкції на майбутнє.

⚠ ПРАВИЛА ТЕХНІКИ БЕЗПЕКИ ПРИ РОБОТІ З ВИРУБНИМ СТАНКОМ

Використовуйте індивідуальні засоби захисту. Під час роботи з машиною завжди носити захисні окуляри. Радимо використовувати захисний одяг, як наприклад маску для захисту від пилу, захисні рукавиці, міцне та нековзне взуття, каску та засоби захисту органів слуху.

Тримайте руки та вільний одяг на безпечній відстані від різальних інструментів і інших рухомих частин.

Перед кожним використанням перевіряйте різальні інструменти на наявність тріщин або інших проявів зношення. Використовуйте різальні інструменти та прилади лише в технічно бездоганному стані.

Прилад можна використовувати лише зі встановленим різальним інструментом.

Перевіряйте відповідність номінальної ширини матриці номінальній ширині штампа.

Використовуйте прилад лише зі штампами та матрицями, які допущено до використання зі вказаним максимальним номінальним зусиллям. В іншому разі можливі травми людини або пошкодження майна.

Різальні інструменти повинні бути гострими та чистими. У разі належного догляду різальні інструменти з гострими ріжучими кромками менше заїдають і легші в керуванні.

Не використовуйте прилад у розподільних коробках під напругою або в безпосередній близькості від них. Виконуйте роботи в розподільних коробках лише з вимкненою напругою.

Після досягнення кінцевого положення прилад не вимикається автоматично. Після завершення робочого процесу відпустіть вимикач і натисніть вимикач блокування.

У разі несправностей під час затискання негайно відпустіть вимикач EIN (УВІМК.) і натисніть кнопку розблокування гідравлічного механізму. Клапан відкривається, поршень просувається назад в вихідне положення.

Пошкодження негайно усунути в авторизованій спеціальній майстерні.

Обов'язково виконувати технічне обслуговування відповідно до вказаних інтервалів.

Перед будь-якими роботами на приладі виняти змінну акумуляторну батарею.

ПОПЕРЕДЖЕННЯ! Для запобігання небезпеці пожежі в результаті короткого замикання, травм і пошкодження виробів не занурюйте інструмент, змінний акумулятор або зарядний пристрій у рідину і не допускайте потрапляння рідини всередину пристроїв або акумуляторів. Корозійні і струмопровідні рідини, такі як солоний розчин, певні хімікати, вибухові засоби або продукти, що їх містять, можуть призвести до короткого замикання.

Знімні акумуляторні батареї системи M18 заряджати лише зарядними пристроями системи M18. Не заряджати акумуляторні батареї інших систем.

Не відкривати знімні акумуляторні батареї зарядні пристрої та зберігати їх лише в сухих приміщеннях. Берегти від вологи.

ВИКОРИСТАННЯ ЗА ПРИЗНАЧЕННЯМ

Електрогідравлічний вирубний станок з акумуляторним живленням можна використовувати лише для вирізання на поверхнях з вуглецевої чи нержавіючої сталі та лише за допомогою призначених для цього штамків і матриць.



АКУМУЛЯТОРНІ БАТАРЕЇ

Знімну акумуляторну батарею, що не використовувалася тривалий час, перед використанням необхідно підзарядити. Температура понад 50 °C зменшує потужність знімної акумуляторної батареї. Уникати тривалого нагрівання сонячними променями або системою обігріву.

З'єднувальні контакти зарядного пристрою та знімної акумуляторної батареї повинні бути чистими.

Для забезпечення оптимального строку експлуатації акумуляторної батареї після використання необхідно повністю зарядити.

Для забезпечення максимального можливого терміну експлуатації акумуляторної батареї після зарядки необхідно виймати з зарядного пристрою.

При зберіганні акумуляторної батареї понад 30 днів: Зберігати акумуляторну батарею при температурі приблизно 27 °C в сухому місці. Зберігати акумуляторну батарею в стані зарядки приблизно 30-50 %. Кожні 6 місяців знову заряджати акумуляторну батарею.

Відпрацьовані знімні акумуляторні батареї не можна кидати у вогонь або викидати з побутовими відходами. Milwaukee пропонує утилізацію старих знімних акумуляторних батарей, безпечно для довкілля; зверніться до свого дилера.

Не зберігати знімні акумуляторні батареї разом з металевими предметами (небезпека короткого замикання).

При екстремальному навантаженні або при екстремальній температурі з пошкодженої знімної акумуляторної батареї може витікати електроліт. При потрапленні електроліту на шкіру його негайно необхідно змити водою з милом. При потрапленні в очі їх необхідно негайно ретельно промити, щонайменше 10 хвилин, та негайно звернутися до лікаря.

В гнізд зарядного пристрою, яке призначене для встановлення знімної акумуляторної батареї, не повинні потрапляти металеві деталі (небезпека короткого замикання).

ТРАНСПОРТУВАННЯ ЛІТІЙ-ІОННИХ АКУМУЛЯТОРНИХ БАТАРЕЙ

Літій-іонні акумуляторні батареї підпадають під законоположення про перевезення небезпечних вантажів.

Транспортування таких акумуляторних батарей повинно відбуватися із дотриманням місцевих, національних та міжнародних приписів та положень.

Споживачі можуть без проблем транспортувати ці акумуляторні батареї по вулиці.

Комерційне транспортування літій-іонних акумуляторних батарей експедиторськими компаніями підпадає під положення про транспортування небезпечних вантажів. Підготовку до відправлення та транспортування можуть здійснювати виключно особи, які пройшли відповідне навчання. Весь процес повинні контролювати кваліфіковані фахівці.

При транспортуванні акумуляторних батарей необхідно дотримуватися зазначених далі пунктів:

Переконайтеся в тому, що контакти захищені та ізольовані, щоб запобігти короткому замиканню. Слідкуйте за тим, щоб акумуляторна батарея не переміщувалася всередині упаковок.

Пошкоджені акумуляторні батареї, або акумуляторні батареї, що потекли, не можна транспортувати. Для отримання подальших вказівок звертайтеся до своєї експедиторської компанії.

ОБСЛУГОВУВАННЯ

Завжди підтримувати чистоту вентиляційних отворів.

Технічне обслуговування необхідно проводити не менше раз на рік або після 5000 операцій розрізання.

Замінійте зношені різальні інструменти.

Роботи з технічного обслуговування та ремонту можуть виконувати тільки авторизовані спеціалізовані центри.

Прилад містить гідравлічну оливу, яка небезпечна для ґрунтових вод. Неконтрольоване зливання або неналежна утилізація караютьсяся.

Використовувати тільки комплектуючі та запчастини Milwaukee. Деталі, заміна яких не описується, замінювати тільки в відділі обслуговування клієнтів Milwaukee (зверніть увагу на брошуру „Гарантія / адреси сервісних центрів“).

У разі необхідності можна запросити креслення з зображенням вузлів машини в перспективному вигляді, для цього потрібно звернутися в ваш відділ обслуговування клієнтів або безпосередньо в Techtronic Industries GmbH, Max-Eyth-Straße 10, 71364 Winnenden, Німеччина, та вказати тип машини та шестизначний номер на фірмовій таблиці з даними машини.

СЕРТИФІКАТ ВІДПОВІДНОСТІ ВИМОГАМ ЄС

Ми заявляємо на власну відповідальність, що виріб, описаний в „Технічних даних“, відповідає всім застосовним положенням директиви

2011/65/EU (RoHS)

2006/42/EC

2014/30/EU

та наступним гармонізованим нормативним документам:

EN 62841-1:2015

EN 55014-1:2017+A11:2020

EN 55014-2:2015

EN IEC 63000:2018



Winnenden, 2020-11-26

Alexander Krug / Managing Director

Уповноважений із складання технічної документації.

Techtronic Industries GmbH

Max-Eyth-Straße 10, 71364 Winnenden, Germany

СИМВОЛИ



УВАГА! ПОПЕРЕДЖЕННЯ! НЕБЕЗПЕЧНО!



Уважно прочитайте інструкцію з експлуатації перед введенням приладу в дію.



Під час роботи з машиною завжди носити захисні окуляри.



Небезпека ураження електрострумом

Українська



Тримайте руки на безпечній відстані від різальних інструментів і інших рухомих частин. Пальці можуть потрапити в різальний механізм, який може відірвати або травмувати їх.



Перед будь-якими роботами на приладі вийняти змінну акумуляторну батарею.



Комплектуючі - не входять в обсяг постачання, рекомендовані доповнення з програми комплектуючих.



Електричні прилади не можна утилізувати з побутовими відходами. Електричні та електронні прилади необхідно збирати окремо та здавати в спеціалізовані підприємства для утилізації, що не шкодить навколишньому середовищу. Зверніться до місцевих органів або до вашого дилера, щоб отримати адреси пунктів вторинної переробки та пунктів прийому.



Європейський знак відповідності



Британський знак відповідності



Український знак відповідності



Євразійський знак відповідності



إعلان المطابقة - الاتحاد الأوروبي

نعلن تحت مسؤوليةنا وحدنا أن المنتج المعين تحت اسم
"البيانات الفنية" يستوفي جميع الأحكام ذات الصلة ضمن
التوجيهات

2011/65/EU (Rohs)

2006/42/EG

2014/30/EU

والمعايير المتسقة التالية

EN 62841-1:2015

EN 55014-1:2017+A11:2020

EN 55014-2:2015

EN IEC 63000:2018

Winnenden, 2020-11-26



Alexander Krug

Alexander Krug / Managing Director
معمتدة للمطابقة مع الملف الفني

Techtronic Industries GmbH
Max-Eyth-Straße 10, 71364 Winnenden,
Germany



قد يتسرب حامض البطارية من البطاريات التالفة في ظروف
الحمل الزائد بدرجة كبيرة أو في درجات الحرارة الشديدة.
في حالة ملامسة حامض البطارية اغسل يديك فوراً بالماء
والصابون. في حالة ملامسة السائل للعينين اشطفهما جيداً
لمدة 10 دقائق على الأقل واطلب العناية الطبية فوراً.

يجب تجنب دخول أي أجزاء معدنية في قسم البطارية الخاصة
بالشاحن (خطر الماس الكهربائي)..

نقل بطاريات الليثيوم

تخضع بطاريات الليثيوم أيون لشروط قوانين نقل السلع
الخطرة.

ويجب نقل هذه البطاريات وفقاً للأحكام والقوانين المحلية
والوطنية والدولية.

يمكن للمستخدم نقل البطاريات برأ دون الخضوع لشروط
أخرى.

يخضع النقل التجاري لبطاريات الليثيوم أيون عن طريق
الغدير إلى قوانين نقل السلع الخطرة. يتعين أن يقوم أفراد
مدربون جيداً بالإعداد لعملية النقل والقيام بها بصحبة خبرة
متلهم.

متى تُنقل البطاريات:

عند التأكد من حماية أطراف توصيل البطارية وعزلها تجنباً
لحدوث قصر بالدائرة. عند التأكد من حماية حزمة البطارية
من الحركة داخل صندوق التعبئة. يُرجى عدم نقل البطاريات
التي بها تشققات أو تسربات. يُرجى البحث مع شركة الشحن
عن نصيحة أخرى

الصيانة

يجب أن تكون فتحات تهوية الجهاز نظيفة طوال الوقت.

يجب إجراء الصيانة على الأقل مرة في السنة أو بعد 5,000
عملية قطع.

استبدل أدوات القطع المتآكلة.

قد يقوم بالخدمة وأعمال التصليح ورش عمل مخصصة
ومعمتدة فقط.

تحتوي الآلة على سائل هيدروليكي. تُشكل السوائل
الهيدروليكية خطورة على المياه الجوفية. ويعاقب القانون
على التصريف غير المراقب أو التخلص غير الملائم من
النفايات.

استخدم فقط ملحقات ميلوكي وكذلك قطع غيار ميلوكي.

إذا كانت المكونات التي يجب تغييرها غير مذكورة، يرجى
الاتصال بأحد عملاء صيانة ميلوكي (انظر قائمة عناوين
الضمان/الصيانة الخاصة بنا).

عند الحاجة يمكن طلب رمز انفجار الجهاز بعد ذكر طراز
الآلة والرقم السداسي المذكور على بطاقة طاقة الآلة لدى جهة
خدمة العملاء أو مباشرة لدى شركة

Techtronic Industries GmbH
Max-Eyth-Straße 10
71364 Winnenden
المانيا

زوملا

تنبيه! تحذيراً خطراً!



يرجى قراءة التعليمات بعناية قبل بدء تشغيل الجهاز.



ارتد دائماً نظارات الوقاية عند استخدام الجهاز.



خطر التعرض لصعقة كهربائية



احرص على إبعاد يديك عن أدوات القطع وما عداها من
الأجزاء المتحركة. يمكن أن تنزلق الأصابع داخل آلية
القطع وتعرض للقطع أو الإصابة.



انزع البطارية قبل التعامل مع الجهاز.



الملحق - ليس مدرجاً كمعدة قياسية، متوفر كملحق.



يحظر التخلص من الأجهزة الكهربائية في القمامة
المنزلية. يجب جمع الأجهزة الكهربائية والإلكترونية
مفصلة وتسليمها للتخلص منها بشكل لا يضر
بالبيئة لدى شركة إعادة استغلال. الرجاء الاستفسار
لدى الهيئات المحلية أو لدى التجار المتخصصين عن
مواقع إعادة الاستغلال ومواقع الجمع.



علامة التوافق الأوروبية



علامة التوافق البريطانية



علامة التوافق الأوكرانية



علامة التوافق الآسيوية



العربية

قبل أي استخدام احرص على فحص أدوات القطع من حيث وجود تشققات بها أو أية مظاهر تآكل أخرى. لا تستخدم أدوات القطع وأجهزة القطع إلا عندما تكون بحالة فنية سليمة. غير مسموح باستخدام الجهاز إلا في وجود أداة قطع مركبة. تأكد من توافق العرض الاسمي للملزمة مع العرض الاسمي للسنديك.

لا تستخدم الأداة إلا مع سنايك وملازم مسموح بها للقوة الاسمية القصوى. فاستخدام تجهيزات مخالفة قد يؤدي لوقوع إصابات أو تلفيات.

حافظ على أدوات القطع حادة ونظيفة. لأن أدوات القطع المصانعة بشكل سليم والتي تتميز بحواف قطع حادة نادراً ما تتعرض للانحصار وأسهل في السيطرة.

لا تستخدمها داخل أو بالقرب من لوحات توصيل يسري بها التيار الكهربائي. لا تعمل إلا على لوحات توصيل لا يسري بها الجهد الكهربائي.

بعد الوصول للوضع النهائي لا ينطفئ الجهاز أوتوماتيكياً. بعد الانتهاء من العمل أترك الزر واضغط على زر التحرير.

في حالة ظهور أعطال أثناء عملية الكيس اترك زر التشغيل فوراً واضغط على زر تحرير الهيدروليك. حيث سيفتح الصمام ويعود المكبس إلى وضعه الأولي.

يجب إصلاح الأجزاء التالفة فوراً من خلال ورشة عمل معتمدة. يُعد الامتثال لعمل خدمة محدد وفترات الخدمة أمراً لازماً. انزع البطارية قبل التعامل مع الجهاز.

تحذيراً! لتجنب أضرار الحريق أو الإصابة أو الإضرار بالمنتج التي تنجم عن تماس الكهربائي، لا تغمر الأداة أو البطارية القابلة للاستبدال أو جهاز الشحن في السوائل واحرص على أن لا تصل السوائل إلى داخل الجهاز والبطارية. السوائل المؤدية للتآكل أو الموصلة للتيار الكهربائي، مثل الماء المالح ومركبات كيميائية معينة ومواد التبييض أو المنتجات التي تشمل على مواد تبيض، يمكن أن تؤدي إلى حدوث ماس كهربائي.

استخدم فقط شواحن System M18 لشحن بطاريات -System M18. لا تستخدم بطاريات من أنظمة أخرى.

لا تقم أبداً بفتح قفل البطارية والشواحن ولا تخزنهم إلا في غرف جافة. وحافظ عليها جاف طوال الوقت.

شروط الاستخدام المحددة

غير مسموح باستخدام الخرامة الهيدروكهربائية المشغلة بالبطارية إلا لقطع الفولاذ والاستانلس ستيل شريطة استخدام السنايك المخصصة لها.

البطاريات

يجب إعادة شحن البطارية غير المستخدمة لفترة قبل الاستخدام. تقلل درجات الحرارة التي تتجاوز 50° سيلزيوس (122° فهرنهايت) من أداء البطارية. تجنب التعرض الزائد للحرارة أو أشعة الشمس (خطر التسخين)..

يجب الحفاظ على محتويات الشواحن و البطاريات نظيفة. للحصول على فترة استخدام مثالية، يجب شحن البطاريات تماماً، بعد الاستخدام.

للحصول على أطول عمر ممكن للبطارية، انزع البطارية من الشاحن بمجرد شحنها تماماً.

لتخزين البطارية أكثر من 30 يوم، خزن البطارية بحيث تكون درجة الحرارة أقل من 27° سيلزيوس وبعيداً عن أي رطوبة. خزن البطارية مشحونة بنسبة تتراوح بين 30% -50 اشحن البطارية كاملاً، وذلك كل ستة أشهر من التخزين. لا تتخلص من البطاريات المستعملة مع النفايات المنزلية أو بحرقها. يقدم موزع ميلوكي خدمة استعادة البطاريات القديمة لحماية البيئة.

لا تقم بتخزين البطارية مع الأشياء المعدنية (خطر قصر الدائرة)..

البيانات الفنية خرامة هيدروكهربائية مشغلة بالبطارية	
إنتاج عدد	4560 30 03... 000001-999999
فولطية البطارية	18V
القوة الاسمية	60 kN
المُفَطَّر الحد الأقصى	100 mm
قوة الخامة الحد الأقصى	
معدني	3,0 mm
إستانلس ستيل	2,5 mm
الوزن وفقاً لنهج EPTA رقم 01/2003 (Li-Ion 2,0 Ah)	2,0 kg
معلومات الضوضاء	
القيم التي تم قياسها محددة وفقاً للمعايير الأوروبية EN 62841 مستويات ضوضاء الجهاز، ترجيح أ يشكل نموذجي كالتالي:	
مستوى ضغط الصوت (الارتباب في القياس = 3 ديسيبل (l))	65,8 dB (A)
مستوى شدة الصوت (الارتباب في القياس = 3 ديسيبل (l))	76,8 dB (A)
ارتد و أقيات الأذن!	
معلومات الامتزاز	
قيم الذبذبات الإجمالي (مجموع الكميات الموجهة في المحاور الثلاثة) محددة وفقاً للمعايير الأوروبية EN 62841.	
قيمة انبعاث الذبذبات a _h	1,28 m/s ²
الارتباب في القياس	1,5 m/s ²



Ara

تحذير!

تم قياس مستوى انبعاث الذبذبات الموجود بوثيقة المعلومات هذه وفقاً للاختبار القياسي وفقاً للمعايير الأوروبية EN 62841 ويمكن استخدامه لمقارنة جهاز بغيره. كما يمكن استخدامه لعرض تقييم تمهيدي.

يمثل مستوى انبعاث الذبذبات المعلن عنه تطبيقات الجهاز الرئيسية. بالرغم من ذلك، فإنه إذا ما تم استخدام الجهاز لتطبيقات مختلفة، بمحطات مختلفة أو لم يتم المحافظة عليه، فقد يختلف انبعاث الذبذبات. قد يزيد ذلك بصورة كبيرة من مستوى التعرض للذبذبات طوال فترة العمل الإجمالية.

يجب الوضع في الاعتبار عند تقدير مستوى التعرض للذبذبات مرات إيقاف الجهاز أو تشغيله لكن دون استخدامه في القيام بمهمة. فقد يقلل ذلك بصورة كبيرة من مستوى التعرض للذبذبات طوال فترة العمل الإجمالية.

تعرف على معايير السلامة الإضافية لحماية المشغل من أثار الذبذبات مثل: صيانة الجهاز والملحقات، الحفاظ على دفع الأيدي، وتنظيم نماذج العمل.



تحذير! اقرأ جميع تحذيرات السلامة وجميع التعليمات، بما فيها. قد يؤدي الفشل في مراعاة التحذيرات والتعليمات إلى التعرض للإصابة بصدمة كهربائية أو الحرق و/أو إصابة خطيرة. **احتفظ بجميع التنبيهات والتعليمات للرجوع إليها مستقبلاً.**



تعليمات السلامة المتعلقة بالخرامات
استخدم معدة الوقاية. ارتد دائماً نظارة الوقاية عند العمل بالألة. ينصح باستخدام الملابس الواقية مثل الكمامات، الواقية من الغبار، والقفازات، والأحذية القوية غير المنزلفة، والخوذات، وواقيات الأذن.

احرص على إبعاد يديك وملايسك الفضفاضة عن أدوات القطع وما عداها من الأجزاء المتحركة.

Copyright 2020
Techtronic Industries GmbH
Max-Eyth-Straße 10
71364 Winnenden
Germany
+49 (0) 7195-12-0
www.milwaukeeetool.eu

Techtronic Industries (UK) Ltd
Fieldhouse Lane
Marlow Bucks SL7 1HZ
UK



**EAC UK
CA**

(11.20)

4931 4258 57