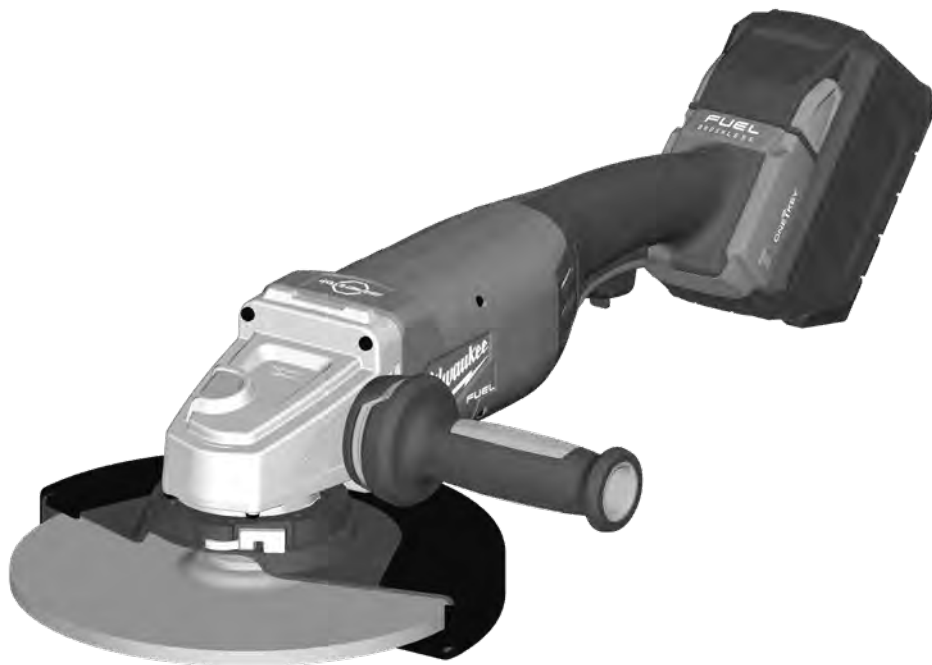


# Milwaukee®

Nothing but **HEAVY DUTY**®



## M18 ONEFLAG230XPDB

Original instructions

Originalbetriebsanleitung

Notice originale

Istruzioni originali

Manual original

Oorspronkelijke gebruiksaanwijzing

Original brugsanvisning

Original bruksanvisning

Bruksanvisning i original

Alkuperäiset ohjeet

Πρωτότυπο οδηγιών χρήσης

Orijinal işletme talimatı

Původním návodem k používání

Pôvodný návod na použitie

Instrukcją oryginalną

Eredeti használati utasítás

Izvirna navodila

Originalne pogonske upute

Instrukcijām oriģinālvalodā

Originali instrukcija

Alguräðræne kasutusjuhend

Оригинальное руководство по эксплуатации

Оригинално ръководство за експлоатация

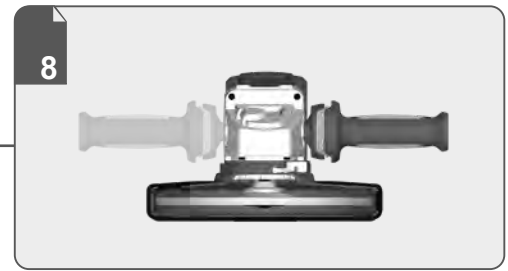
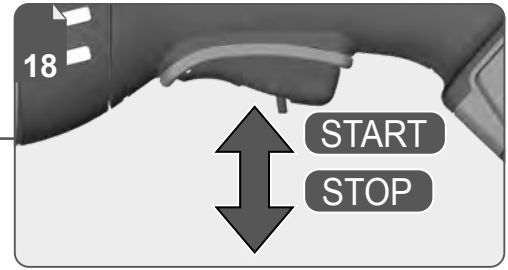
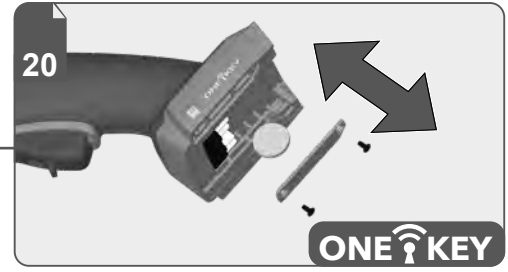
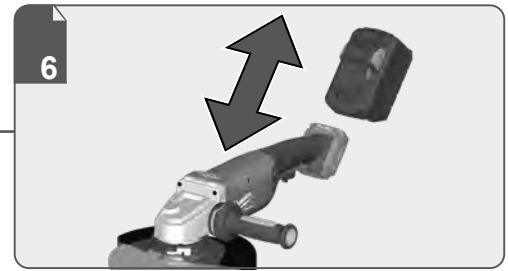
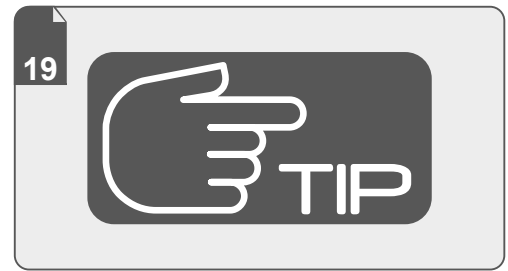
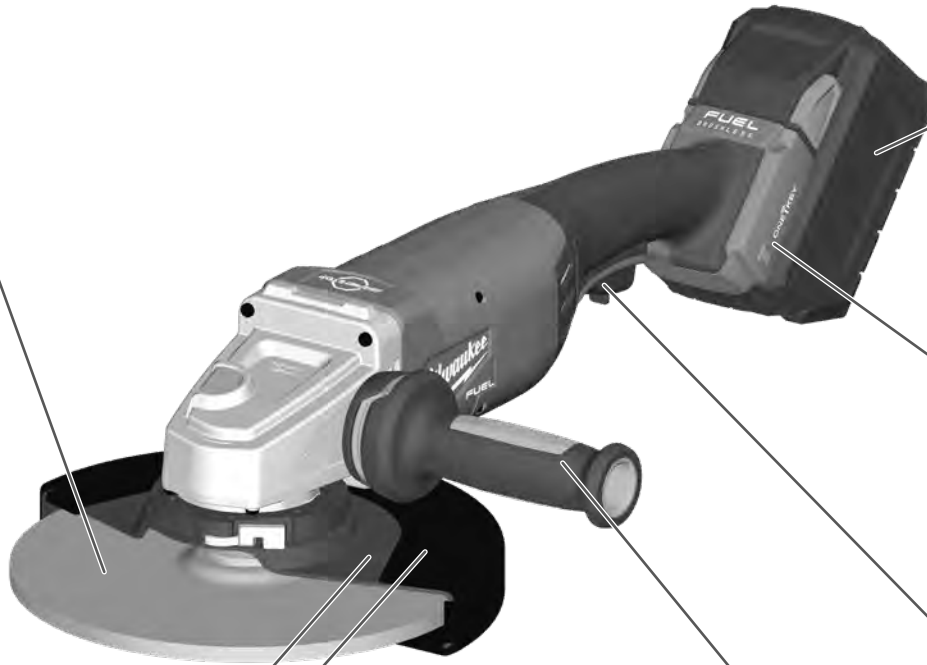
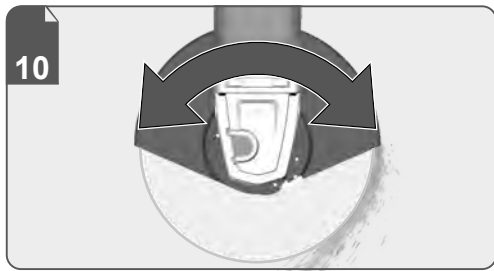
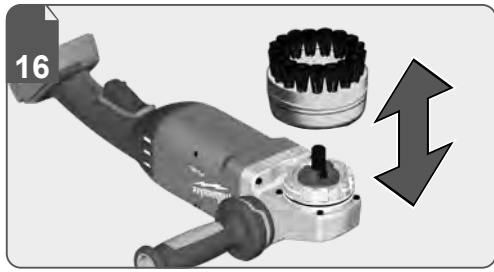
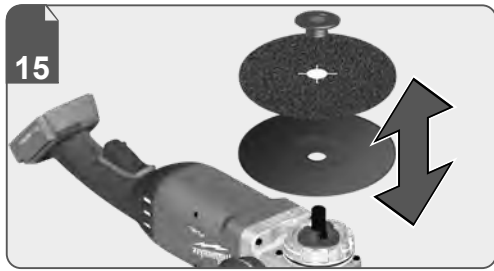
Instrucțiuni de folosire originale

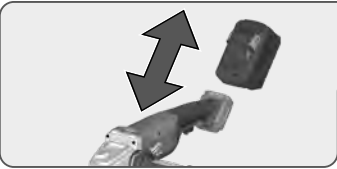
Оригинален прирачник за работа

Оригінал інструкції з експлуатації

التعليمات الأصلية

<b>ENGLISH</b>	Picture section with operating description and functional description	Page	4	Text section with Technical Data, important Safety and Working Hints and description of Symbols	Page	21
<b>DEUTSCH</b>	Bildteil mit Anwendungs- und Funktionsbeschreibungen	Seite	4	Textteil mit Technischen Daten, wichtigen Sicherheits- und Arbeitshinweisen und Erklärung der Symbole.	Seite	26
<b>FRANÇAIS</b>	Partie imagée avec description des applications et des fonctions	Page	4	Partie textuelle avec les données techniques, les consignes importantes de sécurité et de travail ainsi que l'explication des pictogrammes.	Page	31
<b>ITALIANO</b>	Sezione illustrata con descrizione dell'applicazione e delle funzioni	Pagina	4	Sezione testo con dati tecnici, importanti informazioni sulla sicurezza e sull'utilizzo, spiegazione dei simboli.	Pagina	36
<b>ESPAÑOL</b>	Sección de ilustraciones con descripción de aplicación y descripción funcional	Página	4	Sección de texto con datos técnicos, indicaciones importantes de seguridad y trabajo y explicación de los símbolos.	Página	41
<b>PORTUGUES</b>	Parte com imagens explicativas contendo descrição operacional e funcional	Página	4	Parte com texto explicativo contendo Especificações técnicas, avisos de segurança e de operação e a descrição dos símbolos.	Página	46
<b>NEDERLANDS</b>	Beeldgedeelte met toepassings- en functiebeschrijvingen	Pagina	4	Tekstgedeelte met technische gegevens, belangrijke veiligheids- en arbeidsinstructies en verklaring van de symbolen.	Pagina	51
<b>DANSK</b>	Billedel med anvendelses- og funktionsbeskrivelser	Side	4	Tekstdel med tekniske data, vigtige sikkerheds- og arbejdsanvisninger og symbolforklaring.	Side	56
<b>NORSK</b>	Billedel med bruks- og funksjonsbeskrivelse	Side	4	Tekstdel med tekniske data, viktige sikkerhets- og arbeidsinstruksjoner og forklaring av symbolene.	Side	61
<b>SVENSKA</b>	Bilddel med användnings- och funktionsbeskrivning	Sidan	4	Textdel med tekniska informationer, viktiga säkerhets- och användningsinstruktioner samt symbolförklaringar.	Sidan	66
<b>SUOMI</b>	Kuvasivut käyttö- ja toimintakuvaus	Sivu	4	Tekstisivut: tekniset tiedot, tärkeät turvallisuus- ja työskentelyohjeet sekä merkkien selitykset.	Sivu	71
<b>ΕΛΛΗΝΙΚΑ</b>	Τμήμα εικόνων με περιγραφές χρήσης και λειτουργίας	Σελίδα	4	Τμήμα κειμένου με τεχνικά χαρακτηριστικά, σημαντικές υποδείξεις ασφαλείας και εργασίας και εξήγηση των συμβόλων.	Σελίδα	76
<b>TÜRKÇE</b>	Resim bölümü Uygulama ve fonksiyon açıklamaları ile birlikte	Sayfa	4	Teknik bilgileri, önemli güvenlik ve çalışma açıklamalarını ve de sembollerin açıklamalarını içeren metin bölümü.	Sayfa	81
<b>ČESKY</b>	Obrazová část s popisem aplikací a funkcí	Stránka	4	Textová část s technickými daty, důležitými bezpečnostními a pracovními pokyny a s vysvětlivkami symbolů	Stránka	86
<b>SLOVENSKY</b>	Obrazová časť s popisom aplikácií a funkcií	Stránka	4	Textová časť s technickými dátami, dôležitými bezpečnostnými a pracovnými pokynmi a s vysvetlivkami symbolov	Stránka	91
<b>POLSKI</b>	Część rysunkowa z opisami zastosowania i działania	Strona	4	Część opisowa z danymi technicznymi, ważnymi wskazówkami dotyczącymi bezpieczeństwa i pracy oraz objaśnieniami symboli.	Strona	96
<b>MAGYAR</b>	Képes részalkalmazási- és működési leírásokkal	Oldal	4	Szöveges rész műszaki adatokkal, fontos biztonsági- és munkavégzési útmutatásokkal, valamint a szimbólumok magyarázata.	Oldal	101
<b>SLOVENŠČINA</b>	Del slikez opisom uporabe in funkcij	Stran	4	Del besedila s tehničnimi podatki, pomembnimi varnostnimi opozorili in delovnimi navodili in pojasnili simbolov.	Stran	106
<b>HRVATSKI</b>	Dio sa slikamasa opisima primjene i funkcija	Stranica	4	Dio štiva sa tehničkim podacima, važnim sigurnosnim i radnim uputama i objašnjenjem simbola.	Stranica	111
<b>LATVISKI</b>	Attēla daļa ar lietošanas un funkciju aprakstiem	Lappuse	4	Teksta daļa ar tehniskajiem parametriem, svarīgiem drošības un darbības norādījumiem, simbolu atšifrējumiem.	Lappuse	116
<b>LIETUVIŠKAI</b>	Paveikslėlio dalis su vartojimo instrukcija ir funkcijų aprašymais	Puslapis	4	Teksto dalis su techniniais duomenimis, svarbiomis saugumo ir darbo instrukcijomis bei simbolių paaiškinimais.	Puslapis	121
<b>EESTI</b>	Pildiosa kasutusjuhendi ja funktsioonide kirjeldusega	Lehekülg	4	Tekstiosa tehniliste näitajate, oluliste ohutus- ja tööjuhenditega ning sümbolite kirjeldustega.	Lehekülg	126
<b>РУССКИЙ</b>	Раздел иллюстраций с описанием эксплуатации и функций	Страница	4	Текстовый раздел, включающий технические данные, важные рекомендации по безопасности и эксплуатации, а также описание используемых символов.	Страница	131
<b>БЪЛГАРСКИ</b>	Част със снимки с описание за приложение и функции	Страница	4	Част с текст с технически данни, важни указания за безопасност и работа и разяснение на символите.	Страница	136
<b>ROMÂNĂ</b>	Secvența de imagine cu descrierea utilizării și a funcționării	Pagina	4	Porțiune de text cu date tehnice, indicații importante privind siguranța și modul de lucru și descrierea simbolurilor.	Pagina	141
<b>МАКЕДОНСКИ</b>	Дел со сликисо описи за употреба и функционирање	Страница	4	Текстуален дел со Технички карактеристики, важни безбедносни и работни упатства и објаснување на симболите.	Страница	146
<b>УКРАЇНСЬКА</b>	Частина з зображеннями з описом робіт та функцій	Сторінка	4	Текстова частина з технічними даними, важливими вказівками з техніки безпеки та експлуатації і поясненням символів.	Сторінка	151
<b>عربي</b>	قسم الصور يوجد به الوصف التشغيلي والوظيفي	الصفحة	4	القسم النصي المزود بالبيانات الفنية والنصائح الهامة للسلامة والعمل ووصف الرموز	الصفحة	159





Remove the battery pack before starting any work on the machine.  
Vor allen Arbeiten an der Maschine den Wechselakku herausnehmen.

Avant tous travaux sur la machine retirer l'accu interchangeable.

Prima di iniziare togliere la batteria dalla macchina.

Retire la batería antes de comenzar cualquier trabajo en la máquina.

Antes de efectuar cualquier intervención na máquina retirar o bloco acumulador.

Voor alle werkzaamheden aan de machine de akku verwijderen.

Ved arbejde inden i maskinen, bør batteriet tages ud.

Ta ut vekslebatteriet før du arbeider på maskinen

Drag ur batteripaket innan arbete utföres på maskinen.

Tarkista pistotulppa ja verkkojohto mahdollisilta vaurioilta. Viat saa korjata vain alan erikoismies.

Πριν από κάθε εργασία στη μηχανή αφαιρέστε την ανταλλακτική μπαταρία.

Aletin kendinde bir çalışma yapmadan önce kartuş aküyü çıkarın.

Před zahájením veškerých prací na vrtacím šroubováku vyjmout výměnný akumulátor.

Pred každou pracou na stroji výměnný akumulátor vytiahnuť.

Przed przystąpieniem do jakichkolwiek prac na elektronarzędziu należy wyjąć wkładkę akumulatorową.

Karbantartás, javítás, tisztítás, stb. előtt az akkumulátort ki kell venni a készülékből.

Pred deli na stroju izvlecite izmenljivi akumulator.

Prije svih radova na stroju izvaditi bateriju za zamjenu.

Pirms mašīnai veikt jebkāda veida apkopes darbus, ir jāizņem ārā akumulators.

Prieš atlikdami bet kokius darbus įrenginyje, išimkite keičiamą akumuliatorių.

Enne kõiki töid masina kallal võtke vahetavat aku välja.

Вывньте аккумулятор из машины перед проведением с ней каких-либо манипуляций.

Преди започване на каквото е да е работи по машината извадете акумулатора.

Scoateți acumulatorul înainte de a începe orice intervenție pe mașină.

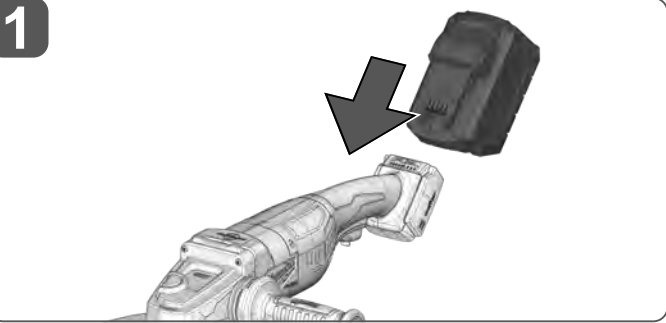
Отстранете ја батеријата пред да започнете да ја користите машината.

Перед будь-якими роботами на машині ви́няти змінну акумуляторну батарею.

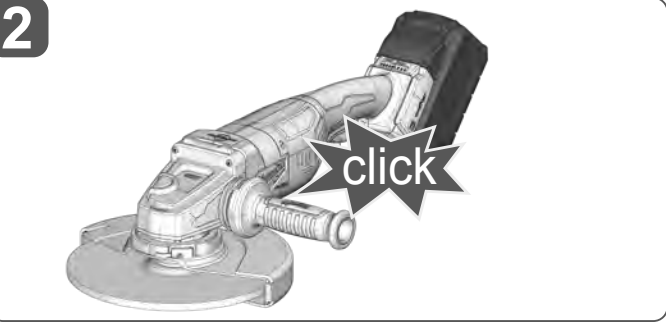
قم ب إزالة حزمة البطارية قبل البدء في أي أعمال على الجهاز.



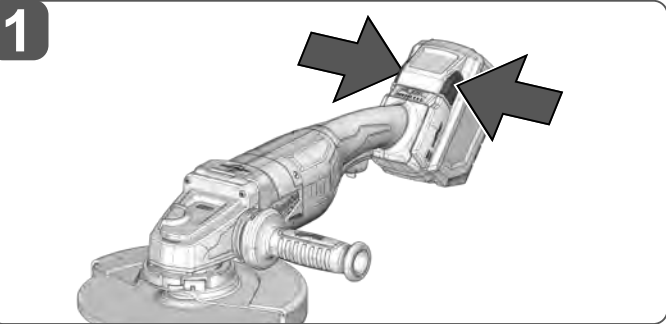
1



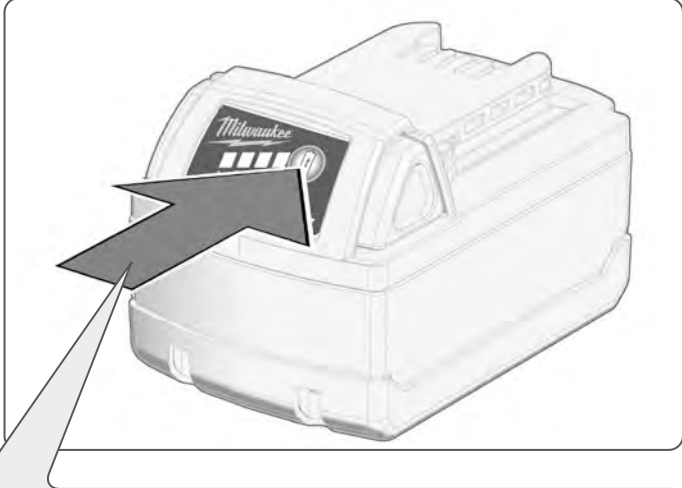
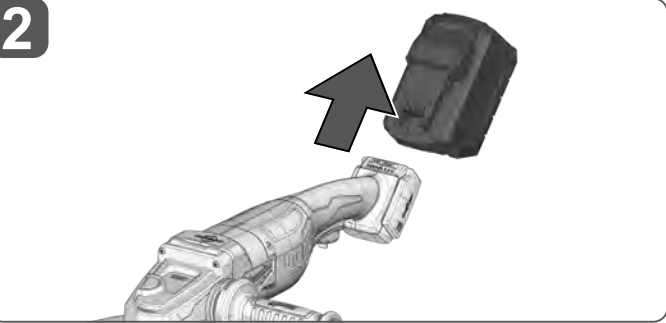
2



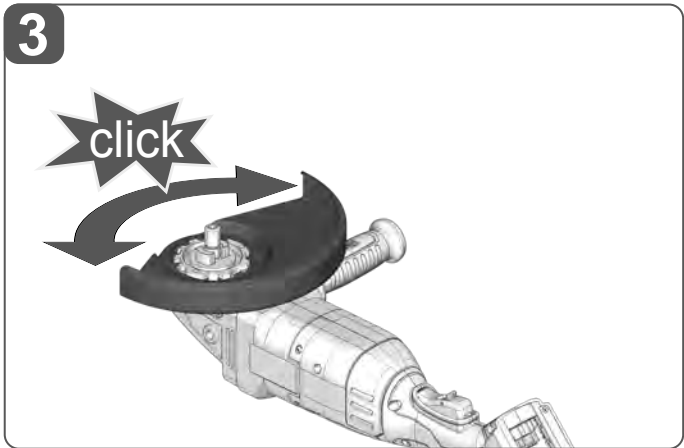
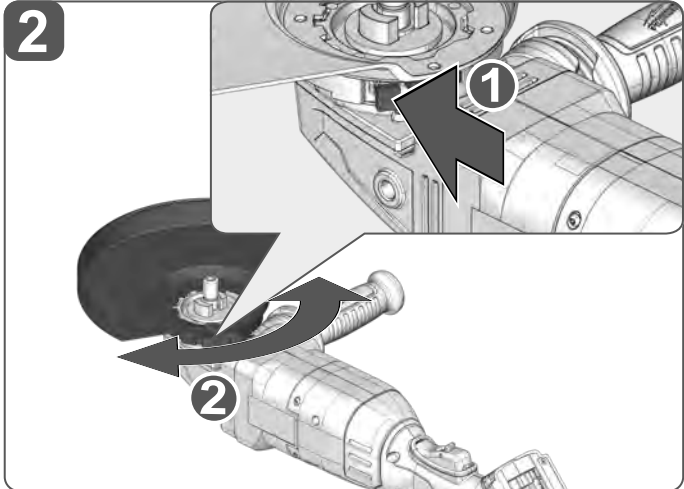
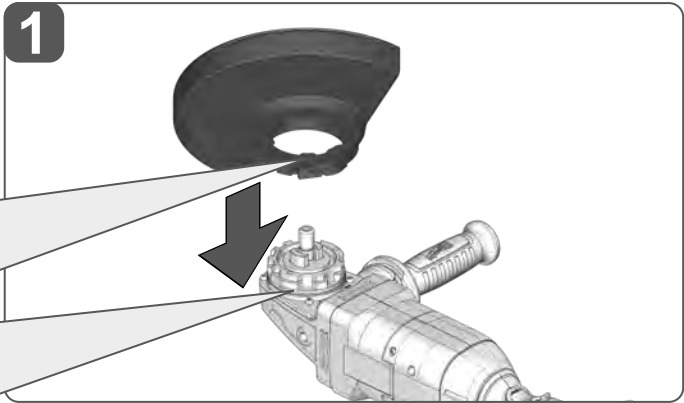
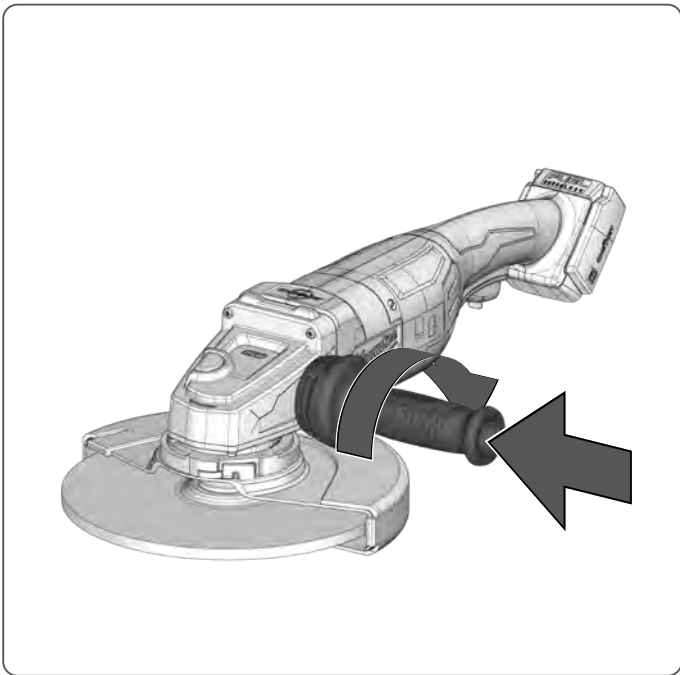
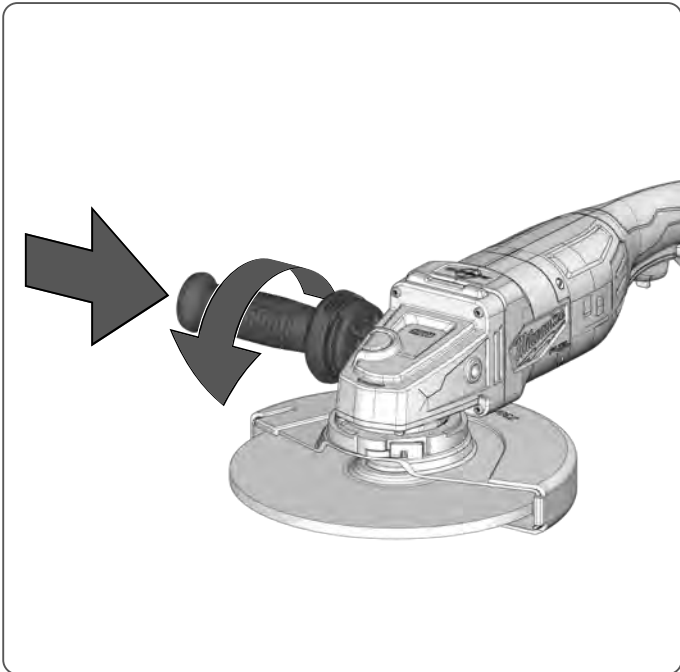
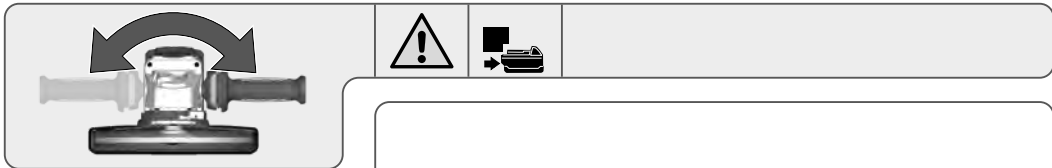
1

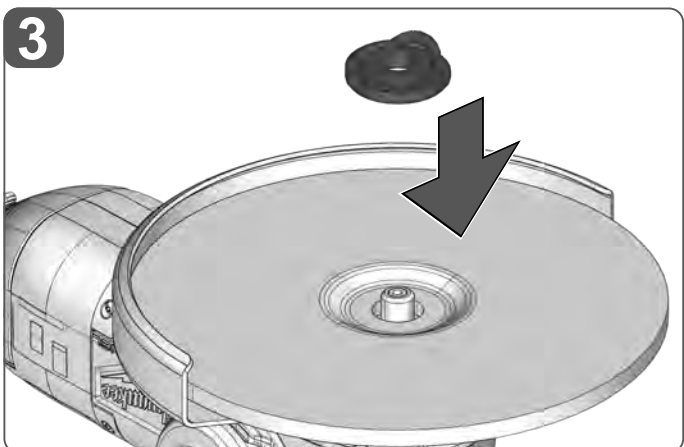
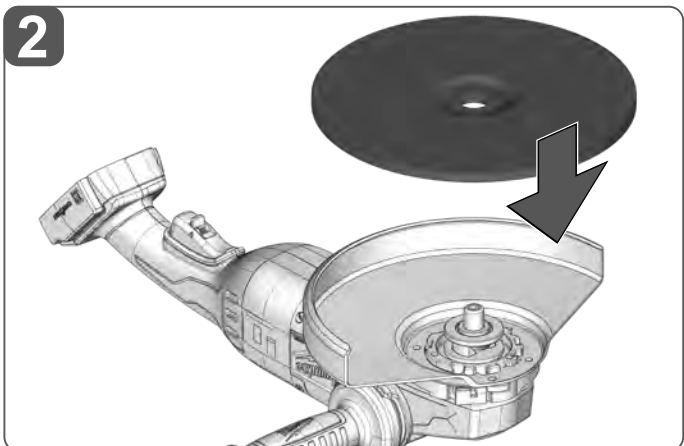
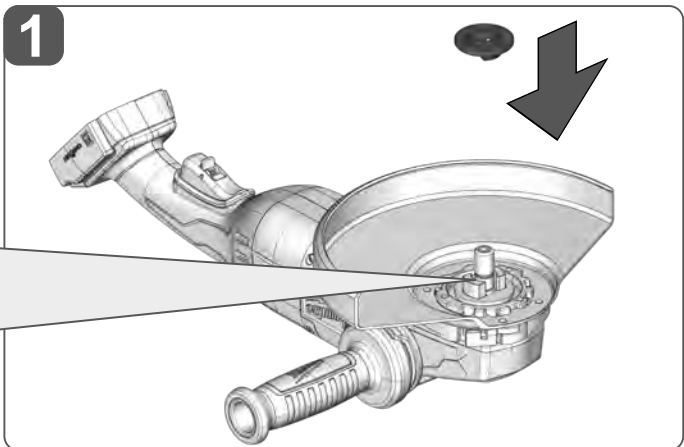
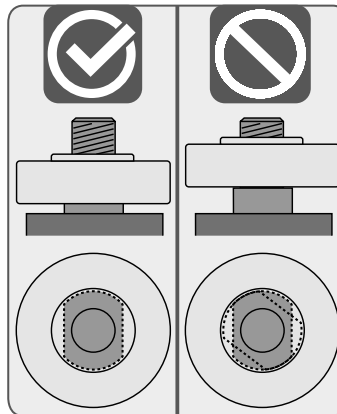
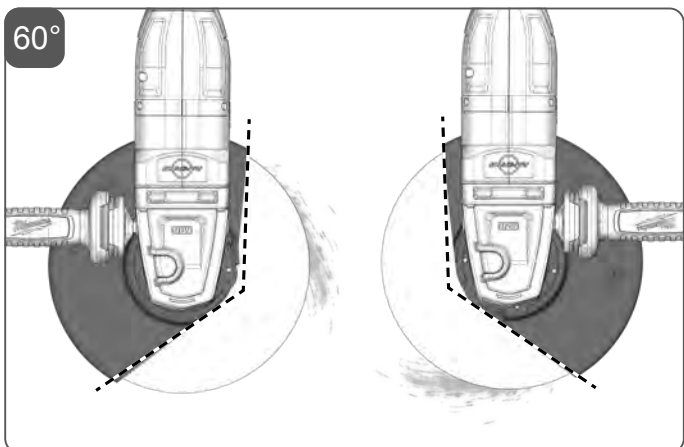
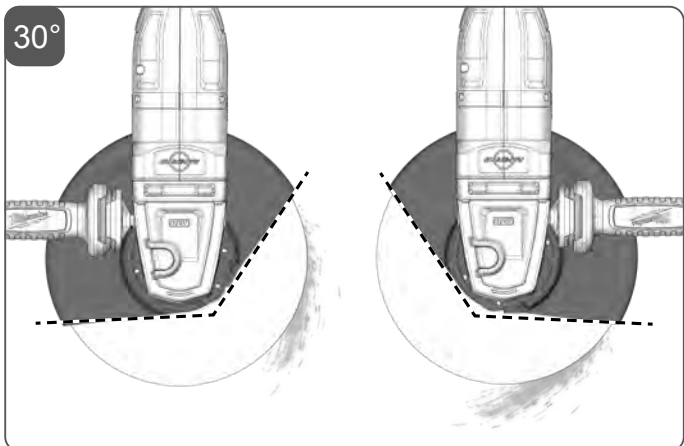
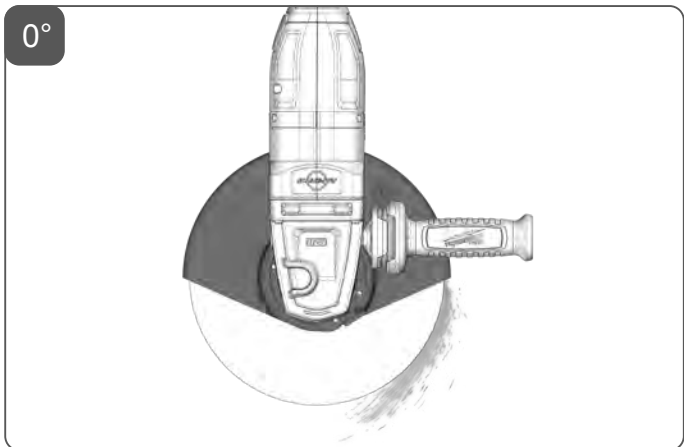
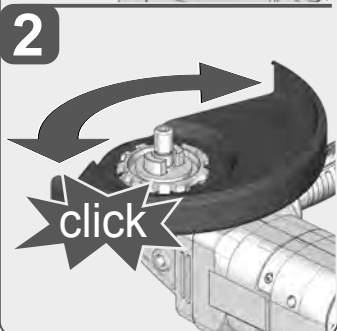
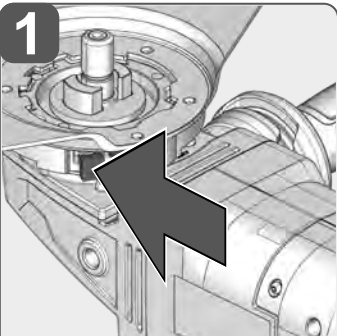


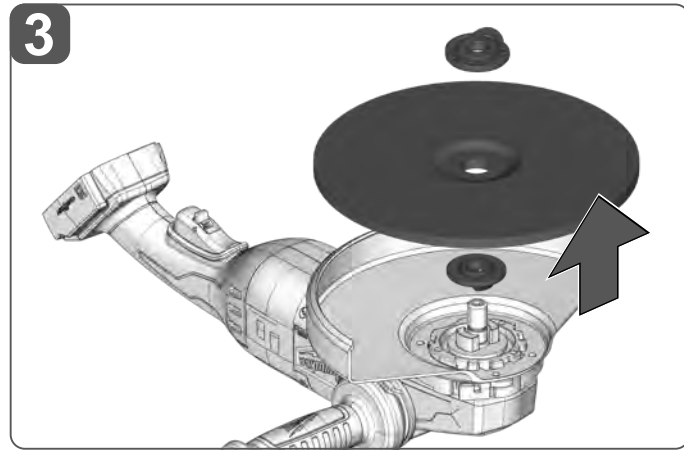
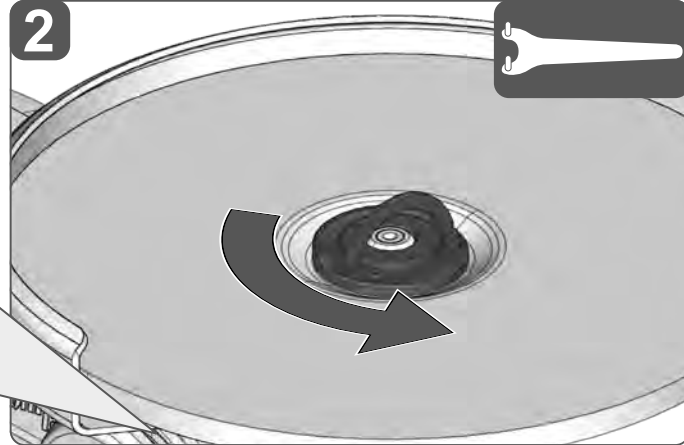
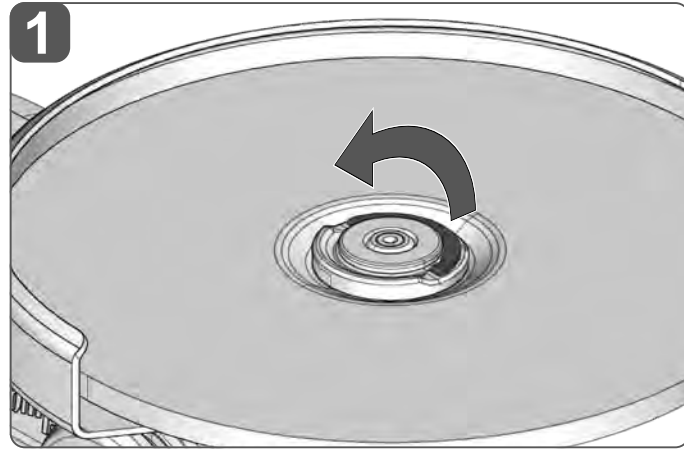
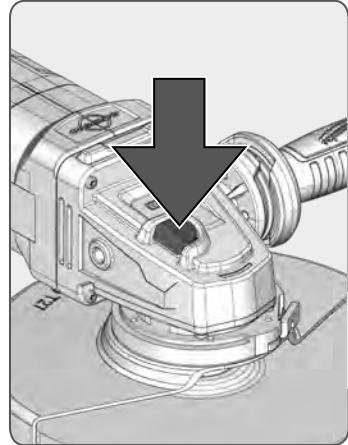
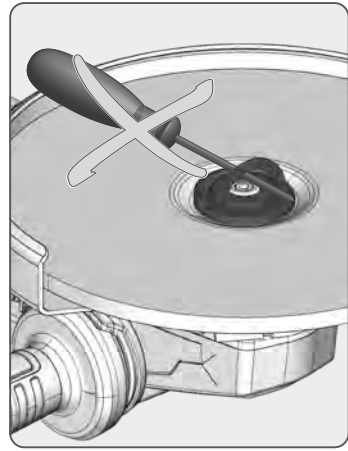
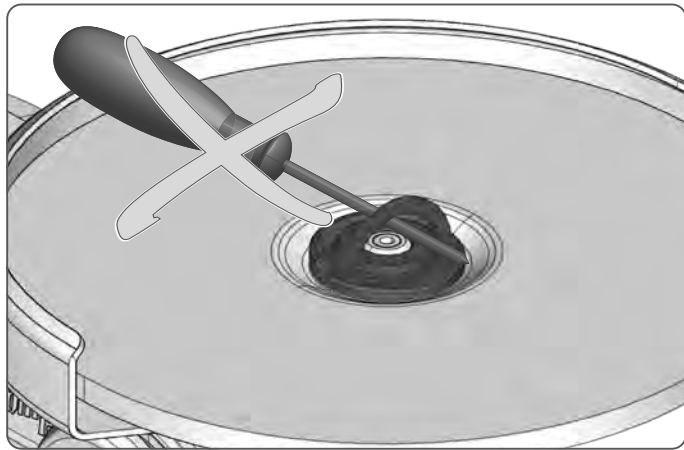
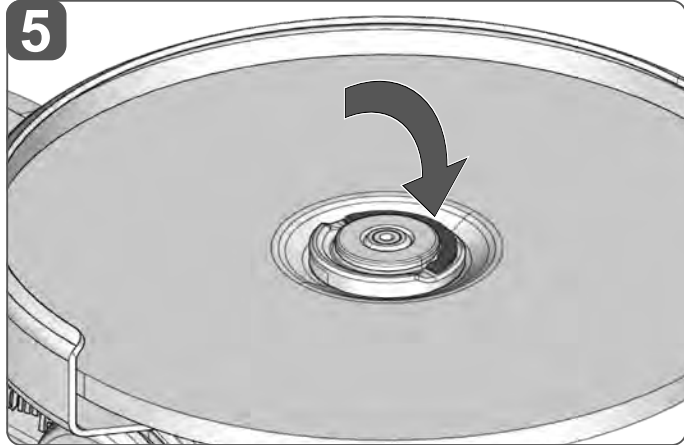
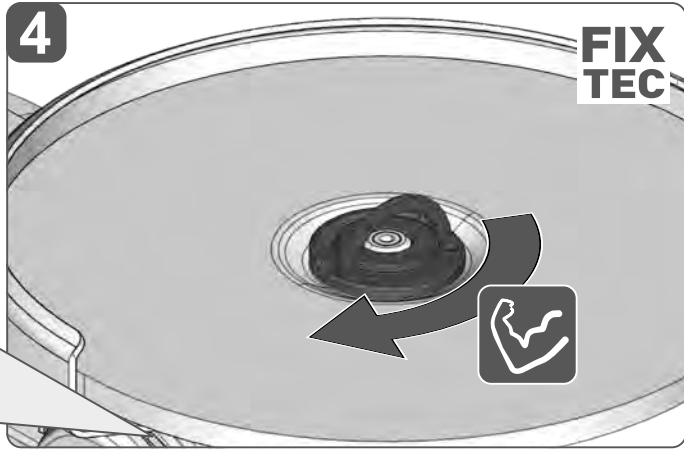
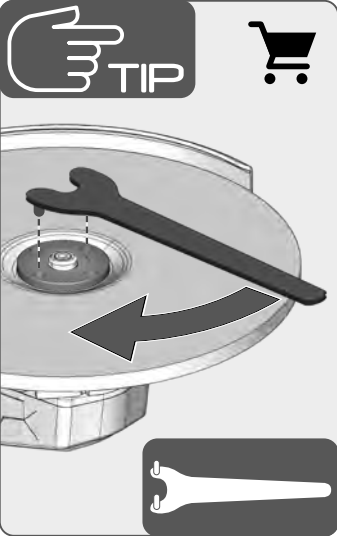
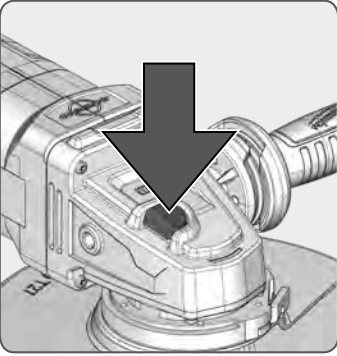
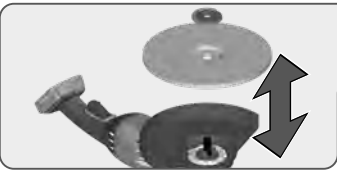
2

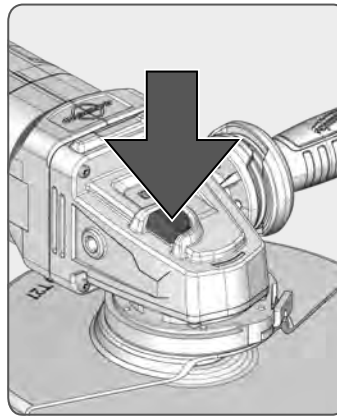
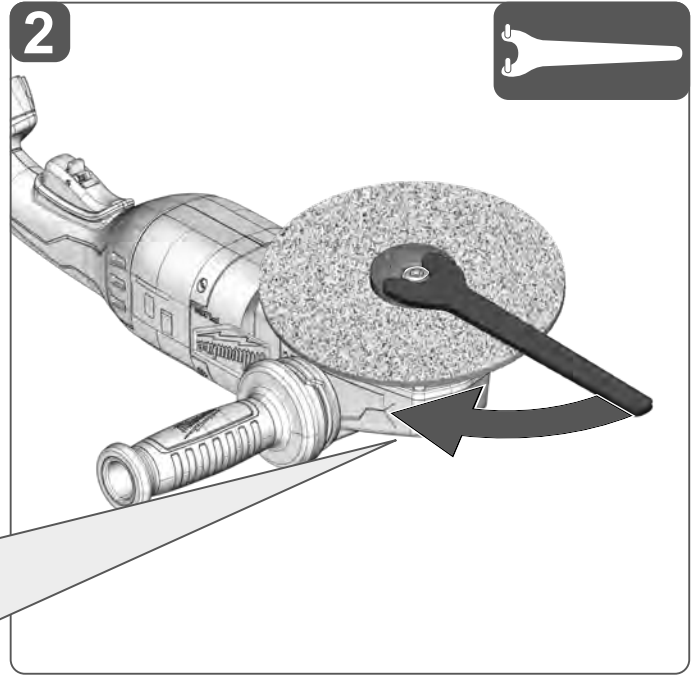
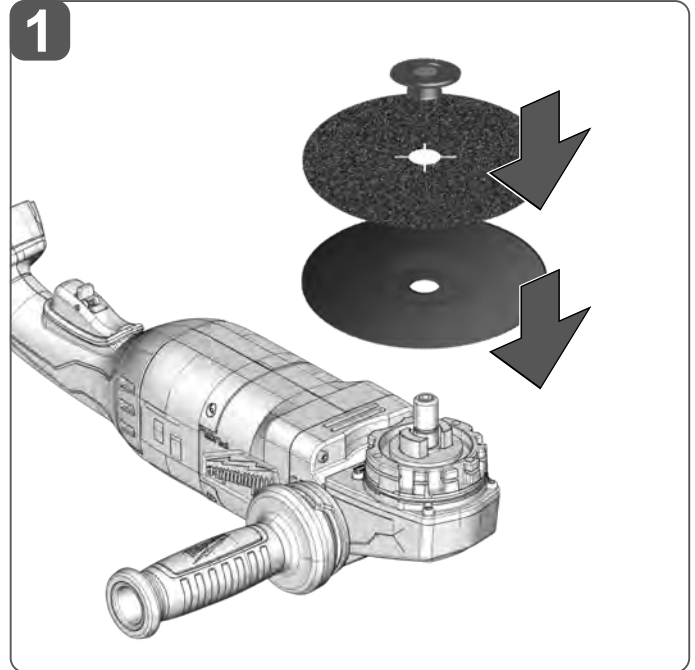
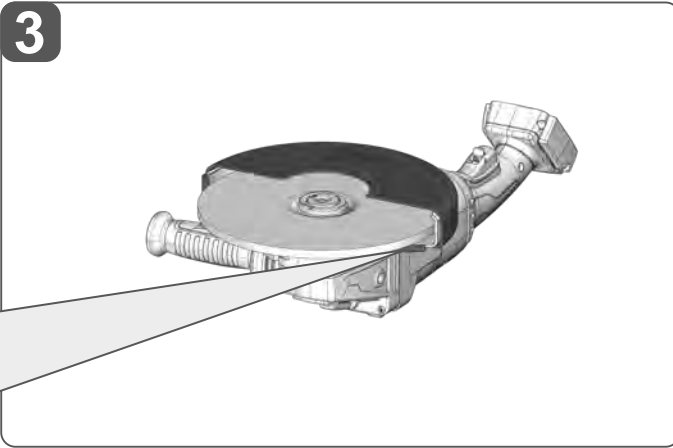
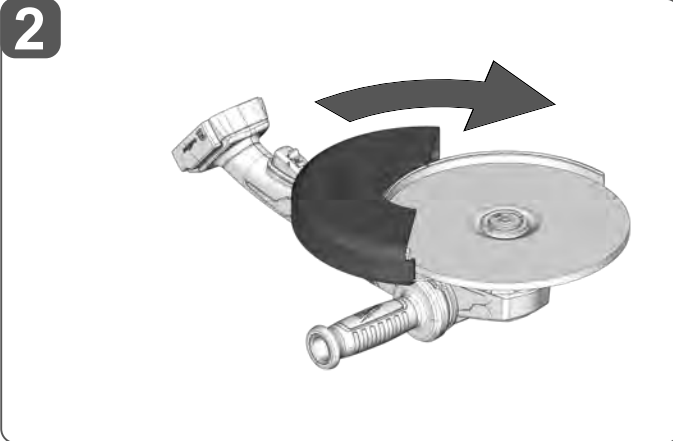
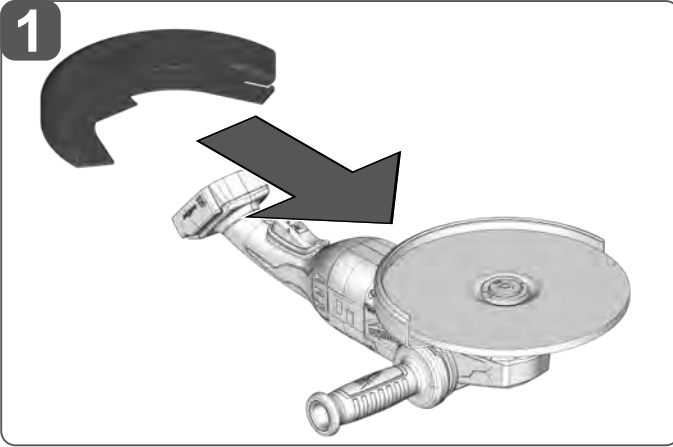
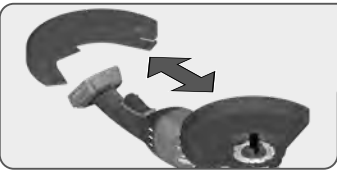


	75-100 %
	50-75 %
	25-50 %
	10-25 %
	< 10 %

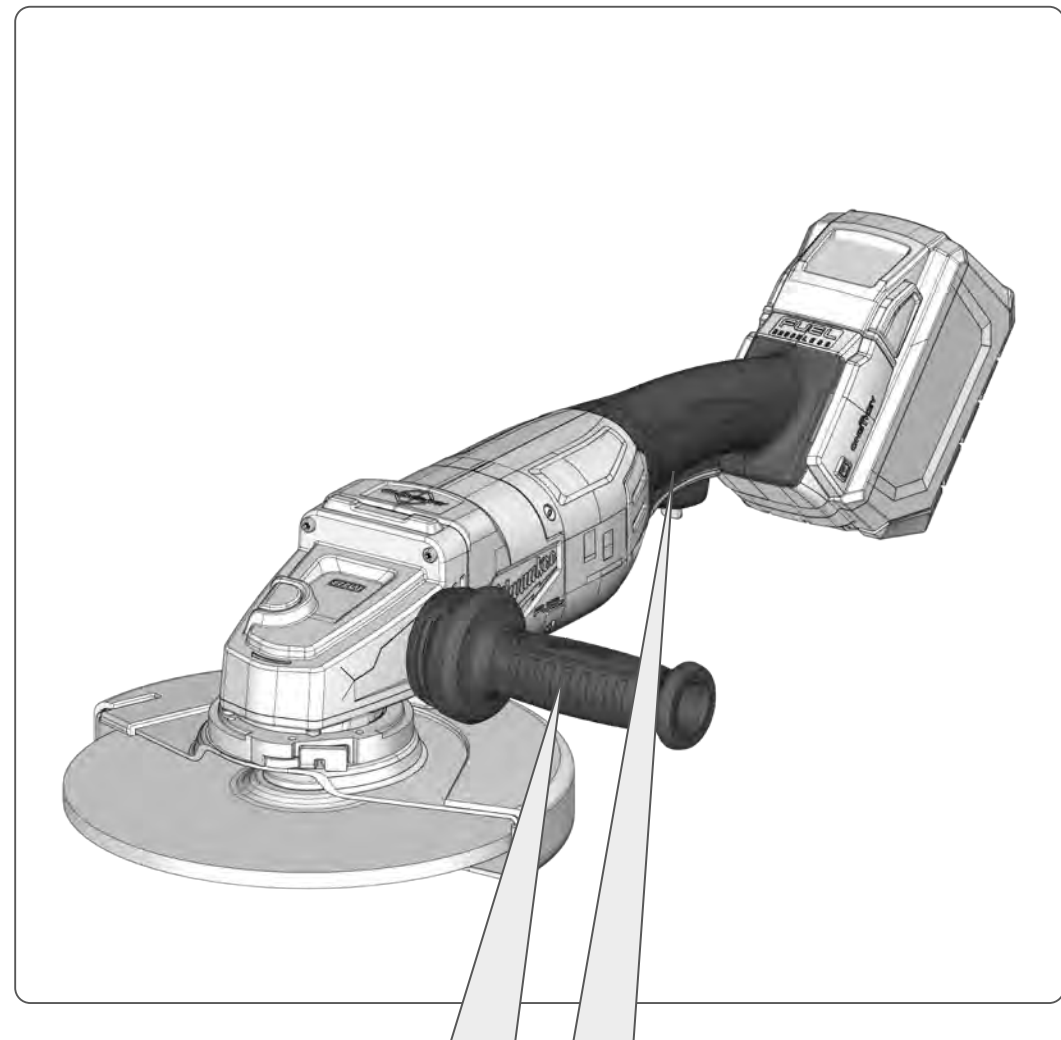
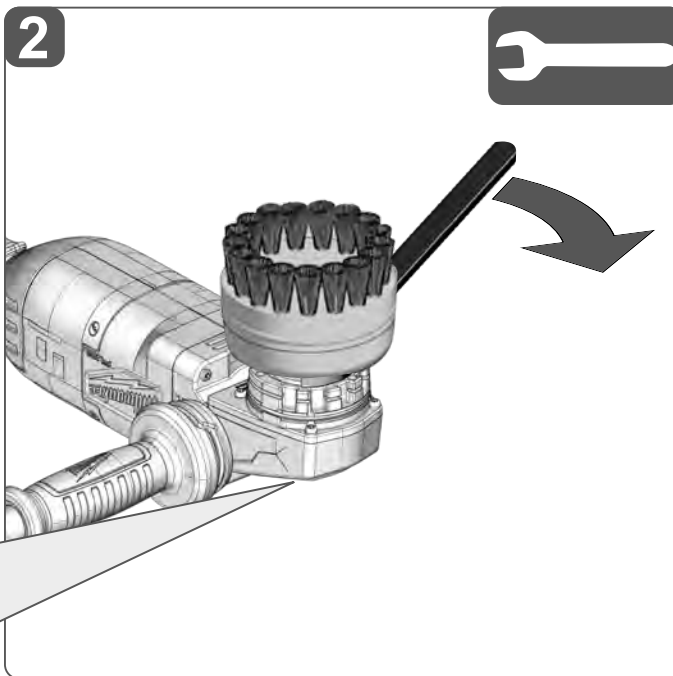
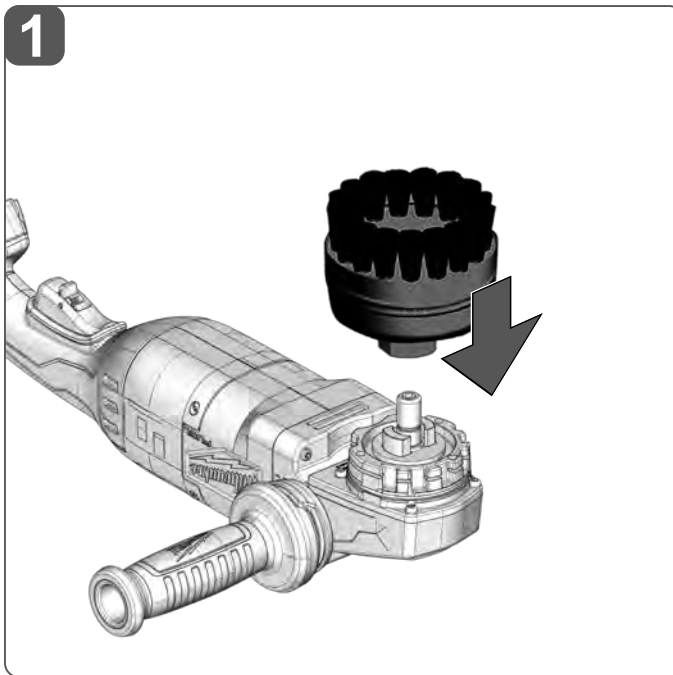




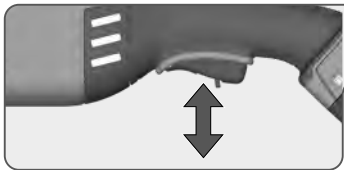




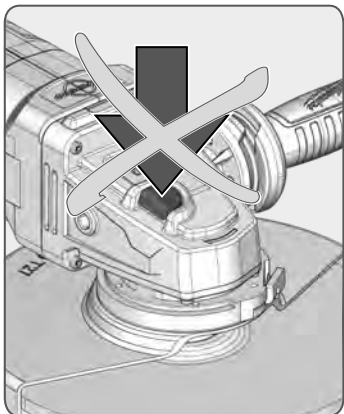
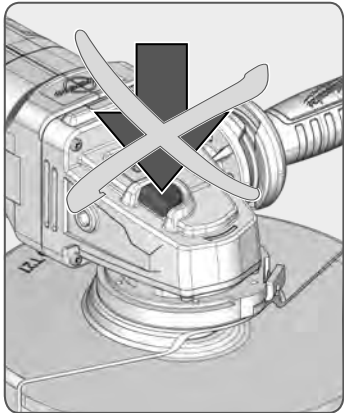
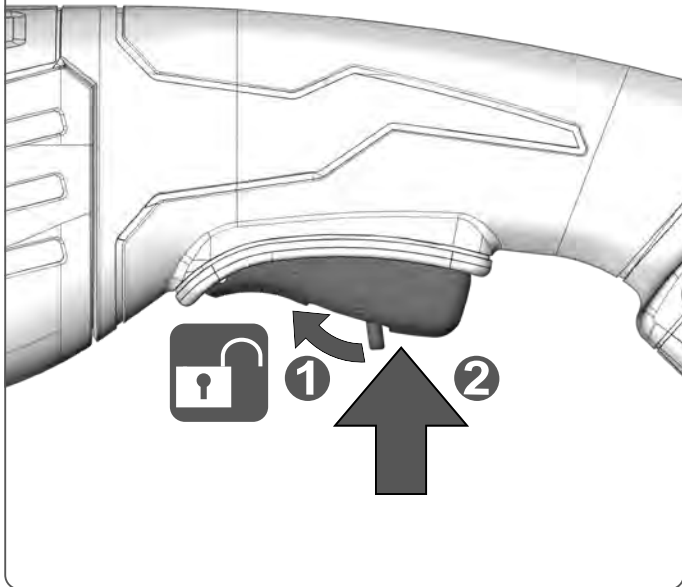




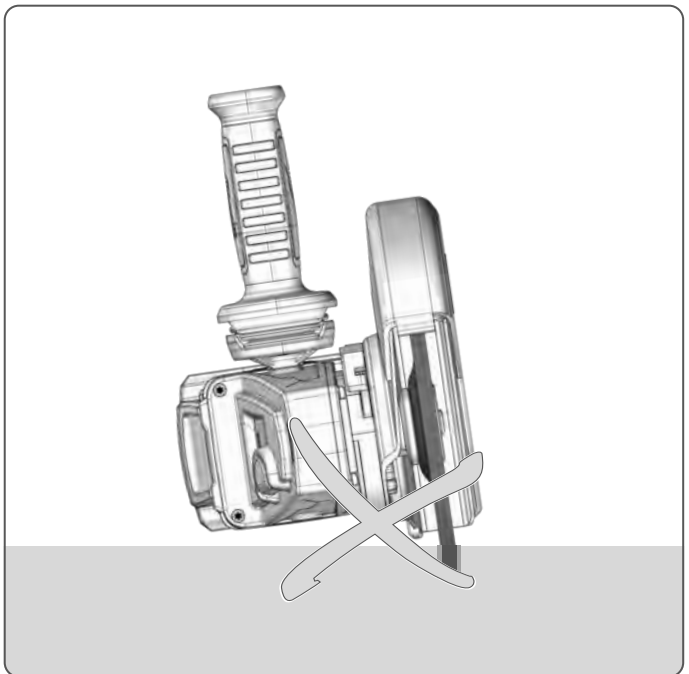
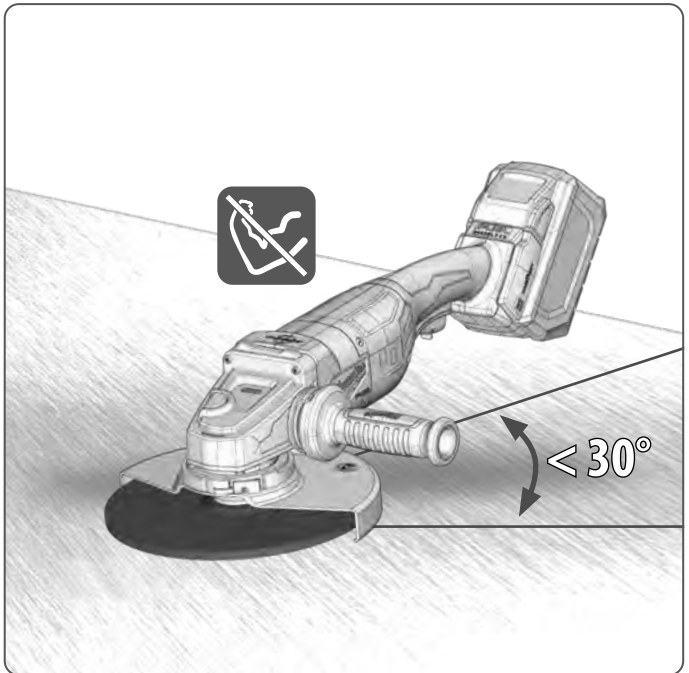
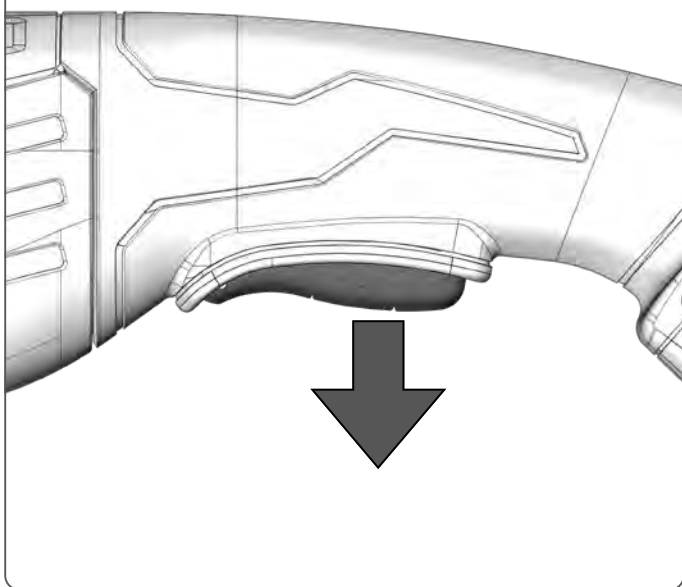
Insulated gripping surface	İzolasyonlu tutma yüzeyi	Suprafață de prindere izolată
Isolierte Grifffläche	Izolovaná uchopovací plocha	Изолирана површина на дршката
Surface de prise isolée	Izolovaná úchopná plocha	Изолирована поверхность ручки
Superficie di presa isolata	Izolowana powierzchnia uchwytu	مساحة المقبض معزولة
Superficie de agarre con aislamiento	Szigetelt fogófelület	
Superficie de pega isolada	Izolirana prijemalna površina	
Geïsoleerde handgrepen	Izolirana površina za držanje	
Isolerede gribeflader	Izolēta satveršanas virsma	
Isolert gripeflate	Izoliuotas rankenos paviršius	
Isolerad greppyta	Isoleeritud pideme piirkond	
Eristetty tarttumapinta	Изолированная поверхность ручки	
Μονωμένη επιφάνεια λαβής	Изолирана повърхност за хващане	

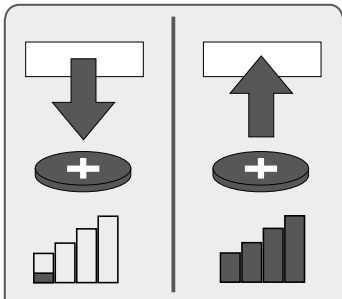
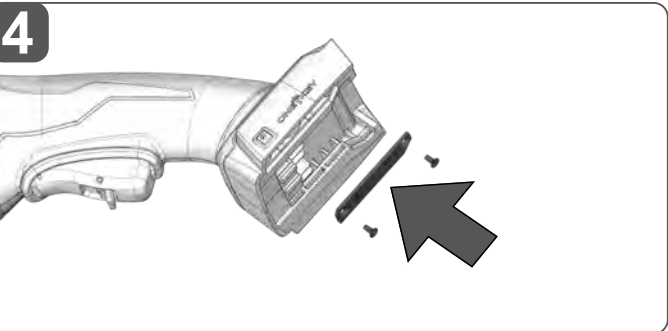
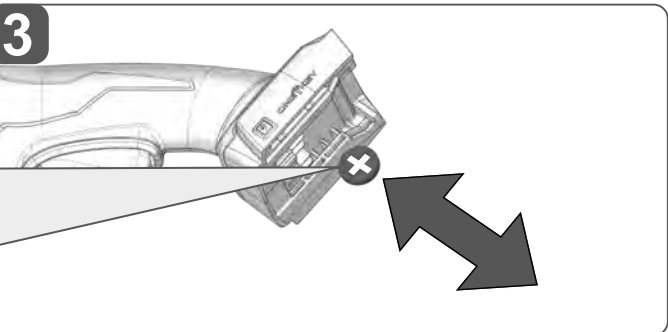
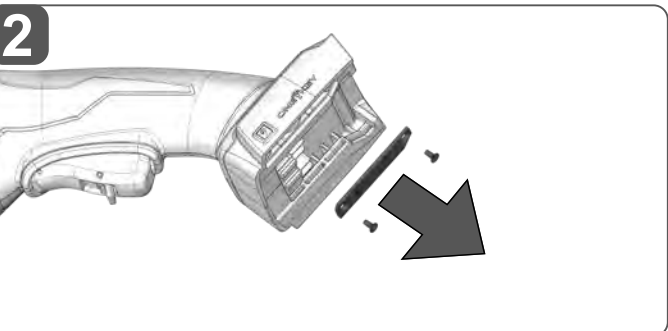
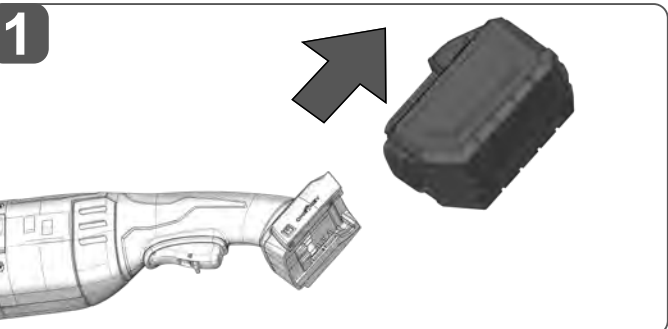


## START



## STOP





3V CR2032  
Coin Cell  
Knopfzelle  
Batterie bouton  
Bateria a bottone  
Célula de botón  
Knopfzelle  
Knoopcel  
Knapcelle  
Knappcelle  
Knappcell  
Nappiparisto  
Κερματοειδής μπαταρία  
Düğme pil  
Knoflíkový akumulátor  
Gombíkový akumulátor  
Ogniwo guzikowe  
Gombelem  
Gumbasta baterija  
Čelija  
Podziņelements  
Diskinis galvaninis elementas  
Nööpelement  
Миниатюрный элемент питания  
Глоска батерия  
Baterie tip nasture  
Батерија тип копче  
Мініатюрний елемент живлення  
بطارية كالمزر

#### TECHNICAL DATA

#### M18 ONEFLAG230XPDB

Type	Cordless Angle Grinder
Production code	4835 68 01 XXXXXX MJJJJ
Battery voltage	18 V $\approx$
Frequency band(s) of Bluetooth	2400 - 2483,5 MHz
Radio-frequency power	2 dBm
Bluetooth version	4.2 BT signal mode
Rated speed	6600 min <sup>-1</sup>
Thread of work spindle	M14
D=Grinding disc diameter max.	230 mm
d=Grinding disc hole diameter	22,2 mm

b=Grinding disc thickness max.	8 mm
--------------------------------	------

b=Cutting disc thickness max. / min.	3 mm / 1,9 mm
--------------------------------------	---------------

D=Sanding disc diameter max.	230 mm
------------------------------	--------

D=Wiring brush diameter max.	100 mm
------------------------------	--------

Weight according EPTA-Procedure 01/2014 (Li-Ion 2,0 Ah ... 12,0 Ah)	4,2 ... 5,4 kg
--	----------------

Recommended Ambient Operating Temperature	-18 ... +50 °C
---	----------------

Recommended battery types	M18B...; M18HB...
---------------------------	-------------------

Recommended charger	M12-18...; M1418C6
---------------------	--------------------

**Noise information:** Measured values determined according to EN 60745.

Typically, the A-weighted noise levels of the tool are:	
Sound pressure level / Uncertainty K	88,4 dB (A) / 3 dB (A)
Sound power level / Uncertainty K	99,4 dB (A) / 3 dB (A)

#### Wear ear protectors!

**Vibration information:** Vibration total values (triaxial vector sum) determined according to EN 60745

Vibration emission value a <sub>n</sub> / Uncertainty K	
Surface grinding	5,5 m/s <sup>2</sup> / 1,5 m/s <sup>2</sup>
Disc sanding	3,2 m/s <sup>2</sup> / 1,5 m/s <sup>2</sup>

For other applications, e.g. Abrasive Cutting-Off Operations or Wire Brushing other vibration values could occur.

#### ⚠ WARNING!

The vibration and noise emission level given in this information sheet has been measured in accordance with a standardized test given in EN 60745 and may be used to compare one tool with another. It may be used for a preliminary assessment of exposure.

The declared vibration and noise emission level represents the main applications of the tool. However if the tool is used for different applications, with different accessories or poorly maintained, the vibration and noise emission may differ. This may significantly increase the exposure level over the total working period.

An estimation of the level of exposure to vibration and noise should also take into account the times when the tool is switched off or when it is running but not actually doing the job. This may significantly reduce the exposure level over the total working period.

Identify additional safety measures to protect the operator from the effects of vibration and/or noise such as: maintain the tool and the accessories, keep the hands warm, organization of work patterns.

**⚠ WARNING!** Read all safety warnings and all instructions. Failure to follow the warnings and instructions may result in electric shock, fire and/or serious injury.

Save all warnings and instructions for future reference.

#### ANGLE GRINDER SAFETY WARNINGS

**Safety Warnings Common for Grinding, Sanding, Wire Brushing or Abrasive Cutting-Off Operations:**

a) This power tool is intended to function as a grinder, sander, wire brush or cut-off tool. Read all safety warnings, instructions, illustrations and specifications provided with this power tool. Failure to follow all instructions listed below may result in electric shock, fire and/or serious injury.

b) Operations such as polishing are not recommended to be performed with this power tool. Operations for which the power tool was not designed may create a hazard and cause personal injury.

c) Do not use accessories which are not specifically designed and recommended by the tool manufacturer. Just because the accessory can be attached to your power tool, it does not assure safe operation.

d) The rated speed of the accessory must be at least equal to the maximum speed marked on the power tool. Accessories running faster than their rated speed can break and fly apart.



#### When transporting batteries:

Ensure that battery contact terminals are protected and insulated to prevent short circuit.

Ensure that battery pack is secured against movement within packaging. Do not transport batteries that are cracked or leak. Check with forwarding company for further advice.

#### WORKING INSTRUCTIONS

For accessories intended to be fitted with threaded hole wheel, ensure that the thread in the wheel is long enough to accept the spindle length.

Always use and store the cutting and grinding wheels according to the manufacturer's instructions.

Always use the correct guard for cutting and grinding.

The grinding surface of the centre depressed wheels must be mounted min. 2 mm below the plane of the guard lip.

The adjusting nut must be tightened before starting to work with the machine.

Always use the auxiliary handle.

The workpiece must be fixed if it is not heavy enough to be steady. Never move the workpiece towards the rotating wheel by hand.

The flange nut must be securely tightened before the machine is started. If the tool is not securely tightened with the flange nut, it is possible that the tool will lose the required clamping force when it is decelerated.

#### OVERLOAD AND KICKBACK PROTECTION

The power tool has an overload and kickback safety function and stops if it is overloaded. Switch off the power tool and then switch the power tool back on again in order to continue to work.

#### SOFT START

Electronic soft start for save use prevents jerky run-up of the machine.

#### BRAKING SYSTEM

The run-on brake engages when the trigger is released, causing the tool to stop within seconds.

Make sure that the insertion tool comes to a complete stop before laying it down.

In comparison with tools without a run-on brake the run-on time will be highly reduced by braking.

#### ONE-KEY™

To learn more about the ONE-KEY functionality of this device, please refer to the Quick Start guide included with this product or go to <http://www.milwaukeetool.com/one-key>

To download the ONE-KEY app, visit the App Store or Google Play from your smart device.

Also, when the product experiences ESD, the Bluetooth communication will be disconnected. It needs to be reset manually to recover. We considered the results to be within our minimum acceptable performance level according to EN 55014-2 / EN 301 489-1 / EN 301 489-17.

#### CLEANING

The ventilation slots of the machine must be kept clear at all times.

#### MAINTENANCE

Use only Milwaukee accessories and Milwaukee spare parts. Should components need to be replaced which have not been described, please contact one of our Milwaukee service agents (see our list of guarantee/service addresses).

If needed, an exploded view of the tool can be ordered. Please state the Article No. as well as the machine type printed on the label and order the drawing at your local service agents or directly at: Techtronic Industries GmbH, Max-Eyth-Straße 10, 71364 Winnenden, Germany.

#### SYMBOLS



Please read the instructions carefully before starting the machine.



CAUTION! WARNING! DANGER!



Remove the battery pack before starting any work on the appliance.



Do not swallow the coin cell battery!



Do not use the guard for cut-off operations.



Do not use force.



Use force.



Always wear goggles when using the machine.



Wear ear protectors.



Wear a suitable dust protection mask.



Wear gloves!



Always operate with two hands.



Only for grinding.



Only for cutting work.



Pay attention to permissible disc thickness.



Accessory - Not included in standard equipment, available as an accessory.



Do not dispose electric tools, batteries/rechargeable batteries together with household waste material. Electric tools and batteries that have reached the end of their life must be collected separately and returned to an environmentally compatible recycling facility. Check with your local authority or retailer for recycling advice and collection point.

n

Rated speed

V

Voltage



Direct Current



European Conformity Mark



British Conformity Mark



Ukraine Conformity Mark



EurAsian Conformity Mark





**SYMBOLE**

	Bitte lesen Sie die Gebrauchsanweisung vor Inbetriebnahme sorgfältig durch.
	ACHTUNG! WARNUNG! GEFAHR!
	Vor allen Arbeiten am Gerät den Wechselakku herausnehmen.
	Knopfzellenbatterie nicht verschlucken!
	Den Schutz nicht für das Trennschleifen verwenden.
	Keine Kraft anwenden.
	Kraft anwenden.
	Beim Arbeiten mit der Maschine stets Schutzbrille tragen.
	Tragen Sie Gehörschutz.
	Geeignete Staubschutzmaske tragen.
	Schutzhandschuhe tragen!
	Das Werkzeug stets mit zwei Händen bedienen.
	Nur für Schleifarbeiten.
	Nur für Trennarbeiten.
	Auf zulässige Scheibendicke achten.
	Zubehör - Im Lieferumfang nicht enthalten, empfohlene Ergänzung aus dem Zubehörprogramm.

	Elektrogeräte, Batterien/Akkus dürfen nicht zusammen mit dem Hausmüll entsorgt werden. Elektrische Geräte und Akkus sind getrennt zu sammeln und zur umweltgerechten Entsorgung bei einem Verwertungsbetrieb abzugeben. Erkundigen Sie sich bei den örtlichen Behörden oder bei Ihrem Fachhändler nach Recyclinghöfen und Sammelstellen.
<b>n</b>	Nennzahl
<b>V</b>	Spannung
	Gleichstrom
	Europäisches Konformitätszeichen
	Britisches Konformitätszeichen
	Ukrainisches Konformitätszeichen
	Euroasiatisches Konformitätszeichen

**CARACTÉRISTIQUES TECHNIQUES** **M18 ONEFLAG230XPDB**

Type	Meuleuse d'Angle sans fil
Numéro de série	4835 68 01 XXXXXX MJJJJ
Tension accu interchangeable	18 V $\equiv$
Bande (bandes) de fréquence Bluetooth	2400 - 2483,5 MHz
Puissance à haute fréquence	2 dBm
Version Bluetooth	4.2 BT signal mode
Vitesse de rotation nominale	6600 min <sup>-1</sup>
Filetage de l'arbre	M14
D=Diamètre de meule max.	230 mm
d=Diamètre de perçage	22,2 mm
	b=Épaisseur disque polisseur max. 8 mm
	b=Épaisseur disque de coupe max. / min. 3 mm / 1,9 mm
	D=Diamètre du disque de ponçage max. 230 mm
	D=Diamètre brosse métallique max. 100 mm
Poids suivant EPTA-Procédure 01/2014 (Li-Ion 2,0 Ah ... 12,0 Ah)	4,2 ... 5,4 kg
Température ambiante conseillée pour le fonctionnement	-18 ... +50 °C
Batteries conseillées	M18B...; M18HB...
Chargeurs conseillés	M12-18...; M1418C6

**Informations sur le bruit:** Valeurs de mesure obtenues conformément à la EN 60745.  
 Les mesures réelles (des niveaux acoustiques de l'appareil sont :  
 Niveau de pression acoustique / Incertitude K 88,4 dB (A) / 3 dB (A)  
 Niveau d'intensité acoustique / Incertitude K 99,4 dB (A) / 3 dB (A)  
**Toujours porter une protection acoustique!**

**Informations sur les vibrations:** Valeurs totales des vibrations (somme vectorielle de trois sens) établies conformément à EN 60745.  
 Valeur d'émission vibratoire a<sub>n</sub> / Incertitude K  
 Meulage surfacique 5,5 m/s<sup>2</sup> / 1,5 m/s<sup>2</sup>  
 Polissage avec feuille abrasive 3,2 m/s<sup>2</sup> / 1,5 m/s<sup>2</sup>  
 Des valeurs de vibration différentes peuvent se présenter pendant d'autres applications, comme par exemple le tronçonnage ou le polissage avec la brosse à fils métalliques !

**AVERTISSEMENT!**  
 Le niveau de vibration et d'émissions sonores indiqué dans cette fiche de données a été mesuré en respect d'une méthode standard de test selon la norme EN 60745 et peut être utilisé pour comparer les outils entre eux. Il peut être utilisé pour évaluation préliminaire de l'exposition.  
 Le niveau de vibration et d'émissions sonores déclaré correspond à l'application principale de l'outil. Cependant, si l'outil est utilisé pour des applications différentes, avec différents accessoires ou est mal entretenu, les vibrations et les émissions sonores peuvent différer. Cela peut augmenter considérablement le niveau d'exposition au cours de la période de travail totale.  
 Une estimation du niveau d'exposition aux vibrations et au bruit devrait également tenir compte des temps d'arrêt de l'outil ou des périodes où il est en marche mais n'effectue pas réellement le travail. Cela peut réduire considérablement le niveau d'exposition au cours de la période de travail totale.  
 Identifier des mesures de sécurité supplémentaires pour protéger l'opérateur des effets des vibrations et/ou du bruit tels que : l'entretien de l'outil et des accessoires, le maintien au chaud des mains, l'organisation des processus de travail.

**AVERTISSEMENT!** Lisez toutes les consignes de sécurité et les instructions. Le non-respect des avertissements et instructions indiqués ci après peut entraîner un choc électrique, un incendie et/ou de graves blessures sur les personnes.  
**Bien garder tous les avertissements et instructions.**

**INDICATIONS DE SÉCURITÉ POUR POLISSEUSE D'ANGLE**  
**Avertissements communs pour le meulage, le ponçage au papier de verre, les travaux avec brosses métalliques le tronçonnage :**  
**a) Cet outil électrique est destiné à fonctionner comme meuleuse, ponceuse, brosse métallique, lustreuse ou outil à tronçonner. Lire toutes les mises en garde de sécurité, les instructions, les illustrations et les spécifications fournies avec cet outil électrique.** Le fait de ne pas suivre toutes les instructions données ci-dessous peut provoquer un choc électrique, un incendie et/ou une blessure grave.  
**b) Cet outil électrique ne convient pas au meulage à la polissage.** Les cas d'utilisation pour lesquels l'outil électrique n'est pas prévu peuvent présenter des mises en danger et être à l'origine de blessures.





## RISQUES RÉSIDUELS

Même en cas d'utilisation correcte, il n'est pas possible d'exclure tous les risques résiduels. Lors de l'utilisation, les risques suivants pourront être présents et l'utilisateur devra prêter une attention particulière en vue de les éviter :

- Blessures causées par les vibrations. Tenir le dispositif à l'aide de ses poignées et limiter les temps de travail et d'exposition.
- L'exposition au bruit peut causer des dommages auditifs. Porter une protection auditive et limiter la durée de l'exposition.
- Lésions oculaires causées par des particules de déchets. Toujours porter des lunettes de sécurité, de pantalon long lourd, des gants et des chaussures robustes.
- Inhalation de gaz toxiques.

## REMARQUE CONCERNANT LES ACCUS LI-ION

### Utilisation d'accus Li-Ion

Recharger les accus avant utilisation après une longue période de non utilisation.

Une température supérieure à 50°C amoindrit la capacité des accus. Éviter les expositions prolongées au soleil ou au chauffage.

Tenir propres les contacts des accus et des chargeurs.

Pour une durée de vie optimale, les accus doivent être chargés à fond après l'utilisation.

Pour une plus longue durée de vie, enlever les batteries du chargeur de batterie quand celles-ci seront chargées.

En cas d'entreposage de la batterie pour plus de 30 jours:

Entreposer la batterie à 27°C environ dans un endroit sec.

Entreposer la batterie avec une charge d'environ 30% - 50%.

Recharger la batterie tous les 6 mois.

### Protection des accus Li-Ion

En cas d'une surcharge de l'accu à cause d'une très haute consommation de courant, par exemple suite à des couples extrêmement élevés, un arrêt soudain ou un court-circuit, l'outil électrique vibre pendant 5 secondes, l'indicateur de charge clignote et l'outil électrique se déconnecte automatiquement.

Pour le ré-enclencher, relâcher le poussoir de l'interrupteur, puis enclencher à nouveau l'appareil. Sous des sollicitations extrêmes, l'accu s'échauffe trop fortement. Dans ce cas, tous les témoins de l'indicateur de charge clignotent jusqu'à ce que l'accu se soit refroidi. Il est possible de continuer à travailler dès que l'indicateur de charge s'est éteint.

### Transport de batteries lithium-ion

Les batteries lithium-ion sont soumises aux dispositions législatives concernant le transport de produits dangereux.

Le transport de ces batteries devra s'effectuer dans le respect des dispositions et des normes locales, nationales et internationales.

Les utilisateurs peuvent transporter ces batteries sans restrictions.

Le transport commercial de batteries lithium-ion est réglé par les dispositions concernant le transport de produits dangereux. La préparation au transport et le transport devront être effectués uniquement par du personnel formé de façon adéquate. Tout le procédé devra être géré d'une manière professionnelle.

Durant le transport de batteries il faut respecter les consignes suivantes :

S'assurer que les contacts soient protégés et isolés en vue d'éviter des courts-circuits.

S'assurer que le groupe de batteries ne puisse pas se déplacer à l'intérieur de son emballage. Des batteries endommagées ou des batteries perdant du liquide ne devront pas être transportées. Pour tout renseignement complémentaire veuillez vous adresser à votre transporteur professionnel.

## CONSIGNES DE TRAVAIL

Sur les machines prévues pour les outils abrasifs à orifice fileté, vérifiez que la profondeur du filetage est suffisante pour la longueur de la broche.

Toujours utiliser et conserver les meules polisseuses et à couper conformément aux indications du fabricant.

Ne jamais travailler sans capot protecteur pour des travaux de tronçonnage et de dégrossissage.

Les disques polisseurs à moyeu déporté devront être montés d'une façon telle que la surface de polissage ne dépasse pas le niveau du protecteur.

L'écrou du flasque doit être serré avant de mettre en marche la machine.

Utiliser toujours la poignée supplémentaire.

La pièce à travailler doit être fortement serrée lorsque son propre poids ne suffit pas à la maintenir. Ne jamais guider la pièce à travailler à la main vers la meule.

L'écrou bridé doit être bien serré avant la mise en marche de la machine. Si l'outil à insertion avec écrou bridé n'est pas bien serré, on risque que l'outil à insertion perde la force nécessaire de serrage lors du freinage.

## PROTECTION SURCHARGE ET RETOUR

Le dispositif est pourvu de protection contre la surcharge, avec arrêt automatique, et contre les contrecoups. Éteignez l'outil électrique puis rallumez-le pour continuer à travailler.

## DÉMARRAGE EN DOUCEUR

Démarrage électronique en douceur garantissant un maniement fiable tout en empêchant un démarrage brusque lors de la mise en marche de la machine.

## SYSTÈME DE FREINAGE

Le frein de rodage s'enclenche lorsque l'interrupteur marche-arrêt est relâché, ce qui provoque l'arrêt de l'outil en quelques secondes.

Veiller à ce que l'outil d'insertion s'arrête complètement avant de le poser.

Par rapport aux outils sans frein de rodage, le temps de rodage est fortement réduit par le freinage.

## ONE-KEY™

Pour en savoir plus sur la fonctionnalité ONE-KEY de cet appareil, lisez les instructions rapides ci-jointes ou rendez-nous visite sur Internet sur <http://www.milwaukeeetool.com/one-key>

Vous pouvez télécharger l'appli ONE-KEY sur votre smartphone via l'App Store ou Google Play.

Les perturbations causées par les décharges électrostatiques interrompent également la communication Bluetooth. Dans ce cas la connexion Bluetooth devra être rétablie manuellement. Les résultats d'essai répondent à nos exigences min. suivant EN 55014-2 / EN 301 489-1 / EN 301 489-17.

## LAVAGE

Tenir toujours propres les orifices de ventilation de la machine.

## ENTRETIEN

Utiliser uniquement les accessoires Milwaukee et les pièces détachées Milwaukee. Faire remplacer les composants dont le remplacement n'a pas été décrit, par un des centres de service après-vente Milwaukee (observer la brochure avec les adresses de garantie et de service après-vente).

Si besoin est, une vue éclatée de l'appareil peut être fournie. S'adresser, en indiquant bien le numéro porté sur la plaque signalétique, à votre station de service après-vente (voir liste jointe) ou directement à Techtronic Industries GmbH, Max-Eyth-Straße 10, 71364 Winnenden, Germany.

## SYMBÔLES



Veillez lire avec soin le mode d'emploi avant la mise en service



ATTENTION! AVERTISSEMENT! DANGER!



Avant tous travaux sur l'appareil retirer l'accu interchangeable.



Ne pas ingérer des batteries bouton.



Ne pas utiliser le protecteur pour les opérations de coupe.



Ne pas appliquer de la force.



Appliquer la force.



Toujours porter des lunettes protectrices en travaillant avec la machine.



Portez une protection acoustique.



Porter un masque de protection approprié contre les poussières.



Porter des gants de protection!



Toujours opérer à deux mains.



Seulement pour des travaux de polissage.



Seulement pour des travaux de coupe.



Prendre garde à l'épaisseur de disque autorisée.



Accessoires - Ces pièces ne font pas partie de la livraison. Il s'agit là de compléments recommandés pour votre machine et énumérés dans le catalogue des accessoires.



Les dispositifs électriques, les batteries et les batteries rechargeables ne sont pas à éliminer dans les déchets ménagers. Les dispositifs électriques et les batteries sont à collecter séparément et à remettre à un centre de recyclage en vue de leur élimination dans le respect de l'environnement. S'adresser aux autorités locales ou au détaillant spécialisé en vue de connaître l'emplacement des centres de recyclage et des points de collecte.

**n**

Vitesse de rotation nominale

**v**

Tension



Courant continu



Marque de conformité européenne



Marque de conformité britannique

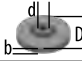
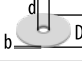




Marque de conformité ukrainienne

001



Marque de conformité d'Eurasie

DATI TECNICI	M18 ONEFLAG230XPDB
Tipo di costruzione	Smerigliatrice a batteria
Numero di serie	4835 68 01 XXXXXX MJJJJ
Tensione batteria	18 V =
Banda (bande) di frequenza Bluetooth	2400 - 2483,5 MHz
Potenza ad alta frequenza	2 dBm
Versione Bluetooth	4.2 BT signal mode
Numero giri nominale	6600 min <sup>-1</sup>
Passo attacco codolo	M14
D=Diametro disco abrasivo max.	230 mm
d=Diametro Foro	22,2 mm
 b=Spessore disco levigatore max.	8 mm
 b=Spessore disco di taglio max. / min.	3 mm / 1,9 mm
 D=Diametro del disco abrasivo max.	230 mm
 D=Diametro spazzola metallica max.	100 mm

Peso secondo la procedura EPTA 01/2014 (Li-Ion 2,0 Ah ... 12,0 Ah)	4,2 ... 5,4 kg
Temperatura ambiente consigliata per il funzionamento	-18 ... +50 °C
Batterie consigliate	M18B...; M18HB...
Caricatori consigliati	M12-18...; M1418C6

**Informazioni sulla rumorosità:** Valori misurati conformemente alla norma EN 60745.

La misurazione A del livello di pressione acustica dell'utensile è di solito di:

Livello di rumorosità / Incertezza della misura K	88,4 dB (A) / 3 dB (A)
Potenza della rumorosità / Incertezza della misura K	99,4 dB (A) / 3 dB (A)

**Utilizzare le protezioni per l'udito!**

**Informazioni sulle vibrazioni:** Valori totali delle oscillazioni (somma di vettori in tre direzionmisurati conformemente alla norma EN 60745

Valore di emissione dell'oscillazione a <sub>n</sub> / Incertezza della misura K	
Smerigliatura di superfici	5,5 m/s <sup>2</sup> / 1,5 m/s <sup>2</sup>
Levigatura con foglio abrasivo	3,2 m/s <sup>2</sup> / 1,5 m/s <sup>2</sup>

Per altre applicazioni, come ad esempio troncatura alla mola o la molatura con spazzola d'acciaio, possono essere prodotti altri livelli di vibrazione!

## AVVERTENZA!

Il/i valore/i di emissione acustica riportato/i in questa scheda informativa sono stati misurati conformemente a un metodo di prova standard sulla base della norma EN 60745 e possono essere utilizzati per confrontare gli utensili tra loro. Può/possono essere utilizzato/i anche per una valutazione preliminare dell'esposizione.

Il livello di vibrazione ed emissione acustica dichiarato rappresenta le applicazioni principali dell'utensile. Tuttavia, se l'utensile è utilizzato per applicazioni diverse, con accessori differenti o una manutenzione non adeguata, la vibrazione e l'emissione acustica potrebbero variare. Ciò può aumentare significativamente il livello di esposizione durante l'intera durata del lavoro.

Una stima del livello di esposizione alle vibrazioni e al rumore dovrebbe tenere conto anche dei periodi in cui l'utensile è spento o è in funzione ma non sta lavorando. Ciò può ridurre significativamente il livello di esposizione durante l'intera durata del lavoro.

Identificare le misure di sicurezza supplementari per proteggere l'operatore dagli effetti delle vibrazioni e/o del rumore, ad esempio eseguendo la manutenzione dell'utensile e degli accessori, mantenendo le mani calde e organizzando gli schemi di lavoro.

**AVVERTENZA!** E' necessario leggere tutte le indicazioni di sicurezza e le istruzioni. In caso di mancato rispetto delle avvertenze di pericolo e delle istruzioni operative si potrà creare il pericolo di scosse elettriche, incendi e/o incidenti gravi.

**Conservare tutte le avvertenze di pericolo e le istruzioni operative per ogni esigenza futura.**

## INDICAZIONI DI SICUREZZA PER LA SMERIGLIATRICE ANGOLARE

**Istruzioni di sicurezza generali per lavori di levigatura, levigatura con carta vetrata, lavori con spazzole metalliche, troncatura:**

**a) Questo elettroutensile è previsto per essere utilizzato come levigatrice, levigatrice per carta a vetro, spazzola metallica e troncatrice. Attenersi a tutte le avvertenze di pericolo, istruzioni, rappresentazioni e dati che si ricevono insieme all' elettroutensile.**

In caso di mancata osservanza delle seguenti istruzioni vi è il pericolo di provocare una scossa elettrica, di sviluppare incendi e/o di provocare seri incidenti.

**b) Questo attrezzo elettrico non è idoneo per la lucidatura.** Qualsiasi utilizzo non previsto con il presente attrezzo elettrico può causare pericolo e lesioni.

**c) Non utilizzare nessun accessorio che la casa costruttrice non abbia esplicitamente previsto e raccomandato per questo elettroutensile.** Il semplice fatto che un accessorio possa essere fissato al Vostro elettroutensile non è una garanzia per un impiego sicuro.

**d) Il numero di giri ammesso dell'accessorio impiegato deve essere almeno tanto alto quanto il numero massimo di giri riportato sull'elettroutensile.** Un accessorio che gira più rapidamente di quanto consentito può rompersi in vari pezzi e venir lanciato intorno.

**e) Il diametro esterno e lo spessore dell'accessorio montato devono corrispondere ai dati delle dimensioni dell'elettroutensile in dotazione.** In caso di utilizzo di portautensili e di accessori di dimensioni sbagliate non sarà possibile schermanli oppure controllarli a sufficienza.

**f) Le filettature degli accessori devono coincidere con la filettatura del mandrino portamola. Sugli accessori con fissaggio a flangia il foro per il mandrino di montaggio deve coincidere con il diametro della flangia di fissaggio.** Accessori non adatti al mandrino di fissaggio del dispositivo si muoveranno in maniera eccentrica, vibreranno eccessivamente e potranno comportare la perdita del controllo sull'utensile.

**g) Non utilizzare mai portautensili od accessori danneggiati.** Prima di ogni utilizzo controllare i portautensili e gli accessori ed accertarsi che sui dischi abrasivi non vi siano scheggiature o crepature, che il platello non sia soggetto ad incrinature, crepature o forte usura e che le spazzole metalliche non abbiano fili metallici allentati oppure rotti. Se l'elettroutensile oppure l'accessorio impiegato dovesse sfuggire dalla mano e cadere, accertarsi che questo non abbia subito nessun danno oppure utilizzare un accessorio intatto. Una volta controllato e montato il portautensili o accessorio, far funzionare l'elettroutensile per la durata di un minuto con il numero massimo di giri avendo cura di tenersi lontani e di impedire anche ad altre persone presenti di avvicinarsi al portautensili o accessorio in rotazione. Nella maggior parte dei casi i portautensili o accessori danneggiati si rompono nel corso di questo periodo di prova.

**h) Indossare abbigliamento di protezione. A seconda dell'applicazione in corso utilizzare una visiera completa, maschera di protezione per gli occhi oppure occhiali di sicurezza. Per quanto necessario, portare maschere per polveri, protezione acustica, guanti di protezione oppure un grembiule speciale in grado di proteggervi da piccole particelle di levigatura o di materiale.** Gli occhi dovrebbero essere protetti da corpi estranei espulsi in aria nel corso di diverse applicazioni. La maschera antipolvere e la maschera respiratoria devono essere in grado di filtrare la polvere provocata durante l'applicazione. Esponendosi per lungo tempo ad un rumore troppo forte vi è il pericolo di perdere l'udito.

**i) Avere cura di evitare che altre persone possano avvicinarsi alla zona in cui si sta lavorando. Ogni persona che entra nella zona di operazione deve indossare un abbigliamento protettivo personale.** Frammenti del pezzo in lavorazione oppure utensili rotti possono volar via oppure provocare incidenti anche al di fuori della zona diretta di lavoro.

**j) Impugnare l'apparecchio sulle superfici di tenuta isolate mentre si eseguono lavori durante i quali l'utensile da taglio potrebbe entrare in contatto con cavi di corrente.** L'eventuale contatto dell'utensile da taglio con un cavo sotto tensione potrebbe mettere sotto tensione le parti metalliche dell'apparecchio e provocare una folgorazione.

**k) Non depositare mai l'utensile elettrico, prima che questo non si sia fermato completamente.** L'utensile in rotazione può entrare in contatto con la superficie di appoggio facendovi perdere il controllo sulla macchina pneumatica.

**l) Mai trasportare l'elettroutensile mentre questo dovesse essere ancora in funzione.** Attraverso un contatto casuale l'utensile in rotazione potrebbe fare presa sugli indumenti oppure sui capelli dell'operatore e potrebbe arrivare a ferire seriamente il corpo dell'operatore.

**m) Pulire regolarmente le feritoie di ventilazione dell'elettroutensile in dotazione.** Il ventilatore del motore attira polvere nella carcassa ed una forte raccolta di polvere di metallo può provocare pericoli di origine elettrica.

**n) Non utilizzare mai l'elettroutensile nelle vicinanze di materiali infiammabili.** Le scintille possono far prendere fuoco questi materiali.

**o) Non utilizzare mai accessori che richiedano refrigeranti liquidi.** L'utilizzo di acqua o di altri liquidi refrigeranti può provocare una scossa di corrente elettrica.

## Contraccolpo e relative avvertenze di pericolo

Un contraccolpo è l'improvvisa reazione in seguito ad agganciamento oppure blocco di accessorio in rotazione come può essere un disco abrasivo, platello, spazzola metallica ecc. Agganciandosi oppure bloccandosi il portautensili o accessorio provoca un arresto improvviso della rotazione dello stesso. In questo caso l'operatore non è più in grado di controllare l'elettroutensile ed al punto di blocco si provoca un rimbalzo dello stesso che avviene nella direzione opposta a quella della rotazione del portautensili o dell'accessorio.

Se p. es. un disco abrasivo resta agganciato o bloccato nel pezzo in lavorazione, il bordo del disco abrasivo che si abbassa nel pezzo in lavorazione può rimanere impigliato provocando in questo modo una rottura oppure un contraccolpo del disco abrasivo. Il disco abrasivo si avvicina o si allontana dall'operatore a seconda della direzione di rotazione che ha nel momento in cui si blocca. In tali situazioni è possibile che le mole abrasive possano anche rompersi.

Un contraccolpo è la conseguenza di un utilizzo non appropriato oppure non corretto dell'elettroutensile. Esso può essere evitato soltanto prendendo misure adatte di sicurezza come dalla descrizione che segue.

**a) Tenere sempre ben saldo l'elettroutensile e portare il proprio corpo e le proprie braccia in una posizione che Vi permetta di compensare le forze di contraccolpo. Se disponibile, utilizzare sempre l'impugnatura supplementare in modo da poter avere sempre il maggior controllo possibile su forze di contraccolpi oppure momenti di reazione che si sviluppano durante la fase in cui la macchina raggiunge il regime di pieno carico.** Prendendo appropriate misure di precauzione l'operatore può essere in grado di tenere sotto controllo le forze di contraccolpo e quelle di reazione a scatti.

**b) Mai avvicinare la propria mano alla zona degli utensili in rotazione.** L'accessorio potrebbe rimbalzare sulla vostra mano.

**c) Evitare di avvicinarsi con il proprio corpo alla zona in cui l'elettroutensile viene mosso in caso di un contraccolpo.** Un contraccolpo provoca uno spostamento improvviso dell'elettroutensile che si sviluppa nella direzione opposta a quella della rotazione della mola abrasiva al punto di blocco.

**d) Operare con particolare attenzione in prossimità di spigoli, spigoli taglienti ecc.. Avere cura di impedire che portautensili o accessori possano rimbalzare dal pezzo in lavorazione oppure possano rimanervi bloccati.** L'utensile in rotazione ha la tendenza a rimanere bloccato in angoli, spigoli taglienti oppure in caso di rimbalzo. Ciò provoca una perdita del controllo oppure un contraccolpo.

**e) Non utilizzare una lama a catena oppure dentata.** Utensili di questo tipo causano spesso contraccolpi oppure comportano la perdita del controllo sull'utensile elettrico.



**ONE-KEY™**

Per saperne di più sulla funzionalità ONE-KEY che permette di comandare questo dispositivo con un solo comando, consultare la guida rapida inclusa in questo prodotto o andare su <http://www.milwaukee.com/one-key>

È possibile scaricare sullo smartphone l'app ONE-KEY dall'App Store o da Google Play.

I disturbi causati da scariche elettrostatiche interrompono anche la comunicazione Bluetooth. In questo caso il collegamento Bluetooth dovrà essere ripristinato manualmente. I risultati di collaudo corrispondono ai nostri requisiti minimi secondo EN 55014-2 / EN 301 489-1 / EN 301 489-17.

**LAVAGGIO E PULIZIA**

Tener sempre ben pulite le fessure di ventilazione dell'apparecchio.

**MANUTENZIONE**

Usare solo accessori Milwaukee e pezzi di ricambio Milwaukee. Gruppi costruttivi la cui sostituzione non è stata descritta, devono essere fatti cambiare da un punto di servizio di assistenza tecnica al cliente Milwaukee (vedi depliant garanzia/indirizzi assistenza tecnica ai clienti).

In caso di mancanza del disegno esploso, può essere richiesto al seguente indirizzo: Techtronic Industries GmbH, Max-Eyth-Straße 10, 71364 Winnenden, Germany.

**SIMBOLI**

	Leggere attentamente le istruzioni per l'uso prima di mettere in funzione l'elettrostrumento.
	ATTENZIONE! AVVERTENZA! PERICOLO!
	Prima di iniziare togliere la batteria dall'apparecchio.
	Non ingerire batterie a bottone!
	Non usare la protezione per operazioni di taglio.
	Non applicare forza.
	Applicare la forza.
	Durante l'uso dell'apparecchio utilizzare sempre gli occhiali di protezione.
	Indossare protezioni acustiche adeguate.
	Portare un'adeguata mascherina protettiva.
	Indossare guanti protettivi!

	Usare l'utensile sempre con due mani.
	Solo per lavori di smerigliatura.
	Solo per lavori di taglio.
	Prestare attenzione allo spessore consentito del disco.
	Accessorio - Non incluso nella dotazione standard, disponibile a parte come accessorio.
	I dispositivi elettrici, le batterie e le batterie ricaricabili non devono essere smaltiti con i rifiuti domestici. I dispositivi elettrici e le batterie devono essere raccolti separatamente e devono essere conferiti ad un centro di riciclaggio per lo smaltimento rispettoso dell'ambiente. Chiedere alle autorità locali o al rivenditore specializzato dove si trovano i centri di riciclaggio e i punti di raccolta.
<b>n</b>	Numero giri nominale
<b>v</b>	Voltaggio
	Corrente continua
<b>CE</b>	Marchio di conformità europeo
<b>UK CA</b>	Marchio di conformità britannico
	Marchio di conformità ucraino
<b>001</b>	
<b>EAC</b>	Marchio di conformità euroasiatico

**DATOS TÉCNICOS**

<b>M18 ONEFLAG230XPDB</b>	
Tipo de construcción	Amoladora Angular a Batería
Número de producción	4835 68 01 XXXXXX MJJJJ
Voltaje de batería	18 V $\approx$
Banda(s) de frecuencia Bluetooth	2400 - 2483,5 MHz
Potencia de alta frecuencia	2 dBm
Versión Bluetooth	4.2 BT signal mode
Revoluciones nominales	6600 min <sup>-1</sup>
Rosca de eje de trabajo	M14
D=Diám. disco de amolado máx.	230 mm
d=∅ del taladro	22,2 mm

	b=Espesor del disco abrasivo máx.	8 mm
	b=espesor de la muela de tronzar máx. / mín.	3 mm / 1,9 mm
	D=Diámetro del disco de lijado máx.	230 mm
	D=Diámetro de los cepillos metálicos máx.	100 mm

Peso de acuerdo con el procedimiento EPTA 01/2014 (Li-Ion 2,0 Ah ... 12,0 Ah)	4,2 ... 5,4 kg
Temperatura ambiente recomendada para la operación	-18 ... +50 °C
Juegos de baterías recomendados	M18B...; M18HB...
Cargadores recomendados	M12-18...; M1418C6

**Información sobre ruidos:** Determinación de los valores de medición según norma EN 60745. El nivel de ruido típico del aparato determinado con un filtro A corresponde a:

Presión acústica / Tolerancia K	88,4 dB (A) / 3 dB (A)
Resonancia acústica / Tolerancia K	99,4 dB (A) / 3 dB (A)

**Usar protectores auditivos!**

**Informaciones sobre vibraciones:** Nivel total de vibraciones (suma vectorial de tres direcciones) determinado según EN 60745.

Valor de vibraciones generadas a <sub>n</sub> / Tolerancia K	5,5 m/s <sup>2</sup> / 1,5 m/s <sup>2</sup> 3,2 m/s <sup>2</sup> / 1,5 m/s <sup>2</sup>
--	--

En el caso de otras aplicaciones, como p. ej. el tronzamiento con la muela o el esmerilado con cepillo de alambre de acero pueden resultar otros valores de vibración.

**⚠ ADVERTENCIA!**

El nivel de emisión de ruido y vibración indicado en esta hoja informativa se ha medido de acuerdo con una prueba estandarizada que figura en EN 60745 y se puede usar para comparar una herramienta con otra. Puede ser empleado para una evaluación preliminar de la exposición.

El nivel declarado emisión de vibración y ruido representa las principales aplicaciones de la herramienta. Sin embargo, si la herramienta se utiliza para diferentes aplicaciones, con diferentes accesorios o con un mantenimiento deficiente, la emisión de ruido y vibración puede diferir. Esto puede aumentar significativamente el nivel de exposición durante el periodo total de trabajo.

También se debe tener en cuenta una estimación del nivel de exposición a la vibración y el ruido cuando la herramienta está apagada o cuando está funcionando, pero no está haciendo su trabajo. Esto puede reducir significativamente el nivel de exposición durante el periodo total de trabajo.

Identifique medidas de seguridad adicionales para proteger al operador de los efectos de la vibración o el ruido, como realizar mantenimiento de la herramienta y los accesorios, mantener las manos calientes y organizar las pautas de trabajo.

**⚠ ADVERTENCIA!** Rogamos leer las indicaciones de seguridad y las instrucciones. En caso de no atenerse a las advertencias de peligro e instrucciones siguientes, ello puede ocasionar una descarga eléctrica, un incendio y/o lesión grave.

**Guardar todas las advertencias de peligro e instrucciones para futuras consultas.**

**INSTRUCCIONES DE SEGURIDAD PARA LA AMOLADORA DE ÁNGULO**

**Advertencias de peligro generales al realizar trabajos de amolado, lijado, con cepillos de alambre, tronzado:**

**a) Esta herramienta eléctrica ha sido concebida para amolar, lijar, trabajar con cepillos de alambre y tronzar. Observe todas las advertencias de peligro, instrucciones, ilustraciones y especificaciones técnicas que se suministran con la herramienta eléctrica.**



## PELIGROS RESIDUALES

Incluso en caso de un uso correcto, no es posible excluir por completo la existencia de riesgos residuales. Durante el uso de la máquina se pueden producir los siguientes riesgos a tener en cuenta especialmente por el operador de la misma.

- Lesiones provocadas por efecto de la vibración. Sujete el dispositivo utilizando las empuñaduras previstas para ello y limite el tiempo de trabajo y de exposición a riesgos.
- La contaminación acústica puede provocar lesiones auditivas. Lleve una protección auditiva y limite el tiempo de exposición a riesgos.
- Lesiones oculares producidas por partículas de suciedad. Lleve siempre gafas protectoras, pantalones resistentes y largos y calzado resistente.
- Inhalación de polvos tóxicos.

## INDICACIONES PARA BATERÍAS DE IONES DE LITIO

### Uso de baterías de iones de litio

Las baterías no utilizadas durante cierto tiempo deben ser recargadas antes de usar.

Las temperaturas superiores a 50°C reducen el rendimiento de la batería. Evite una exposición excesiva a fuentes de calor o al sol (riesgo de sobrecalentamiento).

Los puntos de contacto de los cargadores y las baterías se deben mantener limpios.

Para un tiempo óptimo de vida, deberán cargarse las baterías completamente después de su uso.

Para garantizar la máxima capacidad y vida útil, las baterías recargables se deberían retirar del cargador una vez finalizada la carga.

En caso de almacenar la batería recargable más de 30 días: Almacenar la batería recargable en un lugar seco a una temperatura de aproximadamente 27°C.  
Almacenar la batería recargable con un estado de carga del 30% y 50% aproximadamente.  
Recargar la batería cada 6 meses.

### Protección de sobrecarga de baterías en baterías de iones de litio

En caso de sobrecarga de la batería a causa de un consumo de corriente demasiado elevado, por ejemplo, en momentos de torsión extremadamente altos, de una parada o cortocircuito repentinos; el aparato eléctrico vibra durante 5 segundos, el indicador de carga parpadea y el aparato eléctrico se desconecta automáticamente.

Para conectarlo de nuevo, soltar el botón de encendido y después conectarlo otra vez. Bajo cargas extremas la batería se calienta demasiado. En este caso, todas las luces del indicador de carga parpadean hasta que la batería se enfría. Cuando se apaga el indicador de carga se puede trabajar de nuevo.

### Transporte de baterías de iones de litio

Las baterías de iones de litio caen bajo las disposiciones legales relativas al transporte de mercancías peligrosas.

El transporte de estas baterías recargables debe llevarse a cabo, observando las normas y disposiciones locales, nacionales e internacionales.

Los consumidores pueden transportar estas baterías recargables sin el menor reparo en la calle.

El transporte comercial de baterías recargables de iones de litio por empresas de transportes está sometido a las disposiciones del transporte de mercancías peligrosas. Las preparaciones para el envío y el transporte deben ser llevados a cabo exclusivamente por personas instruidas adecuadamente. El proceso completo debe ser supervisado por personal competente.

Los siguientes puntos se deben observar para el transporte de las baterías recargables:

Se debe asegurar que los contactos estén protegidos y aislados para evitar que se produzcan cortocircuitos.

Preste atención a que el conjunto de baterías recargables no se pueda desplazar dentro del envase. Las baterías recargables deterioradas o derramadas no se deben transportar. Rogamos que para cualquier información adicional se dirija a su empresa de transportes.

## INDICACIONES PARA EL TRABAJO

En las herramientas que llevan una muela con agujero roscado, cerciórese de que la rosca en la muela es lo suficientemente larga para aceptar la longitud del vástago.

Utilice y guarde siempre los discos de amolar y las muelas de tronzar según las indicaciones del fabricante.

Utilice siempre la cubierta de protección en trabajos de desbaste y separación.

Discos lijadores con centro rebajado deberán montarse de tal forma que su superficie abrasiva no sobresalga la superficie del borde de la cubierta protectora.

La tuerca de apriete se debe asegurar antes de comenzar a trabajar con la máquina.

Emplear siempre el asidero adicional.

La pieza de trabajo debe fijarse adecuadamente, a no ser que se mantenga bien fija por su propio peso. Jamás mueva la pieza de trabajo con la mano contra el disco.

La tuerca de brida debe estar apretada firmemente antes de la puesta en marcha de la máquina. En caso de que el útil no se apriete firmemente con la tuerca de brida, existe la posibilidad de que el útil pierda la fuerza de apriete necesaria durante el frenado.

## PROTECCIÓN CONTRA SOBRECARGA Y GOLPE DE RETROCESO

El equipo dispone de una función protectora contra overload y anti-kickback y se detiene en caso de la correspondiente sobrecarga. Desconectar la herramienta eléctrica y luego volver a encenderla para seguir trabajando.

## ARRANQUE SUAVE

Arranque suave electrónico, para una segura manejabilidad, evita un brusco retroceso al conectar la máquina.

## SISTEMA DE FRENADO

El freno de inercia se activa cuando se suelta el gatillo, lo que hace que la herramienta se detenga en segundos.

Asegúrese de que la herramienta de inserción se detenga por completo antes de dejarla.

En comparación con las herramientas sin freno de inercia, el tiempo de inercia se reducirá en gran medida mediante el frenado.

## ONE-KEY™

Para obtener más información sobre la funcionalidad ONE-KEY de este dispositivo, por favor, consulte la Guía Rápida incluida junto con este producto o diríjase a <http://www.milwaukeetool.com/one-key>

Puede descargar en su teléfono móvil la aplicación ONE-KEY en la App Store o en Google Play.

Las incidencias producidas por descargas electrostáticas también pueden provocar la interrupción de la comunicación de Bluetooth. En este caso, es necesario volver a restaurar manualmente la conexión de Bluetooth. Los resultados de las pruebas cumplen con los requisitos mínimos conforme a EN 55014-2 / EN 301 489-1 / EN 301 489-17.

## LIMPIEZA

Las ranuras de ventilación de la máquina deben estar despejadas en todo momento.

## MANTENIMIENTO

Utilice solamente accesorios y repuestos Milwaukee. En caso de necesitar reemplazar componentes no descritos, contacte con cualquiera de nuestras estaciones de servicio Milwaukee (consultar lista de servicio técnicos)

En caso necesario, puede solicitar un despiece de la herramienta. Por favor indique el número de impreso que hay en la etiqueta y pida el despiece a la siguiente dirección:  
Techtronic Industries GmbH, Max-Eyth-Straße 10,  
71364 Winnenden, Germany.

## SIMBOLOS



Lea las instrucciones detenidamente antes de conectar la herramienta



¡ATENCIÓN! ¡ADVERTENCIA! ¡PELIGRO!



Retire la batería antes de comenzar cualquier trabajo el aparato.



¡No ingiera las pilas de botón!



No utilice la guarda para operaciones de corte.



No aplique fuerza.



Aplique fuerza.



Para trabajar con la máquina, utilizar siempre gafas de protección.



¡Utilice protección auditiva!



Utilice por ello una máscara protectora contra polvo.



Usar guantes protectores



Utilice siempre la herramienta con dos manos.



Únicamente para trabajos de pulido.



Únicamente para trabajos de separación.



Preste atención al grosor permitido del disco.



Accesorio - No incluido en el equipo estándar, disponible en la gama de accesorios.



Los electrodomésticos y las baterías/acumuladores no se deben eliminar junto con la basura doméstica. Los aparatos eléctricos y los acumuladores se deben recoger por separado y se deben entregar a una empresa de reciclaje para una eliminación respetuosa con el medio ambiente. Infórmese en las autoridades locales o en su tienda especializada sobre los centros de reciclaje y puntos de recogida.

n

Revoluciones nominales

v

Tensión



Corriente continua



Marcado de conformidad europeo



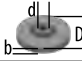
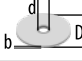


Marcado de conformidad británico



Marcado de conformidad ucraniano



Marcado de conformidad euroasiático

CARACTERÍSTICAS TÉCNICAS		M18 ONEFLAG230XPDB	
Tipo	Rebarbadora Angular a Bateria		
Número de produção	4835 68 01 XXXXXX MJJJJ		
Tensão do acumulador	18 V =		
Banda de frequência Bluetooth (bandas de frequência)	2400 - 2483,5 MHz		
Potência de alta frequência	2 dBm		
Versão Bluetooth	4.2 BT signal mode		
Número de rotações nominal	6600 min <sup>-1</sup>		
Rosca do veio de trabalho	M14		
D=Diâmetro do disco no máx.	230 mm		
d=Ø do orifício	22,2 mm		
	b=Espessura do rebolo de lixa no máx.	8 mm	
	b=Espessura do rebolo separador no máx. / no mín.	3 mm / 1,9 mm	
	D=Diâmetro do disco abrasivo no máx.	230 mm	
	D=Diâmetro da superfície da escova tipo copo no máx.	100 mm	

Peso nos termos do procedimento-EPTA 01/2014 (Li-Ion 2,0 Ah ... 12,0 Ah)	4,2 ... 5,4 kg
Temperatura ambiente recomendada para a operação	-18 ... +50 °C
Conjuntos de baterias recomendados	M18B...; M18HB...
Carregadores recomendados	M12-18...; M1418C6

**Informações sobre ruído:** Valores de medida de acordo com EN 60745.

O nível de ruído avaliado A do aparelho é tipicamente:

Nível da pressão de ruído / Incerteza K	88,4 dB (A) / 3 dB (A)
Nível da potência de ruído / Incerteza K	99,4 dB (A) / 3 dB (A)

**Use protectores auriculares!**

**Informações sobre vibração:** Valores totais de vibração (soma dos vectores das três direcções) determinadas conforme EN 60745.

Valor de emissão de vibração  $a_h$  / Incerteza K

Lixamento superficial	5,5 m/s <sup>2</sup> / 1,5 m/s <sup>2</sup>
Rectificar com disco abrasivo	3,2 m/s <sup>2</sup> / 1,5 m/s <sup>2</sup>

Em caso de outras aplicações, como p.ex. separar por rectificação ou lixar com escova de arame, podem resultar outros valores de vibração!

## ATENÇÃO!

O nível de emissão de ruído e vibração fornecido nesta ficha de informações foi medido de acordo com um teste padronizado que se encontra na norma EN 60745, podendo ser utilizado para fazer comparações entre ferramentas. Pode ser utilizado para fazer uma avaliação preliminar da exposição.

O nível de emissão de ruído e vibração declarado representa as principais aplicações da ferramenta. No entanto, se a ferramenta for utilizada para aplicações diferentes ou com acessórios distintos, ou se a sua manutenção for deficiente, a emissão de ruídos e vibrações poderá diferir. Isso poderá aumentar significativamente o nível de exposição ao longo do período de trabalho total.

A estimativa do nível de exposição à vibração e ruído também deve ter em conta os tempos em que a ferramenta, quer desligada quer em funcionamento, não está realmente a trabalhar. Isso poderá reduzir significativamente o nível de exposição ao longo do período de trabalho total.

Identifique medidas de segurança adicionais para proteger o operador contra os efeitos da vibração e/ou ruído, tais como: fazer a manutenção da ferramenta e dos acessórios, manter as mãos quentes, organizar padrões de trabalho.

**ATENÇÃO!** Leia todas as instruções de segurança e todas as instruções. O desrespeito das advertências e instruções apresentadas abaixo pode causar choque eléctrico, incêndio e/ou graves lesões.

Guarde bem todas as advertências e instruções para futura referência.

## INSTRUÇÕES DE SEGURANÇA PARA AFIADORAS ANGULARES

**Indicações de aviso gerais para lixar, lixar com lixa de papel, trabalhar com escovas de arame, polir e separar por rectificação:**

a) Esta ferramenta eléctrica pode ser utilizada como lixadeira, lixadeira com lixa de papel e máquina para separar por rectificação. Observar todas as indicações de aviso, instruções, apresentações e dados fornecidos com a ferramenta eléctrica. O desrespeito das seguintes instruções pode levar a um choque eléctrico, incêndio e/ou graves lesões.

b) Esta ferramenta eléctrica não é adequada para para polir. Utilizações, para as quais a máquina não tenha sido prevista, podem causar perigos e ferimentos.

c) Não utilizar acessórios, que não foram especialmente previstos e recomendados pelo fabricante para serem utilizados com esta ferramenta eléctrica. O facto de poder fixar o acessório a esta ferramenta eléctrica, não garante uma aplicação segura.

d) As rotações admissíveis da ferramenta de trabalho devem ser pelo menos tão elevadas como as rotações máximas indicadas na ferramenta eléctrica. Os acessórios que rodam mais rapidamente do que o permitido podem partir-se e ser projectados.

e) O diâmetro exterior e a espessura da ferramenta de trabalho devem corresponder às indicações de medida da sua ferramenta eléctrica. Ferramentas de trabalho incorrectamente medidas podem não ser suficientemente blindadas nem controladas.

f) As roscas das peças de acessório devem corresponder com a rosca do fuso de esmerilhamento. Nas peças de acessório fixadas mediante flange, o furo para o mandrel na peça de acessório deve corresponder com o diâmetro do flange de localização. Peças de acessório que não caibam no mandril de montagem do aparelho, operam de forma desequilibrada, vibram excessivamente e podem levar à perda do controlo sobre a ferramenta.

g) Não utilizar ferramentas de trabalho danificadas. Antes de cada utilização deverá controlar as ferramentas de trabalho, e verificar se por exemplo os discos abrasivos apresentam fissuras e estilhaços, se pratos abrasivos apresentam fissuras, se há desgaste ou forte atrição, se as escovas de arame apresentam arames soltos ou quebrados. Se a ferramenta eléctrica ou a ferramenta de trabalho caírem, deverá verificar se sofreram danos, ou trocar por uma ferramenta de trabalho intacta. Após ter controlado e introduzido a ferramenta de trabalho, deverá manter-se, e as pessoas que se encontrem nas proximidades, fora do nível de rotação da ferramenta de trabalho e permitir que a ferramenta eléctrica funcione durante um minuto com o máximo número de rotação. A maioria das ferramentas de trabalho danificadas quebram durante este período de teste.

h) Utilizar um equipamento de protecção pessoal. De acordo com a aplicação, deverá utilizar uma protecção para todo o rosto, protecção para os olhos ou um óculos protector. Se for necessário, deverá utilizar uma máscara contra pó, protecção auricular, luvas de protecção ou um avental especial, para proteger-se de pequenas partículas de amoladura e de material. Os olhos devem ser protegidos contra partículas a voar, produzidas durante as diversas aplicações. A máscara contra pó ou a máscara de respiração deve ser capaz de filtrar o pó produzido durante a respectiva aplicação. Se for sujeito durante longo tempo a fortes ruídos, poderá sofrer a perda da capacidade auditiva.

i) Observe que as outras pessoas mantenham uma distância segura em relação ao seu local de trabalho. Cada pessoa que entrar na área de trabalho, deverá usar um equipamento de protecção pessoal. Estilhaços da peça a ser trabalhada ou ferramentas de trabalho quebradas podem voar e causar lesões fora da área imediata de trabalho.

j) Segure o aparelho nas superfícies de punho isoladas se estiver a executar trabalhos, nos quais a ferramenta de corte pode tocar em linhas eléctricas escondidas. O contacto da ferramenta de corte com uma linha sob tensão também pode colocar peças metálicas do aparelho sob tensão e levar a um choque eléctrico.

k) Nunca pouse a ferramenta eléctrica antes de a ferramenta de trabalho parar completamente. A ferramenta de trabalho em rotação pode entrar em contacto com a superfície de apoio, provocando uma perda de controlo da ferramenta eléctrica.

l) Não permitir que a ferramenta eléctrica funcione enquanto estiver a transportá-la. A sua roupa pode ser agarrada devido a um contacto accidental com a ferramenta de trabalho em rotação, de modo que a ferramenta de trabalho possa ferir o seu corpo.

m) Limpar regularmente as aberturas de ventilação da sua ferramenta eléctrica. A ventoinha do motor puxa pó para dentro da carcaça, e uma grande quantidade de pó de metal pode causar perigos eléctricos.

n) Não utilizar a ferramenta eléctrica perto de materiais inflamáveis. Físcas podem incendiar estes materiais.

o) Não utilizar ferramentas de trabalho que necessitem agentes de refrigeração líquidos. A utilização de água ou de outros agentes de refrigeração líquidos pode provocar um choque eléctrico.

## Contra-golpe e respectivas advertências

ContraGolpe é uma repentina reacção devido a uma ferramenta de trabalho travada ou bloqueada, como por exemplo um disco abrasivo, um prato abrasivo, uma escova de arame etc. Um travamento ou um bloqueio levam a uma parada abrupta da ferramenta de trabalho em rotação. Desta maneira, uma ferramenta eléctrica descontrolada pode ser acelerada no local de bloqueio, sendo forçada no sentido contrário da rotação da ferramenta de trabalho.

Se por exemplo um disco abrasivo travar ou bloquear numa peça a ser trabalhada, o canto do disco abrasivo pode mergulhar na peça a ser trabalhada e encravar-se, quebrando o disco abrasivo ou causando um contra-golpe. O disco abrasivo se movimenta então no sentido do operador ou para longe deste, dependendo do sentido de rotação do disco no local do bloqueio. Sob estas condições os discos abrasivos também podem partir-se.

Um contra-golpe é a consequência de uma utilização incorrecta ou indevida da ferramenta eléctrica. Ele pode ser evitado por apropriadas medidas de precaução como descrito a seguir.

a) Segurar firmemente a ferramenta eléctrica e posicionar o seu corpo e os braços de modo que possa resistir às forças de um contra-golpe. Sempre utilizar o punho adicional, se existente, para assegurar o máximo controlo possível sobre as forças de um contra-golpe ou sobre momentos de reacção durante o arranque. O operador pode controlar as forças de contra-golpe e as forças de reacção através de medidas de precaução apropriadas.

b) Jamais permita que as suas mãos se encontrem perto de ferramentas de trabalho em rotação. O acessório pode recuar e atingir a sua mão.

c) Evite que o seu corpo se encontre na área, na qual a ferramenta eléctrica possa ser movimentada no caso de um contra-golpe. O contra-golpe força a ferramenta eléctrica no sentido contrário ao movimento do disco abrasivo no local do bloqueio.

d) Trabalhar com especial cuidado na área ao redor de esquinas, cantos afiados etc. Evite que ferramentas de trabalho sejam ricocheteadas e travadas pela peça a ser trabalhada. A ferramenta de trabalho em rotação tende a travar em esquinas, em cantos afiados ou se for ricocheteada. Isto causa uma perda de controlo ou um contra-golpe.

e) Não utilize lâminas de corrente ou lâminas de serra dentadas. Estas ferramentas de trabalho provocam frequentemente uma repercussão ou a perda do controlo sobre a ferramenta eléctrica.

## Instruções especiais de segurança específicas para lixar e separar por rectificação

a) Utilizar exclusivamente os corpos abrasivos homologados para a sua ferramenta eléctrica e a capa de protecção prevista para estes corpos abrasivos. Corpos abrasivos não previstos para a ferramenta eléctrica, não podem ser suficientemente protegidos e portanto não são seguros.

b) Discos abrasivos dobrados devem ser montados, de forma que a sua superfície abrasiva não sobressaia além do nível da margem da tampa de protecção. Não é possível blindar suficientemente um disco abrasivo montado incorrectamente, que sobressai além do nível da margem da tampa de protecção.



**c) Sempre utilizar a capa de protecção, prevista para o tipo de corpo abrasivo utilizado. A capa de protecção deve ser firmemente aplicada na ferramenta eléctrica e fixa, de modo que seja alcançado um máximo de segurança, ou seja, que apenas uma mínima parte do corpo abrasivo aponte abertamente na direcção do operador.** A protecção ajuda a proteger o operador contra estilhaços do disco de corte, contacto acidental com o disco de corte e faíscas que poderiam incendiar o vestuário.

**d) Os corpos abrasivos só devem ser utilizados para as aplicações recomendadas. P. ex.: Jamais lixar com a superfície lateral de um disco de corte.** Disco de corte são destinados para o desbaste de material com o canto do disco. Uma força lateral sobre estes corpos abrasivos pode quebrá-los.

**e) Sempre utilizar flanges de aperto intactos de tamanho e forma correctos para o disco abrasivo seleccionado.** Flanges apropriados apoiam o disco abrasivo e reduzem assim o perigo de uma ruptura do disco abrasivo. Flanges para discos de corte podem diferenciarse de flanges para outros discos abrasivos.

**f) Não utilizar discos abrasivos gastos de outras ferramentas eléctricas maiores.** Discos abrasivos para ferramentas eléctricas maiores não são apropriados para os números de rotação mais altos de ferramentas eléctricas menores e podem quebrar.

**Outras advertências especiais de segurança para separar por rectificação**

**a) Evitar um bloqueio do disco de corte ou uma força de pressão demasiado alta. Não efectuar cortes extremamente profundos.** Uma sobrecarga do disco de corte aumenta o desgaste e a predisposição para emperrar e bloquear e portanto a possibilidade de um contra-golpe ou uma ruptura do corpo abrasivo.

**b) Evitar a área que se encontra na frente ou atrás do disco de corte em rotação.** Se o disco de corte for conduzido na peça a ser trabalhada, para frente, afastandose do corpo, é possível que no caso de um contra-golpe a ferramenta eléctrica, junto com o disco em rotação, seja atirada directamente na direcção da pessoa a operar o aparelho.

**c) Se o disco de corte emperrar ou se o trabalho for interrompido, deverá desligar a ferramenta eléctrica e mantê-la parada, até o disco parar completamente. Jamais tentar puxar o disco de corte para fora do corte enquanto ainda estiver em rotação, caso contrário poderá ser provocado um contra-golpe.** Verificar e eliminar a causa do emperramento.

**d) Não ligar novamente a ferramenta eléctrica, enquanto ainda estiver na peça a ser trabalhada. Permita que o disco de corte alcance o seu completo número de rotação, antes de continuar cuidadosamente a cortar.** Caso contrário é possível que o disco emperre, pule para fora da peça a ser trabalhada ou cause um contra-golpe.

**e) Apoiar placas ou peças grandes, para reduzir um risco de contra-golpe devido a um disco de corte emperrado.** Peças grandes podem curvarse devido ao próprio peso. A peça a ser trabalhada deve ser apoiada de ambos os lados, tanto nas proximidades do corte como também nos cantos.

**f) Tenha muito cuidado ao fazer “cortes de bolsa” em paredes existentes ou outras áreas não visíveis.** O disco de corte pode causar um contra-golpe se cortar acidentalmente tubulações de gás ou de água, cabos eléctricos ou outros objectos.

**Advertências especiais de segurança específicas para lixar com lixa de papel:**

**a) Não utilizar lixas de papel demasiado grandes, mas sempre seguir as indicações do fabricante sobre o tamanho correcto das lixas de papel.** Lixas de papel, que sobressaem dos cantos do prato abrasivo, podem causar lesões, assim como bloquear e rasgar as lixas de papel ou levar a um contra-golpe.

**Advertências especiais de segurança específicas para trabalhar com escovas de arame:**

**a) Observe que a escova de arame também perde cerdas durante a utilização normal. Não aplique uma força de pressão muito forte nos arames.** Cerdas ejetadas podem penetrar facilmente em roupa leve e/ou na pele.

**b) Se for recomendável uma capa de protecção, deverá evitar que a escova de arame entre em contacto com a capa de protecção.** O diâmetro das escovas em forma de prato ou de tacho pode aumentar devido à força de pressão e às forças centrífugas.

#### INSTRUÇÕES DE SEGURANÇA E TRABALHO SUPLEMENTARES

Antes de ligar a ferramenta, verifique sempre se o botão de bloqueio do eixo está completamente solto! Depois de utilizar o bloqueio do eixo para apertar / afrouxar o disco abrasivo, é possível que o botão fique preso na posição de bloqueio.

Ao lixar metais, voam faíscas. Observe que ninguém seja posto em perigo. Devido ao perigo de incêndio não devem encontrar-se materiais inflamáveis nas proximidades (área de vôo de faíscas). Não utilize sistema de extracção de poeiras.

Evitar o contacto de faíscas e pó de lixar com o corpo.

Não introduza as mãos na área perigosa, estando a máquina em funcionamento.

Não remover aparas ou lascas enquanto a máquina trabalha.

Desligar imediatamente o aparelho, se ocorrerem grandes oscilações ou se forem observadas outras avarias. Controlar a máquina para determinar a causa.

Em condições extremas (por exemplo, metais que obriguem a esmeril suave, utilizando o disco com protecção e fibra vulcanizada), é possível que se acumule uma quantidade significativa de material contaminante no interior da rebarbadora.

Não deixe que peças metálicas toquem nas fendas de circulação de ar - perigo de curto-circuitos.

**ATENÇÃO!** Perigo de queimar-se! Durante a utilização, o disco e a peça trabalhada vão ficar quentes. Ao trocar os discos ou tocar na peça de trabalho, use luvas. Mantenha sempre as mãos afastadas da área que estiver a ser trabalhada com a rebarbadora.

**ATENÇÃO!** Para evitar o risco de incêndio, de feridas ou de danificação do produto causado por um curto-circuito, não imerja a bateria intercambiável ou o carregador em líquidos e assegure-se de que líquidos não penetrem nos aparelhos ou nas baterias. Líquidos corrosivos ou condutivos como água salgada, determinadas substâncias químicas e produtos que contenham branqueadores podem causar um curto-circuito.

Carregadores só devem ser utilizados em recintos secos.

Use apenas carregadores do Sistema M18 para recarregar os acumuladores do Sistema M18. Não utilize acumuladores de outros sistemas.



**ATENÇÃO!** Este dispositivo contém uma pilha de célula de lítio tipo botão/moeda. Uma pilha de nova ou usada pode causar queimaduras internas graves e levar à morte em menos de 2 horas, em caso de ingestão ou se ela penetrar no corpo. Fixe sempre a tampa do compartimento da pilha. Se ela não for fechada seguramente, pare o dispositivo, remova a pilha e mantenha-a fora do alcance de crianças. Se achar que alguém engoliu a pilha ou se ela tiver de algum outro modo penetrado no corpo, procure imediatamente um médico.

#### UTILIZAÇÃO AUTORIZADA

A rebarbadora foi concebida para esmerilar e cortar materiais metálicos, em pedra, cimento e cerâmicos, bem como para operações de decapagem e escovagem com escova de metal.

Para aplicações de corte, utilize o resguardo de corte constante da gama de acessórios.

Em caso de dúvida, observe as indicações do fabricante dos acessórios.

A ferramenta só é apropriada para o processamento a seco.

Só devem ser encaixados na rebarbadora discos de esmeril/ corte e respetivas proteções (protecção de esmeril ou protecção de corte) que sejam adequados, conforme descritos na secção de especificações do produto deste manual. A rebarbadora foi concebida para utilização portátil, não se destinando a ser montada num acessório ou bancada.

Não utilize o produto de qualquer outra forma além das indicadas para a utilização prevista.

#### RISCOS RESIDUAIS

Mesmo em caso de utilização correcta não é possível excluir todos os riscos residuais. Na utilização da máquina podem ser causados os seguintes perigos que o utilizador deve observar:

- Feridas causadas pela vibração. Segure o aparelho nos punhos previstos e limite o tempo de trabalho e exposição.
- Os ruídos podem levar à perda de audição. Use um protetor auricular e limite o período de exposição.
- Feridas dos olhos causadas por partículas de sujeira. Sempre use óculos de protecção, calças compridas sólidas e calçados sólidos.
- Inalação de pós tóxicos.

#### NOTAS PARA BATERIAS DE IÕES DE LÍTIO

##### Utilização de iões de lítio

Acumuladores não utilizados durante algum tempo devem ser recarregados antes da sua utilização.

Temperaturas acima de 50°C reduzem a capacidade do bloco acumulador. Evitar exposição prolongada ao sol ou a caloríferos. Manter limpos os contactos eléctricos no carregador e no bloco acumulador.

Para uma vida útil óptima das baterias, terá que carregá-las plenamente após a sua utilização. Para assegurar uma vida útil longa, o pacote de bateria deve ser removido da carregadora depois do carregamento.

Se o pacote de bateria for armazenado por mais de 30 dias: Armazene o pacote de bateria com aprox. 27°C em um lugar seco. Armazene o pacote de bateria com aprox. 30%-50% da carga completa.

Carregue o pacote de bateria novamente de 6 em 6 meses.

##### Protecção contra sobrecarga para baterias de iões de lítio

No caso de sobrecarga da bateria devido a um consumo de corrente demasiado elevado, por exemplo um binário de rotação extremamente elevado, uma paragem repentina ou um curto-circuito, a ferramenta eléctrica vibra durante 5 segundos, o indicador de carregamento de bateria começa a piscar e a ferramenta eléctrica desliga-se automaticamente.

Para a ligar novamente, desligar e voltar a ligar o interruptor Sob condições extremas, a bateria aquece demasiado. Nesse caso, todas as luzes do indicador de carregamento de bateria piscam até que esta arrefeça. Após as luzes do indicador de carregamento de bateria se apagarem, pode-se continuar a trabalhar.

##### Transporte de baterias de ião-lítio

Baterias de ião-lítio estão sujeitas às disposições da legislação relativa às substâncias perigosas.

O transporte destas baterias deve ser efetuado de acordo com as disposições e os regulamentos locais, nacionais e internacionais. O utilizador pode efetuar o transporte rodoviário destas baterias sem restrições.

O transporte comercial de baterias de ião-lítio por terceiros está sujeito aos regulamentos relativos às substâncias perigosas. A preparação do transporte e o transporte devem ser executados exclusivamente por pessoas instruídas e o processo deve ser acompanhado pelos especialistas correspondentes.

Observe o seguinte no transporte de baterias:

Assegure-se de que os contactos terminais estejam protegidos e isolados para evitar um curto-circuito.

Assegure-se de que o bloco da bateria esteja protegido contra movimentos na embalagem. Não transporte baterias danificadas ou que tenham fuga. Para instruções mais detalhadas consulte a companhia de transportes

#### DICAS DE TRABALHO

Para as ferramentas a serem montadas com a roda de orifício roscado, certifique-se de que a rosca na roda é suficientemente longa para receber o fuso em todo o seu comprimento.

Sempre utilizar e guardar os rebolos separadores e os discos abrasivos, de acordo com as indicações do fabricante.

Durante o trabalho com discos de desbaste e de corte sempre deve ser utilizada a placa de protecção.

Discos abrasivos dobrados devem ser montados, de forma que a sua superfície abrasiva não sobressaia além do nível da margem da tampa de protecção.

A porca de ajuste deve ser apertada antes de iniciar o trabalho com a máquina.

Utilizar sempre o punho lateral.

A peça a ser trabalhada deve ser fixada, caso não esteja firme devido ao seu peso próprio. Jamais conduzir a peça a ser trabalhada em direcção do disco com as mãos.

Antes de colocar a máquina em funcionamento, a porca flangeada deve ser apertada para que esteja fixa. Se a ferramenta não for bem apertada com a porca flangeada, é possível que a ferramenta perda a força de tensão necessária na travagem.

#### PROTEÇÃO CONTRA SOBRECARGA E RECUCO

O aparelho dispõe de uma função de protecção contra sobrecarga e anti-retorno e parará quando houver a sobrecarga correspondente. Desligue a ferramenta eléctrica e volte a ligá-la, a fim de poder continuar a trabalhar.

#### ARRANQUE SUAVE

Arranque suave electrónico para manejo seguro; evita o arranque brusco da máquina ao ligá-la.

#### SISTEMA DE TRAVAGEM

O travão de movimento por impulso após desligar é ativado ao soltar o gatilho, fazendo com que a ferramenta pare em poucos segundos.

Certifique-se de que a ferramenta de inserção para por completo antes de a pousar.

Comparativamente às ferramentas sem travão de movimento por impulso após desligar, o tempo de movimento por impulso após desligar desta ferramenta é bastante reduzido, através da travagem.

#### ONE-KEY™

Para saber mais sobre a funcionalidade ONE-KEY deste dispositivo, consulte o guia de iniciação rápida fornecido com este produto ou vá a <http://www.milwaukee.com/one-key>

Pode-se descarregar a app ONE-KEY para o smartphone através da App Store ou do Google Play.

Interferências causadas por descargas eletrostáticas também interrompem a comunicação através da função Bluetooth. Neste caso, será necessário restabelecer a ligação Bluetooth manualmente. Os resultados dos ensaios satisfazem as nossas exigências mínimas nos termos das EN 55014-2 / EN 301 489-1 / EN 301 489-17.

#### LIMPEZA

Manter desobstruídos os rasgos de ventilação na carcaça da máquina.

#### MANUTENÇÃO

Utilizar apenas acessórios Milwaukee e peças sobresselentes Milwaukee. Os componentes cuja substituição não esteja descrita devem ser substituídos num serviço de assistência técnica Milwaukee (consultar a brochura relativa à garantia/moradas dos serviços de assistência técnica).

A pedido e mediante indicação da referência que consta da chapa de características da máquina, pode requerer-se um desenho explosivo da ferramenta eléctrica a: Techronic Industries GmbH, Max-Eyth-Straße 10, 71364 Winnenden, Germany.

**SYMBOLE**

	Leia atentamente o manual de instruções antes de colocar a máquina em funcionamento.
	ATENÇÃO! PERIGO!
	Antes de efectuar qualquer intervenção o aparelho retirar o bloco acumulador.
	Não ingira as pilhas de botão!
	Não utilize a protecção para operações de corte.
	Não aplique força.
	Aplique força.
	Usar sempre óculos de protecção ao trabalhar com a máquina.
	Sempre use a protecção dos ouvidos.
	Use uma máscara de protecção contra pó apropriada.
	Use luvas de protecção!
	Trabalhe sempre com as duas mãos.
	Só para trabalhos de lixar.
	Só para trabalhos de separação.
	Preste atenção à espessura admissível do disco.
	Acessório - Não incluído no equipamento normal, disponível como acessório.

	Aparelhos eléctricos, baterias/acumuladores não devem ser jogados no lixo doméstico. Os aparelhos eléctricos e as baterias devem ser colectados separadamente e entregues a uma empresa de reciclagem para a eliminação correcta. Solicite informações sobre empresas de reciclagem e postos de colecta de lixo das autoridades locais ou do seu vendedor autorizado.
<b>n</b>	Número de rotações nominal
<b>V</b>	Tensão
	Corrente contínua
	Marca de Conformidade Europeia
	Marca de Conformidade Britânica
	Marca de Conformidade Ucraniana
	Marca de Conformidade Eurasíatica

**TECHNISCHE GEGEVENS** **M18 ONEFLAG230XPDB**

Type	Accu-haakse slijpmachine
Productienummer	4835 68 01 XXXXXX MJJJJ
Spanning wisselakku	18 V $\equiv$
Bluetooth-frequentieband (frequentiebanden)	2400 - 2483,5 MHz
Hoogfrequent vermogen	2 dBm
Bluetooth-versie	4.2 BT signal mode
Nominaal toerental	6600 min <sup>-1</sup>
Asaansluiting	M14
D=Slijpschijf-Ø max.	230 mm
d=Asgat-Ø	22,2 mm
	b=Slijpschijfdikte max. 8 mm
	b=Dikte doorslijpschijven max. / min. 3 mm / 1,9 mm
	D=Diameter schuurschijf max. 230 mm
	D=Komborstel-Ø max. 100 mm

Gewicht volgens de EPTA-procedure 01/2014 (Li-Ion 2,0 Ah ... 12,0 Ah)	4,2 ... 5,4 kg
Aanbevolen omgevingstemperatuur voor het bedrijf	-18 ... +50 °C
Aanbevolen accupacks	M18B...; M18HB...
Aanbevolen laadtoestellen	M12-18...; M1418C6
<b>Geluidsinformatie:</b> Meetwaarden vastgesteld volgens EN 60745. Het kenmerkende A-gewogen geluidsniveau van de machine bedraagt:	
Geluidsdrukniveau / Onzekerheid K	88,4 dB (A) / 3 dB (A)
Geluidsvermogniveau / Onzekerheid K	99,4 dB (A) / 3 dB (A)

**Draag oorbeschermers!**

**Trillingsinformatie:** Totale trillingswaarden (vectorsom van drie richtingebepaald volgens EN 60745.

Trillingsemisiewaarde a <sub>w</sub> / Onzekerheid K	
Schuren van oppervlakken	5,5 m/s <sup>2</sup> / 1,5 m/s <sup>2</sup>
Schuren met schuurblad	3,2 m/s <sup>2</sup> / 1,5 m/s <sup>2</sup>

Bij andere toepassingen zoals bijv. doorslijpen of schuren met de staalborstel, kunnen andere trilwaarden ontstaan!

**WAARSCHUWING!**

De in dit informatieblad vermelde trillings- en geluidsniveaus zijn gemeten in overeenstemming met een standaard testmethode conform EN 60745 en kunnen worden gebruikt om gereedschap met elkaar te vergelijken. Deze kunnen ook worden gebruikt voor het vooraf evalueren van de blootstelling.

De vermelde trillings- en geluidsniveaus gelden voor de meest gebruikelijke toepassingen van het gereedschap. Wanneer het gereedschap echter voor andere doeleinden of met andere hulpstukken gebruikt wordt of niet naar behoren onderhouden wordt, kan de mate van blootstelling over de hele werkperiode aanzienlijk hoger uitvallen.

Voor een nauwkeurige inschatting van de blootstelling aan trillingen en geluid moet ook de tijd in aanmerking worden genomen die het apparaat uitgeschakeld is of weliswaar loopt, maar niet werkelijk in gebruik is. Dit kan de waarde van de mate aan blootstelling over de hele werkperiode aanzienlijk verminderen.

Bepaal extra veiligheidsmaatregelen ter bescherming van de gebruiker tegen de gevolgen van trillingen en/of geluid, bijvoorbeeld: onderhoud van het gereedschap en hulpstukken, warmhouden van de handen, organisatie van de werkprocessen.

**WAARSCHUWING!** Lees alle veiligheidsinstructies en aanwijzingen door. Als de waarschuwingen en voorschriften niet worden opgevolgd, kan dit een elektrische schok, brand of ernstig letsel tot gevolg hebben.

**Bewaar alle waarschuwingen en voorschriften voor toekomstig gebruik.**

**VEILIGHEIDSinSTRUCTIES VOOR HAAKSE SLIJPERS**

**Algemene waarschuwingen voor slijpen, schuren, borstelen, polijsten en doorslijpen:**

a) Dit elektrische gereedschap is bestemd voor gebruik als slijpmachine, schuurmachine, borstelmachine en doorslijpmachine. **Neem alle waarschuwingen, aanwijzingen, afbeeldingen en gegevens die u bij het elektrische gereedschap ontvangt in acht.** Als u de volgende aanwijzingen niet in acht neemt, kunnen een elektrische schok, brand en/of ernstig letsel het gevolg zijn.

b) Dit elektrische gereedschap is niet geschikt voor het polijsten. Ondoelmatig gebruik van dit elektrische gereedschap kan leiden tot gevaren en persoonlijk letsel.

c) Gebruik uitsluitend toebehoren dat door de fabrikant speciaal voor dit elektrische gereedschap is voorzien en geadviseerd. Het feit dat u het toebehoren aan het elektrische gereedschap kunt bevestigen, waarborgt nog geen veilig gebruik.

d) Het toelaatbare toerental van het inzetgereedschap moet minstens even hoog zijn als het maximale toerental dat op het elektrische gereedschap is aangegeven. Toebehoren dat sneller draait dan toegestaan, kan breken en in het rond vliegen.

e) De buitendiameter en de dikte van het inzetgereedschap moeten overeenkomen met de maatgegevens van het elektrische gereedschap. Inzetgereedschappen met onjuiste afmetingen kunnen niet voldoende afgeschermd of gecontroleerd worden.

f) De schroefdraden van het toebehoren moeten overeenstemmen met de schroefdraden van de slijpspil. Bij toebehoren dat moet worden aangeflensd, moet de boring op de opspandoom in het toebehoren overeenstemmen met de diameter van de centreerflens. Toebehoren dat niet op de montageboom van het apparaat past, loopt excentrisch, trilt buitengewoon sterk en kan leiden tot controleverlies over het gereedschap.

g) Gebruik geen beschadigde inzetgereedschappen. Controleer voor het gebruik altijd inzetgereedschappen zoals slijpschijven op afsplinteringen en scheuren, steunschijven op scheuren of sterke slijtage en draadborstels op losse of gebroken draden. Als het elektrische gereedschap of het inzetgereedschap valt, dient u te controleren of het beschadigd is, of gebruik een onbeschadigd inzetgereedschap. Als u het inzetgereedschap hebt gecontroleerd en ingezet, laat u het elektrische gereedschap een minuut lang met het maximale toerental lopen. Daarbij dient u en dienen andere personen uit de buurt van het ronddraaiende inzetgereedschap te blijven. Beschadigde inzetgereedschappen breken meestal gedurende deze testtijd.

h) Draag persoonlijke beschermende uitrusting. Gebruik afhankelijk van de toepassing een volledige gezichtsbescherming, oogbescherming of veiligheidsbril. Draag voor zover van toepassing een stofmasker, een gehoorbescherming, werkhandschoenen of een speciaal schort dat kleine slijp- en materiaaldeeltjes tegenhoudt. Uw ogen moeten worden beschermd tegen wegvliegende deeltjes die bij verschillende toepassingen ontstaan. Een stof- of adembeschermingsmasker moet het bij de toepassing staande stof filteren. Als u lang wordt blootgesteld aan luid lawaai, kan uw gehoor worden beschadigd.

i) Let erop dat andere personen zich op een veilige afstand bevinden van de plaats waar u werkt. Iedereen die de werkomgeving betreedt, moet persoonlijke beschermende uitrusting dragen. Brokstukken van het werkstuk of gebroken inzetgereedschappen kunnen wegvliegen en verwondingen veroorzaken, ook buiten de directe werkomgeving.

j) Houd het apparaat alléén aan de geïsoleerde grijpvlakken vast, wanneer u werkzaamheden uitvoert waarbij het snijgereedschap verborgen stroomleidingen zou kunnen raken. Het contact van het snijgereedschap met een spanningvoerende leiding kan de metalen apparaatdelen onder spanning zetten en zo tot een elektrische schok leiden.

k) Leg het elektrische gereedschap nooit neer, vóór het inzetstuk volledig tot stilstand is gekomen. Het draaiende inzetgereedschap kan in contact komen met het oppervlak, waardoor u de controle over het elektrische gereedschap kunt verliezen.

l) Laat het elektrische gereedschap niet lopen terwijl u het draagt. Uw kleding kan door toevallig contact met het draaiende inzetgereedschap worden meegenomen en het inzetgereedschap kan zich in uw lichaam boren.

m) Reinig regelmatig de ventilatieopeningen van het elektrische gereedschap. De motorventilator trekt stof in het huis en een sterke ophoping van metaalstof kan elektrische gevaren veroorzaken.

n) Gebruik het elektrische gereedschap niet in de buurt van brandbare materialen. Vonken kunnen deze materialen ontsteken.

o) Gebruik geen inzetgereedschappen waarvoor vloeibare koelmiddelen vereist zijn. Het gebruik van water of andere vloeibare koelmiddelen kan tot een elektrische schok leiden.

## Terugslag en bijbehorende waarschuwingen

Terugslag is de plotselinge reactie als gevolg van een vasthakend of geblokkeerd draaiend inzetgereedschap, zoals een slijpschijf, steunschijf, draadborstel, enz. Vasthakende blokkeren leidt tot abrupte stilstand van het ronddraaiende inzetgereedschap. Daardoor wordt een ongecontroleerd elektrisch gereedschap tegen de draairichting van het inzetgereedschap versneld op de plaats van de blokkering.

Als bijvoorbeeld een slijpschijf in het werkstuk vasthaakt of blokkeert, kan de rand van de slijpschijf die in het werkstuk invalt, zich vastgrijpen. Daardoor kan de slijpschijf uitbreken of een terugslag veroorzaken. De slijpschijf beweegt zich vervolgens naar de bediener toe of van de bediener weg, afhankelijk van de draairichting van de schijf op de plaats van de blokkering. Hierbij kunnen slijpschijven ook breken.

Een terugslag is het gevolg van het verkeerd gebruik of onjuiste gebruiksomstandigheden van het elektrische gereedschap. Terugslag kan worden voorkomen door geschikte voorzorgsmaatregelen, zoals hieronder beschreven.

a) Houd het elektrische gereedschap goed vast en breng uw lichaam en uw armen in een positie waarin u de terugslagkrachten kunt opvangen. Gebruik altijd de extra handgreep, indien aanwezig, om de grootst mogelijke controle te hebben over terugslagkrachten of reactiemomenten bij het op toeren komen. De bediener kan door geschikte voorzorgsmaatregelen de terugslag- en reactiekrachten beheersen.

b) Breng uw hand nooit in de buurt van draaiende inzetgereedschappen. Accessoires kunnen over uw hand terugslaan.

c) Mijd met uw lichaam het gebied waarheen het elektrische gereedschap bij een terugslag wordt bewogen. De terugslag drijft het elektrische gereedschap in de richting die tegengesteld is aan de beweging van de slijpschijf op de plaats van de blokkering.

d) Werk bijzonder voorzichtig in de buurt van hoeken, scherpe randen, enz. Voorkom dat inzetgereedschappen van het werkstuk terugspringen en vastklemmen. Het ronddraaiende inzetgereedschap neigt er bij hoeken, scherpe randen of wanneer het terugspringt toe om zich vast te klemmen. Dit veroorzaakt een controleverlies of terugslag.

e) Gebruik geen ketting- of getand zaagblad. Dergelijke inzetstukken veroorzaken vaak een terugslag of verlies van controle over het elektrische gereedschap.

## Bijzondere waarschuwingen voor slijp- en doorslijpwerkzaamheden

a) Gebruik uitsluitend het voor het elektrische gereedschap toegestane slijp- en doorslijp- en draadborstels. Slijp- en doorslijp- en draadborstels die niet voor het elektrische gereedschap is voorzien, kan niet voldoende worden afgeschermd en is niet veilig.

b) Gebogen slijpschijven moeten zodanig worden gemonteerd dat het schuuroppervlak niet boven de rand van de veiligheidskap uitsteekt. Een ondeskundig gemonteerd slijpschijf die boven de rand van de veiligheidskap uitsteekt kan niet afdoende worden afgeschermd.

c) Gebruik altijd de beschermkap die voor het gebruikte soort slijp- en draadborstel is voorzien. De beschermkap moet stevig op het elektrische gereedschap zijn aangebracht en zodanig zijn ingesteld dat een maximum aan veiligheid wordt bereikt. Dat wil zeggen dat het kleinste mogelijke deel van het slijp- en draadborstel open naar de bediener wijst. De bescherming helpt om de gebruiker te beschermen tegen delen van een gebroken schijf, onbedoeld contact met de schijf en vonken die kleding in brand kunnen zetten.

d) Slijp- en draadborstels mag alleen worden gebruikt voor de geadviseerde toepassingsmogelijkheden. Bijvoorbeeld: slijp- en draadborstels mag nooit met het zijvlak van een doorslijpschijf. Doorslijpschijven zijn bestemd voor materiaalafname met de rand van de schijf. Een zijwaartse krachtnwerking op dit slijp- en draadborstel kan het toebehoren breken.

e) Gebruik altijd onbeschadigde spanflenzen in de juiste maat en vorm voor de door u gekozen slijpschijf. Geschikte flenzen steunen de slijpschijf en verminderen zo het gevaar van een slijpschijfbreuk. Flenzen voor doorslijpschijven kunnen verschillen van de flenzen voor andere slijpschijven.

f) Gebruik geen versleten slijpschijven van grotere elektrische gereedschappen. Slijpschijven voor grotere elektrische gereedschappen zijn niet geconstrueerd voor de hogere toerentallen van kleinere elektrische gereedschappen en kunnen breken.

## Overige bijzondere waarschuwingen voor doorslijpwerkzaamheden

a) Voorkom blokkeren van de doorslijpschijf en te hoge aandrukkraft. Slijp niet overmatig diep. Een overbelasting van de doorslijpschijf vergroot de slijtage en de gevoeligheid voor kantelen of blokkeren en daardoor de mogelijkheid van een terugslag of breuk van het slijp- en draadborstel.

b) Mijd de omgeving voor en achter de ronddraaiende doorslijpschijf. Als u de doorslijpschijf in het werkstuk van u weg beweegt, kan in het geval van een terugslag het elektrische gereedschap met de draaiende schijf rechtstreeks naar u toe worden geslingerd.

c) Als de doorslijpschijf vastklemt of als u de werkzaamheden onderbreekt, schakelt u het elektrische gereedschap uit en houdt u het rustig tot de schijf tot stilstand is gekomen. Probeer nooit om de nog draaiende doorslijpschijf uit de greep te trekken. Anders kan een terugslag het gevolg zijn. Stel de oorzaak van het vastklemmen vast en maak deze ongedaan.

d) Schakel het elektrische gereedschap niet opnieuw in zolang het zich in het werkstuk bevindt. Laat de doorslijpschijf eerst het volledige toerental bereiken voordat u het doorslijpen voorzichtig voortzet. Anders kan de schijf vasthakken, uit het werkstuk springen of een terugslag veroorzaken.

e) Ondersteun platen of grote werkstukken om het risico van een terugslag door een ingeklemde doorslijpschijf te verminderen. Grote werkstukken kunnen onder hun eigen gewicht doorbuigen. Het werkstuk moet aan beide zijden worden ondersteund, vlakbij de slijp- en draadborstel en aan de rand.

f) Wees bijzonder voorzichtig bij het insteekzagen in bestaande wanden of andere niet-zichtbare bereiken. De invallende doorslijpschijf kan bij het doorslijpen van gas- of waterleidingen, elektrische leidingen of andere objecten een terugslag veroorzaken.

## Bijzondere waarschuwingen voor schuurwerkzaamheden:

a) Gebruik geen schuurbladen met te grote afmetingen, maar houd u aan de voorschriften van de fabrikant voor de maten van schuurbladen. Schuurbladen die over de rand van de steunschijf uitsteken, kunnen verwondingen veroorzaken en kunnen tot blokkeren, scheuren van de schuurbladen of terugslag leiden.

## Bijzondere waarschuwingen voor werkzaamheden met draadborstels:

a) Let op dat de draadborstel ook tijdens het normale gebruik draadstukken verliest. Overbelast de draden niet door een te hoge aanpersdruk. Wegvliegende draadstukken kunnen probleemloos door dunne kleding en/of de huid dringen.

b) Als het gebruik van een beschermkap wordt geadviseerd, dient u te voorkomen dat beschermkap en draadborstel elkaar kunnen raken. Vlakstaal- en komstaalborstels kunnen door aandrukkraft en centrifugaalkrachten hun diameter vergroten.

## VERDERE VEILIGHEIDS- EN WERKINSTRUCTIES

Kijk voor het inschakelen van het apparaat altijd eerst de spindelvergrendelingsknop volledig vrij sta! Na het gebruik van de spindelvergrendeling voor het vast-/losdraaien van de slijpschijf is het mogelijk dat de knop in de vergrendelingsstand blijft steken.

Bij het schuren van metalen ontstaan vonken. Er op letten dat er geen personen in gevaar worden gebracht. In verband met het brandgevaar mogen zich geen brandbare materialen in de buurt (gebied waar de vonken vallebevinden). Geen stofafzuiging gebruiken

Voorkom dat vonkenregen en slijpstof het lichaam raken.

Niet aan de draaiende delen komen.

Spanen of splinters mogen bij draaiende machine niet worden verwijderd.

Machine onmiddellijk controleren als sterke trillingen optreden of andere gebreken worden vastgesteld. Controleer de machine om de oorzaak vast te stellen.

Omder extreme omstandigheden (bijv. gladslijpen van metaal met steunschijf en slijpstift van geïsoleerde vezel) kan aan zich de binnenkant van de slijpmachine vuil ophopen.

Vanwege kortsluitingsgevaar mogen metaaldeeltjes niet in de luchtschachten terechtkomen.

WAARSCHUWING! Gevaar voor verbrandingen! De schijf en het werkstuk worden tijdens het gebruik heet. Draag handschoenen bij het vervangen van schijven of het aanraken van het werkstuk. Houd uw handen te allen tijde uit de buurt van de te slijpen gebied.

WAARSCHUWING! Voorkom brand, persoonlijk letsel of materiële schade door kortsluiting en dompel het gereedschap, de wisselaccu en het laadtoestel niet onder in vloeistoffen en waarborg dat geen vloeistoffen in de apparaten en accu's kunnen dringen. Corrosieve of geleidende vloeistoffen zoals zout water, bepaalde chemicaliën, bleekmiddelen of producten die bleekmiddelen bevatten, kunnen een kortsluiting veroorzaken.

Wisselakku's en laadapparaten niet openen en alleen in droge ruimtes opslaan. Tegen vocht beschermen.

Wisselakku's van het Akku-Systeem M18 alléén met laadapparaten van het Akku-Systeem M18 laden. Geen akku's van andere systemen laden.



**WAARSCHUWING!** Dit apparaat heeft een type knoepcel-lithiumbatterij. Een nieuwe of gebruikte batterij kan leiden tot ernstige interne verbrandingen en tot de dood in minder dan twee uur indien ingeslikt of in het lichaam geplaatst. Zet de deksel van het batterijvak altijd goed vast. Als het niet goed sluit, het apparaat stoppen, de batterij verwijderen en buiten bereik van kinderen houden. Als u denkt dat iemand een batterij heeft ingeslikt of op een andere manier in het lichaam heeft geplaatst, direct een arts raadplegen.

## VOORGESCHREVEN GEBRUIK VAN HET SYSTEEM

De haakse slijpmachine is bedoeld voor het slijpen en snijden van metaal-, steen-, beton- en keramische materialen en voor het schuren en borstelen van kabels.

Gebruik bij het zagen de beschermkap uit het accessoire-assortiment.

Neem in twijfelgevallen deaanwijzingen van de toebehorenfabrikant in acht.

Het elektrische gereedschap is alleen geschikt voor de droge bewerking.

Op de haakse slijpmachine mogen uitsluitend geschikte slijp- of snijgeschijven en bijbehorende afschermingen (slijp- of snijbescherming), worden gemonteerd, zoals beschreven in het hoofdstuk productspecificaties van deze handleiding. De haakse slijpmachine is ontworpen voor gebruik met de hand; hij mag niet op een armatuur of werkbank worden gemonteerd.

Gebruik het product op geen andere wijze dan is aangegeven voor het beoogde gebruik.

## RESTERENDE GEVAREN

Ook als de machine volgens de voorschriften gebruikt wordt, kunnen niet alle risico's worden uitgesloten. Let bij het gebruik op de volgende gevaren:

- Door vibraties veroorzaakt letsel. Houd de machine vast aan de daarvoor bedoelde grepen en beperk de tijd die u met de machine werkt en waarin u aan de vibraties wordt blootgesteld.
- Lawaai kan leiden tot gehoorschade. Draag een gehoorbescherming en beperk de tijd waarin u aan het lawaai wordt blootgesteld.
- Door vuildeeltjes veroorzaakt oogletsel. Draag altijd een veiligheidsbril, nauwsluitende, lange broeken, handschoenen en vast schoeisel.
- Inademen van toxische stoffen.

## OPMERKINGEN OVER LI-ION-ACCU'S

### Gebruik van li-ion-accu's

Langere tijd niet toegepaste wisselakku's vóór gebruik altijd naladen.

Een temperatuur boven de 50°C vermindert de capaciteit van de accu. Langdurige verwarming door zon of hitte vermijden. De aansluitkontakten aan het laadapparaat en de accu schoonhouden.

Voor een optimale levensduur moeten de accu's na het gebruik volledig opgeladen worden.

Voor een zo lang mogelijke levensduur van de accu's dienen deze na het opladen uit het laadtoestel te worden verwijderd.

Bij een langere opslag van de accu dan 30 dagen:

accu bij ca. 27 °C droog bewaren.

accu bij ca. 30 % - 50 % van de laadtoestand bewaren.

accu om de 6 maanden opnieuw opladen.

### Overbelastingsbeveiliging voor li-ion-accu's

Bij overbelasting van de accu door zeer hoog stroomverbruik, bijv. extreem hoge draaimomenten, plotseling stoppen of kortsluiting, vibreert het elektrische gereedschap gedurende 5 seconden, de laadweergave knippert en het elektrische gereedschap schakelt automatisch uit.

Om het gereedschap weer in te schakelen, moet u de drukschakelaar loslaten en vervolgens weer inschakelen. Onder extreme belastingen wordt de accu te heet. In dit geval knipperen alle lampen van de laadweergave totdat de accu afgekoeld is. Na het doven van de laadweergave kunt u weer verder werken.

### Transport van lithium-ionen-accu's

Lithium-ionen-accu's vallen onder de wettelijke bepalingen inzake het transport van gevaarlijke goederen.

Voor het transport van deze accu's moeten de lokale, nationale en internationale voorschriften en bepalingen in acht worden genomen.

Verbruikers mogen deze accu's zonder meer over de weg transporteren.

Het commerciële transport van lithium-ionen-accu's door expeditiebedrijven is onderhevig aan de bepalingen inzake het transport van gevaarlijke goederen. De verzendingsvoorbereidingen en het transport mogen uitsluitend worden uitgevoerd door dienovereenkomstig opgeleide personen. Het complete proces moet vakkundig worden begeleid.

Onderstaande punten moeten bij het transport van accu's in acht worden genomen:

Waarborg ter vermindering van kortsluitingen dat de contacten beschermd en geïsoleerd zijn.

Let op dat het accupack in de verpakking niet kan verschuiven. Beschadigde of lekkende accu's mogen niet worden getransporteerd. Neem voor meer informatie contact op met uw expeditiebedrijf.

## ARBEIDSinSTRUCTIES

Bij gebruik van gereedschappen die bedoeld zijn voor wielen met schroefgaten, dient men te controleren dat de schroefdraad in het wiel lang

Doorslijp- en slijpschijven altijd volgens de voorschriften van de fabrikant gebruiken en bewaren.

Bij schuren en doorslijpen altijd met de beschermkap werken.

Gebogen slijpschijven moeten zodanig worden gemonteerd dat het schuuroppervlak niet boven de rand van de veiligheidskap uitsteekt.

De flensmoer moet vóór de ingebruikname van de machine aangetrokken zijn.

Altijd de zijhandgreep gebruiken.

Het te bewerken werkstuk moet vast worden ingespannen als het niet door het eigen gewicht stabiel ligt. Nooit het werkstuk met de hand tegen de schijf houden.

De flensmoer moet vóór inbedrijfstelling van de machine vast aangedraaid zijn. Als het inzetgereedschap met de flensmoer niet vast wordt aangedraaid, kan het zijn dat het insteekgereedschap bij het afremmen de vereiste spankracht verliest.

## BESCHERMING TEGEN OVERBELASTING EN TERUGSLAG

Het apparaat beschikt over een overload- en terugslagbeveiliging en stopt in geval van een dienovereenkomstige overbelasting. Schakel het elektrisch gereedschap uit en opnieuw in om verder te gaan met uw werkzaamheden.

## ZACHTE AANLOOP

De elektronische zachte aanloop zorgt voor een veilig vasthouden van de machine wanneer deze wordt ingeschakeld.

## REMSYSTEEM

De uitlopprem wordt ingeschakeld zodra de AAN/UIT-schakelaar wordt losgelaten. Daardoor wordt de schijf binnen enkele seconden afgeremd.

Leg het gereedschap altijd pas neer nadat het tot stilstand is gekomen.

In vergelijking met gereedschap zonder uitlopprem zal de uitlooptijd aanzienlijk worden verlaagd door te remmen.

## ONE-KEY™

Meer informatie over de ONE-KEY™-functionaliteit van dit gereedschap vindt u in de Quick Start-handleiding die bij dit product is meegeleverd of op <http://www.milwaukeeetool.com/one-key>

Van de App Store of Google Play kunt u de ONE-KEY app downloaden naar uw smartphone.

Storingen die door elektrostatische ontladingen worden veroorzaakt, onderbreken ook de bluetooth-communicatie. In dat geval moet de bluetooth-verbinding handmatig weer tot stand worden gebracht. De testresultaten voldoen aan onze minimumvereisten conform EN 55014-2 / EN 301 489-1 / EN 301 489-17.

## ONDERHOUD

Altijd de lichtspleten van de machine schoonhouden.

## ONDERHOUD

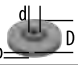
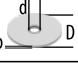


Gebruik uitsluitend Milwaukee toebehoren en onderdelen. Indien componenten die moeten worden vervangen niet zijn beschreven, neem dan contact op met een officieel Milwaukee servicecentrum (zie onze lijst met servicecentra).

Onder vermelding van het nummer op het machineplaatje is desgewenst een doorsnedetekening van de machine verkrijgbaar bij: Techtronic Industries GmbH, Max-Eyth-Straße 10, 71364 Winnenden, Germany.

## SYMBOLLEN

	Graag instructies zorgvuldig doorlezen vóórdat u de machine in gebruik neemt.
	OPGELET! WAARSCHUWING! GEVAAR!
	Voor alle werkzaamheden aan de apparat de accu verwijderen.
	Zorg dat knoopcelbatterijen niet worden ingeslikt!
	De beschermkap niet gebruiken bij doorslijpen.
	Geen kracht uitoefenen.
	Kracht uitoefenen.
	Bij het werken met de machine altijd een veiligheidsbril dragen.
	Draag oorbeschermers.
	Draag derhalve een geschikt stofbeschermsmasker.
	Draag veiligheidshandschoenen!
	Altijd met twee handen gebruiken.
	Alleen voor het schuren.
	Alleen voor het doorslijpen.
	Let op de toegestane schijfdikte.
	Toebehoren - Wordt niet meegeleverd. Is apart leverbaar. Zie hiervoor het toebehorenprogramma.

	Elektrische apparaten, batterijen en accu's mogen niet via het huisafval worden afgevoerd. Elektrische apparaten en accu's moeten gescheiden worden verzameld en voor een milieuvriendelijke afvoer worden afgegeven bij een recyclingbedrijf. Informeer bij uw gemeente of bij uw vakhandelaar naar recyclingbedrijven en inzamelpunten.
<b>n</b>	Nominaal toerental
<b>V</b>	Spanning
	Gelijkstroom
	Europees symbool van overeenstemming
	Brits symbool van overeenstemming
	Oekraïens symbool van overeenstemming
	Euro-Aziatisch symbool van overeenstemming

TEKNISKE DATA		M18 ONEFLAG230XPDB	
Type		Akku vinkelsliber	
Produktionsnummer		4835 68 01 XXXXXX MJJJ	
Udskiftningsbatteriets spænding		18 V =	
Bluetooth-frekvensbånd		2400 - 2483,5 MHz	
Højfrekvenseffekt		2 dBm	
Bluetooth-version		4.2 BT signal mode	
Nominelt omdrejningstal		6600 min <sup>-1</sup>	
Spindelgevind		M14	
D=Slibeskive-Ø maks.		230 mm	
d=borings-Ø		22,2 mm	
	b=Slibeskivetykkelse maks.	8 mm	
	b=Skæreskive tykkelse maks. / min.	3 mm / 1,9 mm	
	D=Slibeskive diameter maks.	230 mm	
	D=Korbørstens diameter maks.	100 mm	
Vægt svarer til EPTA-procedure 01/2014 (Li-Ion 2,0 Ah ... 12,0 Ah)		4,2 ... 5,4 kg	
Anbefalet omgivelsestemperatur til driften		-18 ... +50 °C	
Anbefalede batteripakker		M18B...; M18HB...	
Anbefalede opladere		M12-18...; M1418C6	
<b>Støjinformation:</b> Måleværdier beregnes iht. EN 60745. Værktøjets A-vurderede støjniveau er typisk:			
Lydtrykniveau / Usikkerhed K		88,4 dB (A) / 3 dB (A)	
Lydeffekt niveau / Usikkerhed K		99,4 dB (A) / 3 dB (A)	
<b>Brug høreværn!</b>			
<b>Vibrationsinformation:</b> Samlede vibrationsværdier (værdisum for tre retninger) beregnet iht. EN 60745.			
Vibrationseksponering a <sub>h</sub> / Usikkerhed K			
Overfladeslibning		5,5 m/s <sup>2</sup> / 1,5 m/s <sup>2</sup>	
Slibning med slibeblad		3,2 m/s <sup>2</sup> / 1,5 m/s <sup>2</sup>	
Ved anden anvendelse, f.eks. kapskæring eller slibning med stålrådsbørste, kan andre vibrationsværdier forekomme!			

## ADVARSEL!

Det vibrations- og støjemissionsniveau, der nævnes i dette oplysnings-skema, er blevet målt i overensstemmelse med en standardiseret test fra EN 60745, og det kan bruges til at sammenligne ét værktøj med et andet. Det kan bruges til en foreløbig bedømmelse af eksponeringen.

Det erklærede vibrations- og støjemissionsniveau repræsenterer værktøjets primære anvendelsesformål. Det er dog sådan, at hvis værktøjet bruges til andre formål, med forskellig tilbehør eller dårlig vedligehold, så kan vibrations- og støjemissionen variere. Det kan evt. øge eksponeringsniveauet markant i løbet af det samlede arbejdsrum.

En vurdering af eksponeringsniveauet i ft. vibration og støj bør også tage hensyn til de tidspunkter, hvor værktøjet er slukket eller hvor det kører, men rent faktisk ikke udfører jobbet. Det kan evt. mindske eksponeringsniveauet markant i løbet af det samlede arbejdsrum.

Identificér yderligere sikkerhedsforanstaltninger med henblik på at beskytte brugeren mod effekten af vibration og/eller støj, som fx: vedligehold værktøjet og tilbehøret, hold hænderne varme, organisering af arbejdsmonstre.

**ADVARSEL!** Læs alle sikkerhedsanvisninger og øvrige vejledninger. I tilfælde af manglende overholdelse af advarselshenvisningerne og instrukserne er der risiko for elektrisk stød, brand og/eller alvorlige kvæstelser.

**Opbevar alle advarselshenvisninger og instrukser til senere brug.**

## SIKKERHEDSINFORMATIONER FOR VINKELSLIBER

Fælles advarselshenvisninger til slibning, sandpapirslibning, arbejde med trådbørster, polering og skærearbejde:

a) Dette elværktøj kan anvendes som sliber, sandpapirsliber, trådbørste og skæremaskine. Læs og overhold alle advarsler, instruktioner, illustrationer og data, som du modtager i forbindelse med elværktøjet. Overholder du ikke følgende

instruktioner, kan du få elektrisk stød, der kan opstå brand og/eller du kan blive kvæstet alvorligt.

b) Dette elværktøj er ikke egnet til polering. Anvendes elværktøjet til formål, det ikke er beregnet til, kan der opstå farlige situationer, som kan medføre kvæstelser.

c) Anvend kun tilbehør, hvis det er beregnet til dette elværktøj og anbefalet af fabrikanten. En mulig fastgørelse af tilbehøret til elværktøjet sikrer ikke en sikker anvendelse.

d) Den tilladte hastighed for indsatsværktøjet skal mindst være så høj som den maksimale hastighed, der er angivet på elværktøjet. Tilbehør, der drejer hurtigere end tilladt, kan brække og de enkelte dele flyve fra hinanden.

e) Indsatsværktøjets udvendige diameter og tykkelse skal svare til målene på dit elværktøj. Forkert målt indsatsværktøj kan ikke afskærmes eller kontrolleres tilstrækkeligt.

f) Gevindene på tilbehørsdelene skal passe nøjagtigt til slibespindlens gevind. Ved tilbehørsdele, der monteres med flange, skal borehullet til opspændingsdornen i tilbehørsdelen passe nøjagtigt til lokaliseringsflangens diameter. Tilbehørsdele, der ikke passer på værktøjets monteringsdorn, roterer excentrisk, vibrerer meget kraftigt og kan føre til, at brugeren mister kontrollen over værktøjet.

g) Brug ikke el-værktøjet, hvis det er beskadiget. Kontrollér altid før brug indsatsværktøj som f.eks. slibeskiver for afsplintninger og revner, slibebagskiver for revner, slid eller stærkt slid, trådbørster for løse eller brækkede tråde. Tabes el-værktøjet eller indsatsværktøjet på jorden, skal du kontrollere, om det er beskadiget; anvend evt. et ubeskadiget indsatsværktøj. Når indsatsværktøjet er kontrolleret og indsat, skal du holde dig selv og personer, der befinder sig i nærheden, uden for det niveau, hvor indsatsværktøjet roterer, og lad el-værktøjet køre i et minut ved højeste hastighed. Beskadiget indsatsværktøj brækker for det meste i denne testtid.

h) Brug personligt beskyttelsesudstyr. Brug helmaske til ansigtet, øjenværn eller beskyttelsesbriller, afhængigt af det udførte arbejde. Brug afhængigt af arbejdets art støvmaske, høreværn, beskyttelseshandsker eller specialforklæde, der beskytter dig mod små slibe- og materialepartikler. Øjenene skal beskyttes mod fremmede genstande, der flyver rundt i luften og som opstår i forbindelse med forskelligt arbejde. Støv- eller åndedrætsmaske skal filtrere det støv, der opstår under arbejdet. Udsættes du for høj støj i længere tid, kan du lide høretab.

i) Sørg for tilstrækkelig afstand til andre personer under arbejdet. Enhver, der betræder arbejdsområdet, skal bruge personligt beskyttelsesudstyr. Brudstykker fra emnet eller brækket indsatsværktøj kan flyve væk og føre til kvæstelser også uden for det direkte arbejdsområde.

j) Hold maskinen fast i de isolerede gribeplader, når du udfører arbejde, hvor der er risiko for, at skæreværktøjet kan ramme skjulte strømledninger. Kommer skæreværktøjet i kontakt med en strømførende ledning, kan maskinens metaldele komme under spænding og give elektrisk stød.

k) Læg aldrig elværktøjet fra dig, før indsatsværktøjet er standset helt. Det roterende indsatsværktøj kan komme i kontakt med fralægningsfladen, hvorved du kan tabe kontrollen over elværktøjet.

l) Lad ikke elværktøjet køre, mens det bæres. Dit tøj kan blive fanget ved en tilfældig kontakt med det roterende indsatsværktøj, hvorved indsatsværktøjet kan bore sig ind i din krop.

m) Rengør ventilationsåbningerne på dit el-værktøj med regelmæssige mellemrum. Motorhuset trækker støv ind i huset, og store mængder metalstøv kan være farligt rent elektrisk.

n) Brug ikke el-værktøjet i nærheden af brændbare materialer. Gnister kan sætte ild i materialer.

o) Brug ikke indsatsværktøj, der transporterer flydende kølemiddel. Brug af vand eller andre flydende kølemidler kan føre til elektrisk stød.

## Tilbageslag og tilsvarende advarsler

Tilbageslag er en pludselig reaktion, som skyldes, at et roterende indsatsværktøj (slibemaskine, slibebagskive, trådbørste osv.) har sat sig fast eller blokerer. Fastsættelse eller blokering fører til et pludseligt stop af det roterende indsatsværktøj. Derved accelereres et ukontrolleret el-værktøj mod indsatsværktøjets omgivelsesretning på blokeringsstedet.

Sidder f.eks. en slibeskive fast eller blokerer i et emne, kan kanten på slibeskiven, der dykker ned i emnet, blive siddende, hvorved slibeskiven brækker af eller fører til et tilbageslag. Slibeskiven bevæger sig så hen imod eller væk fra betjeningspersonen, afhængigt af skivens drejeretning på blokeringsstedet. Derved kan slibeskiver også brække.

Et tilbageslag skyldes forkert eller fejlbehæftet brug af el-værktøjet. Det kan forhindres ved at træffe egnede forsigtighedsforanstaltninger, der beskrives i det følgende.

a) Hold godt fast i el-værktøjet og sørg for at både krop og arme befinder sig i en position, der kan klare tilbageslagskræfterne. Anvend altid ekstrahåndtaget, hvis et sådant findes, for at have så meget kontrol som muligt over tilbageslagskræfterne eller reaktionsmomenterne, når maskinen kører op i hastighed. Betjeningspersonen kan beherske tilbageslags- og reaktionskræfterne med egnede forsigtighedsforanstaltninger.

b) Sørg for at din hånd aldrig kommer i nærheden af det roterende indsatsværktøj. Tilbehør kan evt. springe tilbage på din hånd.

c) Undgå at din krop befinder sig i det område, hvor el-værktøjet bevæger sig i forbindelse med et tilbageslag. Tilbageslaget driver elværktøjet i modsat retning af slibeskivens bevægelse på blokeringsstedet.

d) Arbejd særlig forsigtig i områder som f.eks. hjørner, skarpe kanter osv. Forhindre at indsatsværktøjet slår tilbage fra emnet og sætter sig fast. Det roterende indsatsværktøj har tendens til at sætte sig fast, når det anvendes i hjørner, skarpe kanter eller hvis det springer tilbage. Dette medfører, at man taber kontrollen over tilbageslaget.

e) Anvend ikke en kædesavklinge eller en tandet savklinge. Et sådant indsatsværktøj fører ofte til et tilbageslag eller at man mister kontrollen over elværktøjet.

## Særlige advarselshenvisninger til slibning og skærearbejde

a) Brug udelukkende slibeskiver/slibestifter, der er godkendt til dit elværktøj, og den beskyttelseskappe, der er beregnet til disse slibeskiver/slibestifter. Slibeskiver/slibestifter, der ikke er beregnet til el-værktøjet, kan ikke beskyttes tilstrækkeligt og er usikre.

b) Forkrøpede slibeskiver skal monteres sådan, at deres slibeflade ikke rager ud over niveauet på beskyttelsesskærmens kant. En ukorrekt monteret slibeskive, der rager ud over niveauet på beskyttelsesskærmens kant, kan ikke afskærmes tilstrækkeligt.

c) Anvend altid beskyttelseskappen, der er beregnet til den anvendte type slibeskiver/slibestifter. Beskyttelseskappen skal være anbragt sikkert på elværktøjet og være indstillet på en sådan måde, at der nås max. sikkerhed, dvs. at den mindst mulige del af slibeskiven skal pege hen imod betjeningspersonen. Skærmen hjælper med at beskytte operatøren mod adslagne klingede dele, kontakt med klingens ved et uheld og gnister, som kan sætte tøj i brand.

d) Slibeskiver/slibestifter må kun anvendes til de anbefalede formål. F.eks.: Slib aldrig med sidefladen på en skæreskive. Skæreskiver er bestemt til materialeafslibning med kanten på skiven. Udsættes disse slibeskiver/slibestifter for sidevendt kraftpåvirkning, kan de adslæges.

e) Anvend altid ubeskadigede spændeflanger i den rigtige størrelse og form, der passer til den valgte slibeskive. Egnede flanger støtter slibeskiven og forringer således faren for brud på slibeskiven. Flanger til skæreskiver kan være forskellige fra flanger for andre slibeskiver.

f) Brug ikke slidte slibeskiver, der passer til større elværktøj. Slibeskiver til større elværktøj kan brække, da de ikke er egnede til de højere omdrejningstal, som småt elværktøj arbejder med.




## Yderligere særlige advarselshenvisninger til skærearbejde


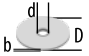

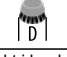
a) Undgå at skæreskiven blokerer eller får for højt modtryk. Foretag ikke meget dybe snit. Overbelastes skæreskiven, øges skivens belastning og der er større tendens til, at skiven kan sætte sig i klemme eller blokere, hvilket igen kan føre til tilbageslag eller brud på slibeskiven/slibestiften.

b) Undgå området for og bag ved den roterende skæreskive. Bevæger du skæreskiven i emnet væk fra dig selv, kan elværktøjets roterende skive slynge direkte ind mod dig i tilfælde af et tilbageslag.

c) Sidder skæreskiven i klemme eller afbryder du arbejdet, slukkes elværktøjet og maskinen holdes roligt, til skiven er stoppet. Forsøg aldrig at trække skæreskiven ud af snittet, mens den roterer, da dette kan føre til et tilbageslag. Lokalisér og afhjælp fejlen.



	Tilbehør - Ikke inkludert i leveringsomfanget, kab kjøpes som tilbehør.
	Elektrisk utstyr eller (genopladelige) batterier må ikke bortskaffes sammen med det almindelige husholdningsaffald. Elektrisk utstyr og genopladelige batterier skal indsamles særskilt og afleveres hos en genbrugsvirksomhed til en miljømæssig forsvarlig bortskaffelse. Spørg de lokale myndigheder eller din forhandler om genbrugsstationer og indsamlingssteder til sådant affald.
<b>n</b>	Nominelt omdrejningstal
<b>V</b>	Spænding
	Jævnstrøm
	Europæisk konformitetsmærke
	Britisk konformitetsmærke
	Ukrainsk konformitetsmærke
	Eurasisk konformitetsmærke

TEKNISKE DATA	M18 ONEFLAG230XPDB
Type	Batteridrevne vinkelsliper
Produksjonsnummer	4835 68 01 XXXXXX MJJJJ
Spenning vekselbatteri	18 V $\equiv$
Bluetooth-Frekvensbånd (Frekvensbånd)	2400 - 2483,5 MHz
Høyfrekvens ytelse	2 dBm
Bluetooth-versjon	4.2 BT signal mode
Nominelt turtall	6600 min <sup>-1</sup>
Spindelgjenge	M14
D=slipeskive-Ø maks.	230 mm
d=hull-Ø	22,2 mm
 b=Slipeskivetykkelse maks.	8 mm
 b=Tykkelse av kappeskiver. maks. / minimum	3 mm / 1,9 mm
 D=Diameter på slipeskiven maks.	230 mm
 D=Stålbørster-Ø maks.	100 mm
Vekt i henhold til EPTA-Prosedyren 01/2014 (Li-Ion 2,0 Ah ... 12,0 Ah)	4,2 ... 5,4 kg
Anbefalt omgivelsestemperatur for drift	-18 ... +50 °C
Anbefalte batteripakker	M18B...; M18HB...
Anbefalte ladere	M12-18...; M1418C6

**Støyinformasjon:** Måleverdier fastslått i samsvar med EN 60745.

Det typiske A-bedømte støynivået for maskinen er:

Lydtrykknivå / Usikkerhet K	88,4 dB (A) / 3 dB (A)
Lydeffektnivå / Usikkerhet K	99,4 dB (A) / 3 dB (A)

#### Bruk hørselsvern!

**Vibrasjonsinformasjoner:** Totale svingningsverdier (vektorsum fra tre retninger) beregnet jf. EN 60745.

Svingningsemissjonsverdi  $a_n$  / Usikkerhet K

Sliping av overflater	5,5 m/s <sup>2</sup> / 1,5 m/s <sup>2</sup>
Sliping med slipeblad	3,2 m/s <sup>2</sup> / 1,5 m/s <sup>2</sup>

Ved andre anvendelser, som f.eks. kutting eller sliping med stålbørste, kan andre vibrasjonsverdier oppstås!


#### ADVARSEL!

De angitte vibrasjonseksponering- og støynivåverdiene har blitt målt i samsvar med standardiserte målemetoder jmfør EN 60745 og kan brukes til å sammenligne et verktøy med et annet. De kan brukes til en foreløpig eksponeringsvurdering.

De angitte vibrasjonseksponering- og støyemisjonsverdiene gjelder for vanlig bruk av verktøyet. Dersom verktøyet blir brukt til noe annet, sammen med annet utstyr eller er dårlig vedlikeholdt kan de angitte vibrasjonseksponering- og støyeverdiene variere. Dette kan øke eksponerings- og emisjonsverdiene betraktelig for hele perioden du bruker verktøyet.

Når en vurderer vibrasjonseksponeringsnivået og støyeverdi må en inkludere den perioden som verktøyet er slått av eller når verktøyet går, men ikke direkte brukes til noe. Dette kan redusere eksponeringsnivået betraktelig over hele perioden som verktøyet er i bruk.

Det er viktig å etablere ytterligere sikkerhetsiltak for å beskytte brukeren mot påvirkning av vibrasjon og/eller støy, slik som: vedlikehold av verktøyet og tilleggsutstyr, hold hendene varme, organiserte arbeidsrutiner.

** ADVARSEL!** Les alle sikkerhetsinstruksjoner og bruksanvisninger. Feil ved overholdelsen av advarslene og nedenstående anvisninger kan medføre elektriske støt, brann og/eller alvorlige skader.

**Ta godt vare på alle advarslene og informasjonene.**

#### SIKKERHETSINSTRUKSJONER FOR VINKELSLIPER

Felles advarsler om sliping, sandpapisliping, arbeid med stålbørster, polering og kapping:

a) Dette elektroverktøyet skal brukes som sliper, sandpapisliper, stålbørste og kuttessliper. Følg alle advarsler, anvisninger, bilder og data som du får levert sammen med elektroverktøyet.

Hvis du ikke følger følgende anvisninger, kan det oppstå elektriske støt, ild og/eller store skader.

b) Dette elektroverktøyet er ikke egnet til polering. Bruk som elektroverktøyet ikke er konstruert for, kan forårsake farer og skader.

c) Ikke bruk tilbehør som ikke er spesielt beregnet og anbefalt av produsenten for dette elektroverktøyet. Selv om du kan feste tilbehøret på elektroverktøyet ditt, garanterer dette ingen sikker bruk.

d) Det tillatte omdreiningstallet til elektroverktøyet må være minst så høyt som det maksimale omdreiningstallet som er oppgitt på elektroverktøyet. Tilbehør som dreier seg raskere enn tillatt kan brenne og slynges rundt.





Følgende punkter skal tas hensyn til ved transport:

Kontroller at kontaktene er beskyttet og isolert for å unngå kortslutninger.

Pass på at batteripakken i forpakningen ikke kan skli fram og tilbake. Skadede eller batterier som lekker er det ikke lov å transportere. Ta kontakt med spedisjonsfirma for ytterligere henvisninger.

#### ARBEIDSSINSTRUKSJONER

For verktøy som skal tilpasses hjul med gjengete hull, påse at gjengen i hjulet er langt nok til spindelengden.

Bruk og oppbevar kappe- og slipeskiver alltid i henhold til produsentens anvisninger.

Arbeide alltid med vemedeksel ved rubbing og kapping.

Bøyde slipeskiver skal monteres slik at slipeflaten ikke rager ut over kanten av vernehettens flate.

Flensmutteren må være trukket til før maskinen startes.

Bruk alltid ekstrahåndtaket.

Det emnet som skal bearbeides må være fastspent, hvis det ikke blir holdt av sin egen vekt. Før aldri emnet med hånden mot skiven.

Flensmutteren må skrues skikkelig fast før maskinen igangsettes.

Dersom isettingsverktøyet ikke skrues fast med flensmutteren, består muligheten at isettingsverktøyet taper den nødvendige spennkraften ved nedbremsingen.

#### BESKYTTELSE MOT OVERBELASTNING OG KAST

Apparatet har en overlastnings- og Anti-Kickback vernefunksjon og stopper ved tilsvarende overvekt. Skru av elektroverktøyet og skru det så på igjen for å fortsette med jobben.

#### LETTOPPSTARTING

Gjennom elektronisk lettoppstart aksellerer maskinen kontinuerlig til det som er blitt valgt

#### BREMSESYSTEM

Bremsen kobles inn når startbryteren slippes og fører til at verktøyet stanser innen få sekunder.

Forsikre deg om at verktøyet har stanset helt før du legger det fra deg.

Sammenlignet med verktøy uten kjørebremser, reduseres kjøretiden betraktelig når du bremses.

#### ONE-KEY™

Mer informasjon om ONE-KEY funksjonaliteten for denne enheten finner du i Quick Start guiden som er vedlagt dette produktet eller gå til <http://www.milwaukeetool.com/one-key>

Du kan også laste ned vår ONE-Key app til din smarttelefon fra App Store eller Google Play.

Forstyrrelser forårsaket av elektrostatisk utlading fører også avbrudd av Bluetooth-tilkoblingen. I slike tilfeller må Bluetooth-forbindelsen gjenopprettes manuelt. Testresultatene oppfyller våre minimumskrav i henhold til EN 55014-2 / EN 301 489-1 / EN 301 489-17.

#### RENGJØRING

Hold alltid lufteåpningene på maskinen rene.

#### VEDLIKEHOLD

Bruk kun Milwaukee tilbehør og Milwaukee reservedeler.

Komponenter der utskifting ikke er beskrevet skal skiftes ut hos Milwaukee kundeservice (se brosjyre garanti/kundeserviceadresser).

Ved behov kan du be om en eksplosjonstegning av apparatet hos din kundeservice eller direkte hos

Techtronic Industries GmbH, Max-Eyth-Straße 10, 71364 Winnenden, Germany. Oppgi maskintype og det nummeret på typeskiltet.

#### SYMBOLER



Les nøye gjennom bruksanvisningen før maskinen tas i bruk.



OBS! ADVARSEL! FARE!



Ta ut vekselbatteriet før du arbeider på maskinen



Knoppcellebatteriet må ikke svelges!



Ikke bruk beskyttelsen til avskjæringsoperasjoner.



Ikke bruk kraft.



Bruk makt.



Bruk alltid vernebrille når du arbeider med maskinen.



Bruk hørselsvern.



Bruk derfor vernemaske som er egnet for støv.



Bruk vernehansker!



Bruk alltid to hender.



Kun for sliping.



Kun for kapping.



Vær oppmerksom på tillatt platetykkelse.



Tilbehør - inngår ikke i leveransen, anbefalt komplette- ring fra tilbehørsprogrammet.



Elektriske apparater, batterier/oppladbare batterier skal ikke kastes sammen med vanlig husholdningsavfall. Elektriske og elektroniske apparater og oppladbare batterier skal samles separat og leveres til miljøvennlig deponering hos en avfallsbedrift. Informer deg hos myndighetene på stedet eller hos din fagforhandler hvor det finnes recycling bedrifter og oppsamlingssteder.

n

Nominelt turtall

V

Spenning



Likestrøm



Europeisk samsvarsmerke



Britisk samsvarsmerke



Ukrainsk samsvarsmerke

001







Euroasiatisk samsvarsmerke





	Elektriska maskiner, batterier/uppladdningsbara batterier och får inte slängas tillsammans med de vanliga hushållssoporna. Elektriska maskiner och uppladdningsbara batterier ska samlas separat och lämnas till en avfallsstation för miljövänlig avfallshantering. Kontakta den lokala myndigheten respektive kommunen eller fråga återförsäljare var det finns speciella avfallsstationer för elskrot.
<b>n</b>	Märkvarvtal
<b>V</b>	Spänning
	Likström
	Europeiskt konformitetsmärke
	Britiskt konformitetsmärke
	Ukrainskt konformitetsmärke
	Euroasiatiskt konformitetsmärke

TEKNISET ARVOT	M18 ONEFLAG230XPDB
Tyyppi	Akkukulmahiomakone
Tuotantonumero	4835 68 01 XXXXXX MJJJJ
Jännite vaihtoakku	18 V $\equiv$
Bluetooth-taajuus (taajuudet)	2400 - 2483,5 MHz
Suurin suurtaajuusteho	2 dBm
Bluetooth-versio	4.2 BT signal mode
Nimellinen kierrosluku	6600 min <sup>-1</sup>
Karan kierre	M14
D=Hiomalaikan Ø maks.	230 mm
d=porausreikä-Ø	22,2 mm
 b=Hiomalaikan paksuus maks.	8 mm
 b=Katkaisulaikan paksuus maks. / min.	3 mm / 1,9 mm
 D=Hiomalaikan halkaisija maks.	230 mm
 D=Kupparharjan Ø maks.	100 mm
Paino EPTA-menetellyn 01/2014 mukaan (Li-Ion 2,0 Ah ... 12,0 Ah)	4,2 ... 5,4 kg
Suosittelun ympäristön lämpötila käytön aikana	-18 ... +50 °C
Suosittelut akkusarjat	M18B...; M18HB...
Suosittelut latauslaitteet	M12-18...; M1418C6

**Melunpäästö tiedot:** Mitta-arvot määritetty EN 60745 mukaan.

Koneen tyyppilinen A-luokitettu melutaso:

Melutaso / Epävarmuus K	88,4 dB (A) / 3 dB (A)
Äänenvoimakkuus / Epävarmuus K	99,4 dB (A) / 3 dB (A)

**Käytä kuulosuojaimia!**

**Tärinä tiedot:** Värähtelyn yhteisarvot (kolmen suunnan vektorisummitattuna EN 60745 mukaan).

Värähtelyemissioarvo  $a_n$  / Epävarmuus K

Pintahionta	5,5 m/s <sup>2</sup> / 1,5 m/s <sup>2</sup>
Hionta hiomapaperilla	3,2 m/s <sup>2</sup> / 1,5 m/s <sup>2</sup>

Muilla käyttötaivoilla, esim. katkaisussa tai teräslankaharjalla hiottaessa, saattaa esiintyä muunlaisia tärinäarvoja!


## VAROITUS!

Tässä tiedotteessa ilmoitettu (ilmoitetut) tärinä- ja melupäästöarvo(t) on mitattu standardisoidulla testimenetelmällä SFS-EN 60745 mukaisesti ja sitä voidaan käyttää työkalun vertailumiseen toisen työkalun kanssa. Sitä voidaan käyttää alustavaan altistuksen arviointiin.

Ilmoitettu tärinä- ja melupäästöarvo koskee työkalun pääkäyttötarkoituksia. Jos kuitenkin työkalua käytetään eri käyttötarkoituksiin eri varusteiden kanssa tai huonosti huollettuna, voi tärinä- ja melupäästö erota ilmoitetusta. Tämä voi merkittävästi nostaa altistumistasoa koko työskentelyjakson ajaksi.

Arvioidussa tärinä- ja meluallistustasossa tulisi ottaa huomioon myös työkalun sammutuskerrat tai sen tyhjäkäynti. Tämä voi merkittävästi laskea altistumistasoa koko työskentelyjakson ajaksi.

Tunnista esimerkiksi seuraavat lisävarusteet, joilla voidaan suojata käyttäjää tärinän ja/tai melun vaikutuksilta: työkalun ja varusteiden ylläpito, käsien lämpimänä pito, työnkulun organisointi.

** VAROITUS!** Lue kaikki, myös annetut turvallisuusmääräykset ja käyttöohjeet. Turvallisuusohjeiden noudattamisen laiminlyönti saattaa johtaa sähköiskuun, tulipaloon ja/ tai vakavaan loukkaantumiseen.

**Säilytä kaikki turvallisuus- ja muut ohjeet tulevaisuutta varten.**

## **KULMAHIOMAKONEEN TURVALLISUUSMÄÄRÄYKSET**

**Yhteiset turvallisuusohjeet hiomista, hiekkapaperihiomista, työskentelyä teräsharjan kanssa, kiillotusta ja katkaisuhiontaa varten:**

**a) Tätä sähkötyökalua tulee käyttää hiomakoneena, hiekkapaperihiomakoneena, teräsharja- ja katkaisuhiomakoneena. Ota huomioon kaikki varoohjeet, ohjeet, piirustukset ja tiedot, joita saat sähkötyökalun kanssa.**

Ellet noudata seuraavia ohjeita, saattaa se johtaa sähköiskuun, tulipaloon ja/tai vaikeisiin loukkaantumisiin.

**b) Tämä sähkötyökalu ei sovellu kiillottamiseen.** Sellainen käyttö, jota varten sähkötyökalua ei ole tehty, saattaa aiheuttaa vaaratilanteita ja vammoja.

**c) Älä käytä mitään lisälaitteita, joita ei valmistaja ole tarkoittanut tai suositellut nimenomaan tälle sähkötyökalulle.** Vain se, että pystyt kiinnittämään laitetta sähkötyökaluusi ei takaa sen turvallista käyttöä.

**d) Käyttötyökalun sallitun kierrosluvun täytyy olla vähintään yhtä korkea kuin sähkötyökalulla ilmoitettu korkein kierrosluku.** Sallittua nopeammin pyörivät lisävarusteet voivat rikkoutua ja lentää ympäriinsä.



Kaupallisessa kuljetuksessa huolintaliikkeiden täytyy kuljettaa litiumioniakkuja vaarallisten aineiden kuljetuksesta annettujen määräysten mukaisesti. Alnoastaan tähän vastaavasti koulutetut henkilöt saavat suorittaa kuljetuksen valmistelutoimet ja itse kuljetuksen. Koko prosessia tulee valvoa asiantuntevasti.

Seuraavat kohdat tulee huomioida akkuja kuljetettaessa:

Varmista, että akkujen kontaktit on suojattu ja eristetty, jotta vältetään lyhytsulut.

Huolehdi siitä, ettei akkusarja voi luiskahtaa paikaltaan pakkauksen sisällä. Vahingoittuneita tai vuotavia akkuja ei saa kuljettaa. Pyydä tarkemmat tiedot huolintaliikkeeltäsi.

#### TYÖSKENTELYOHJEITA

Varmista sellaisissa työkaluissa, joihin on tarkoitus kiinnittää kierteisreikäinen laikka, että laikan kierre on riittävän pitkä sopimaan karan pituuteen.

Käytä ja säilytä katkaisuja- ja hiomalaikat aina valmistajan ohjeiden mukaan.

Rouhehionta- ja katkaisutyössä on aina käytettävä laikan suojakuvua.

Taivutetut hiomalaikat täytyy asentaa niin, ettei niiden hiomapinta ulotu suojakuvun reunatason ulkopuolelle.

Laippamutterin on oltava kunnolla kiristetty ennen koneen käyttöönottoa.

Käytä aina lisäkädensijaa.

Työstettävä kappale on kiinnitettävä, ellei se omapainonsa vuoksi pysy paikallaan. Älä koskaan vie työkalua kädelläsi hiomalaikkaa vasten.

Laipan mutteri täytyy kiristää tiukkaan ennen koneen käyttöönottoa. Jos käytetty työkalua ei kiristetä tiukkaan laippamutterilla, on mahdollista, että työkalu menettää jarrutettaessa tarvittavan kiinnitystehon.

#### YLIKUORMITUS- JA TAKAISUSUOJA

Laite on varustettu ylikuormitusuojauksella ja takapotkunestotoiminnolla ja pysähtyy, jos sitä rasitetaan liikaa. Kytke sähkötyökalu pois päältä ja sitten takaisin päälle jatkaaksesi työskentelyä.

#### PEHMEÄKÄYNNISTYKSEN

Elektronisen pehmeäkäynnistyksen vuoksi kone kiihtyy jatkuvasti kunnes ennalla valittu nopeus on saavutettu

#### JARRUTUSJÄRJESTELMÄ

Käyntijarru aktivoituu, kun virtakytkin vapautetaan pysäyttäen työkalun sekunneissa.

Varmista, että kiinnitystyökalu on täysin pysähtynyt ennen kuin lasket sen alas.

Verrattuna käyntijarruttomiin työkaluihin lyhenee käyntiaika huomattavasti jarruttamalla.

#### ONE-KEY™

Lue mukana toimitettu pikakäyttöohje tai käy verkossa sivulla <http://www.milwaukeetool.com/one-key> tutustuaksesi tämän laitteen ONE-KEY-toiminnallisuuteen.

Voit ladata ONE-KEY-sovelluksen App Storen tai Google Playn kautta älypuhelimellesi.

Sähköstaattisten purkausten aiheuttamat häiriöt johtavat myös bluetooth-yhteyden katkeamiseen. Siinä tapauksessa Bluetooth-yhteys täytyy luoda uudelleen manuaalisesti. Koestustulokset täyttävät standardien EN 55014-2 / EN 301 489-1 / EN 301 489-17 mukaiset vähimmäisvaatimuksemme.

#### PUHDISTUS

Pidä moottorin ilmanottoaukot puhtaina.

#### HUOLTO

Käytä ainoastaan Milwaukee lisätarvikkeita ja Milwaukee varaosia. Mikäli jokin komponentti, jota ei ole kuvailtu, tarvitsee vaihtoa ota yhteys johonkin Milwaukee palvelupisteistä (Kts. listamme takuuhuolintaliikkeiden/ palvelupisteiden osoitteista)

Tarpeen vaatiessa voit pyytää lähettämään laitteen kokoonpanopiirustuksen ilmoittamalla arvokilven numeron seuraavasta osoitteesta: Techtronic Industries GmbH, Max-Eyth-Straße 10, 71364 Winnenden, Germany.

#### SYMBOLIT

	Lue käyttöohjeet huolellisesti, ennen koneen käynnistämistä.
	HUOMIO! VAROITUS! VAARA!
	Ota akku pois ennen kaikkia koneeseen tehtäviä toimenpiteitä.
	Nappiparistoa ei saa nielaista!
	Älä käytä suojusta leikkaamiseen.
	Älä käytä väkivoimaa.
	Käytä voimaa.
	Käytä laitteella työskennellessäsi aina suojalaseja.
	Käytä korvasuojia.
	Koneella työskennellessä on käytettävä sopivaa suojainta.
	Käytä suojakäsineitä!
	Käytä laitetta aina kahdella kädellä.
	Vain hiontatöihin.
	Vain katkaisutöihin.
	Huomioi sallittu laikan paksuus.



Lisälaite - Ei sisälly vakiovarustukseen, saatavana lisätarvikkeena.



Sähkölaitteita, paristoja/akkuja ei saa hävittää yhdessä kotitalousjätteiden kanssa. Sähkölaitteet ja akut tulee kerätä erikseen ja toimittaa kierrätysliik- keeseen ympäristöystävällistä hävittämistä varten. Pyydä paikallisilta viranomaisilta tai alan kauppiailtasi tarkemmat tiedot kierrätyspisteistä ja keräyspaikoista.

**n**

Nimellinen kierros-luku

**v**

Jännite



Tasavirta



Euroopan säännönmukaisuusmerkki



Britannian säännönmukaisuusmerkki



Ukrainan säännönmukaisuusmerkki



Euraasian säännönmukaisuusmerkki







## ΜΑΛΑΚΟ ΕΝΑΡΞΗ

Το ηλεκτρονικό σύστημα αυξάνει ομαλά τον αριθμό στροφών ώστε να αποφευχθεί μια απότομη εκκίνηση της μηχανής και να διασφαλισθεί ο σίγουρος χειρισμός της.

## ΣΥΣΤΗΜΑ ΦΡΕΝΑΡΙΣΜΑΤΟΣ

Η πέδη αδραναίως συμπλέκεται, όταν η σκανδάλη απελευθερώνεται, με αποτέλεσμα το εργαλείο να σταματά σε δευτερόλεπτα.

Βεβαιωθείτε ότι το εργαλείο εισαγωγής ακινητοποιείται πλήρως πριν το αποθέσετε στο έδαφος.

Σε σύγκριση με εργαλεία χωρίς πέδη αδραναίως, ο χρόνος αδραναίως θα είναι σημαντικά μειωμένος με την πέδηση.

## ONE-KEY™

Προκειμένου να μάθετε περισσότερα για τη λειτουργικότητα ONE-KEY της εν λόγω συσκευής, διαβάστε τον επισυναπτόμενο οδηγό γρήγορης εκκίνησης ή επισκεφτείτε τη σελίδα μας στο Διαδίκτυο <http://www.milwaukeeetool.com/one-key>

Μπορείτε να κατεβάσετε την εφαρμογή ONE-KEY στο Smartphone σας από το App Store ή το Google Play.

Μέσω παρεμβολών που οφείλονται σε ηλεκτροστατικές εκκενώσεις, διακόπεται και η τηλεπικοινωνία Bluetooth. Σε αυτή την περίπτωση πρέπει να γίνεται η σύνδεση Bluetooth χειροκίνητα. Τα αποτελέσματα δοκιμής εκπληρώνουν τις ελάχιστες απαιτήσεις μας σύμφωνα με EN 55014-2 / EN 301 489-1 / EN 301 489-17.

## ΣΥΝΤΗΡΗΣΗ ΚΑΙ ΚΑΘΑΡΙΣΜΟΣ

Διατηρείτε πάντοτε τις σχισμές εξερισμού της μηχανής καθαρές.

## ΣΥΝΤΗΡΗΣΗ

Χρησιμοποιείτε μόνο αξεσουάρ Milwaukee και ανταλλακτικά Milwaukee. Εξαρτήματα, που η αλλαγή τους δεν περιγράφεται, αντικαθίστανται σε μια τεχνική υποστήριξη της Milwaukee (βλέπε φυλλάδιο εγγύηση/ διευθύνσεις τεχνικής υποστήριξης).

Όταν χρειάζεται, μπορείτε να ζητήσετε ένα σχέδιο συναρμολόγησης της συσκευής, δίνοντας τον τύπο της μηχανής και αριθμό στην πινακίδα ισχύος, από το κέντρο σέρβις ή απευθείας από τη firma Techtronic Industries GmbH, Max-Eyth-Straße 10, 71364 Winnenden, Germany.

## ΣΥΜΒΟΛΑ

	Παρακαλώ διαβάστε σχολαστικά τις οδηγίες χρήσης πριν από την έναρξη λειτουργίας.
	ΠΡΟΣΟΧΗ! ΠΡΟΕΙΔΟΠΟΙΗΣΗ! ΚΙΝΔΥΝΟΣ!
	Πριν από κάθε εργασία στη μηχανή αφαιρείτε την ανταλλακτική μπαταρία.
	Μη καταπίνετε την μπαταρία-κουμπί!
	Μην χρησιμοποιείτε τον προφυλακτήρα για εργασίες κοπής.
	Μην βάζετε δύναμη.
	Εφαρμόστε δύναμη.

	Στις εργασίες με τη μηχανή φοράτε πάντοτε προστατευτικά γυαλιά.
	Φοράτε ωτοασπίδες.
	Να φοράτε κατάλληλη μάσκα προστασίας από σκόνη.
	Να φοράτε προστατευτικά γάντια!
	Χρησιμοποιείτε πάντα και τα δύο χέρια για τον χειρισμό.
	Μόνο για εργασίες λείανσης.
	Μόνο για εργασίες κοπής.
	Λάβετε υπόψη το επιτρεπόμενο πάχος δίσκου.
	Εξαρτήματα - Δεν περιλαμβάνονται στα υλικά παράδοσης, συνιστούμενη προσθήκη από το πρόγραμμα εξαρτημάτων.
	Ηλεκτρικά μηχανήματα, μπαταρίες/συσσωρευτές δεν επιτρέπεται να απορρίπτονται μαζί με τα οικιακά απορρίμματα. Ηλεκτρικά μηχανήματα και συσσωρευτές συλλέγονται ξεχωριστά και παραδίδονται προς ανακύκλωση με τρόπο φιλικό προς το περιβάλλον σε επιχείρηση επεξεργασίας απορριμμάτων. Ενημερωθείτε από τις τοπικές υπηρεσίες ή από ειδικευμένους εμπόρους σχετικά με κέντρα ανακύκλωσης και συλλογής απορριμμάτων.
	n Ονομαστικός αριθμός στροφών
	v Τάση
	Συνεχές ρεύμα
	Ευρωπαϊκό σήμα πιστότητας
	Βρετανικό σήμα πιστότητας
	Ουκρανικό σήμα πιστότητας
	Ευρασιατικό σήμα πιστότητας

## ΤΕΧΝΙΚ VERILER

	M18 ONEFLAG230XPDB
Modeli	Akü açtışlama aleti
Üretim numarası	4835 68 01 XXXXXX MJJJJ
Kartuş akü gerilimi	18 V =
Bluetooth frekans bandı (frekans bantları)	2400 - 2483,5 MHz
Yüksek frekans gücü	2 dBm
Bluetooth sürümü	4.2 BT signal mode
Devir sayısı	6600 min <sup>-1</sup>
Mil dişi	M14
D=taşlama diski çapı Maks.	230 mm
d=Delik ø	22,2 mm
	b=Ταşlama diski kalınlığı Maks. 8 mm
	b=Kesme diski kalınlığı Maks. / Min. 3 mm / 1,9 mm
	D=Zımparalama diski çapı Maks. 230 mm
	D=Saçaklı çanak fırça çapı Maks. 100 mm
Ağırlığı ise EPTA-üretici 01/2014'e göre (Li-Ion 2,0 Ah ... 12,0 Ah)	4,2 ... 5,4 kg
Çalıştırılması için tavsiye edilen ortam sıcaklığı	-18 ... +50 °C
Tavsiye edilen güç paketleri	M18B...; M18HB...
Tavsiye edilen şarj aletleri	M12-18...; M1418C6
<b>Gürültü bilgileri:</b> Ölçüm değerleri EN 60745 e göre belirlenmektedir. Aletin, frekansa bağımlı uluslararası ses basıncı seviyesi değerlendirme eğrisi A'ya göre tipik gürültü seviyesi:	
Ses basıncı seviyesi / Tolerans K	88,4 dB (A) / 3 dB (A)
Akustik kapasite seviyesi / Tolerans K	99,4 dB (A) / 3 dB (A)
<b>Koruyucu kulaklık kullanın!</b>	
<b>Vibrasyon bilgileri:</b> Toplam titreşim değeri (üç yönün vektör toplamı) EN 60745'e göre belirlenmektedir.	
titreşim emisyon değeri a <sub>n</sub> / Tolerans K	
Üst yüzey taşlaması	5,5 m/s <sup>2</sup> / 1,5 m/s <sup>2</sup>
Zımpara kağıdı ile taşlama	3,2 m/s <sup>2</sup> / 1,5 m/s <sup>2</sup>

Diğer uygulamalarda, örneğin çelik tel fırça ile ayırarak taşlama veya taşlama işleminde başka vibrasyon değerleri ortaya çıkabilir!

## ⚠ UYARI!

Bu bilgi formunda belirtilen titreşim ve gürültü düzeyi EN 60745 uyarınca standart bir test yöntemine göre ölçülmüş olup, bir aleti diğeriyeye karşılaştırmak için kullanılabilir. Bir maruz kalma ön değerlendirmesi için de kullanılabilir.

Bayan edilmiş titreşim ve gürültü emisyon değeri aletin ana uygulamalarını temsil eder. Ancak, alet farklı uygulamalar için veya farklı aksesuarla kullanılır ya da aletin bakımı yetersiz yapılırsa, titreşim ve gürültü emisyonu farklılık gösterebilir. Bu, toplam çalışma süresi boyunca maruz kalma seviyesini önemli ölçüde artırabilir.

Titreşim ve gürültüye maruz kalma seviyesi tahmininde, aletin kapalı olduğu veya çalıştığı, ancak aslında işini yapmadığı süreler de göz önünde bulundurulmalıdır. Bu, toplam çalışma süresi boyunca maruz kalma seviyesini önemli ölçüde azaltabilir.

Operatörü titreşim ve/veya gürültünün etkilerinden korumak için, aletin ve aksesuarların bakımını yapmak, elleri sıcak tutmak ve çalışma biçimlerini düzenlemek gibi ilave güvenlik önlemleri belirleyin.

**⚠ UYARI!** Güvenlikle ilgili bütün açıklamaları. Açıklanan uyarılara ve talimat hükümlerine uyulmadığı takdirde elektrik çarpmalarına, yangınlara ve/veya ağır yaralanmalara neden olunabilir.

**Bütün uyanları ve talimat hükümlerini ileride kullanmak üzere saklayın.**

## AÇILI TAŞLAYICI İÇİN GÜVENLİK UYARILARI

**Taşlama, kumlu zımpara kağıdı ile zımparalama, tel fırça ile taşlama, polisaj ve kesici taşlama işleri için müşteriye uyarılar:**

**a) Bu elektrikli el aleti taşlama, kumlu zımpara kağıdı ile zımparalama kesici taşlama olarak kullanılmak üzere**

**geliştirilmiştir. Elektrikli el aleti ile birlikte teslim edilen bütün uyarılara, talimata, şekillere ve verilere uyun hareket edin.** Aşağıdaki talimat hükümlerine uymadığınız takdirde elektrik çarpması, yangın veya ağır yaralanma tehlikesi ile karşılaşabilirsiniz.

**b) Bu elektrikli el aleti polisaj yapmaya uygun değildir.** Elektrikli alet için öngörülen kullanım risklere ve yaralanmalara sebebiyet verebilir.

**c) Üretici tarafından özel olarak bu alet öngörülmemeyen ve tavsiye edilmeyen aksesuar kullanmayın.** Bir aksesuar elektrikli el aletinizi takabiliyor olmanız güvenli kullanımı garanti etmez.



## Lityum iyon pillerin taşınması

Lityum iyon piller tehlikeli madde taşımacılığı hakkındaki yasal hükümler tabidir.

Bu piller, bölgesel, ulusal ve uluslararası yönetmeliklere ve hükümlere uyularak taşınmak zorundadır.

Tüketiciler bu pilleri herhangi bir özel şart aranmaksızın karayoluyla taşıyabilirler.

Lityum iyon pillerin nakliye şirketleri tarafından ticari taşımacılığı için tehlikeli madde taşımacılığının hükümleri geçerlidir. Sevki hazırlığı ve taşıma sadece ilgili eğitimi görmüş personel tarafından gerçekleştirilebilir. Bütün süreç uzmanca bir refakatçilik altında gerçekleştirilmelidir.

Pillerin taşınması sırasında aşağıdaki hususlara dikkat edilmesi gerekmektedir:

Kısa devre oluşmasını önlemek için kontakların korunmuş ve izole edilmiş olmasını sağlayınız.

Pil paketinin ambalajı içinde kaymamasına dikkat ediniz. Hasarlı veya akmış pillerin taşınması yasaktır. Ayrıca bilgiler için nakliye şirketinize başvurunuz.

## ÇALIŞMA AÇIKLAMALARI

Klavuz delikli teker takılacak olan aletlerde, tekerdeki klavuzun mil uzunluğunu kabul edecek kadar uzun olmasına dikkat edin.

Kesme ve taşlama disklerini daima üreticinin talimatına uygun olarak kullanın ve saklayın.

Kaba taşlama ve kesme işleri sırasında daima koruyucu kapağı kullanın.

Bombeli taşlama diskleri, taşlama yüzeyi koruyucu kapak kenarı seviyesini aşmayacak şekilde monte edilmelidir.

Flanşlı somunu aleti işleme almadan önce iyice sıkın.

Daima ilave sapı kullanın.

Kendi ağırlığı ile güvenli biçimde durmuyorsa iş parçasının uygun bir tertibatla sıkıca tespit edilmesi gerekir. İş parçasını hiçbir zaman elinizle diske doğru tutmayın.

Makine çalıştırılmadan önce flanş somunu iyice sıkılanmış olmalıdır. Kullanılan alet flanş somunu ile birlikte iyice sıkılanmadığında, kullanılan takımın frenleme sırasında gereken germe kuvvetini kaybetmesi mümkündür.

## AŞIRI YÜK VE GERİ TEPME KORUMASI

Cihaz Overload - ve Anti Kickback koruma fonksiyonlarına sahiptir ve fazla yüklenmesi halinde durur. İşe devam edebilmek için elektrikli cihazı kapatın ve yeniden çalıştırın.

## YUMUŞAK İLK

Güvenli kullanımı sağlayan elektronik yumuşak ilk hareket; alet çalıştırıldığında gerektirmeleri önerir.

## FREN SİSTEMİ

Hızlı fren tetik bırakılınca etkinleşir ve birkaç saniye içinde aleti durdurur.

Yere yatırmadan önce eklenen aletin tamamen durduğundan emin olun.

Hızlı freni olmayan aletlere kıyasla durdurma süresi frenlemeyle oldukça azaltılır.

## ONE-KEY™

Bu cihazın ONE-KEY işlevi hakkında daha fazla bilgi edinmek için ekteki Hızlı Başlangıç Kılavuzunu okuyun ya da <http://www.milwaukeetool.com/one-key> adresini ziyaret edin.

ONE-KEY uygulamasını App Store ya da Google Play aracılığıyla akıllı telefonunuza indirebilirsiniz.

Elektrostatik deşarj olaylarının neden olduğu parazitler Bluetooth iletişimde de kesintilerine yol açmaktadır. Bu durumda Bluetooth bağlantı manuel olarak tekrar oluşturulmak zorundadır. Kontrol sonuçları EN 55014-2 / EN 301 489-1 / EN 301 489-17 standardına uygun asgari taleplerimizi yerine getirmektedir.

## TEMİZLENMESİ

Aletin havalandırma aralıklarını daima temiz tutun.

## BAKIM

Sadece Milwaukee aksesuarı ve yedek parçası kullanın. Nasıl değiştirileceği açıklanmamış olan yapı parçalarını bir Milwaukee müşteri servisinde değiştirin (Garanti ve servis adresi broşürüne dikkat edin).

Gerektiği takdirde aletin dağılık görünüş şeması, alet tipinin ve tip etiketi üzerindeki sayının bildirilmesi koşuluyla müşteri servisinden veya doğrudan Techtronic Industries GmbH, Max-Eyth-Straße 10, 71364 Winnenden, Germany adresinden istenebilir.


## SEMBOLLER




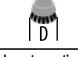
	Lütfen aleti çalıştırmadan önce kullanma kılavuzunu dikkatli biçimde okuyun.
	DİKKAT! UYARI! TEHLİKE!
	Aletin kendinde bir çalışma yapmadan önce kartuş aküyü çıkarın.
	Yassı pilleri yutmayınız!
	Korkuluğu kesme işlemleri için kullanmayın.
	Güç kullanmayın.
	Kuvvet uygulayın.
	Aletle çalışırken daima koruyucu gözlük kullanın.
	Koruyucu kulaklık kullanın.
	Uygun bir koruyucu toz maskesi kullanın
	Koruyucu eldivenlerinizi takınız!
	Her zaman iki elle çalışın.
	Sadece taşlama işleri için.
	Sadece kesme işleri için.

	İzin verilen disk kalınlığına dikkat edin.
	Aksesuar - Teslimat kapsamında değildir, önerilen tamamlamalar aksesuar programında.
	Elektrikli cihazların, pillerin/akülerin evsel atıklarla birlikte bertaraf edilmesi yasaktır. Elektrikli cihazlar ve aküler ayrılarak biriktirilmeli ve çevreye zarar vermeden bertaraf edilmeleri için bir atık değerlendirme tesisine götürülmelidir. Yerel makamlara veya satıcınıza geri dönüşüm tesisleri ve atık toplama merkezlerinin yerlerini danışınız.
<b>n</b>	Devir sayısı
<b>v</b>	Voltaj
	Doğru akım
	Avrupa uyumluluk işareti
	Britanya uyumluluk işareti
	Ukrayna uyumluluk işareti
	Avrasya uyumluluk işareti





	Elektrická zařízení, baterie/akumulátory se nesmí likvidovat společně s odpadem z domácností. Elektrická zařízení, baterie/akumulátory je třeba sbírat odděleně a odevzdat je v recyklačním podniku na ekologickou likvidaci. Na místních úřadech nebo u vašeho specializovaného prodejce se informujte na recyklační podniky a sběrné dvory.
<b>n</b>	Jmenovité otáčky
<b>V</b>	napětí
	Stejnosměrný proud
	Značka shody v Evropě
	Značka shody v Británii
	Značka shody na Ukrajině
	Značka shody pro oblast Eurasie

TECHNICKÉ ÚDAJE	M18 ONEFLAG230XPDB
Typ	Akumulátorová uhlová brúska
Výrobné číslo	4835 68 01 XXXXXX MJJJJ
Napätie výmenného akumulátora	18 V $\approx$
Frekvenčné pásmo (frekvenčné pásma) Bluetooth	2400 - 2483,5 MHz
Vysokofrekvenčný	2 dBm
Verzia Bluetooth	4.2 BT signal mode
Menovitý počet obrátok	6600 min <sup>-1</sup>
Závit vretena	M14
D=Priemer brúsneho kotúča max.	230 mm
d=Ø otvoru	22,2 mm
 b=Hrúbka brúsneho kotúča max.	8 mm
 b=Hrúbka rozbrusovacieho kotúča max. / min.	3 mm / 1,9 mm
 D=Priemer brúsneho kotúča max.	230 mm
 D=miskovité kefy-Ø max.	100 mm
Hmotnosť podľa vykonávacieho predpisu EPTA 01/2014 (Li-Ion 2,0 Ah ... 12,0 Ah)	4,2 ... 5,4 kg
Odporúčaná teplota okolia pre prevádzku	-18 ... +50 °C
Odporúčaná akupaky	M18B...; M18HB...
Odporúčané nabíjačky	M12-18...; M1418C6
<b>Informácia o hluku:</b> Namerané hodnoty určené v súlade s EN 60745. V triede A posudzovaná hladina hluku prístroja činí typicky:	
Hladina akustického tlaku / Kolísavosť K	88,4 dB (A) / 3 dB (A)
Hladina akustického výkonu / Kolísavosť K	99,4 dB (A) / 3 dB (A)
<b>Používajte ochranu sluchu!</b>	
<b>Informácie o vibráciách:</b> Celkové hodnoty vibrácií (vektorový súčet troch smerov) zistené v zmysle EN 60745.	
Hodnota vibračných emisií a <sub>n</sub> / Kolísavosť K	
Brúsenie povrchov	5,5 m/s <sup>2</sup> / 1,5 m/s <sup>2</sup>
Brúsenie pomocou brúsneho listu	3,2 m/s <sup>2</sup> / 1,5 m/s <sup>2</sup>
U iných aplikácií, napr. pri rozbrusovaní alebo brúsení oceľovou drôtenou kefou môžu vzniknúť vibrácie iných hodnôt!	


### POZOR!

Úroveň vibrácií a emisií hluku uvedená v tomto informačnom liste bola meraná v súlade so štandardizovanou skúškou uvedenou v EN 60745 a môže sa použiť na porovnanie jedného nástroja s druhým. Môže sa použiť v predbežnom posúdení expozície.

Deklarovaná úroveň vibrácií a emisií hluku predstavuje hlavné aplikácie nástroja. Ak sa však nástroj používa pre rôzne aplikácie, s rôznym príslušenstvom alebo s nedostatočnou údržbou, môžu sa vibrácie a emisie hluku líšiť. To môže výrazne zvýšiť úroveň expozície počas celej pracovnej doby.

Odhad úrovne expozície vibráciám a hluku by mal tiež brať do úvahy čas, keď je nástroj vypnutý alebo keď beží, ale v skutočnosti nevykonáva prácu. To môže výrazne znížiť úroveň expozície počas celej pracovnej doby.

Identifikujte dodatočné bezpečnostné opatrenia na ochranu pracovníka obsluhy pred účinkami vibrácií a/alebo hluku, ako je: údržba nástroja a príslušenstva, udržanie teplých rúk, organizácia pracovných schém.

** POZOR!** Zoznámte sa so všetkými bezpečnostnými pokynmi. Zanedbanie dodržiavania Výstražných upozornení a pokynov uvedených v nasledujúcom texte môže mať za následok zásah elektrickým prúdom, spôsobiť požiar a/alebo ťažké poranenie.

**Tieto Výstražné upozornenia a bezpečnostné pokyny starostlivo uschovajte na budúce použitie.**

#### BEZPEČNOSTNÉ POKYNY PRE UHLOVÉ BRÚSKY

**Bezpečnostné pokyny pre brúsenie, brúsenie brúsnym papierom, pre prácu s drôtenou kefou, leštenie a rezanie:**

**a) Toto ručné elektrické náradie sa používa ako brúska, ako brúska na brúsenie skleneným papierom, ako drôtená kefa a ako náradie na rezanie. Rešpektujte všetky výstražné upozornenia, pokyny, obrázky a údaje, ktoré ste dostali**

**s týmto ručným elektrickým náradím.** Ak by ste nedodržiali nasledujúce pokyny, mohlo by to mať za následok zásah elektrickým prúdom, vznik požiaru a/alebo vážne poranenie.

**b) Toto ručné elektrické náradie nie je vhodné na leštenie.** Použitie tohto elektrického náradia k iným než určeným účelom môže viesť k ohrozeniu zdravia a k zraneniu.

**c) Nepoužívajte žiadne také príslušenstvo, ktoré nebolo výrobcom určené a odporúčané špeciálne pre toto ručné elektrické náradie.** Okolnosť, že príslušenstvo sa dá na ručné elektrické náradie upevniť, ešte neznamená, že to zaručuje jeho bezpečné používanie.











**SYMBOLE**

	Przed uruchomieniem elektronarzędzia zapoznać się uważnie z treścią instrukcji.
	<b>UWAGA! OSTRZEŻENIE NIEBEZPIECZEŃSTWO!</b>
	Przed przystąpieniem do jakichkolwiek prac na elektronarzędziu należy wyjąć wkładkę akumulatorową.
	Nie należy połykać baterii guzikowych!
	Nie używaj osłony do operacji odcinania.
	Nie używać siły.
	Zastosuj siłę.
	Podczas pracy należy zawsze nosić okulary ochronne.
	Stosować środki ochrony słuchu!
	Nosić odpowiednią maskę przeciwpyłową.
	Nosić rękawice ochronne!
	Zawsze obsługuj narzędzie dwiema rękami.
	Tylko do szlifowania.
	Tylko do cięcia.
	Zwróć uwagę na dopuszczalną grubość tarczy.
	Wyposażenie dodatkowe dostępne osobno.

Urządzenia elektryczne, baterie/akumulatory nie mogą być usuwane razem z odpadami pochodzącymi z gospodarstw domowych. Urządzenia elektryczne i akumulatory należy gromadzić oddzielnie i w celu usuwania ich do odpadów zgodnie z wymaganiami środowiska naturalnego oddawać do przedsiębiorstwa utylizacyjnego. Proszę zasięgnąć informacji o centrach recyklingowych i punktach zbiorczych u władz lokalnych lub u wyspecjalizowanego dostawcy.

	Znamionowa prędkość obrotowa
	Napięcie
	Prąd stały
	Europejski Certyfikat Zgodności
	Brytyjski Certyfikat Zgodności
	Ukraiński Certyfikat Zgodności
	Euroazjatycki Certyfikat Zgodności

**MŰSZAKI ADATOK** **M18 ONEFLAG230XPDB**

Felépítés	akkumulátors sarokcsiszoló
Gyártási szám	4835 68 01 XXXXXX MJJJJ
Akkumulátor feszültség	18 V $\equiv$
Bluetooth-frekvenciasáv (frekvenciasávok)	2400 - 2483,5 MHz
Nagyfrekvenciájú Bluetooth-verzió	2 dBm 4.2 BT signal mode
Névleges fordulatszám	6600 min <sup>-1</sup>
Tengelymenet	M14
D=Csiszolótarcsa-Ø max.	230 mm
d=furat Ø	22,2 mm
	b=Csiszolókorong vastagság max. 8 mm
	b=A vágókorong átmérője max. / min. 3 mm / 1,9 mm
	D=Csiszolókorong átmérő max. 230 mm
	D=Fazékkéfe Ø max. 100 mm
Súly a 01/2014 EPTA-eljárás szerint (Li-Ion 2,0 Ah ... 12,0 Ah)	4,2 ... 5,4 kg
Üzemeléshez ajánlott környezeti hőmérséklet	-18 ... +50 °C
Ájánlott akkusomagok	M18B...; M18HB...
Ájánlott töltőkészülékek	M12-18...; M1418C6
<b>Zajinformáció:</b> A közölt értékek megfelelnek az EN 60745 szabványnak.	
A készülék munkahelyi zajszintje tipikusan:	
Hangnyomás szint / K bizonytalanság	88,4 dB (A) / 3 dB (A)
Hangteljesítmény szint / K bizonytalanság	99,4 dB (A) / 3 dB (A)
<b>Hallásvédő eszköz használata ajánlott!</b>	
<b>Vibráció-információk:</b> Összesített rezgésértékek (három irányú vektorális összeg az EN 60745-nek megfelelően meghatározva).	
rezgésemisszió érték a <sub>n</sub> / K bizonytalanság	
Felületcsiszolás	5,5 m/s <sup>2</sup> / 1,5 m/s <sup>2</sup>
Csiszolás csiszolóappal	3,2 m/s <sup>2</sup> / 1,5 m/s <sup>2</sup>
Más alkalmazás, pl. darabolás vagy az acél drótkéffel végzett csiszolás esetén más vibrációs értékek adódhatnak!	

**FIGYELMEZTETÉS!**

Az adatapon feltüntetett rezgés- és zajkibocsátási szint mérésére az EN 60745 szabványos vizsgálati módszere alapján került sor, és a kapott értékek az egyes szerszámok összehasonlítására használhatók. Az értékek az expozíció előzetes értékelésében használhatók. A feltüntetett rezgés- és zajkibocsátási szint a szerszám főbb alkalmazásait tükrözi. Mindazonáltal, ha a szerszámot különböző alkalmazásokra, eltérő tartozékokkal használják, illetve a szerszám nincs megfelelően karbantartva, a rezgés- és zajkibocsátási szint eltérő lehet. Ez jelentősen növelheti az expozíciós szintet a teljes munkafolyamat során. A rezgésnek és zajnak való expozíció becsült szintjét is figyelembe kell venni a szerszám kikapcsolásakor, illetve olyankor, ha a szerszám üzemel, de valójában nem történik vele munkavégzés. Ez jelentősen csökkentheti az expozíciós szintet a teljes munkafolyamat során. Határozzon meg további biztonsági intézkedéseket, hogy védje a kezelőt a rezgés- és/vagy zajhatásoktól. Ilyen intézkedések pl.: a szerszámok és tartozékok karbantartása, a kéz melegen tartása, munkarend-szervezés.

**FIGYELMEZTETÉS!** Olvasson el minden biztonsági útmutatást és utasítást. A következőkben leírt előírások betartásának elmulasztása áramütésekhez, tűzhöz és/vagy súlyos testi sérülésekhez vezethet.

**Kérjük a későbbi használatra gondosan őrizze meg ezeket az előírásokat.**

**BIZTONSÁGI TUDNIVALÓK SAROKCSISZOLÓHOZ**

**Közös figyelmeztető tájékoztató a csiszolóshoz, csiszolópapírral végzett csiszolóshoz, a drótkéffel végzett munkákhoz, polírozáshoz és daraboláshoz:**

**a) Ez az elektromos kéziszerszám csiszológépként, csiszolópapíros csiszológépként, drótkéféként és daraboló**

**csiszológépként használható. Ügyeljen minden figyelmeztető jelzésre, előírásra, ábrára és adatra, amelyet az elektromos kéziszerszámmal együtt megkapott.** Ha nem tartja be a következő előírásokat, akkor ez áramütéshez, tűzhöz és/vagy súlyos személyi sérülésekhez vezethet.

**b) Ez az elektromos szerszám nem alkalmas polírozásra.** Az elektromos szerszám olyan használata, amely nem felel meg a rendeltetésének, veszélyeket és sérüléseket okozhat.

**c) Ne használjon olyan tartozékokat, amelyeket a gyártó ehhez az elektromos kéziszerszámhoz nem irányzott elő és nem javasolt.** Az a tény, hogy a tartozékot rögzíteni tudja az elektromos kéziszerszámmra, nem garantálja annak biztonságos alkalmazását.









	Bodite pozorni na dovoljeno debelino plošče.
	Oprema – ni vsebovana v obsegu dobave, priporočeno dopolnilo iz programa opreme.
	Električnih naprav, baterij/akumulatorjev ni dovoljeno odstranjevati skupaj z gospodinjstvi odpadki. Električne naprave in akumulatore je potrebno zbirati ločeno in za okolju prijazno odstranitev, oddati podjetju za reciklažo. Pri krajevnem uradu ali vašem strokovnem prodajalcu se pozanimajte glede reciklažnih dvorišč in zbirnih mest.
<b>n</b>	Nazivno število vrtljajev
<b>V</b>	Napetost
	Enosmerni tok
	Evropska oznaka za združljivost
	Britanska oznaka za združljivost
	Ukrajinska oznaka za združljivost
	Evrazijska oznaka za združljivost

TEHNIČKI PODACI	M18 ONEFLAG230XPDB
Vrsta izvedbe	Akumulatorska kutni brusar
Broj proizvodnje	4835 68 01 XXXXXX MJJJJ
Napon baterije za zamjenu	18 V $\equiv$
Bluetooth-pojas frekvencija (pojasevi frekvencija)	2400 - 2483,5 MHz
Visokofrekvencijska	2 dBm
Bluetooth-Verzija	4.2 BT signal mode
Nazivni broj okretaja	6600 min <sup>-1</sup>
Navoj vretena	M14
D=Brusne ploče- $\emptyset$ max.	230 mm
d=otvor sa $\emptyset$	22,2 mm
	b=Debljina brusne ploče max. 8 mm
	b=Debljina rezne ploče max. / min. 3 mm / 1,9 mm
	D=Promjer brusne ploče max. 230 mm
	D=Lončaste četke- $\emptyset$ max. 100 mm
Težina po EPTA-proceduri 01/2014 (Li-Ion 2,0 Ah ... 12,0 Ah)	4,2 ... 5,4 kg
Preporučena temperatura okoline za pogon	-18 ... +50 °C
Preporučeni akumulatorski paket	M18B...; M18HB...
Preporučeni punjači	M12-18...; M1418C6
<b>Informacije o buci:</b> Mjerne vrijednosti utvrđene odgovarajuće EN 60745.	
A-ocijenjeni nivo buke aparata iznosi tipično:	
Nivo pritiska zvuka / Nesigurnost K	88,4 dB (A) / 3 dB (A)
Nivo učinka zvuka / Nesigurnost K	99,4 dB (A) / 3 dB (A)
<b>Nositi zaštitu sluha!</b>	
<b>Informacije o vibracijama:</b> Ukupne vrijednosti vibracije (Vektor suma tri smjersu odmjerene odgovarajuće EN 60745)	
Vrijednost emisije vibracije $a_h$ / Nesigurnost K	
Brušenje površina	5,5 m/s <sup>2</sup> / 1,5 m/s <sup>2</sup>
Brušenje brusnim listom	3,2 m/s <sup>2</sup> / 1,5 m/s <sup>2</sup>
Kod drugih primjena kao npr. brušenje presjecanjem ili brušenje sa četkom od čeličnih žica mogu nastati druge vibracijske vrijednosti!	

### UPOZORENIE!

Razine emisije vibracija i buke navedena u ovom informacijskom listu izmjerene su u skladu sa standardiziranim ispitom koji propisuje EN 60745 i mogu se upotrebljavati za međusobnu usporedbu alata. Također se mogu upotrebljavati za prethodnu procjenu izloženosti. Navedene razine emisija vibracija i buke predstavljaju glavnu svrhu primjene alata. Međutim, ako se alat upotrebljava u druge svrhe, s drugim priborom ili se ne održava dovoljno, emisije vibracija i buke mogu biti drukčije. To može značajno povećati razinu izloženosti tijekom cjelokupna razdoblja rada.

Procjena razine izloženosti vibracijama i buci također bi u obzir trebala uzeti razdoblja tijekom kojih je alat isključen ili kada je uključen, no njime se ne obavlja nikakav rad. Time se značajno može smanjiti razina izloženosti tijekom cjelokupna razdoblja rada.

Utvrđite dodatne sigurnosne mjere kako biste zaštitili rukovatelja od ovih učinaka vibracija i/ili buke, primjerice: održavanje alata i pribora, osiguravanje da ruke budu tople, organizacija obrazaca rada.

**UPOZORENIE!** Pročitajte sigurnosne upute i uputnice. Ako se ne bi poštivala napomene o sigurnosti i upute to bi moglo uzrokovati strujni udar, požar i/ili teške ozljede.

**Sačuvajte sve napomene o sigurnosti i upute za buduću primjenu.**

### SIGURNOSNE UPUTE ZA KUTNU BRUSILICU

Zajedničke upute s upozorenjima za brušenje, brušenje brusnim papirom, radove s žičanim četkama, poliranje i rezanje brušenjem:

a) Ovaj električni alat treba koristiti kao brusilicu, brusilicu s brusnim papirom, žičanu četku i rezanje brušenjem. Pridržavajte se svih naputaka s upozorenjem, uputa, prikaza

i podataka koje ste dobili s električnim alatom. Ako se ne bi pridržavali slijedećih uputa, moglo bi doći do električnog udara, požara i/ili teških ozljeda.

b) Ovaj električni alat nije prikladan za poliranje. Primjene, za koje električni alat nije predviđen, mogu prouzročiti ugrožavanja i povrede.

c) Ne koristite pribor koji proizvođač nije posebno predvidio i preporučio za ovaj električni alat. Sama činjenica da se pribor može pričvrstiti na vaš električni alat, ne jamči sigurnu primjenu.

d) Dozvoljeni broj okretaja alatnih nastavaka mora najmanje biti toliki kao što je i najveći broj okretaja naveden na električnom alatu. Oprema koja ima veći broj okretaja od dozvoljenog može se polomiti i razletjeti.





Kod transporta baterija se moraju poštivati sljedeće točke:

Uvjerite se da su kontakti zaštićeni i izolirani kako bi se izbjegli kratki spojevi.

Pazite na to, da blok baterija unutar pakiranja ne može proklizavati. Oštećene ili iscurjele baterije se ne smiju transportirati. U svezi ostalih uputa obratite se vašem prijevoznom poduzeću.

#### RADNE UPUTE

Kod brusnih sredstava, koja bi trebala biti opremljeni pločom sa navojem, utvrditi, da li je navoj u ploči dovoljno dug za vreteno.

Rezne i brusne ploče upotrijebiti i čuvati uvijek po podacima proizvođača.

Prilikom grube obrade i prosjecanja uvijek raditi sa zaštitnom kapom.

Koljenčaste brusne ploče moraju biti montirane tako, da njihova brusna površina ne strši preko ravnine ruba zaštitne kape.

Matica prirubnice mora prije puštanja stroja u rad biti zategnuta.

Uvijek primijeniti dodatnu ručicu.

Radni predmet koji se obrađuje mora biti čvrsto stegnut, ako se ne drži svojom osobnom težinom. Radni predmet ne nikada voditi rukom prema ploči.

Matica prirubnice mora prije puštanja u rad stroja biti čvrsto stegnuta. Ukoliko uporabljeni alat sa maticom prirubnice ne bude čvrsto stegnut, postoji mogućnost da alat kod zaustavljanja izgubi potrebnu zateznu silu.

#### ZAŠTITA OD PREOPTERECENJA I POVRATNOG UDARA

Ovaj aparat raspolaže sa Overload i anti Kickback zaštitnom funkcijom i zaustavlja se odgovarajuće preopterećenosti. Isključite električni alat i ponovno uključite električni alat kako biste nastavili s radom.

#### NJEŽAN START

Elektronički nježan start za sigurno rukovanje sprječava kod uključivanja grubi start stroja.

#### SUSTAV KOČENJA

Zaustavna kočnica aktivira se kada se otpusti sklopka za uključivanje, što zaustavlja alat u roku od nekoliko sekundi.

Provjerite je li se alat za umetanje u potpunosti zaustavio prije no što ga odložite.

U usporedbi s alatima bez zaustavne kočnice, vrijeme zaustavljanja uvelike će se smanjiti kočenjem.

#### ONE-KEY™

Kako biste saznali više o ONE-KEY funkcionalnosti ovog uređaja, pogledajte vodič za brzo pokretanje ili idite na mrežnu stranicu <http://www.milwaukeetool.com/one-key>

Aplikaciju ONE-KEY možete preuzeti na vaš pametni telefon preko App Store ili Google Play.

Smetnje prouzročene elektrostatičkim pražnjenjima vode i do prekida Bluetooth-komunikacije. U tome slučaju se Bluetooth-Verbindung mora ručno ponovno uspostaviti. Rezultat ispitivanja ispunjava naše najmanje zahtjeve po EN 55014-2 / EN 301 489-1 / EN 301 489-17.

#### ČIŠĆENJE

Prereze za prozračivanje stroja uvijek držati čistima.

#### ODRŽAVANJE

Primijeniti samo Milwaukee opremu i Milwaukee rezervne dijelove. Sastavne dijelove, čija zamjena nije opisana, dati zamijeniti kod jedne od Milwaukee servisnih službi (poštivati brošuru Garancija/ Adrese servisa).

Po potrebi se može zatražiti crtež eksplozije aparata uz davanje podataka o tipu stroja i desetoznamenkastog broja na pločici snage kod Vaše servisne službe ili direktno kod Techtronic Industries GmbH, Max-Eyth-Straße 10, 71364 Winnenden, Germany.

#### SIMBOLI



Molimo da pažljivo pročitate uputu o upotrebi prije puštanja u rad.



PAŽNJA! UPOZORENIE! OPASNOST!



Prije svih radova na stroju izvaditi bateriju za zamjenu.



Dugmaste stanične baterije ne progutati!



Nemojte upotrebljavati zaštitnu opremu za postupke odrezivanja.



Ne upotrebljavati silu.



Primijeniti silu.



Kod radova na stroju uvijek nositi zaštitne naočale.



Nosite zaštitu za sluh.



Nositi prikladnu zaštitnu masku protiv prašine.



Nositi zaštitne rukavice!



Uvijek rukujte objema rukama.



Samo za brusne radove.



Samo za rezačke radove.



Obratite pozornost na dopuštenu debljinu ploče.



Oprema - u opsegu isporuke nije sadržana, preporučena dopuna iz programa opreme.



Elektrouređaji, baterije/akumulatori se ne smiju zbrinjavati skupa sa kućnim smećem. Električni uređaji/akumulatori se moraju skupljati odvojeno i predati na zbrinjavanje primjereno okolišu jednom od pogona za iskorišćavanje. Raspitajte se kod mjesnih vlasti ili kod stručnog trgovca u svezi gospodarstva za recikliranje i mjesta skupljanja.



Nazivni broj okretaja



Napon



Istosmjerna struja



Europski znak suglasnosti



Britanski znak suglasnosti



Ukrajinski znak suglasnosti



Euroazijski znak suglasnosti





	Vienmēr vadiet darbarīku ar abām rokām.
	Tikai slīpēšanai
	Tikai atdalīšanai
	Pievērsiet uzmanību pieļaujamajam rīpas biezumam.
	Piederumi - standartprikojumā neietvertās, bet ieteicamās papildus komplektācijas detaļas no piederumu programmas.
	Elektriskus aparātus, baterijas/akumulatorus nedrīkst utilizēt kopā ar mājāsaimniecības atkritumiem. Elektriski aparāti un akumulatori ir jāsavāc atsevišķi un jānodod atkritumu pārstrādes uzņēmumā videi saudzīgai utilizācijai. Jautājiet vietējā iestādē vai savam specializētajam tirgotājam, kur atrodas atkritumu pārstrādes uzņēmumi vai savākšanas punkti.
<b>n</b>	Nominālais griešanās ātrums
<b>v</b>	Voltāža
	Līdzstrāva
	Eiropas atbilstības zīme
	Lielbritānijas atbilstības zīme
	Ukrainas atbilstības zīme
	Eirāzijas atbilstības zīme

TECHNINIAI DUOMENYS	M18 ONEFLAG230XPDB
Konstrukcija	Kampinis šlifuoškis su akumulatoriumi
Produkto numeris	4835 68 01 XXXXXX MJJJJ
Keičiamo akumulatoriaus įtampa	18 V $\approx$
„Bluetooth“ radijo dažnių juosta (radijo dažnių juostos)	2400 - 2483,5 MHz
Aukšto dažnio	2 dBm
„Bluetooth“ versija	4.2 BT signal mode
Nominalus sūkių skaičius	6600 min <sup>-1</sup>
Suklio sriegis	M14
D=šlifavimo diskų $\varnothing$ maks.	230 mm
d=Gręžimo- $\varnothing$	22,2 mm
	b=Šlifavimo disko storis maks. 8 mm
	b=Pjovimo disko storis maks. / min. 3 mm / 1,9 mm
	D=Šlifavimo disko diametras maks. 230 mm
	D=Šveitimo šepečio $\varnothing$ maks. 100 mm

Prietaiso svoris įvertintas pagal EPTA 01/2014 tyrimų metodiką (Li-Ion 2,0 Ah ... 12,0 Ah)	4,2 ... 5,4 kg
Rekomenduojama aplinkos temperatūra eksploatuojant	-18 ... +50 °C
Rekomenduojami akumulatoriai	M18B...; M18HB...
Rekomenduojami įkrovikliai	M12-18...; M1418C6

**Informacija apie keliamą triukšmą:** Vertės matuotos pagal EN 60745. Įvertintas A įrenginio keliamo triukšmo lygis dažniausiai sudaro:

Garso slėgio lygis / Paklaida K	88,4 dB (A) / 3 dB (A)
Garso galios lygis / Paklaida K	99,4 dB (A) / 3 dB (A)

#### Nešioti klausos apsaugines priemones!

**Informacija apie vibraciją:** Bendroji svyravimų reikšmė (trijų krypčių vektorių suma), nustatyta remiantis EN 60745.

Vibravimų emisijos reikšmė  $a_n$  / Paklaida K

Paviršių šlifavimas	5,5 m/s <sup>2</sup> / 1,5 m/s <sup>2</sup>
Šlifavimas su šlifavimo popieriumi	3,2 m/s <sup>2</sup> / 1,5 m/s <sup>2</sup>

Panaudojant kitaip, pvz., atskiriamąją juostą arba juostą su plieninės vielos šepečiu, gali atsirasti visiškai kitos vibravimo vertės!

### ⚠ DĖMESIO!

Šiame vadove nurodytos bendrosios vibracijos ir triukšmo emisijos vertės nustatytos pagal standartinius bandymo metodus pagal EN 60745, todėl gali būti taikomos lyginant vieną įrankį su kitu. Gali būti naudojama preliminariam poveikio įvertinimui.

Nurodytos bendrosios vibracijos ir triukšmo emisijos vertės atitinka įrankio taikymą. Jei įrankis naudojamas kitokiais tikslais, kartu su kitokiais priedais ar netinkamai prižiūrimas, bendrosios vibracijos ir triukšmo emisijos vertės gali skirtis. Tai gali žymiai padidinti poveikio lygį viso darbo metu.

Apskaičiuojant bendrosios vibracijos ir triukšmo emisijos vertes reikėtų atsižvelgti į laikotarpį, kai prietaisas yra išjungtas arba įjungtas, bet nėra naudojamas. Tai gali žymiai sumažinti poveikio lygį viso darbo metu.

Tam, kad naudotojas būtų apsaugotas nuo vibracijos ir (arba) triukšmo poveikio, reikia nustatyti papildomus saugos reikalavimus, pavyzdžiui: tinkamai prižiūrėti prietaisą ir jo priedus, laikyti rankas šiltais, organizuoti darbo modelius.

### ⚠ DĖMESIO!

Perskaitykite visas saugumo pastabas ir nurodymus. Jei nepaisysite žemiau pateiktų saugos nuorodų ir reikalavimų, gali trenkti elektros smūgis, kilti gaisras ir/arba galite sunkiai susižaloti arba sužaloti kitus asmenis.

**Išsaugokite šias saugos nuorodas ir reikalavimus, kad ir ateityje galėtumėte jais pasinaudoti.**

#### KAMPINIO ŠLIFUOKLIO SAUGUMO INSTRUKCIJOS

**Bendros įspėjamosios nuorodos, kurių būtina laikytis šlifuojant, naudojant šlifavimo popieriaus diskus, dirbant su vieliniais šepečiais, poliruojant ir pjaustant:**

**a) Šį elektrinį prietaisą galima naudoti kaip šlifavimo mašiną, skirtą šlifuoti abrazyviniais diskais, šlifavimo popieriumi, vieliniais šepečiais bei pjaustymo mašiną. Griežtai laikykitis**

**visų įspėjamųjų nuorodų, taisyklių, ženklų ir užrašų, kurie yra pateikiami su šiuo prietaisu, reikalavimų.** Jei nepaisysite toliau pateiktų nuorodų, gali kilti elektros smūgio, gaisro ir/arba sunkių sužalojimų pavojus.

**b) Šis elektrinis įrankis netinka poliruoti.** Jei įrankį naudojate ne pagal paskirtį, galite sukelti pavojų ir susižaloti.

**c) Nenaudokite jokių priedų ir papildomos įrangos, kurių gamintojas nėra specialiai numatęs ir rekomendavęs šiam elektriniam prietaisui.** Vien tik tas faktas, kad Jūs galite pritvirtinti kokį nors priedą prie elektrinio prietaiso, jokiū būdu negarantuoja, kad juo bus saugu naudotis.



## Ličio jonų akumuliatorių pervežimas

Ličio jonų akumuliatoriams taikomos įstatyminės nuostatos dėl pavojingų krovinių pervežimų.

Šiuos akumuliatorius pervežti būtina laikantis vietinių, nacionalinių ir tarptautinių direktyvų ir nuostatų.

Naudotojai šiuos akumuliatorius gali naudoti savo transporte be jokių kitų sąlygų.

Už komercinį ličio jonų akumuliatorių pervežimą atsako ekspedicijos įmonė pagal nuostatas dėl pavojingų krovinių pervežimo.

Pasiruošimo išsiųsti ir pervežimo darbus gali atlikti tik atitinkamai išmokyti asmenys. Visas procesas privalo būti prižiūrimas.

Pervežant akumuliatorius būtina laikytis šių punktų:

Siekiant išvengti trumpųjų jungimų, įsitikinkite, kad kontaktai yra apsaugoti ir izoliuoti.

Atkreipkite dėmesį, kad akumuliatorius pakuotės viduje neslidinėtų. Draudžiama pervežti pažeistus arba tekančius akumuliatorius. Dėl detalesnių nurodymų kreipkitės į savo ekspedicijos įmonę.

## DARBO NUORODOS

Jei prie šlifavimo priemonės reikia naudoti ir diską su sriegiu, įsitikinkite, kad disko sriegio ilgis pakankamas sukliui.

Pjovimo ir šlifavimo diskus visada naudokite ir laikykite pagal gamintojo nurodymus.

Grandydami ir pjaudami visada dirbkite su apsauginiu gaubtu.

Šlifavimo diskus reikia įstatyti taip, kad šlifavimo paviršius neišsikištų už apsauginio gaubto krašto.

Prieš paleidžiant įrenginį, reikia priveržti jungės veržlę.

Visada naudokite papildomą rankeną.

Apdorojama detalė, jei ji nesilaiko savo svoriu, visada turi būti įtvirtinta. Niekada detalių prie disko neveskite ranka.

Prieš pradėdami dirbti su įrenginiu būtina tvirtai priveržti jungės veržlę. Jeigu įstatomas įrankis nebus tvirtai priveržtas, naudojant jungės veržlę, gali nutikti, kad stabdant įstatomas įrankis praras būtiną įtempimo jėgą.

## APSAUGA NUO PERKROVOS IR ATATRANKOS

Prietaisais turi apsauginę perkrovos bei antiatatranks funkciją. Esant tam tikrai perkrovai, prietaisais nustoją veikti. Išjunkite elektrinį įrankį, tada vėl jį įjunkite, kad galėtumėte tęsti darbą.

## TOLYGIAUS PALEIDIMO REGULIATORIUS

Saugiam valdymui - elektroninis tolygaus paleidimo reguliatorius, užkertantis kelią įrenginio trūkčiojimui, jį paleidžiant.

## STABDYMO SISTEMA

Atleidis gaiduką nenutrūkstanto veikimo stabdys priverčia įrankį sustoti per kelias sekundes.

Prieš padėdami įrankį įsitikinkite, kad jis visiškai sustojęs.

Lyginant su kitais įrankiais, neturinčiais nenutrūkstanto veikimo stabdžio, nenutrūkstanto veikimo laikas gali būti ženkliai sumažintas stabdant.

## ONE-KEY™

Norėdami daugiau sužinoti apie šio įrenginio funkciją ONE-KEY, žr. su šiuo gaminiu priededamą Trumpąjį žinyną arba eikite į svetainę <http://www.milwaukeetool.com/one-key>

Jūs galite iš „App Store“ arba „Google Play“ į savo išmanųjį telefoną atsisiųsti ONE-KEY programėlę.

Elektrostatinių iškrovų sukelti sutrikimai pertraukia „Bluetooth“ komunikaciją darbą. Tokiu atveju reikia rankiniu būdu atnaujinti „Bluetooth“ ryšį. Bandyimų rezultatai atitinka mūsų minimalius reikalavimus pagal EN 55014-2 / EN 301 489-1 / EN 301 489-17.

## VALYMAS















Įrenginio vėdinimo angos visada turi būti švarios.

## TECHNINIS APTARNAVIMAS

Naudokite tik „Milwaukee“ priedus ir „Milwaukee“ atsargines dalis. Dalis, kurių keitimas neaprašytas, leidžiama keisti tik „Milwaukee“ klientų aptarnavimo skyriams (žr. garantiją/klientų aptarnavimo skyrių adresus brošiūroje).

Jei reikia, nurodant įrenginio tipą bei specifikacijų lentelėje esantį numerį, iš klientų aptarnavimo skyriaus arba tiesiai iš Techtronic Industries GmbH, Max-Eyth-Straße 10, 71364 Winnenden, Germany, galima užsisakyti prietaiso surinkimo brėžinius.

## SIMBOLIAI

	Prieš pradėdami dirbti su prietaisu, atidžiai perskaitykite jo naudojimo instrukciją.
	DĖMESIO! ĮSPĖJIMAS! PAVOJUS!
	Prieš atlikdami bet kokius darbus įrenginyje, išimkite keičiamą akumuliatorių.
	Neprarykite tabletės tipo baterijos!
	Nenaudokite nupjovimo operacijoms skirtos apsaugos.
	Nenaudoti jėgos.
	Taikyti jėgą.
	Dirbdami su įrenginiu visada nešiokite apsauginius akinius.
	Nešiokite klausos apsaugos priemones.
	Dėvėti tinkamą apsauginę kaukę nuo dulkių.
	Lietojiet aizsardzības cimdus!
	Visada dirbkite laikydami abiem rankomis.
	Tinka tik šlifavimo darbams.
	Tinka tik pjovimo darbams.


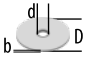


	Stebėkite, kad diskas būtų leistino storio.
	Priedas – neįeina į tiekimo komplektaciją, rekomenduojamas papildymas iš priedų asortimento.
	Elektros prietaisų, baterijų/akumuliatorių šalinti kartu su buitinėmis atliekomis negalima. Elektros prietaisus ir akumuliatorius reikia surinkti atskirai ir atiduoti perdirbimo įmonei, kad būtų pašalinti aplinkai saugiu būdu. Vietos valdžios institucijose arba specializuotose prekybos vietose pasidomėkite apie perdirbimo ir surinkimo centrus.
<b>n</b>	Nominalus sūkių skaičius
<b>v</b>	Įtampa
	Nuolatinė srovė
	Europos atitikties ženklas
	Britanijos atitikties ženklas
	Ukrainos atitikties ženklas
	Eurazijos atitikties ženklas







	Elektriseadmeid, patareisid/akusid ei tohi utiliseerida koos majapidamisprügiga. Elektriseadmed ja akud tuleb eraldi kokku koguda ning kõrvaldada keskkonnasõbralikul moel töötlemiskeskusesse. Küsige infot jäätmekäitlusjaamade ja kogumispunktide kohta oma kohalike ametnike või edasimüüja käest.
<b>n</b>	Nimipõrded
<b>V</b>	Voltaaž
	Alalisvool
	Euroopa vastavusmärk
	Ühendkuningriigi vastavusmärk
	Ukraina vastavusmärk
	Euraasia vastavusmärk

ТЕХНИЧЕСКИЕ ДАННЫЕ		M18 ONEFLAG230XPDB
Модель	Акк. угловая шлифмашина	
Серийный номер изделия	4835 68 01 XXXXXX MJJJJ	
Вольтаж аккумулятора	18 V $\approx$	
Диапазон частот Bluetooth (диапазоны частот)	2400 - 2483,5 MHz	
Мощность высокой частоты	2 dBm	
Версия Bluetooth	4.2 BT signal mode	
Номинальное число оборотов	6600 min <sup>-1</sup>	
Резьба шпинделя	M14	
D=Диаметр шлифовального диска макс.	230 mm	
d=Диаметр и отверстия	22,2 mm	
	b=Толщина шлифовального диска макс.	8 mm
	b=Толщина отрезного круга макс. / мин.	3 mm / 1,9 mm
	D=Диаметр шлифовального диска макс.	230 mm
	D=Ø круглой щетки макс.	100 mm
Вес согласно процедуре EPTA 01/2014 (Li-Ion 2,0 Ah ... 12,0 Ah)	4,2 ... 5,4 kg	
Температура окружающей среды, рекомендованная для эксплуатации	-18 ... +50 °C	
Рекомендованные аккумуляторные блоки	M18B...; M18NB...	
Рекомендованные зарядные устройства	M12-18...; M1418C6	
<b>Информация по шумам:</b> Значения замерялись в соответствии со стандартом EN 60745.		
Уровень шума прибора, определенный по показателю A, обычно составляет:		
Уровень звукового давления / Небезопасность K	88,4 dB (A) / 3 dB (A)	
Уровень звуковой мощности / Небезопасность K	99,4 dB (A) / 3 dB (A)	
<b>Пользуйтесь приспособлениями для защиты слуха.</b>		
<b>Информация по вибрации:</b> Общие значения вибрации (векторная сумма трех направлений) определены в соответствии с EN 60745.		
Значение вибрационной эмиссии a <sub>h</sub> / Небезопасность K		
Плоское шлифование	5,5 m/s <sup>2</sup> / 1,5 m/s <sup>2</sup>	
Шлифовка с помощью шлифовального полотна	3,2 m/s <sup>2</sup> / 1,5 m/s <sup>2</sup>	
При применении в других целях, как, напр., абразивное отрезание или шлифование стальной проволочной щеткой, могут получаться другие показатели вибрации!		


### ВНИМАНИЕ!

Заявленные значения вибрации и шумового излучения, указанные в настоящем информационном листе, были измерены согласно стандартизированному методу испытания согласно EN 60745 и могут использоваться для сравнения одного инструмента с другим. Они могут применяться для предварительной оценки воздействия на организм человека.

Указанные значения вибрации и шумового излучения действительны для основных областей применения инструмента. Однако если инструмент используется в других областях применения или с другими принадлежностями либо проходит ненадлежащее обслуживание, значения вибрации и шумового излучения могут отличаться. Это может существенно увеличить уровень воздействия на организм на протяжении общего периода работы.

При оценке уровня воздействия вибрации и шумового излучения на организм также необходимо учитывать периоды, когда инструмент выключен, или когда он работает, но фактически не используется для выполнения работы. Это может существенно сократить уровень воздействия на организм на протяжении общего периода работы.

Определите дополнительные меры для защиты оператора от воздействия вибрации и/или шума, такие как обслуживание инструмента и его принадлежностей, сохранение рук в тепле, организация графиков работы.

** ВНИМАНИЕ!** Ознакомьтесь со всеми указаниями по безопасности и инструкциями. Упущения, допущенные при не соблюдении указаний и инструкций по технике безопасности, могут стать причиной электрического поражения, пожара и тяжелых травм.

**Сохраняйте эти инструкции и указания для будущего использования.**

### УКАЗАНИЯ ПО БЕЗОПАСНОСТИ К УГЛОВОЙ ШЛИФОВАЛЬНОЙ МАШИНЕ

**Общие предупреждающие указания по шлифованию, шлифованию наждачной бумагой, для работ с проволочными щетками, для полирования и отрезных работ:**





**ВНИМАНИЕ!** Устройство использует кнопочный/плоский круглый литиевый аккумулятор. Новый или использованный аккумулятор может вызвать сильные внутренние ожоги и привести к смерти в течение 2 часов в случае проглатывания или попадания в организм. Всегда закрепляйте крышку аккумуляторного отсека. Если она не закрывается надежно, остановите устройство, извлеките аккумулятор и храните его в недоступном для детей месте. Если вы считаете, что человек проглотил аккумулятор или что аккумулятор иным образом попал в организм, обратитесь за экстренной медицинской помощью.

#### ИСПОЛЬЗОВАНИЕ

Углошлифовальная машина предназначена для шлифования и резарезания металла, камня, бетона и керамики, а также для обработки шлифовальной бумагой и проволочной щеткой.

Используйте для резарезания защитный колпачок из ассортимента принадлежностей.

В случае сомнения соблюдайте указания производителя принадлежностей.

Этот электроинструмент предназначен только для работы всухую.

Устанавливайте на углошлифовальную машину только соответствующие шлифовальные или режательные диски и сопутствующие защитные приспособления (защитный кожух для шлифовки или резания) согласно указаниям в разделе касательно спецификации продукта в настоящем руководстве. Углошлифовальная машина предназначена для ручного использования и не предназначена для установки на рабочем столе или на крепежных приспособлениях.

Не используйте этот продукт для любой другой цели; используйте его только по указанному целевому назначению.

#### ОСТАТОЧНЫЕ ОПАСНОСТИ

Даже при надлежащем использовании нельзя исключить все остаточные риски. При использовании могут возникнуть такие опасности, на которые пользователь должен обратить особое внимание:

- Травмы вследствие вибрации. Держите прибор за предусмотренные для этого рукоятки и ограничивайте время работы и экспозиции.
- Шумовое воздействие может привести к повреждению слуха. Носите защитные наушники и ограничивайте продолжительность экспозиции.
- Травмы глаз, вызванные частицами загрязнений. Всегда надевайте защитные очки, плотные длинные брюки, рукавицы и прочную обувь.
- Вдыхание ядовитой пыли.

#### УКАЗАНИЯ ДЛЯ ЛИТИЙ-ИОННЫХ АККУМУЛЯТОРОВ

##### Использование литий-ионных аккумуляторов

Перед использованием аккумулятора, которым не пользовались некоторое время, его необходимо зарядить.

Температура свыше 50°C снижает работоспособность аккумуляторов. Избегайте продолжительного нагрева или прямого солнечного света (риск перегрева).

Контакты зарядного устройства и аккумуляторов должны содержаться в чистоте.

Для обеспечения оптимального срока службы аккумулятор необходимо полностью заряжать после использования прибора. Для достижения максимально возможного срока службы аккумуляторы после зарядки следует вынимать из зарядного устройства.

При хранении аккумулятора более 30 дней:

Храните аккумулятор при 27°C в сухом месте.

Храните аккумулятор с зарядом примерно 30% - 50%.

Каждые 6 месяцев аккумулятор следует заряжать.

#### Защита литий-ионных аккумуляторов от перегрузки

В случае перегрузки аккумулятора по причине слишком большого потребления электроэнергии, при экстремально большом крутящем моменте, внезапной остановке или коротком замыкании, электроприбор вибрирует в течение 5 секунд, загорается индикатор заряда аккумулятора и электроприбор автоматически выключается. ть работу.

Для повторного включения следует отжать кнопку включения и потом снова включить. При слишком высоких нагрузках аккумулятор перегревается. В этом случае загораются все лампы индикатора заряда аккумулятора. Когда аккумулятор остынет и лампы погаснут – можно продолжа

#### Транспортировка литий-ионных аккумуляторов

Литий-ионные аккумуляторы в соответствии с предписаниями закона транспортируются как опасные грузы.

Транспортировка этих аккумуляторов должна осуществляться с соблюдением местных, национальных и международных предписаний и положений.

Эти аккумуляторы могут перевозиться по улице потребителем без дальнейших обязательств.

При коммерческой транспортировке литий-ионных аккумуляторов экспедиторскими компаниями действуют положения, касающиеся транспортировки опасных грузов. Подготовка к отправке и транспортировка должны производиться исключительно специально обученными лицами. Весь процесс должен находиться под контролем специалиста.

При транспортировке аккумуляторов необходимо соблюдать следующие пункты:

Убедитесь, что контакты защищены и изолированы во избежание короткого замыкания.

Следите за тем, чтобы аккумуляторный блок не соскользнул внутри упаковки. Транспортировка поврежденных или протекающих аккумуляторов запрещена. За дополнительными указаниями обратитесь к своему экспедитору.

#### УКАЗАНИЯ ПО РАБОТЕ

Предназначается для инструментов, которые могут использоваться с кругами, оснащенными резьбовым отверстием, причем длина резьбы должна соответствовать длине шпинделя.

Всегда используйте и храните отрезные и шлифовальные диски в соответствии с инструкциями производителя.

При шлифовании или отрезании всегда используйте защитным ограждением.

Изогнутые шлифовальные диски необходимо устанавливать таким образом, чтобы их шлифовальная поверхность не выходила за пределы края защитного кожуха.

Перед включением инструмента затяните гайку с фланцем. Всегда пользуйтесь дополнительной рукояткой.

Если изделие не достаточно тяжелое и неустойчивое, то его необходимо закрепить. Никогда не подносите изделие к шлифовальному диску, держа его в руках.

Перед вводом машины в эксплуатацию фланцевая гайка должна быть прочно затянута. Если фланцевая гайка рабочего инструмента затянута непорочно, инструмент при торможении может потерять необходимое зажимное усилие.

#### ЗАЩИТА ОТ ПЕРЕГРУЗКИ И ОБРАТНОГО УДАРА

Пожалуйста, учитывайте, что при исчезновении нагрузки машина снова самостоятельно запускается с изначальной рабочей скоростью вращения Выключите электроприводной инструмент, а затем включите его заново для продолжения работы.

#### ПЛАВНЫЙ СТАРТ

Плавный старт для безопасной работы предотвращает резкое включение инструмента.

#### ТОРМОЗНАЯ СИСТЕМА

Рабочий тормоз включается при отпускании кнопки запуска, заставляя инструмент остановиться в течение нескольких секунд.

Прежде чем отложить инструмент в сторону, убедитесь в том, что движение вставного инструмента полностью остановлено.

По сравнению с инструментами без рабочего тормоза время остаточного движения существенно сокращается.

#### ONE-KEY™

Чтобы узнать больше о технических возможностях ONE-KEY данного устройства, обратитесь к краткому руководству пользователя, поставляемому с изделием, или пройдите по ссылке <http://www.milwaukeetool.com/one-key>

Вы можете загрузить приложение ONE-KEY на свой смартфон через App Store или Google Play.

Помехи, вызванные воздействием электростатического разряда, также приводят к прерыванию связи Bluetooth. В этом случае соединение Bluetooth должно быть повторно установлено вручную. Результаты испытаний соответствуют нашим минимальным требованиям согласно EN 55014-2 / EN 301 489-1 / EN 301 489-17.

#### СТИРКА

Всегда держите охлаждающие отверстия чистыми.

#### ОБСЛУЖИВАНИЕ


Пользуйтесь аксессуарами и запасными частями Milwaukee. В случае возникновения необходимости в замене, которая не была описана, обращайтесь в один из сервисных центров по обслуживанию электроинструментов Milwaukee (см. список сервисных организаций).

При необходимости может быть заказан чертеж инструмента с трехмерным изображением деталей. Пожалуйста, укажите номер и тип инструмента и закажите чертеж у Ваших местных агентов или непосредственно у Techtronic Industries GmbH, Max-Eyth-Straße 10, 71364 Winnenden, Germany.

#### СИМВОЛЫ

	Пожалуйста, внимательно прочтите инструкцию по использованию перед началом любых операций с инструментом.
	<b>ВНИМАНИЕ! ПРЕДУПРЕЖДЕНИЕ! ОПАСНОСТЬ!</b>
	Выньте аккумулятор из машины перед проведением с ней каких-либо манипуляций.
	Не глотать миниатюрный элемент питания!
	Не используйте защитный щиток для операций отрезания.
	Не применяйте силу
	Применить силу.
	При работе с инструментом всегда надевайте защитные очки.

	Используйте наушники!
	Надевайте противопылевой респиратор.
	Надевать защитные перчатки!
	Всегда работайте двумя руками.
	Только для шлифования.
	Только для отрезания.
	Обращайте внимание на допустимую толщину диска.
	Принадлежности - В стандартную комплектацию не входит, поставляется в качестве дополнительной принадлежности.
	Электроприборы, батареи/аккумуляторы запрещено утилизировать вместе с бытовым мусором. Электрические приборы и аккумуляторы следует собирать отдельно и сдавать в специализированную компанию для утилизации в соответствии с нормами охраны окружающей среды. Получите в местных органах власти или у вашего специализированного дилера сведения о центрах вторичной переработки и пунктах сбора.
<b>n</b>	Номинальное число оборотов
<b>v</b>	Напряжение
	Постоянный ток
<b>CE</b>	Европейский знак соответствия
<b>UK CA</b>	Британский знак соответствия
	Украинский знак соответствия
<b>001</b>	
<b>EAC</b>	Евразийский знак соответствия

ТЕХНИЧЕСКИ ДАННИ		M18 ONEFLAG230XPDB	
Тип	Аккумуляторен Ъглошлайф		
Производствен номер	4835 68 01 XXXXXX MJJJJ		
Напрежение на акумулатора	18 V =		
Честотен обхват (честотни обхвати) на Bluetooth	2400 - 2483,5 MHz		
високочестотна мощност	2 dBm		
Версия на Bluetooth	4.2 BT signal mode		
Номинална скорост на въртене	6600 min <sup>-1</sup>		
Резба на шпиндела	M14		
D=Ø на абразивните дискове макс.	230 mm		
d=отвор с Ø	22,2 mm		
 b=Дебелина на диска за шлайфане макс.	8 mm		
 b=Дебелина на режещия диск макс. / мин.	3 mm / 1,9 mm		
 D=Размер на шлифовъчния диск макс.	230 mm		
 D=Ø чашковидна четка макс.	100 mm		
Тегло съгласно процедурата EPTA 01/2014 (Li-Ion 2,0 Ah ... 12,0 Ah)	4,2 ... 5,4 kg		
Препоръчителна температура на околната среда при експлоатация	-18 ... +50 °C		
Препоръчителни акумулаторни батерии	M18B...; M18HB...		
Препоръчителни зарядни устройства	M12-18...; M1418CB		
<b>Информация за шума:</b> Измерените стойности са получени съобразно EN 60745.			
Оцененото с A ниво на шума на уреда е съответно:			
Равнище на звуковото налягане / Несигурност K	88,4 dB (A) / 3 dB (A)		
Равнище на мощността на звука / Несигурност K	99,4 dB (A) / 3 dB (A)		
<b>Да се носи предпазно средство за слуха!</b>			
<b>Информация за вибрациите:</b> Общите стойности на вибрациите (векторна сума на три посоки) са определени в съответствие с EN 60745.			
Стойност на емисии на вибрациите a <sub>v</sub> / Несигурност K			
Шлайфане на повърхности	5,5 m/s <sup>2</sup> / 1,5 m/s <sup>2</sup>		
Шлайфане с лента за шлайфане	3,2 m/s <sup>2</sup> / 1,5 m/s <sup>2</sup>		
При друго използване, например отрезно шлайфане или шлайфане със стоманена четка, могат да се получат други стойности на вибрациите!			
<b>⚠ ВНИМАНИЕ!</b>			
Посочените в настоящия информационен лист нива на вибрации и шумови емисии са измерени в съответствие със стандартизирано изпитване, предоставено в EN 60745, и могат да се използват за сравняване на един инструмент с друг. Те може също така да се използват и за предварителна оценка на излагането на вредни въздействия.			
Декларираните нива на вибрации и шумови емисии се отнасят за основните приложения на инструмента. Ако обаче инструментът се използва за други приложения, с други приспособления или не се поддържа добре, нивата на вибрации и шумови емисии могат да са различни. Това може значително да повиши нивото на излагане на вредни въздействия за общата продължителност на работата.			
При оценка на нивото на излагане на въздействието на вибрации и шум следва също така да се вземе предвид времето, през което инструментът е изключен или празен през което е включен, но не се използва. Това може значително да понижи нивото на излагане на вредни въздействия за общата продължителност на работата.			
Определете допълнителни мерки за безопасност за защита на оператора от въздействието на вибрациите и/или шума, като например поддръжка на инструмента и приспособленията, поддържането на топлината на ръцете и организацията на работата.			
<b>⚠ ВНИМАНИЕ!</b> Прочетете указанията за безопасност и съветите. Пропуски при спазването на указанията и на инструкциите за безопасност могат да доведат до токов удар, пожар и/или тежки наранявания.			
<b>Запазете всички указания и инструкции за безопасност за бъдещето.</b>			
<b>УКАЗАНИЯ ПО ТЕХНИКА НА БЕЗОПАСНОСТ ЗА ЪГЛОШЛАЙФ</b>			
<b>Общи инструкции за безопасност при шлифоване, шлифоване с шкурка, работа с телени четки и при абразивно рязане.</b>			
<b>а) Този електроинструмент е предвиден за употреба като шлайф, шлайф за шкурене, телена четка и абразивна машина за рязане. Спазвайте всички инструкции за</b>			

**безопасност, указания, илюстрации и данни, които получавате с уреда.** Ако не спазвате следните указания, това може да доведе до токов удар, пожар и/или тежки наранявания.

**б) Този електроинструмент не е подходящ за заполяване.** Ако се използва за цели, за които не е предвиден, този електроуред може да доведе до опасност и наранявания.

**с) Не използвайте допълнителни приспособления, които не се препоръчват от производителя специално за този електроинструмент.** Фактът, че можете да закрепите към машината определено приспособление или работен инструмент, не гарантира безопасна работа с него.

**д) Допустимата честота на въртене на използвания се инструмент трябва да бъде поне толкова висока, колкото и посочената на уреда честота на въртене.** Аксесоарите, които се въртят по-бързо от допустимото, могат да се счупят и да се разхвърчат.

**е) Външният диаметър и дебелината на работния инструмент трябва да отговарят на посочените размери на Вашия електроинструмент.** Работни инструментите с неподходящи размери не могат да бъдат покрити достатъчно или да бъдат контролирани.

**ф) Резбата на компонентите трябва да съответства на резбата на вретеното.** При компоненти, които са монтирани на фланци, отворът за затегателния дорник в компонента трябва да съвпада с диаметъра за закрепване на фланеца. Компонентите, които не са подходящи за монтажния дорник на устройството, се движат ексцентрично, вибрират и могат да доведат до загуба на контрола върху инструмента.

**г) Не използвайте повредени работни инструменти.** Преди всяка употреба проверявайте работните инструменти, напр. абразивните дискове за пукнатини или откътрени ръбчета, подложните дискове за пукнатини или силно износване, телените четки за недобре захванати или счупени телчета. Ако изтървете електроинструмента или работния инструмент, ги проверявайте внимателно за увреждания или използвайте нови неповредени работни инструменти. След като сте проверили внимателно и сте монтирали работния инструмент, оставете електроинструмента да работи на максимални обороти в прогължение на една минута; стойте и дръжте намиращи се наблизо лица встрани от равнината на въртене. Най-често повредени работни инструменти се чупят през този тестов период.

**h) Носете лични предпазни средства.** Според необходимостта използвайте цяла лицева маска, маска за очи или защитни очила. Ако е необходимо носете маска срещу прах, защита на слуха, предпазни ръкавици или специална престилка, която предпазва от малки частици от диска или от материала. Очите трябва да се защитени от чужди тела, които могат да отлитнат по различни причини. Противопрашната или дихателната маска трябва да могат да филтрират праха, който се образува при работа. Ако сте изложени дълго време на силен шум, това може да причини загуба на слуха Ви.

**и) Внимавайте останалите лица да са на безопасно разстояние от Вашата работна зона.** Всеки, който влиза в работната зона, трябва да носи лични предпазни средства. Отчупени парченца от обработваната част или от счупени работни инструменти могат да отлетят и да причинят наранявания дори и на лица извън непосредствената работна зона.

**j) Дръжте уреда за изолираните ръкохватки, когато извършвате работи, при които режещият инструмент може да засегне скрити електроинсталационни кабели.** Контактът на режещия инструмент с тоководещ проводник може да предаде напрежението върху метални части на уреда и да доведе до токов удар.

**к) Никога не оставяйте електрическата машина, докато инструментът не е напълно спрял.** Въртящият се работен инструмент може да влезе в контакт с повърхността, върху която сте оставили електроинструмента, поради което може да загубите контрола върху него.

**l) Докато пренасяте електроинструмента, не го оставяйте включен.** При неволно допир дрехите или косите Ви могат да бъдат увлечени от работния инструмент, в резултат на което работният инструмент може да се вреже в тялото Ви.

**м) Почиствайте редовно шлицовете за првотерия на електроинструмента.** Духалката на мотора засмуква прах в корпуса на електроинструмента, а насъбрането на метален прах може да причини електрически опасности.

**п) Не работете с електроинструмента в близост до запалими материали.** Искрите могат да възпламенят тези материали.

**о) Не използвайте работни инструменти, които трябва да се охлаждат с течности.** Употребата на вода или на други течни охлаждащи средства може да доведе до токов удар.

**Откат и съвети за избягването му**

Ритането е внезапна реакция на машината вследствие на закачки се или блокиран въртящ се инструмент, напр. шлайфаща шайба, шлайфащ диск, телена четка и др. Закачането или блокирането води до внезапно спиране на въртящия се инструмент. По този начин на мястото на блокиране машина се ускорява неконтролирано срещу посоката на въртене на инструмента.

Ако напр. шлифовъчният диск се заклини или блокира в обработваната част, ръбът на диска, който влиза в обработваната част, може да се заплете и по този начин шлифовъчният диск може да се счупи или да бъде предизвикан откат. Тогава шлифовъчният диск се отправя към или се отдалечава от обскуващото лице, в зависимост от посоката на въртене на диска на мястото на блокиране. В такъв случай шлифовъчните дискове могат също да се счупят.

Откатът е резултат от неправилна или погрешна употреба на електроинструмента. Той може да бъде предотвратен чрез подходящи мерки за безопасност, както е описано в следното.

**а) Хванете здраво машината и дръжте тялото и ръцете си в такова положение, в което да можете да поемете силата на отката.** Винаги използвайте допълнителната ръкохватка, ако има такава, за да имате възможно най-голям контрол върху силата на отката или върху реактивния въртящ момент. Чрез подходящи мерки за безопасност обслужващият персонал може да овладее силите на отката и на реакцията.

**б) Никога не приближавайте ръцете си до въртящия се работни инструменти.** Аксесоарът може да предизвика откат над ръката Ви.

**с) Избягвайте тялото Ви да се намира в тази зона, в която може да се окаже електрическата машина при „ритане“.** Ритането измества машината на мястото на блокиране в посока обратна на движението на шлайфащата шайба.

**д) Работете особено предпазливо в зоните на ъгли, остри ръбове и др. п. Избягвайте отблъскването на работните инструменти от обработваната част и заклиняването им в нея.** При обработване на ъгли или остри ръбове или при рязко отблъскване на въртящия се работен инструмент съществува повишена опасност от заклиняване. Това предизвиква загуба на контрол над машината или откат.

**е) Не използвайте верижни или назъбен режещ диск.** Такива инструменти често причиняват „ритане“ или загуба на контрол върху електрическата машина.

**Специални указания за безопасна работа с режещи дискове**

**а) Използвайте само предвидените за Вашия електроинструмент абразивни дискове и предназначения за използвания абразивен диск предпазен кожух.** Абразивни дискове, които не са предназначени за електроинструмента, не могат да бъдат екранирани добе и не гарантират безопасна работа.



**ONE-KEY™**

За да научите повече за функционалността ONE KEY на този уред, прочетете приложеното кратко ръководство или ни посетете в интернет на <http://www.milwaukee.com/one-key>  
 Можете да изгледите ONE KEY приложението на Вашия смартфон от App Store или Google Play.

Смущенията, причинени от електростатични разряди, водят също и до прекъсване на Bluetooth комуникацията. В такъв случай Bluetooth връзката трябва да се възстанови ръчно. Резултатите от изпитванията отговарят на нашите минимални изисквания съгласно EN 55014-2 / EN 301 489-1 / EN 301 489-17.

**ПОЧИСТВАНЕ**

Вентилационните шлицы на машината да се поддържат винаги чисти.

**ПОДДРЪЖКА**

Да се използват само аксесоари на Milwaukee и резервни части на Milwaukee. Елементи, чията подмяна не е описана, да се дадат за подмяна в сервиз на Milwaukee (вижте брошурата "Гаранция и адреси на сервизи").

При необходимост можете да поискате за уреда от Вашия сервиз или директно от Techtronic Industries GmbH, Max-Eyth-Straße 10, 71364 Winnenden, Germany, чертеж за в случай на експлозия, като посочите типа на машината и номер върху заводската табелка.

**СИМВОЛИ**

	Преди пускане на уреда в действие моля прочетете внимателно инструкцията за използване.
	<b>ВНИМАНИЕ! ПРЕДУПРЕЖДЕНИЕ! ОПАСНОСТ</b>
	Преди започване на каквито е да работи по машината извадете акумулатора.
	Не поглъщайте плоската батерия!
	Не използвайте предпазителя за операции по рязане.
	Не използвайте сила.
	Прямяницъ сила.
	При работа с машината винаги носете предпазни очила.
	Носете средство за защита на слуха.
	Да се носи подходяща прахозащитна маска.

	Да се носят предпазни ръкавици!
	Винаги работете с две ръце.
	Само за шлифоване.
	Само за рязане.
	Обръщайте внимание на допустимата дебелина на диска.
	Аксесоари - Не се съдържат в обема на доставката, препоръчвано допълнение от програмата за аксесоари.
	Електрическите уреди, батерии/акумулаторни батерии не трябва да се изхвърлят заедно с битовите отпадъци. Електрическите уреди и акумулаторни батерии трябва да се събират отделно и да се предават на службите за рециклиране на отпадъците според изискванията за опазване на околната среда. Информирайте се при местните служби или при местните специализирани търговци относно местата за събиране и централите за рециклиране на отпадъци.
<b>n</b>	Номинална скорост на въртене
<b>V</b>	Напрежение
	Постоянен ток
	Европейски знак за съответствие
	Британски знак за съответствие
	Украински знак за съответствие
	Евро-азиатски знак за съответствие

**DATE TEHNICE****M18 ONEFLAG230XPDB**

Tip	Polizor unghiular cu acumulator	
Număr producție	4835 68 01 XXXXXX MJJJJ	
Tensiune acumulator	18 V $\equiv$	
Bandă de frecvență Bluetooth (benzi de frecvență)	2400 - 2483,5 MHz	
Putere la înaltă frecvență	2 dBm	
Versiune Bluetooth	4.2 BT signal mode	
Turație nominală	6600 min <sup>-1</sup>	
Filetul axului de lucru	M14	
D=Diametru disc de rectificare max.	230 mm	
d=Ø alezajului	22,2 mm	
	b=Grosimea discului de șlefuit max.	8 mm
	b=Grosimea discului de tăiere max. / min.	3 mm / 1,9 mm
	D=Diametrul discului abraziv max.	230 mm
	D=Ø perii tip cupă max.	100 mm
Greutate conform „EPTA procedure 01/2014” (Li-Ion 2,0 Ah ... 12,0 Ah)		
Temperatură ambientală recomandată pentru funcționare		
		-18 ... +50 °C
Seturi de baterii recomandate		
		M18B...; M18HB...
Încărcător de baterii recomandat		
		M12-18...; M1418C6
<b>Informație privind zgomotul:</b> Valori măsurate determinate conform EN 60745.		
Nivelul de zgomot evaluat cu A al aparatului este tipic de:		
Nivelul presiunii sonore / Nesigurantă K	88,4 dB (A) / 3 dB (A)	
Nivelul sunetului / Nesigurantă K	99,4 dB (A) / 3 dB (A)	
<b>Purtați căști de protecție</b>		
<b>Informații privind вибрациите:</b> Valorile totale de oscilație (suma vectorială pe trei direcții)determinate conform normei EN 60745.		
Valoarea emisiei de oscilații a <sub>n</sub> / Nesigurantă K		
Șlefuirea suprafețelor		5,5 m/s <sup>2</sup> / 1,5 m/s <sup>2</sup>
Șlefuirea cu foaie de șlefuit		3,2 m/s <sup>2</sup> / 1,5 m/s <sup>2</sup>
La alte utilizări, ca de ex. retezatul cu mașina de șlefuit sau șlefuitul cu peria de sârmă de oțel, valorile вибрациilor pot fi diferite!		

**AVERTISMENT!**

Nivelul вибрациите и emisiei de zgomot indicat în această fișă informativă a fost măsurat în conformitate cu o metodă standard de testare specificată în EN 60745 și se poate utiliza pentru a compara dispozitivele între ele. Acesta се може да се използва и в една оценка предварително за експоненцията.

Nivelul declarat al вибрациите и emisiei sonore reprezintă principalele aplicații ale dispozitivului. Cu toate acestea, dacă dispozitivul este utilizat pentru aplicații diferite, cu accesorii diferite sau întreținуте necoresпunzător, emisията de вибрациии згомоте може да се различава. Acest lucru може да доведе до увеличаване на нивелите на експоненцията в цялата период на работа.

О estimare a nivelului de експоненция la вибрациии згомоте ar trebui să țină cont și de моментите в които устройството е оprit sau când функционира, dar nu realizează de fapt нито работа. Acest lucru може да reduce semnificativ нивелите на експоненцията в цялата период на работа.

Идентифицирайте мѐсyри de сигурантѐа suplimentare pentru a proteja operatorul de efectele вибрациilor и/или zgomotului, cum ar fi: întreținутеa dispozitivului и а accesorilor, мѐнтинереа caldă a mâinilor, organizarea modelelor de lucru.

**AVERTISMENT!** Citiți toate avizele de siguranță și indicațiile. Nerespectarea indicațiilor de avertizare și а инструкциilor може да provoca electrocutare, incendii и/или răniri grave.

**Пăстражи toate indicațiile de avertizare și инструкциunile в vederea utilizării viitoare.**

**INSTRUCȚIUNI DE SIGURANȚĂ PENTRU POLIZORUL UNGHIULAR**

Avertismente comune pentru șlefuire, șlefuire cu hârtie abrazivă, lucrul cu periile de sârmă, lustruire și tăiere:

**a) Această sculă electrică se va folosi ca polizor, perie de sârmă și mașină specială de retezat cu disc abraziv.**

**Respectați toate avertismentele, instrucțiunile, reprezentările și datele primite împreună cu scula electrică.** În cazul в който не veți respecta următoarele инструкции, се може да се случи electrocutare, incendii и/или răniri grave.

**b) Această sculă electrică nu este adecvată pentru lustruire.** Utilizarea sculei electrice la opepații pentru care не е concepută може да cauzeze pericole и accidentări.

**c) Nu folosiți dispozitive de lucru care nu sunt prevăzute și recomandate в mod special de către producător pentru această sculă electrică.** Faptul в sine că устройството respectiv може да се монтира на scula dumneavoastră electrică nu garantează в нито един случай използването на сигурно.





Pentru o durată de viață cât mai lungă, acumulatorii ar trebui scoși din încărcător după încărcare.

La depozitarea acumulatorilor mai mult de 30 zile:

Acumulatorii se depozitează la cca. 27°C și la loc uscat.

Acumulatorii se depozitează la nivelul de încărcare de cca. 30%-50%.

Acumulatorii se încarcă din nou la fiecare 6 luni.

#### Protecție la suprasarcină la acumulatorii Li-Ion

În cazul unei suprasolicitări a acumulatorului datorită unui consum excesiv de curent electric, de ex. datorită unor momente de turație extrem de înalte, a unei opriri subite sau a unui scurt circuit, scula electrică trepidează timp de 5 secunde, indicația stării de încărcare palpăie și scula electrică se deconectează de la sine.

Pentru reconectare dați drumul întrerupătorului și conectați din nou. În cazul unor sarcini extreme, acumulatorul se încinge prea tare. În acest caz toate lămpile indicației stării de încărcare palpăie până când acumulatorul s-a răcit. După ce indicația stării de încărcare s-a stins se poate lucra mai departe.

#### Transportul acumulatorilor cu ioni de litiu

Acumulatorii cu ioni de litiu cad sub incidența prescripțiilor legale pentru transportul de mărfuri periculoase.

Transportul acestor acumulatori trebuie să se efectueze cu respectarea prescripțiilor și reglementărilor pe plan local, național și internațional.

Consumatorilor le este permis transportul rutier nerestricționat al acestui tip de acumulatori.

Transportul comercial al acumulatorilor cu ioni de litiu prin intermediul firmelor de expediție și transport este supus reglementărilor transportului de mărfuri periculoase. Pregătirile pentru expediție și transportul au voie să fie efectuate numai de către personal instruit corespunzător. Întregul proces trebuie asistat în mod competent.

Următoarele puncte trebuie avute în vedere la transportul acumulatorilor:

Pentru a se evita scurtcircuite, asigurați-vă de faptul că sunt protejate și izolate contactele.

Aveți grijă ca pachetul de acumulatori să nu poată aluneca în altă poziție în interiorul ambalajului său. Este interzis transportarea unor acumulatori deteriorați sau care pierd lichid. Pentru indicații suplimentare adresați-vă firmei de expediție și transport cu care colaborați.

#### INDICAȚII DE LUCRU

Pentru sculele care se intenționează a fi dotate cu roți cu orificiu filetat, asigurați-vă că filetul roții este destul de lung pentru a accepta lungimea axului.

Întotdeauna utilizați și păstrați discurile de șlefuire și de tăiere numai în conformitate cu instrucțiunile producătorului.

Întotdeauna utilizați aparatoarea de protecție când se degroșează și se separă.

Discurile de șlefuit cu centrul depresat trebuie montate astfel încât suprafața abrazivă să nu treacă peste marginea planului carcasei de protecție.

Piulița de reglare trebuie să fie stransă înainte de începerea lucrului cu această mașină.

Utilizați întotdeauna mânerul auxiliar.

Piesa de prelucrat trebuie fixată dacă nu este suficient de grea pentru a fi stabilă. Nu îndreptați niciodată piesa de prelucrat către discul polizorului cu mâna.

Piulița cu flanșă trebuie să fie bine stransă înainte de a pune mașina în funcțiune. Dacă scula nu este bine stransă cu piulița cu flanșă, este posibil ca la frânare scula să-și piardă forța de fixare necesară.

#### PROTECȚIE ÎMPOTRIVA SUPRASOLICITĂRII ȘI RECOLULUI

Mașina este dotată cu un sistem de protecție la suprasolicitare și cu un sistem anti-recul și se oprește în cazul unei suprasolicitări corespunzătoare. Oprți dispozitivul electric și apoi reporniți dispozitivul electric pentru a continua lucrul.

#### MOALE DE PORNIRE

Pornirea electronică lină pentru economie previne funcționarea sacadată a mașinii.

#### SISTEM DE FRÂNARE

Frâna de funcționare se cuplează atunci când declanșatorul este eliberat, cauzând oprirea dispozitivului în câteva secunde.

Înainte de a-l pune jos în poziție culcată, asigurați-vă că dispozitivul inserat s-a oprit complet.

Comparativ cu dispozitivele fără frână de funcționare, timpul de funcționare va fi redus puternic la frânare.

#### ONE-KEY™

Pentru a afla mai multe despre funcționalitatea ONE-KEY a acestui dispozitiv, vă rugăm să consultați ghidul rapid anexat acestui produs sau să accesați <http://www.milwaukeetool.com/one-key>

Puteți descărca aplicația ONE-KEY de pe App Store sau Google Play pe Smartphone-ul dvs.

Defecțiunile cauzate de descărcările electrostatice provoacă inclusiv întreruperea comunicării prin Bluetooth. În acest caz conexiunea Bluetooth trebuie restabilită manual. Rezultatele verificării îndeplinesc standardele noastre minime conform EN 55014-2 / EN 301 489-1 / EN 301 489-17.

#### CURĂȚARE

Fantele de aerisire ale mașinii trebuie să fie menținute libere tot timpul

#### ÎNTREȚINERE

Utilizați numai accesorii și piese de schimb Milwaukee. Dacă unele din componente care nu au fost descrise trebuie înlocuite, vă rugăm contactați unul din agenții de service Milwaukee (vezi lista noastră pentru service / garanți

Dacă este necesară, se poate comanda o imagine descompusă a sculei. Vă rugăm menționați numărul art. Precum și tipul mașinii tipărit pe etichetă și comandați desenul la agenții de service locali sau direct la Techtronic Industries GmbH, Max-Eyth-Straße 10, 71364 Winnenden, Germany.

#### SIMBOLURI



Vă rugăm citiți cu atenție instrucțiunile înainte de pornirea mașinii



PERICOL! AVERTIZARE! ATENȚIE!



Îndepărtați acumulatorul înainte de începerea lucrului pe mașina



Nu înghiiți bateria tip nasture!



Nu utilizați dispozitivul de protecție pentru operații de debitare.



A nu se aplica forța.



Aplicați forța.



Purtați întotdeauna ochelari de protecție când utilizați mașina.



Purtați aparatoare de urechi.



Purtați o mască de protecție corespunzătoare împotriva prafului.



Purtați mănuși de protecție!



Operați întotdeauna cu două mâini.



Doar pentru lucrări de șlefuit.



Doar pentru lucrări de tăiere.



Aveți grijă la grosimea permisibilă a discului.



Accesorii - Nu este inclus în echipamentul standard, disponibil ca accesoriu



Aparatele electrice, bateriile/acumulatorii nu se elimină împreună cu deșeurile menajere. Aparatele electrice și acumulatorii se colectează separat și se predau la un centru de reciclare, în vederea eliminării ecologice. Informați-vă de la autoritățile locale sau de la comercianții acreditați în legătură cu centrele de reciclare și de colectare.



Turație nominală



Tensiune



Marcă de conformitate europeană



Marcă de conformitate britanică



Marcă de conformitate ucraineană



Marcă de conformitate eurasiatică





**ONE-KEY™**

За да дознаете повеќе за ONE-KEY функциите на овој уред, прочитајте го приложеното упатство за Брз старт или посетете нè на веб-страницата: <http://www.milwaukeeetool.com/one-key>

Апликацијата ONE-KEY можете да ја синнете на Вашиот смартфон преку App Store или Google Play.

Дефектите предизвикани како последица електростатски празнења водат кон прекин на bluetooth комуникацијата. Во тој случај, контакт со bluetooth мора повторно да биде воспоставен мануелно. Резултатите од испитувањата ги исполнуваат нашите минимални барања согласно EN 55014-2 / EN 301 489-1 / EN 301 489-17.

**ЧИЩЕЊА**

Вентилациските отвори на машината мора да бидат комплетно отворени постојано.

**ОДРЖУВАЊЕ**

Користете само Milwaukee додатоци и резервни делови. Доколку некои од компонентите кои не се опишани треба да бидат заменети, Ве молиме контактирајте ги сервисните агенти на Milwaukee (консултирајте ја листата на адреси).

Доколку е потребно можно е да биде набавен детален приказ на алатот. Ве молиме наведете го бројот на артиклот како и типот на машина кој е отпечатен на етикетата и порачајте ја скицата кај локалниот застапник или директно кај: Techtronic Industries GmbH, Max-Eyth-Straße 10, 71364 Winnenden, Germany.

**СИМБОЛИ**

	Ве молиме пред да ја стартувате машината обрнете внимание на упатствата за употреба.
	<b>ВНИМАНИЕ! ПРЕДУПРЕДУВАЊЕ! ОПАСНОСТ!</b>
	Извадете го батерискиот склоп пред отпочнување на каков и да е зафат врз машината.
	Не проголтајте ја ќелиската батерија!
	Штитникот немојте да го користите за отсекување.
	Не употребувајте сила.
	Примени сила.
	Секогаш при користење на машината носете ракавици.
	Носете штитник за уши.
	Не ја вдишувајте. Носете соодветна заштитна маска.

	Носете ракавици!
	Секогаш работете со обеете раце.
	Само за работи на брусење.
	Само за работи на сечење.
	Внимавајте на дозволената дебелина на дискот.
	Дополнителна опрема - Не е вклучена во стандардната, а достапна е како додаток.
	Електричните апарати и батериите што се полнат не смеат да се фрлат заедно со домашниот отпад. Електричните апарати и батериите треба да се собираат одделно и да се однесат во соодветниот погон заради нивно фрлање во склад со начелата за заштита на околината. Информирајте се кај Вашите местни служби или кај специјализираниот трговски претставник, каде има такви погони за рециклажа и собирни станици.
<b>n</b>	Номинална брзина
<b>v</b>	Напон
	Истосмерна струја
	Европска ознака за сообразност
	Британска ознака за сообразност
	Украинска ознака за сообразност
	Евроазиска ознака за сообразност

**ТЕХНИЧНИ ХАРАКТЕРИСТИКИ****M18 ONEFLAG230XPDB**

Тип конструкції	Акумулаторна кутова шліфувальна машина
Номер виробу	4835 68 01 XXXXXX MJJJJ
Напруга знімної акумулаторної батареї	18 V $\equiv$
Диапазон частот Bluetooth (диапазони частот)	2400 - 2483,5 MHz
потужність високої частоти	2 dBm
Версія Bluetooth	4.2 BT signal mode
Номинальна кількість обертів	6600 min <sup>-1</sup>
Різьба шпинделя	M14
D=Ø шліфувального диску макс.	230 mm
d=Ø отвору	22,2 mm
	b=Товщина шліфувального диску макс. 8 mm
	b=Товщина відрізного диску макс. / мин. 3 mm / 1,9 mm
	D=Діаметр шліфувального диска макс. 230 mm
	D=Ø чашкової щітки макс. 100 mm
Вага згідно з процедурою EPTA 01/2014 (Li-Ion 2,0 Ah ... 12,0 Ah)	4,2 ... 5,4 kg
Температура навколишнього середовища, рекомендована для експлуатації	-18 ... +50 °C
Рекомендовані акумулатори	M18B...; M18HB...
Рекомендовані зарядні пристрої	M12-18...; M1418C6
<b>Інформація про шум:</b> Виміряні значення визначені згідно з EN 60745	
Рівень шуму "А" приладу становить в типовому випадку:	
Рівень звукового тиску / похибка K =	88,4 dB (A) / 3 dB (A)
Рівень звукової потужності / похибка K =	99,4 dB (A) / 3 dB (A)
<b>Використовувати засоби захисту органів слуху!</b>	
<b>Інформація щодо вібрації:</b> Сумарні значення вібрації (векторна сума трьох напрямків), встановлені згідно з EN 60745.	
Значення вібрації a <sub>n</sub> / похибка K =	
Шліфування поверхні	5,5 m/s <sup>2</sup> / 1,5 m/s <sup>2</sup>
Шліфування диском з абразивної шкірки	3,2 m/s <sup>2</sup> / 1,5 m/s <sup>2</sup>
Для інших робіт, наприклад, відрізного шліфування або шліфування щіткою із сталевого дроту, можуть мати місце інші значення вібрації!	

**⚠ ПОПЕРЕДЖЕННЯ!**

Заявлені значення шумового випромінювання, вказані в цьому інформаційному аркуші, було виміряно відповідно до стандартизованого випробування згідно з EN 60745 та можуть використовуватися для порівняння одного інструмента з іншим. Вони також можуть використовуватися для попередньої оцінки рівня впливу на організм.

Вказані значення вібрації та шумового випромінювання дійсні для основних областей застосування інструмента. Якщо інструмент використовується в інших областях застосування чи з іншим приладдям або не проходить належне обслуговування, значення вібрації та шумового випромінювання можуть відрізнятись. Це може суттєво збільшити рівень впливу на організм протягом загального періоду роботи.

Під час оцінки рівня впливу вібрації та шумового випромінювання на організм також необхідно враховувати періоди, коли інструмент вимкнено, чи коли він працює, але фактично не використовується для виконання роботи. Це може суттєво знизити рівень впливу на організм протягом загального періоду роботи.

Визначте додаткові заходи для захисту оператора від впливу вібрації та/або шуму, наприклад, обслуговування інструмента та його приладдя, зберігання рук у теплі, організація графіків роботи.

**⚠ ПОПЕРЕДЖЕННЯ!** Прочитайте всі вказівки з техніки безпеки та інструкції. Упущення при дотриманні вказівок з техніки безпеки та інструкцій можуть призвести до ураження електричним струмом, пожежі та/або тяжких травм. **Зберігайте всі вказівки з техніки безпеки та інструкції на майбутнє.**

**ВКАЗІВКИ З ТЕХНІКИ БЕЗПЕКИ ДЛЯ КУТОВИХ ШЛІФУВАЛЬНИХ МАШИН**

**Загальні вказівки з техніки безпеки для шліфування, шліфування з наждачним папером, робіт з дротяними щітками та відрізного шліфування:**

**а) Цей електроінструмент використовується як шліфувальна машина, шліфувальна машина з наждачним папером, дротяна щітка та відрізна шліфувальна**













Copyright 2021  
Techtronic Industries GmbH  
Max-Eyth-Straße 10  
71364 Winnenden  
Germany  
+49 (0) 7195-12-0  
[www.milwaukeeetool.eu](http://www.milwaukeeetool.eu)

Techtronic Industries (UK) Ltd  
Parkway  
Marlow, SL7 1YL  
UK

(12.21)

**4931 4256 27**