

Milwaukee®

Nothing but **HEAVY DUTY**.®



M18 SMS216

Original instructions
Originalbetriebsanleitung
Notice originale
Istruzioni originali
Manual original
Manual original
Oorspronkelijke
gebruiksaanwijzing
Original brugsanvisning
Original bruksanvisning
Bruksanvisning i original

Alkuperäiset ohjeet
Πρωτότυπο οδηγίων χρήσης
Orijinal işletme talimatı
Původním návodem k používání
Pôvodný návod na použitie
Instrukcją oryginalną
Eredeti használati utasítás
Izvirna navodila
Originalne pogonske upute
Instrukcijām oriēināvalodā
Originalni instrukcija

Algupärane kasutusjuhend
Оригинальное руководство
по эксплуатации
Οριγiνaλiνo ρυκoυoδiνo
αυτoυ
Originalno ръководство за
експлоатация
Instrucțiuni de folosire originale
Оригинален прирачник за
работа
Оригiнaл iнcтpуκцiї з
екcплoуaтaцiї
التعليمات الأصلية

Technical Data, Safety Instructions, Specified Conditions of Use, Declaration of Conformity, Batteries, Maintenance, Symbols	Please read and save these instructions!	English	26
Technische Daten, Sicherheitshinweise, Bestimmungsgemäße Verwendung, CE-Konformitätserklärung, Akkus, Wartung, Symbole	Bitte lesen und aufbewahren!	Deutsch	30
Caractéristiques techniques, Instructions de sécurité, Utilisation conforme aux prescriptions, Déclaration CE de Conformité, Accus, Entretien, Symboles	A lire et à conserver soigneusement	Français	34
Dati tecnici, Norme di sicurezza, Utilizzo conforme, Dichiarazione di Conformità CE, Batterie, Manutenzione, Simboli	Si prega di leggere e conservare le istruzioni!	Italiano	39
Datos técnicos, Instrucciones de seguridad, Aplicación de acuerdo a la finalidad, Declaración de Conformidad CE, Batería, Mantenimiento, Símbolos	Lea y conserve estas instrucciones por favor!	Español	43
Características técnicas, Instruções de segurança, Utilização autorizada, Declaração de Conformidade CE, Acumulador, Manutenção, Símbolo	Por favor leia e conserve em seu poder!	Português	47
Technische gegevens, Veiligheidsadviezen, Voorgeschreven gebruik van het systeem, EC-Konformiteitsverklaring, Akku, Onderhoud, Symbolen	Lees en let goed op deze adviezen!	Nederlands	51
Tekniske data, Sikkerhedshenvisninger, Tiltænkt formål, CE-Konformitetsklæring, Batteri, Vedligeholdelse, Symboler	Vær venlig at læse og opbevare!	Dansk	55
Tekniske data, Spesielle sikkerhetshenvisninger, Formålmessig bruk, CE-Samsvarserklæring, Batterier, Vedlikehold, Symboler	Vennligst les og oppbevar!	Norsk	59
Tekniska data, Säkerhetsutrustning, Använd maskinen Enligt anvisningarna, CEFörsäkran, Batterier, Skötsel, Symboler	Läs igenom och spara!	Svenska	63
Tekniset arvot, Turvallisuusohjeet, Tarkoituksenmukainen käyttö, Todistus CE-standardinmukaisuudesta, Akku, Huolto, Symbolit	Lue ja säilytä!	Suomi	67
Τεχνικά στοιχεία, Ειδικές υποδείξεις ασφαλείας, Χρήση σύμφωνα με το σκοπό προορισμού, Δήλωση πιστότητας EK, Μπαταρίες, Συντήρηση, Σύμβολα.	Παρακαλούμε να τις διαβάσετε και να τις φυλάξετε!	Ελληνικά	71
Teknik veriler, Güvenliğinizi için talimatlar, Kullanım, CE uygunluk beyanice, Akü, Bakım, Semboller	Lütfen okuyun ve saklayın	Türkçe	76
Technická data, Speciální bezpečnostní upozornění, Oblast využití, Ce-prohlášení o shodě, Akumulátory, Údržba, Symboly	Po přečtení uschovejte	Česky	80
Technické údaje, Špeciálne bezpečnostné pokyny, Použitie podľa predpisov, Ce-Vyhľadanie konformity, Akumulátory, Údržba, Symboly	Prosím prečítajte a uschovajte!	Slovensky	84
Dane techniczne, Specjalne zalecenia dotyczące bezpieczeństwa, Użytkowanie zgodne z przeznaczeniem, Świadcstwo zgodności ce, Baterie Akumulatorowe, Utrzymanie, Symbole	Należy uważnie przeczytać i zachować do wglądu!	Polski	88
Műszaki adatok, Különleges biztonsági tudnivalók, Rendeltetésszerű használat, Ce-azonossági nyilatkozat, Akuk, Karbantartás, Szimbólumok	Olvassa el és őrizze meg	Magyar	92
Tehnični podatki, Specialni varnostni napotki, Uporaba v skladu z namembnostjo, Ce-izjava o konformnosti, Akumulatorji, Vzdrževanje, Simboli	Prosim preberite in shranite!	Slovensko	96
Tehnički podaci, Specijalne sigurnosne upute, Propisna upotreba, Ce-Izjava konformnosti, Baterije, Održavanje, Simboli	Molimo pročitati i sačuvati	Hrvatski	100
Tehniskie dati, Speciālie drošības noteikumi, Noteikumiem atbilstošs izmantojums, Atbilstība CE normām, Akumulātori, Apkope, Simboli	Lūdzu, izlasīt un uzglabāt!	Latviski	104
Techniniai duomenys, Ypatingos saugumo nuorodos, Naudojimas pagal paskirti, CE Atitikties pareiškimas, Akumuliatoriai, Techninis aptarnavimas, Simboliai	Prašome perskaityti ir neišmesti!	Lietuviškai	108
Tehnilised andmed, Spetsiaalsed turvajuhised, Kasutamise vastavalt otstarbele, EÜ Vastavusavaldus, Akud, Hooldus, Sümbolid	Palun lugege läbi ja hoidke alal!	Eesti	112
Технические данные, Указания по безопасности, Использование, Декларация о соответствии стандартам ЕС, Аккумулятор, Обслуживание, Символы	Пожалуйста прочтите и сохраните эту инструкцию.	Русский	116
Технически данни, Специални указания за безопасност, Използване по предназначение, CE - Декларация за съответствие, Аккумулятори, Поддръжка, Символи	Моля прочетете и запазете!	Български	121
Date tehnice, Instrucțiuni de securitate, Condiții de utilizare specifice, Declarație de conformitate, Acumulatori, Intreținere, Simboluri	Va rugăm citiți și păstrați aceste instrucțiuni	Română	126
Технички податоци, Упатства за употреба, Специфицирани услови на употреба, EУ- декларација за Сообразност, Батерии, Одржување, Символи	Ве молиме прочитајте го и чувајте го ова упатство!	Македонски	130
Технічні характеристики, Вказівки з Техніки Безпеки, Використання за призначенням, Сертифікат Відповідності Вимогам Єс, Акумуляторні батареї, Обслуговування, Символи	Прочитайте та збережіть цю інструкцію.	Українська	135
البيانات الفنية تعليمات السلامة شروط الاستخدام المحددة، البطاريات، إعلان المطابقة - الاتحاد الأوروبي، الصيانة، الرموز		يُرجى قراءة وحفظ هذه التعليمات!	العربية





2



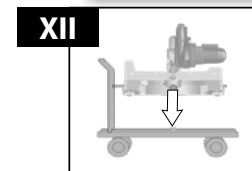
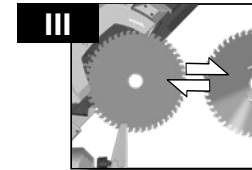
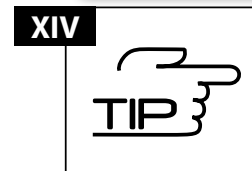
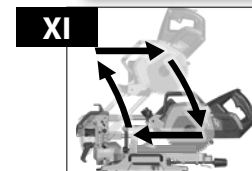
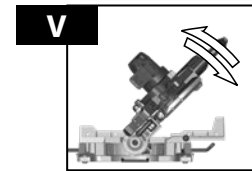
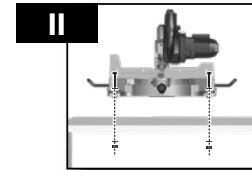
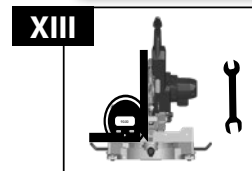
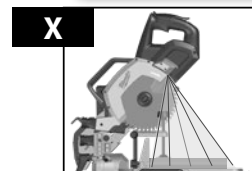
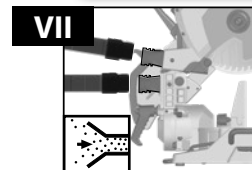
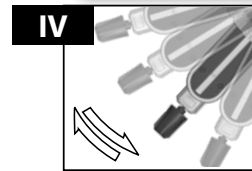
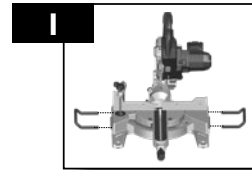
2



3

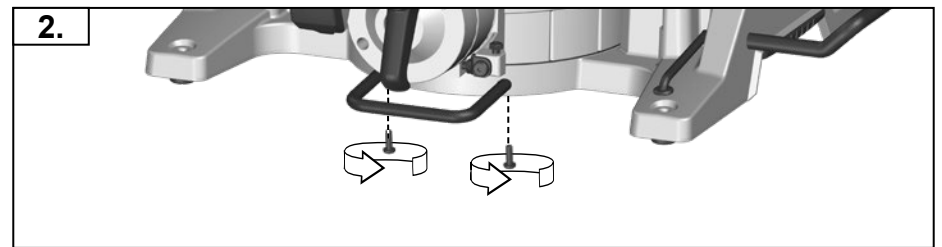
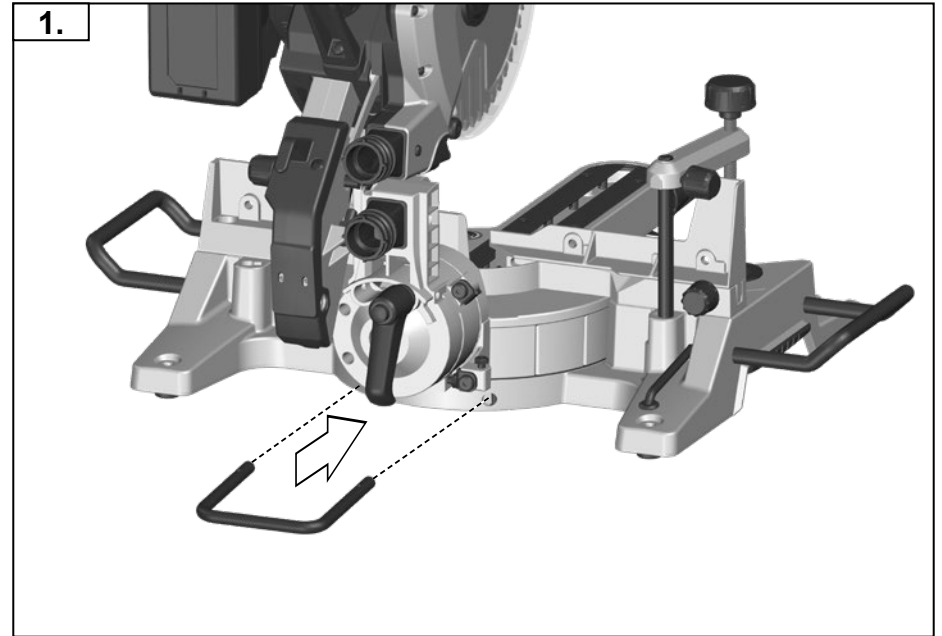
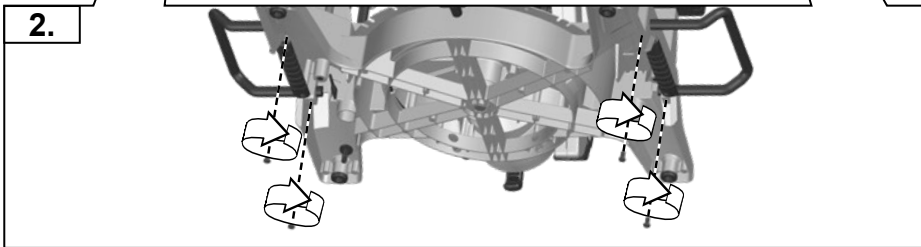
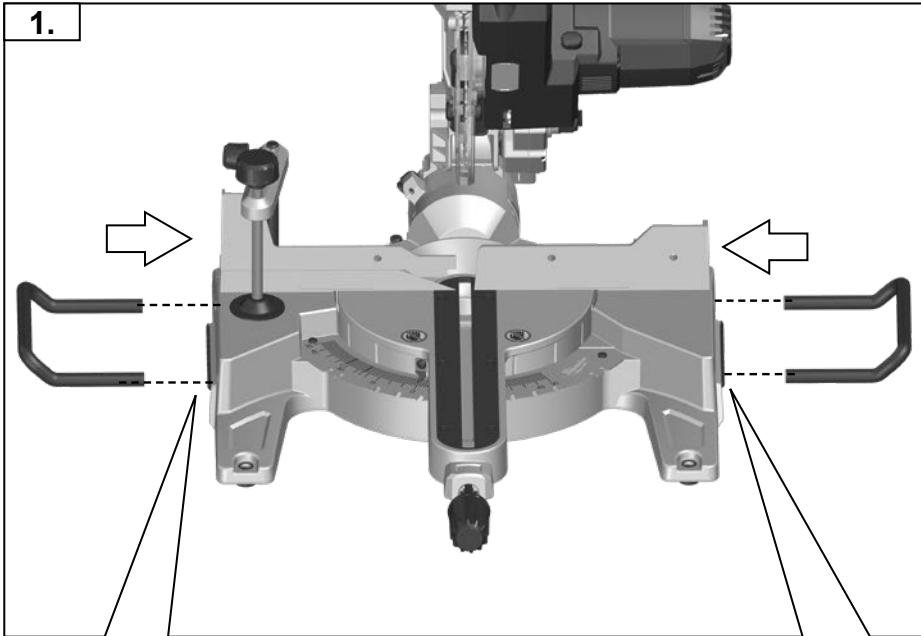
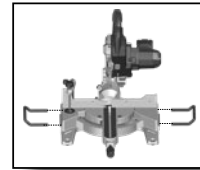
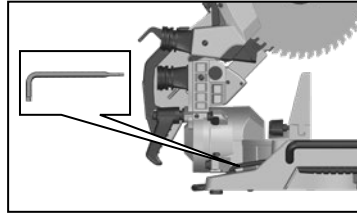
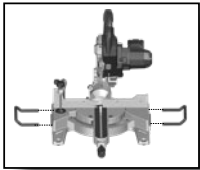


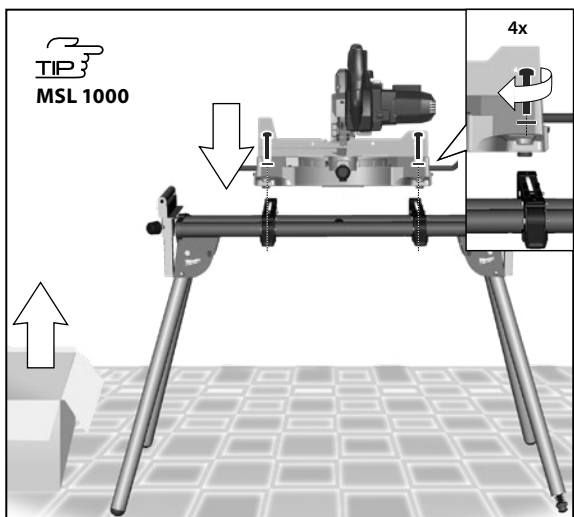
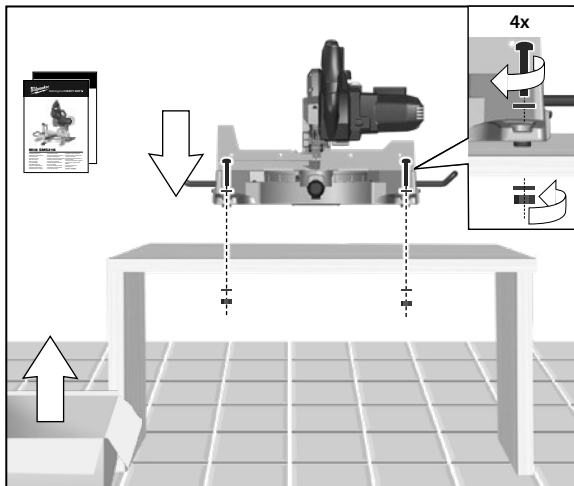
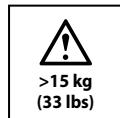
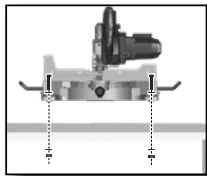
10



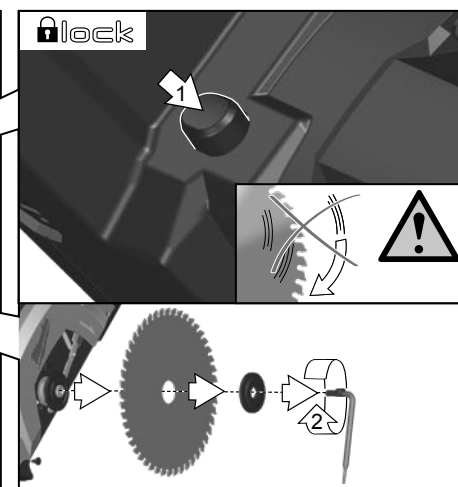
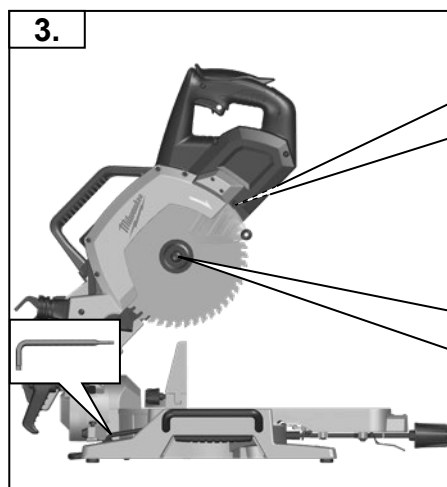
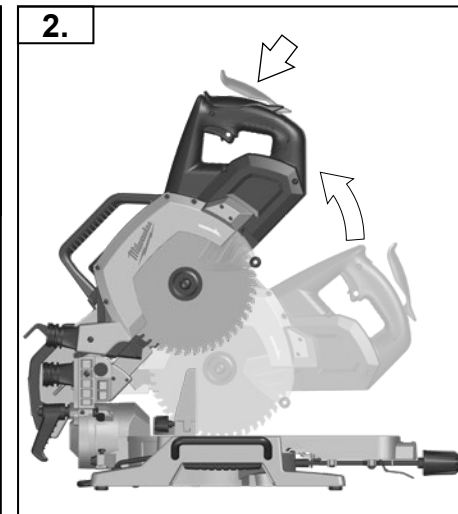
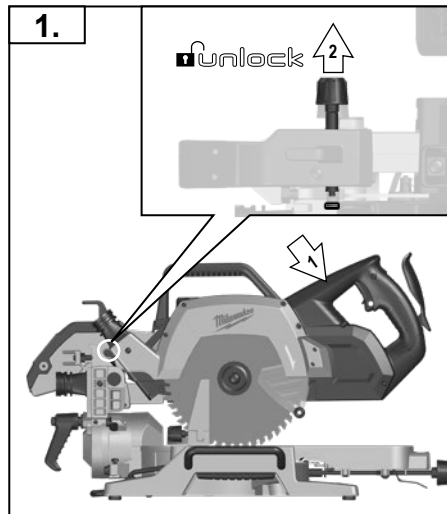
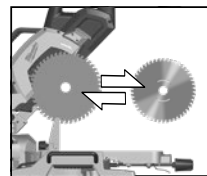
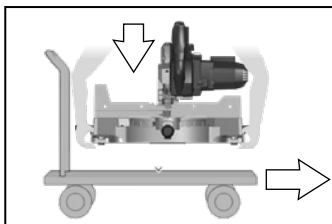

 Accessory
 Zubehör
 Accessoires
 Accessorio
 Accessorio • Acessório • Accessorio
 Toebehoren • Tilbehør
 Tilbehør • Tillbehör
 Lisälaite • Εξαρτήματα
 Aksesuar • Pihluselustm
 Prislusenstv • Wyposażenie
 Azokat a tartozékokat
 Oprema • Piederumi
 Priedas • Tarvikud
 Дополнитель • Аксесоари
 Accessorii • ополнителна
 опрема • Комплектуочи
 الملحقات

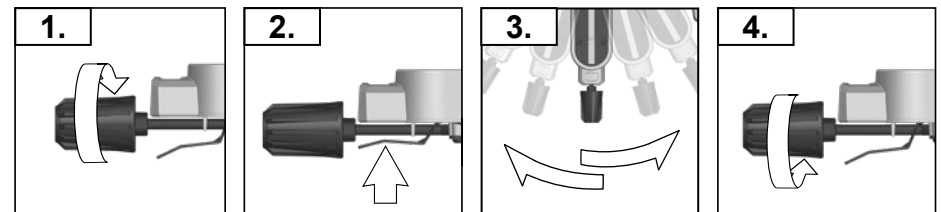
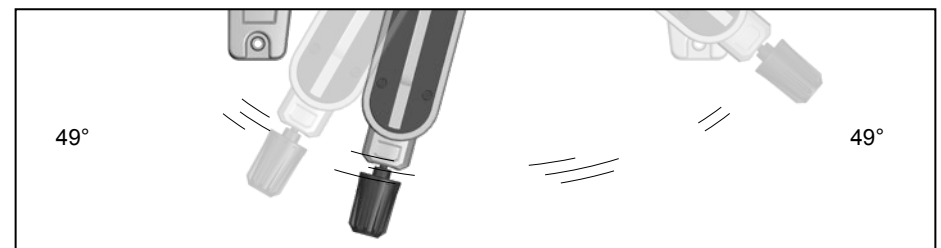
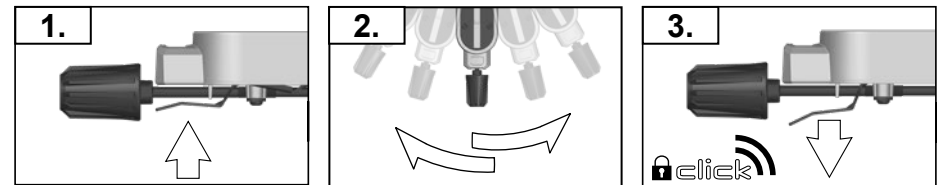
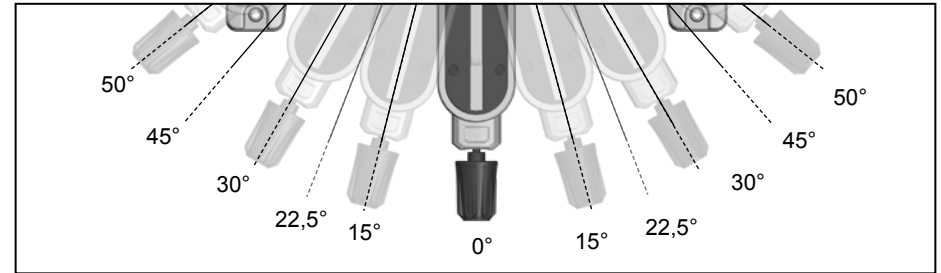
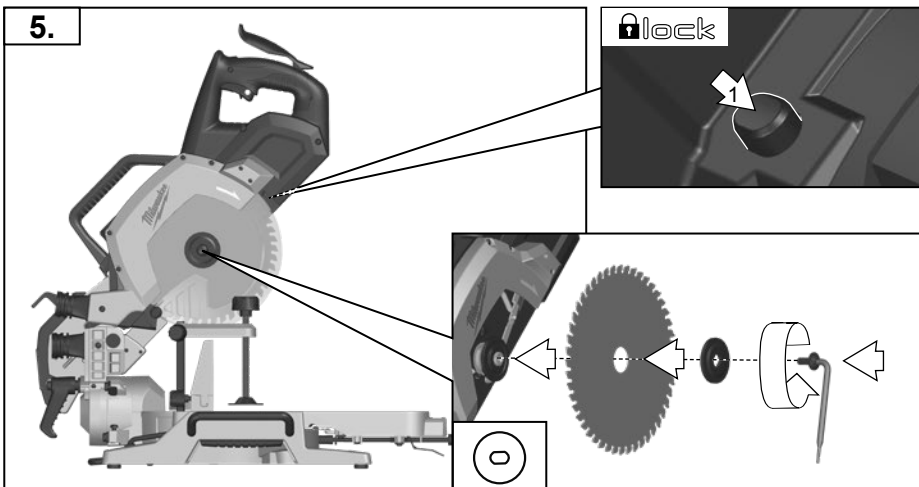
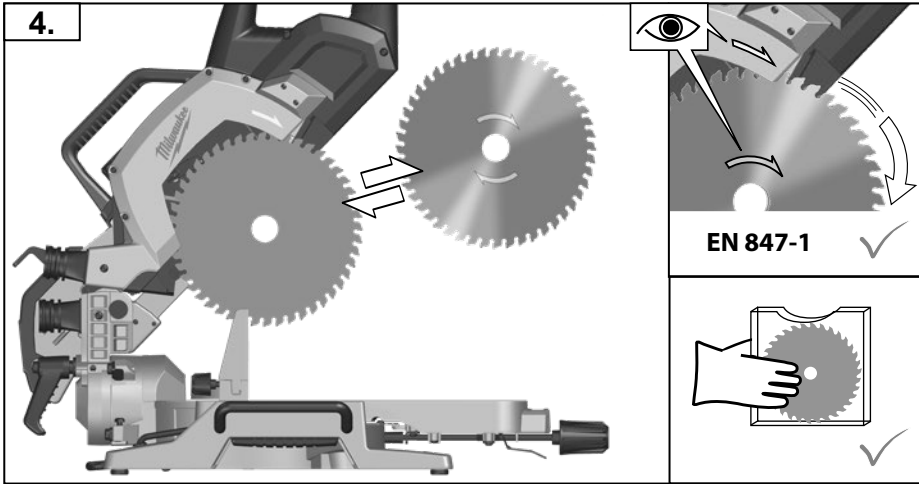
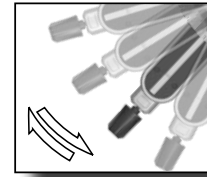
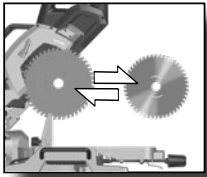
ische Daten • Technical Da
 actéristiques techniques • D
 ьсниси • Datos técnicos • Teknik veri
 Características • Technici
 ata • Technici • podaci
 Tehni • podaci • podaci
 ehri • podaci • podaci
 Tehni • podaci • podaci
 annye • podaci • podaci
 Technische Daten • Technical Data

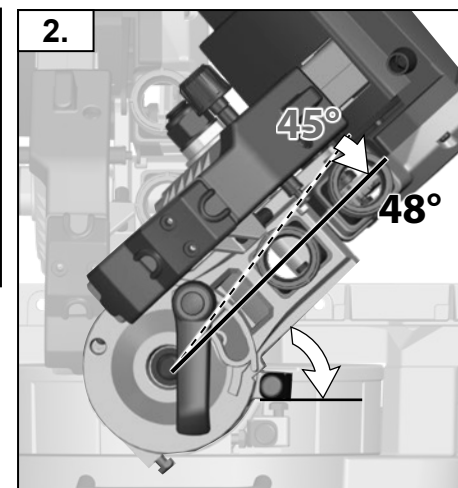
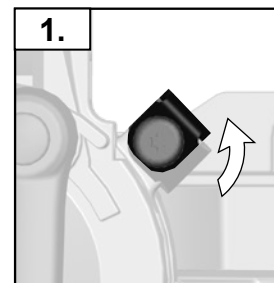
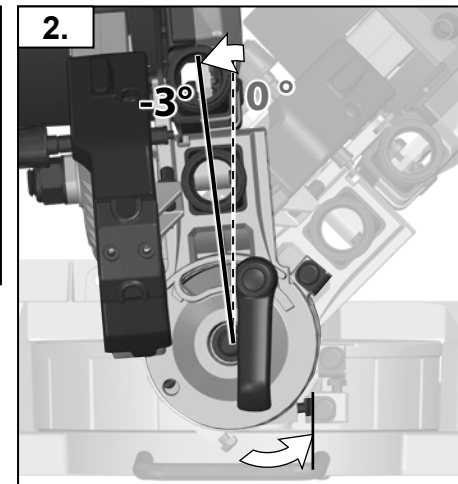
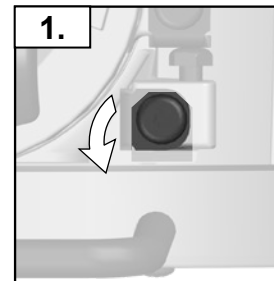
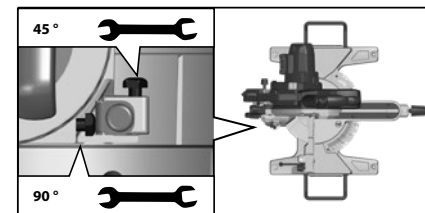
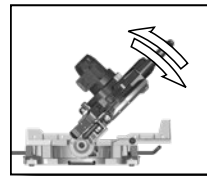
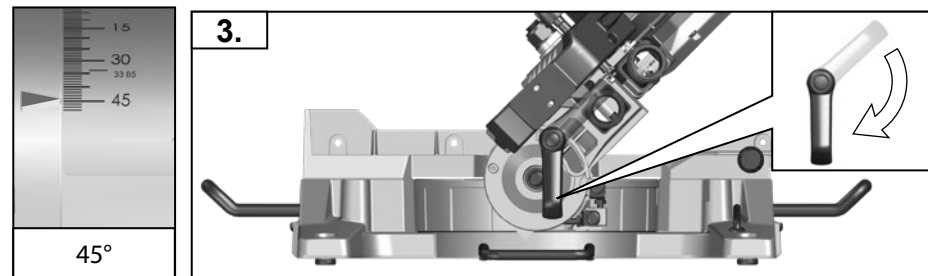
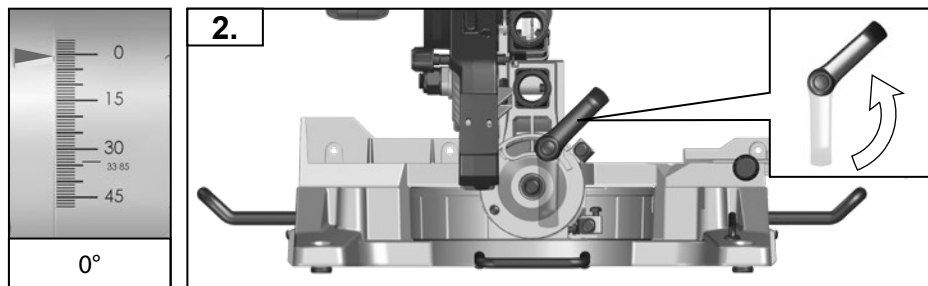
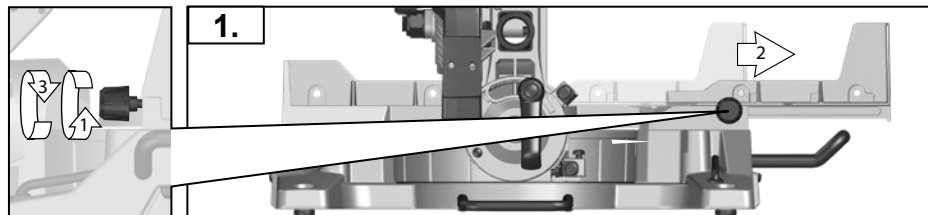
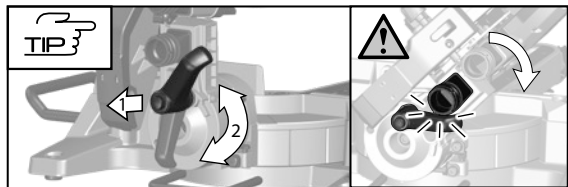
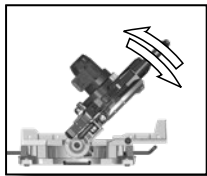


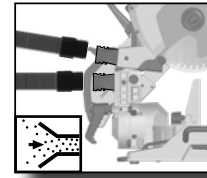
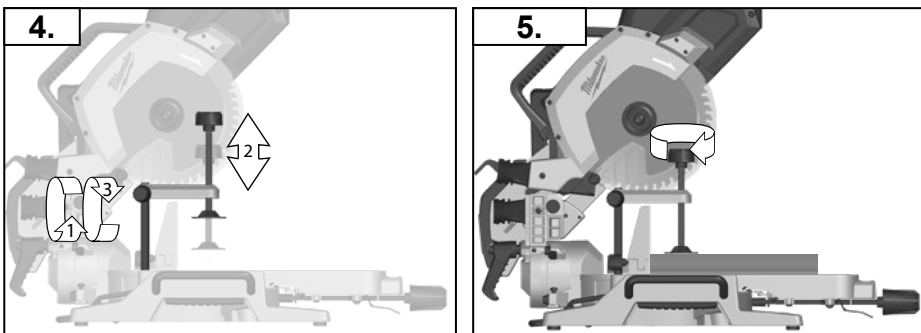
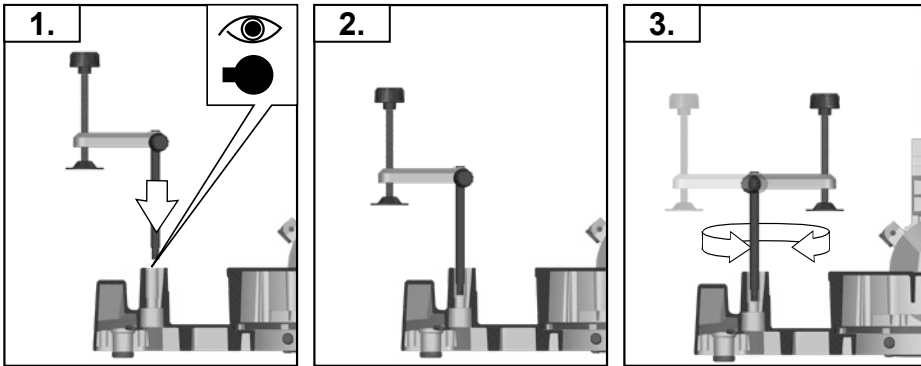
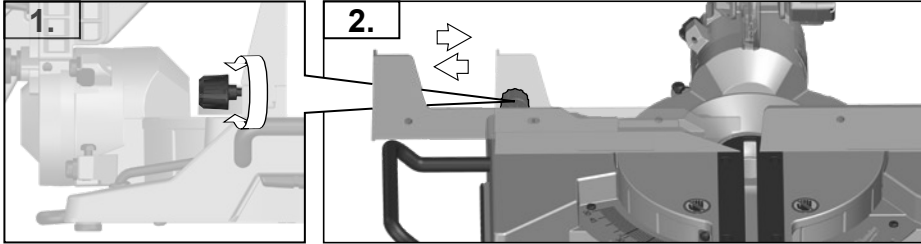


Not included in standard equipment.
 Im Lieferumfang nicht enthalten.
 Ces pièces ne font pas partie de la livraison.
 on incluso nella dotazione standard.
 Não incluído en el equipo estándar.
 Wordt niet meegeleverd.
 Ikke inkludert i leveringsomfanget.
 Inngår ikke i leveransen.
 Ingår ej i leveransomfånget.
 Ei sisälly vakiovarustukseen.
 Δεν συμπεριλαμβάνεται
 Teslimat kapsamında değildir.
 V dodávce neobsaženo.
 Neobsahuje štandardnú výbavu.
 Nie stanowi wyposażenia standardowego
 Nem tartozéka a készüléknek.
 Ni v obsegu dobave.
 U opsegu isporuke nije sadržano.
 Komplektācijā nav ietverts.
 Nejeina j komplektacija.
 Ei kuulu tarne komplekti.
 Не входит в объем поставки
 Не е включено в обема на доставката.
 Nu este inclus în echipamentul standard
 Не е включено во стандардна опрема
 Не входит в обсяг постачання.
 ليس مدرجا كمعدة قياسية

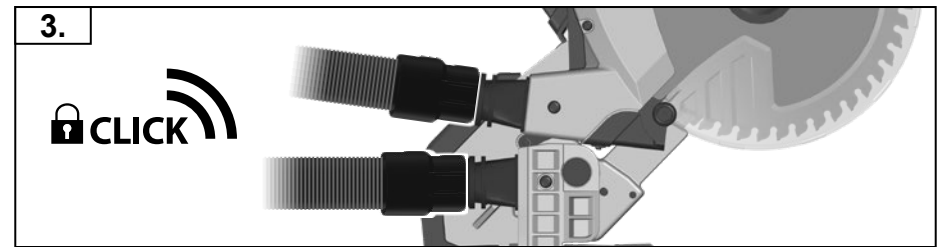
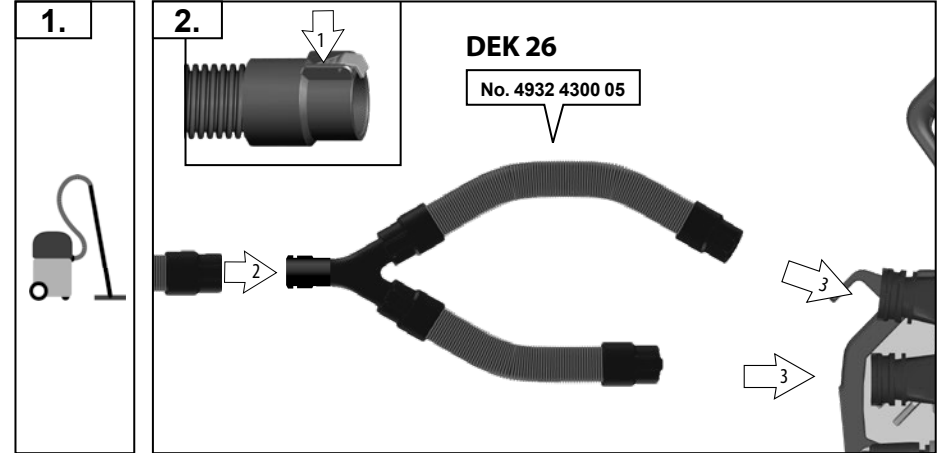


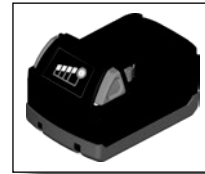




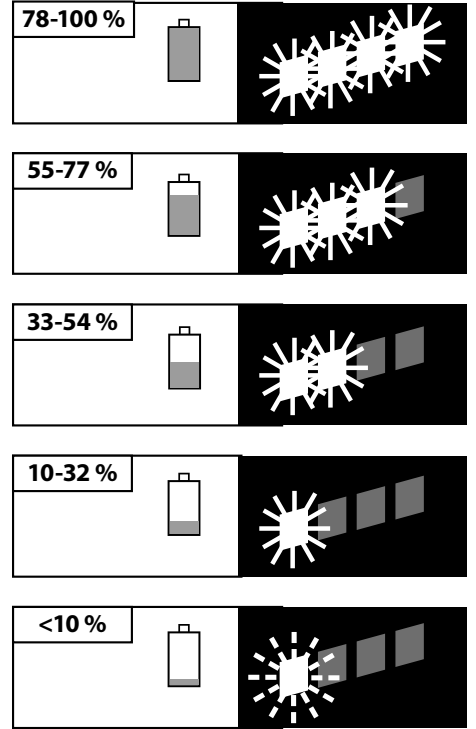
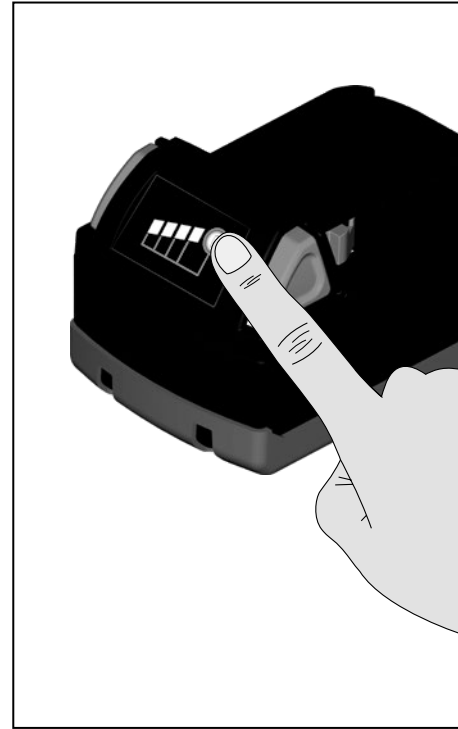
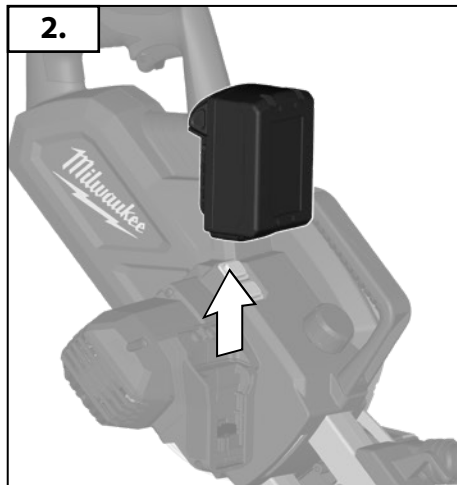
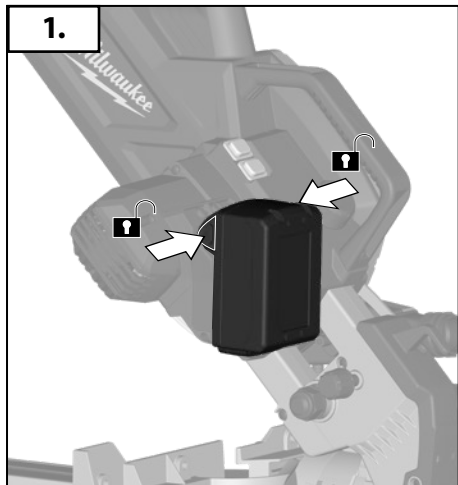
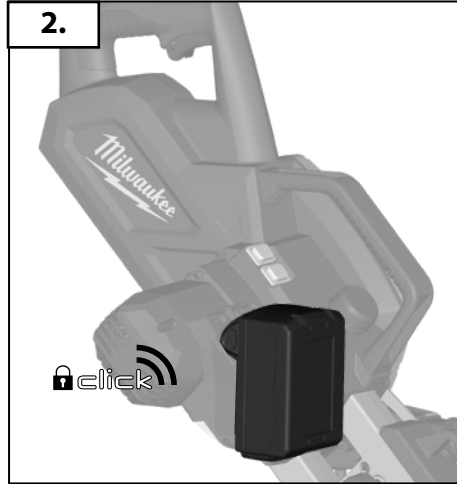
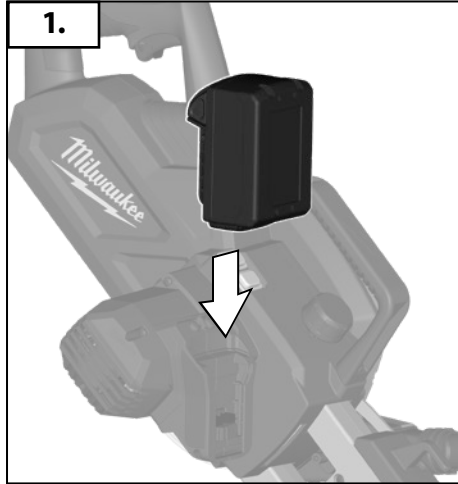


A	AS 2-250	4931 4472 95
B	AS 300 AS 30 AS/42	4931 4472 94





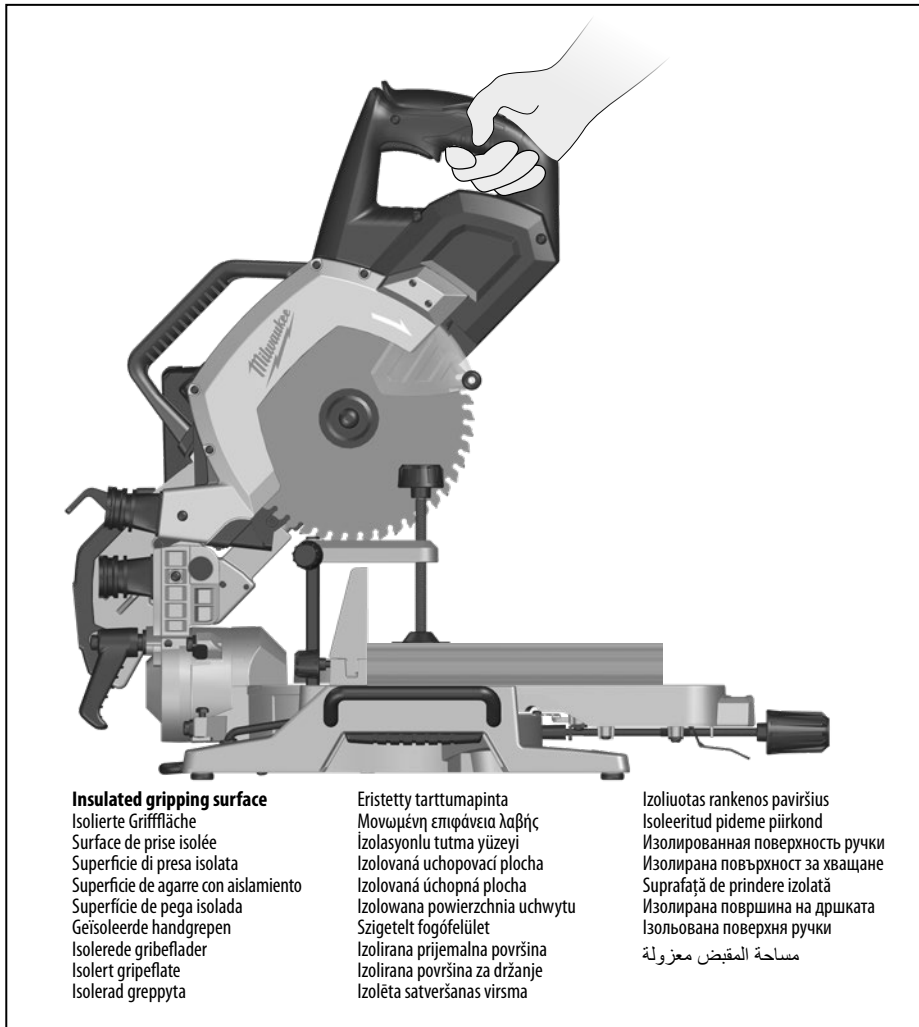
VIII



VIII



START
STOP
IX

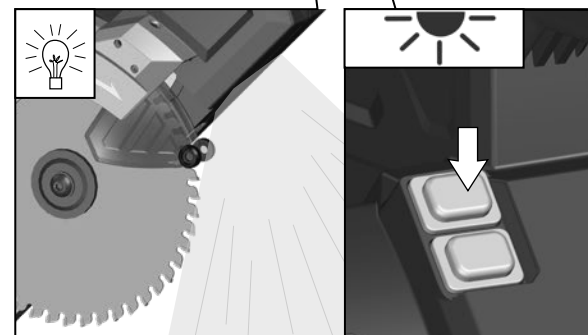
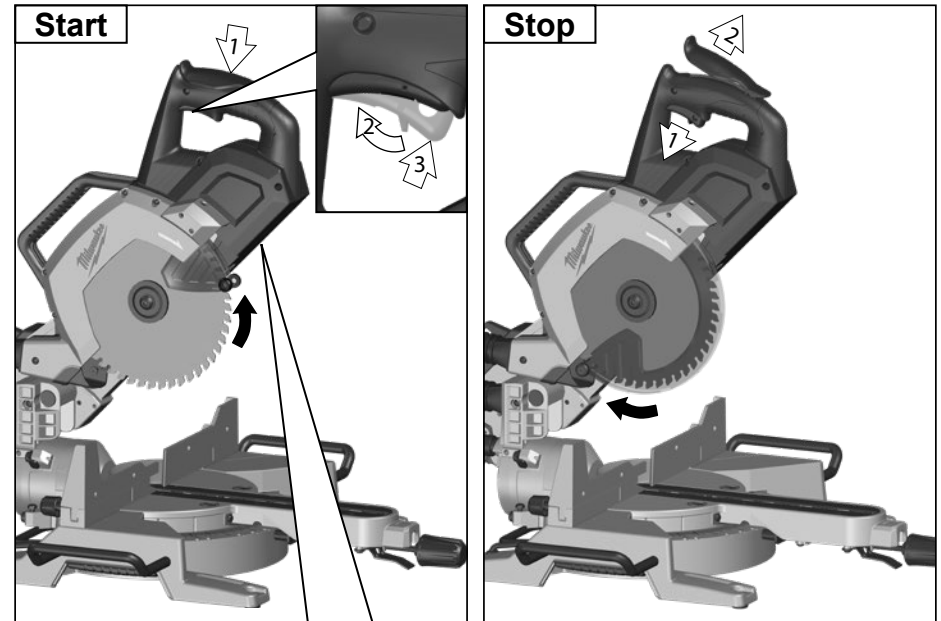


Insulated gripping surface

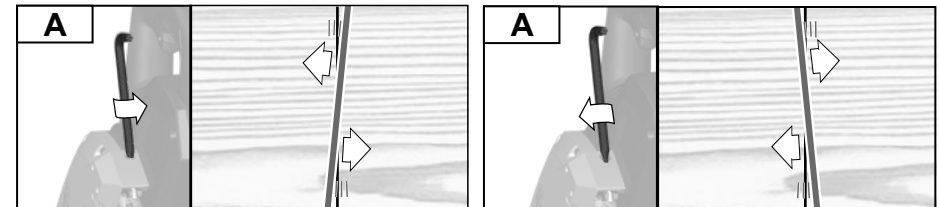
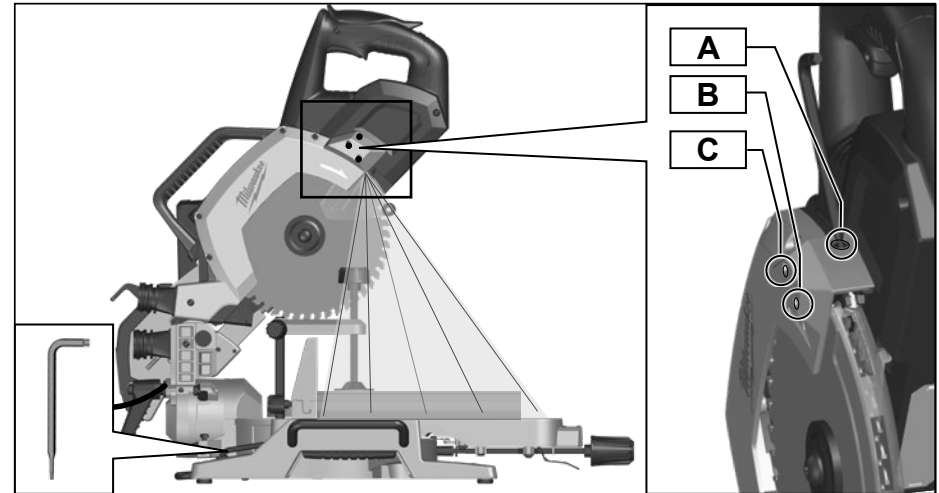
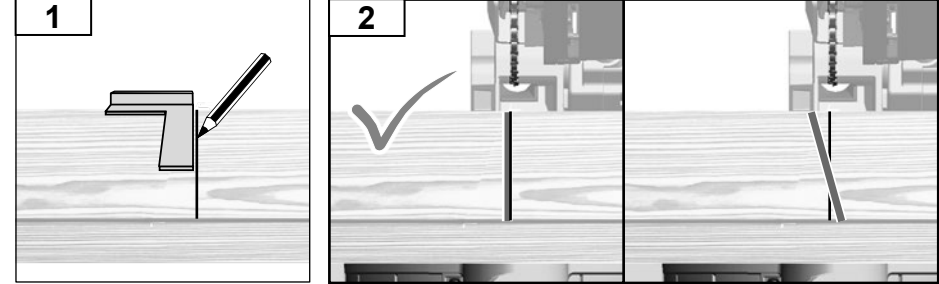
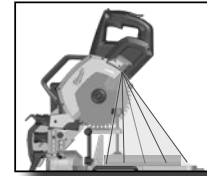
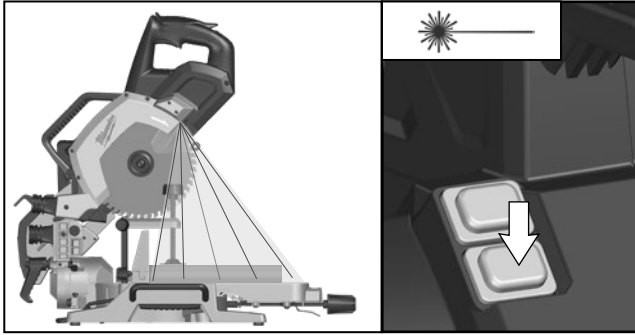
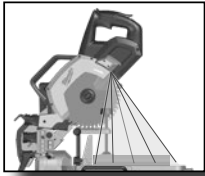
Isolierte Grifffläche
Surface de prise isolée
Superficie di presa isolata
Superficie de agarre con aislamiento
Superficie de pega isolada
Geïsoleerde handgrepen
Isolerede gripeflader
Isolert gripeflate
Isolerad greppytta

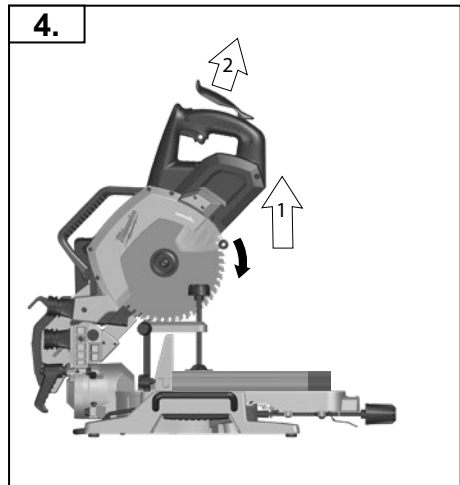
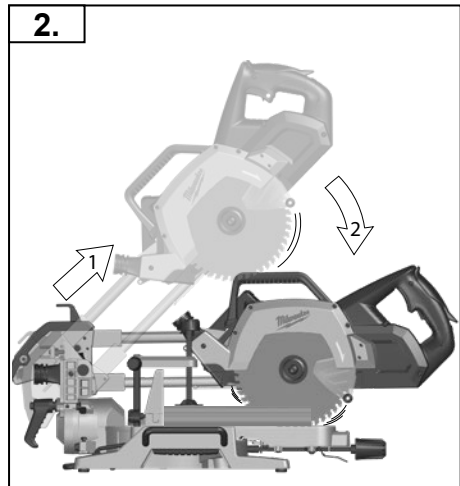
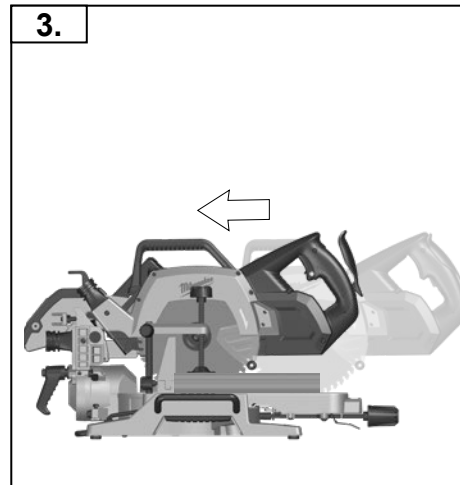
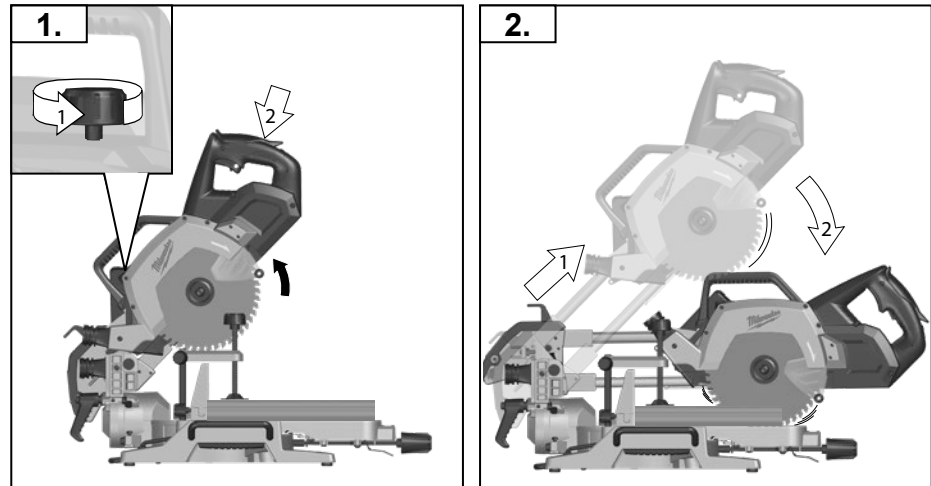
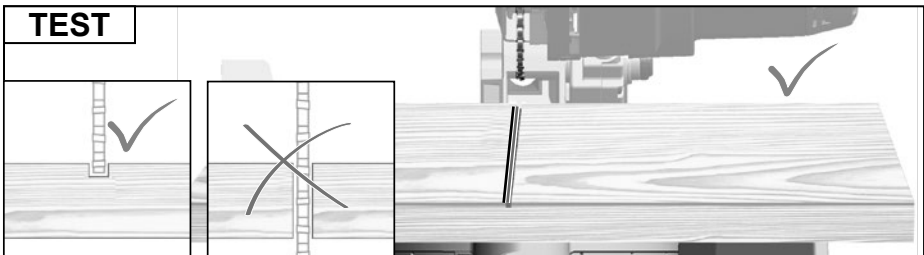
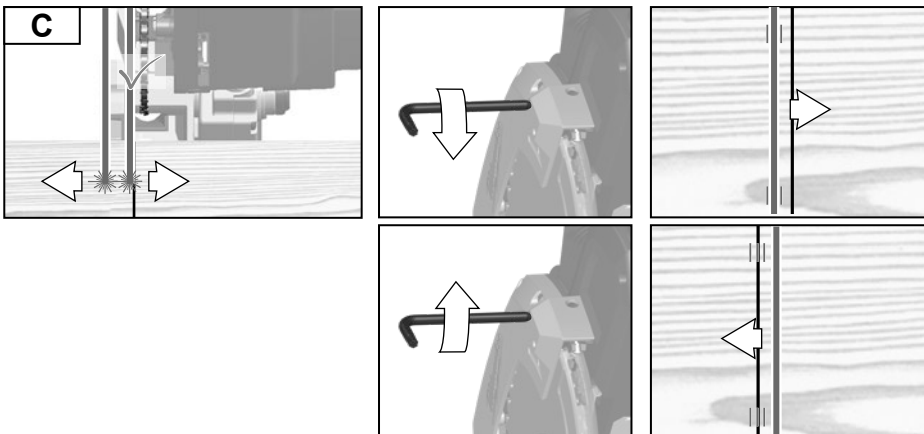
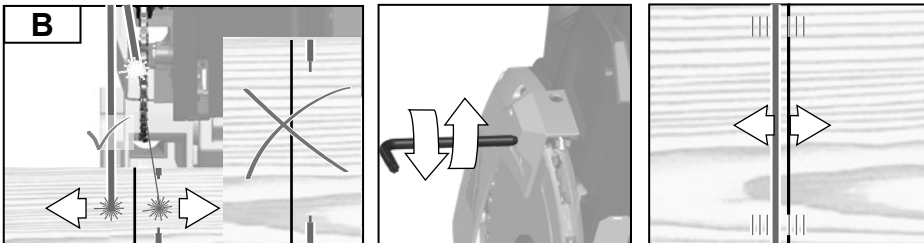
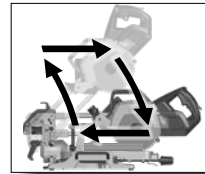
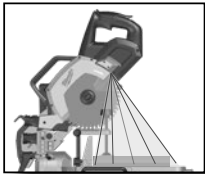
Eristetty tarttumapinta
Μονωμένη επιφάνεια λαβής
İzolasyonlu tutma yüzeyi
Izolovaná uchopovací plocha
Izolovaná úchopná plocha
Izolowana powierzchnia uchwytu
Szigetelt fogófelület
Izolirana prijemalna površina
Izolirana površina za držanje
Izolēta satveršanas virsma

Izolīuotas rankenos paviršius
Isolēeritud pideme piirkond
Изолированная поверхность ручки
Изолирана повърхност за хващане
Suprafață de prindere izolată
Изолирана површина на дршката
Изолювана поверхня ручки
مساحة المقبض معزولة

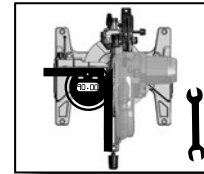
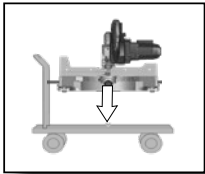


START
STOP
IX

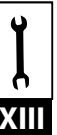
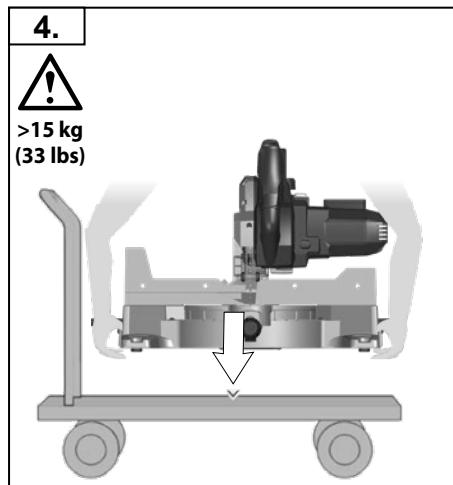
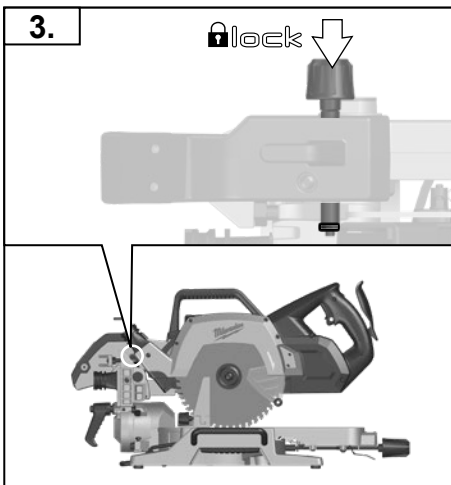
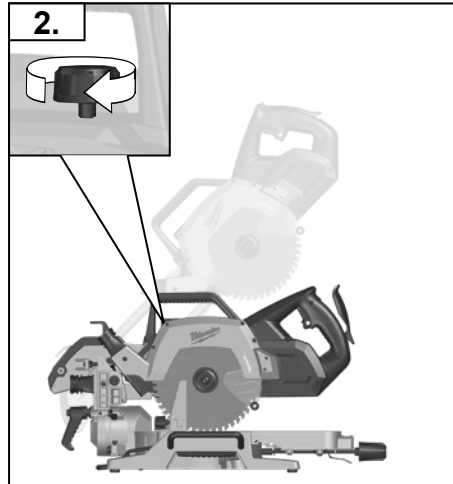
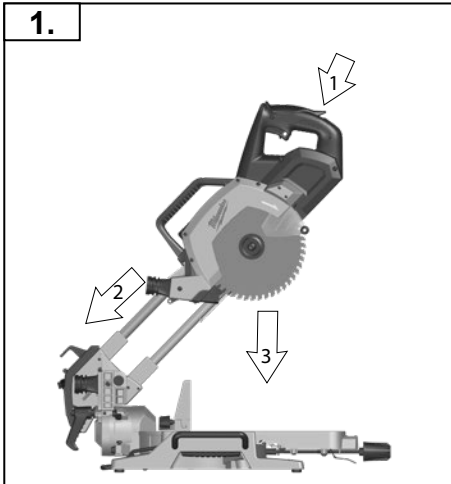




XI



XII



XIII

If a correction of the 90° angle of the guide-plate to the saw blade is necessary, use the correction screw.

Falls eine Korrektur des 90° Winkels der Führungsplatte zum Sägeblatt nötig ist, diese mit der Korrekturschraube durchzuführen

Si une correction de l'angle à 90° de la plaque de base par rapport à la lame de scie s'avère nécessaire, il convient alors d'avoir recours à la vis de correction.

Nella caso in cui si rendesse necessaria una correzione dell'angolo di 90° della piastra di base rispetto alla lama, questa potrà essere effettuata agendo sulla vite di correzione.

Si es necesario un ajuste o corrección de perpendicularidad (90°) del disco de sierra actuar sobre el tornillo de ajuste.

Caso se torne necessário corrigir a esquadria da base em relação ao disco de corte, agir sobre o parafuso de afinação.

Indien een correctie van de 90° hoek van de bodemplaat ten opzichte van het zaagblad nodig is kan deze worden gecorrigeerd met de correctieschroef.

Såfremt det er nødvendigt med en korrektion af bundpladens 90° vinkel i forhold til savklingen, gennemføres denne med korrektionsskruen.

Hvis det er nødvendigt å foreta en justering av 90°-vinkelen på føringsplaten i forhold til

sagbladet, må dette gjøres med justeringsskruen.

Med stålskruv är det möjligt att justera 90°-vinkeln, bottenplatta till sågklingen.

Mikäli pohjalevyn 90°-kulman oikaisu sahanterään nähden on tarpeen, oikaisu suoritetaan oikaisuruuvista.

Kilavuz levhanın testere bıçağına 90°lik konumunda bir düzeltme gerekiyorsa, bunu düzeltme vidası ile yapın.

Je-li nutná oprava kolmosti vodící desky k pilovému kotouči, provedte to nastavovací šroubem.

Ak je potrebná korektúra 90° uhlu vodiacej platne k pilovému listu, použite korekčnú skrutku.

Jeżeli konieczne jest skorygowanie kąta ustawienia płytki prowadzącej 90° w stosunku do brzoźczota, należy wykorzystać do tego celu śrubę regulacyjną.

Ha az alaplap és a fűrészlap által bezárt 90 fokos szög korrekcióra szorul, használja az állító csavart.

Če je potrebna korektura 90° kota vodilne plošče k žaginemu listu, to opravite s pomočjo korekturnega vijaka.

Ako je potrebna korektura kuta vodeće ploče od 90° prema listu pile, ovu izvesti sa vijkom za korekturu.

Gadjijumä, ja nepieciešama atbalsta plāksnes 90° leņķa korekcija attiecībā pret zāga ripu, izmantojiet korekcijas skrūvi.

Je-li tarp kreipiamosios ir pjūklro reikalinga 90° laipsnių pataisa, tai atlikite pataisus varžtu.

Juhul kui on vaja parandada juhtplaadi 90° nurka saelehe suhtes, siis tehke seda korrigeeriva kruviga.

Для регулировки угла 90 град направляющей шины пильного полотна служит

регулирующий винт. Ако е необходима корекция на ъгъла от 90°

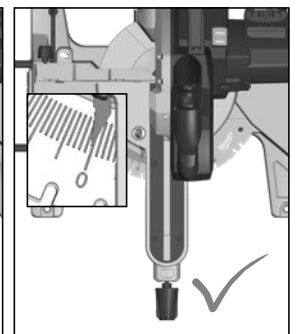
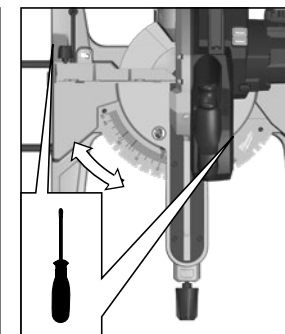
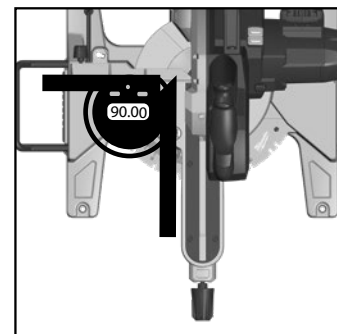
наводещата плоча спрямо режещия диск, направете я с коригиращия винт.

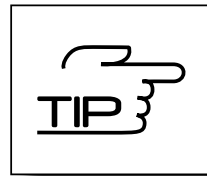
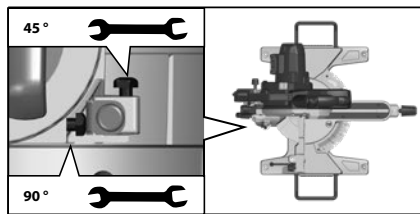
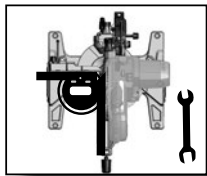
Dacă este necesară o corecție în unghi de 90° a plăcii de ghidare față de lama ferăstraului, utilizați șurubul de corecție.

Доколку е потребно коригирање на аголот од 90° водечката површина на кон сечилото на пилата, користет го шрафот за корекција.

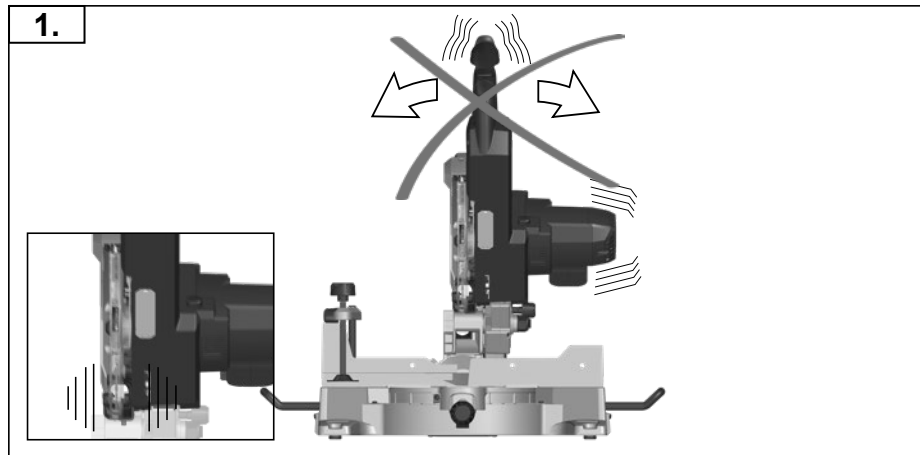
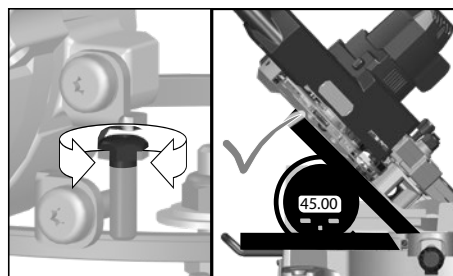
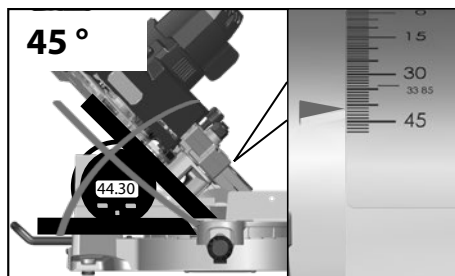
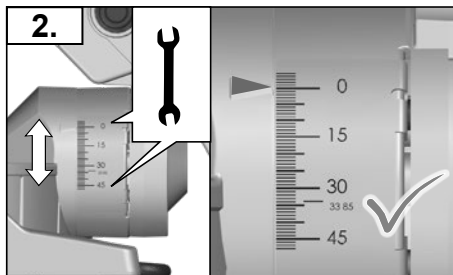
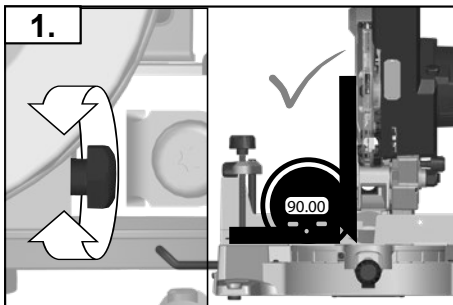
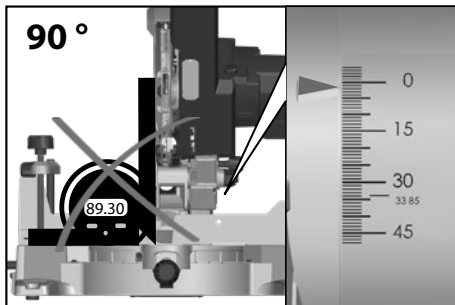
Якщо необхідна корекція кута 90° напрямної пластини пилкового диску, виконати корекцію за допомогою регульовального гвинта

إذا تطلب الأمر تصحيح الزاوية القائمة للوحة التوجيه الخاصة بشفرة المنشار، استخدم برغي التصحيح للقيام بذلك.

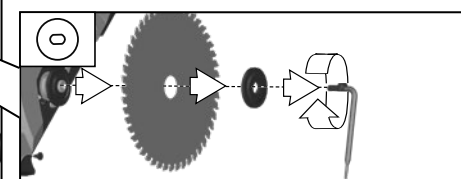
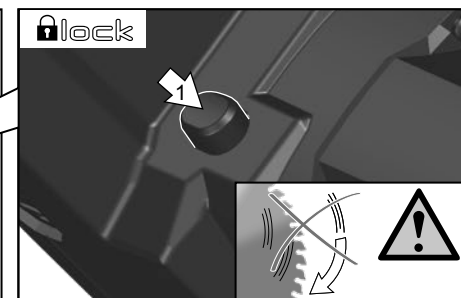
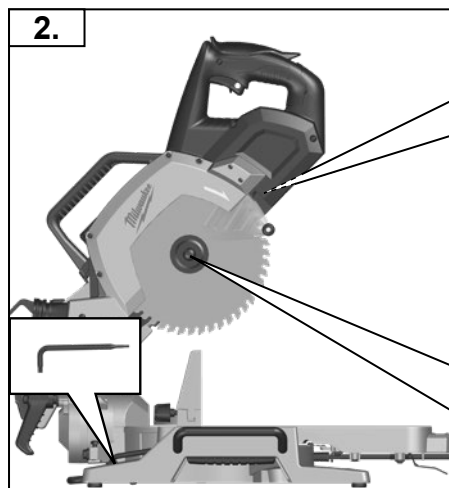


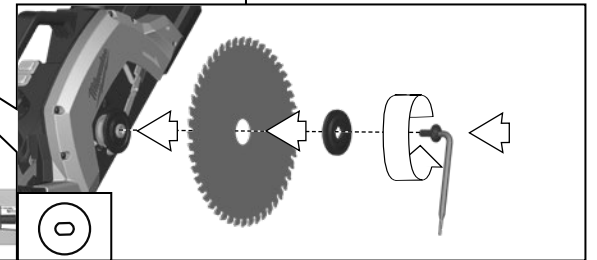
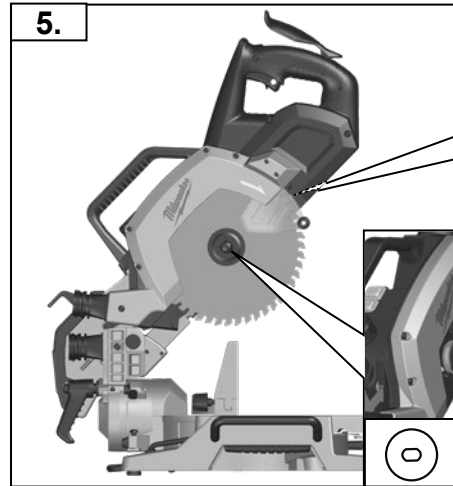
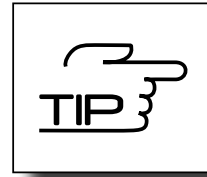
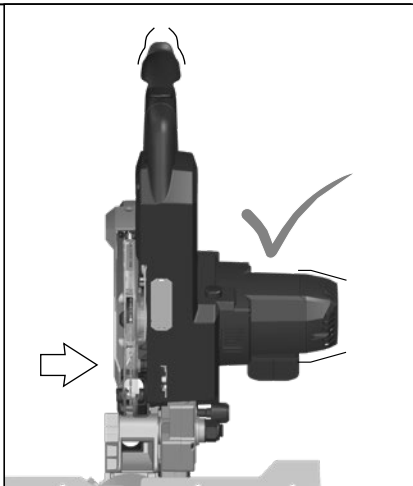
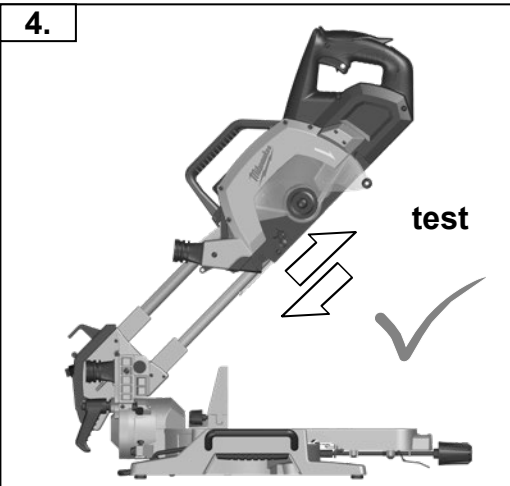
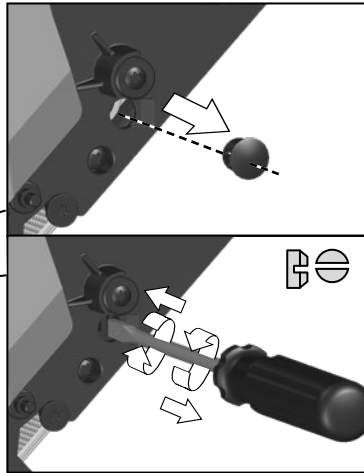
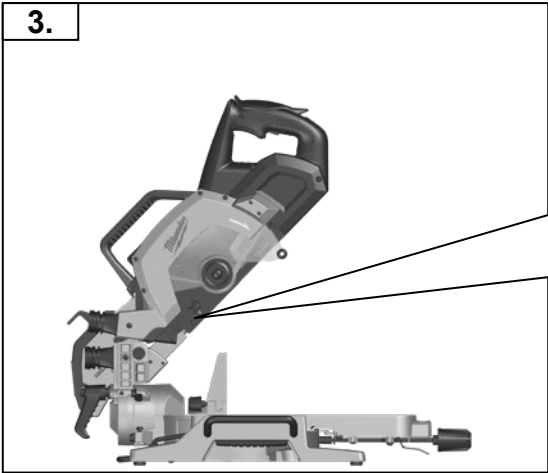
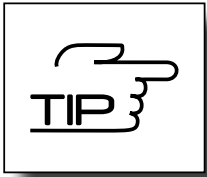


XIII



XIV





XIV

Technical Data Mitre saw	M18 SMS216
Production code	4745 85 04... ... 000001-999999
No-load speed	2700 min ⁻¹
Battery voltage	18V ---
Saw blade dia. x hole dia	216 x 30 mm
Saw blade thickness	1,5 mm
Cutting width max. Mitre 0°/ Bevel 0° Mitre 45°/ Bevel 0° Mitre 0°/ Bevel 45° Mitre 45°/ Bevel 45°	60 x 270 mm 60 x 190 mm 48 x 270 mm 48 x 190 mm
Min. workpiece dimensions	130 x 35 x 2 mm
Recommended Ambient Operating Temperature	-5°C - +40°C
Recommended battery types	M18B..., M18HB...
Recommended charger	M12-18..., M1418 C6
Weight according EPTA-Procedure 01/2014	14,5 kg
The laser radiation used in this saw is Class II with maximum P≤1mW and λ:620 ~ 660 nm wavelengths.	
Noise information Measured values determined according to EN 62841. Typically, the A-weighted noise levels of the tool are: Sound pressure level (Uncertainty K=3dB(A)) Sound power level (Uncertainty K=3dB(A)) Wear ear protectors!	91,8 dB (A) 105 dB (A)

WARNING:

The noise emission level given in this information sheet has been measured in accordance with a standardized test given in EN 62841 and may be used to compare one tool with another. It may be used for a preliminary assessment of exposure.

The declared noise emission level represents the main applications of the tool. However if the tool is used for different applications, with different accessories or poorly maintained, noise emission may differ. This may significantly increase the exposure level over the total working period.

An estimation of the level of exposure to noise should also take into account the times when the tool is switched off or when it is running but not actually doing the job. This may significantly reduce the exposure level over the total working period.

Identify additional safety measures to protect the operator from the effects of noise such as: maintain the tool and the accessories and organization of work patterns.

Wear ear protectors. Exposure to noise can cause hearing loss.

⚠ WARNING Read all safety warnings, instructions, illustrations and specifications provided with this power tool. Failure to follow all instructions listed below may result in electric shock, fire and/or serious injury.
Save all warnings and instructions for future reference.

⚠ SAFETY INSTRUCTIONS FOR MITRE SAWS

a) **Mitre saws are intended to cut wood or wood-like products, they cannot be used with abrasive cut-off wheels for cutting ferrous material such as bars, rods, studs, etc.** Abrasive dust causes moving parts such as the lower guard to jam.

Sparks from abrasive cutting will burn the lower guard, the kerf insert and other plastic parts.

b) **Use clamps to support the workpiece whenever possible. If supporting the workpiece by hand, you must always keep your hand at least 100 mm from either side of the saw blade. Do not use this saw to cut pieces that are too small to be securely clamped or held by hand.** If your hand is placed too close to the saw blade, there is an increased risk of injury from blade contact.

c) **The workpiece must be stationary and clamped or held against both the fence and the table. Do not feed the workpiece into the blade or cut "freehand" in any way.** Unrestrained or moving workpieces could be thrown at high speeds, causing injury.

d) **Push the saw through the workpiece. Do not pull the saw through the workpiece. To make a cut, raise the saw head and pull it out over the workpiece without cutting, start the motor, press the saw head down and push the saw through the workpiece.** Cutting on the pull stroke is likely to cause the saw blade to climb on top of the workpiece and violently throw the blade assembly towards the operator.

e) **Never cross your hand over the intended line of cutting either in front or behind the saw blade.** Supporting the workpiece "cross handed" i.e. holding the workpiece to the right of the saw blade with your left hand or vice versa is very dangerous.

f) **Do not reach behind the fence with either hand closer than 100 mm from either side of the saw blade, to remove**

wood scraps, or for any other reason while the blade is spinning. The proximity of the spinning saw blade to your hand may not be obvious and you may be seriously injured.

g) **Inspect your workpiece before cutting. If the workpiece is bowed or warped, clamp it with the outside bowed face toward the fence. Always make certain that there is no gap between the workpiece, fence and table along the line of the cut.** Bent or warped workpieces can twist or shift and may cause binding on the spinning saw blade while cutting. There should be no nails or foreign objects in the workpiece.

h) **Do not use the saw until the table is clear of all tools, wood scraps, etc., except for the workpiece.** Small debris or loose pieces of wood or other objects that contact the revolving blade can be thrown with high speed.

i) **Cut only one workpiece at a time.** Stacked multiple workpieces cannot be adequately clamped or braced and may bind on the blade or shift during cutting.

j) **Ensure the mitre saw is mounted or placed on a level, firm work surface before use.** A level and firm work surface reduces the risk of the mitre saw becoming unstable.

k) **Plan your work. Every time you change the bevel or mitre angle setting, make sure the adjustable fence is set correctly to support the workpiece and will not interfere with the blade or the guarding system.** Without turning the tool "ON" and with no workpiece on the table, move the saw blade through a complete simulated cut to assure there will be no interference or danger of cutting the fence.

l) **Provide adequate support such as table extensions, saw horses, etc. for a workpiece that is wider or longer than the table top.** Workpieces longer or wider than the mitre saw table can tip if not securely supported. If the cut-off piece or workpiece tips, it can lift the lower guard or be thrown by the spinning blade.

m) **Do not use another person as a substitute for a table extension or as additional support.** Unstable support for the workpiece can cause the blade to bind or the workpiece to shift during the cutting operation pulling you and the helper into the spinning blade.

n) **The cut-off piece must not be jammed or pressed by any means against the spinning saw blade.** If confined, i.e. using length stops, the cut-off piece could get wedged against the blade and thrown violently.

o) **Always use a clamp or a fixture designed to properly support round material such as rods or tubing.** Rods have a tendency to roll while being cut, causing the blade to "bite" and pull the work with your hand into the blade.

p) **Let the blade reach full speed before contacting the workpiece.** This will reduce the risk of the workpiece being thrown.

q) **If the workpiece or blade becomes jammed, turn the mitre saw off. Wait for all moving parts to stop and disconnect the plug from the power source and/or remove the battery pack. Then work to free the jammed material.** Continued sawing with a jammed workpiece could cause loss of control or damage to the mitre saw.

r) **After finishing the cut, release the switch, hold the saw head down and wait for the blade to stop before removing**

the cut-off piece. Reaching with your hand near the coasting blade is dangerous.

s) **Hold the handle firmly when making an incomplete cut or when releasing the switch before the saw head is completely in the down position.** The braking action of the saw may cause the saw head to be suddenly pulled downward, causing a risk of injury.

Additional Safety and Working Instructions

Use personal protective equipment. Always wear eye protection. Protective equipment such as a dust mask, non-skid safety shoes, hard hat or hearing protection used for appropriate conditions will reduce personal injuries.

Wear ear protectors. Exposure to noise can cause hearing loss.

The dust produced when using this tool may be harmful to health. Do not inhale the dust. Use a dust absorption system and wear a suitable dust protection mask. Remove deposited dust thoroughly, e.g. with a vacuum cleaner.

Connect the saw to a dust-collecting device when sawing wood. Before using the tool please read the instructions. If possible have the tool demonstrated.

Ensure that the machine is always stable and secure (e.g. fixed to a bench)

Keep the floor area free of loose material e.g. chips and cut-offs.

Do not use saw blades which are damaged or deformed

Do not use saw blades not corresponding to the key data given in these instructions for use.

Only use saw blade that meet standard EN 847-1.

Do not use saw blades made of high-speed steel.

It is necessary to select a saw blade which is suitable for the material being cut.

The rated speed of the accessory must be at least equal to the maximum speed marked on the power tool. Accessories running faster than their rated speed can break and fly apart.

Transport and store the tools in a suitable receptacle;

Do not use any flanges other than those supplied or indicated in the instruction manual to secure the saw blade.

Never use the mitre saw to cut materials other than those specified in the instruction manual.

Only use the saw with guards in good working order and properly maintained, and in position.

Refrain from removing any cut-offs or other parts of the workpiece from the cutting area whilst the machine is running and the saw head is not in the rest position.

Never reach into the danger area of the machine when it is running. Always use the protective shields on the machine.

Any faults with the machine, including any related to the safeguard or the saw blades, must be reported to the persons in charge of safety as soon as the faults are discovered.

Do not clamp the protective swing guard.

Long workpieces must be adequately supported.

The handle lock must always be engaged when transporting the mitre saw.

When performing mitre, bevel or compound mitre cuts, adjust the sliding fence to ensure the correct clearance from the blade.

Adapt the feed speed to avoid overheating the blade tips and to avoid melting plastic materials during cutting.

The insertion tool is sharp-edged and can become hot during use.

WARNING! Danger of cuts and burns

- when handling the insertion tools

- when setting the device down.

Wear protective gloves when handling insertion tools.

Even when the product is used as prescribed, it is still impossible to completely eliminate certain residual risk factors. The following hazards may arise in use and the operator should pay special attention to avoid the following:

- Impairment of hearing, restrict exposure and wear appropriate hearing protection.
- Health hazards caused by breathing dust developed when sawing wood, wear a mask if necessary.

LASER

Do not stare into beam. Do not point laser light at other persons.

Do not view directly into beam with optical instruments (binocular, telescope).

Do not point laser at reflective surfaces,

Avoid exposure to laser radiation. Laser may emit hazardous radiation.

Do not replace the installed laser with a different type. Any repairs must only be carried out by the authorized service agent.

SPECIFIED CONDITIONS OF USE

The mitre saw can be used for sawing solid wood, bonded wood, glued veneer, materials similar to wood, and plastics.

Stock having a round or irregular cross section (such as firewood) must not be cut, as it can not be securely held during cutting. When sawing thin stock layed on edge, a suitable auxiliary fence must be used for firm support.

RESIDUAL RISK

Even when the product is used as prescribed, it is still impossible to completely eliminate certain residual risk factors. The following hazards may arise in use and the operator should pay special attention to avoid the following:

- Injury caused by vibration. Hold the product by designated handles and restrict working time and exposure.
- Exposure to noise can cause hearing injury. Wear ear protection and limit exposure.
- Injury due to flying debris. Wear eye protection, heavy long trousers and substantial footwear at all times.
- Inhalation of toxic dusts.

EC-DECLARATION OF CONFORMITY

We declare under our sole responsibility that the product described under "Technical Data" fulfills all the relevant provisions of the directives

2011/65/EU, (EU) 2015/863 (RoHS)

2006/42/EC

2014/30/EU

and the following harmonized standards have been used.

EN 62841-1:2015+A11:2022

EN IEC 62841-3-9:2020+A11:2020

EN IEC 55014-1:2021

EN IEC 55014-2:2021

EN IEC 63000:2018



Winnenden, 2022-12-12

Alexander Krug / Managing Director
Authorized to compile the technical file

Techtronic Industries GmbH

Max-Eyth-Straße 10, 71364 Winnenden, Germany

GB-DECLARATION OF CONFORMITY

We declare as the manufacturer under our sole responsibility that the product described under "Technical Data" fulfills all the relevant provisions of the following Regulations

S.I. 2012/3032 (as amended), S.I. 2008/1597 (as amended),

S.I. 2016/1091 (as amended) and that the following designated

standards have been used:

BS EN 62841-1:2015+A11:2022

BS EN IEC 62841-3-9:2020+A11:2020

BS EN IEC 55014-1:2021

BS EN IEC 55014-2:2021

BS EN IEC 63000:2018

Winnenden, 2022-12-12

Alexander Krug / Managing Director
Authorized to compile the technical file

Techtronic Industries GmbH

Max-Eyth-Straße 10, 71364 Winnenden, Germany

BATTERIES

Battery packs which have not been used for some time should be recharged before use.

Temperatures in excess of 50°C (122°F) reduce the performance of the battery pack. Avoid extended exposure to heat or sunshine (risk of overheating).

The contacts of chargers and battery packs must be kept clean.

For an optimum life-time, the battery packs have to be fully charged, after use.

To obtain the longest possible battery life remove the battery pack from the charger once it is fully charged.

For battery pack storage longer than 30 days: Store the battery pack where the temperature is below 27°C and away from moisture Store the battery packs in a 30% - 50% charged condition

TRANSPORTING LITHIUM BATTERIES

Lithium-ion batteries are subject to the Dangerous Goods Legislation requirements.

Transportation of those batteries has to be done in accordance with local, national and international provisions and regulations.

The user can transport the batteries by road without further requirements.

Commercial transport of Lithium-Ion batteries by third parties is subject to Dangerous Goods regulations. Transport preparation and transport are exclusively to be carried out by appropriately trained persons and the process has to be accompanied by corresponding experts.

When transporting batteries:

Ensure that battery contact terminals are protected and insulated to prevent short circuit. Ensure that battery pack is secured against movement within packaging. Do not transport batteries that are cracked or leak. Check with forwarding company for further advice

BATTERY PACK PROTECTION

In extremely high torque, binding, stalling and short circuit situations that cause high current draw, the tool will stop for about 2 seconds and then the tool will turn OFF. To reset, remove the battery pack from the tool and replace it.

Under extreme circumstances, the internal temperature of the battery pack could raise too much. If this happens, the fuel gauge will flash until the battery pack cooled down. After the lights go off, the work may continue.

Place the battery on the charger to charge and reset it.

MAINTENANCE

Remove the battery pack before starting any work on the appliance.

Be sure to disconnect the tool from the power supply before attaching or removing the saw blade.

Replace the table insert when worn

Clean tool and guarding system with dry cloth.

The ventilation slots of the machine must be kept clear at all times.

Use only Milwaukee accessories and Milwaukee spare parts. Should components need to be replaced which have not been described, please contact one of our Milwaukee service agents (see our list of guarantee/service addresses).

If needed, an exploded view of the tool can be ordered. Please state the Article No. as well as the machine type printed on the label and order the drawing at your local service agents or directly at: Techtronic Industries GmbH, Max-Eyth-Straße 10, 71364 Winnenden, Germany.

SYMBOLS



CAUTION! WARNING! DANGER!



Remove the battery pack before starting any work on the appliance.



Please read the instructions carefully before starting the machine.



Always wear goggles when using the machine.



Wear ear protectors!



Wear gloves!



Always keep hands away from the path of the saw blade.



Never expose tool to rain.



This product contains a class 2 consumer laser product acc. to

EN 60825-1:2014+A11:2021 and EN 50689:2021.

Do not stare into beam!



Do not dispose of waste batteries, waste electrical and electronic equipment as unsorted municipal waste. Waste batteries and waste electrical and electronic equipment must be collected separately.

Waste batteries, waste accumulators and light sources have to be removed from equipment.

Check with your local authority or retailer for recycling advice and collection point.

According to local regulations retailers may have an obligation to take back waste batteries and Waste electrical and electronic equipment free of charge.

Your contribution to re-use and recycling of waste batteries and waste electrical and electronic equipment helps to reduce the demand of raw materials.

Waste batteries, in particular containing lithium and waste Electrical and electronic equipment contain valuable, recyclable materials, which can adversely impact the environment and the human health, if not disposed of in an environmentally compatible manner.

Delete personal data from waste equipment, if any.



Voltage



Direct Current



No-load speed



Saw blade dia. x hole dia



European Conformity Mark



British Conformity Mark



Ukraine Conformity Mark



EurAsian Conformity Mark

Technische Daten Kapp- und Gehrungssäge	M18 SMS216
Produktionsnummer	4745 85 04... ... 000001-999999
Leerlaufdrehzahl	2700 min ⁻¹
Spannung Wechselakku	18V ---
Sägeblatt- ϕ x Bohrungs- ϕ	216 x 30 mm
Sägeblattstärke	1,5 mm
Schnittbreite max. Gehrung 0°/ Neigung 0° Gehrung 45°/ Neigung 0° Gehrung 0°/ Neigung 45° Gehrung 45°/ Neigung 45°	60 x 270 mm 60 x 190 mm 48 x 270 mm 48 x 190 mm
Min. Werkstückabmessungen	130 x 35 x 2 mm
Empfohlene Umgebungstemperatur für den Betrieb	-5°C - +40°C
Empfohlene Akku Typen	M18B..., M18HB...
Empfohlene Ladegeräte	M12-18..., M1418 C6
Gewicht nach EPTA-Prozedur 01/2014	14,5 kg
Die in dieser Säge durch einen Laser erzeugte Laserstrahlung ist Klasse II mit maximal $P \leq 1 \text{ mW}$ und $\lambda: 620 \sim 660 \text{ nm}$ Wellenlängen.	
Geräuschinformation	
Messwerte ermittelt entsprechend EN 62841. Der A-bewertete Geräuschpegel des Gerätes beträgt typischerweise:	
Schalldruckpegel (Unsicherheit $K=3\text{dB(A)}$)	91,8 dB (A)
Schallleistungspegel (Unsicherheit $K=3\text{dB(A)}$)	105 dB (A)
Gehörschutz tragen!	

WARNUNG

Der in diesen Merkblatt angegebene Geräuschemissionswert ist entsprechend einem in EN 62841 normierten Testverfahren gemessen worden und kann für den Vergleich von Werkzeugen miteinander verwendet werden. Er eignet sich auch für eine vorläufige Einschätzung der Belastung.

Der angegebene Geräuschemissionswert repräsentiert die hauptsächlichsten Anwendungen des Werkzeugs. Wenn allerdings das Werkzeug für andere Anwendungen oder mit abweichendem Zubehör eingesetzt wird oder es ungenügend gewartet ist, kann der Geräuschemissionswert abweichen. Dies kann die Belastung über den gesamten Arbeitszeitraum deutlich erhöhen.

Für eine genaue Abschätzung der Belastung durch Lärm sollten auch die Zeiten berücksichtigt werden, in denen das Werkzeug abgeschaltet ist oder zwar läuft, aber nicht tatsächlich im Einsatz ist. Dies kann die Belastung über den gesamten Arbeitszeitraum deutlich reduzieren.

Legen Sie zusätzliche Sicherheitsmaßnahmen zum Schutz des Bedieners vor der Wirkung von Lärm fest wie zum Beispiel:

Wartung des Werkzeugs und des Zubehörs und Organisation der Arbeitsabläufe.

Tragen Sie Gehörschutz. Die Einwirkung von Lärm kann Gehörverlust bewirken.

⚠️ WARNUNG Lesen Sie alle Sicherheitshinweise, Anweisungen, Bebilderungen und technische Daten, mit denen dieses Elektrowerkzeug versehen ist. Versäumnisse bei der Einhaltung der nachfolgenden Anweisungen können elektrischen Schlag, Brand und/oder schwere Verletzungen verursachen.

Bewahren Sie alle Sicherheitshinweise und Anweisungen für die Zukunft auf.

⚠️ SICHERHEITSHINWEISE FÜR GEHRUNGSKAPPSÄGEN

- Gehrunksapsägen sind zum Schneiden von Holz oder holzartigen Produkten vorgesehen, sie können nicht zum Schneiden von Eisenwerkstoffen wie Stäben, Stangen, Schrauben usw. verwendet werden.** Abrasiver Staub führt zum Blockieren von beweglichen Teilen wie der unteren Schutzhaube. Schneidfunken verbrennen die untere Schutzhaube, die Einlegeplatte und andere Kunststoffteile.
- Fixieren Sie das Werkstück nach Möglichkeit mit Zwingen. Wenn Sie das Werkstück mit der Hand festhalten, müssen Sie Ihre Hand immer mindestens 100 mm von jeder Seite des Sägeblatts entfernt halten. Verwenden Sie diese Säge nicht zum Schneiden von Stücken, die zu klein sind, um sie einzuspannen oder mit der Hand zu halten.** Wenn Ihre Hand zu nahe am Sägeblatt ist, besteht ein erhöhtes Verletzungsrisiko durch Kontakt mit dem Sägeblatt.
- Das Werkstück muss unbeweglich sein und entweder festgespannt oder gegen den Anschlag und den Tisch gedrückt werden. Schieben Sie das Werkstück nicht in das Sägeblatt und schneiden Sie nie „freihändig“.** Lose oder sich bewegende Werkstücke könnten mit hoher Geschwindigkeit herausgeschleudert werden und zu Verletzungen führen.
- Schieben Sie die Säge durch das Werkstück. Vermeiden Sie es, die Säge durch das Werkstück zu ziehen. Für einen Schnitt heben Sie den Sägekopf und ziehen ihn über das Werkstück, ohne zu schneiden. Dann schalten Sie den Motor ein, schwenken den Sägekopf nach unten und drücken die**

Säge durch das Werkstück. Bei ziehendem Schnitt besteht die Gefahr, dass das Sägeblatt am Werkstück aufsteigt und die Sägeblatteinheit dem Bediener gewaltsam entgegengeschleudert wird.

e) **Kreuzen Sie nie die Hand über die vorgesehene Schnittlinie, weder vor noch hinter dem Sägeblatt.** Abstützen des Werkstücks „mit gekreuzten Händen“, d. h. Halten des Werkstücks rechts neben dem Sägeblatt mit der linken Hand oder umgekehrt, ist sehr gefährlich.

f) **Greifen Sie bei rotierendem Sägeblatt nicht hinter den Anschlag. Unterschreiten Sie nie einen Sicherheitsabstand von 100 mm zwischen Hand und rotierendem Sägeblatt (gilt auf beiden Seiten des Sägeblatts, z. B. beim Entfernen von Holzabfällen).** Die Nähe des rotierenden Sägeblatts zu Ihrer Hand ist möglicherweise nicht erkennbar, und Sie können schwer verletzt werden.

g) **Prüfen Sie das Werkstück vor dem Schneiden. Wenn das Werkstück gebogen oder verzogen ist, spannen Sie es mit der nach außen gekrümmten Seite zum Anschlag. Stellen Sie immer sicher, dass entlang der Schnittlinie kein Spalt zwischen Werkstück, Anschlag und Tisch ist.** Gebogene oder verzogene Werkstücke können sich verdrehen oder verlagern und ein Klemmen des rotierenden Sägeblatts beim Schneiden verursachen. Es dürfen keine Nägel oder Fremdkörper im Werkstück sein.

h) **Verwenden Sie die Säge erst, wenn der Tisch frei von Werkzeugen, Holzabfällen usw. ist; nur das Werkstück darf sich auf dem Tisch befinden.** Kleine Abfälle, lose Holzstücke oder andere Gegenstände, die mit dem rotierenden Blatt in Berührung kommen, können mit hoher Geschwindigkeit weggeschleudert werden.

i) **Schneiden Sie jeweils nur ein Werkstück.** Mehrfach gestapelte Werkstücke lassen sich nicht angemessen spannen oder festhalten und können beim Sägen ein Klemmen des Blatts verursachen oder verrutschen.

j) **Sorgen Sie dafür, dass die Gehrunksapsäge vor Gebrauch auf einer ebenen, festen Arbeitsfläche steht.** Eine ebene und feste Arbeitsfläche verringert die Gefahr, dass die Gehrunksapsäge instabil wird.

k) **Planen Sie Ihre Arbeit. Achten Sie bei jedem Verstellen der Sägeblattneigung oder des Gehrungswinkels darauf, dass der verstellbare Anschlag richtig justiert ist und das Werkstück abstützt, ohne mit dem Blatt oder der Schutzhaube in Berührung zu kommen.** Ohne die Maschine einzuschalten und ohne Werkstück auf dem Tisch ist eine vollständige Schnittbewegung des Sägeblatts zu simulieren, um sicherzustellen, dass es nicht zu Behinderungen oder der Gefahr des Schneidens in den Anschlag kommt.

l) **Sorgen Sie bei Werkstücken, die breiter oder länger als die Tischoberseite sind, für eine angemessene Abstützung, z. B. durch Tischverlängerungen oder Sägeböcke.** Werkstücke, die länger oder breiter als der Tisch der Gehrunksapsäge sind, können kippen, wenn sie nicht fest abgestützt sind. Wenn ein abgeschnittenes Stück Holz oder das Werkstück kippt, kann es die untere Schutzhaube anheben oder unkontrolliert vom rotierenden Blatt weggeschleudert werden.

m) **Ziehen Sie keine anderen Personen als Ersatz für eine Tischverlängerung oder zur zusätzlichen Abstützung heran.** Eine instabile Abstützung des Werkstücks kann zum Klemmen des

Blatts führen. Auch kann sich das Werkstück während des Schnitts verschieben und Sie und den Helfer in das rotierende Blatt ziehen.

n) **Das abgeschnittene Stück darf nicht gegen das rotierende Sägeblatt gedrückt werden.** Wenn wenig Platz ist, z. B. bei Verwendung von Längsanschlägen, kann sich das abgeschnittene Stück mit dem Blatt verkeilen und gewaltsam weggeschleudert werden.

o) **Verwenden Sie immer eine Zwinge oder eine geeignete Vorrichtung, um Rundmaterial wie Stangen oder Rohre ordnungsgemäß abzustützen.** Stangen neigen beim Schneiden zum Wegrollen, wodurch sich das Blatt „festbeißen“ und das Werkstück mit Ihrer Hand in das Blatt gezogen werden kann.

p) **Lassen Sie das Blatt die volle Drehzahl erreichen, bevor Sie in das Werkstück schneiden.** Dies verringert das Risiko, dass das Werkstück fortgeschleudert wird.

q) **Wenn das Werkstück eingeklemmt wird oder das Blatt blockiert, schalten Sie die Gehrunksapsäge aus. Warten Sie, bis alle beweglichen Teile zum Stillstand gekommen sind, ziehen Sie den Netzstecker und/oder nehmen Sie den Akku heraus. Entfernen Sie anschließend das eingeklemmte Material.** Wenn Sie bei einer solchen Blockierung weitersägen, kann es zum Verlust der Kontrolle oder zu Beschädigungen der Gehrunksapsäge kommen.

r) **Lassen Sie nach beendetem Schnitt den Schalter los, halten Sie den Sägekopf unten und warten Sie den Stillstand des Blatts ab, bevor Sie das abgeschnittene Stück entfernen.** Es ist sehr gefährlich, mit der Hand in die Nähe des auslaufenden Blatts zu reichen.

s) **Halten Sie den Handgriff gut fest, wenn Sie einen unvollständigen Sägeschnitt ausführen oder wenn Sie den Schalter loslassen, bevor der Sägekopf seine untere Lage erreicht hat.** Durch die Bremswirkung der Säge kann der Sägekopf ruckartig nach unten gezogen werden, was zu einem Verletzungsrisiko führt.

Weitere Sicherheits- und Arbeitshinweise

Tragen Sie persönliche Schutzausrüstung und immer eine Schutzbrille. Das Tragen persönlicher Schutzausrüstung, wie Staubmaske, rutschfeste Sicherheitsschuhe, Schutzhelm oder Gehörschutz, je nach Art und Einsatz des Elektrowerkzeuges, verringert das Risiko von Verletzungen.

Tragen Sie Gehörschutz. Die Einwirkung von Lärm kann Gehörverlust bewirken.

Beim Arbeiten entstehender Staub ist oft gesundheitsschädlich und sollte nicht in den Körper gelangen. Staubabsaugung verwenden und zusätzlich geeignete Staubschutzmaske tragen. Abgelagerten Staub gründlich entfernen, z.B. Aufsaugen.

Schließen Sie die Säge an einen Staubabsauger an, beim Sägen von Holz.

Es wird empfohlen, vor dem erstmaligen Gebrauch des Gerätes die Betriebsanleitung sorgfältig zu lesen und sich in die praktische Handhabung einweisen zu lassen.

Sicherstellen, dass die Maschine stets einen sicheren Stand hat (z.B. befestigen an der Werbank).

Den Boden von Materialresten z.B. Späne und Sägereste freihalten.

Keine Sägeblätter benutzen die beschädigt oder verformt sind.

Sägeblätter, die nicht den Kenndaten in dieser Gebrauchsanweisung entsprechen, dürfen nicht verwendet werden.

Es dürfen nur Werkzeuge verwendet werden, die EN 847-1 entsprechen.

Keine aus Schnellarbeitsstahl gefertigten Sägeblätter verwenden.

Ein für den zu schneidenden Werkstoff geeignetes Sägeblatt auswählen.

Die zulässige Drehzahl des Einsatzwerkzeugs muss mindestens so hoch sein wie die auf dem Elektrowerkzeug angegebene Höchstzahl. Zubehör, das sich schneller als zulässig dreht, kann zerbrechen und umherfliegen.

Die Werkzeuge müssen in einem geeigneten Behältnis transportiert und aufbewahrt werden.

Nur die beigelegten und in der Bedienungsanleitung abgebildeten Flansche zum Befestigen des Sägeblattes verwenden.

Die Kappsäge niemals zum Schneiden anderer als in der Bedienungsanleitung angegebenen Werkstoffe verwenden.

Die Kappsäge nur mit sicher funktionierender und gut gewarteter Schutzhaube benutzen. Die Schutzhaube muss selbsttätig zurückschwenken.

Keine Sägereste oder andere Teile von Werkstücken aus dem Sägebereich entfernen wenn die Maschine läuft und der Sägekopf nicht in der Ruhestellung ist.

Nicht in den Gefahrenbereich der laufenden Maschine greifen.

Schutzeinrichtung der Maschine unbedingt verwenden.

Fehler in der Maschine, einschließlich der Schutzeinrichtung oder der Sägeblätter, sind, so bald sie entdeckt werden, der für die Sicherheit verantwortlichen Person zu melden.

Die Pendelschutzhaube darf im geöffneten Zustand nicht festgeklemmt werden.

Lange Werkstücke sind geeignet abzustützen.

Die Kappsäge nur mit eingeregelter Transportsicherung am Handgriff transportieren.

Stellen Sie bei der Ausführung von Gehrungs-, Neigungs- oder Doppelgehrungsschnitten den Gleitanschlag so ein, daß das richtige Spiel für die Aufgabe sichergestellt wird.

Vermeiden Sie durch eine angepasste Vorschubgeschwindigkeit die Überhitzung der Sägeblattzähne, und beim Schneiden von Kunststoffen das Schmelzen des Materials.

Das Einsatzwerkzeug ist scharfkantig und kann während der Anwendung heiß werden.

WARNUNG! Schnitt- und Verbrennungsgefahr

-bei Handhabung der Einsatzwerkzeuge

- bei Ablegen des Gerätes

Bei der Handhabung der Einsatzwerkzeuge Schutzhandschuhe tragen.

Selbst bei ordnungsgemäßem Gebrauch des Produkts lassen sich Restgefahren nicht vollständig ausschließen. Bei der Verwendung können folgende Risiken auftreten, weshalb der Bediener Folgendes beachten sollte:

- Um Gehörschäden zu vermeiden, ist die Expositionszeit zu beschränken und geeigneter Gehörschutz zu tragen.
- Es ist eine Atemschutzmaske zu tragen, um Gesundheitsrisiken zu vermeiden, die durch das Einatmen von Sägestaub entstehen können.

LASER

Nicht in den Laserstrahl blicken und nicht auf andere Personen richten.

Nicht mit optischen Hilfsmitteln (Fernglas, Fernrohr) in den Laser blicken.

Den Laser nicht auf reflektierende Flächen richten.

Setzen Sie keine Personen der Laserstrahlung aus. Der Laser kann gefährliche Strahlung aussenden.

Tauschen Sie den eingebauten Laser nicht gegen einen anderen aus. Reparaturen dürfen nur von autorisierten Service-Technikern durchgeführt werden.

BESTIMMUNGSGEMÄSSE VERWENDUNG

Die Kappsäge ist einsetzbar zum Sägen von Massivhölzern, verleimten Hölzern, holzähnlichen Werkstoffen und Kunststoffen.

Werkstücke mit rundem oder unregelmäßigem Querschnitt (z.B. Brennholz) dürfen nicht gesägt werden, da diese beim Sägen nicht sicher gehalten werden. Beim Hochkantsägen von flachen Werkstücken muss ein geeigneter Hilfsanschlag zur sicheren Führung verwendet werden.

RESTGEFAHREN

Selbst bei ordnungsgemäßem Gebrauch des Produkts lassen sich Restgefahren nicht vollständig ausschließen. Bei der Verwendung können folgende Risiken auftreten, weshalb der Bediener Folgendes beachten sollte:

- Durch Vibration verursachte Verletzungen. Halten Sie das Gerät an den dafür vorgesehenen Griffen und begrenzen Sie die Arbeits- und Expositionszeit.
- Lärmbelastung kann zu Gehörschädigungen führen. Tragen Sie einen Gehörschutz und schränken Sie die Expositionszeit ein.
- Durch Schmutzpartikel verursachte Augenverletzungen. Tragen Sie immer eine Schutzbrille, feste lange Hosen und festes Schuhwerk.
- Einatmen von giftigen Stäuben.

CE-KONFORMITÄTSERKLÄRUNG

Wir erklären in alleiniger Verantwortung, dass das unter „Technische Daten“ beschriebene Produkt mit allen relevanten Vorschriften der Richtlinien

2011/65/EU, (EU) 2015/863 (RoHS)
2006/42/EC
2014/30/EU

und den folgenden harmonisierten normativen Dokumenten übereinstimmt

EN 62841-1:2015+A11:2022
EN IEC 62841-3-9:2020+A11:2020
EN IEC 55014-1:2021
EN IEC 55014-2:2021
EN IEC 63000:2018



Winnenden, 2022-12-12

Alexander Krug / Managing Director

Bevollmächtigt die technischen Unterlagen zusammenzustellen.

Techtronic Industries GmbH

Max-Eyth-Straße 10, 71364 Winnenden, Germany

AKKUS

Längere Zeit nicht benutzte Wechselakkus vor Gebrauch nachladen. Eine Temperatur über 50°C vermindert die Leistung des Wechselakkus. Längere Erwärmung durch Sonne oder Heizung vermeiden.

Die Anschlusskontakte an Ladegerät und Wechselakku sauber halten.

Für eine optimale Lebensdauer müssen nach dem Gebrauch die Akkus voll geladen werden.

Für eine möglichst lange Lebensdauer sollten die Akkus nach dem Aufladen aus dem Ladegerät entfernt werden.

Bei Lagerung des Akkus länger als 30 Tage: Bewahren Sie den Akkupack an einem trockenen Ort mit einer Temperatur unter 27 °C auf Akku bei ca. 30%-50% des Ladezustandes lagern.

TRANSPORT VON LITHIUM-IONEN-AKKUS

Transport von Lithium-Ionen-Akkus

Der Transport dieser Akkus muss unter Einhaltung der lokalen, nationalen und internationalen Vorschriften und Bestimmungen erfolgen.

Verbraucher dürfen diese Akkus ohne Weiteres auf der Straße transportieren.

Der kommerzielle Transport von Lithium-Ionen-Akkus durch Speditionsunternehmen unterliegt den Bestimmungen des Gefahrguttransports. Die Versandvorbereitungen und der Transport dürfen ausschließlich von entsprechend geschulten Personen durchgeführt werden. Der gesamte Prozess muss fachmännisch begleitet werden.

Folgende Punkte sind beim Transport von Akkus zu beachten:

Stellen Sie sicher, dass die Kontakte geschützt und isoliert sind, um Kurzschlüsse zu vermeiden. Achten Sie darauf, dass der Akkupack innerhalb der Verpackung nicht verrutschen kann. Beschädigte oder auslaufende Akkus dürfen nicht transportiert werden. Wenden Sie sich für weitere Hinweise an Ihr Speditionsunternehmen.

AKKUÜBERLASTSCHUTZ

Bei Überlastung des Akkus durch sehr hohen Stromverbrauch, z.B. extrem hohe Drehmomente, Verklemmen des Einsatzwerkzeuges, plötzlichem Stopp oder Kurzschluss, stoppt das Elektrowerkzeug 2 Sekunden lang und schaltet sich selbsttätig ab. Zum Wiedereinschalten, die Batterie vom Gerät trennen und erneut einsetzen. Unter extremen Belastungen erhitzt sich der Akku zu stark. In diesem Fall blinken alle Lampen der Ladeanzeige bis der Akku abgekühlt ist. Nach Erlöschen der Ladeanzeige kann weitergearbeitet werden. Den Akku dann in das Ladegerät stecken um ihn wieder aufzuladen und zu aktivieren.

WARTUNG

Vor allen Arbeiten am Gerät den Wechselakku herausnehmen.

Stellen Sie sicher, dass das Werkzeug von der Stromversorgung getrennt ist, bevor Sie das Sägeblatt anbringen oder abnehmen.

Abgenutzte Tischeinlage ersetzen.

Reinigen Sie Gerät und Schutzeinrichtung mit einem trockenen Tuch.

Stets die Lüftungsschlitze der Maschine sauber halten.

Nur Milwaukee Zubehör und Milwaukee Ersatzteile verwenden. Bauteile, deren Austausch nicht beschrieben wurde, bei einer Milwaukee Kundendienststelle auswechseln lassen (Broschüre Garantie/Kundendienstadressen beachten).

Bei Bedarf kann eine Explosionszeichnung des Gerätes unter Angabe der Maschinen Type und der sechsstelligen Nummer auf dem Leistungsschild bei Ihrer Kundendienststelle oder direkt bei Techtronic Industries GmbH, Max-Eyth-Straße 10, 71364 Winnenden, Germany angefordert werden.

SYMBOLS



ACHTUNG! WARNUNG! GEFAHR!



Vor allen Arbeiten am Gerät den Wechselakku herausnehmen.



Bitte lesen Sie die Gebrauchsanweisung vor Inbetriebnahme sorgfältig durch.



Beim Arbeiten mit der Maschine stets Schutzbrille tragen.



Gehörschutz tragen!



Schutzhandschuhe tragen!



Niemals die Hände in den Bereich des Sägeblattes bringen.



Die Maschine nicht dem Regen aussetzen.



Dieses Produkt enthält ein Verbraucher-Laserprodukt der Klasse 2 gemäß

EN 60825-1:2014+A11:2021 und EN 50689:2021.

Nicht in den Laserstrahl sehen



Altbatterien, Elektro- und Elektronik-Altgeräte dürfen nicht zusammen mit dem Hausmüll entsorgt werden. Altbatterien, Elektro- und Elektronik-Altgeräte sind getrennt zu sammeln und zu entsorgen. Entfernen Sie Altbatterien, Alttakkumulatoren und Leuchtmittel vor dem Entsorgen aus den Geräten. Erkundigen Sie sich bei den örtlichen Behörden oder bei Ihrem Fachhändler nach Recyclinghöfen und Sammelstellen. Je nach den örtlichen Bestimmungen können Einzelhändler verpflichtet sein, Altbatterien, Elektro- und Elektronik-Altgeräte kostenlos zurückzunehmen. Tragen Sie durch Wiederverwendung und Recycling Ihrer Altbatterien, Elektro- und Elektronik-Altgeräte dazu bei, den Bedarf an Rohmaterialien zu verringern. Altbatterien (vor allem Lithium-Ionen-Batterien), Elektro- und Elektronik-Altgeräte enthalten wertvolle, wiederverwertbare Materialien, die bei nicht umweltgerechter Entsorgung negative Auswirkungen auf die Umwelt und Ihre Gesundheit haben können. Löschen Sie vor der Entsorgung möglicherweise auf Ihrem Altgerät vorhandene personenbezogene Daten.



Spannung



Gleichstrom



Leerlaufdrehzahl



Sägeblatt- \varnothing x Bohrungs- \varnothing



Europäisches Konformitätszeichen



Britisches Konformitätszeichen



Ukrainisches Konformitätszeichen



Euroasiatisches Konformitätszeichen

Caractéristiques techniques Scie Radiale	M18 SMS216
Numéro de série	4745 85 04... ... 000001-999999
Vitesse de rotation à vide	2700 min ⁻¹
Tension accu interchangeable	18V ---
Ø de la lame de scie et de son alésage	216 x 30 mm
Épaisseur de la lame de scie	1,5 mm
Largeur de coupe max. Onglet 0°/Inclinaison 0° Onglet 45°/Inclinaison 0° Onglet 0°/Inclinaison 45° Onglet 45°/Inclinaison 45°	60 x 270 mm 60 x 190 mm 48 x 270 mm 48 x 190 mm
Les dimensions min. de la pièce dépendent	130 x 35 x 2 mm
Température ambiante conseillée pour le fonctionnement	-5°C - +40°C
Batteries conseillées	M18B..., M18HB...
Chargeurs conseillés	M12-18..., M1418 C6
Poids suivant EPTA-Procédure 01/2014	14,5 kg
Le rayonnement laser utilisé sur cette scie est de classe II, avec maximum P ≤ 1mW et longueurs d'ondes de λ: 620 ~ 660 nm.	
Informations sur le bruit Valeurs de mesure obtenues conformément à la EN 62841. Les mesures réelles (des niveaux acoustiques de l'appareil) sont :	
Niveau de pression acoustique (Incertitude K=3dB(A)) Niveau d'intensité acoustique (Incertitude K=3dB(A)) Toujours porter une protection acoustique!	91,8 dB (A) 105 dB (A)

AVERTISSEMENT

La valeur des émissions sonores indiquée dans cette fiche technique a été mesurée selon une procédure de test répondant à la norme EN 62841 et peut être utilisée pour comparer des outils entre eux. Elle peut aussi être utilisée pour effectuer une évaluation préliminaire de l'exposition.

La valeur des émissions sonores indiquée concerne les principales applications de l'outil. Cependant, si l'outil est utilisé pour d'autres applications ou avec des accessoires différents, ou s'il n'est pas suffisamment entretenu, la valeur des émissions sonores peut différer. Ceci peut se traduire par une nette augmentation de l'exposition tout au long de la période de travail.

Pour obtenir une évaluation exacte de l'exposition au bruit, il convient de prendre aussi en compte les moments où l'outil est éteint, ou lorsqu'il est en marche mais n'est pas utilisé. Ceci peut se traduire par une nette diminution de l'exposition tout au long de la période de travail.

Déterminez les mesures de sécurité supplémentaires relatives à la protection de l'utilisateur contre les effets du bruit, telles que la maintenance de l'outil et de l'accessoire et l'organisation du travail. Portez une protection acoustique. L'exposition au bruit pourrait provoquer une diminution de l'ouïe.

⚠ AVERTISSEMENT Lisez toutes les consignes de sécurité, instructions, présentations et données que vous recevez avec l'appareil. Le fait de ne pas suivre toutes les instructions données ci-dessous peut provoquer un choc électrique, un incendie et/ou une blessure grave.

Bien garder tous les avertissements et instructions.

⚠ CONSIGNES DE SÉCURITÉ POUR LES SCIES À ONGLET

- Les scies à onglet sont destinées à couper du bois ou des produits analogues au bois. Elles ne peuvent être utilisées avec des disques à tronçonner abrasifs pour la découpe de matériaux ferreux tels que barres, tiges, goujons, etc.** La poussière abrasive peut bloquer les pièces mobiles telles que la protection inférieure. Les étincelles de découpe abrasive peuvent brûler la protection inférieure, l'entaille d'insertion et d'autres pièces en plastique.
- Utilisez des serre-joints pour maintenir la pièce à chaque fois que possible. Si vous maintenez la pièce à la main, vous devez toujours garder votre main à une distance d'au moins 100 mm de part et d'autre de la lame de la scie. N'utilisez pas cette scie pour couper des pièces trop petites pour être solidement serrées avec des serre-joints ou tenues à la main.** Si votre main est placée trop près de la lame de la scie, vous encourez un risque accru de blessure par contact avec la lame.
- La pièce à usiner doit être immobile et serrée avec des serre-joints ou maintenue à la fois contre le guide et la table. Ne poussez pas la pièce contre la lame et ne la coupez jamais à « main levée ».** Les pièces à usiner non retenues ou mobiles risqueraient d'être projetées à grande vitesse, provoquant des blessures.
- Poussez la scie à travers la pièce à usiner. Ne tirez pas la scie à travers la pièce. Pour couper, soulevez la tête de la scie et amenez-la au-dessus de la pièce sans couper, démarrez le moteur, appuyez vers le bas sur la tête de la scie et poussez**

la scie à travers la pièce. Couper en tirant risque de faire grimper la lame de la scie sur le dessus de la pièce et de projeter violemment l'unité porte-lame vers l'opérateur.

- Ne traversez jamais avec votre main la ligne de coupe prévue, que ce soit à l'avant ou à l'arrière de la lame de scie.** Maintenir la pièce « avec une main en travers », c'est-à-dire maintenir la pièce à droite de la lame de scie avec votre main gauche ou vice versa est très dangereux.
- Ne mettez pas votre main derrière le guide à moins de 100 mm de part et d'autre de la lame de la scie, que ce soit pour retirer des copeaux de bois ou pour toute autre raison, pendant que la lame tourne.** Vous pouvez sous-estimer la proximité de la lame de scie en rotation par rapport à votre main et vous pouvez être gravement blessé.
- Inspectez votre pièce à usiner avant de la couper. Si la pièce est courbée ou déformée, maintenez-la avec des serre-joints, avec l'extérieur de la face courbée vers le guide. Assurez-vous toujours qu'il n'y a pas d'écart entre la pièce à usiner, le guide et la table le long de la ligne de coupe.** Les pièces à usiner incurvées ou déformées peuvent se tordre ou bouger et peuvent se bloquer sur la lame de scie en rotation pendant la coupe. La pièce à usiner ne doit pas présenter de clous ni d'objets étrangers.
- N'utilisez pas la scie tant que la table n'est pas débarrassée de tous les outils, morceaux de bois, etc., à l'exception de la pièce à usiner.** Les petits débris, morceaux de bois se détachant ou autres objets entrant en contact avec la lame en rotation peuvent être projetés à grande vitesse.
- Ne coupez qu'une seule pièce à la fois.** Les pièces empilées ne peuvent pas être correctement maintenues avec des serre-joints ni calées et peuvent bloquer la lame ou glisser pendant la coupe.
- Vérifiez que la scie à onglets est montée ou placée sur une surface de travail plane et ferme avant utilisation.** Une surface de travail plane et ferme réduit le risque de voir la scie à onglets devenir instable.
- Planifiez votre travail. Chaque fois que vous changez le réglage de l'inclinaison de la lame ou de l'angle de l'onglet, assurez-vous que le guide réglable est positionné correctement de façon à maintenir la pièce à usiner et à ne pas interférer avec la lame ou le système de protection.** Sans mettre l'outil sur « ON » et sans pièce à usiner sur la table, déplacez la lame de scie comme pour une coupe complète pour vous assurer que rien n'interfère et qu'il n'y a aucun danger de couper le guide.
- Prévoyez un support adéquat, comme des rallonges de table, des chevalets de sciage, etc., lorsque la pièce à usiner est plus large ou plus longue que le dessus de la table.** Les pièces à usiner plus longues ou plus larges que la table de la scie à onglets peuvent basculer si elles ne sont soutenues en toute sécurité. Si la pièce coupée de la pièce à usiner bascule, elle peut soulever la protection inférieure ou être projetée par la lame en rotation.
- N'utilisez pas une autre personne comme un substitut à une rallonge de table ou comme support supplémentaire.** Un support instable pour la pièce à usiner peut bloquer la lame. La pièce peut par ailleurs glisser pendant la coupe et vous entraîner vous et la personne qui vous aide contre la lame en rotation.

n) **La pièce découpée ne doit pas être bloquée ni pressée par quelque moyen que ce soit contre la lame de scie en rotation.** Si elle est confinée, c'est-à-dire si des butées de longueur sont utilisées, la pièce coupée risque de se coincer contre la lame et d'être violemment projetée.

- Utilisez toujours un serre-joint ou un dispositif de fixation conçu pour soutenir correctement les matériels ronds, comme les barres ou tubes.** Les barres ont tendance à rouler lorsqu'on les coupe, ce qui fait que lame « mord » et entraîne la pièce et votre main contre la lame.
- Laissez la lame atteindre sa pleine vitesse avant d'entrer en contact avec la pièce à usiner.** Ceci réduira le risque de projection de la pièce à usiner.
- Si la pièce à usiner ou la lame se coincent, mettez la scie à onglets sur « OFF ».** Attendez l'arrêt de toutes les pièces mobiles et débranchez la fiche de la source d'alimentation et/ou retirez la batterie. Retirez ensuite le matériel coincé. Continuer à scier une pièce coincée peut entraîner une perte de contrôle ou causer des dommages à la scie à onglets.
- Une fois la coupe terminée, relâchez l'interrupteur, maintenez la tête de la scie vers le bas et attendez que la lame s'arrête avant de retirer la pièce coupée.** Tendre votre main à proximité de la lame encore en rotation est dangereux.
- Maintenez fermement la poignée lorsque vous exécutez une coupe partielle ou lorsque vous relâchez l'interrupteur avant que la tête de la scie soit complètement en position basse.** L'action de freinage de la scie peut faire que la tête de la scie se trouve soudainement entraînée vers le bas, ce qui constitue un risque de blessure.

Avis complémentaires de sécurité et de travail

Utiliser un équipement de sécurité. Toujours porter une protection pour les yeux. Les équipements de sécurité tels que les masques contre les poussières, les chaussures de sécurité antidérapantes, les casques ou les protections acoustiques utilisés pour les conditions appropriées réduiront les blessures de personnes.

Portez une protection acoustique. L'exposition au bruit pourrait provoquer une diminution de l'ouïe.

Les poussières dégagées lors du travail sont souvent nocives et ne devraient pas pénétrer dans le corps. Utiliser un dispositif d'aspiration de poussières et porter en plus un masque de protection approprié. Éliminer soigneusement les dépôts de poussières, p. ex. en les aspirant au moyen d'un système d'aspiration de copeaux. Connecter la scie avec un dispositif d'aspiration poussières si l'on scie du bois.

Avant la première mise en marche de la machine, il est conseillé de lire avec soin les instructions d'utilisation et de se familiariser avec le maniement de la machine.

S'assurer que la machine présente toujours une bonne stabilité (par ex. par une fixation sur l'établi).

Veiller à ce que le fond reste exempt des restes de matériaux, par ex. des copeaux et des débris de sciage.

Ne pas utiliser de lames de scie qui sont endommagées ou déformées.

Ne pas utiliser de lames de scie qui ne correspondent pas aux caractéristiques indiquées dans ces instructions d'utilisation.

Employez exclusivement des outils conformes à NE 847-1.

Ne pas utiliser de lame de scie fabriquées en acier à coupe rapide.

Choisir une lame de scie qui convient au matériau à couper.

La vitesse assignée de l'accessoire doit être au moins égale à la vitesse maximale indiquée sur l'outil électrique. Les accessoires fonctionnant plus vite que leur vitesse assignée peuvent se rompre et voler en éclat.

Les outils doivent être transportés et conservés dans un récipient approprié.

Utiliser uniquement les brides ci-jointes et représentées dans le mode d'emploi pour fixer la lame de scie.

Ne jamais utiliser la scie d'éboutage pour sectionner des matériaux autres que ceux qui sont indiqués dans le mode d'emploi.

Utiliser la scie à onglet seulement si le capot de protection présente un fonctionnement sûr et s'il est bien entretenu. Le capot de protection doit pivoter en retour automatiquement.

Ne pas enlever des restes de sciage ou d'autres parties de pièces à œuvrer de la zone de sciage lorsque la machine tourne et que la tête de sciage n'est pas dans la position de repos.

Ne jamais intervenir dans la zone dangereuse lorsque la machine est en marche.

Il est absolument impératif d'utiliser le dispositif protecteur de la machine.

Les défauts dans la machine, y compris le dispositif de protection ou les lames de scie, doivent être signalés à la personne responsable de la sécurité dès qu'ils sont constatés.

Ne pas bloquer le carter de protection.

Les longues pièces à œuvrer doivent être soutenues de manière appropriée.

Transporter la scie d'éboutage uniquement si le dispositif de sécurité pour le transport est enclenché sur la poignée.

Lors de la réalisation des coupes d'onglet, des coupes en biais et des coupes d'onglet composé, réglez le guide coulissant pour assurer le jeu correct de la lame.

Conformer la vitesse d'avancement afin d'éviter la surchauffe des dents de la lame et la fusion du matériau pendant la coupe de matériau synthétique.

L'outil d'insertion présente des arêtes vives et peut devenir chaud pendant son utilisation.

AVERTISSEMENT ! Risque de coupures et de brûlures

-lors de la manipulation des outils d'insertion

-durant la dépose de l'outil

Lors de la manipulation des outils d'insertion, portez des gants de protection.

Même en cas d'utilisation correcte du produit il n'est pas possible d'exclure complètement des risques résiduels. Pendant l'utilisation les risques décrits ci-dessous pourront se présenter et par conséquent l'opérateur devra respecter les normes suivantes:

- Pour éviter des dangers à l'ouïe, limiter le temps d'exposition et utiliser une protection contre le bruit appropriée.
- Il faut utiliser une masque respiratoire pour éviter des dangers à la santé causés par l'inhalation des poussières de sciure.

LASER

Ne pas regarder dans le rayon laser et ne pas le diriger sur d'autres personnes.

Ne pas regarder dans le rayon laser avec des appareils optiques (jumelles, télescope).

Ne pas diriger le rayon laser sur des surfaces réfléchissantes.

Éviter toute exposition à la radiation laser. Le laser peut émettre une radiation intense et dangereuse.

Ne pas remplacer le laser incorporé contre un laser d'un autre type.

Les réparations ne devront être effectuées que par des techniciens d'assistance autorisés.

UTILISATION CONFORME AUX PRESCRIPTIONS

La scie à onglet peut être utilisée pour scier les bois massifs, les bois collés, les matériaux similaires au bois et les matières plastiques.

Il est interdit de scier des pièces à œuvrer dont la section transversale est ronde ou irrégulière (par ex. le bois de chauffe) car elles ne sont pas maintenues sûrement pendant le sciage. Il convient d'utiliser une butée auxiliaire appropriée pour assurer le guidage lors du sciage sur chant des pièces à œuvrer plates.

RISQUES RÉSIDUELS

Même en cas d'utilisation correcte du produit il n'est pas possible d'exclure complètement des risques résiduels. Pendant l'utilisation les risques décrits ci-dessous pourront se présenter et par conséquent l'opérateur devra respecter les normes suivantes:

- Blessures causées par les vibrations. Tenir le dispositif à l'aide de ses poignées et limiter le temps de travail et d'exposition.
- L'exposition au bruit peut causer des dommages auditifs. Porter une protection auditive et limiter la durée de l'exposition.
- Lésions oculaires causées par des particules de déchets. Portez toujours des lunettes de protection, un pantalon long et des chaussures robustes.
- Inhalation de gaz toxiques.

DÉCLARATION CE DE CONFORMITÉ

Nous déclarons, sous notre responsabilité exclusive, que le produit décrit ici dans les « Caractéristiques techniques » satisfait à toutes les dispositions pertinentes des directives

2011/65/EU, (EU) 2015/863 (RoHS)

2006/42/EC

2014/30/EU

et que les normes harmonisées suivantes ont été appliquées

EN 62841-1:2015+A11:2022

EN IEC 62841-3-9:2020+A11:2020

EN IEC 55014-1:2021

EN IEC 55014-2:2021

EN IEC 63000:2018



Winnenden, 2022-12-12

Alexander Krug / Managing Director

Autorisé à compiler la documentation technique.

Techtronic Industries GmbH

Max-Eyth-Straße 10, 71364 Winnenden, Germany

ACCUS

Recharger les accus avant utilisation après une longue période de non utilisation. Une température supérieure à 50°C amoindrit la capacité des accus. Éviter les expositions prolongées au soleil ou au chauffage.

Tenir propres les contacts des accus et des chargeurs.

Pour une durée de vie optimale, les accus doivent être chargés à fond après l'utilisation.

Pour une plus longue durée de vie, enlever les batteries du chargeur de batterie quand celles-ci seront chargées.

En cas d'entreposage de la batterie pour plus de 30 jours: Conservez le bloc-piles dans un endroit où la température est inférieure à 27 °C et à l'abri de l'humidité. Entreposer la batterie avec une charge d'environ 30% - 50%.

TRANSPORT DE BATTERIES LITHIUM-ION

Transport de batteries lithium-ion

Le transport de ces batteries devra s'effectuer dans le respect des dispositions et des normes locales, nationales et internationales.

Les utilisateurs peuvent transporter ces batteries sans restrictions.

Le transport commercial de batteries lithium-ion est réglé par les dispositions concernant le transport de produits dangereux. La préparation au transport et le transport devront être effectués uniquement par du personnel formé de façon adéquate. Tout le procédé devra être géré d'une manière professionnelle.

Durant le transport de batteries il faut respecter les consignes suivantes:

S'assurer que les contacts soient protégés et isolés en vue d'éviter des courts-circuits. S'assurer que le groupe de batteries ne puisse pas se déplacer à l'intérieur de son emballage. Des batteries endommagées ou des batteries perdant du liquide ne devront pas être transportées.

Pour tout renseignement complémentaire veuillez vous adresser à votre transporteur professionnel.

PROTECTION DE L'ACCU CONTRE LES SURCHARGES

Au cas de surcharge de la batterie à cause d'une consommation d'énergie électrique très élevée, par ex. en présence de valeurs de couple très élevées, blocage de l'outil, arrêt soudain ou court-circuit, l'outil électrique s'arrêtera pour 2 secondes et ensuite se désactivera automatiquement. Pour réinitialiser, retirer le pack batterie de la machine et le remplacer. Sous des sollicitations extrêmes, l'accu s'échauffe trop fortement. Dans ce cas, tous les témoins de l'indicateur de charge clignotent jusqu'à ce que l'accu se soit refroidi. Il est possible de continuer à travailler dès que l'indicateur de charge s'est éteint. Mettre alors l'accu en place dans le chargeur pour le recharger et l'activer.

ENTRETIEN

Avant tous travaux sur l'appareil retirer l'accu interchangeable.

Assurez-vous de débrancher l'outil du secteur avant de monter ou de démonter la lame de scie.

Remplacer la garniture de table si elle est usée.

Nettoyer l'appareil et le dispositif de protection avec un chiffon sec.

Tenir toujours propres les orifices de ventilation de la machine.

Utiliser uniquement les accessoires Milwaukee et les pièces détachées Milwaukee. Faire remplacer les composants dont le remplacement n'a pas été décrit, par un des centres de service après-vente Milwaukee (observer la brochure avec les adresses de garantie et de service après-vente).

Si besoin est, une vue éclatée de l'appareil peut être fournie. S'adresser, en indiquant bien le numéro porté sur la plaque signalétique, à votre station de service après-vente (voir liste jointe) ou directement à Techtronic Industries GmbH, Max-Eyth-Straße 10, 71364 Winnenden, Germany.

SYMBÔLES



ATTENTION! AVERTISSEMENT! DANGER!



Avant tous travaux sur l'appareil retirer l'accu interchangeable.



Veuillez lire avec soin le mode d'emploi avant la mise en service



Toujours porter des lunettes protectrices en travaillant avec la machine.



Toujours porter une protection acoustique!



Porter des gants de protection!



Ne jamais mettre les mains dans la zone de la lame de scie.



Ne pas exposer la machine à la pluie.



Ce produit contient un produit laser grand public de classe 2 selon

EN 60825-1:2014+A11:2021 et EN 50689:2021.

Ne pas regarder dans le rayon laser.



Les déchets de piles et les déchets d'équipements électriques et électroniques (déchets d'équipements électriques et électroniques) ne sont pas à éliminer dans les déchets ménagers. Les déchets de piles et les déchets d'équipements électriques et électroniques doivent être collectés et éliminer séparément. Retirez les déchets de piles, les déchets d'accumulateurs et les ampoules des appareils avant de les jeter. S'adresser aux autorités locales ou au détaillant spécialisé en vue de connaître l'emplacement des centres de recyclage et des points de collecte. Selon les réglementations locales, les détaillants peuvent être tenus de reprendre gratuitement les déchets de piles et les déchets d'équipements électriques et électroniques. Contribuez à réduire la demande de matières premières en réutilisant et en recyclant vos déchets de piles et d'équipements électriques et électroniques. Les déchets de piles (surtout les piles au lithium-ion) et les déchets d'équipements électriques et électroniques comportent des matériaux précieux et recyclables qui peuvent avoir des impacts négatifs sur l'environnement et sur votre santé s'ils ne sont pas éliminés de manière écologique. Avant de mettre au rebut votre ancien appareil, supprimez les données personnelles qui pourraient s'y trouver.



V Tension

--- Courant continu

n₀ Vitesse de rotation à vide



∅ de la lame de scie et de son alésage



Marque de conformité européenne



Marque de conformité britannique



Marque de conformité ukrainienne



Marque de conformité d'Eurasie

Dati tecnici Troncatrice	M18 SMS216
Numero di serie	4745 85 04... ... 000001-999999
Numero di giri a vuoto	2700 min ⁻¹
Tensione batteria	18V ---
Diametro lama x foro lama	216 x 30 mm
spessore lama sega	1,5 mm
Larghezza di taglio max. Ugnatura a 0°/ incl. a 0° Ugnatura a 45°/ incl. a 0° Ugnatura a 0°/ incl. a 45° Ugnatura a 45°/ incl. a 45°	60 x 270 mm 60 x 190 mm 48 x 270 mm 48 x 190 mm
Min. misurazione massima dei pezzi	130 x 35 x 2 mm
Temperatura ambiente consigliata per il funzionamento	-5°C - +40°C
Batterie consigliate	M18B..., M18HB...
Caricatori consigliati	M12-18..., M1418 C6
Peso secondo la procedura EPTA 01/2014	14,5 kg
La radiazione laser usata in questa sega è di Classe II con lunghezze d'onda massime P≤1mW e λ: 620 ~ 660 nm.	
Informazioni sulla rumorosità Valori misurati conformemente alla norma EN 62841. La misurazione A del livello di pressione acustica dell'utensile è di solito di: Livello di rumorosità (Incertezza della misura K=3dB(A)) Potenza della rumorosità (Incertezza della misura K=3dB(A)) Utilizzare le protezioni per l'udito!	91,8 dB (A) 105 dB (A)

AVVERTENZA

Il livello di emissione sonora indicato in questa scheda informativa è stato misurato secondo una procedura di test standardizzata definita nella norma EN 62841 e può essere utilizzato per confrontare un utensile con un altro. Può essere utilizzato per una valutazione preliminare dell'esposizione.

Il livello di emissione sonora dichiarato si riferisce alle principali applicazioni dell'utensile. Se l'utensile viene invece utilizzato per applicazioni diverse, con accessori diversi o in uno stato di scarsa manutenzione, le emissioni sonore possono differire. Questo può aumentare significativamente il livello di esposizione per l'intero periodo di lavoro.

Una stima del livello di esposizione al rumore dovrebbe anche tener conto dei tempi in cui l'utensile è spento o in cui è acceso ma non sta effettivamente lavorando. Questo può ridurre significativamente il livello di esposizione riferito all'intero periodo di lavoro.

Identificare ulteriori misure di sicurezza per proteggere l'operatore dagli effetti del rumore, come ad esempio la manutenzione dell'utensile e degli accessori e l'organizzazione delle procedure di lavoro.

Indossare protezioni acustiche adeguate. L'esposizione al rumore potrebbe comportare una riduzione dell'udito.

AVVERTENZA Leggere tutte le avvertenze di sicurezza, le istruzioni, le illustrazioni e i dati forniti a corredo dell'apparecchio. In caso di mancata osservanza delle seguenti istruzioni vi è il pericolo di provocare una scossa elettrica, di sviluppare incendi e/o di provocare seri incidenti.
Conservare tutte le avvertenze di pericolo e le istruzioni operative per ogni esigenza futura.

ISTRUZIONI DI SICUREZZA PER LE TRONCATRICI

- Le troncatrici servono a taglio del legno e prodotti simili al legno; esse possono essere usate con ruote di taglio abrasive per il taglio di materiale ferroso come barre, aste, chiodi ecc.** Polvere abrasiva causa il blocco delle parti in movimento come le protezioni inferiori. Scintille da taglio abrasivo bruceranno la protezione inferiore, l'inserto di taglio e altre parti in plastica.
- Utilizzare morsetti per sostenere il pezzo in lavorazione, per quando possibile. Se si sostiene il pezzo con le mani, si deve tenere la mano sempre ad almeno 100 mm da entrambi i lati della lama. Non utilizzare questa sega per tagliare pezzi che troppo piccoli per essere bloccati o mantenuti con la mano in modo sicuro.** Se la mano è posizionata troppo vicino alla lama, vi è un maggiore rischio di lesioni da contatto con la lama.
- Il pezzo deve essere fermo e bloccato o tenuto contro la guida e il tavolo. Non alimentare il pezzo nella lama o tagliare "a mano libera" in alcun modo.** Pezzi in lavorazione non fissati o mobili possono essere scagliati ad alta velocità, provocando lesioni.
- Premere la sega attraverso il pezzo in lavorazione. Non tirare la sega attraverso il pezzo. Per tagliare, alzare la testa della sega e accostarla al pezzo senza tagliare, avviare il motore, premere la testa della sega verso il basso e spingere la sega attraverso il pezzo in lavorazione.** Tagliare tirando può causare il sollevamento della lama sul pezzo in lavorazione e il lancio violento del gruppo della lama verso l'operatore.

e) **Non incrociare mai le mani sulla linea di taglio intesa davanti o dietro la lama della sega.** Supportare il pezzo in lavorazione "a mani incrociate", ovvero tenendo il pezzo in lavorazione alla destra della lama della sega con la mano sinistra o viceversa è molto pericoloso.

f) **Non porre le mani a meno di 100 mm dalla lama della sega per rimuovere scarti di legno, o per qualsiasi altro motivo, mentre la lama è in rotazione.** La vicinanza della lama della sega che gira alla propria mano può non essere evidente e può portare a infortuni gravi.

g) **Ispezionare il proprio pezzo da lavorare prima del taglio. Se il pezzo da lavorare è piegato o deformato, bloccarlo con il lato piegato esterno verso la guida del pezzo. Assicurarsi sempre che non ci sia spazio tra il pezzo da lavorare, la guida del pezzo e il tavolo lungo la linea di taglio.** Pezzi da lavorare contorti o deformati possono ruotare o spostarsi e causare inceppamento della lama della sega durante il taglio. Non ci dovrebbero essere chiodi o corpi estranei nel pezzo da lavorare.

h) **Non utilizzare la sega fino a quando il tavolo non è libero da utensili, scarti di legno ecc., tranne per il pezzo da lavorare.** Detriti o piccoli pezzi di legno o altri oggetti che entrano a contatto con la lama che gira possono essere scagliati ad alta velocità.

i) **Tagliare solo un pezzo per volta.** Più pezzi da lavorare sovrapposti non possono essere adeguatamente bloccati o rinforzati e possono incastrarsi sulla lama o spostarsi durante il taglio.

j) **Assicurarsi che la troncatrice sia montata o posta su una superficie di lavoro stabile e a livello prima dell'uso.** Una superficie stabile e a livello riduce il rischio che la troncatrice diventi instabile.

k) **Programmare il proprio lavoro. Ogni volta che si cambia l'impostazione dell'angolazione della ruota o della troncatrice, assicurarsi che la guidapezzo regolabile sia impostata correttamente per sostenere il pezzo da lavorare e che non interferirà con la lama o con il sistema di protezione.** Senza accendere l'attrezzo e con nessun pezzo da lavorare sul tavolo, muovere la lama della sega effettuando una simulazione di taglio completa per assicurare che non vi siano interferenze o pericoli durante il taglio da parte della guidapezzo.

l) **Fornire adeguato supporto come prolunghie per tavolo, supporti lama ecc. per un pezzo da lavorare che è più largo o più lungo della superficie del tavolo.** Pezzi da lavorare più lunghi o larghi del tavolo della troncatrice possono inclinarsi se non supportati correttamente. Se il pezzo tagliato o il pezzo da lavorare si inclina, esso può sollevare la protezione inferiore o essere scagliato dalla lama in movimento.

m) **Non utilizzare un'altra persona come sostituto della prolunga del tavolo o come supporto aggiuntivo.** Un supporto instabile per il pezzo da lavorare può causare la piegatura della lama o lo spostamento del pezzo da lavorare durante l'operazione di taglio tirando l'operatore o l'aiutante verso la lama in funzione.

n) **Il pezzo tagliato non deve essere incastrato o pressato in alcun modo contro la lama della sega in funzione.** Se confinato, vale a dire utilizzando dei blocchi di lunghezza, il pezzo tagliato potrebbe essere incuneato contro la lama ed essere scagliato violentemente.

o) **Usare sempre una morsa o un dispositivo progettato per supportare correttamente materiale rotondo come aste o tubi.** Le aste hanno la tendenza a rotolare mentre vengono tagliate, causando il "morso" della lama e tirando il pezzo da lavorare con la mano nella lama.

p) **Lasciare che la lama raggiunga la piena velocità prima di entrare in contatto con il pezzo da lavorare.** Ciò ridurrà il rischio che il pezzo da lavorare sia scagliato.

q) **Se il pezzo da lavorare o la lama si incastrano, spegnere la troncatrice. Attendere che le parti mobili si arrestino e scollegare la spina dall'alimentazione e/o rimuovere la batteria. Quindi liberare il materiale incastrato.** Continuare a segare con materiale incastrato può causare perdita di controllo o danneggiamento della troncatrice.

r) **Dopo aver ultimato il taglio, rilasciare l'interruttore, tenere la testa della sega verso il basso e attendere che la lama si arresti prima di rimuovere il pezzo tagliato.** Avvicinarsi con la mano alla lama che continua a muoversi per inerzia è pericoloso.

s) **Tenere salda l'impugnatura quando si effettua un taglio incompleto o quando si rilascia l'interruttore prima che la testa della sega sia completamente nella posizione inferiore.** L'azione frenante della sega può causare il ritorno improvviso della testa della sega verso il basso, causando rischio di infortunio.

Ulteriori avvisi di sicurezza e di lavoro

Indossare sempre equipaggiamento protettivo individuale, nonché guanti protettivi. Indossando abbigliamento di protezione personale come la maschera per polveri, scarpe di sicurezza che non scivolino, elmetto di protezione oppure protezione acustica a seconda del tipo e dell'applicazione dell'elettrotensile, si riduce il rischio di incidenti.

Indossare protezioni acustiche adeguate. L'esposizione al rumore potrebbe comportare una riduzione dell'udito.

La polvere provocata durante la lavorazione con questo utensile può essere dannosa alla salute e per questo motivo non devono entrare in contatto con il corpo. Usare un sistema d'aspirazione polvere e indossare una maschera di protezione dalla polvere. Rimuovere i depositi di polvere, per esempio con un aspiratore.

Collegare la sega con un dispositivo di aspirazione polveri se si sega del legno.

Vi consigliamo caldamente di leggere attentamente le istruzioni per l'uso prima di utilizzare l'apparecchio, solo in questo modo potrete infatti servirvene al meglio.

Accertarsi che la macchina sia sempre stabile (ad esempio fissandola sul banco di lavoro).

Tenere il pavimento libero da residui di materiali, ad es. trucioli e residui di taglio.

Non usare lame danneggiate o deformate.

Non utilizzare lame non corrispondenti alle specifiche riportate in queste istruzioni d'uso.

È consentito esclusivamente l'uso di utensili che corrispondono ai requisiti della norma EN 847-1.

Non utilizzare lame di sega fatte in acciaio rapido.

Scegliere una lama di sega adatta al materiale da tagliare.

Il numero di giri ammesso dell'accessorio impiegato deve essere almeno tanto alto quanto il numero massimo di giri riportato sull'elettrotensile. Un accessorio che gira più rapidamente di quanto consentito può rompersi in vari pezzi e venir lanciato intorno.

Gli utensili devono essere trasportati e conservati in un contenitore adatto;

Per fissare la lama della sega usare solo le flange illustrate nelle istruzioni per l'uso e quelle allegate.

Non utilizzare mai la sega troncatrice per tagliare materiali diversi da quelli indicati nelle istruzioni per l'uso.

Usare la troncatrice soltanto con coperchio di protezione ben funzionante e correttamente mantenuto. Il coperchio di protezione deve tornare indietro automaticamente.

Non rimuovere dalla zona di lavorazione i residui di taglio o altre porzioni dei pezzi in lavorazione se la macchina è in funzione e la testa segatrice non si trova in posizione di riposo.

Non entrare nel raggio d'azione dell'utensile mentre è in funzione.

Usare sempre il dispositivo di protezione dell'apparecchio.

Guasti della macchina, inclusi quelli del dispositivo di protezione o delle lame della sega, devono essere segnalati alla persona responsabile della sicurezza, non appena vengono individuati.

Non bloccare la calotta di protezione.

Pezzi lunghi devono essere supportati adeguatamente +D6.

Trasportare la sega troncatrice solo con sicura di trasporto chiusa sul manico.

Nell'eseguire tagli piramidali, tagli a squadra o tagli piramidali multipli, regolare lo schermo scorrevole per garantire la corretta distanza dalla lama.

Adeguare la velocità di avanzamento per evitare il surriscaldamento dei denti della lama e, durante il taglio di materiale sintetico, la fusione del materiale.

L'utensile ad inserto ha spigoli vivi e può surriscaldarsi durante l'uso.

AVVERTENZA! Pericolo di tagli e bruciature

- quando si maneggiano gli utensili ad inserto

- durante il deposito dell'utensile

Indossare guanti protettivi quando si maneggiano gli utensili ad inserto.

Anche in caso di uso corretto del prodotto non è possibile escludere del tutto i rischi residui. Durante l'uso possono presentarsi i seguenti rischi, per cui l'operatore dovrà rispettare quanto segue:

- Per evitare danni all'udito, limitare i tempi di esposizione e indossare idonea protezione dell'udito.
- Occorre indossare una maschera respiratoria per evitare danni alla salute dovuti all'inalazione di polvere di segatura.

LASER

Non guardare nel raggio laser e non puntarlo su altre persone.

Non osservare il raggio laser con strumenti ottici di aiuto (binocolo, cannocchiale).

Non rivolgere il laser su superfici riflettenti.

Non esporre alla radiazione laser. Il laser può emettere una forte radiazione.

Non sostituire il laser integrato applicandovi un laser di un altro tipo. Le riparazioni devono essere eseguite esclusivamente da tecnici di assistenza autorizzati.

UTILIZZO CONFORME

La troncatrice può essere utilizzata per il taglio di legno massiccio, legno incollato, materiali simili al legno e plastica.

Non è ammessa segare pezzi a sezione rotonda o irregolare (ad es. legno da ardere) visto che non possono essere serrati in sicurezza durante la fase di segatura. Se si desiderano segare pezzi piani appoggiati sul loro lato stretto occorre utilizzare un'idonea battuta ausiliaria per una guida sicura.

RISCHI RESIDUI

Anche in caso di uso corretto del prodotto non è possibile escludere del tutto i rischi residui. Durante l'uso possono presentarsi i seguenti rischi, per cui l'operatore dovrà rispettare quanto segue:

- Lesioni causate da vibrazioni. Tenere il dispositivo sulle apposite impugnature e limitare i tempi di lavoro e di esposizione.
- L'esposizione al rumore può causare danni all'udito. Indossare una protezione per l'udito e limitare la durata dell'esposizione.
- Lesioni agli occhi causate da particelle di detriti. Indossare sempre occhiali di protezione, pantaloni lunghi pesanti e scarpe robuste.
- Inalazione di polveri tossiche.

DICHIARAZIONE DI CONFORMITÀ CE

Assumendone la piena responsabilità, dichiariamo che il prodotto descritto nei "Dati tecnici" è conforme alle pertinenti disposizioni delle direttive

2011/65/EU, (EU) 2015/863 (RoHS)
2006/42/EC
2014/30/EU

e che sono state applicate le seguenti norme armonizzate è stato usato

EN 62841-1:2015+A11:2020
EN IEC 62841-3-9:2020+A11:2020
EN IEC 55014-1:2021
EN IEC 55014-2:2021
EN IEC 63000:2018

 Winnenden, 2022-12-12



Alexander Krug / Managing Director
Autorizzato alla preparazione della documentazione tecnica
Techtronic Industries GmbH
Max-Eyth-Straße 10, 71364 Winnenden, Germany

BATTERIE

Batterie non utilizzate per molto tempo devono essere ricaricate prima dell'uso. A temperature superiori ai 50°C, la potenza della batteria si riduce.

Evitare di esporre l'accumulatore a surriscaldamento prolungato, dovuto ad esempio ai raggi del sole o ad un impianto di riscaldamento.

Per una ottimale vita utile è necessario ricaricare completamente le batterie dopo l'uso.

Per una più lunga durata, rimuovere le batterie dal caricabatterie quando saranno cariche.

In caso di immagazzinaggio della batteria per più di 30 giorni: Conservare il pacco batterie in un luogo con una temperatura inferiore a 27 °C e al riparo dall'umidità. Immagazzinare la batteria con carica di circa il 30% - 50%.

TRASPORTO DI BATTERIE AGLI IONI DI LITIO

Trasporto di batterie agli ioni di litio

Il trasporto di queste batterie deve avvenire rispettando le disposizioni e norme locali, nazionali ed internazionali.

Gli utilizzatori possono trasportare queste batterie su strada senza alcuna restrizione.

Il trasporto commerciale di batterie agli ioni di litio è regolato dalle disposizioni sul trasporto di merce pericolosa. Le preparazioni al trasporto ed il trasporto stesso devono essere svolti esclusivamente da persone idoneamente istruite. Tutto il processo deve essere gestito in maniera professionale.

Durante il trasporto di batterie occorre tenere conto di quanto segue:

Assicurarsi che i contatti siano protetti ed isolati per evitare corto circuiti. Accertarsi che il gruppo di batterie non possa spostarsi all'interno dell'imballaggio. Batterie danneggiate o batterie che perdono liquido non devono essere trasportate. Per ulteriori informazioni si prega di contattare il proprio trasportatore.

DISPOSITIVO ANTISOVRACCARICO ACCUMULATORE

In caso di sovraccarico della batteria a causa di consumo elettrico molto elevato, ad es. per valori di coppia molto elevati, inceppamento dell'utensile ad inserto, arresto improvviso o corto circuito, l'elettrotensile si arresta per 2 secondi e si disattiva automaticamente. Per resettare, rimuovere il pacco batteria dall'utensile e sostituirlo. Se sottoposto a sollecitazioni estreme l'accumulatore si riscalda eccessivamente. In questo caso lampeggiano tutte le spie del display di carica finché l'accumulatore non è raffreddato. Quando il display di carica si spegne si può continuare a lavorare. Inserire l'accumulatore nell'apparecchio carica-batterie per ricaricarlo e attivarlo.

MANUTENZIONE

Prima di iniziare togliere la batteria dall'apparecchio.

Assicurarsi di aver scollegato l'utensile dall'alimentazione prima di collegarlo o prima di rimuovere la lama.

Sostituire inserti da banco consumati.

Pulire l'apparecchio ed il dispositivo di protezione con un panno asciutto.

Tener sempre ben pulite le fessure di ventilazione dell'apparecchio.

Usare solo accessori Milwaukee e pezzi di ricambio Milwaukee. Gruppi costruttivi la cui sostituzione non è stata descritta, devono essere fatti cambiare da un punto di servizio di assistenza tecnica al cliente Milwaukee (vedi depliant garanzia/indirizzi assistenza tecnica ai clienti).

In caso di mancanza del disegno esploso, può essere richiesto al seguente indirizzo: Techtronic Industries GmbH, Max-Eyth-Straße 10, 71364 Winnenden, Germany.

SIMBOLI



ATTENZIONE! AVVERTENZA! PERICOLO!



Prima di iniziare togliere la batteria dalla apparecchiatura.



Leggere attentamente le istruzioni per l'uso prima di mettere in funzione l'elettrotensile.



Durante l'uso dell'apparecchio utilizzare sempre gli occhiali di protezione.



Utilizzare le protezioni per l'udito!



Indossare guanti protettivi!



Tenere le mani sempre lontane dalla zona di lavoro della lama.



Non esporre la macchina alle intemperie.



Questo prodotto contiene un prodotto laser di consumo di classe 2 secondo

EN 60825-1:2014+A11:2021 e EN 50689:2021.

Non guardare nel raggio laser



I rifiuti di pile e i rifiuti di apparecchiature elettriche ed elettroniche non devono essere smaltiti insieme ai rifiuti domestici. I rifiuti di pile e di apparecchiature elettriche ed elettroniche devono essere raccolti e smaltiti separatamente. Rimuovere i rifiuti di pile e di accumulatori nonché le sorgenti luminose dalle apparecchiature prima di smaltirle. Chiedere alle autorità locali o al rivenditore specializzato dove si trovano i centri di riciclaggio e i punti di raccolta. A seconda dei regolamenti locali, i rivenditori al dettaglio possono essere obbligati a ritirare gratuitamente i rifiuti di pile e i rifiuti di apparecchiature elettriche ed elettroniche. Aiutate a ridurre il fabbisogno di materie prime riutilizzando e riciclando i propri rifiuti di pile e di apparecchiature elettriche ed elettroniche. I rifiuti di pile (specialmente di pile agli ioni di litio) e i rifiuti di apparecchiature elettriche ed elettroniche contengono materiali preziosi e riciclabili che possono avere un impatto negativo sull'ambiente e sulla vostra salute se non vengono smaltiti in modo ecologico. Cancellare tutti i dati personali che potrebbero essere presenti sul vostro rifiuto di apparecchiatura prima di procedere allo smaltimento.



Voltaggio



Corrente continua



Numero di giri a vuoto



Diametro lama x foro lama



Marchio di conformità europeo



Marchio di conformità britannico



Marchio di conformità ucraino



Marchio di conformità euroasiatico

Datos técnicos Inglotadora	M18 SMS216
Número de producción	4745 85 04... ... 000001-999999
Velocidad en vacío	2700 min ⁻¹
Voltaje de batería	18V ---
Disco de sierra - ø x orificio ø	216 x 30 mm
grueso de las hojas de la sierra	1,5 mm
Anchura de roza máx. Inglete 0°/ Inclinación 0° Inglete 45°/ Inclinación 0° Inglete 0°/ Inclinación 45° Inglete 45°/ Inclinación 45°	60 x 270 mm 60 x 190 mm 48 x 270 mm 48 x 190 mm
Dimensiones mín. de la pieza de trabajo	130 x 35 x 2 mm
Temperatura ambiente recomendada para la operación	-5°C - +40°C
Juegos de baterías recomendados	M18B..., M18HB...
Cargadores recomendados	M12-18..., M1418 C6
Peso de acuerdo con el procedimiento EPTA 01/2014	14,5 kg
La radiación del láser que se utiliza en esta sierra es de Clase II con máximo P≤1mW y una longitud de onda de λ: 620 ~ 660 nm.	
Información sobre ruidos Determinación de los valores de medición según norma EN 62841. El nivel de ruido típico del aparato determinado con un filtro A corresponde a: Presión acústica (Tolerancia K=3dB(A)) Resonancia acústica (Tolerancia K=3dB(A)) Usar protectores auditivos!	91,8 dB (A) 105 dB (A)

ADVERTENCIA

El valor de emisión de ruidos indicado en esta hoja informativa ha sido medido conforme a un método de medición de pruebas estandarizado en la norma EN 62841, y puede utilizarse para la comparación entre herramientas. También es apropiado para una estimación provisional de la carga.

El valor de emisión de ruidos indicado representa las aplicaciones principales de la herramienta. Si por el contrario se usase la herramienta para otras aplicaciones o con accesorios diferentes o no se realizase el suficiente mantenimiento de la misma, el valor de emisión de ruidos puede ser diferente. Esto puede incrementar sensiblemente la carga durante todo el periodo de trabajo. Para una estimación exacta de la carga provocada por ruidos deberían tenerse en cuenta también los tiempos durante los que la herramienta está apagada o, pese a estar en funcionamiento, no está siendo realmente utilizado. Esto puede reducir sensiblemente la carga durante todo el periodo de trabajo.

Adopte medidas de seguridad adicionales para la protección del operador frente al efecto de los ruidos, como por ejemplo: Mantenimiento de la herramienta y de los accesorios y organización de procesos de trabajo.

¡Utilice protección auditiva! La exposición a niveles de ruido excesivos puede causar la pérdida de audición.



ADVERTENCIA Lea las indicaciones de seguridad, instrucciones, descripciones y datos que se incluyen en el aparato. En caso de no atenerse a las instrucciones siguientes, ello puede provocar una electrocución, incendio y/o lesiones serias. **Guardar todas las advertencias de peligro e instrucciones para futuras consultas.**



INSTRUCCIONES DE SEGURIDAD PARA TRONZADORAS

- La finalidad de las tronadoras es cortar productos de madera y no pueden utilizarse con discos de corte abrasivos para cortar materiales ferrosos como barras, tubos, pernos, etc.** El polvo abrasivo hace que se atasquen las piezas móviles como la defensa inferior. Las chispas que genera el corte abrasivo quemarán la defensa inferior, el inserto de corte y otras piezas de plástico.
- Siempre que sea posible, utilice abrazaderas para sujetar la pieza de madera. Si sujeta la pieza de madera manualmente, siempre deberá mantener su mano alejada de ambos lados del disco de la tronadora, como mínimo, 100 mm. No utilice esta tronadora para cortar piezas que sean demasiado pequeñas como para ser sujetadas con abrazaderas o la mano.** Si su mano se sitúa demasiado cerca del disco de la tronadora, se incrementará el riesgo de lesión por contacto con el disco de corte.
- La pieza de trabajo deberá estar en estado estacionario y fijada con abrazaderas o contra la reja y la mesa. No empuje la pieza de trabajo contra el disco de la tronadora "a pulso" de ninguna forma.** Las piezas de trabajo sin sujetar o en movimiento podrían salir disparadas a altas velocidades causando lesiones.
- Empuje la tronadora a través de la pieza de trabajo. No tire de la tronadora a través de la pieza de trabajo. Para hacer un corte, eleve el cabezal de la tronadora y, pasando por encima de la pieza de trabajo sin cortar, arranque**

el motor, presione el cabezal de la tronadora y empújelo a través de la pieza de trabajo. Al hacer cortes tirando, es probable que el disco de la tronadora ascienda a la parte superior de la pieza de trabajo y que la unidad de corte salga disparada violentamente hacia el operario.

e) **Nunca cruce su mano sobre la línea de corte programada, ya sea delante o detrás del disco de la tronadora.** Sujetar la pieza de trabajo con las "manos cruzadas", p. ej., sosteniendo la pieza de trabajo a la derecha del disco de la tronadora con su mano izquierda o viceversa es muy peligroso.

f) **No acceda a la parte posterior de la reja con ninguna de las dos manos a una distancia inferior a 100 mm desde cualquiera de los dos lados del disco de la tronadora para retirar trozos de madera o por cualquier otro motivo mientras el disco este girando.** La proximidad del disco de la tronadora a su mano mientras esté girando podría no ser obvia y esto podría lesionar su mano seriamente.

g) **Inspeccione su pieza de trabajo antes de cortarla. Si la pieza de trabajo está abombada o deformada, sujete la parte exterior abombada con abrazaderas en dirección a la reja. Asegúrese siempre que no haya un espacio entre la pieza de trabajo, la reja y la mesa a lo largo de la línea de corte.** Las piezas de trabajo abombadas o deformadas pueden retorcerse o desplazarse y esto podría atascar el disco de la tronadora mientras gira durante el corte. No debe haber clavos u objetos extraños en la pieza de trabajo.

h) **No utilice la tronadora hasta que se hayan retirado todas las herramientas, trozos de madera, etc., de la mesa, con excepción de la pieza de trabajo.** Las astillas pequeñas o las piezas sueltas de madera, u otros objetos que entren en contacto con el disco de la tronadora al girar podrían salir disparados a gran velocidad.

i) **Corte únicamente una pieza de trabajo por vez.** Las piezas de trabajo múltiples apiladas no pueden sujetarse adecuadamente con una abrazadera o fijarse, y esto podría atascar el disco de la tronadora mientras gira o desplazarse durante el corte.

j) **Asegúrese de que la tronadora está montada o situada sobre una superficie de trabajo nivelada y firme antes de usarla.** Una superficie de trabajo nivelada y firme reduce el riesgo de que la tronadora se vuelva inestable.

k) **Planifique su trabajo. Cada vez que cambie el ajuste del ángulo de biselar o tronzar, asegúrese de que la reja ajustable está fijada correctamente para soportar la pieza de trabajo y que no interferirá con el disco o el sistema de defensa.** Sin pulsar el botón "ON" de la herramienta y sin una pieza de trabajo en la mesa, mueva el disco de la tronadora a lo largo de una simulación de corte para asegurar que no habrá ninguna interferencia o peligro de cortar la reja.

l) **Proporcione un soporte adecuado como, por ejemplo, extensiones de mesa, caballetes para tronadoras, etc., para una pieza de trabajo que sea más ancha o más larga que la superficie de trabajo de la mesa.** Las piezas de trabajo más largas o más anchas que la mesa de la tronadora pueden volcar si no disponen de un soporte adecuado. Si la pieza de corte o la pieza de trabajo volcase, esta podría levantar la defensa inferior o ser disparada por el disco mientras gira.

m) **No utilice a otra persona como sustituto de una extensión de la mesa o como soporte adicional.** Un soporte inestable para la pieza de trabajo puede provocar que el disco de la tronadora se atasque o que la pieza de trabajo se desplace durante la operación de corte, arrastrándole a usted y a su ayudante hacia el disco de la tronadora mientras gira.

n) **La pieza de corte no debe martillearse o presionarse de ninguna forma contra el disco de la tronadora mientras gira.** Si se confina, p. ej., utilizando topes longitudinales, la pieza de corte podría quedar atascada contra el disco de la tronadora y salir disparado violentamente.

o) **Utilice siempre una abrazadera o una fijación designada para sujetar apropiadamente materiales cilíndricos como barras o tubos.** Las barras tienden a rodar mientras se cortan, haciendo que el disco de la tronadora "muerda" y tire del trabajo con su mano hacia el disco.

p) **Deje que el disco de la tronadora alcance la velocidad máxima antes de que entre en contacto con la pieza de trabajo.** Esto reducirá el riesgo de que la pieza de trabajo salga disparada.

q) **Si se atasca la pieza de trabajo o el disco de la tronadora, apague la tronadora. Espere hasta que todas las partes móviles se hayan detenido y desconecte el enchufe de la toma de corriente y/o retire la batería. Ahora puede comenzar a trabajar para liberar el material atascado.** Continuar tronando con una pieza de trabajo atascada podría causar una pérdida de control o dañar la tronadora.

r) **Tras finalizar el corte, suelte el interruptor, mantenga el cabezal de la tronadora hacia abajo y espere a que el disco se detenga antes de retirar la pieza de corte.** Aproximar su mano al disco en desplazamiento es peligroso.

s) **Sujete el mango firmemente al hacer un corte incompleto o al liberar el interruptor antes de que el cabezal de la tronadora se encuentre completamente en la posición inferior.** La acción de frenado de la tronadora podría causar que el cabezal de la misma tire hacia abajo de forma inesperada, lo que conlleva riesgo de lesiones.

Instrucciones adicionales de seguridad y laborales

Utilice un equipo de protección personal y en todo caso unas gafas de protección. El riesgo a lesionarse se reduce considerablemente si, dependiendo del tipo y la aplicación de la herramienta eléctrica empleada, se utiliza un equipo de protección adecuado como una mascarilla antipolvo, zapatos de seguridad con suela antideslizante, casco, o protectores auditivos.

¡Utilice protección auditiva! La exposición a niveles de ruido excesivos puede causar la pérdida de audición.

El polvo que se produce cuando se usa esta herramienta puede ser perjudicial para la salud. Use un sistema de absorción de polvo y utilice una máscara adecuada de protección contra el polvo. Limpie el polvo depositado, por ejemplo con un aspirador.

En caso de que utilice la sierra para cortar madera, conecte la sierra a una aspiradora de polvo.

Antes de usar la herramienta, por favor lea las instrucciones. Si es posible, pida que le hagan una demostración de la máquina.

Asegúrese de que la máquina se encuentre siempre en una posición segura (p. ej. sujetarla en el banco de trabajo)

Mantenga la superficie libre de restos de material como p. ej. virutas y restos de aserrado

No use hojas de sierra dañadas o deformadas.

No se pueden emplear hojas de sierra cuyos datos codificados no corresponden a estas instrucciones de manejo.

Deben utilizarse únicamente herramientas conformes con la norma EN 847-1.

No emplear hojas de sierra elaboradas de acero de corte rápido. Elegir la hoja de sierra adecuada para el material a cortar.

Las revoluciones admisibles del útil deberán ser como mínimo iguales a las revoluciones máximas indicadas en la herramienta eléctrica. Aquellos accesorios que giren a unas revoluciones mayores a las admisibles pueden llegar a romperse y salir despedidos.

Las herramientas deben transportarse y almacenarse en un embalaje adecuado;

Utilizar solamente las bridas adjuntas y representadas en las instrucciones de empleo para la fijación de la hoja de sierra.

No emplear jamás la sierra retestadora para cortar materiales que no estén indicados en las instrucciones de empleo.

Utilice la sierra tronadora únicamente con cubierta protectora que funcione de forma segura y se encuentre en buen estado de entretenimiento.

No quitar restos de aserrado u otras partes de piezas de trabajo del área de aserrado al estar la máquina en funcionamiento y si la cabeza de la sierra no se encuentra en posición inactiva.

No manipular en el rodillo ni en las cuchillas con la máquina conectada.

Usar siempre las piezas de protección de la máquina.

En el momento de detectar fallas en la máquina, incl. en el dispositivo de seguridad o en las hojas de la sierra, deberán comunicarse las mismas inmediatamente a la persona responsable de la seguridad.

No bloquear la protección automática del disco.

Apoyar de forma adecuada la pieza a trabajar.

Transportar la sierra retestadora únicamente con el protector de transporte en el tomadero engatillado.

Al realizar cortes en inglete, en bisel o en inglete compuesto, ajuste la guía deslizante para garantizar la holgura correcta de la hoja.

Adapte la velocidad de avance para evitar que se sobrecalienten los dientes de la hoja de sierra y que se derrita el material plástico al cortar el material.

La herramienta intercambiable tiene bordes afilados y se puede calentar durante su uso.

¡ADVERTENCIA! Riesgo de cortes y quemaduras

-al manipular las herramientas intercambiables

-en caso de depositar el aparato

Llevar guantes de protección al manipular las herramientas intercambiables.

Incluso en caso de la utilización correcta del producto no se pueden excluir totalmente los peligros residuales. Durante la utilización del producto se pueden producir los siguientes riesgos, por lo que el usuario debería tener en cuenta lo siguiente:

- Para evitar lesiones auditivas se debe limitar el tiempo de exposición y utilizar una protección para los oídos adecuada.
- Se debe utilizar una protección respiratoria con el fin de evitar riesgos para la salud que pueden surgir por la respiración del polvo producido en las operaciones de corte.

LÁSER

No mire hacia la luz láser, ni la dirija hacia otras personas.

No mire con aparatos ópticos (binoculares, telescopio,) hacia el láser.

No dirija el láser hacia superficies reflectantes.

No se exponga a la radiación láser. El láser puede emitir una radiación intensa.

No sustituya el láser original por uno de otro tipo. Las reparaciones deben ser realizadas únicamente por personal autorizado del servicio técnico.

APLICACIÓN DE ACUERDO A LA FINALIDAD

La sierra tronadora sirve para cortar madera maciza, maderas encoladas, materias similares a la madera y materias plásticas.

No deberán cortarse con la sierra piezas de trabajo con perfil redondo o irregular (p. ej. leña), dado que no se pueden sujetar de manera segura. Al cortar de canto con la sierra piezas planas, deberá utilizarse un tope auxiliar adecuado para una guía segura.

PELIGROS RESIDUALES

Incluso en caso de la utilización correcta del producto no se pueden excluir totalmente los peligros residuales. Durante la utilización del producto se pueden producir los siguientes riesgos, por lo que el usuario debería tener en cuenta lo siguiente:

- Lesiones provocadas por efecto de la vibración. Sujete el dispositivo utilizando las empuñaduras previstas para ello y limite el tiempo de trabajo y de exposición a riesgos.
- La contaminación acústica puede provocar lesiones auditivas. Lleve una protección auditiva y limite el tiempo de exposición a riesgos.
- Lesiones oculares producidas por partículas de suciedad. Lleve siempre gafas protectoras, pantalones resistentes y largos y calzado resistente.
- Inhalación de polvos tóxicos.

DECLARACION DE CONFORMIDAD CE

Declaramos bajo nuestra única responsabilidad que el producto descrito bajo "Datos técnicos" cumple todas las disposiciones pertinentes de las directivas

2011/65/EU, (EU) 2015/863 (RoHS)
2006/42/EC
2014/30/EU

y que se han implementado y estándares

EN 62841-1:2015+A11:2022
EN IEC 62841-3-9:2020+A11:2020
EN IEC 55014-1:2021
EN IEC 55014-2:2021
EN IEC 63000:2018



Winnenden, 2022-12-12

Alexander Krug / Managing Director
Autorizado para la redacción de los documentos técnicos.
Techtronic Industries GmbH
Max-Eyth-Straße 10, 71364 Winnenden, Germany

BATERIA

Las baterías no utilizadas durante cierto tiempo deben ser recargadas antes de usar. Las temperaturas superiores a 50°C reducen el rendimiento de la batería. Evite una exposición excesiva a fuentes de calor o al sol (riesgo de sobrecalentamiento).

Los puntos de contacto de los cargadores y las baterías se deben mantener limpios.

Para un tiempo óptimo de vida, deberán cargarse las baterías completamente después de su uso.

Para garantizar la máxima capacidad y vida útil, las baterías recargables se deberían retirar del cargador una vez finalizada la carga.

En caso de almacenar la batería recargable más de 30 días: Guarde la batería en un lugar con una temperatura inferior a 27 °C y lejos de la humedad. Almacenar la batería recargable con un estado de carga del 30% y 50% aproximadamente.

TRANSPORTE DE BATERÍAS DE IONES DE LITIO

Transporte de baterías de iones de litio

El transporte de estas baterías recargables debe llevarse a cabo, observando las normas y disposiciones locales, nacionales e internacionales.

Los consumidores pueden transportar estas baterías recargables sin el menor reparo en la calle.

El transporte comercial de baterías recargables de iones de litio por empresas de transportes está sometido a las disposiciones del transporte de mercancías peligrosas. Las preparaciones para el envío y el transporte deben ser llevados a cabo exclusivamente por personas instruidas adecuadamente. El proceso completo debe ser supervisado por personal competente.

Los siguientes puntos se deben observar para el transporte de las baterías recargables:

Se debe asegurar que los contactos estén protegidos y aislados para evitar que se produzcan cortocircuitos. Preste atención a que el conjunto de baterías recargables no se pueda desplazar dentro del envase. Las baterías recargables deterioradas o derramadas no se deben transportar. Rogamos que para cualquier información adicional se dirija a su empresa de transportes.

PROTECCIÓN CONTRA SOBRECARGA DE LA BATERÍA

En caso de sobrecarga del acumulador por consumo excesivo de corriente eléctrica, por ej. debido a pines muy elevados, agarrotamiento del útil, parada repentina o cortocircuito, la herramienta eléctrica se detendrá durante 2 segundos y se desconectará automáticamente. Para restablecer, retire la batería de la herramienta y vuelva a colocarla. Bajo cargas extremas la batería se calienta demasiado. En este caso, todas las luces del indicador de carga parpadean hasta que la batería se enfría. Cuando se apaga el indicador de carga se puede trabajar de nuevo. Meta entonces la batería en el cargador para recargarla otra vez y activarla.

MANTENIMIENTO

Retire la batería antes de comenzar cualquier trabajo el aparato.

Asegúrese de desconectar la herramienta de la fuente de alimentación antes de ajustar o retirar la hoja de sierra.

Sustituya la pieza de refuerzo de mesa desgastada.

Limpie la herramienta y el dispositivo protector con un paño seco.

Las ranuras de ventilación de la máquina deben estar despejadas en todo momento.

Utilice solamente accesorios y repuestos Milwaukee. En caso de necesitar reemplazar componentes no descritos, contacte con cualquiera de nuestras estaciones de servicio Milwaukee (consultar lista de servicio técnicos).

En caso necesario, puede solicitar un despiece de la herramienta. Por favor indique el número de impreso que hay en la etiqueta y pida el despiece a la siguiente dirección: Techtronic Industries GmbH, Max-Eyth-Straße 10, 71364 Winnenden, Germany.

SÍMBOLOS



¡ATENCIÓN! ¡ADVERTENCIA! ¡PELIGRO!



Retire la batería antes de comenzar cualquier trabajo el aparato.



Lea las instrucciones detenidamente antes de conectar la herramienta



Para trabajar con la máquina, utilizar siempre gafas de protección.



Usar protectores auditivos!



Usar guantes protectores



No introduzca jamás las manos en el área de la hoja de la sierra.



No exponga la máquina a la lluvia.



Este producto contiene un producto láser de consumo de clase 2 según

EN 60825-1:2014+A11:2021 y EN 50689:2021.

No mire hacia la luz láser



Los residuos de pilas y de aparatos eléctricos y electrónicos no se deben desechar junto con la basura doméstica. Los residuos de pilas y de aparatos eléctricos y electrónicos se deben recoger y desechar por separado. Retire los residuos de pilas y acumuladores, así como las fuentes de iluminación de los aparatos antes de desecharlos. Infórmese en las autoridades locales o en su distribuidor especializado sobre los centros de reciclaje y los puntos de recogida. Dependiendo de las disposiciones locales al respecto, los distribuidores minoristas pueden estar obligados a aceptar de forma gratuita la devolución de residuos de pilas, aparatos eléctricos y electrónicos. Contribuya mediante la reutilización y el reciclaje de sus residuos de pilas y de aparatos eléctricos y electrónicos a reducir la demanda de materias primas. Los residuos de pilas (sobre todo de pilas de iones de litio) y de aparatos eléctricos y electrónicos contienen valiosos materiales reutilizables que pueden tener efectos negativos para el medio ambiente y su salud si no son desechados de forma respetuosa con el medio ambiente. Antes de desecharlos, elimine los datos personales que podría haber en los residuos de sus aparatos.



Tensión



Corriente continua



Velocidad en vacío



Disco de sierra - ø x orificio ø



Marcado de conformidad europeo



Marcado de conformidad británico



Marcado de conformidad ucraniano



Marcado de conformidad euroasiático

Características técnicas Serra de Esquadilhas	M18 SMS216
Número de produção	4745 85 04... ... 000001-999999
Velocidade em vazio	2700 min ⁻¹
Tensão do acumulador	18V ---
ø de disco x ø da furação	216 x 30 mm
espessura da folha de serra	1,5 mm
Largura de corte no máx. Esquadria 0°/Inclinação 0° Esquadria 45°/Inclinação 0° Esquadria 0°/Inclinação 45° Esquadria 45°/Inclinação 45°	60 x 270 mm 60 x 190 mm 48 x 270 mm 48 x 190 mm
Dimensões min. da peça de trabalho	130 x 35 x 2 mm
Temperatura ambiente recomendada para a operação	-5°C - +40°C
Conjuntos de baterias recomendados	M18B..., M18HB...
Carregadores recomendados	M12-18..., M1418 C6
Peso nos termos do procedimento-EPTA 01/2014	14,5 kg
A radiação laser utilizada nesta serra é de Classe II, com um máximo de P≤1mW e λ: 620 ~ 660 nm de comprimentos de onda.	
Informações sobre ruído Valores de medida de acordo com EN 62841. O nível de ruído avaliado A do aparelho é tipicamente:	
Nível da pressão de ruído (Incertez K=3dB(A)) Nível da potência de ruído (Incertez K=3dB(A))	91,8 dB (A) 105 dB (A)
Use protectores auriculares!	

ATENÇÃO

O valor de emissão sonora indicado neste folheto foi medido de acordo com um processo de teste normalizado na norma EN 62841 e pode ser usado para comparar ferramentas. Ele também se destina a avaliar provisoriamente o nível de ruído.

O valor de emissão sonora indicado representa as aplicações principais da ferramenta. Se a ferramenta for usada para outras aplicações ou com outros acessórios ou não for mantida suficientemente, o valor de emissão sonora pode aumentar-se significativamente durante o período de trabalho inteiro.

Para avaliar exatamente o nível de ruído também devem ser considerados os períodos em que a ferramenta está desligada ou está a operar, mas não está realmente sendo usada. Isso pode reduzir significativamente o nível de ruído durante o período de trabalho inteiro.

Determine medidas de segurança suplementares para a proteção do utilizador contra o efeito do ruído como, por exemplo: manutenção da ferramenta e dos acessórios e organização dos processos de trabalho.

Sempre use a proteção dos ouvidos. Os ruídos podem causar surdez.



ATENÇÃO Ler todas as indicações de segurança, instruções, representações e dados fornecidos juntamente com o aparelho. O desrespeito das seguintes instruções pode levar a um choque eléctrico, incêndio e/ou graves lesões. **Guarde bem todas as advertências e instruções para futura referência.**



INSTRUÇÕES DE SEGURANÇA PARA SERRAS CIRCULARES

a) **As serras circulares destinam-se a cortar madeira ou produtos semelhantes a madeira, não podendo ser utilizadas com discos de corte abrasivos para cortar materiais ferrosos, tais como barras, varas, pinos, etc.** O pó proveniente dos produtos abrasivos faz com que as peças móveis, tais como a proteção inferior, encravem. As faíscas produzidas pelo corte abrasivo queimarão a proteção inferior, o encaixe de corte e outras peças de plástico.

b) **Sempre que possível, utilize grampos para segurar a peça. Se estiver a segurar a peça com as mãos, deverá sempre manter a sua mão a uma distância de, pelo menos, 100 mm de qualquer um dos lados da lâmina da serra. Não utilize esta serra para cortar pedaços que, por serem demasiado pequenos, não possam fixar-se em segurança com grampos ou manualmente.** Se a sua mão estiver demasiado próxima da lâmina da serra, há um risco acrescido de lesão por contacto com a lâmina.

c) **A peça tem de estar imóvel e presa com grampos, ou ser apoiada contra a barreira de proteção e contra a mesa. Não introduza a peça na lâmina nem efetue cortes de «mão livre», em nenhuma situação.** As peças soltas ou móveis poderão ser projetadas a altas velocidades, provocando ferimentos.

d) **Empurre a serra através da peça. Não puxe a serra através da peça. Para fazer um corte, levante a cabeça da serra, puxe-a sobre a peça sem cortar, ligue o motor, pressione a cabeça da serra para baixo e empurre a serra através da peça.** Começar a cortar no momento de arranque poderá fazer com que a lâmina da serra suba para cima da peça e projete a montagem da lâmina, violentamente, contra o operador.

e) **Nunca atravesse a sua mão sobre a linha de corte pretendida, quer em frente quer atrás da lâmina da serra.** Segurar na peça com as «mãos cruzadas», ou seja, segurar na peça à direita da lâmina da serra com a sua mão esquerda, ou vice-versa, é muito perigoso.

f) **Enquanto a serra estiver a girar, não tente chegar atrás da barreira de protecção, com nenhuma das mãos, para remover restos de madeira ou por qualquer outro motivo, a uma distância mais próxima do que 100 mm de cada um dos lados da lâmina da serra.** A proximidade da lâmina da serra em rotação relativamente à sua mão poderá não ser evidente e poderá lesionar-se de forma séria.

g) **Inspeccione a sua peça antes de a cortar. Se a peça estiver empenada ou deformada, fixe-a com grampos colocando o exterior da parte empenada contra a barreira. Certifique-se sempre de que, ao longo da linha de corte, não existe nenhum espaço vazio entre a peça, a barreira e a mesa.** As peças empenadas ou deformadas podem girar ou deslocar-se e fazer com que a serra em movimento bloqueie durante o corte. A peça não deverá conter pregos ou objetos estranhos.

h) **Não utilize a serra até que a mesa se encontre desimpedida de todas as ferramentas, restos de madeira, etc., exceto a própria peça.** Pequenos detritos e pedaços soltos de madeira ou outros objetos que contactem com a lâmina em rotação poderão ser projetados a alta velocidade.

i) **Corte apenas uma peça de cada vez.** Várias peças empilhadas não podem ser adequadamente grampeadas ou escoradas, podendo vir a bloquear a lâmina ou a deslocar-se durante o corte.

j) **Antes de a utilizar, certifique-se de que a serra circular é montada ou colocada sobre uma superfície de trabalho nivelada e firme.** Uma superfície de trabalho nivelada e firme reduz o risco de a serra circular se tornar instável.

k) **Planeie o seu trabalho. Sempre que alterar a configuração da chanfradura ou o ângulo da serra circular, certifique-se de que a barreira ajustável está montada de forma correta para apoiar a peça e de que não interfere com a lâmina ou com o sistema de protecção.** Sem ligar a ferramenta e sem ter nenhuma peça na mesa, desloque a lâmina da serra através de um corte completo simulado, a fim de garantir que não existe nenhuma interferência ou perigo de cortar a barreira de protecção.

l) **Para peças que sejam mais longas do que o tempo da mesa, proporcione apoios adequados, tais como extensões de bancada, cavaletes, etc.** Se não tiverem um apoio seguro, as peças mais longas ou largas do que a mesa da serra circular poderão inclinar-se. Se o pedaço cortado ou a própria peça se inclinarem, poderão fazer levantar a protecção inferior ou ser projetados pela lâmina em rotação.

m) **Não utilize outra pessoa como substituto de uma extensão de bancada ou como apoio adicional.** O apoio instável da peça poderá fazer com que a lâmina bloqueie ou com que a peça

se desloque durante a operação de corte, puxando-o a si e ao seu auxiliar para a lâmina em rotação.

n) **A peça cortada não deve ser encravada ou pressionada, seja de que modo for, contra a lâmina da serra em movimento.** Se for confinado, ou seja, se forem utilizados travões de comprimento, o pedaço cortado pode ficar encravado contra a lâmina e ser projetado violentamente.

o) **Utilize sempre um grampo ou aparelho concebido para apoiar adequadamente materiais redondos, tais como varas ou tubagens.** As varas têm tendência para rolar ao serem cortadas, fazendo com que a lâmina «morda» e puxe o trabalho, juntamente com a sua mão, para a lâmina.

p) **Deixe a lâmina alcançar a velocidade máxima antes de contactar com a peça.** Isto reduzirá o risco de a peça ser projetada.

q) **Se a peça ou a lâmina encravarem, desligue a serra circular. Espere que todas as partes em movimento parem e desligue a ficha de alimentação eléctrica e/ou retire a bateria. Depois, liberte o material encravado.** Continuar a serrar uma peça encravada poderá provocar a perda de controlo ou danificar a serra circular.

r) **Depois de acabar de cortar, solte o interruptor, mantenha a cabeça da serra em baixo e aguarde que a lâmina pare, antes de remover a peça cortada.** Aproximar a sua mão da lâmina enquanto esta ainda estiver a abrandar é perigoso.

s) **Segure firmemente na peça ao fazer um corte incompleto ou ao soltar o interruptor antes de a cabeça da serra estar completamente para baixo.** A ação de travagem da serra poderá fazer com que a cabeça da serra seja puxada subitamente para baixo, provocando risco de lesão.

Instruções de segurança e trabalho suplementares

Utilizar equipamento de protecção pessoal e sempre óculos de protecção. A utilização de equipamento de protecção pessoal, como máscara de protecção contra pó, sapatos de segurança antiderrapantes, capacete de segurança ou protecção auricular, de acordo com o tipo e aplicação da ferramenta eléctrica, reduz o risco de lesões.

Sempre use a protecção dos ouvidos. Os ruídos podem causar surdez.

A poeira gerada ao trabalhar com esta ferramenta pode ser perigosa para a saúde e por isso não deve atingir o corpo. Utilize um sistema de absorção de poeiras e use uma máscara de protecção. Retire completamente a poeira depositada, por exemplo com um aspirador.

Ao serrar madeira, conecte a serra a um aspirador de pó.

Recomenda-se a leitura atenta das instruções de serviço da máquina antes da primeira utilização. Paça para ser adestrado no uso prático da gadanhira.

Assegure-se que a máquina sempre esteja numa posição segura (por exemplo fixação na bancada de trabalho).

Mantenha o piso livre de resíduos de material, por exemplo aparas ou resíduos de serração.

Não use folhas de serra danificadas ou deformadas.

É inadmissível a utilização de discos de serra que não correspondam às características especificadas nestas instruções de serviço.

Devem apenas utilizar-se ferramentas que correspondem à norma EN 847-1.

Não utilize folhas de serra fabricadas de aço rápido.

Selecione uma folha de serra apropriada para o material a cortar. As rotações admissíveis da ferramenta de trabalho devem ser pelo menos tão elevadas como as rotações máximas indicadas na ferramenta eléctrica. Os acessórios que rodam mais rapidamente do que permitido podem partir-se e ser projectados.

As ferramentas devem ser transportadas e guardadas num receptáculo adequado;

Só utilize os flanges juntados e representados no manual de instruções para fixar a folha de serra.

Nunca utilize a serra de corte para cortar materiais não indicados no manual de instruções.

Só use a serra de aparar com uma tampa de protecção de funcionamento seguro, bem mantida. A tampa de protecção deve girar para trás automaticamente.

Não remova os resíduos de serração e outras partes de materiais da área de serração quando a máquina estiver a operar e a cabeça de serra não estiver na posição de repouso.

Não introduza as mãos na área perigosa, estando a máquina em funcionamento.

Nunca utilizar a máquina sem dispositivo de protecção.

Erros na máquina, inclusive do dispositivo de protecção ou das folhas de serra deverão ser comunicadas à pessoa responsável pela segurança, logo que forem detectados.

Não bloquear a cobertura de protecção giratória.

Materiais compridos deverão ser suportados apropriadamente.

Só transporte a serra de corte com dispositivo de transporte engatado no punho.

Ao efetuar cortes em ângulo, em bisel ou em ângulo compostos, ajustar a barreira deslizante para assegurar a distância correta da lâmina.

Ajuste a velocidade de avanço para evitar um sobreaquecimento dos dentes das folhas de serra e a fundição do material plástico durante o corte.

A ferramenta tem arestas afiadas e pode ficar quente durante a utilização.

ADVERTÊNCIA! Perigo de corte e queimadura

-no manejo das ferramentas

-ao depositar o aparelho

Use luvas de proteção no manejo das ferramentas.

Mesmo se este produto for usado de forma correcta, riscos residuais não podem ser inteiramente excluídos. Os seguintes riscos podem ocorrer na utilização. Por isso, o utilizador deve observar o seguinte:

- Para evitar danos de audição, o tempo de exposição deve ser limitado e uma protecção dos ouvidos adequada deve ser usada.
- Deverá ser usada uma máscara respiratória para evitar riscos de saúde, causados pela inalação de serradura.

LASER

Não olhar para o raio laser e não o apontar para outras pessoas.

Não olhar para o laser com instrumentos ópticos (binóculos, telescópio).

Não apontar o laser para superfícies reflectoras.

Não se expor ao raio laser. O laser pode emitir forte radiação.

Não substituir o laser montado por um laser de outro tipo. Reparações só devem ser efectuadas por técnicos de assistência autorizados.

UTILIZAÇÃO AUTORIZADA

A serra de aparar pode ser utilizada para serrar madeira maciça, madeira colada, materiais similares com madeira e materiais plásticos.

Materiais com secção transversal redonda ou irregular (por exemplo lenha) não devem ser serrados, pois não é possível segurá-los seguramente na serração. Na serração de canto de materiais planos, um encosto auxiliar apropriado deve ser usado para guiar o material seguramente.

RISCOS RESIDUAIS

Mesmo se este produto for usado de forma correcta, riscos residuais não podem ser inteiramente excluídos. Os seguintes riscos podem ocorrer na utilização. Por isso, o utilizador deve observar o seguinte:

- Feridas causadas pela vibração. Segure o aparelho nos punhos previstos e limite o tempo de trabalho e exposição.
- Os ruídos podem levar à perda de audição. Use um protetor auricular e limite o período de exposição.
- Feridas dos olhos causadas por partículas de sujeira. Use sempre óculos de protecção, calças compridas robustas e sapatos robustos.
- Inalação de pó tóxicos.

DECLARAÇÃO DE CONFORMIDADE CE

Declaramos, sob a nossa inteira responsabilidade, que o produto descrito em «Dados Técnicos» cumpre todas as disposições relevantes das diretivas

2011/65/EU, (EU) 2015/863 (RoHS)

2006/42/EC

2014/30/EU

tendo sido seguidas as seguintes normas harmonizadas foi usado

EN 62841-1:2015+A11:2022

EN IEC 62841-3-9:2020+A11:2020

EN IEC 55014-1:2021

EN IEC 55014-2:2021

EN IEC 63000:2018



Winnenden, 2022-12-12

Alexander Krug / Managing Director
Autorizado a reunir a documentação técnica.

Techtronic Industries GmbH
Max-Eyth-Straße 10, 71364 Winnenden, Germany

ACUMULADOR

Acumuladores não utilizados durante algum tempo devem ser recarregados antes da sua utilização. Temperaturas acima de 50°C reduzem a capacidade do bloco acumulador. Evitar exposição prolongada ao sol ou a caloríferos.

Manter limpos os contactos eléctricos no carregador e no bloco acumulador.

Para uma vida útil óptima das baterias, terá que carregá-las plenamente após a sua utilização.

Para assegurar uma vida útil longa, o pacote de bateria deve ser removido da carregadora depois do carregamento.

Se o pacote de bateria for armazenado por mais de 30 dias: Guarde a bateria num espaço cuja temperatura seja inferior a 27 °C e onde não haja humidade. Armazene o pacote de bateria com aprox. 30%-50% da carga completa.

TRANSPORTE DE BATERIAS DE IÃO-LÍTIU

Transporte de baterias de ião-lítio

O transporte destas baterias deve ser efetuado de acordo com as disposições e os regulamentos locais, nacionais e internacionais.

O utilizador pode efetuar o transporte rodoviário destas baterias sem restrições.

O transporte comercial de baterias de ião-lítio por terceiros está sujeito aos regulamentos relativos às substâncias perigosas. A preparação do transporte e o transporte devem ser executados exclusivamente por pessoas instruídas e o processo deve ser acompanhado pelos especialistas correspondentes.

Observe o seguinte no transporte de baterias:

Assegure-se de que os contatos terminais estejam protegidos e isolados para evitar um curto-circuito. Assegure-se de que o bloco da bateria esteja protegido contra movimentos na embalagem. Não transporte baterias danificadas ou que tenham fuga. Para instruções mais detalhadas consulte a companhia de transportes

PROTEÇÃO DE SOBRECARGA DE BATERIA

Em caso de sobrecarga da bateria devido a um consumo de energia muito alto, p.ex., por causa de um elevado binário, de uma parada repentina ou de um curto-circuito, a ferramenta elétrica pára por 2 segundos e desliga-se automaticamente. Para repor, retire a bateria da ferramenta e proceda à respetiva substituição. Sob condições extremas, a bateria aquece demasiado. Nesse caso, todas as luzes do indicador de carregamento de bateria piscam até que esta arrefeça. Após as luzes do indicador de carregamento de bateria se apagarem, pode-se continuar a trabalhar. Voltar então a colocar o acumulador no carregador para o carregar de novo e para assim o activar.

MANUTENÇÃO

Antes de efectuar qualquer intervenção o aparelho retirar o bloco acumulador.

Certifique-se que desliga a ferramenta da rede eléctrica antes de instalar ou remover a lâmina serra.

Substitua a inserção de mesa desgastada.

Limpe o aparelho e o dispositivo de protecção com um pano seco.


Manter desobstruídos os rasgos de ventilação na carcaça da máquina.

Utilizar apenas acessórios Milwaukee e peças sobresselentes Milwaukee. Os componentes cuja substituição não esteja descrita devem ser substituídos num serviço de assistência técnica Milwaukee (consultar a brochura relativa à garantia/moradas dos serviços de assistência técnica).


A pedido e mediante indicação da referência que consta da chapa de características da máquina, pode requerer-se um desenho explosivo da ferramenta eléctrica a: Techtron Industries GmbH, Max-Eyth-Straße 10, 71364 Winnenden, Germany.

SÍMBOLOS

 ATENÇÃO! PERIGO!

 Antes de efectuar qualquer intervenção o aparelho retirar o bloco acumulador.


 Leia atentamente o manual de instruções antes de colocar a máquina em funcionamento.

 Usar sempre óculos de protecção ao trabalhar com a máquina.

 Use protectores auriculares!

 Use luvas de protecção!

 Nunca coloque as mãos na área da folha de serra.

 Não exponha a máquina à chuva.



Este produto contém um produto a laser de consumo de classe 2 de acordo com

EN 60825-1:2014+A11:2021 e EN 50689:2021.

Não olhar para o raio laser

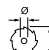


Resíduos de pilhas, resíduos de equipamentos elétricos e eletrónicos não devem ser descartados com o lixo doméstico. Resíduos de pilhas, resíduos de equipamentos elétricos e eletrónicos devem ser recolhidos e descartados separadamente. Remova os resíduos de pilhas, os resíduos de acumuladores e as luzes antes de descartar os equipamentos. Informe-se sobre os centros de reciclagem e os postos de coleta nas autoridades locais ou no seu vendedor autorizado. Dependendo dos regulamentos locais, os retalhistas podem ser obrigados a retomar gratuitamente os resíduos de pilhas e os resíduos de equipamentos elétricos e eletrónicos. Contribua a reduzir as necessidades de matérias-primas, reutilizando e reciclando os seus resíduos de pilhas e os seus resíduos de equipamentos elétricos e eletrónicos. Resíduos de pilhas (particularmente pilhas de íon lítio), resíduos de equipamentos elétricos e eletrónicos contêm materiais valiosos e reutilizáveis que podem ter efeitos negativos para o meio ambiente e a sua saúde. Apague eventuais dados pessoais existentes no seu resíduo de equipamento antes de descartá-lo.

V Tensão

 Corrente contínua

n₀ Velocidade em vazão

 Ø de disco x Ø da furação

CE Marca de Conformidade Europeia

UK CA Marca de Conformidade Britânica

 Marca de Conformidade Ucraniana

EAC Marca de Conformidade Eurasiática


Technische gegevens Afkortzaagmachine	M18 SMS216
Productienummer	4745 85 04... ... 000001-999999
Onbelast toerental	2700 min ⁻¹
Spanning wisselakku	18V ---
Zaagblad ø x boring ø	216 x 30 mm
zaagbladdikte	1,5 mm
Freesbreedte max. Verstek 0°/ afschuining 0° Verstek 45°/ afschuining 0° Verstek 0°/ afschuining 45° Verstek 45°/ afschuining 45°	60 x 270 mm 60 x 190 mm 48 x 270 mm 48 x 190 mm
Min. werkstukafmeting	130 x 35 x 2 mm
Aanbevolen omgevingstemperatuur voor het bedrijf	-5°C - +40°C
Aanbevolen accupacks	M18B..., M18HB...
Aanbevolen laadtoestellen	M12-18..., M1418 C6
Gewicht volgens de EPTA-procedure 01/2014	14,5 kg
De laserstraling die in deze zaag wordt gebruikt is een Klasse II met maximaal P ≤ 1mW λ: 620 ~ 660 nm golflente.	
Geluidsinformatie Meetwaarden vastgesteld volgens EN 62841. Het kenmerkende A-gewogen geluidsniveau van de machine bedraagt:	
Geluidsdruk niveau (Onzekerheid K=3dB(A)) Geluidsvermogen niveau (Onzekerheid K=3dB(A))	91,8 dB (A) 105 dB (A)
Draag oorbeschermers!	

WAARSCHUWING

De in dit gegevensblad vermelde geluidsemisiewaarde is gemeten volgens een in EN 62841 gormeerde testprocedure en kan worden gebruikt voor de onderlinge vergelijking van gereedschappen. Hij is ook geschikt voor een eerste beoordeling van de belasting. De aangegeven geluidsemisiewaarde geldt voor de belangrijkste toepassingen van het gereedschap. Als het gereedschap echter voor andere toepassingen of met ander toebehoren wordt gebruikt of onvoldoende wordt onderhouden, kan de geluidsemisiewaarde variëren. Hierdoor kan de belasting over de gehele werkperiode aanzienlijk stijgen.

Voor een nauwkeurige inschatting van de geluidsbelasting moet tevens rekening worden gehouden met de tijdstippen waarop het apparaat uitgeschakeld is of weliswaar loopt, maar niet daadwerkelijk in gebruik is. Hierdoor kan de belasting over de gehele werkperiode aanzienlijk dalen.

Bepaal aanvullende veiligheidsmaatregelen om de gebruiker te beschermen tegen de inwerking van lawaai, zoals onderhoud van het gereedschap en het toebehoren en de organisatie van werkprocessen.
Draag oorbeschermers. Lawaai kan gehoorverlies veroorzaken.

 **WAARSCHUWING** Lees en bekijk alle veiligheidsaanwijzingen, aanwijzingen, afbeeldingen en gegevens die u bij het apparaat ontvangt. Als u de volgende aanwijzingen niet in acht neemt, kunnen een elektrische schok, brand en/of ernstig letsel het gevolg zijn.
Bewaar alle waarschuwingen en voorschriften voor toekomstig gebruik.

VEILIGHEIDSAANWIJZINGEN VOOR VERSTEKZAGEN

- Verstekzagen zijn bestemd voor het zagen van hout of houtachtige producten. Zij kunnen niet worden gebruikt met slijpschijven voor het snijden in zijerhoudende materialen zoals stangen, staven, tapbouten enz.** Slijpstof en stof kan ertoe leiden dat bewegende delen zoals de onderste afscherming vast komen te zitten. Vonken door het werken met slijpschijven kunnen de onderste afscherming, het zaagsnede-element en andere plastic onderdelen verbranden.
- Gebruik indien mogelijk klemmen om het werkstuk vast te zetten. Wanneer het werkstuk met de hand ondersteund wordt, moet u uw hand altijd aan beide zijden van het zaagblad op minimaal 100 mm afstand houden. Gebruik deze zaag niet om stukken te zagen die te klein zijn om veilig ingeklemd of vastgehouden te worden.** Wanneer u met uw handen te dicht bij het zaagblad komt, neemt het risico op verwondingen door contact met de zaag toe.
- Het werkstuk moet onbeweeglijk ingeklemd zijn of tegen de aanslag en de tafel vastgehouden worden. Beweeg het werkstuk niet naar het zaagblad toe en zaag op geen enkele manier "uit de vrije hand".** Net vastgezette of bewegende werkstukken kunnen met hoge snelheid weggeslingerd worden en letsel veroorzaken.
- Duw de zaag door het werkstuk heen. Trek de zaag niet door het werkstuk heen. Om een zaagsnede te maken, tilt u de zaagkop omhoog en trekt u die boven het werkstuk zon-**

der te zagen. Start de motor, druk de zaagkop omlaag en druk de zaag door het werkstuk. Zagen tijdens het naar voren trekken van de zaag leidt er waarschijnlijk toe dat het zaagblad op het werkstuk „klimt“ en dat de zaagbladeenheid met geweld in de richting van de gebruiker wordt geslingerd.

e) **Zat uw hand nooit dwars op de beoogde zaaglijn neer voor of achter het zaagblad.** Het „kruiselingse“ ondersteunen van het werkstuk, d.w.z. het werkstuk rechts van het zaagblad vasthouden met uw linkerhand of vice versa, is zeer gevaarlijk.

f) **Kom niet met uw hand(en) achter de afscherming tot op een afstand van minder dan 100 mm van beide zijden van het zaagblad om houtsnippers te verwijderen of om welke andere reden dan ook, terwijl het zaagblad nog draait.** De nabijheid van het draaiende zaagblad tot uw hand valt wellicht niet op en u kunt ernstig gewond raken.

g) **Inspecteer uw werkstuk alvorens te zagen. Wanneer het werkstuk verbogen of krom is, moet u het inklemmen met de buitenste ronding naar de aanslag. Zorg er altijd voor dat er in de lijn van de zaagsnede geen open ruimte / spleet is tussen het werkstuk, de aanslag en de tafel.** Verbogen of vervormde werkstukken kunnen zich draaien of verschuiven en kunnen het draaiende zaagblad laten vastlopen tijdens het zagen. Er mogen geen nagels of vreemde voorwerpen in het werkstuk zitten.

h) **Gebruik de zaag pas, wanneer alle gereedschappen, houtresten enz. - behalve het werkstuk - van de tafel verwijderd zijn.** Klein vuil, losse stukjes hout of andere voorwerpen die met het draaiende zaagblad in aanraking komen, kunnen met hoge snelheid worden weggeslingerd.

i) **Zaag slechts een werkstuk tegelijk.** Gestapelde werkstukken kunnen niet adequaat worden vastgezet of ondersteund en kunnen het blad laten vastlopen of de werkstukken kunnen bij het zagen verschuiven.

j) **Zorg ervoor dat de verstekzaag op een stevige, vlakke ondergrond staat, voordat u die in gebruik neemt.** Een vlak en stevig werkblad verlaagt het risico op een instabiele zaagmachine.

k) **Plan uw werk. Telkens wanneer u de instelling voor de afschuining of het verstek wijzigt, dient u zich ervan te verzekeren dat de instelbare aanslag correct ingesteld is, het werkstuk correct ondersteunt en niet in conflict komt met het zaagblad of de beveiligingen.** Zonder de machine “Aan” te zetten en zonder werkstuk op de tafel, beweegt u de zaag door een volledige gesimuleerde zaagbeweging om te controleren dat het zaagblad geen obstakels tegenkomt en niet in de aanslag snijdt.

l) **Zorg voor adequate ondersteuning zoals tafelverlengingen, zaagbokken enz. voor een werkstuk dat breder of langer is dan het tafelblad.** Werkstukken die langer of breder zijn dan de verstekzaagtafel, kunnen kantelen, wanneer zij niet veilig ondersteund worden. Wanneer het afgezaagde stuk of het werkstuk kantelt, kan dit de onderste afscherming optillen of door het roterende blad worden weggeslingerd.

m) **Gebruik nooit iemand anders als vervanging voor een deugdelijke tafelverlenging of als additionele ondersteuning.** Een instabiele ondersteuning voor het werkstuk kan ertoe leiden dat het zaagblad vastloopt of dat het werkstuk verschuift tijdens de zaagbewerking, waardoor u met de helper naar het zaagblad wordt getrokken.

n) **Het afgezaagde stuk mag niet op welke manier dan ook tegen het draaiende zaagblad worden gedrukt of gekneld.** Wanneer het afgezaagde stuk bijv. door stoppers in lengterichting wordt tegengehouden, kan het tegen het zaagblad worden gedrukt en met geweld weggeslingerd worden.

o) **Gebruik altijd een klem of een bevestiging die ontworpen is voor ondersteuning van ronde materialen zoals staven en buizen.** Staven hebben de neiging om tijdens het zagen te rollen waardoor het blad in het werkstuk “bijt” en het met uw hand naar het zaagblad trekt.

p) **Laat het zaagblad het volle toerental bereiken, voordat het contact met het werkstuk maakt.** Dit beperkt het risico dat het werkstuk wordt weggeslingerd.

q) **Wanneer het werkstuk of het zaagblad vastlopen, moet de verstekzaag worden uitgeschakeld. Wacht tot alle bewegende delen tot stilstand zijn gekomen en trek de stekker uit het stopcontact en/of verwijder het accupakket. Bevestig vervolgens het vastzittende materiaal.** Doorzagen bij een vastzittend werkstuk kan ertoe leiden dat u de controle verliest over de zaag of dat die beschadigd raakt.

r) **Na afronding van de zaagsnede laat u de schakelaar los, houdt u de zaagkop omlaag en wacht u tot het zaagblad stilstaat, voordat u het afgezaagde stuk verwijderd.** Het is gevaarlijk om met uw handen in de buurt van het uitlopende zaagblad te komen.

s) **Houd de handgreep stevig vast, wanneer u een onvolledige zaagsnede maakt of wanneer u de schakelaar loslaat, voordat de zaagkop helemaal in de onderste positie is gekomen.** De afremming van de zaag kan ertoe leiden dat de zaagkop plotseling naar beneden getrokken wordt en daardoor een risico op letsel oplevert.

Verdere veiligheids- en werkinstructies

Draag persoonlijke beschermende uitrusting. Draag altijd een veiligheidsbril. Het dragen van persoonlijke beschermende uitrusting zoals een stofmasker, slipvastes werkschoenen, een veiligheidshelm of gehoorbescherming, afhankelijk van de aard en het gebruik van het elektrische gereedschap, vermindert het risico van verwondingen.

Draag oorbeschermers. Lawaai kan gehoorverlies veroorzaken. Stof die vrijkomt tijdens het werken vormt vaak een gevaar voor de gezondheid en mag niet met het lichaam in aanraking komen. Machines met stofafzuiging gebruiken en tevens geschikte stofmaskers dragen. Vrijgekomen stof grondig verwijderen resp. opzuigen.

Sluit de zaag aan op een stofzuiger als u hout zaagt.

Voordat u de machine de eerste keer gaat gebruiken, is het raadzaam de gebruiksaanwijzing zorgvuldig te lezen en u zich te verdiepen in de toepassingsmogelijkheden van deze machine.

Waarborg dat de machine altijd veilig staat (bijv. op de werkbank bevestigen).

Houd de vloer vrij van materiaalresten bijv. spaanders en zaagresten.

Gebruik geen zaagbladen die beschadigd of vervormd zijn.

Zaagbladen, waarvan de gegevens niet overeenkomen welke in de gebruiksaanwijzing staan, mogen niet gebruikt worden.

Er mag alleen gereedschap worden gebruikt dat in overeenstemming is met de norm EN 847-1.

Gebruik geen zaagbladen van sneldraaistaal.

Kies een geschikt zaagblad voor het te zagen materiaal.

Het toelaatbare toerental van het inzetgereedschap moet minstens even hoog zijn als het maximale toerental dat op het elektrische gereedschap is aangegeven. Toebehoren dat sneller draait dan toegestaan, kan breken en in het rond vliegen.

De gereedschappen moeten in een geschikte houder vervoerd en bewaard worden;

Gebruik alleen de bijgeleverde en in de gebruiksaanwijzing afgebeelde flens voor de bevestiging van het zaagblad.

Gebruik de kapzaag nooit voor het zagen van andere materialen dan in de gebruiksaanwijzing vermeld staan.

Gebruik de afkortzaagmachine alléén met een correct functionerende en goed onderhouden veiligheidskap. De veiligheidskap moet zelfstandig terugzwenken.

Verwijder geen zaagresten of andere delen van werkstukken uit het zaagbereik wanneer de machine in bedrijf is en de zaagkop niet in de ruststand staat.

Niet aan de draaiende delen komen.

Bescherminrichting van de machine beslist gebruiken.

Defecten aan/storingen van de machine, de veiligheidsinrichting of de zaagbladen dienen – zodra zij geconstateerd worden – bij de voor de veiligheid verantwoordelijke persoon gemeld te worden.

Pendelbeschermkap niet vastklemmen.

Lange werkstukken moeten goed gesteund worden.

Transporteer de kapzaag alleen met geactiveerde transportbeveiliging aan de handgreep.

Stel de verschuifbare geleider af bij het maken van een verstek, afschuining of samengesteld verstek om de juiste vrije spleet voor het zaagblad te garanderen.

Voorkom dat de zaagbladtanden oververhit raken en kunststof bij het snijden begint te smelten door de voortbewegingssnelheid dienovereenkomstig aan te passen.

Het inzetgereedschap heeft scherpe randen en kan tijdens het gebruik heet worden.

WAARSCHUWING! Gevaar voor snij- en brandwonden

-tijdens het gebruik van het inzetgereedschap

- bij het neerleggen van het apparaat

Draag veiligheidshandschoenen bij het hanteren met de inzetgereedschappen.

Zelfs bij correct gebruik van het product kunnen resterende gevaren niet volledig worden uitgesloten. De bediener dient de volgende punten in acht te nemen om eventuele risico's te vermijden:

- De bediener dient geschikte gehoorbescherming te dragen ter vermindering van gehoorschade en de blootstelling aan lawaai zo kort mogelijk te houden.
- De bediener moet een ademhalingsmasker dragen om risico's voor de gezondheid te vermijden die kunnen ontstaan door het inademen van zaagstof.

LASER

Niet in de laserstraal kijken en deze ook niet op andere personen richten.

Niet met optische hulpmiddelen (verrekijker, telescoop) in de laser kijken.

De laser niet op reflecterende vlakken richten.

Niet aan de laserstraal blootstellen. De laser kan sterke straling uitzenden.

Vervang de ingebouwde laser niet door een laser van een ander type. Reparaties mogen alléén worden uitgevoerd door geautoriseerde servicemonteurs.

VOORGESCHREVEN GEBRUIK VAN HET SYSTEEM

De afkortzaagmachine is geschikt voor het zagen van massief hout, gelijmd hout, met hout vergelijkbare materialen en kunststoffen.

Werkstukken met een ronde of onregelmatige doorsnee (bijv. brandhout) mogen niet gezaagd worden, omdat deze bij het zagen niet veilig kunnen worden vastgehouden. Bij het verticaal zagen van platte werkstukken moet een geschikte hulpaanslag worden gebruikt voor een veilige geleiding.

RESTERENDE GEVAREN

Zelfs bij correct gebruik van het product kunnen resterende gevaren niet volledig worden uitgesloten. De bediener dient de volgende punten in acht te nemen om eventuele risico's te vermijden:

- Door vibraties veroorzaakt letsel. Houd de machine vast aan de daarvoor bedoelde grepen en beperk de tijd die u met de machine werkt en waarin u aan de vibraties wordt blootgesteld.
- Lawaai kan leiden tot gehoorschade. Draag een gehoorbescherming en beperk de tijd waarin u aan het lawaai wordt blootgesteld.
- Door vuildeeltjes veroorzaakt oogletsel. Draag altijd een veiligheidsbril, een stevige lange broek en vast schoeisel.
- Inademen van toxische stoffen.

EC - VERKLARING VAN OVEREENSTEMMING

We verklaren geheel onder eigen verantwoordelijkheid dat het product in de “Technische data” voldoet aan alle relevante bepalingen van de richtlijnen

2011/65/EU, (EU) 2015/863 (RoHS)
2006/42/EC
2014/30/EU

en de volgende geharmoniseerde normen zijn gebruikt

EN 62841-1:2015+A11:2022
EN IEC 62841-3-9:2020+A11:2020
EN IEC 55014-1:2021
EN IEC 55014-2:2021
EN IEC 63000:2018

 Winnenden, 2022-12-12



Alexander Krug / Managing Director
Gemachtigd voor samenstelling van de technische documenten
Techtronic Industries GmbH
Max-Eyth-Straße 10, 71364 Winnenden, Germany

AKKU

Langere tijd niet toegepaste wisselakku's vóór gebruik altijd naladen. Een temperatuur boven de 50°C vermindert de capaciteit van de accu. Langdurige verwarming door zon of hitte vermijden.

De aansluitcontacten aan het laadapparaat en de accu schoonhouden.

Voor een optimale levensduur moeten de accu's na het gebruik volledig opgeladen worden.

Voor een zo lang mogelijke levensduur van de accu's dienen deze na het opladen uit het laadtoestel te worden verwijderd.

Bij een langere opslag van de accu dan 30 dagen: Bewaar het accupack op een droge plek waar de temperatuur onder 27°C is accu bij ca. 30% - 50% van de laadtoestand bewaren.

TRANSPORT VAN LITHIUM-IONEN-ACCU'S

Transport van lithium-ionen-accu's

Voor het transport van deze accu's moeten de lokale, nationale en internationale voorschriften en bepalingen in acht worden genomen.

Verbruikers mogen deze accu's zonder meer over de weg transporteren. Het commerciële transport van lithium-ionen-accu's door expeditiebedrijven is onderhevig aan de bepalingen inzake het transport van gevaarlijke goederen. De verzendingsvoorbereidingen en het transport mogen uitsluitend worden uitgevoerd door dienovereenkomstig opgeleide personen. Het complete proces moet vakkundig worden begeleid.

Onderstaande punten moeten bij het transport van accu's in acht worden genomen:

Waarborg ter vermindering van kortsluitingen dat de contacten beschermd en geïsoleerd zijn. Let op dat het accupack in de verpakking niet kan verschuiven. Beschadigde of lekkende accu's mogen niet worden getransporteerd. Neem voor meer informatie contact op met uw expeditiebedrijf.

OVERBELASTINGSBEVEILIGING VAN DE ACCU

Bij overbelasting van de accu door een zeer hoog stroomverbruik, bijv. extreem hoge draaimomenten, klemmen van het gereedschap, plotselinge stilstand of kortsluiting, stopt het elektrische gereedschap gedurende 2 seconden en schakelt dan automatisch uit. Om de accu te resetten, verwijderd u deze uit het apparaat en vervangt u deze. Onder extreme belastingen wordt de accu te heet. In dit geval knippen alle lampen van de laadweergave totdat de accu afgekoeld is. Na het doven van de laadweergave kunt u weer verder werken. Steek de accu in het laadtoestel om hem weer op te laden en te activeren.

ONDERHOUD

Voor alle werkzaamheden aan de apparat de accu verwijderen.

Zorg ervoor dat het werktuig van de stroomvoorziening wordt ontkoppeld voor u het zaagblad vastmaakt of verwijderd.

Vervang een versleten tafelement.

Reinig het apparaat en de veiligheidsinrichting met een droge doek.


Altijd de luchtspleten van de machine schoonhouden.


Gebruik uitsluitend Milwaukee toebehoren en onderdelen. Indien componenten die moeten worden vervangen niet zijn beschreven, neem dan contact op met een officieel Milwaukee servicecentrum (zie onze lijst met servicecentra).


Onder vermelding van het nummer op het machineplaatje is desgewenst een doorsnedetekening van de machine verkrijgbaar bij: Techtronic Industries GmbH, Max-Eyth-Strasse 10, 71364 Winnenden, Germany.


SYMBOLEN

 OPGELET! WAARSCHUWING! GEVAAR!

 Voor alle werkzaamheden aan de apparat de accu verwijderen.


 Graag instructies zorgvuldig doorlezen vóórdat u de machine in gebruik neemt.

 Bij het werken met de machine altijd een veiligheidsbril dragen.

 Draag oorbeschermers!

 Draag veiligheidshandschoenen!

 Houd de handen altijd buiten het bereik van het zaagblad.

 Stel de machine niet bloot aan regen.



Dit product bevat een klasse 2 laserproduct voor consumenten volgens

EN 60825-1:2014+A11:2021 en EN 50689:2021.

Niet in de laserstraal kijken



Afgedankte batterijen en afgedankte elektrische en elektronische apparatuur mogen niet samen via het huisafval worden afgevoerd. Afgedankte batterijen en afgedankte elektrische en elektronische apparatuur moeten gescheiden ingezameld en afgevoerd worden. Verwijder afgedankte batterijen, afgedankte accu's en verlichtingsmiddelen uit de apparatuur voordat u deze afvoert. Informeer bij uw gemeente of bij uw vakhandelaar naar recyclingbedrijven en inzamelpunten. Al naargelang de lokaal van toepassing zijnde voorschriften kunnen detailhandelaren verplicht zijn om afgedankte batterijen, afgedankte elektrische en elektronische apparatuur kosteloos terug te nemen. Geef uw afgedankte batterijen, afgedankte elektrische en elektronische apparatuur af voor recycling en help zo mee om de behoefte aan grondstoffen te verminderen. Afgedankte batterijen (vooral lithium-ion-batterijen), afgedankte elektrische en elektronische apparatuur bevatten waardevolle, recyclebare materialen die, mits ze niet milieuvriendelijk worden afgevoerd, negatieve gevolgen kunnen hebben voor het milieu en uw gezondheid. Verwijder persoonlijke gegevens van uw afgedankte apparatuur voordat u deze afvoert.

V Spanning

 Gelijkstroom

n₀ Onbelast toerental

 Zaagblad ø x boring ø

 Europees symbool van overeenstemming

 Brits symbool van overeenstemming

 Oekraïens symbool van overeenstemming

 Euro-Aziatisch symbool van overeenstemming

Teknische data Kap-/geringszav	M18 SMS216
Produktionsnummer	4745 85 04... ... 000001-999999
Omdreijningstal, ubelastet	2700 min ⁻¹
Udskiiftningsbatteriets spænding	18V ---
Savklinge-ø x hul-ø	216 x 30 mm
Klingetykkelse	1,5 mm
Skærebredde maks. gering 0°/ hældning 0° gering 45°/ hældning 0° gering 0°/ hældning 45° gering 45°/ hældning 45°	60 x 270 mm 60 x 190 mm 48 x 270 mm 48 x 190 mm
Min. mål på arbejdsemner	130 x 35 x 2 mm
Anbefalet omgivelsestemperatur til driften	-5°C - +40°C
Anbefalede batteripakker	M18B..., M18HB...
Anbefalede opladere	M12-18..., M1418 C6
Vægt svarer til EPTA-procedure 01/2014	14,5 kg
Laserstrålen i denne sav er Klasse II med maksimalt P≤1mW og λ: 620 ~ 660 nm bølglængder.	
Støjinformation Måleværdier beregnes iht. EN 62841. Værktøjets A-vurderede støjniveau er typisk: Lydtrykniveau (Usikkerhed K=3dB(A)) Lydeffekt niveau (Usikkerhed K=3dB(A)) Brug høreværn!	91,8 dB (A) 105 dB (A)

ADVARSEL

Det i denne brochure oplyste støjemissionsniveau er blevet målt iht. den standardiserede testmetode jf. den europæiske standard EN 62841 og kan bruges til at sammenligne værktøjer med hinanden. Niveauet kan også bruges til en midlertidig vurdering af støjbelastningen. Det oplyste støjemissionsniveau repræsenterer værktøjets primære anvendelse. Vær dog opmærksom på, at hvis værktøjet bruges til andre anvendelser eller med forskelligt tilbehør, eller hvis det ikke er tilstrækkeligt vedligeholdt, kan støjemissionsniveauet afvige. Dette kan medføre en betydelig forøgelse af støjbelastningen hen over den samlede arbejdsperiode.

Til en præcis vurdering af støjbelastningen bør man også medtage det tidsrum, hvor værktøjet er frakoblet eller stadig kører, men ikke er i drift. Dette kan medføre en betydelig reduktion af støjbelastningen hen over den samlede arbejdsperiode.

Til brugerens beskyttelse mod udsættelse for støj skal der fastlægges yderligere sikkerhedsforanstaltninger, f.eks.: Vedligeholdelse af værktøjet og dets tilbehør samt tilrettelæggelse af arbejds gange. Bær høreværn. Støjen kan føre til nedsat hørelse.

 **ADVARSEL** Læs alle sikkerhedsanvisninger, anvisninger, instruktioner og data, der følger med enheden. Overholder du ikke følgende instruktioner, kan du få elektrisk stød, der kan opstå brand og/eller du kan blive kvæstet alvorligt. Opbevar alle advarselshenvisninger og instrukser til senere brug.

SIKKERHEDSANVISNINGER FOR GERINGSZAV

a) **Geringszav er beregnet til at skære i træ- eller trælig-nende produkter. De må ikke benyttes med skæreskiver til skæring i jernholdige materialer, såsom stænger, stave, stolper osv.** Støv fra slibepulver kan få bevægelige dele, såsom den nederste afskærmning, til at blokere. Gnister fra slibende skæring vil brænde den nederste afskærmning, savsnitindsatsen og andre plastikdele.

b) **Brug skruetvinger til at støtte arbejdsemnet, når det er muligt. Hvis du støtter arbejdsemnet med hånden, skal du altid holde din hånd mindst 100 mm fra begge sider af savklingen. Brug ikke denne sav til at skære stykker, der er for små til at blive forsvarligt fastspændt eller holdt i hånden.** Hvis din hånd placeres for tæt på savklingen, er der et øget risiko for skader fra berøring af klingen.

c) **Arbejdsemnet skal være faststående og fastgjort eller holdt imod både værnet og bordet. Indfør ikke arbejdsemnet til klingen, og skær ikke med "fri hånd" på nogen som helst måde.** Ikke fastspændte eller bevægelige arbejdsemner kan blive kastet ud med stor hastighed, hvilket kan forvolde skader.

d) **Skub saven igennem arbejdsemnet. Hæv savhoved, når der skal laves en skæring, og træk det over arbejdsemnet uden at skære. Start motoren, tryk savhovedet ned, og skub saven igennem arbejdsemnet.** Hvis der skæres ved at trække saven, kan det medføre, at savklingen klatrer oven på arbejdsemnet og kaster klingesamlingen ud mod operatøren med stor voldsomhed.

e) **Kryds aldrig din hånd over den tilsigtede skæringslinje, hverken foran eller bag på savklingen.** Det er meget farligt at støtte arbejdsemnet med "krydsede hænder", dvs. holde arbejdsemnet på højre side af savklingen med venstre hånd eller vice versa.

f) **Hvis der skal rækkes ind bag værnet med nogen af hænderne for at fjerne træstumper eller af nogen anden grund, mens klingen drejer rundt, skal der være mindst 100 mm's afstand på begge sider af savklingen.** Den drejende savklinge i nærheden af din hånd ses måske ikke tydeligt, og du kan komme alvorligt til skade.

g) **Kontrollér dit arbejdsemne inden skæring. Hvis arbejdsemnet er bøjet eller skævt, skal det fastgøres med den udvendige side mod værnet. Vær altid sikker på, at der ikke er noget mellemrum mellem arbejdsemnet, værnet og bordet langs skæringslinjen.** Bøjede eller skæve arbejdsemner kan dreje eller forskyde sig og kan medføre binding til den drejende savklinge under skæring. Der må ikke være nogen søm eller fremmedlegemer i arbejdsemnet.

h) **Brug ikke saven, før bordet er ryddet for alle værktøjer, træstumper osv. undtagen arbejdsemnet.** Små rester eller løse stykker træ eller andre genstande, der berører den drejende klinge, kan blive kastet ud med stor hastighed.

i) **Skær kun et arbejdsemne ad gangen.** Flere stablede arbejdsemner kan ikke fastgøres eller støttes ordentligt og kan binde på klingen eller forskyde sig under skæring.

j) **Sørg for, at geringsssaven er monteret eller anbragt på en plan, fast arbejdsflade inden brug.** En plan og fast arbejdsflade reducerer risikoen, for at geringsssaven bliver ustabil.

k) **Planlæg dit arbejde. Hver gang du ændrer indstillingen af slibe- eller geringsvinklen, skal du sørge for, at det justerbare værn er indstillet korrekt til at støtte arbejdsemnet og ikke vil forstyrre med klingen og afskærmningssystemet.** Bevæg savklingen igennem en komplet, simuleret skæring uden at tænde for værktøjet og uden nogen arbejdsemner på bordet, for at sikre, at der ikke er nogen forstyrrelse eller fare for at skære værnet.

l) **Sørg for passende støtte som bordforlængere, savbukke osv., hvis et arbejdsemne er bredere eller længere end bordpladen.** Arbejdsemner, der er længere eller bredere end geringsssaven, kan vælte, hvis de ikke er forsvarligt understøttet. Hvis det afskårne stykke eller arbejdsemnets vælter, kan det løfte den nederste afskærmning eller blive kastet ud af den drejende klinge.

m) **Brug ikke en anden person som erstatning for en bordforlænger eller som ekstra støtte.** Ustabil understøttelse af arbejdsemnet kan medføre, at klingen binder, eller at arbejdsemnet forskyder sig under skæringen, og derved trækker dig og hjælperen ind til den drejende klinge.

n) **Det afskårne stykke må på ingen måde blive blokeret eller presset mod den drejende savklinge.** Hvis det afskårne stykke begrænses, dvs. ved brug af længdestop, kan det blive klemt ind mod klingen og kastet ud med voldsomhed.

o) **Brug altid en skruetvinge eller et opsåningsværktøj beregnet til korrekt understøttelse af runde materialer, såsom stænger eller rør.** Stænger har en tendens til at rulle, mens de skæres, hvilket får klingen til at "bide" og trække arbejdsemnet med din hånd ind i klingen.

p) **Lad klingen nå fuld hastighed, inden den rører ved arbejdsemnet.** Dette vil nedbringe risikoen, for at arbejdsemnet bliver kastet ud.

q) **Sluk for geringsssaven, hvis arbejdsemnet eller klingen bliver blokeret. Vent til alle bevægende dele stopper, og frakobl stikket fra strømforsyningen, og/eller tag batteripakken ud. Arbejd dernæst på at løse det blokerede arbejdsemne.** Fortsat savning med et blokeret arbejdsemne kan føre til tab af kontrol over eller skade på geringsssaven.

r) **Frigør afbryderen, når skæringen er færdig. Hold savhovedet nedad, og vent til klingen standser, inden det afskårne stykke fjernes.** Det er farligt at række din hånd ind i nærheden af den frit kørende klinge.

s) **Hold godt fast om håndtaget, når der laves en ukomplet skæring, eller når afbryderen frigøres, inden savhovedet er helt i nede-position.** Sagens bremsning kan gøre, at savhovedet pludseligt bliver trukket nedad, hvilket skaber risiko for skader.

Yderligere sikkerheds- og arbejdsinformationer

Brug beskyttelsesudstyr og hav altid beskyttelsesbriller på. Brug af sikkerhedsudstyr som f.eks. støvmaske, skridsikert fodtøj, beskyttelseshjelm eller høreværn afhængig af maskintype og anvendelse nedsætter risikoen for personskader.

Bær høreværn. Støjen kan føre til nedsat hørelse.

Støv, som opstår i forbindelse med fræsearbejdet, er ofte sundhedsskadeligt og må ikke trænge ind i kroppen. Brug en støvsuger og bær egnet støvbeskyttelsesmaske. Fjern grundigt aflejret støv (f.eks. ved opugning).

Tilslut saven til en støvsuger ved savning af træ.

Det anbefales at læse brugsanvisningen grundigt igennem, før maskinen tages i brug første gang, og lade sig instruere i den praktiske håndtering.

Sørg for, at maskinen altid står stabilt (fastgør den f.eks. på arbejdsbænken).

Hold bunden fri for materialerester f.eks. spåner og rester fra savningen.

Benyt ikke savblade, der er beskadiget eller deformet.

Savklinger, som ikke svarer til data i denne brugsanvisning, må ikke anvendes.

Der må kun anvendes værktøj, som opfylder EN 847-1.

Brug ikke savklinger, som er fremstillet af high-speed stål.

Vælg en savklinge, som passer til det emne, der skal skæres over.

Den tilladte hastighed for indsatsværktøjet skal mindst være så høj som den maksimale hastighed, der er angivet på elektroværktøjet. Tilbehør, der drejer hurtigere end tilladt, kan brække og de enkelte dele flyve fra hinanden.

Værktøjerne skal opbevares og transporteres i dertil egnede beholdere;

Brug den medfølgende flange (afbildet i betjeningsvejledningen) til at fastgøre savklingen med.

Anvend ikke kapsaven til overskæring af emner, som ikke står nævnt i betjeningsvejledningen.

Benyt kun kapsaven med en sikkert fungerende og godt vedligeholdt sikkerhedsskærm. Sikkerhedsskærmen skal dreje automatisk tilbage.

Fjern ikke træaffald eller andre dele af arbejdsemner fra saveområdet, når maskinen kører og savhovedet ikke er i hvilestilling.

Pas på ikke at få hånden ind i maskinen.

Maskinens sikkerhedsindretning bør ubetinget benyttes.

Føj i maskinen, inklusiv beskyttelsesanordning eller savklinger, skal straks meddeles den sikkerhedsansvarlige.

Den mobile beskyttelsesskærm må ikke blokeres i åbnet tilstand.

Lange emner skal støttes af på passende måde.

Tag fat i håndtaget, når du transporterer kapsaven - transportsikringen skal være i indgreb.

Når der udføres koniske skæringer, skæringer i gering eller i blandet gering, tilpas glidehegnet for at sikre den korrekte afstand til bladet.

Undgå ved en tilpasset fremføringshastighed en overopvarmning af savklings tænder og ved skæring i plast, at materialet smelter.

Indføringsværktøjet har skarpe kanter og kan blive varmt under brug.

ADVARSEL! Risiko for snitsår og forbrændinger

- ved håndtering af indføringsværktøj

- når man lægger maskinen fra sig

Brug beskyttelseshandsker ved håndtering af indføringsværktøj.

Selv hvis produktet bruges korrekt, kan restresici ikke helt udelukkes. Ved brug kan følgende risici opstå, og derfor bør brugeren lægge mærke til det følgende:

- For at undgå høreskader skal eksponeringstiden begrænses, og der skal bruges egnet høreværn.
- Der skal bruges en støvmaske for at undgå helbredrisici, der kan opstå ved indånding af savstøv.

LASER

Kig ikke ind i laserstrålen, og ret den ikke mod andre personer.

Kig ikke ind i laseren gennem optiske instrumenter (kikkert, teleskop).

Ret ikke laseren mod reflekterende overflader.

Undgå lasereksposering. Laseren kan udsende en meget kraftig stråling.

Erstat ikke den indbyggede laser med en laser af en anden type. Reparationer må kun udføres af autoriserede serviceteknikere.

TILTÆNKT FORMÅL

Kapsaven kan anvendes til savning af massivt træ, limet træ, træliggende materialer og plastrmaterialer.

Arbejdsemner med rundt eller uregelmæssigt tværsnit (f.eks. brænde) må ikke saves, da sådanne emner ikke kan holdes sikkert under savningen. Ved savning på højkant af flade arbejdsemner skal der benyttes et egnet hjælpeanslag for sikker føring.

RESTRISICI

Selv hvis produktet bruges korrekt, kan restresici ikke helt udelukkes. Ved brug kan følgende risici opstå, og derfor bør brugeren lægge mærke til det følgende:

- Kvæstelser, som forårsages af vibration. Hold maskinen fast i de dertil beregnede greb og begræns arbejds- og ekspositionstiden.
- Støjbelastning kan medføre høreskader. Brug høreværn og begræns ekspositionstiden.
- Øjenskader på grund af snavspartikler. Brug altid beskyttelsesbriller, lange bukser og solidt fodtøj.
- Indånding af giftigt støv.

CE-KONFORMITÆTSEKTLÆRING

Vi erklærer som eneansvarlige, at produktet, som beskrives under "Tekniske data", opfylder alle de relevante bestemmelser i direktiverne 2011/65/EU, (EU) 2015/863 (RoHS) 2006/42/EC 2014/30/EU

og følgende harmoniserede standarder er blevet anvendt

EN 62841-1:2015+A11:2022
EN IEC 62841-3-9:2020+A11:2020
EN IEC 55014-1:2021
EN IEC 55014-2:2021
EN IEC 63000:2018



Winnenden, 2022-12-12

Alexander Krug / Managing Director
Autoriseret til at udarbejde de tekniske dokumenter.

Techtronic Industries GmbH
Max-Eyth-Straße 10, 71364 Winnenden, Germany

BATTERI

Udskiftningsbatterier, der ikke har været brugt i længere tid, efterlades inden brug. Ved temperaturer over 50°C formindskes batteriets effekt. Undgå direkte sollys og stærk varme.

Tilslutningskontakterne på oplader og udskiftningsbatterier skal holdes rene.

For at opnå en optimal levetid skal de genopladelige batterier oplades fuldt efter brug.

For at sikre en så lang levetid som muligt skal batterierne tages ud af ladeaggregatet efter opladning.

Skal batterierne opbevares længere end 30 dage: Opbevar batteripakken på et sted, hvor temperaturen er under 27°C, og ikke i nærheden af fugt. Opbevares ved ca. 30%-50% af ladetilstanden.

TRANSPORT AF LITHIUM-BATTERIER

Transport af lithium-batterier

Transporten af disse batterier skal ske under overholdelse af lokale, nationale og internationale regler og bestemmelser.

Forbrugere må transportere disse batterier på veje uden yderligere krav.

Den kommercielle transport af lithium-batterier ved speditjonsfirmaer er omfattet af reglerne for transport af farligt gods. Forberedelsen af forsendelse og transport må kun udføres af tilsvarende trænedte personer. Den samlede proces skal følges af fagfolk.

Følgende punkter skal overholdes ved transport af batterier:

Sørg for at kontakterne er beskyttet og isoleret for at forhindre kortslutninger. Sørg for at batteripakken ikke kan bevæge sig inden for emballagen. Beskadigede eller lækende batterier må ikke transporteres. Kontakt dit speditjonsfirma for at få yderligere oplysninger.

OVERBELASTNINGSSIKRING FOR BATTERI

Ved overbelastning af akkumulatoren på grund af et meget højt strømforbrug, f.eks. ekstremt høje drejningsmomenter, klemning af det indsatte værktøj, pludseligt stop eller kortslutning, stopper el-værktøjet i 2 sekunder og slukker automatisk. For at nulstille, skal batteripakken fjernes fra værktøjet og udskiftes. Ved ekstreme belastninger bliver batteriet for varmt. I så fald blinker alle lamper på ladeindikatoren, indtil batteriet er kølet af. Når ladeindikatoren går ud, kan arbejdet genoptages. Sæt batteriet i ladeadapteren for at genoplade det og aktivere det.

VEDLIGEHOLDELSE

Ved arbejde inden i maskinen, bør batteriet tages ud.

Husk at afbryde værktøjet fra strømforsyningen inden montering eller udtagning af savklingen.

Udskift en slidt bordindsats.

Rengør maskinen og beskyttelsesudstyret med en tør klud.

Hold altid maskinens ventilationsåbninger rene.

Brug kun Milwaukee-tilbehør og Milwaukee-reservedele. Komponenter, hvor udskiftningsproceduren ikke er beskrevet, skal skiftes ud hos et Milwaukee-servicecenter (se brochure garanti/kundeserviceadresser).

Ved opgivelse af type nr. der er angivet på maskinens effektskilt, kan de rekvirere en reservedelstegning, ved henvendelse til: Techtronic Industries GmbH, Max-Eyth-Straße 10, 71364 Winnenden, Germany.

SYMBOLER



VIGTIGT! ADVARSEL! FARE!



Ved arbejde inden i maskinen, bør batteriet tages ud.



Læs brugsanvisningen nøje før ibrugtagning.



Når der arbejdes med maskinen, skal man have beskyttelsesbriller på.



Brug høreværn!



Brug beskyttelseshandsker!



Hold altid hænderne væk fra savbladets område.



Udsæt ikke maskinen for regn.



Dette produkt indeholder et klasse 2 forbrugerlaserprodukt iflg

EN 60825-1:2014+A11:2021 og EN 50689:2021.

Kig ikke ind i laserstrålen



Udtjente batterier, affald af elektrisk og elektronisk udstyr må ikke bortskaffes sammen med husaffald. Udtjente batterier, affald af elektrisk og elektronisk udstyr skal indsamles og bortskaffes særskilt. Fjern udtjente batterier, udtjente akkumulatore og lysmidler fra udstyret, inden det bortskaffes. Spørg efter genbrugsstationer og indsamlingssteder hos de lokale myndigheder eller din fagforhandler. Alt efter de lokale bestemmelser kan detailhandlende være forpligtede til gratis at tage brugte batterier, affald af elektrisk og elektronisk udstyr tilbage. Bidrag til at nedbringe behovet for råmaterialer ved at genbruge og genanvende dine udtjente batterier, affald af elektrisk og elektronisk udstyr. Udtjente batterier (især lithium-ion-batterier), affald af elektrisk og elektronisk udstyr indeholder værdifulde, genanvendelige materialer, som kan have en negativ effekt på miljøet og dit helbred ved ikke miljørigtig bortskaffelse. Slet inden bortskaffelsen personrelaterede data, som måtte befinde sig på dit affald af udstyret.



Spænding



Jævnstrøm



Omdrejningstal, ubelastet



Savklinge- \emptyset x hul- \emptyset



Europæisk konformitetsmærke



Britisk konformitetsmærke



Ukrainsk konformitetsmærke



Eurasisk konformitetsmærke

Tekniske data Kapp-/gjæringsag	M18 SMS216
Produktionsnummer	4745 85 04... ... 000001-999999
Tomgangsturtall	2700 min ⁻¹
Spenning vekselbatteri	18V ---
Sagblad- \emptyset x hull- \emptyset	216 x 30 mm
sagebladykkelse	1,5 mm
Skjærebredde maks. Gjæring 0°/ Skråstilling 0° Gjæring 45°/ Skråstilling 0° Gjæring 0°/ Skråstilling 45° Gjæring 45°/ Skråstilling 45°	60 x 270 mm 60 x 190 mm 48 x 270 mm 48 x 190 mm
Min. verktøymå	130 x 35 x 2 mm
Anbefalt omgivelsestemperatur for drift	-5°C - +40°C
Anbefalte batteripakker	M18B..., M18HB...
Anbefalte ladere	M12-18..., M1418 C6
Vekt i henhold til EPTA-Prosedyren 01/2014	14,5 kg
Laserstråling som brukes i denne sagen er klasse II med maksimum $P \leq 1\text{mW}$ og λ : 620 ~ 660 nm bølgelengder.	
Støyinformasjon Måleverdier fastslått i samsvar med EN 62841. Det typiske A-bedømte støynivået for maskinen er: Lydtryknivå (Usikkerhet $K=3\text{dB(A)}$) Lydeffektnivå (Usikkerhet $K=3\text{dB(A)}$)	91,8 dB (A) 105 dB (A)
Bruk hørselsvern!	

ADVARSEL

Støyemisjonsverdien som er angitt i denne veiledningen har blitt målt i samsvar med en testprosess som er standardisert i EN 62841 og kan brukes til å sammenligne verktøy med hverandre. Den egner seg også til en foreløpig vurdering av belastningen. Den angitte støyemisjonsverdien gjelder for verktøys vanligste bruksområder. Dersom imidlertid verktøyet skal brukes til andre applikasjoner eller med avvikende tilbehør eller vedlikeholdet er mangelfullt, kan støyemisjonsverdien avvike. Dette kan øke belastningen i vesentlig grad over hele arbeidets tidsrom. For å kunne vurdere støybelastningen nøyaktig, bør også tidene tas med i beregningen der verktøyet er slått av eller vel er slått på, men ikke virkelig er i bruk. Dette kan redusere belastningen i vesentlig grad over hele arbeidets tidsrom.

Fastlegg ekstra sikkerhetstiltak til beskyttelse av operatøren mot virkningene av støy, eksempelvis: Vedlikehold av verktøyet og tilbehør samt organisasjonen av arbeidsrutinene. Bruk hørselsvern. Støy kan føre til tap av hørselen.



ADVARSEL Les alle sikkerhetsanvisninger, instruksjoner, bildeforklaringer og data som fulgte med maskinen. Hvis du ikke følger følgende anvisninger, kan det oppstå elektriske støt, ild og/eller store skader.

Ta godt vare på alle advarslene og informasjonene.



SIKKERHETSREGLER FOR GJÆRINGSSAGER

- Gjæringsager skal brukes til å skjære tre eller trelignende produkter, og kan ikke brukes med slipende kutteskiver for å skjære jernholdig materiale som f.eks. staver, stenger, bolter osv.** Slipestøv får bevegelige deler så som det nedre vernet til å kjøre seg fast. Gnister fra slipeskjæring vil brenne det nedre vernet, breddeinnsatsen og andre plastdeler.
- Bruk klemmer for å støtte arbeidsstykket når det er mulig. Hvis du støtter arbeidsstykket med hånden, må du alltid holde hånden minst 100 mm fra begge sider av sagbladet. Ikke bruk denne sagen til å kutte stykker som er for små til å klemmes fast eller holdes med hånden.** Hvis du plasserer hånden din for nær sagbladet, øker faren for at du kommer i kontakt med bladet og skader deg.
- Arbeidsstykket må være i ro og festet eller holdt mot både gjerdet og bordet. Ikke mat arbeidsstykket inn i bladet eller skjær "med fri hånd" på noen måte.** Uhemmede eller bevegelige arbeidsstykker kan bli kastet i høye hastigheter, og forårsake skade.
- Skyv sagen gjennom arbeidsstykket. Ikke dra sagen gjennom arbeidsstykket. For å gjøre et kutt, hev sageshodet og trekk det ut over arbeidsstykket uten å skjære, start motoren, trykk sageshodet ned og skyv sagen gjennom arbeidsstykket.** Saging med draslaget vil sannsynligvis få sagbladet til å gå på toppen av arbeidsstykket og kaste bladenheten hardt mot brukeren.

e) **Aldri kryss hånden din over den tiltenkte skjærelinjen, verken foran eller bak sagbladet.** Å støtte arbeidsstykket "på tvers", dvs. å holde arbeidsstykket til høyre for sagbladet med venstre hånd eller vice versa er svært farlig.

f) **Ikke nå bak gjerdet med begge hender nærmere enn 200 mm fra hver side av sagbladet for å fjerne trerester, eller av andre grunner mens bladet roterer.** Du er kanskje ikke klar over hvor nært det roterende sagbladet er hånden din, og at du kan bli alvorlig skadet.

g) **Inspiser arbeidsstykket før du skjærer. Hvis arbeidsstykket er bøyd eller skjevt, fest det med den utvendige bøyde flaten mot gjerdet. Vær alltid sikker på at det ikke er noen avstand mellom arbeidsstykket, gjerdet og bordet langs skjærelinjen.** Bøyde eller skjeve arbeidsstykker kan vris eller forskyves og kan binde det roterende sagbladet mens det skjærer. Det skal ikke være spiker eller fremmedlegemer i arbeidsstykket.

h) **Ikke bruk sagen før alle verktøy, trerester osv. er fjernet fra bordet, bortsett fra arbeidsstykket.** Smårusk eller løse trebiter eller andre gjenstander som kommer i kontakt med det roterende bladet kan bli kastet i høy hastighet.

i) **Skjær bare ett arbeidsstykke om gangen.** Flere stablede arbeidsstykker kan ikke festes eller avstives tilstrekkelig og kan binde seg fast i bladet eller forskyve seg under skjæring.

j) **Sørg for at gjæringssagen er montert eller plassert på et plant, fast underlag før bruk.** Et plant og fast underlag reduserer risikoen for at gjæringssagen blir ustabil.

k) **Planlegg arbeidet. Hver gang du endrer skråsnitts- eller gjæringsvinkelinnstillingen, sørg for at det justerbare gjerdet er innstilt riktig for å støtte arbeidsstykket og ikke forstyrrer med bladet eller vernesystemet.** Uten å skru verktøyet "PÅ" og uten arbeidsstykke på bordet, beveg sagbladet gjennom en fullstendig simulert skjæring for å sørge for at det ikke blir noen forstyrrelser eller fare for å skjære gjerdet.

l) **Sørg for tilstrekkelig støtte så som bordutvidelser, saghester osv. for et arbeidsstykke som er bredere eller lengre enn bordplaten.** Arbeidsstykker som er lengre eller bredere enn bordet gjæringssagen står på kan velte om de ikke er godt festet. Dersom det avskårede stykket eller arbeidsstykket velter, kan det løfte det nedre vernet eller kastes av det roterende bladet.

m) **Ikke bruk en annen person som en erstatning for en bordforlengelse eller som ekstra støtte.** Hvis arbeidsstykket er ustabil støttet kan det få bladet til å binde seg eller arbeidsstykket til å forskyves under skjæringen, og trekke deg og hjelperen inn i det roterende bladet.

n) **Det avskårede stykket må ikke kjøre seg fast eller presses på noen måte mot det roterende sagbladet.** Hvis begrenset, dvs. ved hjelp av lengdestopper, kan det avskårede stykket kiles mot bladet og kastes i voldsom fart.

o) **Bruk alltid en klemme eller et innslag laget for å støtte runde materialer godt, så som stenger eller rør.** Stenger har en tendens til å rulle når de skjæres, slik at bladet "biter" og trekker arbeidet med hånden din inn i bladet.

p) **La bladet oppnå full hastighet før det kommer i kontakt med arbeidsstykket.** Dette vil redusere risikoen for at arbeidsstykket blir kastet.

q) **Hvis arbeidsstykket eller bladet kjører seg fast, skru av gjæringssagen. Vent til de bevegelige delene slutter å bevege seg, og trekk ut pluggen fra strømkilden og/eller ta ut batteripakken. Fjern deretter det fastkjørte materialet.** Å sage med et fastkjørt arbeidsstykke kan føre til lavere kontroll eller skade på gjæringssagen.

r) **Etter å ha avsluttet skjæringen, slipp bryteren, hold sagedhodet ned og vent på at bladet stopper før du fjerner det avskårede stykket.** Det er farlig å ta hånden nær det saktegående bladet.

s) **Hold i håndtaket når du foretar en ufullstendig skjæring eller når du slipper bryteren før sagedhodet er helt i den nedre posisjonen.** Å bremse sageeffekten kan få sagedhodet til plutselig å trekkes nedover, og forårsake risiko for skade.

Ytterlige sikkerhets- og arbeidsinstruksjoner

Bruk personlig verneutstyr og husk alltid å bruke vernebriller. Bruk av personlig sikkerhetsutstyr som støvmaske, sklifaste arbeidssko, hjelm eller hørselsvern – avhengig av type og bruk av elektroverktøyet – reduserer risikoen for skader.

Bruk hørselsvern. Støy kan føre til tap av hørselen.

Støv som oppstår under arbeidet er ofte helsefarlig og bør ikke komme inn i kroppen. Bruk støvavsug og i tillegg egnede støvbeskyttelsesmaske. Fjern oppsamlet støv grundig, f.eks. oppsuging.

Koble sagen til en støvsuger når det sages i tre.

Det anbefales å lese bruksanvisningen omhyggelig og bli instruert i den praktiske håndteringen for apparatet tas i bruk første gang.

Kontroller at maskinen alltid står stabilt (f. eks. at den er festet på arbeidsbenken).

Gulver skal være fritt for spon og sagerester.

Bruk ingen sageblad som er skadet eller deformert

Ikke bruk sagblad som ikke er i tråd med egenskapene i denne bruksanvisningen.

Bruk bare verktøy som er i samsvar med EN 847-1.

Bruk ingen sageblad laget av hurtigstål.

Bruk sagblad som er egnet for materialet som skal sages.

Det tillatte omdreiningstallet til elektroverktøyet må være minst så høyt som det maksimale omdreiningstallet som er oppgitt på elektroverktøyet. Tilbehør som dreier seg raskere enn tillatt kan brette og slynges rundt.

Verktøyene må oppbevares og transporteres i egnet beholder;

Bruk bare de vedlagte flensene og de flensene som det er bilde av i bruksanvisningen for å feste sagebladet.

Bruk kappsagen aldri for saging av andre materialer enn de som er oppgitt i bruksanvisningen.

Bruk kappsagen bare med sikker funksjonerende og godt vedlikeholdt beskyttelseshette. Beskyttelseshetten skal automatisk trekke seg tilbake.

Ikke fjern sagerester eller andre deler av arbeidsstykker fra sagens område mens maskinen går og sagedhode ikke befinner seg i hvilestilling.

Ikke grip inn i fareområdet mens maskinen er i gang.

Bruk alltid maskinens beskyttelsesinnretninger.

Feil i maskinen, også innebefattet verneinnretningen eller sagebladene, skal med en gang de oppdages, meldes til personen som er ansvarlig for sikkerheten.

Det bevegelige vernedekselet må ikke klemmes fast i åpent tilstand. Langt materiale skal støttet på egnet måte.

Transporter kappsagen bare når transportsikringen på håndtaket griper riktig inn i sikringen.

Når du kutter med gjær-, kapp- eller kombisag, juster sleidesikringen for å sikre riktig avstand til bladet.

Unngå, ved bruk av en tilpasset starthastighet, overoppheting av sagbladets tenner og ved kutting av plastikk at materialet smelter. Tilbehøret har skarpe kanter og kan bli varmt under bruken.

ADVARSEL! Fare for kutt og forbrønninger

- ved håndtering av tilbehøret

- når apparatet legges ned

Bruk vernehansker ved håndteringen av tilbehøret.

Selv ved sakkyndig bruk av produktet kan restfarer ikke helt utelukkes. Ved bruk kan følgende risikoer oppstå og derfor må bruker ta hensyn til følgende:

- For å unngå hørselsskader må eksplosjonstiden innskrenkes og det skal brukes egnet hørselsvern.
- Det skal brukes åndedrettsvern for å unngå sunnheitsrisikoer som kan oppstå ved å puste inn sagstøv.

LASER

Se ikke inn i laserstrålen og rett den ikke mot andre personer.

Se ikke inn i laseren med optiske hjelpemidler (kikkert, teleskop).

Rett ikke laseren mot reflekterende flater.

Utsett deg ikke for laserstråling. Laseren kan sende ut sterk stråling.

Bytt ikke innebygget laser ut mot en annen type laser. Reparasjoner skal kun utføres av autoriserte service - teknikere.

FORMÅLMESSIG BRUK

Kappsagen er egnet for saging av massivt tre, sammenlimt tre, tre lignende materiale og kunststoff.

Arbeidsstykker med runde eller uregelmessig tverrsnitt (f.eks ved) skal ikke sages, fordi disse ikke kan holdes sikkert ved sagingen. Ved saging av flate arbeidsstykker på høykant skal det brukes et egnet hjelperedskap for sikker føring av arbeidsstykket.

RETFARER

Selv ved sakkyndig bruk av produktet kan restfarer ikke helt utelukkes. Ved bruk kan følgende risikoer oppstå og derfor må bruker ta hensyn til følgende:

- Skader forårsaket av vibrasjon. Hold alltid apparatet i håndtakene som er konstruert for dette og begrenns arbeids- og eksponeringstiden.
- Støy kan føre til hørselsskader. Bruk hørselsvern og begrenns eksponeringens varighet.
- Øyeskader forårsaket av smusspartikler. Ha alltid på deg vernebriller, tette lange bukser og solide sko.
- Innånding av giftig støv

CE-SAMSVARERKLÆRING

Vi erklærer i alene ansvar at produktet beskrevet i „Teknisk data“ overensstemmer med alle relevante forskrifter til Eu direktiv

2011/65/EU, (EU) 2015/863 (RoHS)

2006/42/EC

2014/30/EU

og de følgende harmoniserte normative dokumentene. fyrstikker

EN 62841-1:2015+A11:2022

EN IEC 62841-3-9:2020+A11:2020

EN IEC 55014-1:2021

EN IEC 55014-2:2021

EN IEC 63000:2018

 Winnenden, 2022-12-12



Alexander Krug / Managing Director

Autorisert til å utarbeide den tekniske dokumentasjonen

Techtronic Industries GmbH

Max-Eyth-Straße 10, 71364 Winnenden, Germany

BATTERIER

Vekselbatterier som ikke er brukt over lengre tid skal etterlades før bruk. En temperatur over 50°C reduserer vekselbatteriets kapasitet. Unngå oppvarming i sol eller ved varmeovner (fyring) i lengre tid.

Hold tilkoplingskontaktene på lader og vekselbatteriene rene.

For optimal holdbarhet må batteriene lades opp helt etter bruk.

For å sikre en lengst mulig brukstid av batteriene skal disse etter oppladning taes ut av laderen.

Ved lagring av batteriene lengre enn 30 dager: Batteriet skal lagres på temperaturer under 27°C og unna fuktighet. Lagre batteriet ved en oppladningstilstand på ca. 30%-50%.

TRANSPORT AV LITIU-ION-BATTERI

Transport av Litium-Ion-Batteri

Transporten av disse batteriene må rette seg etter lokale, nasjonale og internasjonale forskrifter og bestemmelser.

Forbruker har lov å transportere disse batteriene på gaten uten reglementering.

Den kommersielle transport av Litium-ion-batterier av spedisjonsfirma faller under bestemmelsene om transport av farlig gods. Forberedningene av forsendelsen og transport skal utelukkende gjennomføres av personer som har blitt skolert til dette. Hele prosessen skal følges opp av fagfolk.

Følgende punkter skal tas hensyn til ved transport:

Kontroller at kontaktene er beskyttet og isolert for å unngå kortslutninger. Pass på at batteripakken i forpakningen ikke kan skli fram og tilbake. Skadede eller batterier som lekker er det ikke lov å transportere. Ta kontakt med spedisjonsfirma for ytterlige henvisninger.

OVERBELASTNINGSVERN FOR OPPLADBARE BATTERIER

Ved overbelastning av det oppladbare batteriet på grunn av svært høyt strømforbruk f.eks. ved ekstremt høye dreiemomenter, hekking av verktøy som monteres på, plutselige stopp eller kortslutning, stopper elektroverktøyet i 2 sekund og så slår det seg selvstendig av. For å tilbake stille, fjern batteripakken fra verktøyet og erstatt det. Ved ekstreme belastninger opphører det oppladbare batteriet seg for sterkt. I slike tilfeller blinker alle lampene på displayet til batteriet er avkjølt. Når lampene har sluttet å blinke, kan man fortsette å arbeide. Sett batteriet da i laderen for å få det oppladet og aktivert igjen

VEDLIKEHOLD

Ta ut vekselbatteriet før du arbeider på maskinen.

Vær sikker på at støpslet er trukket ut av strømkontakten før det demonteres eller monteres sagblad.

Skift slitte bordinnlegg

Rengjør apparatet og verneinnretningen med en tørr klut.

Hold alltid luftenåpningene på maskinen rene.

Bruk kun Milwaukee tilbehør og Milwaukee reservedeler. Komponenter der utskifting ikke er beskrevet skal skiftes ut hos Milwaukee kundeservice (se brosjyre garanti/kundeserviceadresser).

Ved behov kan du be om en eksplosjonsteikning av apparatet hos din kundeservice eller direkte hos Techtronic Industries GmbH, Max-Eyth-Strasse 10, 71364 Winnenden, Germany. Oppgi maskintype og det nummeret på typeskiltet.

SYMBOLER



OBS! ADVARSEL! FARE!



Ta ut vekselbatteriet før du arbeider på maskinen



Les nøye gjennom bruksanvisningen før maskinen tas i bruk.



Bruk alltid vernebrille når du arbeider med maskinen.



Bruk hørselsvern!



Bruk vernehansker!



Hold hendene borte fra området til sagebladet.



Maskinen skal ikke utsettes for regn.



Dette produktet inneholder et klasse 2 forbrukerlaserprodukt iht EN 60825-1:2014+A11:2021 og EN 50689:2021. **Se ikke inn i laseren.**



Elektrisk og elektronisk avfall skal ikke avfallshåndteres sammen med husholdningsavfallet. Brukte batterier, elektrisk og elektronisk avfall skal samles kildesortert og avfallshåndteres. Fjern brukte batterier, akkumulatører og lysmidler fra apparatene før de kasseres. Be om informasjon hos de lokale myndighetene eller hos din fagforhandler om miljøstasjoner og samlesteder. Avhengig av de lokale bestemmelsene kan detaljhandlere være forpliktet til å ta tilbake brukte batterier, elektrisk og elektronisk avfall uten kostnader. Bidra til å redusere behovet for råmaterialer ved å sørge for gjenbruk og resirkulering av dine brukte batterier og ditt elektriske og elektroniske avfall. Brukte batterier (særlig litium-ion-batterier), elektrisk og elektronisk avfall inneholder verdifulle, gjenbrukbare materialer som ved ikke-miljøriktig avfallshåndtering kan ha negative konsekvenser for miljøet og din helse. Slett først eventuelle personrelaterte data fra det brukte apparatet før det avfallshåndteres.



Spenning



Likestrøm



Tomgangsturtall



Sagblad- \emptyset x hull- \emptyset



Europeisk samsvarsmerke



Britisk samsvarsmerke



Ukrainsk samsvarsmerke



Euroasiatisk samsvarsmerke

Norsk

Tekniske data Kap-/geringsåg	M18 SMS216
Produktionsnummer	4745 85 04... ... 000001-999999
Tomgangsvarvtal, obelastad	2700 min ⁻¹
Batterispänning	18V ---
Sågklinga- \emptyset x hull- \emptyset	216 x 30 mm
Sågklingans tjocklek	1,5 mm
Skärbredd max. Gering 0°/ Lutning 0° Gering 45°/ Lutning 0° Gering 0°/ Lutning 45° Gering 45°/ Lutning 45°	60 x 270 mm 60 x 190 mm 48 x 270 mm 48 x 190 mm
Min. avmätning av arbeidsstycket	130 x 35 x 2 mm
Rekommenderad omgivningstemperatur för driften	-5°C - +40°C
Rekommenderade batterier (Akkupacks)	M18B..., M18HB...
Rekommenderade laddare	M12-18..., M1418 C6
Vikt enligt EPTA 01/2014	14,5 kg
Laserstrålningen som används i denna såg är klass II med maximalt $P \leq 1$ mW och λ : 620 ~ 660 nm våglängd.	
Bullerinformation Mätvärdena har tagits fram baserade på EN 62841. A-värdet av maskinens ljudnivå utgör:	
Ljudtrycksnivå (Onoggrannhet $K=3$ dB(A)) Ljudeffektsnivå (Onoggrannhet $K=3$ dB(A))	91,8 dB (A) 105 dB (A)
Använd hörselskydd!	

VARNING

Det i det här faktabladet angivna bulleremissionsvärdet har uppmätts enligt ett i EN 62841 normerat testförfarande och kan användas vid jämförelse mellan olika verktyg. Det är även lämpligt att använda vid en preliminär bedömning av belastningen. Det angivna bulleremissionsvärdet representerar den huvudsakliga användningen av det aktuella verktyget. Men om verktyget används för andra tillämpningar eller tillsammans med avvikande tillbehör eller om det är otillräckligt underhållet, kan bulleremissionsvärdet vara ett annat. Det kan öka belastningen betydligt under den totala arbetstiden.

För att få en exaktare bedömning av belastningen orsakad av buller ska även den tid beaktas, under vilken verktyget är avstängt eller är påslaget, utan att det verkligen används. Det kan reducera belastningen betydligt under den totala arbetstiden.

Lägg som skydd för användaren fast extra säkerhetsåtgärder mot bullers verkan, som till exempel: underhåll av verktyget och tillbehören och organisering av arbetsförlopp. Bär hörselskydd. Buller kan leda till att du förlorar hörsel.



VARNING Läs alla säkerhetsanvisningar, instruktioner, beskrivningar och uppgifter som du får tillsammans med apparaten. Om nedanstående anvisningar ignoreras finns risk för att elstöt, brand och/eller allvarliga personskador uppstår. **Förvara alla varningar och anvisningar för framtida bruk.**



SÄKERHETSANVISNINGAR FÖR GERINGSÅGAR

- Geringsågar är avsedda för att skära trä eller träliknande produkter. De kan inte användas med kapskivor för att skära järnmaterial som till exempel stavar, stänger, bultar osv.** Slipdamm gör att rörliga delar, som till exempel det nedre skyddet, låser sig. Gnistor från slipande skärning bränner sönder det nedre skyddet, sågspårinsatsen och andra plastdelar.
- Använd alltid när det är möjligt skruvtvingar för att hålla fast arbeidsstycket. Om du håller fast arbeidsstycket med handen, måste du alltid hålla din hand på minst 100 mm avstånd från endera sidan av sågbladet. Använd inte den här sågen för att skära bitar som är för små för att spännas fast eller hållas fast med handen på ett säkert sätt. Om din hand är placerad för nära sågbladet, finns en ökad risk att du skadar dig genom kontakt med sågbladet.**
- Arbetsstycket måste vara fastspänt så att det inte kan röra sig eller hållas både mot anhället och bordet. Du får inte på något sätt mata in arbetsstycket i sågbladet eller skära "på fri hand".** Arbetsstycken som sitter löst eller rör på sig kan slungas iväg i hög hastighet och orsaka skada.
- Skjut sågen genom arbeidsstycket. Dra inte sågen genom arbeidsstycket. För att göra ett snitt lyfter du upp såghuvudet och drar det över arbeidsstycket utan att skära. Sedan startar du motorn, trycker ner såghuvudet och skjuter även genom arbeidsstycket.** Vid skärning i dragriktning finns risk att sågbladet klättrar upp på arbetsstycket och sågbladsenheten våldsamt slungas mot operatören.

Svenska

- e) **Sträck aldrig handen tvärs över den avsedda snittlinjen, varken framför eller bakom sågbladet.** Att stödja arbetsstycket med "korsade händer", dvs. att hålla fast arbetsstycket med vänster hand på höger sida av sågbladet eller tvärtom, är väldigt farligt.
- f) **Sträck inte in någondera handen bakom anhållet medan sågbladet roterar, t.ex. för att ta bort träspån eller av någon annan anledning. Låt inte handen komma närmare än 100 mm från sågbladet på någondera sidan.** Det roterande sågbladets närhet till din hand är kanske inte uppenbar, och du kan skadas allvarligt.
- g) **Granska ditt arbetsstycke före skärningen. Om arbetsstycket är böjt eller skevt, ska du spänna fast det med den utåtböjda sidan mot anhållet. Förvissa dig alltid om att det inte finns någon spalt mellan arbetsstycket, anhållet och bordet längs snittlinjen.** Böjda eller skeva arbetsstycken kan vrida eller flytta sig och kärva mot det roterande sågbladet under skärningen. Det får inte finnas några spikar eller främmande föremål i arbetsstycket.
- h) **Använd inte sågen förrän bordet är fritt från alla verktyg, träspån osv. Endast arbetsstycket får finnas på bordet.** Smått skräp, lösa träbitar eller andra föremål som kommer i kontakt med det roterande sågbladet, kan slungas iväg med hög hastighet.
- i) **Skär endast ett arbetsstycke i taget.** Flera arbetsstycken som har staplats på varandra, kan inte spännas fast eller bindas ihop på ett lämpligt sätt och kan kärva mot sågbladet eller flytta sig under skärningen.
- j) **Säkerställ att geringsågen är monterad eller placerad på en jämn och fast arbetsyta innan du använder den.** En jämn och fast arbetsyta minskar risken för att geringsågen blir instabil.
- k) **Planera ditt arbete. Varje gång du ändrar fas- eller geringsvinkeln måste du se till att det justerbara anhållet är korrekt inställt, så att det stöder arbetsstycket och inte är i vägen för sågbladet eller skyddssystemet.** För att säkerställa att ingenting är i vägen och att det inte finns någon risk för att skära i anhållet, ska du flytta sågbladet längs hela det simulerade snittet utan att slå på verktyget och utan arbetsstycke på bordet.
- l) **Ordna med lämpligt stöd, som till exempel bordsförlängningar, sågbockar osv., för arbetsstycken och är bredare eller längre än bordskivan.** Arbetsstycken som är bredare eller längre än geringsågbordet kan tippa över om de inte har ett säkert stöd. Om det avkapade stycket eller arbetsstycket tippar över, kan det lyfta upp det nedre skyddet eller slungas iväg av det roterande sågbladet.
- m) **Använd inte en annan person som ersättning för en bordsförlängning eller som ytterligare stöd.** Om arbetsstyckets stöd är instabilt, kan sågbladet kärva eller arbetsstycket flytta sig under skärningen och dra in dig och medhjälparen i det roterande sågbladet.
- n) **Den avkapade biten får inte på något sätt fastna eller tryckas mot det roterande sågbladet.** Om utrymmet är begränsat, dvs. om längdanslag används, kan den avkapade biten kila fast mot sågbladet och slungas iväg våldsamt.
- o) **Använd alltid en skruvtving eller fixtur som är utformad för att på rätt sätt hålla fast runt material, som till exempel stänger eller rör.** Stänger har en tendens att rulla när de kapas, vilket gör att sågbladet "biter sig fast" och drar in arbetsstycket med din hand i sågbladet.

- p) **Låt sågbladet nå full hastighet innan det kommer i kontakt med arbetsstycket.** Det minskar risken för att arbetsstycket slungas iväg.
- q) **Om arbetsstycket eller sågbladet fastnar, ska du stänga av geringsågen. Vänta tills alla rörliga delar har stannat och dra ut stickproppen ur kraftkällan och/eller ta ut batteripaketet. Ta sedan loss det fastklämda materialet.** Att fortsätta säga med ett arbetsstycke som har fastnat kan leda till förlust av kontrollen eller skada på geringsågen.
- r) **När du är klar med snittet släpper du strömbrytaren, håller ner såghuvudet och väntar tills sågbladet har stannat, innan du tar bort den avkapade biten.** Det är farligt att komma nära sågbladet med handen så länge det fortfarande snurrar.
- s) **Håll stadigt i handtaget om du gör ett ofullständigt snitt eller om du släpper strömbrytaren innan såghuvudet är helt i den nedre positionen.** Sågens bromsning kan göra att såghuvudet plötsligt dras nedåt, vilket orsakar risk för skada.

Övriga säkerhets- och användningsinstruktioner

Bär alltid personlig skyddsutrustning och skyddsglasögon. Användning av personlig skyddsutrustning som t. ex. dammfiltermask, halkfria säkerhetsskor, skyddshjälm och hörselskydd reducerar alltefter elverktygets typ och användning risken för kroppsskada.

Bär hörselskydd. Buller kan leda till att du förlorar hörseln.

Dammet som uppkommer vid arbeten med denna maskin kan vara skadligt för hälsan om de när kroppen. Använd ett utsugningssystem och bär skyddsmask. Avlägsna kvarblivande damm med t.ex. en dammsugare.

Anslut sågen till en dammutsugning när du sågar trä.

Vi rekommenderar att inför första användningen läsa bruksanvisningen och sätta sig in i redskapets funktionsätt.

Se till att maskinen alltid står stadigt (t.ex. genom att fästa den på arbetsbänken).

Se till att golvet alltid är fritt från materialrester t.ex. spån och sågrester.

Använd inga sågblad som har tagit skada eller är deformerade. Sägklinga, vars värden inte överensstämmer med data i denna bruksanvisning, får ej användas.

Endast verktyg som uppfyller EN 847-1 får användas.

Använd inga sågklingor som är tillverkade av high-speed stål.

Välj en sågklinga som lämpar sig för materialet som ska sågas.

Det tillåtna varvtalet för insatsverktyget måste minst vara så högt som angivet högsta varvtalet på elektroverktyget. Tillbehör som roterar snabbare än tillåtet, kan gå sönder och flyga omkring.

Verktygen måste transporteras och förvaras i en därtill lämplig behållare;

Använd endast de flänsar som bifogas och som visas i bruksanvisningen för att fästa sågklingan.

Använd sågen aldrig för andra material än de som anges i bruksanvisningen.

Använd kapsågen endast om skyddshuven fungerar felfritt och om den har skötts på föreskrivet sätt. Skyddshuven måste svänga tillbaka automatiskt.

Avlägsna ej några sågningsrester eller andra delar av arbetsstycket från sågens arbetsområde, när maskinen är i gång och såghuvudet inte är i viloläge.

Lakttag största försiktighet när maskinen är igång.

Använd alltid maskinens skyddsanordningar.

Fel på maskinen, inklusive skyddsanordningen, ska omgående meddelas säkerhetsansvarig.

Sågens pendelskyddskåpa får ej fastslås.

Stötta långa arbetsstycken på lämpligt sätt.

Transportera kapsågen endast med hjälp av handtaget - transportsäkring måste ha gått i lås.

Justera styrskenan när du utför geringsnitt, avfasningsnitt eller sammansatta geringsnitt för att försäkra dig om korrekt säkerhetsmarginal från klingan.

Se till att matningshastigheten inte är för hög för att förhindra att sågbladets kuggar blir för varma och att materialet smälter när du sågar i plast.

Införingsverktyget har en vass egg och kan bli het under användning.

WARNING! Risk för skärsår och brännskador

-vid hantering av införingsverktygen

- när man lägger ifrån sig maskinen

Använd skyddshandskar när du hanterar införingsverktyg.

Även om produkten används på ändamålsenligt och föreskrivet sätt kan kvarstående risker aldrig helt uteslutas. Vid användningen finns nedan nämnda risker varför du som användare vid sidan om alla andra föreskrifter också ska beaktas följande:

- Använd lämpligt hörselskydd och begränsa exponeringstiden för att undvika hörselskador.
- Använd en andningsskyddsmask för att förhindra att du andas in sågdamm som kan ge hälsoskador.

LASER

Titta aldrig direkt in i laserstrålen och rikta den inte mot andra personer.

Titta aldrig med optiska hjälpmedel (kikare, teleskop) in i laserstrålen.

Rikta lasern inte på reflekterande ytor.

Utsätt ingen för laserstrålningen. Lasern kan sända en mycket stark strålning.

Byt inte ut monterad laser mot en laser av annan typ. Reparationer får endast utföras av auktoriserade service-tekniker.

ANVÄND MASKINEN ENLIGT ANVISNINGARNA

Kapsågen kan användas för att såga massivt trä, limmat trä, träliknande material och plast.

Arbetsstycken med runt eller oregelbundet tvärsnitt (t ex ved) får ej sågas, eftersom dessa inte kan fixeras på ett säkert sätt. För att såga plana arbetsstycken vertikalt, skall användas lämpligt stödanslag för säker styrning av arbetsstycket.

KVARTÄNDE RISKER

Även om produkten används på ändamålsenligt och föreskrivet sätt kan kvarstående risker aldrig helt uteslutas. Vid användningen finns nedan nämnda risker varför du som användare vid sidan om alla andra föreskrifter också ska beaktas följande:

- Personskador orsakade av vibration. Håll fast maskinen i de därför avsedda handtagen och begränsa arbets- och exponeringstiden.
- Bullerbelastning kan leda till hörselskador. Bär hörselskydd och begränsa exponeringstiden.
- Ögonskador orsakade av smutspartiklar. Använd alltid skyddsglasögon, kraftiga långbyxor och stabila skor.
- Inandning av giftigt damm.

CE-FÖRSÄKRAN

Vi tar på vårt ansvar att produkten som har beskrivits under Tekniska data uppfyller alla relevanta villkor i direktiven

2011/65/EU, (EU) 2015/863 (RoHS)

2006/42/EC

2014/30/EU

samt att följande harmoniserade standarder har använts

EN 62841-1:2015+A11:2022

EN IEC 62841-3-9:2020+A11:2020

EN IEC 55014-1:2021

EN IEC 55014-2:2021

EN IEC 63000:2018



Winnenden, 2022-12-12

Alexander Krug / Managing Director

Befullmäktigad att sammanställa teknisk dokumentation.

Techtronic Industries GmbH

Max-Eyth-Straße 10, 71364 Winnenden, Germany

BATTERIER

Batteri som ej använts på länge måste laddas före nytt bruk. En temperatur över 50°C reducerar batteriets effekt. Undvik längre uppvärmning tex i solen eller nära ett element.

Se till att anslutningskontaktarna i laddaren och på batteriet är rena.

För att batterierna ska få lång livslängd ska de laddas fulla efter användning.

För att få en så lång livslängd som möjligt bör laddningsbara batterier avlägsnas från laddaren när de är laddade.

Om laddningsbara batterier lagras längre än 30 dagar: Förvara batteripaketet på platser som är skyddade mot fukt och där temperaturen är under 27 °C. Lagra batteriet vid ca 30%-50% av laddningskapaciteten.

TRANSPORTERA LITIJUMJON-BATTERIER

Transportera litiumjon-batterier

Därför får dessa batterier endast transporteras enligt gällande lokala, nationella och internationella föreskrifter och bestämmelser.

Konsumenter får transportera dessa batterier på allmän väg utan att behöva beakta särskilda föreskrifter.

För kommersiell transport av litiumjon-batterier genom en speditorsfirma gäller emellertid bestämmelserna för transport av farligt gods på väg. Endast personal som känner till alla tillämpliga föreskrifter och bestämmelser får förbereda och genomföra transporten. Hela processen ska följas upp på fackmässigt sätt.

Följande ska beaktas i samband med transporten av batterier:

Säkerställ att alla kontakter är skyddade och isolerade för att undvika kortslutning. Se till att batteripacken inte kan glida fram och tillbaka i förpackningen. Transportera aldrig batterier som läcker, har runnit ut eller är skadade. För mer information vänligen kontakta din speditorsfirma.

BATTERI-ÖVERBELASTNINGSSKYDD

Vid överbelastning av batteriet genom mycket hög strömförbrukning, t.ex. vid extremt höga vridmoment, om insatsverktyget kläms fast, ett plötsligt stopp eller vid kortslutning, stoppas elverktyget i 2 sekunder och stängs sedan automatiskt av. För återställning ska du ta ut batteripaketet ur verktyget och sätta tillbaka det igen. Vid en extrem belastning blir det laddningsbara batteriet för varmt. I detta fall blinkar alla lampor på laddningsindikeringen så länge tills batteriet har svalnat. När laddningsindikeringen har slocknat kan du fortsätta med arbetet. Sätt då batteriet i laddaren för att ladda upp och aktivera det igen.

SKÖTSEL

Drag ur batteripaket innan arbete utföres på maskinen.

Koppla alltid bort verktyget från eluttaget innan du sätter dit eller tar bort sägklingan.

Byt ut bordsinlägget om det är slitet.

Rengör både verktyget och skyddsanordningen med en torr trasa.

Se till att motorhöljets luftslitsar är rena.

Använd endast Milwaukee-tillbehör och Milwaukee-reservdelar. Komponenter, för vilka inget byte beskrivs, skall bytas ut hos Milwaukee-kundtjänst (se broschyren garanti-/kundtjänstadresser).

Vid behov av sprängskiss, kan en sådan, genom att uppgä maskinens art nr. (som finns på typskylten) erhållas från: Techtronic Industries GmbH, Max-Eyth-Strasse 10, 71364 Winnenden, Germany.

SYMBOLER



OBSERVERA! VARNING! FARA!



Drag ur batteripaket innan arbete utföres på maskinen.



Läs instruktionen noga innan du startar maskinen.



Använd alltid skyddsglasögon.



Använd hörselskydd!



Bär skyddshandskar!



Se till att du aldrig kommer med händerna i närheten av sägbladet.



Utsätt sägen inte för regn.



Denna produkt innehåller en klass 2 konsumentlaserprodukt enligt

EN 60825-1:2014+A11:2021 och EN 50689:2021.

Titta aldrig in i laserstrålen.



Förbrukade batterier och avfall som utgörs av eller innehåller elektrisk och elektronisk utrustning (WEEE) får inte slängas tillsammans med de vanliga hushållssoporna. Förbrukade batterier eller WEEE ska samlas och avfallshanteras separat. Ta ut förbrukade batterier, förbrukade ackumulatörer och ljuskällor ur produkterna innan de avfallshanteras. Kontakta den lokala myndigheten respektive kommunen eller fråga återförsäljare var det finns speciella avfallsstationer för elskrot. Beroende på de lokala bestämmelserna kan återförsäljare vara skyldiga att ta tillbaka förbrukade batterier eller WEEE gratis. Bidra till att minska behovet av råvarorna genom återanvändning och återvinning av dina förbrukade batterier eller ditt WEEE. Förbrukade batterier (i synnerhet litiumjonbatterier) och WEEE innehåller värdefulla återvinningsbara material som kan skada miljön och din hälsa om de inte avfallshanteras på korrekt sätt. Tänk på att radera eventuella personuppgifter som kan finnas på din utrustning innan du lämnar den till avfallshanteringen.



Spänning



Likström



Tomgångsvarvtal, obelastad



Sägklinga- ϕ x hål- ϕ



Europeiskt konformitetsmärke



Britiskt konformitetsmärke



Ukrainskt konformitetsmärke



Euroasiatiskt konformitetsmärke

Tekniskt arvot Katkaisu- ja Jiirisaha	M18 SMS216
Tuotantonumero	4745 85 04... ... 000001-999999
Kuormittamaton kierrosluku	2700 min ⁻¹
Jännite vaihtoakku	18V ---
Sahanterän ϕ x reiän ϕ	216 x 30 mm
sahanterän paksuus	1,5 mm
Jyrsintäleveys maks. Viistekulma 0°/ Kaltevuuskulma 0° Viistekulma 45°/ Kaltevuuskulma 0° Viistekulma 0°/ Kaltevuuskulma 45° Viistekulma 45°/ Kaltevuuskulma 45°	60 x 270 mm 60 x 190 mm 48 x 270 mm 48 x 190 mm
Työkappaleen minimaalinen	130 x 35 x 2 mm
Suosittelun ympäristön lämpötila käytön aikana	-5°C - +40°C
Suosittelun akkusarjat	M18B..., M18HB...
Suosittelun latauslaitteet	M12-18..., M1418 C6
Paino EPTA-menetelmän 01/2014 mukaan	14,5 kg
Tässä sahasa käytetty lasersäteily kuuluu luokkaan II, maksimi P ≤ 1mW ja λ: 620 ~ 660 nm aallonpituuksilla.	
Melunpäästötiedot Mitta-arvot määritetty EN 62841 mukaan. Koneen tyypillinen A-luokitettu melutaso: Melutaso (Epävarmuus K=3dB(A)) Äänenvoimakkuus (Epävarmuus K=3dB(A)) Käytä kuulosuojaimia!	91,8 dB (A) 105 dB (A)

VAROITUS

Tässä ohjelehdessä annettu melunpäästöarvo on mitattu standardilla EN 62841 normitetulla koestusmenetelmällä ja sitä voidaan käyttää työkalujen vertailuun keskenään. Sitä voidaan käyttää myös rasituksen alustavaan arvioon.

Annettu melunpäästöarvo edustaa työkalun pääasiallisia sovellusalueita. Jos työkalua käytetään muihin tarkoituksiin tai poikkeavien varusteiden, tai jos sitä ei ole huollettu riittävästi hyvin, niin melunpäästöarvo saattaa poiketa tästä. Seurauksena voi olla rasituksen huomattava lisääntyminen kokonaistyöajan puitteissa. Melurasituksen tarkkaa arviointia varten tulisi ottaa huomioon myös ne ajat, jolloin työkalu on sammuttettu tai se käy, mutta sitä ei sillä hetkellä käytetä. Tämä saattaa huomattavasti vähentää rasitusta kokonaistyöajan puitteissa.

Määrittä lisätoimenpiteitä käyttäjän suojaamiseksi melun haittavaiikutuksilta, kuten esimerkiksi: työkalun ja varusteiden huolto sekä työväiheidien organisointi.

Käytä korvasuojia. Melulle altistuminen voi heikentää kuuloa.



VAROITUS Lue kaikki varotoimenpiteet, ohjeet, kuvalliset esitykset ja tiedot, jotka toimitetaan laitteen mukana. Ellet noudata seuraavia ohjeita, saattaa se johtaa sähköiskuun, tulipaloon ja/tai vaikeisiin loukkaantumisiin. Säilytä kaikki turvallisuus- ja muut ohjeet tulevaisuutta varten.



JIIIRISAHAN KÄYTTÖOHJEET

- Jiirisaha on tarkoitettu puun ja puun kaltaisten materiaalien leikkaamiseen, eikä jiirisahaan tule lisätä hankaavaiateria rautapitoisten materiaalien, kuten pulttien, tankojen, harkkojen ym. hiomista varten.** Hiomisesta syntyvä pöly aiheuttaa liikkuvien osien, kuten alasuojan jumittumisen. Hiomisen yhteydessä syntyneet kipinäpölyt polttavat alasuojan, tukilevyt ja muut muoviosat.
- Käytä ruuvipuristinta tukemaan työstettävää osaa aina kun se on mahdollista. Mikäli työstettävää osaa pidetään kädessä, kädet on pidettävä aina vähintään 10cm päässä sahan terästä. Älä työstä tällä sahalalla osia, jotka ovat liian pieniä ruuvipuristimeen tai kädessä pitämiseen.** Jos kätesi ovat liian lähellä sahan terää, kätesi saattaa osua terään ja tapahtumariskisi kasvaa.
- Työstettävän osan tulee aina olla hyvin paikoillaan ja pultattuna tai tuettuna suojusta ja työpöytä vasten. Älä koskaan työnnä työstettävää osaa huolimattomasti terää kohti tai ilman että työstetty osa on kunnolla tuettu.** Huonosti kiinnitetyt tai irtonaiset osat saattavat sinkoutua terästä ja aiheuttaa vahinkoja.
- Työnnä saha työstettävän osan läpi. Älä vedä sahaa työstettävän osan läpi. Nosta paikoillaan olevaa sahan terää ja vedä se työstettävän osan yli. Kytke laite päälle, paina sahanterä alas ja työnnä se työstettävän osan yli.** Jos yrität vetää sahaa työstettävän osan yli, sahanterä saattaa hypätä työstettävän osan päälle ja heittää terän voimakkaasti kohti laitteen runkoa.

e) **Älä koskaan aseta käsiäsi leikkausviivalle sahanterän eteen tai taakse.** Työstettävän osan käsin tukeminen niin, että kätesi ovat ristissä, eli pidät työstettävää osaa vasemmalla kädellä sahan oikealla puolella tai toisin päin, on erittäin vaarallista.

f) **Älä työnää käsiäsi suojuksen yli 10 cm lähemmäksi terää poistaaksesi leikkauksätteitä tai minkään muunkaan syyn takia, kunnes terä on täysin pysähtynyt.** Et välttämättä huomaa kuinka lähellä kätesi ovat sahanterää ja saatat loukkaantua pahasti.

g) **Tarkasta työstettävä osa ennen leikkaamista. Jos työstettävä osa on vino tai kiero, ruuvaa se niin, että sen kumara osa on suojusta vasten. Varmista aina, että työstettävän osan leikkaukselinja on kiinni suojuksessa ja leikkaustasossa.** Vinot tai kierot osat saattavat pyöriä tai liikkua, joka saattaa johtaa osan juuttumiseen sahanterään leikkaamisen aikana.

h) **Älä käytä sahaa ennen kuin olet siivonnut pöydältä kaikki muut työkalut, puuosat ym. työstettävää osaa lukuun ottamatta.** Jos pienet roskat, puupalat tai muut esineet joutuvat kosketuksiin liikkuvan terän kanssa, se saattaa sinkoutua voimakkaasti terästä.

i) **Leikkaa aina vain yksi osa kerrallaan.** Sahaa ei saa käyttää useamman osan leikkaamiseen kerralla, koska useampaa osaa ei saa kiinnitettyä kunnolla paikoilleen ja tämä saattaa johtaa terän jumittumiseen tai vääntymiseen leikkaamisen aikana.

j) **Varmista ennen käyttöä, että jiirisaha on kiinnitetty tasaiselle ja tukevalle alustalle.** Tasaisen ja tukevan alustan avulla varmistetaan, että jiirisaha on tukevasti paikoillaan.

k) **Suunnittele leikkauksiprosessi huolellisesti. Aina, kun muutat terän kulmaa tai linjaa varmista, että muunneltava suojuus on oikealla kohdalla ja tukee työstettävää osaa, muttei häiritse terää tai suojujärjestelmää.** Ennen kuin käännät laitteen päälle ja asetat työstettävän osan leikkaustasolle, liiikuta sahanterää leikkauksurassa varmistaaksesi, ettei terän tiellä ole esteitä, eikä se osu suojukseen.

l) **Mikäli työstettävä osa on suurempi kuin leikkaustaso, tue työstettävää osaa esimerkiksi jatkettavan pöydän, sahapukin ym. avulla.** Työstettävät osat, jotka ovat suurempia kuin leikkauksurassa saattavat kaatua, ellei niitä ole asianmukaisesti tuettu. Jos leikkauksuralla pala tai työstettävä osa kaatuu, se saattaa irrottaa alemman suojuksen tai se saattaa sinkoutua liikkuvasta terästä.

m) **Älä pyydä tukialustan sijaan toista henkilöä pitämään työstettävää osaa paikoillaan tai tukemaan sitä.** Jos työstettävää osaa ei tueta riittävästi hyvin, sahanterä saattaa jumittua tai työstettävä osa saattaa liikkua leikkaamisen aikana ja vetää sinua ja osaa kannattelevaa henkilöä kohti terää.

n) **Leikattua osaa ei saa painaa tai työntää väkisin liikkuvaa terää vasten.** Ahtaassa tilassa, esimerkiksi mittalaitetta käyttäessä, leikattu osa saattaa jäädä jumiin terää vasten ja sinkoutua voimakkaasti.

o) **Kun työstät pyöreitä osia, kuten tankoja tai putkia, käytä aina ruuvipuristinta tai muuta asianmukaista apuvälinettä pitämään osaa paikallaan.** Pyöreillä esineillä on taipumus pyöriä leikkaamisen aikana, mikä saattaa johtaa terän jumittumiseen ja vetää kättäsi terää kohti.

p) **Anna terän kiihtyä täyteen nopeuteen ennen kuin aloitat leikkaamisen.** Tämä ehkäisee työstettävän osan sinkoutumisen vaaraa.

q) **Mikäli työstettävä osa tai terä jää jumiin, käännä jiirisaha pois päältä. Odota, kunnes kaikki liikkuvat osat ovat pysähtyneet, irrota töpseli seinästä ja/tai irrota akku. Irrota tämän jälkeen jumittunut materiaali terästä.** Jos jatkavat jumittumisen osan sahaamista, saatat menettää sahan hallinnan tai vioittaa jiirisahaa.

r) **Leikkaamisen jälkeen käännä katkaisija pois päältä, pidä saha alhaalla ja odota, kunnes sahanterä on pysähtynyt ennen kuin irrotat leikatun osan.** Käden laittaminen liukuvan terän lähelle on vaarallista.

s) **Pidä kahvasta tiukasti kiinni, kun leikkaat työstettävää osaa vain osittain tai jos käännät katkaisijan pois päältä ennen kuin sahanterä on täysin alhaalla.** Kun terä jarruttaa, saha saattaa yhtäkkiä vetää alaspäin ja aiheuttaa vahinkoja.

Täydentäviä turvallisuusmääräyksiä ja työskentelyohjeita
Käytä suojarusteita. Käytä aina suojalaseja. Henkilökohtaisen suojarusteiden käyttö, kuten pölynäärin, luistamattomien turvakengien, suojakypärän tai kuulonsuojaimien, riippuen sähkötyökalun lajista ja käyttötavasta, vähentää loukkaantumisen riskiä.

Käytä korvasuojia. Melulle altistuminen voi heikentää kuuloa.

Työstössä syntyvä pöly saattaa olla terveydelle vahingollista, joten sen koskettaminen tai hengittäminen tulisi välttää. Liitä kone kohteimujärjestelmään ja käytä sopivaa pölysuojaa kasvoilla. Poista laskeutunut pöly huolellisesti esimerkiksi pölynimurilla.

Liitä saha pölynimulaitteeseen puuta sahatessasi.

On suositeltavaa lukea käyttöohje huolellisesti läpi ennen laitteen ensimmäistä käyttöä ja perehtyä laitteen käsittelyyn käytännössä ohjauksen alaisena.

Varmista, että kone seisoo aina tukevasti paikallaan (esim. kiinnittämällä se ruuvipenkkiin).

Pidä lattia puhtaana materiaali-jätteistä, esim. purusta ja sahaus-jätteistä.

Älä käytä sahanterää, jotka ovat vahingoittuneet tai vääntyneet. Sahanterää, joiden tunnus tiedot eivät tästä käyttöohjeesta, ei saa käyttää.

Koneen kanssa saa käyttää vain sellaisia teriä, jotka ovat EN 847-1 mukaisia.

Ei saa käyttää pikateräksestä valmistettuja sahanterää.

Valitse sahattavalle materiaalille sopiva sahanterä.

Käyttötöykalun sallitun kierrosluvun täytyy olla vähintään yhtä korkea kuin sähkötyökalulla ilmoitettu korkein kierrosnopeus. Sallittua nopeammin pyörivät lisävarusteet voivat rikkoutua ja lentää ympäriinsä.

Teriä tulee kuljettaa ja säilyttää sopivassa säilytyskoteloissa.

Käytä ainoastaan mukana toimitettuja ja käyttöohjeessa kuvattuja laippoja sahanterän kiinnittämiseen.

Älä koskaan käytä katkaisusahaa muiden kuin käyttöohjeessa lueteltujen materiaalien leikkaamiseen.

Käytä katkaisusahaa vain turvallisesti toimivan ja hyvin huolletun suojakuvun kera. Suojakuvun tulee kääntyä takaisin itsestään.

Älä poista sahausjätteitä tai muita työkalujen paloja sahaus-

lueulta, kun kone käy eikä sahan pää ole lepoasennoissa.

Älä tartu käynnistetyin laittein työskentelyalueelle.

Laitteen suojarusteita on ehdottomasti käytettävä.

Koneessa, mukaanluettuna suojarusteissa tai sahanterissä, ilmevät viat tulee ilmoittaa heti niiden havaitsemisen jälkeen koneen turvalliseksi käytöstä vastuulliselle henkilölle.

Liikkuvan teränsuojaa ei saa kiinnittää aukinaisena.

Pitkiä työstökappaleita tulee tukea sopivoin toimin.

Kuljeta katkaisusahaa vain kahvasta kantaan ja kuljetusvarmistuksen ollessa lukittuna.

Viistekulmaa, vinoa reunaa tai liitoskulmaa leikattaessa säädä liukuva este varmistamaan oikea terän etäisyys.

Vältä sahanterän hampaiden ylikuumentumisen käyttämällä tarkoitukseen sopivaa nopeutta. Täten vältetään myös materiaalin sulaminen muoviva sahattaessa.

Työkalu on teräväreunainen ja voi kuumentua käytön aikana.

VAROITUS! Viiltohaavojen ja palovammojen vaara

-työkaluja käytettäessä

-laitetta pois laskettaessa

Käytä työkalujen käsittelyn aikana suojakäsineitä.

Vaikka tuotetta käytetäänkin määräysten mukaisesti, niin jäämäriskejä ei voida välttää täysin. Käytössä saattaa esiintyä seuraavia riskejä, ja siksi käyttäjän tulee muistaa seuraavat asiat:

- Kuulovammojen välttämiseksi tulee rajoittaa altistamisaikaa ja käyttää sopivia kuulosuojuksia.
- Sahauspölyn sisäanhengittämisestä mahdollisesti aiheutuvien terveydellisten haittojen välttämiseksi tulee käyttää suojanamaria.

LASER

Älä katso lasersäteeseen äläkä suuntaa sitä muihin henkilöihin.

Älä katso lasersäteeseen optisten apuvälineiden (kiikarin, kaukoputken) avulla.

Älä kohdistaa laseria heijastaville pinnoille.

Vältä lasersäteeseen joutumista. Laser saattaa lähettää voimakasta säteilyä.

Älä vaihda sisänrakennettua laseria toisentyyppiseen laseriin. Vain valtuutetut huoltoteknikot saavat suorittaa tarvittavat korjaukset.

TARKOITUKSEN MUKAINEN KÄYTTÖ

Katkaisusahaa saa käyttää umpipuun, liimatun puun, puunkaltaisten raaka-ainoiden ja muovien sahaamiseen.

Työkappaleita, joiden halkaisija on pyöreä tai epäsäännöllinen (esim. pölyputkia), ei saa sahata, koska niitä ei voida pitää tukevasti paikallaan sahaamisen aikana. Sahattaessa laakeita työkappaleita pystyasennossa tulee käyttää sopivaa tukivälinettä niiden turvallista kuljettamista varten.

JÄÄMÄRISKIT

Vaikka tuotetta käytetäänkin määräysten mukaisesti, niin jäämäriskejä ei voida välttää täysin. Käytössä saattaa esiintyä seuraavia riskejä, ja siksi käyttäjän tulee muistaa seuraavat asiat:

- Teränsä aiheuttamat vammat. Pitele laitetta tähän tarkoitettuista kahvoista ja rajoita työskentely- ja altistamisaikaa.
- Melurasisuus saattaa aiheuttaa kuulovaurioita. Käytä kuulosuojaimia ja rajoita altistumisen kesto.
- Likahiukkasten aiheuttamat silmävammat. Käytä aina suojalaseja, pitkiä housuja ja tukevia kenkiä.
- Myrkyllisten pölyjen sisäanhengittäminen.

TODISTUS CE-STANDARDIN MUKAISUUDESTA

Vakuutamme täten olevamme yksin vastuussa siitä, että kohdassa "Tekniset tiedot" kuvattu tuote vastaa kaikkia direktiivien merkityksellisiä säädöksiä

2011/65/EU, (EU) 2015/863 (RoHS)

2006/42/EC

2014/30/EU

ja seuraavia yhdenmukaistettuja standardeja on käytetty

EN 62841-1:2015+A11:2022

EN IEC 62841-3-9:2020+A11:2020

EN IEC 55014-1:2021

EN IEC 55014-2:2021

EN IEC 63000:2018



Winnenden, 2022-12-12

Alexander Krug / Managing Director
Valtuutettu kokoamaan tekniset dokumentit.

Techronic Industries GmbH

Max-Eyth-Straße 10, 71364 Winnenden, Germany

AKKU

Pitäkään käyttämättä olleet vaihtoakut on ladattava ennen käyttöä. Yli 50°C lämpötilassa akun suorituskyky heikkenee. Vältä akun säilyttämistä auringossa tai kuumissa tiloissa.

Pidä aina latauslaitteen ja akun kosketuspinnat puhtaina.

Optimaalisen käyttöiän saavuttamiseksi akut on ladattava täyteen käytön jälkeen.

Mahdollisimman pitkän elinajan takaamiseksi akut tulee poistaa laturista lataamisen jälkeen.

Akkuja yli 30 päivää säilytettyinä: Säilytä akkuyksikkö kuivassa paikassa, jonka lämpötila on alle 27 °C. Säilytä akku sen latauksen ollessa 30% - 50%.

LITIUMI-IONI AKKUIEN KULJETTAMINEN

Litiumi-ioniakkujen kuljettaminen

Näiden akkujen kuljettaminen täytyy suorittaa noudattaen paikallisia, kansallisia ja kansainvälisiä määräyksiä ja säädöksiä.

Kuluttajat saavat ilman muuta kuljettaa näitä akkuja teitä pitkin.

Kaupallisessa kuljetuksessa huolintaliikkeiden täytyy kuljettaa litiumi-ioniakkuja vaarallisten aineiden kuljetuksesta annettujen määräysten mukaisesti. Ainoastaan vähän vastaavasti koulutetut henkilöt saavat suorittaa kuljetuksen valmisteluun ja itse kuljetuksen. Koko prosessia tulee valvoa asianmukaisesti.

Seuraavat kohdat tulee huomioida akkuja kuljetettaessa:

Varmista, että akkujen kontaktit on suojattu ja eristetty, jotta vältetään lyhytsulut. Huolehdi siitä, ettei akkusarja voi liuskahtaa paikaltaan pakkauksen sisällä. Vahingoittuneita tai vuotavia akkuja ei saa kuljettaa. Pyydä tarkemmat tiedot huolintaliikkeeltäsi.

AKUN YLIKUORMITUSUOJAUS

Jos akku ylikuormittuu liian suuren virrankulutuksen vuoksi, esim. äärimmäisen suurissa vääntömomenteissa, liitetyn työkalun kiinnijuutuksessa, äkkipysähdyksessä tai oikosulussa, niin sähkötyökalu pysähtyy 2 sekunnin ajaksi ja sammuu sitten omatoimisesti. Nollasta varten poista työkalusta akkuyksikkö ja vaihda uuteen. Erittäin suuressa kuormituksessa akku kuumenee liikaa. Tässä tapauksessa latausnäytön kaikki lamput vilkkuvat, kunnes akku on jäähtynyt. Kun latausnäyttö on sammunut, voi työtä jatkaa. Työnnä akku sitten latauslaitteeseen ja lataa se jälleen, jotta se aktivoituu.

HUOLTO

Ota akku pois ennen kaikkia koneeseen tehtäviä toimenpiteitä.

Muista irrottaa laite virtalähteestä, ennen kuin kiinnität tai irrotat sahanterän.

Vaihda loppuun kulunut pöydän sisäke uuteen.

Puhdista laite ja suojavarusteet kuivalla liinalla.

Pidä moottorin ilmanottoaukot puhtaina.

Käytä ainoastaan Milwaukee lisätarvikkeita ja Milwaukee varaosia. Mikäli jokin komponentti, jota ei ole kuvailtu, tarvitsee vaihtoa ota yhteys johonkin Milwaukee palvelupisteistä (kts. listamme takuuhoitoliikkeiden/ palvelupisteiden osoitteista)

Tarpeen vaatiessa voit pyytää lähettämään laitteen kokoonpanopiirustuksen ilmoittamalla arvokilven numeron seuraavasta osoitteesta: Techtronic Industries GmbH, Max-Eyth-Strasse 10, 71364 Winnenden, Germany.

SYMBOLIT



HUOMIO! VAROITUS! VAARA!



Ota akku pois ennen kaikkia koneeseen tehtäviä toimenpiteitä.



Lue käyttöohjeet huolellisesti, ennen koneen käynnistämistä.



Käytä laitteella työskennellessäsi aina suojalaseja.



Käytä kuulosuojaimia!



Käytä suojakäsineitä!



Älä koskaan vie käsiäsi sahanterän alueelle.



Älä jätä konetta alttiiksi sateelle.



Tämä tuote sisältää luokan 2 kuluttajalaser-tuotteen

EN 60825-1:2014+A11:2021 ja EN 50689:2021.

Älä katso lasersäteeseen



Älä hävitä käytettyjä paristoja, sähkö- ja elektroniikkaromua lajittelemattomana yhdyskuntajätteenä. Käytetyt paristot sekä sähkö- ja elektroniikkaromu on kerättävä erikseen. Käytetyt paristot, romuakut ja valonlähteet on irrotettava laitteista. Kysy paikallisilta viranomaisilta tai jälleenmyyjiltä neuvoa kierrättämiseen ja tietoa keräyspisteestä. Paikalliset säännökset saattavat velvoittaa vähittäiskauppiaita ottamaan käytetyt paristot, sähkö- ja elektroniikkaromun takaisin maksutta. Panoksesi käytettyjen paristojen sekä sähkö- ja elektroniikkalaiteromun uudelleenkäytössä ja kierrätyksessä auttaa vähentämään raaka-aineiden kysyntää. Käytetyt paristot, etenkin litiumia sisältävät, sekä sähkö- ja elektroniikkaromu sisältävät arvokkaita, kierrätettäviä materiaaleja, jotka saattavat vaikuttaa haitallisesti ympäristöön ja ihmisten terveyteen, jos niitä ei hävitetä ympäristöstävällisesti. Poista mahdolliset henkilökohtaiset tiedot hävitettävästä laitteesta.



Jännite



Tasavirta



Kuormittamaton kierros-luku



Sahanterän ø x reiän ø



Euroopan säännönmukaisuusmerkki



Britannian säännönmukaisuusmerkki



Ukrainan säännönmukaisuusmerkki



Euraasian säännönmukaisuusmerkki

Τεχνικά στοιχεία ΣΤΑΘΕΡΟ ΔΙΣΚΟΠΡΙΟΝΟ	M18 SMS216
Αριθμός παραγωγής	4745 85 04... ... 000001-999999
Αριθμός στροφών χωρίς φορτίο	2700 min ⁻¹
Τάση ανταλλακτικής μπαταρίας	18V ---
Διάμετρος λεπίδας πριονιού x διάμετρος διάτρησης	216 x 30 mm
Πάχος πριονοδίσκου	1,5 mm
Πλάτος τομής Μέγ. Φαλτογωνία 0°/ Κλίση 0° Φαλτογωνία 45°/ Κλίση 0° Φαλτογωνία 0°/ Κλίση 45° Φαλτογωνία 45°/ Κλίση 45°	60 x 270 mm 60 x 190 mm 48 x 270 mm 48 x 190 mm
Ελάχιστες διαστάσεις του ακατέργαστου υλικού	130 x 35 x 2 mm
Συνιστώμενη θερμοκρασία περιβάλλοντος για τη λειτουργία	-5°C - +40°C
Συνιστώμενη δέσμη συσσωρευτών	M18B..., M18HB...
Συνιστώμενη συσκευή φόρτισης	M12-18..., M1418 C6
Βάρος σύμφωνα με τη διαδικασία EPTA 01/2014	14,5 kg
Η ακτινοβολία λέιζερ που χρησιμοποιείται σε αυτό το πριόνι είναι Κατηγορίας II με μέγιστη τιμή P ≤ 1mW και μήκη κύματος λ: 620 ~ 660 nm.	
Πληροφορίες θορύβου Τιμές μέτρησης εξακριβωμένες κατά EN 62841. Η σύμφωνη με την καμπύλη A εκτιμηθείσα στάθμη θορύβου του μηχανήματος αναφέρεται σε: Στάθμη ηχητικής πίεσης (Ανασφάλεια K=3dB(A)) Στάθμη ηχητικής ισχύος (Ανασφάλεια K=3dB(A)) Φοράτε προστασία ακοής (ωτασπίδες)!	91,8 dB (A) 105 dB (A)

ΠΡΟΕΙΔΟΠΟΙΗΣΗ

Η δεδομένη σ' αυτό το πληροφοριακό δελτίο τιμή εκπομπής θορύβου έχει υπολογιστεί σύμφωνα με μια τυποποιημένη στο πρότυπο EN 62841 διαδικασία δοκιμής και μπορεί να χρησιμοποιείται για τη σύγκριση εργαλείων. Αυτή ενδέχεται επίσης και για μια προσωρινή εκτίμηση της επιβάρυνσης.

Η δεδομένη τιμή εκπομπής θορύβου αντιπροσωπεύει την κύρια εφαρμογή του εργαλείου. Ωστόσο μπορεί να διαφέρει η τιμή εκπομπής θορύβου, όταν το εργαλείο χρησιμοποιείται για άλλες εφαρμογές ή με διαφορετικά εξαρτήματα ή δεν συντηρείται επαρκώς. Αυτό μπορεί να αυξήσει την επιβάρυνση καθ' όλη τη διάρκεια της εργασίας σημαντικά.

Για μια ακριβή εκτίμηση της ηχητικής επιβάρυνσης θα πρέπει να λαμβάνονται υπόψη και τα χρονικά διαστήματα, κατά τα οποία είναι το εργαλείο απενεργοποιημένο ή να μην λειτουργεί, αλλά δεν είναι πραγματικά σε χρήση. Αυτό μπορεί να μειώσει την επιβάρυνση καθ' όλη τη διάρκεια της εργασίας σημαντικά.

Για την προστασία του χειριστή από την επίδραση του θορύβου καθορίστε επιπρόσθετα μέτρα ασφαλείας, όπως για παράδειγμα: συντήρηση του εργαλείου και των προσαρτώμενων εξαρτημάτων και οργάνωση των διαδικασιών διεξαγωγής των εργασιών. Φοράτε ωτασπίδες. Η επίδραση του θορύβου μπορεί να προκαλέσει απώλεια ακοής.



ΠΡΟΕΙΔΟΠΟΙΗΣΗ Διαβάστε όλες τις υποδείξεις ασφαλείας, τις οδηγίες, τις εικόνες και τα δεδομένα, τα οποία θα λάβετε μαζί με το μηχάνημα. Η μη τήρηση των οδηγιών που ακολουθούν, μπορεί να οδηγήσει σε ηλεκτροπληξία, φωτιά και/ή σε σοβαρούς τραυματισμούς. **Φυλάξτε όλες τις προειδοποιητικές υποδείξεις και οδηγίες για κάθε μελλοντική χρήση.**



ΟΔΗΓΙΕΣ ΑΣΦΑΛΕΙΑΣ ΓΙΑ ΦΑΛΤΣΟΠΡΙΟΝΑ

a) Τα φαλτοπριόνα προορίζονται για την κοπή ξύλου ή προϊόντων απομίμησης ξύλου και δεν επιτρέπεται να χρησιμοποιούνται σε συνδυασμό με τροχούς λείανσης για την επεξεργασία σιδηρούχων υλικών, όπως ράβδων, ντιζών, δοκών κ.λπ. Η σκόνη από τη λείανση προκαλεί εμπλοκή σε κινητά μέρη, όπως στον παλινδρομικό προφυλακτήρα. Οι σπινθήρες από τη λείανση μπορεί να κάψουν τον παλινδρομικό προφυλακτήρα, το ένθετο εγκοπής στην πλάκα στήριξης και άλλα πλαστικά μέρη.

b) Χρησιμοποιήστε σφικτήρες, όπου είναι δυνατά, για να ακινητοποιήσετε το προς κατεργασία τεμάχιο. Αν ακινητοποιήσετε το προς κατεργασία τεμάχιο με το χέρι, βεβαιωθείτε ότι το χέρι σας βρίσκεται πάντα σε απόσταση τουλάχιστον 100 mm από την κάθε πλευρά του πριονοδίσκου. Μην χρησιμοποιείτε αυτό το φαλτοπριόνο για την κοπή πολύ μικρών τεμαχίων που δεν μπορούν να συγκρατηθούν με ασφάλεια με σφικτήρες ή με το χέρι. Αν το χέρι σας βρίσκεται πολύ κοντά στον πριονοδίσκο, υπάρχει αυξημένος κίνδυνος τραυματισμού από την επαφή με το δίσκο.

c) Το προς κατεργασία τεμάχιο πρέπει να είναι ακινητοποιημένο και συγκρατημένο με σφικτήρες ή με το χέρι κόντρα, τόσο στη ράγα οδήγησης όσο και στην πλάκα στήριξης. Μην κόβετε, προωθώντας το τεμάχιο προς το δίσκο ή χωρίς να το συγκρατείτε με κάποιο τρόπο. Τα μη πλήρως ακινητοποιημένα τεμάχια μπορεί να εκσφενδονιστούν με μεγάλη ταχύτητα, προκαλώντας τραυματισμούς.

d) Ωθήστε τον πριονοδίσκο για να διαπεράσει το προς κατεργασία τεμάχιο. Μην κόβετε το προς κατεργασία

τεμάχιο με έλξη του πριονόδισκου. Για να πραγματοποιήσετε μια κοπή, ανασηκώστε και έλξτε την κεφαλή του φάλτσοπριονου προς τα έξω, επάνω από το προς κατεργασία τεμάχιο, χωρίς να κόψετε. Ενεργοποιήστε τον κινητήρα, πιέστε την κεφαλή του φάλτσοπριονου προς τα κάτω και ωθήστε την, ώστε ο δίσκος να διαπεράσει το τεμάχιο. Αν κόψετε με έλξη του πριονόδισκου προς το τεμάχιο, είναι πιθανό ο δίσκος να καθυστερήσει να περάσει το τεμάχιο και η διάταξη του δίσκου να εκσφενδονιστεί με μεγάλη ταχύτητα προς το μέρος του χειριστή.

e) **Μην τοποθετείτε ποτέ το χέρι σας επάνω από τη γραμμική κοπή, είτε μπροστά είτε πίσω από τον πριονόδισκο.** Μην εργάζεστε με τα χέρια σταυρωτά, συγκρατώντας δηλαδή το προς κατεργασία τεμάχιο από τη δεξιά πλευρά του πριονόδισκου με το αριστερό χέρι ή αντίστροφα, γιατί είναι εξαιρετικά επικίνδυνο.

f) **Κατά τη διάρκεια που ο δίσκος περιστρέφεται, μη βάζετε τα χέρια πίσω από τη ράγα οδήγησης σε απόσταση μικρότερη των 100 mm από το δίσκο, προκειμένου να απομακρύνετε ξέσματα ξύλου ή για οποιονδήποτε άλλο λόγο.** Η απόσταση μεταξύ του περιστρεφόμενου πριονόδισκου και του χεριού σας μπορεί να μην είναι εμφανής και να τραυματιστείτε σοβαρά.

g) **Πριν την κοπή επιθεωρήστε το προς κατεργασία τεμάχιο. Αν το προς κατεργασία τεμάχιο είναι κυρτωμένο ή στρεβλωμένο, συσφίξτε το, με την εξωτερική κυρτωμένη πλευρά να είναι στραμμένη προς τη ράγα οδήγησης. Να βεβαιώνετε πάντα ότι δεν υπάρχει κενό μεταξύ του προς κατεργασία τεμαχίου, της ράγας οδήγησης και της πλάκας στήριξης, κατά μήκος της γραμμής κοπής.** Κυρτωμένα ή στρεβλωμένα προς κατεργασία τεμάχια μπορεί να περιστραφούν ή να μετατοπιστούν και να προκαλέσουν εμπλοκή στον πριονόδισκο κατά την κοπή. Δεν πρέπει να υπάρχουν καρφιά ή άλλα ξένα σώματα μέσα στο προς κατεργασία τεμάχιο.

h) **Μη χρησιμοποιήσετε το φάλτσοπρίο προτού απομακρύνετε από την πλάκα στήριξης όλα τα εργαλεία, ξέσματα ξύλου κ.λπ., εκτός από το προς κατεργασία τεμάχιο.** Μικρά θραύσματα ή ελεύθερα κομμάτια ξύλου, καθώς και άλλα αντικείμενα, μπορεί να εκσφενδονιστούν με μεγάλη ταχύτητα, αν έρθουν σε επαφή με τον περιστρεφόμενο δίσκο.

i) **Κόβετε μόνο ένα τεμάχιο κάθε φορά.** Πολλάπλά στοιβαγμένα προς κατεργασία τεμάχια δεν μπορούν να συσφιχθούν και να στερεωθούν επαρκώς επάνω στην πλάκα στήριξης και μπορεί να εμπλακούν στο δίσκο ή να μετατοπιστούν κατά την κοπή.

j) **Βεβαιωθείτε πριν τη χρήση ότι το φάλτσοπρίο είναι βιδωμένο ή τοποθετημένο επάνω σε μια επίπεδη και σταθερή επιφάνεια εργασίας.** Η επίπεδη και σταθερή επιφάνεια εργασίας μειώνει τον κίνδυνο αστάθειας στο φάλτσοπρίο.

k) **Σχεδιάστε την εργασία σας. Κάθε φορά που αλλάξετε τη ρύθμιση της γωνίας λοξοτομής ή φάλτσοτομής, βεβαιωθείτε ότι η ρυθμιζόμενη ράγα οδήγησης είναι ρυθμισμένη σωστά, ώστε να υποστηρίζει το προς κατεργασία τεμάχιο, χωρίς να παρεμβάλλεται στη διαδρομή του δίσκου ή των προφυλακτικών. Χωρίς να ενεργοποιήσετε το εργαλείο και χωρίς κανένα προς κατεργασία τεμάχιο επάνω στην πλάκα στήριξης, πραγματοποιήστε μια πλήρη προσομοίωση κοπής, οδηγώντας τον πριονόδισκο σε ολοκληρωτή τη διαδρομή του, ώστε να βεβαιωθείτε ότι δεν υπάρχει παρεμβολή ή κίνδυνος να κόψετε τη ράγα οδήγησης.**

l) **Παρέχετε επαρκή υποστήριξη σε ένα προς κατεργασία τεμάχιο, που είναι πλατύτερο ή μακρύτερο από την πλάκα στήριξης, χρησιμοποιώντας προεκτάσεις στήριξης, καβαλέτα κ.λπ.** Προς κατεργασία τεμάχια, που είναι πλατύτερα ή μακρύτερα από την πλάκα στήριξης του φάλτσοπριονίου, μπορεί να ανατραπούν αν δεν είναι ασφαλώς υποστηριγμένα. Αν το αποκομμένο ή το προς κατεργασία τεμάχιο ανατραπεί, μπορεί να ανασηκώσει τον παλινδρομικό προφυλακτήρα ή να εκσφενδονιστεί εξαιτίας του περιστρεφόμενου δίσκου.

m) **Μη χρησιμοποιείτε άλλα πρόσωπα αντί για προεκτάσεις ή άλλα κατάλληλα μέσα για την πρόσθετη στήριξη του τεμαχίου.** Η ασταθής υποστήριξη του προς κατεργασία τεμαχίου μπορεί να οδηγήσει σε εμπλοκή του πριονόδισκου ή σε μετατόπιση του τεμαχίου κατά τη διάρκεια της λειτουργίας κοπής, έλκοντας εσάς και το βοηθό σας προς το μέρος του περιστρεφόμενου δίσκου.

n) **Το αποκομμένο τεμάχιο δεν πρέπει σε καμία περίπτωση να μαγκώσει μέσα στον περιστρεφόμενο πριονόδισκο ή γενικά να πιέζεται με οποιονδήποτε τρόπο κόντρα σε αυτόν.** Αν το αποκομμένο τεμάχιο περιορίζεται, π.χ. από οδηγούς μήκους, μπορεί να σφηνωθεί στο δίσκο και να εκσφενδονιστεί με μεγάλη ταχύτητα.

o) **Να χρησιμοποιείτε πάντα σφινκτρές ή προσαρμογείς ειδικά σχεδιασμένους για την κατάλληλη υποστήριξη κυλινδρικών τεμαχίων, όπως ραβδών ή σωλήνων.** Οι ραβδοί έχουν την τάση να κυλούν κατά τη διάρκεια της κοπής, με συνέπεια ο δίσκος να «μασάει» το υλικό και να το έλκει μαζί με το χέρι σας προς το μέρος του.

p) **Περιμένετε μέχρι ο δίσκος να αναπτύξει πλήρη ταχύτητα περιστροφής πριν τον φέρετε σε επαφή με το προς κατεργασία τεμάχιο.** Αυτό μειώνει τον κίνδυνο εκσφενδονισμού του τεμαχίου.

q) **Σε περίπτωση εμπλοκής στο προς κατεργασία τεμάχιο ή στο δίσκο, απενεργοποιήστε το φάλτσοπρίο. Περιμένετε μέχρι να ακινητοποιηθούν όλα τα κινητά μέρη και αποσυνδέστε το εργαλείο από την παροχή ρεύματος και/ή αφαιρέστε την μπαταρία. Στη συνέχεια, αφαιρέστε το σφηνωμένο υλικό.** Αν συνεχίσετε να κόβετε με ένα σφηνωμένο υλικό, μπορεί να χάσετε τον έλεγχο του εργαλείου ή να προκληθεί βλάβη στο φάλτσοπρίο.

r) **Μετά το τέλος της κοπής, απελευθερώστε το διακόπτη, κρατήστε την κεφαλή του δίσκου κάτω και περιμένετε, μέχρι ο δίσκος να ακινητοποιηθεί προτού αφαιρέσετε το αποκομμένο τεμάχιο.** Η προσέγγιση του χεριού σας κοντά στο δίσκο ενέχει κίνδυνο.

s) **Κρατάτε τη λαβή σταθερά όταν εκτελείτε μια ημιτελή κοπή ή όταν απελευθερώνετε το διακόπτη, πριν η κεφαλή του δίσκου βρεθεί στην τελική κάτω θέση.** Το φρενάρισμα της κίνησης του δίσκου μπορεί να προκαλέσει την απότομη έλξη της κεφαλής του δίσκου προς τα κάτω, με κίνδυνο τραυματισμού.

Περαιτέρω οδηγίες ασφαλείας και χρήσεως

Φοράτε έναν κατάλληλο για σας προστατευτικό εξοπλισμό και πάντοτε προστατευτικά γυαλιά. Όταν φοράτε έναν κατάλληλο προστατευτικό εξοπλισμό όπως μάσκα προστασίας από σκόνη, αντιολισθητικά υποδήματα ασφαλείας, προστατευτικό κράνος ή ιασιπίδες, ανάλογα με εκάστοτε εργαλείο και τη χρήση του, ελαττώνεται ο κίνδυνος τραυματισμού.

Φοράτε ωτοασπίδες. Η επίδραση του θορύβου μπορεί να προκαλέσει απώλεια ακοής.

Η δημιουργούμενη κατά την εργασία σκόνη είναι συχνά επιβλαβής για την υγεία και δεν πρέπει να έρχεται σε επαφή με το σώμα. Χρησιμοποιείτε μια διάταξη αναρρόφησης της σκόνης και φοράτε επιπλέον μια κατάλληλη προσώπια προστασίας από τη σκόνη. Απομακρύνετε επιμελώς τη μαζεμένη σκόνη, π.χ. με αναρρόφηση. Συνδέστε το πριόνι σε συσκευή απορρόφησης σκόνης όταν πριονίζετε ξύλο.

Πριν την χρήση της συσκευής για πρώτη φορά συνιστάται να διαβάσετε προσεκτικά τις οδηγίες χρήσης και να ζητήσετε να σας περιγράψουν τον χειρισμό της συσκευής.

Να σιγουρεύεστε πως η μηχανή είναι σταθερή (π.χ. στερέωση στον πάγκο εργασίας).

Το δάπεδο να διατηρείται ελεύθερο από κατάλοιπα υλικών, π.χ. ροκανίδια κλπ.

Μη χρησιμοποιείτε ελαττωματικές ή στρεβλωμένες πριονολάμες.

Οι λεπίδες πριονιού, που δεν αντιστοιχούν με τα χαρακτηριστικά στοιχεία σε αυτές τις οδηγίες χρήσης, δεν επιτρέπεται να χρησιμοποιηθούν.

Επιτρέπεται να χρησιμοποιούνται μόνο εξαρτήματα, που ανταποκρίνονται στο πρότυπο EN 847-1.

Δεν χρησιμοποιείτε πριονοδίσκους κατασκευασμένους από ταχυαχάλβα.

Επιλέξτε ένα κατάλληλο πριονοδίσκο για το υλικό που θέλετε να κόψετε.

Ο επιτρεπτός αριθμός στροφών του ανταλλακτικού εξαρτήματος πρέπει να είναι τουλάχιστον τόσο υψηλός όσο ο μέγιστος αριθμός στροφών που αναφέρεται επάνω στο ηλεκτρικό εργαλείο. Εξαρτήματα τα οποία περιστρέφονται με ταχύτητα μεγαλύτερη από την επιτρεπτή, ενδέχεται να σπασούν και να εκσφενδονιστούν.

Τα εργαλεία πρέπει να μεταφέρονται και να φυλάγονται σε ένα κατάλληλο δοχείο

Χρησιμοποιείτε μόνο τις εμπεριεχόμενες και τις απεικονιζόμενες στις οδηγίες χειρισμού φλάντζες για τη στερέωση του πριονοδίσκου.

Δεν χρησιμοποιείτε το φάλτσοπρίο για την κοπή διαφορετικών υλικών, από αυτά που αναφέρονται στις οδηγίες χειρισμού.

Να χρησιμοποιείτε το φάλτσοπρίο μόνο με καλά λειτουργούν και καλά συντηρημένο προστατευτικό κάλυμμα. Το προστατευτικό κάλυμμα πρέπει να πηγαίνει αυτόματα προς τα πίσω.

Μην απομακρύνετε υπολείμματα πριονίσματος ή άλλα τμήματα του κατεργασθέντος αντικείμενου από την περιοχή πριονίσματος όταν λειτουργεί η μηχανή και δεν έχει ακινητοποιηθεί η κεφαλή του πριονιού.

Μην απλώνετε τα χέρια σας στην επικίνδυνη περιοχή της μηχανής όταν είναι σε λειτουργία.

Χρησιμοποιείτε οπωσδήποτε τη διάταξη προστασίας της μηχανής. Σφάλματα στη μηχανή, συμπεριλαμβανομένης της προστατευτικής διάταξης ή των πριονοδίσκων, πρέπει μόλις αυτά γίνουν αντιληπτά, να δηλωθούν στον υπεύθυνο ασφαλείας.

Το κινητό προστατευτικό κάλυμμα δεν επιτρέπεται να ασφαλιστεί στην ανοιχτή κατάσταση.

Τεμάχια κατεργασίας μεγάλου μήκους πρέπει να στηρίζονται κατάλληλα.

Εκτελείτε τη μεταφορά του φάλτσοπριονίου μόνο με τοποθετημένη την ασφαλεία μεταφοράς στη χειρολαβή.

Κατά την εκτέλεση οδηγούμενης κοπής ξύλου, κοπής ξύλου υπό γωνία και σύνθετες οδηγούμενες κοπές ξύλου, ρυθμίστε το σύρσιμο φράχτη για να εξασφαλιστεί η σωστή απόσταση από τη λεπίδα.

Αποφύγετε υπερθέρμανση των δοντιών της λάμας του πριονιού και λιώσιμο του υλικού που κόβετε αν πρόκειται για πλαστικό ρυθμιζοντας την ταχύτητα του πριονιού.

Το ένθετο εργαλείο είναι αιχμηρό και μπορεί να ζεσταίνεται πολύ κατά τη διάρκεια της εφαρμογής.

ΠΡΟΣΟΧΗ! Κίνδυνος κοψίματος και εκγύαματος

-κατά το χειρισμό των ένθετων εργαλείων

-κατά την απόθεση της συσκευής

Κατά το χειρισμό των ένθετων εργαλείων να φοράτε προστατευτικά γάντια.

Ακόμα και σε περίπτωση ορθής χρήσης του προϊόντος δεν μπορούν να αποκλειστούν λοιποί κίνδυνοι. Κατά τη χρήση μπορούν να παρουσιαστούν οι ακόλουθοι κίνδυνοι, για αυτόν τον λόγο ο χειριστής πρέπει να προσέξει τα παρακάτω:

- Για να αποφευχθεί βλάβη της ακοής πρέπει να περιοριστεί ο χρόνος έκθεσης και να χρησιμοποιούνται προστατευτικά μέσα της ακοής.
- Για τη μείωση των κινδύνων υγείας που μπορούν να προκύψουν από την εισπνοή πριονιδιών πρέπει να χρησιμοποιείται προστατευτική μάσκα αναπνοής.

ΛΕΙΖΕΡ

Μην κοιτάτε στην έξοδο της ακτίνας λέιζερ και μην κατευθύνετε επάνω σε άλλα άτομα.

Μην κοιτάτε στην έξοδο της ακτίνας λέιζερ με οπτικά βοηθητικά όργανα (κιάλια, τηλεσκόπιο).

Μην κατευθύνετε την ακτίνα λέιζερ επάνω σε αντανακλαστικές επιφάνειες.

Μην εκτίθεστε στην ακτινοβολία λέιζερ. Το λέιζερ μπορεί να εκπέμπει ισχυρή ακτινοβολία.

Μην αντικαταστήσετε τ ενσωματωμέν λέιζερ με ένα άλλ λέιζερ διαφορετικού τύπου. Επισκευές επιτρέπεται να πραγματοποιηθούν μόνο από εξουσιοδοτημένους τεχνικούς της Εξυπηρέτησης Πελατών.

ΧΡΗΣΗ ΣΥΜΦΩΝΑ ΜΕ ΤΟ ΣΚΟΠΟ ΠΡΟΟΡΙΣΜΟΥ

Το φάλτσοπρίο προορίζεται για ξύλα μασσוף, για κολλημένα ξύλα, για υλικά παρόμοια με ξύλο και για πλαστικά.

Δεν επιτρέπεται το κόψιμο αντικειμένων με στρογγυλή ή όχι ομοιόμορφη διατομή (π.χ. καουσόξυλα), διότι δεν συγκρατούνται καλά κατά το πριόνισμα. Όταν κόβετε όρθια αντικείμενα που είναι σχετικά λεπτά, να υπάρχει βοηθητικός οδηγός για ασφαλή καθοδήγηση.

ΛΟΙΠΟΙ ΚΙΝΔΥΝΟΙ

Ακόμα και σε περίπτωση ορθής χρήσης του προϊόντος δεν μπορούν να αποκλειστούν λοιποί κίνδυνοι. Κατά τη χρήση μπορούν να παρουσιαστούν οι ακόλουθοι κίνδυνοι, για αυτόν τον λόγο ο χειριστής πρέπει να προσέξει τα παρακάτω:

- Τραυματισμοί που προκύπτουν από δονήσεις. Να κρατάτε το μηχάνημα από τις προβλεπόμενες για το σκοπό αυτό χειρολαβές και να περιορίζετε το χρόνο εργασίας και έκθεσης.
- Η ηχορύπανση μπορεί να οδηγήσει σε ακουστικά τραύματα. Να φοράτε προστατευτικά ακοής και να περιορίζετε τη διάρκεια έκθεσης.
- Τραυματισμοί των οφθαλμών που προκύπτουν από ρυπαρόνα σωματίδια. Να φοράτε πάντα προστατευτικά γυαλιά, μακρού, ενισχυμένο παντελόνι και ενισχυμένα υποδήματα.
- Εισπνοή δηλητηριώδους σκόνης.

ΔΗΛΩΣΗ ΠΙΣΤΟΤΗΤΑΣ ΕΚ

Δηλώνουμε με αποκλειστική μας ευθύνη, ότι το προϊόν που περιγράφεται στα «Τεχνικά Χαρακτηριστικά» συμμορφώνεται με όλες τις σχετικές διατάξεις των οδηγιών

2011/65/EU, (EU) 2015/863 (RoHS)

2006/42/EC

2014/30/EU

και έχουν εφαρμοστεί τα ακόλουθα εναρμονισμένα πρότυπα έχουν χρησιμοποιηθεί

EN 62841-1:2015+A11:2022

EN IEC 62841-3-9:2020+A11:2020

EN IEC 55014-1:2021

EN IEC 55014-2:2021

EN IEC 63000:2018



Winnenden, 2022-12-12

Alexander Krug / Managing Director

Εξουσιοδοτημένος να συντάξει τον τεχνικό φάκελο.

Techtronic Industries GmbH

Max-Eyth-Straße 10, 71364 Winnenden, Germany

ΜΠΑΤΑΡΙΕΣ

Επαναφορτίζετε τις ανταλλακτικές μπαταρίες που δεν έχουν χρησιμοποιηθεί για μεγαλύτερο χρονικό διάστημα πριν τη χρήση. Μία θερμοκρασία πάνω από 50°C μειώνει την ισχύ της ανταλλακτικής μπαταρίας. Αποφεύγετε τη θέρμανση για μεγαλύτερο χρονικό διάστημα από τον ήλιο ή τις συσκευές θέρμανσης.

Διατηρείτε τις επαφές σύνδεσης στο φορτιστή και στην ανταλλακτική μπαταρία καθαρές.

Για μια άριστη διάρκεια ζωής πρέπει μετά τη χρήση οι μπαταρίες να φορτιστούν πλήρως.

Για μια κατά το δυνατόν μεγάλη διάρκεια ζωής οι μπαταρίες μετά τη φόρτιση οφείλουν να αφαιρεθούν από το φορτιστή.

Για την αποθήκευση της μπαταρίας για διάστημα μεγαλύτερο των 30 ημερών: Αποθηκεύετε το πακέτο μπαταρίας σε χώρο με θερμοκρασία μικρότερη από 27 °C και χωρίς υγρασία Αποθηκεύετε τη μπαταρία περ. στο 30%-50% της κατάστασης φόρτισης.

ΜΕΤΑΦΟΡΑ ΤΩΝ ΜΠΑΤΑΡΙΩΝ ΙΟΝΤΩΝ ΛΙΘΙΟΥ

Μεταφορά των μπαταριών ιόντων λιθίου

Η μεταφορά τέτοιων μπαταριών πρέπει να πραγματοποιείται τηρώντας τους τοπικούς, εθνικούς και διεθνείς κανονισμούς και τις αντίστοιχες διατάξεις.

Επιτρέπεται η μεταφορά τέτοιων μπαταριών στο δρόμο χωρίς περαιτέρω απαιτήσεις.

Η εμπορική μεταφορά μπαταριών ιόντων λιθίου από εταιρείες μεταφορών υπόκειται στις απαιτήσεις των νομικών διατάξεων για την μεταφορά επικινδύνων εμπορευμάτων. Οι προετοιμασίες αποστολής και η μεταφορά πραγματοποιούνται αποκλειστικά από ειδικά εκπαιδευμένα πρόσωπα. Η συνολική διαδικασία συνοδεύεται από εξειδικευμένο προσωπικό.

Κατά τη μεταφορά μπαταριών ιόντων λιθίου πρέπει να προσέχετε τα εξής:

Φροντίστε τα σημεία επαφών να είναι προστατευμένα και μονωμένα ώστε να αποφευχθούν βραχυκυκλώματα. Προσέξτε το πακέτο μπαταριών να είναι σταθερό μέσα στη συσκευασία και να μη γλιστρά. Η μεταφορά

μπαταριών που παρουσιάζουν φορτές ή διαρροές δεν επιτρέπεται. Για περισσότερες πληροφορίες απευθυνθείτε στην εταιρεία μεταφορών.

ΠΡΟΣΤΑΣΙΑ ΥΠΕΡΦΟΡΤΩΣΗΣ ΤΗΣ ΜΠΑΤΑΡΙΑΣ

Σε περίπτωση υπερφόρτισης συσσωρευτή μέσω πολύ υψηλής κατανάλωσης ρεύματος, π.χ. υπερβολικά υψηλή ροπή στρέψεως, μάγκωμα του έμβητου εργαλείου, ξαφνικό σταμάτημα ή βραχυκύκλωμα, σταματά το ηλεκτρικό εργαλείο για 2 δευτερόλεπτα και απενεργοποιείται αυτόματα. Για να πραγματοποιήσετε επαναφορά, αφαιρέστε το πακέτο συσσωρευτών από το εργαλείο και αντικαταστήστε το. Κάτω από ακραίες καταπονήσεις θερμαίνεται πάρα πολύ η μπαταρία. Στην περίπτωση αυτή αναβοσβήνουν όλες οι λάμπες της ένδειξης φόρτισης μέχρι να έχει κρυώσει η μπαταρία. Μετά το σβήσιμο της ένδειξης φόρτισης μπορεί να συνεχιστεί η συνεργασία. Τοποθετείτε στη συνέχεια τη μπαταρία στη συσκευή φόρτισης για να τη φορτίσετε πάλι και να την ενεργοποιήσετε.

ΣΥΝΤΗΡΗΣΗ

Πριν από κάθε εργασία στη μηχανή αφαιρέστε την ανταλλακτική μπαταρία.

Αποσυνδέετε το εργαλείο από το ρεύμα πριν τοποθετήσετε ή αφαιρέσετε την λεπίδα κόπτη.

Να αντικαθίσταται το φθαμένο έμβητο του πάγκου.

Καθαρίζετε την συσκευή και τον εξοπλισμό προστασίας με ένα στεγνό πανί.

Διατηρείτε πάντοτε τις σχισμές εξαερισμού της μηχανής καθαρές.

Χρησιμοποιείτε μόνο αξεσουάρ Milwaukee και ανταλλακτικά Milwaukee. Εξαρτήματα, που η αλλαγή τους δεν περιγράφεται, αντικαθίστανται σε μια τεχνική υποστήριξη της Milwaukee (βλέπε φυλλάδιο εγγύηση/διευθύνσεις τεχνικής υποστήριξης).

Όταν χρειάζεται, μπορείτε να ζητήσετε ένα σχέδιο συναρμολόγησης της συσκευής, δίνοντας τον τύπο της μηχανής και αριθμό στην πινακίδα ισχύος, από το κέντρο σέρβις ή απευθείας από τη firma Techtronic Industries GmbH, Max-Eyth-Straße 10, 71364 Winnenden, Germany.

ΣΥΜΒΟΛΑ



ΠΡΟΣΟΧΗ! ΠΡΟΕΙΔΟΠΟΙΗΣΗ! ΚΙΝΔΥΝΟΣ!



Πριν από κάθε εργασία στη μηχανή αφαιρέστε την ανταλλακτική μπαταρία.



Παρακαλώ διαβάστε σχολαστικά τις οδηγίες χρήσης πριν από την έναρξη λειτουργίας.



Στις εργασίες με τη μηχανή φοράτε πάντοτε προστατευτικά γυαλιά.



Φοράτε προστασία ακοής (ωτασπίδες)!



Να φοράτε προστατευτικά γάντια!



Ποτέ μη βάζετε τα χέρια σας στην περιοχή της προιολάμας.



Η μηχανή να μην εκτίθεται σε βροχή.



Αυτό το προϊόν περιέχει ένα καταναλωτικό προϊόν λείζερ κατηγορίας 2 σύμφωνα με

EN 60825-1:2014+A11:2021 και EN 50689:2021.

Μην κοιτάζετε στην έξοδο της ακτίνας λείζερ



Απόβλητα ηλεκτρικών στηλών και ηλεκτρικού και ηλεκτρονικού εξοπλισμού δεν επιτρέπεται να απορρίπτονται μαζί με τα οικιακά απορρίμματα. Απόβλητα ηλεκτρικών στηλών και ηλεκτρικού και ηλεκτρονικού εξοπλισμού πρέπει να συλλέγονται και να απορρίπτονται ξεχωριστά. Πριν την απόρριψη να αφαιρέσετε ηλεκτρικές στήλες, συσσωρευτές και λαμπτήρες από τον εξοπλισμό. Ενημερωθείτε από τις τοπικές υπηρεσίες ή από ειδικευμένους εμπόρους σχετικά με κέντρα ανακύκλωσης και συλλογής απορριμμάτων. Ανάλογα με τους τοπικούς κανονισμούς μπορεί να είναι οι έμποροι λιανικής πώλησης υποχρεωμένοι, να παίρνουν πίσω απόβλητα ηλεκτρικών στηλών και ηλεκτρικού και ηλεκτρονικού εξοπλισμού δωρεάν. Συμβάλλετε κι εσείς μέσω επαναχρησιμοποίησης και ανακύκλωσης των αποβλήτων των ηλεκτρικών στηλών, και του ηλεκτρικού και ηλεκτρονικού εξοπλισμού σας στη μείωση της ζήτησης πρώτων υλών. Απόβλητα ηλεκτρικών στηλών (προπαντός ηλεκτρικών στηλών ιόντων λιθίου) και ηλεκτρικού και ηλεκτρονικού εξοπλισμού περιέχουν πολύτιμες, επαναχρησιμοποιήσιμες ύλες που μπορεί να βλάπτουν το περιβάλλον και την υγεία σας κατά τη μη περιβαλλοντικώς ορθή διάθεσή τους. Πριν την απόρριψη να διαγράφετε δεδομένα προσωπικού χαρακτήρα που πιθανόν να υπάρχουν στα απόβλητα του εξοπλισμού σας.

V Τάση

--- Συνεχές ρεύμα

n₀ Αριθμός στροφών χωρίς φορτίο



Διάμετρος λεπίδας προιου x διάμετρος διάτρησης



Ευρωπαϊκό σήμα πιστότητας



Βρετανικό σήμα πιστότητας



Ουκρανικό σήμα πιστότητας



Ευρασιατικό σήμα πιστότητας



Ευρασιατικό σήμα πιστότητας

Teknik veriler Çekme kapaklı ve çapraz testere	M18 SMS216
Üretim numarası	4745 85 04... ... 000001-999999
Boşta ki devir sayısı	2700 min ⁻¹
Kartuş akü gerilimi	18V ---
Testere bıçağı çapı x delik çapı	216 x 30 mm
Bıçkı levhası kalınlığı	1,5 mm
Kesme genişliği Maks. Gönye 0°/ Meyilde 0° Gönye 45°/ Meyilde 0° Gönye 0°/ Meyilde 45° Gönye 45°/ Meyilde 45°	60 x 270 mm 60 x 190 mm 48 x 270 mm 48 x 190 mm
Minimum iş parçası boyutu	130 x 35 x 2 mm
Çalıştırılması için tavsiye edilen ortam sıcaklığı	-5°C - +40°C
Tavsiye edilen güç paketleri	M18B..., M18HB...
Tavsiye edilen şarj aletleri	M12-18..., M1418 C6
Ağırlığı ise EPTA-üretici 01/2014'e göre	14,5 kg
Bu testerede kullanılan lazer radyasyonu maksimum P≤1mW ve λ: 620 ~ 660 nm dalga boylarına ve λ: lazer sınıfına sahiptir.	
Gürültü bilgileri Ölçüm değerleri EN 62841 e göre belirlenmektedir. Aletin, frekansa bağımlı uluslararası ses basıncı seviyesi değerlendirme eğrisi A'ya göre tipik gürültü seviyesi: Ses basıncı seviyesi (Tolerans K=3dB(A)) Akustik kapasite seviyesi (Tolerans K=3dB(A)) Koruyucu kulaklık kullanın!	91,8 dB (A) 105 dB (A)

UYARI

Bu bilgi broşüründe belirtilmiş olan ses emisyon değeri, EN 62841 standardında normlaştırılmış bir test yöntemine göre ölçülmüştür ve takımların birbirleriyle karşılaştırılması için kullanılabilir. Yüknün geçici olarak tahmin edilmesine de uygundur. Belirtilen ses emisyon değeri takımın başlıca olarak uygulamasını temsil etmektedir. Ancak takım başka uygulamalar için veya farklı aksesuarlarla kullanıldığında veya bakımı yetersiz yapılsa ses emisyon değeri farklı olabilir. Bu durum yükü bütün çalışma süresi için belirgin şekilde artırabilir. Ses yükünün tam olarak tahmin edilmesi için, takımın kapalı olduğu veya ağır olduğu, ancak takımla fiilen çalışılmadığı sürelerin de göz önünde bulundurulması gerekmektedir. Bu durum yükü bütün çalışma süresi için belirgin şekilde artırabilir. Kullanıcıyı ses etkisinden korumak için ek güvenlik tedbirleri belirleyiniz, örneğin: takımın ve aksesuarın bakımı ve iş süreçlerinin organizasyonu. Koruyucu kulaklık kullanın. Gürültü etkisi işitme kaybını etkiler.

UYARI Cihazla birlikte gelen tüm güvenlik uyarılarını, talimatları, çizimleri ve bilgileri okuyun. Aşağıdaki talimat hükümlerine uymadığınız takdirde elektrik çarpması, yangın veya ağır yaralanma tehlikesi ile karşılaşabilirsiniz. **Bütün uyarıları ve talimat hükümlerini ileride kullanmak üzere saklayın.**

GÖNYE TESTERELERİ İÇİN GÜVENLİK TALİMATLARI

a) Gönye testereleri aışap ve aışap benzeri ürünleri kesmek içindir; demir içeren mil, çubuk, saplama vb. gibi

- ürünleri kesmek amacıyla aşındırıcı kesme diskleriyle kullanılamaz. Aşındırıcı toz alt korkuluk gibi hareketli aksamın sıkışmasına neden olur. Aşındırıcı kesme işleminin doğuracağı kıvılcıklar alt korkuluk, kesme eklentisi ve diğer plastik aksamı yakar.
- b) İşlenecek parçayı desteklemek için mümkün olduğunca mengene kullanın. İşlenecek parçayı elle tutarken elinizin testere bıçağının her iki yüzünden en az 100 mm uzakta tutun. Mengeneyle ya da elle sıkıca kavranamayacak parçaları kesmek için bu testereyi kullanmayın. Eliniz testere bıçağına çok yaklaşırsa, bıçak teması nedeniyle yaralanma riski artar.
- c) İşlenecek parça sabit olmalı ya da hem korkuluğa hem de tezgaha dayanmalıdır. İşlenecek parçayı testereye beslemeyin ya da herhangi bir şekilde «serbest elle» kesmeyin. Sabitlenmemiş ya da hareketli parçalar yüksek hızla fırlatılabilir ve yaralanmaya neden olabilir.
- d) Testereyi işlenecek parçanın içine itin. Testereyi işlenecek parçanın içinden çekmeyin. Kesmek için, testere başını kaldırın ve kesmeden işlenecek parçanın üzerine doğru itin, motoru açın, testere başını aşağıya bastırıp testereyi işlenecek parçanın içine itin. Çekiş hareketi sırasında kesmek, testerenin işlenecek parçanın tepesine trmanmasını ve bıçak takımını operatöre doğru şiddetle fırlatmasına neden olabilir.
- e) Elinizi asla testere bıçağının önünde veya arkasındaki kesme hattının üzerine koymayın. İşlenecek parçayı «çapraz elle» desteklemek, diğer bir ifadeyle işlenecek parçayı sol elinizle testere bıçağının sağına doğru tutmak ya da bunun tam tersi, çok tehlikelidir.

- f) Bıçak dönerken, tahta artıklarını uzaklaştırmak ya da herhangi bir başka nedenle ellerinizden birini korkuluğun üzerinden, testere bıçağının iki yanına 100 mm'den fazla yaklaştırmayın. Dönen testere bıçağının elinize yakınlığı belli olmayabilir ve ciddi ölçüde yaralanabilirsiniz.
- g) Kesmeden önce, işlenecek parçayı kontrol edin. İşlenecek parça eğri ya da çarpıksa, eğik tarafı korkuluğa bakacak şekilde sıkıştırın. Her zaman kesme hattı boyunca işlenecek parça, korkuluk ve tezgah arasında boşluk olmamasını sağlayın. Eğik ya da çarpık parçalar dönüp kayabilir ve kesme sırasında dönen testere bıçağının bükülmesine neden olabilir. İşlenecek parçanın içinde çivi ya da yabancı madde bulunmamalıdır.
- h) Tezgahın işlenecek parça dışında her türlü alet, tahta artığı ve benzerlerinden temizlenmiş olması gerekir. Dönen bıçakla temas eden küçük tahta artıkları ve diğer cisimler çok yüksek hızla fırlatılabilir.
- i) Bir seferde sadece bir işlenecek parça kesin. Üst üste istiflenmiş işlenecek parçalar gerektiği gibi kenetlenip sabitlenemez, bıçağı bükülebilir ya da kesme sırasında kayabilir.
- j) Kullanmadan önce, gönye testeresinin düz ve sağlam bir çalışma yüzeyine yerleştirildiğinden emin olun. Düz ve sağlam bir çalışma yüzeyi gönye testeresinin dengesini yitirmesini engelleyebilir.
- k) İşinizi planlayın. Konik ya da gönye açısını değiştirdiğiniz her sefer, ayarlanabilir korkuluğun işlenecek parçayı desteklemek için gerektiği gibi ayarlandığından ve bıçağı ya da muhafaza sistemine müdahale etmediğinden emin olun. Aleti «AÇIK» konumuna getirmeden ve tezgaha işlenecek parça yerleştirmeden, korkuluğa müdahale ya da kesme tehlikesi bulunmadığından emin olmak için testere bıçağına eksiksiz bir kesme simülasyonu uygulayın.
- l) İşlenecek parçanın tezgah yüzeyinden daha geniş veya daha olası halinde tezgah uzatması, testere tezgahı gibi gerekli destekleri temin edin. Tezgah yüzeyinden daha uzun ya da daha geniş parçalar gerektiği gibi desteklenmezse devrilebilir. İşlenecek parçanın kesilmiş bölümü devrildiğinde, alt korkuluğu kaldırabilir ya da dönen bıçak tarafından fırlatılabilir.
- m) Tezgah uzatması ya da ilave destek yerine bir başka kişi kullanmayın. İşlenecek parçanın gerektiği gibi desteklenmemesi, kesme işlemi sırasında bıçağın bükülmesine ya da işlenecek parçanın kaymasına neden olarak sizi ve yardımcınızı dönen bıçağın içine çekebilir.
- n) Kesik parça asla dönen testere bıçağına sıkıştırılmamalı ya da bıçağı bastırılmamalıdır. Örneğin boy stoperleri kullanılarak kısıtlandığında, kesilen parça bıçağı sıkışıp şiddetle fırlatılabilir.
- o) Çubuk ve tüp gibi yuvarlak cisimleri gerektiği gibi desteklemek için her zaman bir mengene ya bu iş için geliştirilmiş bir tespit düzeneği kullanın. Çubuklar kesilirken yuvarlanma eğilimi göstererek, bıçağın «sırmasına» ve işlenecek parçanın elinize birlikte bıçağı çekilmesine neden olur.
- p) İşlenecek parçaya değdirmeden önce, bıçağın tam hızla ulaşmasını bekleyin. Böylesi bir davranış, işlenecek parçanın fırlatılma riskini azaltır.
- q) İşlenecek parçanın ya da bıçağın sıkışması halinde, gönye testeresini durdurun. Bütün hareketli parçaların durmasını

bekleyin ve fişi güç kaynağından çekin ve/veya pil paketini çıkarın. Sonra da sıkışan maddeyi kurtarmaya çalışın. Sıkışmış bir işlenecek parçayla kesmeyi sürdürmeye kontrol kaybına ya da gönye testeresinde hasara neden olabilir.

r) Kesme işlemini tamamladıktan sonra, anahtar serbest bırakın, testere başını aşağıya doğru tutun ve kesik parçayı kaldırmadan önce testereyi durmasını bekleyin. Yavaşlayan bıçağı elinizi yaklaştırmak tehlikelidir.

s) Tamamlanmamış bir kesme işlemi yapar ya da testere başı tümüyle aşağıya bakar konuma gelmeden önce anahtar serbest bırakırken tutamağı sıkıca kavrayın. Testerenin frenleme hareketi testere başını aniden aşağı yönde çekerek yaralanma riskine neden olabilir.

Ek güvenlik ve çalışma talimatları

Daima kişisel koruyucu donanım ve bir koruyucu gözlük kullanın. Elektrikli el aletinin türü ve kullanımına uygun olarak; toz maskesi, kaymayan iş ayakkabıları, koruyucu kask veya koruyucu kulaklık gibi koruyucu donanım kullanımı yaralanma tehlikesini azaltır. Koruyucu kulaklık kullanın. Gürültü etkisi işitme kaybını etkiler. Tahtalar uzun süre işlenirken veya sağlıklı zararlı toz çıkaran malzemeler profesyonel olarak işlenirken alet uygun bir toz emme donanımına bağlanmak zorundadır. Profesyonel kullanıcılar diğer malzemelere ilişkin hükümleri yetkili meslek kuruluşu ile açıklığa kavuşturmak zorundadır.

Aışap keserken testereyi bir elektrikli süpürgeye bağlayınız. Aleti ilk kez kullanıyorsanız, önce kullanım kılavuzunu dikkatle okumanızı ve deneyimli birinin gözetiminde biraz çalışmanızı öneririz. Daima makinenin durduğu yerin güvenli olmasını sağlayın (örneğin bir banka tutturun) Üzerinde malzeme artıkları bulunan zemini, örneğin talaş ve testere atıkları, boş bulundurun. Hasarlı veya şekli bozulmuş testere levhaları kullanmayın. Tanıtım verileri bu kullanım kılavuzunda belirtilmemiş tertere bıçaklarını kullanmayın. Yalnızca EN 847-1 normuna uygun takımların kullanılması gerekir. Seri çalışma çeliğinden mamul bıçkı levhaları kullanmayın. Kesilecek malzeme için uygun bıçkı levhası seçin. Kullanılan takımın izin verilen devri, en az elektrikli cihaz üzerinde yazılı azami devir kadar yüksek olmalıdır. İzin verilen daha hızlı dönen aksesuar kullanılabilir ve etrafa fırlayabilir. Takımların uygun bir kap içinde taşınması ve saklanması gerekir. Bıçkı levhasını, ekte bulunan ve kullanma talimatında belirtilen flaşa tutturarak kullanın. Başlıklı bıçkı makinesini, işletme talimatında belirtilmeyen başka bir malzeme için kullanmayın. Kapaklı testereyi sadece güvenli fonksiyonu bulunan ve bakımı iyi yapılmış koruyucu kask ile kullanın. Koruyucu kaskın kendiliğinden geriye doğru hareketli olması gerekir. Makine çalışırken ve testere kafası sakın bir şekilde durmuyorken, testere artıklarını ve testere sahasının tezgahlarındaki diğer parçaları kaldırmayın. Aletin tehlikeli olabilecek bölümlerini tutmayın. Aletin koruyucu donanımını mutlaka kullanın.

Emniyet tertibatı veya bıçkı levhaları da dahil olmak üzere makinede tespit edilen hatalar, emniyet önlemleri için sorumlu kişiye bildirilecektir.

Hareketli koruyucu kapağı açık pozisyonda sıkımayın.

Destekleme için uzun tezgah sopası uygundur.

Başlıklı bıçkı makinesini, sadece elle tutulacak yerindeki emniyetli ve nakil dayanıklı tertibat ile naklediniz.

Gönye, eğri ya da bileşik gönye kesme sırasında doğru bıçak mesafesini sağlamak için sürgülü kılavuzu ayarlayın.

Besleme hızını ayarlayarak testere diski dişlerinin aşırı ısınmasını ve plastik keserken malzemenin erimesini önleyiniz.

Uç keskin kenarlıdır ve kullanım sırasında ısınabilir.

İKAZ! Kesme ve yanma tehlikesi

- uçların kullanımı sırasında
- aletin yere bırakılması sırasında
- Uçları kullanırken eldiven giyiniz.

Ürün usulüne uygun kullanıldığında dâhil, kalan tehlikeler söz konusu olabilir. Kullanım sırasında aşağıda belirtilen riskler meydana gelebilir ve bu yüzden kullanıcının aşağıdaki hususlara dikkat etmesi gerekmektedir:

- İşitme zararlarını önlemek için maruz kalma süresi azaltılmalı ve uygun bir koruyucu kulaklık takılmalıdır
- Testere tozunun solunmasından dolayı oluşabilen sağlık risklerini önlemek için bir koruyucu solunum maskesi takılmalıdır.

LAZER

Lazer ışınlarına bakmayın ve diğer şahısların üzerine yöneltmeyin.

Yardımcı optik araç ve gereçlerle (dübün, teleskop) lazere bakmayın.

Lazeri yansıtmaya yapan yüzeylerin üzerine tutmayın.

Lazer ışınlarına tutmayın. Lazer kuvvetli ışınlar gönderebilir.

Takılmış bulunan lazer ünitesini başka tip lazer ünitesi ile değiştirmeyin. Tamirler sadece yetkili servis teknisyenleri tarafından yapılabilir.

KULLANIM

Kapaklı testere masif ağaçların traşlanması için kullanılır, ahşap ve ahşap benzeri maddeleri ve plastik maddeleri ufalar.

Yuvarlak veya düzenli olmayan enine kesitli malzemeler (örneğin yanıcı odunlar) testere ile kesilemez, zira bunlar testere ile kesilirken güvenli bir şekilde tutulamaz. Düz malzemelerin yüksek kenarları testere ile kesilirken güvenli bir şekilde sevk ve idare edilebilmeleri amacıyla uygun bir yardımcı vuruş kullanın.

KALAN TEHLİKELER

Ürün usulüne uygun kullanıldığında dâhil, kalan tehlikeler söz konusu olabilir. Kullanım sırasında aşağıda belirtilen riskler meydana gelebilir ve bu yüzden kullanıcının aşağıdaki hususlara dikkat etmesi gerekmektedir:

- Titreşimden dolayı oluşan yaralanmalar. Cihazı bunun için öngörülen kullardan tutun ve çalışma ve maruz kalam sürelerini sınırlandırın.
- Gürültü yükü işitme zararlarına neden olabilir. Kulaklık takın ve maruz kalma süresini sınırlandırın.
- Kir parçacıklarından dolayı oluşan göz yaralanmaları. Daima koruyucu gözlük, sağlam uzun pantolon ve sağlam ayakkabılar giyiniz.
- Zehirli tozların solunması.

CE UYGUNLUK BEYANI

"Teknik veriler" başlığı altında tanımlanan ürünün, sayılı direktiflerdeki tüm hükümleri

2011/65/EU, (EU) 2015/863 (RoHS)

2006/42/EC

2014/30/EU

uyumlaştırılmış standartları kullanılmış

EN 62841-1:2015+A11:2022

EN IEC 62841-3-9:2020+A11:2020

EN IEC 55014-1:2021

EN IEC 55014-2:2021

EN IEC 63000:2018



Winnenden, 2022-12-12

Alexander Krug

Alexander Krug / Managing Director
Teknik evrakları hazırlamakla görevlendirilmiştir.

Techtronic Industries GmbH
Max-Eyth-Straße 10, 71364 Winnenden, Germany

AKÜ

Uzun süre kullanım dışı kalmış kartuş aküleri kullanmadan önce şarj edin. 50°C üzerindeki sıcaklıklar kartuş akünün performansını düşürür. Akünün güneş ışığı veya mekân sıcaklığı altında uzun süre ısınmasına dikkat edin.

Şarj cihazı ve kartuş aküdeki bağlantı kontaklarını temiz tutun.

Akünün ömrünün mükemmel bir şekilde uzun olması için kullandıktan sonra tamamen doldurulması gerekir.

Ömrünün mümkün olduğu kadar uzun olması için akülerin yüklemeye yapıldıktan sonra doldurma cihazından uzaklaştırılması gerekir.

Akünün 30 günden daha fazla depolanması halinde: Batarya kutusunu, 27°C'nin altında bir sıcaklıkta ve nemden uzak bir yerde saklayın Aküyü yüklemeye durumunun yaklaşık % 30 - %50 olarak depolayın.

LİTYUM İYON PİLLERİN TAŞINMASI

Lityum iyon pillerin taşınması

Bu piller, bölgesel, ulusal ve uluslararası yönetmeliklere ve hükümlere uyularak taşınmak zorundadır.

Tüketici bu pilleri herhangi bir özel şart aranmaksızın karayoluyla taşıyabilirler.

Lityum iyon pillerin nakliye şirketleri tarafından ticari taşımacılığı için tehlikeli madde taşımacılığının hükümleri geçerlidir. Sevk hazırlığı ve taşıma sadece ilgili eğitimi görmüş personel tarafından gerçekleştirilebilir. Bütün süreç uzmanca bir refakatçilik altında gerçekleştirilmelidir.

Pillerin taşınması sırasında aşağıdaki hususlara dikkat edilmesi gerekmektedir:

Kısa devre oluşmasını önlemek için kontakların korunmuş ve izole edilmiş olmasını sağlayınız. Pili paketinin ambalajı içinde kaymamasına dikkat ediniz. Hasarlı veya akmış pillerin taşınması yasaktır. Ayrıca bilgiler için nakliye şirketinize başvurunuz.

AKÜNÜN AŞIRI YÜKLENMEYE KARŞI KORUNMASI

Aşırı yüksek akım tüketiminden dolayı, örn. aşırı yüksek devirler, başlığı sıkışması, aniden durma veya kısa devreden dolayı bataryaya aşırı yüklenilmesi halinde elektrikli alet 2 saniye süreyle durmakta ve kendiliğinden kapanmaktadır. Sıfırlamak için pil paketini aletten çıkarıp yeniden takın. Akü aşırı yüklenmeden dolayı fazla ısınır. Bu durumda akü soğuyana kadar yüklemeye göstergesinin bütün lambaları yanıp söner. Gösterge lambalarının sönmelerinden sonra tekrar çalışmaya devam edilebilir. Aküyü tekrar doldurmak ve aktif hale getirmek amacı ile şarja bağlayın.

BAKIM

Aletin kendinde bir çalışma yapmadan önce kartuş aküyü çıkarın.

Testere bıçağını takmadan veya çıkarmadan önce aletin fişini güç kaynağından çektiğinizden emin olun.

Kullanılmış ve aşınmış tezgah desteğini yenisi ile değiştirin.

Cihazı ve koruyucu tertibatı kuru bir bezle temizleyiniz.

Aletin havalandırma aralıklarını daima temiz tutun.

Sadece Milwaukee aksesuarı ve yedek parçası kullanın. Nasıl değiştirileceği açıklanmış olan yapı parçalarını bir Milwaukee müşteri servisinde değiştirin (Garanti ve servis adresi broşürüne dikkat edin).

Gerektiği takdirde aletin dağılık görünüş şeması, alet tipinin ve tip etiketi üzerindeki sayının bildirilmesi koşuluyla müşteri servisinden veya doğrudan Techtronic Industries GmbH, Max-Eyth-Straße 10, 71364 Winnenden, Germany adresinden istenebilir.

SEMBOLLER



DİKKAT! UYARI! TEHLİKE!



Aletin kendinde bir çalışma yapmadan önce kartuş aküyü çıkarın.



Lütfen aleti çalıştırmadan önce kullanma kılavuzunu dikkatli biçimde okuyun.



Aletle çalışırken daima koruyucu gözlük kullanın.



Koruyucu kulaklık kullanın!



Koruyucu eldivenlerinizi takınız!



Elinizi hiçbir zaman testere levhasına doğru tutmayın.



Makineyi yağmur altında tutmayın.



Bu ürün, yönetmeliklere göre 2. sınıf bir tüketici lazer ürünü içerir.

EN 60825-1:2014+A11:2021 ve EN 50689:2021.

Lazer ışınına bakmayın.



Atık pillerin, atık elektrikli ve elektronik eşyaların evsel atıklarla birlikte bertaraf edilmesi yasaktır. Atık piller, atık elektrikli ve elektronik eşyalar ayrılarak biriktirilmeli ve bertaraf edilmelidirler. Bertaraf etmeden önce cihazların içindeki atık pilleri, atık akümülatörleri ve lambaları çıkarınız. Yerel makamlara veya satıcınıza geri dönüşüm tesisleri ve atık toplama merkezlerinin yerlerini danışınız. Yerel yönetmeliklere göre perakende satıcılar atık pilleri, atık elektrikli ve elektronik eşyaları ücret bilgilendirilmeden geri almak zorunda olabilirler. Atık pilleriniz, atık elektrikli ve elektronik eşyalarınızı tekrar kullanarak ve geri dönüşüme vererek ham madde gereksiniminin az tutulmasına katkıda bulununuz. Atık piller (özellikle lityum iyon piller), atık elektrikli ve elektronik eşyalar, çevreye uygun şekilde bertaraf edilmediklerinde çevre ve sağlığımız üzerinde olumsuz etkilere neden olabilen değerli, tekrar kullanılabilir malzemeler içerirler. Bertaraf etmeden önce atık eşyanız içinde mevcut olabilen şahsınızla ilgili bilgileri siliniz.

V

Voltaaj

==

Doğru akım

n₀

Boştaki devir sayısı



Testere bıçağı çapı x delik çapı



Avrupa uyumluluk işareti



Britanya uyumluluk işareti



Ukrayna uyumluluk işareti



Avrasya uyumluluk işareti

Technická data Pokosové pily	M18 SMS216
Výrobní číslo	4745 85 04... ... 000001-999999
Volnoběžné otáčky	2700 min ⁻¹
Napětí výměnného akumulátoru	18V ---
Pilový kotouč ø x díra ø	216 x 30 mm
tloušťka pilového listu	1,5 mm
Šířka řezu max. Pokos 0° / naklopení 0° Pokos 45° / naklopení 0° Pokos 0° / naklopení 45° Pokos 45° / naklopení 45°	60 x 270 mm 60 x 190 mm 48 x 270 mm 48 x 190 mm
Min. rozměry obrobku	130 x 35 x 2 mm
Doporučená teplota okolí pro provoz	-5°C - +40°C
Doporučené akupaky	M18B..., M18HB...
Doporučené nabíječky	M12-18..., M1418 C6
Hmotnost podle prováděcího předpisu EPTA 01/2014	14,5 kg
Laserové záření použité v této pile je Třída II s maximem P ≤ 1mW a λ: 620 ~ 660 nm vlnových délek.	
Informace o hluku Naměřené hodnoty odpovídají EN 62841. V třídě A posuzovaná hladina hluku přístroje činí typicky: Hladina akustického tlaku (Kolísavost K=3dB(A)) Hladina akustického výkonu (Kolísavost K=3dB(A)) Používejte chrániče sluchu !	91,8 dB (A) 105 dB (A)

VAROVÁNÍ

Hodnota emise hluku uvedená v tomto katalogovém listu byla změřena podle testovací metody normované v EN 62841 a může se použít pro vzájemné porovnání přístrojů. Hodí se také pro předběžný odhad zatížení.

Uvedená hodnota emise hluku reprezentuje hlavní aplikace přístroje. Když se však přístroj použije pro jiné aplikace nebo se použije s odlišným příslušenstvím nebo se na něm vykonává nedostatečná údržba, hodnota emise hluku se může odlišovat. To může zřetelně zvýšit zatížení během celé pracovní doby. Pro přesnější odhad zatížení hlukem by se měly zohlednit také časy, během kterých je nástroj vypnutý nebo během kterých síce běží, ale skutečně se nepoužívá. To může zřetelně snížit zatížení během celé pracovní doby.

Stanovte dodatečná bezpečnostní opatření na ochranu obsluhy před působením hluku, jako například: údržba přístroje a příslušenství a organizace pracovních postupů.

Používejte chrániče sluchu. Nadměrný hluk může vést ke ztrátě sluchu.

VAROVÁNÍ Přečtěte si všechny bezpečnostní pokyny, instrukce, popisy a údaje, které obdržíte s přístrojem. Pokud následující pokyny nedodržíte, může to vést k úderu elektrickým proudem, požáru nebo těžkým poraněním.
Všechna varovná upozornění a pokyny do budoucna uschovejte.

BEZPEČNOSTNÍ INSTRUKCE PRO POKOSOVÉ PILY

- Pokosové pily jsou vroubkované pro řezání dříví nebo výrobků podobných dřevu, nemohou být použity za brusnými kotouči pro řezání kovových materiálů jako např. tyče, kulatiny, čepy, atd.** Brusný prach způsobuje zadření pohyblivých částí (např. spodní kryt). Jiskry od brusného prachu zapálí spodní kryt, řeznou vodící spáru a další plastové díly.
- Pokud je to možné, použijte svorky pro připevnění zpracovávaného kusu. Pokud zpracovávaný kus přidržujete rukou, vaše ruka musí být nejméně 100 mm od pilového kotouče. Nepoužívejte tuto pilu k řezání příliš malých kousků, které nejsou pevně přidrženy rukou.** Pokud je ruka příliš blízko pilového kotouče, je zde riziko poranění kvůli možnému kontaktu ruky a kotouče.
- Zpracovávaný kus musí být stacionární a musí být správně připevněn nebo držen jak na ochranném rámu, tak i na pracovním stole. Nestrkejte zpracovávaný kus přímo proti kotouči a v žádném případě jej nikdy nedržte pouze ve vzduchu v ruce.** Nepřipevněný a pohyblivý zpracovávaný kus může nabýt velké rychlosti a způsobit zranění vám, nebo třetím osobám.
- Tlačte pilu skrze zpracovávaný kus. Netahejte pilu skrze zpracovávaný kus. Pro řez zvedněte hlavu pily a bez řezání jí přes zpracovávaný kus vytáhněte, spustte motor, tlačte hlavu pily dolů a tlačte pilu skrze zpracovávaný kus.** Řezání tlačěním pravděpodobně způsobí, že kotouč pily vyjede na horní straně zpracovávaného kusu a prudce hodí celou pilou směrem k obsluze.

e) **Nikdy nekřížte ruce nad zamýšleným řezem před nebo za kotoučem pily.** Přidržení zpracovávaného kusu „přes ruku“ tzv. držení zpracovávaného kusu na pravé straně kotoučem pily a na levé straně vaší rukou (nebo naopak) je velmi nebezpečné.

f) **Nešahajte kvůli odstranění dřevěných pilin, nebo z jiného důvodu, žádnou rukou za ochranných rámů blíže než 100 mm od pilového kotouče, když se ještě pilový kotouč točí.** Blízkost pilového kotouče u vaší ruky nemusí být zřejmá a může způsobit vážná zranění.

g) **Před řezáním zkontrolujte zpracovávaný kus. Pokud je tento kus vyboulený nebo pokroucený, připevněte jej vyboulenou stranou k ochrannému rámu. Vždy se ujistěte, že se mezi ve směru řezu mezi zpracovávaným kusem, ochranným rámem a pracovním stolem nenachází žádná mezera.** Ohnuté nebo pokroucené zpracovávané kusy se mohou kroužit nebo zvednout a mohou se při řezání navázat na samotný kotouč.

h) **Nepoužívejte pilu, pokud není stůl zcela prost všeho nářadí, zbytků dřeva atp., s výjimkou zpracovávaného kusu.** Drobné nečistoty nebo uvolněné kousky dřeva, či jiného objektu, které jsou v kontaktu s otáčivým ostřím, mohou být vrženy vysokou rychlostí.

i) **Řezajte vždy pouze jeden zpracovávaný kus.** Skládané vícenásobné zpracovávané kusy nelze dostatečně sevít nebo jinak připevnit a mohou se přichytit na ostří kotouče nebo během řezání posunout.

j) **Před použitím se ujistěte, že pokosová pila je namontovaná a umístěna na úrovni pevné pracovní plochy.** Úroveň pevné pracovní desky snižuje riziko nestability pokosové pily.

k) **Naplánujte si svou práci. Vždy změňte zkosení nebo nastavení úhlu pokosu. Ujistěte se, že nastavitelný plot je správně nastaven pro uchycení zpracovávaného kusu a nebudete v konfliktu s ostřím nebo systémem ochranných krytů.** Bez zapnutého tlačítka "ON" a bez zpracovávaného kusu na pracovním stole posuňte čepel pily po dráze simulovaného řezu aby jste zjistili, že zde nehrozí žádný kontakt nebo nebezpečí přeřiznutí plotu.

l) **Poskytněte odpovídající uchycení, jako rozšíření pracovního stolu, podpěrné kozy, atd. pro zpracovávaný kus, který je širší nebo delší, než deska pracovního stolu.** Zpracovávaný kus delší nebo širší, než deska pracovního stolu, se může ohnout, pokud není správně podepřen. Pokud se část zpracovávaného kusu ohne, může být tento kus zvednut na spodní kryt nebo být hozen na rotující ostří kotouče.

m) **Nepoužívejte jinou osobu jako náhradu za prodloužení stolu nebo jako další podporu.** Nestabilní uchycení zpracovávaného kusu může způsobit zaseknutí ostří nebo posunutí zpracovávaného kusu, což hodí vás nebo vašeho pomocníka přímo na ostří kotouče.

n) **Uříznutý kousek se nesmí vzpříčit nebo být vlisován jakýmkoliv způsobem proti otáčejícímu se řeznému kotouči.** Při omezení, tj. pomocí dorazů, se může uříznutý kus zaklínit proti čepeli.

o) **Vždy používejte svorky nebo držák navržený tak, aby správně přichytil kulatý materiál, jako jsou tyče nebo potrubí.** Tyče mají tendenci se valit, zatímco se kotouč „zakousne“ a vystřelí vaší práci, i vaše ruce, přímo proti čepeli.

p) **Před kontaktem se zpracovávaným kusem nechte disk roztočit na plnou rychlost.** Tím se sníží riziko vymrštění zpracovávaného kusu.

q) **Pokud zpracovávaný kus nebo čepel uvízne, vypněte pilu. Vyčkejte, dokud se všechny pohyblivé části úplně nezastaví a odpojte zástrčku od zdroje napájení/ nebo vyjměte akumulátor. Poté můžete uvolnit zpříčený materiál.** Pokud budete pokračovat v řezání se vzpříčeným materiálem, můžete ztratit kontroly nad přístrojem nebo poškodit pokosovou pilu.

r) **Po skončení řezání uvolněte spínač, držte hlavu pily směrem dolů a před vyndáním řezaného kousku počkejte, než se čepel zastaví.** Je nebezpečné nechat ruce v blízkosti dobíhajícího kotouče.

s) **Pevně držte rukojeť při provádění neúplného řezu nebo při uvolnění tlačítka, než se hlava pily kompletně přesune do spodní pozice.** Brzdný účinek pily může způsobit, že je hlava pily náhle tažena směrem dolů, což zvyšuje riziko zranění.

Další bezpečnostní a pracovní pokyny

Noste osobní ochranné pomůcky a vždy ochranné brýle. Nošení osobních ochranných pomůcek jako maska proti prachu, bezpečnostní obuv s protiskluzovou podrážkou, ochranná přilba nebo sluchátka, podle druhu nasazení elektronářadí, snižují riziko poranění.

Používejte chrániče sluchu. Nadměrný hluk může vést ke ztrátě sluchu.

Prach vznikající při práci bývá zdraví škodlivý, a proto by se neměly vdechovat. Používejte odsávání prachu a navíc se chraňte vhodnou ochrannou maskou. Usazený prach dobře odstraňte, např. odsátím. Při řezání dřeva připojte pilu k vysavači.

Před prvním použitím stroje doporučujeme pečlivě pročit návod k používání a seznámit se s praktickou obsluhou.

Zajistěte stabilní polohu stroje (například upevněním na pracovní stůl).

Udržujte čistotu a pravidelně zametejte piliny a odřezky.

Nepoužívejte poškozené nebo deformované pilové listy.

Pilové kotouče, které neodpovídají požadavkům podle tohoto návodu se nesmí používat.

Je povoleno používat jen nástroje, které splňují EN 847-1.

Nepoužívejte pilové listy vyrobené z rychlořezné oceli

Vyberte pilový list vhodný k řezání vybraného materiálu

Přípustný počet otáček vkládaného nástroje musí být minimálně stejně vysoký jako maximální počet otáček uvedený na elektrickém nářadí. Příslušenství, které se točí rychleji, než je přípustné, se může rozbit a rozletět do okolí.

Nářadí se musí připravovat a přečkovávat ve vhodné schránce.

K upevnění pilového listu použijte výhradně příruby zobrazené v návodu k obsluze.

Kapovací pilu nikdy nepoužívejte k řezání jiných než v návodu k obsluze uvedených materiálů.

Zkracovací pilu používejte jen s bezpečně fungujícím a dobře udržovaným ochranným příklonem. Ochranný příklon se musí samočinně vracet.

Neodstraňujte odřezky a jiné zbytky materiálu z řezného prostoru dokud pila běží a řezná hlava je v pohybu.

Nesahjte do nebezpečného prostoru bezpečního stroje.

Bezpodmínečně používat ochranná zařízení přímočaré pily.

Závady na stroji, ochranném zařízení nebo pilových listech musí být ihned po zjištění nahlášeny osobě zodpovědné za bezpečnost.

Pohyblivé ochranné prvky se nesmí aretovat v otevřené pozici.

Dlouhé obrobky vhodným způsobem podepřete.

Kapovací pilu přepravujte vždy jen s aretovanou přepravní pojistkou v rukojeti.

Při provádění pokosu, úkosu nebo složených pokosových řezů nastavte posuvnou tyč pro zajištění správné vzdálenosti od čepelí.

Pomocí přiměřené rychlosti posuvu zabraňte přehřátí zubů pilového listu a při řezání plastů také tavení materiálu.

Nasazený nástroj má ostré hrany a během používání se může zahřát.

VAROVÁNÍ! Nebezpečí pořezání a popálení

- při manipulaci s nasazovanými nástroji

- při odkládání přístroje

Při manipulaci s nasazovanými nástroji použijte ochranné rukavice.

Dokonce ani při řádném používání výrobku podle předpisů se nedají zcela vyloučit zbyvajících rizika. Při používání mohou vzniknout následující rizika, a proto by obsluha měla dodržovat následující pokyny:

• Aby se zabránilo poruchám sluchu, je třeba omezit dobu expozice a je nutné používat vhodnou ochranu sluchu.

• Je třeba nosit ochrannou respirační masku, aby se předešlo rizikům poškození zdraví, která mohou vzniknout vdechnutím prachu z řezání.

LASER

Nedívejte se do laserové louče a nesměřujte tento na jiné osoby.

Nedívejte se do laseru optickými pomůckami (různými dalekohledy).

Laser nesměřujte na reflexní plochy.

Nevystavujte se laserovému záření. Laser může vysílat silné záření.

Nezaměňujte zabudovaný laser za laser jiného typu. Opravy směřjí vykonávat pouze technici z autorizovaných servisů.

OBLAST VYUŽITÍ

Zkracovací pila se používá k řezání masivního dřeva, klíženého dřeva, materiálu s podobnými vlastnostmi a plastu.

Řezivo s kruhovým nebo nepravidelným průřezem (např. palivové dříví) se nesmí řezat, protože je nelze bezpečně fixovat. Při řezání plochého materiálu na výšku se k bezpečnému vedení musí používat vhodná pomocná zarážka.

ZBÝVAJÍCÍ RIZIKA

Dokonce ani při řádném používání výrobku podle předpisů se nedají zcela vyloučit zbyvajících rizika. Při používání mohou vzniknout následující rizika, a proto by obsluha měla dodržovat následující pokyny:

- Poranění způsobená vibrací. Přístroj držte pouze za určená držadla a omezte čas práce a expozice.
- Zatížení hlukem může vést k poškození sluchu. Noste ochranu sluchu a omezte dobu expozice.
- Poranění očí způsobená částicemi nečistot. Vždy noste ochranné brýle, pevné dlouhé kalhoty a pevnou obuv.
- Vdechnutí jedovatých druhů prachu.

CE-PROHLÁŠENÍ O SHODĚ

Prohlašujeme na naši výhradní odpovědnost, že produkt popsán v části „Technické údaje“ splňuje všechna příslušná ustanovení směrnice 2011/65/EU, (EU) 2015/863 (RoHS) 2006/42/EC 2014/30/EU

a byly použity následující harmonizované normy bylo použito

EN 62841-1:2015+A11:2020
EN IEC 62841-3-9:2020+A11:2020
EN IEC 55014-1:2021
EN IEC 55014-2:2021
EN IEC 63000:2018



Winnenden, 2022-12-12

Alexander Krug / Managing Director

Zplnomocněn k sestavování technických podkladů.

Techtronic Industries GmbH

Max-Eyth-Straße 10, 71364 Winnenden, Germany

AKUMULÁTORY

Déle nepoužívané akumulátory je nutné před použitím znovu nabít. Teplota přes 50°C snižuje výkon akumulátoru. Chraňte před dlouhým přehříváním na slunci či u topení.

Kontakty nabíječky a akumulátoru udržujte v čistotě.

Pro optimální životnost je nutné akumulátory po použití plně dobít.

K zabezpečení dlouhé životnosti by se akumulátory měly po nabíjení vyjmout z nabíječky.

Při skladování akumulátoru po dobu delší než 30 dní: Napájecí sadu skladujte v prostředí s teplotou do 27 °C a chraňte ji před vlhkem. Skladujte akumulátor při cca 30%-50% nabíjecí kapacitě.

PŘEPRAVA LITHIUM-IONTOVÝCH BATERIÍ

Přeprava lithium-iontových baterií

Přeprava těchto baterií se musí realizovat s dodržováním lokálních, vnitrostátních a mezinárodních předpisů a ustanovení.

Spotřebitelé mohou tyto baterie bez problémů přepravovat po komunikacích.

Komerční přeprava lithium-iontových baterií prostřednictvím přepravních firem podléhá ustanovením o přepravě nebezpečného nákladu. Přípravu k vyexpedování a samotnou přepravu směřjí vykonávat jen příslušně vyškolené osoby. Na celý proces se musí odborně dohlížet.

Při přepravě baterií je třeba dodržovat následující:

Zajistěte, aby kontakty byly chráněné a izolované, aby se zamezilo zkratkám. Dávejte pozor na to, aby se svazek baterií v rámci balení nemohl sesmeknout. Poškozené a vyteklé baterie se nesmějí přepravovat. Ohledně dalších informací se obraťte na vaši přepravní firmu.

OCHRANA PROTI PŘETÍŽENÍ AKUMULÁTORU

Při přetížení akumulátoru prostřednictvím příliš vysoké spotřeby proudu, např. extrémně vysoké kroučící momenty, uviznutí nasazovaného nářadí, prudké nečekané zastavení nebo zkrat, se elektrické nářadí na 2 sekundy zastaví a samostatně se vypne. K resetování vyjměte baterii z nástroje a znovu dejte na své místo. Při extrémním zatížení dochází k příliš vysokému ohřevu akumulátoru. V tomto případě začnou blikat všechny kontrolky indikátoru dobíjení a blikají tak dlouho, dokud se akumulátor opět neochladí. V okamžiku, kdy indikátor dobíjení přestane blikat, je možné v práci opět pokračovat. Akumulátor v tomto případě k dobití a aktivaci vložíte opět do nabíječky.

ÚDRŽBA

Před zahájením veškerých prací na vrtacím šroubováku vyjmout výměnný akumulátor.

Ujistěte se, že jste pilu odpojili od zdroje napájení před montáží a demontáží pilového kotouče.

Vyměňte opotřebovanou stolní vložku.

Přístroj a ochranný kryt čistěte suchým hadříkem.

Větrací štěrby nářadí udržujeme stále čisté.

Používat výhradně příslušenství Milwaukee a náhradní díly Milwaukee. Díly jejichž výměna nebyla popsána, nechte vyměnit v autorizovaném servisu (viz: Záruky / Seznam servisních míst)

Při potřebě podrobného rozkresu konstrukce, oslovte informaci o typu a čísle přímo servis a nebo výrobce, Techtronic Industries GmbH, Max-Eyth-Straße 10, 71364 Winnenden, Germany.

SYMBOLY



POZOR! VAROVÁNÍ! NEBEZPEČÍ!



Před zahájením veškerých prací na vrtacím šroubováku vyjmout výměnný akumulátor.



Před spuštěním stroje si pečlivě přečtěte návod k používání.



Při práci se strojem neustále nosit ochranné brýle.



Používejte chrániče sluchu!



Používejte ochranné rukavice!



Nikdy nedávejte ruce do prostoru pilového listu.



Nevystavujte stroj dešti.



Tento produkt obsahuje spotřebitelský laserový produkt třídy 2 podle EN 60825-1:2014+A11:2021 a EN 50689:2021.

Nedívejte se do laserového louče.



Odpadní baterie a odpadní elektrická a elektronická zařízení se nesmějí likvidovat společně s domovním odpadem. Odpadní baterie a odpadní elektrická a elektronická zařízení je nutné sbírat a likvidovat odděleně. Před likvidací odstraňte ze zařízení odpadní baterie, odpadní akumulátory a osvětlovací prostředky. Informujte se na místních úřadech nebo u vašeho odborného prodejce ohledně recyklačních dvorů a sběrných míst. Podle místních ustanovení mohou maloobchodní prodejci být povinni bezplatně odebrat zpět odpadní baterie a odpadní elektrická a elektronická zařízení. Opětovným použitím akumulátorů a osvětlovacích prostředků. Informujte se na recyklaci vašich odpadních baterií a vašich odpadních elektrických a elektronických zařízení přispíváte ke snížení potřeby surovin. Odpadní baterie (především lithium-iontové baterie), odpadní elektrická a elektronická zařízení obsahují cenné, opětovně použitelné materiály, které při ekologické likvidaci nemohou mít negativní účinky na životní prostředí a vaše zdraví. Před likvidací pokud možno vymažte na vašem odpadním přístroji existující osobní údaje.

V

napětí



Stejnoseměrný proud

n_o

Volnoběžné otáčky



Pilový kotouč \varnothing x díra \varnothing



Značka shody v Evropě



Značka shody v Británii



Značka shody na Ukrajině



Značka shody pro oblast Eurasie

Technické údaje Ťažná kapovacia píla	M18 SMS216
Výrobné číslo	4745 85 04... ... 000001-999999
Otáčky naprázdno	2700 min ⁻¹
Napätie výmenného akumulátora	18V ---
Priemer pílového listu x priemer diery	216 x 30 mm
hrúbka pílového listu	1,5 mm
Šírka rezu max. Uhly zošikmenia horizontálne 0°/ Uhly zošikmenia vertikálne 0° Uhly zošikmenia horizontálne 45°/ Uhly zošikmenia vertikálne 0° Uhly zošikmenia horizontálne 0°/ Uhly zošikmenia vertikálne 45° Uhly zošikmenia horizontálne 45°/ Uhly zošikmenia vertikálne 45°	60 x 270 mm 60 x 190 mm 48 x 270 mm 48 x 190 mm
Min. rozmery obrobku	130 x 35 x 2 mm
Odporúčaná teplota okolia pre prevádzku	-5°C - +40°C
Odporúčaná akupaky	M18B..., M18HB...
Odporúčaná nabíjačky	M12-18..., M1418 C6
Hmotnosť podľa vykonávacieho predpisu EPTA 01/2014	14,5 kg
Laserové žiarenie použité v tejto píle je Trieda II s maximom P≤1mW a λ: 620 ~ 660 nm vlnových dĺžok.	
Informácia o hluku Namerané hodnoty určené v súlade s EN 62841. V triede A posudzovaná hladina hluku prístroja činí typicky: Hladina akustického tlaku (Kolísavosť K=3dB(A)) Hladina akustického výkonu (Kolísavosť K=3dB(A)) Používajte ochranu sluchu!	91,8 dB (A) 105 dB (A)



Slov

POZOR

Hodnota emisie hluku uvedená v tomto katalógovom liste bola odmeraná podľa testovacej metódy normovanej v EN 62841 a môže sa použiť na vzájomné porovnanie prístrojov. Hodí sa tiež na predbežný odhad zaťaženia.

Uvedená hodnota emisie hluku reprezentuje hlavné aplikácie prístroja. Keď sa avšak použije prístroj na iné aplikácie alebo sa použije s odlišným príslušenstvom alebo sa na ňom vykonáva nedostatočná údržba, hodnota emisie hluku sa môže odlišovať. To môže zreteľne zvýšiť zaťaženie počas celej pracovnej doby. Pre presnejší odhad zaťaženia hlukom by sa mali zohľadniť aj časy, v ktorých je nástroj vypnutý alebo v ktorých síce beží, ale nie je skutočne v nasadení. To môže zreteľne znížiť zaťaženie počas celej pracovnej doby.

Stanovte dodatočné bezpečnostné opatrenia na ochranu obsluhy pred pôsobením hluku, ako napríklad: údržba prístroja a príslušenstva a organizácia pracovných postupov. Používajte ochranu sluchu. Nadmerný hluk môže viesť k strate sluchu.

POZOR Prečítajte si všetky bezpečnostné upozornenia, pokyny, vyobrazenia a údaje, ktoré dostanete spolu s prístrojom. Ak by ste nedodržali nasledujúce pokyny, mohlo by to mať za následok zásah elektrickým prúdom, vznik požiaru a/alebo vážne poranenie.

Tieto Výstražné upozornenia a bezpečnostné pokyny starostlivo uschovajte na budúce použitie.

BEZPEČNOSTNÉ POKYNY PRE POKOSOVÉ PÍLY

- Pokosové píly sú určené na rezanie dreva alebo výrobkov podobných drevu, nemožno ich používať s brúsno-reznými kotúčmi na rezanie železiarskeho materiálu, ako sú tyče, tyčky, čapy, atď.** Brúsny prach spôsobuje zasekanie pohyblivých častí, ako napr. spodný kryt. Iskry od brúsneho rezania budú spalovať spodný kryt, škárovú vložku a ďalšie plastové diely.
- Používajte svorky na podopieranie obrobku vždy, keď je to možné. Ak podopierate obrobok ručne, musíte mať vždy vašu ruku najmenej 100 mm od oboch strán pílového kotúča. Nepoužívajte túto pílu na rezanie kusov, ktoré sú príliš malé na to, aby boli bezpečne zovreté alebo držané v ruke.** Ak je vaša ruka umiestnená príliš blízko k pílovému kotúču, existuje zvýšené riziko poranenia pri kontakte s kotúčom.
- Obrobok sa nesmie pohybovať a musí byť zovretý alebo držaný proti dorazu a stolu. Neprivádzajte obrobok ku kotúčom, ani v žiadnom prípade nerezte bez držania rukou.** Neprípevnené alebo pohyblivé obrobky by mohli byť odhodnené pri vysokých rýchlostiach a spôsobiť zranenie.
- Tlačte pílu cez obrobok. Neťahajte pílu cez obrobok. Ak chcete urobiť rez, zdvihnite hlavu píly a vytiahnite ju ponad obrobok bez rezania, spustíte motor, stlačte hlavu píly dole a tlačte pílu cez obrobok.** Rezanie ťahaním pravdepodobne spôsobí, že pílový kotúč vystúpi hore na vrch obrobku a prudko hodí kotúčovú zostavu smerom k obsluhu.
- Nikdy nekrížte Vašu ruku nad zamýšľanou líniou rezu ani pred, ani za pílovým kotúčom.** Podopieranie obrobku, s

prekriženou rukou“, t.j. držanie obrobku na pravej strane pílového kotúča ľavou rukou alebo naopak je veľmi nebezpečné.

f) **Nesiahajte za doraz ani rukou bližšie ako 100 mm od oboch strán pílového kotúča s cieľom odstrániť drevené zvyšky, ani z akéhokoľvek iného dôvodu, keď sa kotúč otáča.** Blízkosť otáčajúceho sa pílového kotúča k vašej ruke nemusí byť zrejmá a môžete sa vážne zraniť.

g) **Pred rezaním obrobok skontrolujte. Ak je obrobok zohnutý alebo skrivený, pripevnite ho vonkajšou zohnutou stranou smerom k dorazu. Vždy sa uistite, že neexistuje žiadny voľný priestor medzi obrobkom, dorazom a stolom pozdĺž línie rezu.** Zohnuté alebo skrivené obrobky sa môžu skrútiť alebo posunúť a môžu spôsobiť omotanie sa na otáčajúcom sa pílovom kotúči pri rezaní. V obrobku by nemali byť žiadne kince ani cudzie predmety.

h) **Nepoužívajte pílu, kým nie je stôl čistý od všetkého náradia, drevených zvyškov, atď., s výnimkou pre obrobok.** Malé úlomky alebo uvoľnené kusy dreva alebo iných predmetov, ktoré sa dostanú do kontaktu s otáčavým kotúčom, môžu byť odhodnené vysokou rýchlosťou.

i) **Naraz reže iba jeden obrobok.** Viac naskladaných obrobkov nemožno dostatočne upevniť ani zopnúť a môžu sa ometať na čepeli či posunúť počas rezania.

j) **Pred použitím sa uistite, že pokosová píla je namontovaná alebo umiestnená na rovnej, pevnej pracovnej ploche.** Rovná a pevná pracovná plocha znižuje riziko, že pokosová píla bude labilná.

k) **Plánujte si svoju prácu. Zakaždým, keď zmeníte nastavenie uhla skosenia alebo pokosu, uistite sa, že nastaviteľný doraz je správne nastavený k podopieraniu obrobku a nebude interferovať skotúčom alebo ochranným systémom.** Bez prepnutia nástroja do polohy „ZAP“ a bez obrobku na stole posúvajte pílový kotúč úplne simulovaným rezom, aby ste zaistili, že neexistuje žiadna prekážka ani nebezpečenstvo rezania dorazu.

l) **Zabezpečte príslušné podopieranie, ako sú prídavné časti stola, kozy na rezanie, atď. pre obrobok, ktorý je širší alebo dlhší ako vrchná časť stola.** Obrobky dlhšie alebo širšie než stôl pokosovej píly sa môžu nakloniť, ak nie sú riadne podporené. V prípade, že odrezaný kus alebo obrobok sa nakloní, môže to zdvihnúť spodný kryt alebo môže byť odhodnený otáčajúcou sa čepelou.

m) **Nevyužívajte inú osobu ako náhradu za prídavnú časť stola alebo ako dodatočné podopieranie.** Nestabilné podopretie obrobku môže spôsobiť omotanie na čepeli alebo posunutie obrobku počas procesu rezania, čím môže dôjsť k ťahaniu vás a pomocníka do otáčajúcej sa čepele.

n) **Odrezaný kus nesmie byť zaseknutý ani pritlačený akýmkoľvek prostriedkami proti otáčajúcejmu sa pílovému kotúču.** V prípade obmedzenia, t.j. pomocou dorazov, sa odrezaný kus môže zaklinovať proti čepeli a prudko odhodíť.

o) **Vždy použite svorku alebo prípravok určený pre správne podopretie gulatiny, ako sú tyče alebo rúrky.** Tyče majú pri rezaní tendenciu valiť sa, čo spôsobuje zovretie kotúčom a ťhanie vašej ruky do kotúča.

p) **Nechajte kotúč dosiahnuť plnú rýchlosť pred dotykom obrobku.** Tým sa zníži riziko odhodnenia obrobku.

q) **Ak dôjde k zaseknutiu obrobku alebo kotúča, vypnite pokosovú pílu. Počkajte, kým sa všetky pohyblivé časti zastavia a odpojte zástrčku od zdroja napájania a/alebo vyberte akumulátor. Potom pracujte na uvoľnení zaseknutého materiálu.** Pokračovanie v rezaní, keď je obrobok zaseknutý, by mohlo spôsobiť stratu kontroly alebo poškodenie pokosovej píly.

r) **Po dokončení rezu uvoľnite spínač, držte pílu dole hlavou a čakajte na zastavenie kotúča pred vybratím odrezaného kusu.** Siahanie rukou v blízkosti dobiehajúceho kotúča je nebezpečné.

s) **Uchopte pevne rukoväť pri neúplnom reze alebo pri uvoľnení spínača pred tým, než je hlava píly úplne v dolnej pozícii.** Brzdny účinok píly môže spôsobiť, že hlava píly bude náhle ťahaná smerom nadol, čo spôsobuje riziko zranenia.

Ďalšie bezpečnostné a pracovné pokyny

Noste osobné ochranné pomôcky a používajte vždy ochranné okuliare. Nosenie osobných ochranných pomôcok, ako je ochranná dýchacia maska, bezpečnostná pracovná obuv, ochranná prilba alebo chrániče sluchu, podľa druhu ručného elektrického náradia a spôsobu jeho použitia znižujú riziko poranenia.

Používajte ochranu sluchu. Nadmerný hluk môže viesť k strate sluchu.

Prach, ktorý vzniká pri práci je často zdraviu škodlivý a nemal by sa dostať do tela. používajte odsávac prachu a noste vhodnú masku proti prachu. Uskladnený prach dôkladne odstráňte, napr. vysať.

Pri pilení dreva pripojte pílu k vysávaču.

Pred prvým použitím prosím prečítať návod na použitie a nechať si predviesť ako sa narába s náradím

Zaistite stabilnú polohu stroja (napríklad upevnením na pracovný stôl).

Udržujte čistotu a pravidelne zametajte piliny a odrezky.

Nepoužívajte poškodené alebo deformované pílové listy.

Pílové listy, ktoré nezodpovedajú charakteristikám uvedeným v návode na použitie, nesmú sa použiť.

Je dovolené používať iba nástroje, ktoré zodpovedajú norme EN 847-1.

Nepoužívajte pílové listy, vyrobené z rýchloreznej ocele.

Vyberte si pílový list vhodný na rezanie vybraného materiálu.

Prípustné otáčky pracovného nástroja musia byť minimálne také vysoké ako najvyššie otáčky uvedené na elektrickom náradí. Príslušenstvo, ktoré sa otáča rýchlejšie, sa môže zlomiť a rozletieť.

Nástroje sa musia prepravovať a skladovať vo vhodnom obale;

Na upevnenie pílového listu používajte výhradne príruby zobrazené v návode na používanie.

Skracovaciu pílu nikdy nepoužívajte na rezanie iných materiálov než akú sú uvedené v návode na obsluhu.

Skracovaciu pílu používajte len s bezpečne fungujúcim a dobre udržovaným ochranným príklopom. Ochranný príklop sa musí samostatne vracat.

Neodstraňujte odrezky a iné zvyšky materiálu z rezného priestoru, pokiaľ píla beží a rezná hlava je v pohybe.

Nesiahať do nebezpečnej oblasti bežiaceho stroja.

Ochranné zariadenie stroja bezpodmienečne používajte

Závady na stroji, na ochrannom zariadení alebo na pílových listoch treba ihneď po zistení nahlásiť osobe zodpovednej za bezpečnosť.

Ochranný kryt nesmie byť fixovaný vo vychýlenom stave.

Dlhé obrobky vhodným spôsobom podoprite.

Skracovaciu pílu pripravujte vždy len s aretovanou prepravňou poistkou na rukoväti.

Pri vykonávaní pokosu, úkosu alebo zložených pokosových rezov nastavte posuvné vodidlo, aby sa zabezpečila správna vzdialenosť od čepele.

Prostredníctvom primeranej rýchlosti posuvu zamedzte prehriatiu zubov pílového listu a pri rezaní plastov aj taveniu materiálu.

Nasadený nástroj má ostré hrany a počas používania sa môže zahriať.

VÝSTRAHA! Nebezpečenstvo porezania a popálenia

-pri manipulácii s nasadzovanými nástrojmi

-pri odkladaní prístroja

Pri manipulácii s nasadzovanými nástrojmi používajte ochranné rukavice.

Dokonca ani pri riadnom používaní výrobku podľa predpisov sa nedajú úplne vylúčiť zvyškové riziká. Pri používaní môžu vzniknúť nasledujúce riziká, a preto by obsluha mala dodržiavať nasledovné pokyny:

- Aby sa zamedzilo poruchám sluchu, treba obmedziť dobu expozície a treba nosiť vhodnú ochranu sluchu.
- Treba nosiť ochrannú respiračnú masku, aby sa predišlo rizikám poškodenia zdravia, ktoré môžu vzniknúť vdýchnutím prachu z pílenia.

LASER

Nepozerajte sa do laserového lúča a nesmerujte tento na iné osoby.

Neďívajte sa do lasera cez optické pomôcky (rôzne ďalekohľady).

Laser nesmerujte na reflexné plochy.

Nevystavujte sa laserovému žiareniu. Laser môže vysielať silné žiarenie.

Zabudovaný laserový modul nikdy nezamieňajte za laserové zariadenie iného typu. Opravy smú vykonávať len technici z autorizovaných servisov.

POUŽITIE PODĽA PREDPISOV

Skracovacia píla sa používa k rezaniu masívneho dreva, glejeného dreva, materiálu s podobnými vlastnosťami a plastu.

Rezivo s kruhovým alebo nepravidelným prierezom (napr. palivové drevo) sa nesmie rezať, pretože ho nie je možné bezpečne fixovať. Pri rezaní plochého materiálu na výšku sa k bezpečnému vedeniu musí používať vhodná pomocná zarážka.

ZVÝŠKOVÉ RIZIKÁ

Dokonca ani pri riadnom používaní výrobku podľa predpisov sa nedajú úplne vylúčiť zvyškové riziká. Pri používaní môžu vzniknúť nasledujúce riziká, a preto by obsluha mala dodržiavať nasledovné pokyny:

- Poranenia spôsobené vibráciou. Prístroj držte iba za určené držiadlá a obmedzte čas práce a expozície.
- Zataženie hlukom môže viesť k poškodeniam sluchu. Noste ochranu sluchu a obmedzte dobu expozície.
- Poranenia očí spôsobené čistočkami nečistôt. Vždy noste ochranné okuliare, pevné dlhé nohavice a pevnú obuv.
- Vdýchnutie jedovatých druhov prachu.

CE - VYHLÁSENIE KONFORMITY

Na našu výhradnú zodpovednosť vyhlasujeme, že produkt popísaný v časti „Technické údaje“ spĺňa všetky príslušné ustanovenia smerníc

2011/65/EU, (EU) 2015/863 (RoHS)

2006/42/EC

2014/30/EU

a boli použité nasledovné harmonizované normy boli použité

EN 62841-1:2015+A11:2022

EN IEC 62841-3-9:2020+A11:2020

EN IEC 55014-1:2021

EN IEC 55014-2:2021

EN IEC 63000:2018



Winnenden, 2022-12-13

Alexander Krug / Managing Director
Splnomocnený zostaviť technické podklady.

Techtronic Industries GmbH
Max-Eyth-Straße 10, 71364 Winnenden, Germany

AKUMULÁTORY

Dlhší čas nepoužívané výmenné akumulátory pred použitím dobiť. Teplota vyššia ako 50°C znižuje výkon výmenného akumulátora. Zabráňte dlhšiemu ohriatiu slnkom alebo kúrením.

Pripájacie kontakty na nabíjacom zariadení a výmennom akumulátore udržiavať čisté.

Pre optimálnu životnosť je nutné akumulátory po použití plne dobiť.

K zabezpečeniu dlhej životnosti by sa akumulátory mali po nabití vybrať z nabíjačky.

Pri skladovaní akumulátora po dobu dlhšiu než 30 dní: Akumulátor skladujte pri teplote nižšej ako 27 °C a mimo dosahu vlhkosti. Skladujte akumulátor pri cca 30%-50% nabijacej kapacite.

PREPRAVA LÍTIOVO-IÓNOVÝCH BATÉRIÍ

Preprava lítiovo-iónových batérií

Preprava týchto batérií sa musí realizovať s dodržiavaním lokálnych, vnútroštátnych a medzinárodných predpisov a ustanovení.

Spotrebiteľia môžu tieto batérie bez problémov prepravovať po cestách.

Komerčná preprava lítiovo-iónových batérií prostredníctvom špedičných firiem podlieha ustanoveniam o preprave nebezpečného nákladu. Prípravu k vyexpedovaniu a samotnú prepravu smú vykonávať iba adekvátne vyškolené osoby. Na celý proces sa musí odborné dohliadať.

Pri preprave batérií treba dodržiavať nasledovné:

Zabezpečte, aby boli kontakty chránené a izolované, aby sa zamedzilo skratom. Dávajte pozor na to, aby sa zväzok batérií v rámci balenia nemohol zošmyknúť. Poškodené a vytečené batérie sa nesmú prepravovať. Kvôli ďalším informáciám sa obráťte na vašu špedičnú firmu.

OCHRANA PROTI PREŽAŽENIU AKUMULÁTORA

Pri preťažení akumulátora prostredníctvom príliš vysokej spotreby prúdu, napr. extrémne vysoké krútiace momenty, uviaznutie nasadzovaného náradia, prudké nečakané zastavenie alebo skrat, sa elektrické náradie na 2 sekundy zastaví a samostatne sa vypne. K resetovaniu vyberte batériu z nástroja a znova dajte na svoje miesto. Pri extrémnom zatažení dochádza k príliš vysokému ohrevu akumulátora. V tomto prípade začnú blikať všetky kontrolky indikátora dobijania a blikajú tak dlho, dokiaľ sa akumulátor opäť neochladí. V okamihu, keď indikátor dobijania prestane blikať, je možné v práci opäť pokračovať. Akumulátor v tomto prípade k dobitiu a aktivácii vložte opäť do nabíjačky.

ÚDRŽBA

Pred každou prácou na stroji výmenný akumulátor vytriahnuť.

Vždy odpojte nástroj od elektrickej siete pred montážou alebo demontážou ostria píly.

Vymeňte opotrebovanú stolnú vložku.

Prístroj a ochranné zariadenie čistite suchou handričkou.

Vetracie otvory udržiavať stále v čistote.

Používať len Milwaukee príslušenstvo a Milwaukee náhradné diely. Súčastky bez návodu na výmenu treba dat vymeniť v jednom z Milwaukee zákaznických centier (viď brožúru Záruka/Adresy zákaznických centier).

Pri udaní typu stroja a čísla nachádzajúceho sa na štítku dá sa v prípade potreby vyžadovať explózná schéma prístroja od vášho zákaznického centra alebo priamo v Techtronic Industries GmbH, Max-Eyth-Straße 10, 71364 Winnenden, Germany.

SYMBOLY



POZOR! NEBEZPEČENSTVO!



Pred každou prácou na stroji výmenný akumulátor vytriahnuť.



Pred prvým použitím prístroja si pozorne prečítajte návod na obsluhu.



Pri práci so strojom vždy noste ochranné okuliare.



Používajte ochranu sluchu!



Používajte ochranné rukavice!



Nikdy nedávajte ruky do priestoru pílového listu.



Nevystavujte stroj dažďu.



Tento produkt obsahuje spotrebný laserový produkt triedy 2 podľa

EN 60825-1:2014+A11:2021 a EN 50689:2021.

Neďívajte sa do laserového lúča.



Použitie batérie a odpad z elektrických a elektronických zariadení sa nesmie likvidovať spolu s domovým odpadom. Použitie batérie a odpad z elektrických a elektronických zariadení treba zbierať a likvidovať oddelene. Pred likvidáciou odstráňte zo zariadení použité batérie, použité akumulátory a osvetľovacie prostriedky. Informujte sa pri miestnych úradoch alebo u vášho odborného predajcu ohľadom recyklačných dvorov a zberných miest. Podľa miestnych ustanovení môžu maloobchodní predajcovia byť povinní bezplatne zobrať späť použité batérie a odpad z elektrických a elektronických zariadení. Opätovným použitím a recykláciou vašich použitých batérií a vášho odpadu z elektrických a elektronických zariadení prispievate k zníženiu potreby surovín. Použitie batérie (predovšetkým lítium-iónové batérie), odpad z elektrických a elektronických zariadení obsahuje cenné, opätovne použiteľné materiály, ktoré pri ekologickej likvidácii nemôžu mať negatívne účinky na životné prostredie a vaše zdravie. Pred likvidáciou podľa možnosti vymažte na vašom použitom prístroji existujúce osobné údaje.

V

Napätie



Jednosmerný prúd

n₀

Otáčky naprázdno



Priemer pílového listu x priemer diery



Značka zhody v Európe



Značka zhody v Británii



Značka zhody na Ukrajinie



Značka zhody pre oblasť Eurázie

Dane techniczne Ukośnica	M18 SMS216
Numer produkcyjny	4745 85 04... ... 000001-999999
Prędkość bez obciążenia	2700 min ⁻¹
Napięcie baterii akumulatorowej	18V ---
Średnica ostrza piły x średnica otworu	216 x 30 mm
Grubość brzeszczotu	1,5 mm
Szerokość cięcia maks. Ucios 0°/ Nachylenie 0° Ucios 45°/ Nachylenie 0° Ucios 0°/ Nachylenie 45° Ucios 45°/ Nachylenie 45°	60 x 270 mm 60 x 190 mm 48 x 270 mm 48 x 190 mm
Min. wymiary przedmiotu obrabianego	130 x 35 x 2 mm
Zalecana temperatura otoczenia w trakcie eksploatacji	-5°C - +40°C
Zalecane zestawy akumulatorowe	M18B..., M18HB...
Zalecane ładowarki	M12-18..., M1418 C6
Ciężar wg procedury EPTA 01/2014	14,5 kg
Promieniowanie laserowe stosowane w tej pile: klasa II, maksymalnie P ≤ 1mW, długość fali λ: 620 ~ 660 nm	
Informacja dotycząca szumów Zmierzone wartości wyznaczono zgodnie z normą EN 62841. Poziom szumów urządzenia oszacowany jako A wynosi typowo: Poziom ciśnienia akustycznego (Niepewność K=3dB(A)) Poziom mocy akustycznej (Niepewność K=3dB(A)) Należy używać ochroniaczy uszu!	91,8 dB (A) 105 dB (A)

OSTRZEŻENIE

Wartość emisji hałasu podana w niniejszej karcie charakterystyki została zmierzona zgodnie ze znormalizowaną procedurą kontrolną określoną w normie EN 62841 i może być wykorzystywana do porównywania ze sobą poszczególnych narzędzi. Nadaje się również do wstępnej oceny obciążenia.

Podana wartość emisji hałasu jest aktualna w przypadku głównych zastosowań narzędzia. Jednakże jeśli narzędzie jest używane do innych celów lub w połączeniu z innymi akcesoriami, bądź nie jest poddawane należytej konserwacji, wartość emisji hałasu może się różnić. Może to znacznie zwiększyć obciążenie w całym okresie roboczym.

W celu dokładnego oszacowania poziomu hałasu należy również wziąć pod okrywy, w których narzędzie jest wyłączone lub pracuje, ale nie jest faktycznie używane. W ten sposób można znacznie zmniejszyć obciążenie w całym okresie roboczym.

Należy ustanowić dodatkowe środki bezpieczeństwa w celu ochrony operatora przed skutkami hałasu, takie jak: Konserwacja narzędzi i akcesoriów oraz organizacja procesów pracy.

Stosować środki ochrony słuchu! Hałas może powodować utratę słuchu.

OSTRZEŻENIE Przeczytać wszystkie wskazówki bezpieczeństwa, instrukcje, ilustracje i dane dołączone do urządzenia. Jeśli nie będą przestrzegane następujące przepisy, może dojść do porażenia prądem, pożaru i/lub ciężkich obrażeń ciała.

Należy starannie przechowywać wszystkie przepisy i wskazówki bezpieczeństwa dla dalszego zastosowania.

UKOŚNICE — INSTRUKCJA BEZPIECZEŃSTWA

a) **Ukośnice przeznaczone są do cięcia wyrobów drewnianych lub drewnopodobnych; nie można ich używać ze ściernicami do cięcia materiałów żelaznych, np. sztab, prętów, kołków itp.** Pyły z cięcia ściernego powodują zacinanie się części ruchomych, np. dolnej osłony. Iskry z cięcia ściernego skutkują spalaniem dolnej osłony, wkładki szczelinowej i innych elementów plastikowych.

b) **Jeśli tylko możliwe, używać zacisków do przytrzymania przedmiotu obrabianego. W razie przytrzymywania przedmiotu obrabianego dłonią, należy trzymać dłoń w odległości co najmniej 100 mm od obu stron tarczy tnącej. Nie używać tej piły do cięcia kawałków, które są zbyt małe, aby można je było przytrzymać zaciskami lub dłonią.** W razie zbyt blizkiego zbliżenia dłoni do tarczy tnącej istnieje zwiększone ryzyko obrażeń w przypadku kontaktu z ostrzem.

c) **Przedmiot obrabiany musi być nieruchomy i zaciśnięty lub dociskany zarówno do siatki, jak i do stołu. Nie ciągnąć przedmiotu obrabianego ostrzem, ani nie dokonywać cięć bez przytrzymania dłonią.** Nieumocowane lub ruchome przedmioty obrabiane mogą zostać odrzucone z dużą prędkością, powodując obrażenia ciała.

d) **Ciąć przedmiot obrabiany, naciskając piłę. Nie ciągnąć piły przez przedmiot obrabiany. Aby wykonać cięcie, unieść głowicę tnącą i wyciągnąć ją przed przedmiot obrabiany bez cięcia, uruchomić silnik, przycisnąć głowicę tnącą w dół i nacisnąć piłę przedmiot obrabiany.** Cięcie przez podciąganie może spowodować znalezieniem się brzeszczota na przedmiocie

obrabanym i gwałtownym odrzuceniu zespołu tarczy tnącej w kierunku operatora.

e) **Nigdy nie krzyżować rąk nad linią planowanego cięcia — ani przed tarczą tnącą, ani za nią.** Przytrzymywanie obrabianego przedmiotu skrzyżowanymi rękami, tzn. trzymając przedmiot obrabiany lewą ręką po prawej stronie tarczy tnącej lub odwrotnie, jest bardzo niebezpieczne.

f) **Gdy tarcza wiruje, nie sięgać dłonią za siatkę bliższą niż 100 m z obu stron tarczy tnącej w celu usunięcia resztek drewna lub z jakiegokolwiek innego powodu.** Niewielka odległość między wirującą tarczą tnącą a dłonią użytkownika może nie być widoczna na pierwszy rzut oka i może skutkować poważnymi obrażeniami ciała.

g) **Sprawdzić obrabiany przedmiot przed cięciem. Jeśli przedmiot obrabiany jest wygięty lub wypaczony, zamocować go zewnątrz stroną wygiętą skierowaną do siatki. Zawsze upewnić się, czy nie ma szczeliny pomiędzy obrabianym przedmiotem, siatką i stołem wzdłuż linii cięcia.** Wygięte lub zniekształcone przedmioty obrabiane mogą ulec skręceniu lub przesunięciu, co może spowodować ugrzęźnięcie w nich obracającej się podczas cięcia tarczy tnącej. W przedmiocie obrabianym nie powinno być żadnych gwoździ ani ciał obcych.

h) **Nie używać piły, dopóki stół nie zostanie oczyszczony z wszelkich narzędzi, ścinków drewna itp. za wyjątkiem obrabianego przedmiotu.** Małe odłamki lub luźne kawałki drewna lub inne przedmioty kontaktujące się z obracającym się ostrzem mogą zostać odrzucone z dużą prędkością.

i) **Dokonywać cięcia tylko jednego przedmiotu obrabianego na raz.** Ułożenie wielu obrabianych przedmiotów może skutkować nieodpowiednim zaciskiem lub spięciem oraz ugrzęźnięciem lub przesunięciem ostrza podczas cięcia.

j) **Przed użyciem należy upewnić się, czy ukośnica została zamontowana lub umieszczona na równej i stabilnej powierzchni roboczej.** Równa i stabilna powierzchnia robocza zmniejsza ryzyko utraty stabilności przez ukośnicę.

k) **Planować pracę. Przy każdej zmianie ustawienia kąta skosu lub ścięcia upewnić się, że regulowana osłona została ustawiona prawidłowo i wspiera obrabiany przedmiot oraz nie będzie kolidować z ostrzem lub z systemem ochrony.** Bez włączania narzędzia („ON”) i umieszczenia obrabianego przedmiotu na stole przesunąć tarczę tnącą, symulując kompletne cięcie, w celu upewnienia się, czy nie dojdzie do zakłóceń lub niebezpieczeństwa przecięcia siatki.

l) **Zapewnić odpowiednie wsparcie obrabianego przedmiotu, np. przedłużenie stołu, kozioł itp., w przypadku gdy przedmiot jest dłuższy lub szerszy niż stół.** Obrabiane przedmioty dłuższe lub szersze niż stół ukośnicy mogą przechylać się, jeśli nie są prawidłowo obrabiane. Jeśli odcięty kawałek lub obrabiany przedmiot przechylił się, może unieść dolną osłonę lub zostać odrzucony przez wirującą ostrze.

m) **Poza operatorem przy stole nie powinny znajdować się inne osoby, np. w celu zapewnienia przedłużenia stołu lub przytrzymania przedmiotu.** Niestabilne wsparcie obrabianego przedmiotu może spowodować, że ostrze lub obrabiany przedmiot upesunie się podczas cięcia, pociągając operatora i jego pomocnika na wirującą ostrzem.

n) **Należy chronić wirującą tarczę tnącą przez ugrzęźnięciem lub wcisnięciem odciętych kawałków.** W przypadku ograniczonej przestrzeni, tj. z zastosowaniem ograniczników długości, odcięty kawałek może zaklinować się przy ostrzu i zostać gwałtownie odrzucony.

o) **Zawsze używać zacisku lub osprzętu zaprojektowanego tak, aby poprawnie wesprzeć okrągłe przedmioty takie jak prety czy rurki.** Prety mają tendencję do odskakiwania podczas cięcia, powodując ukruszenie ostrza i mogą pociągnąć dłoń na ostrze.

p) **Ostrze powinno osiągnąć pełną prędkość przed dotknięciem obrabianego przedmiotu.** Zmniejsza to ryzyko odrzucenia obrabianego przedmiotu.

q) **Jeśli obrabiany przedmiot lub ostrze zacina się, wyłączyć ukośnicę. Poczekać, aż wszystkie ruchome części zatrzymają się, i odłączyć wtyczkę od źródła zasilania i/lub wyjąć akumulator.** Następnie wykonać czynności w celu uwolnienia zaklinowanego materiału. Dalsze cięcie z zaklinowanym przedmiotem obrabiany może spowodować utratę kontroli lub uszkodzenie ukośnicy.

r) **Po zakończeniu cięcia przed wyjęciem odciętego kawałka zwolnić przełącznik, skierować głowicę tnącą w dół i zaczekać, aż tarcza zatrzyma się.** Zbliżanie dłoni do spawalniającego obroty ostrza jest niebezpieczne.

s) **Trzymać mocno uchwyty przy wykonywaniu cięcia częściowego lub po zwolnieniu przełącznika, zanim głowica piły nie znajdzie się w położeniu dolnym.** Hamowanie piły może spowodować nagłe pociągnięcie głowicy piły w dół, powodując ryzyko urazów.

Dodatkowe wskazówki bezpieczeństwa i instrukcje robocze

Należy nosić osobiste wyposażenie ochronne i zawsze okulary ochronne. Noszenie osobistego wyposażenia ochronnego – maski przeciwpyłowej, nieślizgających się butów roboczych, kasku ochronnego lub środków ochrony słuchu (w zależności od rodzaju i zastosowania elektronarzędzia) – zmniejsza ryzyko obrażeń ciała.

Stosować środki ochrony słuchu! Hałas może powodować utratę słuchu.

Pył wydzielający się podczas pracy z elektronarzędziem może być szkodliwy dla zdrowia i dlatego też nie powinien on mieć kontaktu z ciałem. Stosować układ pochłaniania pyłu i nosić odpowiednią maskę ochronną. Dokładnie usunąć nagromadzony pył np. przy pomocy odkurzacza.

Podczas piłowania drewna należy podłączyć pilarkę do odkurzacza.

Przed rozpoczęciem użytkowania elektronarzędzia należy przeczytać instrukcję obsługi. O ile to możliwe, należy poprosić o zademonstrowanie pracy narzędzia.

Upewnić się, czy maszyna jest zawsze pewnie osadzona (np. zamocowana na stole warsztatowym).

Usuwać resztki materiału z podłogi np. wióry i odcięte kawałki drewna.

Nie używać brzeszczotów/tarcz, które są zniekształcone lub uszkodzone.

Nie używać ostrzy nie odpowiadających głównym parametrom podanym w instrukcji obsługi.

Wolno stosować wyłącznie narzędzia, które spełniają wymagania normy EN 847-1.

Nie używać brzeszczotów wykonanych ze stali szybko tnącej. Brzeszczot należy dobrać odpowiednio do ciętego materiału. Dopuszczalna liczba obrotów osprzętu musi być przynajmniej tak wysoka, jak maksymalna liczba obrotów podana na urządzeniu elektrycznym. Osprzęt, który obraca się szybciej niż jest to dozwolone, może pęknąć i zostać ciśnięty w powietrze.

Narzędzia muszą być transportowane i przechowywane w odpowiednim pojemniku;

Do mocowania brzeszczotu stosować tylko załączone kołnierze, pokazane w instrukcji obsługi.

Tarczówki nigdy nie używać do cięcia materiałów innych niż podane w instrukcji obsługi.

Tarczówkę do obrzynań używać wyłącznie z należytą funkcjonującą i konserwowaną osłoną. Osłona winna sama się zamykać.

Nie wolno usuwać żadnych pozostałości po cięciu lub innych części przedmiotów obrabianych gdy maszyna pracuje a głowica piły nie znajduje się w położeniu spoczynkowym.

Podczas pracy strugarki nie zbliżać się do strefy niebezpiecznej. Zawsze stosować osłony ochronne na elektronarzędziu.

Usterki maszyny, włączając w to urządzenie ochronne lub brzeszczoty, należy natychmiast po wykryciu zgłosić osobie odpowiedzialnej za bezpieczeństwo.

Nie zaciskać obrotowej osłony zabezpieczającej.

Długie przedmioty obrabiane należy odpowiednio podeprzeć.

Tarczówkę transportować tylko z zamkniętym na zatrask zabezpieczeniem transportowym na rękojeści.

Podczas wykonywania cięcia kąтового, fazowania lub złożonych cięć kątowych, dostosować ruchomy ogranicznik, aby zapewnić prawidłowy odstęp od ostrza.

Poprzez zastosowanie odpowiedniej szybkości posuwu unikać przegrzania zębów pił tarczowych, a podczas cięcia tworzy sztucznych topienia materiału.

Narzędzie robocze ma ostre krawędzie i może się nagrzewać podczas pracy.

OSTRZEŻENIE! Niebezpieczeństwo skaleczeń i oparzeń

-w trakcie obsługi narzędzi roboczych

- przy odstawianiu urządzenia

Podczas pracy z wykorzystaniem narzędzi roboczych należy nosić rękawice ochronne.

Nawet przy właściwym użytkowaniu produktu nie można całkowicie wykluczyć zagrożeń resztkowych. W przypadku stosowania mogą wystąpić następujące zagrożenia, dlatego też operator winien zwracać uwagę na następujące aspekty:

- Aby uniknąć uszkodzenia słuchu należy ograniczyć czas ekspozycji (na hałas) i używać odpowiedniej ochrony słuchu.
- Należy używać maski do ochrony dróg oddechowych w celu wyeliminowania zagrożenia zdrowotnych, które mogą zaistnieć na skutek wdychania pyłu pochodzącego z piłowania.

LASER

Nie patrzeć w kierunku promienia lasera i nie kierować promienia na inne osoby.

Nie patrzeć w kierunku lasera poprzez przyrządy optyczne (lornetki, lunety).

Nie kierować lasera na powierzchnie odbijające światło.

Nie narażać się na działanie promieni lasera. Laser może emitować silne promieniowanie.

Nie zamieniać wbudowanego lasera na laser innego typu.

Naprawy winny być prowadzone przez autoryzowanych techników serwisowych.

WARUNKI UŻYTKOWANIA

Tarczówka do obrzynań jest przeznaczona do cięcia drewna litego, drewna klejonego, materiałów drewnopochodnych i tworzyw sztucznych.

Nie wolno ciąć przedmiotów obrabianych o przekroju okrągłym lub nieregularnym (np. drewno kominkowe, ponieważ nie są one pewnie zamocowane podczas cięcia. Podczas cięcia pionowego przedmiotów płaskich należy stosować oparcie pomocnicze do pewnego prowadzenia.

ZAGROŻENIA RESZTKOWE

Nawet przy właściwym użytkowaniu produktu nie można całkowicie wykluczyć zagrożeń resztkowych. W przypadku stosowania mogą wystąpić następujące zagrożenia, dlatego też operator winien zwracać uwagę na następujące aspekty:

- Obrażenia spowodowane przez wibracje. Urządzenie należy trzymać za przeznaczony w tym celu uchwyt i ograniczać czas pracy i czas ekspozycji.
- Uciążliwość akustyczna może prowadzić do uszkodzeń słuchu. Należy mieć na sobie nauszники i ograniczać czas trwania ekspozycji.
- Obrażenia oczu spowodowane przez cząstki brudu. Należy zawsze mieć na sobie okulary ochronne, solidne długie spodnie i solidne buty robocze.
- Wdychanie toksycznego pyłu.

DEKLARACJA ZGODNOŚCI CE

Oświadczamy na naszą wyłączną odpowiedzialność, że produkt opisany pod "Dane techniczne" spełnia wszystkie istotne przepisy dyrektyw

2011/65/EU, (EU) 2015/863 (RoHS)

2006/42/EC

2014/30/EU

i zastosowano następujące zharmonizowane normy był używany

EN 62841-1:2015+A11:2022

EN IEC 62841-3-9:2020+A11:2020

EN IEC 55014-1:2021

EN IEC 55014-2:2021

EN IEC 63000:2018



Winnenden, 2022-12-12

Alexander Krug / Managing Director

Upelnomocniony do zestawienia danych technicznych

Techtronic Industries GmbH

Max-Eyth-Straße 10, 71364 Winnenden, Germany

BATERIE AKUMULATOROWE

Akumulatory, które nie były przez dłuższy czas użytkowane, należy przed użyciem naładować. W temperaturze powyżej 50°C następuje spadek osiągniętych pojemności akumulatorowej. Unikać długotrwałego wystawienia na oddziaływanie ciepła lub promieni słonecznych (niebezpieczeństwo przegrzania).

Styki ładowarek i wkładek akumulatorowych należy utrzymywać w czystości.

Dla zapewnienia optymalnej żywotności akumulatory po użyciu należy naładować do pełnej pojemności.

Dla zapewnienia możliwie długiej żywotności akumulatory należy wyjąć ładowarki po ich naładowaniu.

W przypadku składowania akumulatorów dłużej aniżeli 30 dni: Akumulator przechowywać w temperaturze nieprzekraczającej 27°C i z dala od wilgoci. Przechowywać je w stanie naładowanym do ok. 30% - 50%.

TRANSPORT AKUMULATORÓW LITOWO-JONOWYCH

Transport akumulatorów litowo-jonowych

Transport tych akumulatorów winien odbywać się przy przestrzeganiu lokalnych, krajowych i międzynarodowych rozporządzeń i przepisów.

Odbiorcom nie wolno transportować tych akumulatorów po drogach od tak po prostu.

Komersyjny transport akumulatorów litowo-jonowych przez przedsiębiorstwa spedycyjne podlega przepisom dotyczącym transportu towarów niebezpiecznych. Przygotowania do wysyłki oraz transport mogą być wykonywane wyłącznie przez odpowiednio przeszkolone osoby. Cały proces winien odbywać się pod fachowym nadzorem.

W czasie transportu akumulatorów należy przestrzegać następujących punktów:

Celem uniknięcia zwarć należy upewnić się, że zestyki są zabezpieczone i zaizolowane. Zwracać uwagę na to, aby zespół akumulatorów nie mógł się przemieszczać we wnętrzu opakowania. Nie wolno transportować akumulatorów uszkodzonych lub z wyciekającym z elektrolitem. Odnośnie dalszych wskazań należy zwrócić się do swojego przedsiębiorstwa spedycyjnego.

ZABEZPIECZENIE PRZECIĄŻENIOWE AKUMULATORA

W przypadku przeciążenia akumulatora na skutek zbyt dużego poboru prądu, np. nadzwyczaj wysokich momentów obrotowych, zakleszczenie narzędzia roboczego, gwałtownego zatrzymania lub zwarcia, elektronarzędzie zatrzyma się w ciągu 2 sekund i samoczynnie się wyłączy. Aby zresetować, wystarczy wyjąć baterie z narzędzia i wymienić je. Przy ekstremalnych obciążeniach akumulator nagrzewa się za mocno. W takim przypadku wszystkie lampki wskaźnika ładowania migają tak długo, aż akumulator ochłodzi się. Po zgaśnięciu wskaźnika ładowania można kontynuować pracę. Wówczas należy wetknąć akumulator do ładowarki, aby go ponownie naładować i aktywować.

UTRZYMANIE I KONSERWACJA

Przed przystąpieniem do jakichkolwiek prac na elektronarzędziu należy wyjąć wkładkę akumulatorową.

Należy pamiętać, aby przed założeniem lub zdjęciem tarczy tnącej wyjąć wtyczkę z gniazda sieciowego.

Wymieniać zużyty wkładkę stołu.

Oczyścić urządzenie i elementy zabezpieczające za pomocą suchej ściereczki.

Otwory wentylacyjne elektronarzędzia muszą być zawsze drożne.

Używać tylko i wyłącznie wyposażenia dodatkowego Milwaukee i części zamiennych Milwaukee. Gdyby trzeba było wymienić części, które nie zostały opisane, należy skontaktować się z przedstawicielem serwisu Milwaukee (patrz wykaz adresów punktów usługowych/gwarancyjnych).

Na życzenie można otrzymać rysunek widoku zespołu rozebranego. Przy zamawianiu należy podać numer oraz typ elektronarzędzia umieszczony na tabliczce znamionowej. Zamówienia można dokonać albo u lokalnych przedstawicieli serwisu, albo bezpośrednio u Techtronic Industries GmbH, Max-Eyth-Straße 10, 71364 Winnenden, Germany.

SYMBOLY



UWAGA! OSTRZEŻENIE NIEBEZPIECZEŃSTWO!



Przed przystąpieniem do jakichkolwiek prac na elektronarzędziu należy wyjąć wkładkę akumulatorową.



Przed uruchomieniem elektronarzędzia zapoznać się uważnie z treścią instrukcji.



Podczas pracy należy zawsze nosić okulary ochronne.



Należy używać ochroniaczy uszu!



Nosić rękawice ochronne!



Nie należy nigdy wkładać rąk w strefę brzeszczotu piły.



Chronić maszynę przed deszczem.



Ten produkt zawiera konsumencki produkt laserowy klasy 2 zgodnie z

EN 60825-1:2014+A11:2021 oraz EN 50689:2021.

Nie patrzeć na promień lasera.



Zużyte baterie oraz zużyty sprzęt elektryczny i elektroniczny nie może być usuwany razem z odpadami pochodzącymi z gospodarstw domowych. Zużyte baterie oraz zużyty sprzęt elektryczny i elektroniczny należy gromadzić i usuwać oddzielnie. Przed utylizacją należy usunąć z urządzeń zużyte baterie, zużyte akumulatory oraz źródła światła. Proszę zasięgnąć informacji o centrach recyklingowych i punktach zbiorczych u władz lokalnych lub u wyspecjalizowanego dostawcy. W zależności od lokalnych przepisów, sprzedawcy detaliczni mogą być zobowiązani do bezpłatnego odbioru zużytego sprzętu elektrycznego i elektronicznego. Poprzez ponowne wykorzystanie i recykling zużytych baterii oraz zużytego sprzętu elektrycznego i elektronicznego pomagamy zmniejszać zapotrzebowanie na surowce. Zużyte baterie (zwłaszcza baterie litowo-jonowe) oraz zużyty sprzęt elektryczny i elektroniczny zawierają cenne materiały nadające się do recyklingu, które mogą mieć negatywny wpływ na środowisko naturalne i zdrowie użytkownika, jeśli nie zostaną zutylizowane w sposób przyjazny dla środowiska. Przed utylizacją zużytego sprzętu należy usunąć wszelkie zamieszczone na nim dane osobowe.

V

Napięcie



Prąd stały

n₀

Prędkość bez obciążenia



Średnica ostrza piły x średnica otworu



Europejski Certyfikat Zgodności



Brytyjski Certyfikat Zgodności



Ukraiński Certyfikat Zgodności



EAC Euroazjatycki Certyfikat Zgodności

Műszaki adatok Gérvágófűrész	M18 SMS216
Gyártási szám	4745 85 04... ... 000001-999999
Üresjárat fordulatszám	2700 min ⁻¹
Akkumulátor feszültség	18V ---
Fűrészlap átmérő x lyukátmérő	216 x 30 mm
Fűrészlap vastagság	1,5 mm
Vágás szélesség max. forgásszög 0°/ dőlésszög 0° forgásszög 45°/ dőlésszög 0° forgásszög 0°/ dőlésszög 45° forgásszög 45°/ dőlésszög 45°	60 x 270 mm 60 x 190 mm 48 x 270 mm 48 x 190 mm
Min. munkadarab méretek	130 x 35 x 2 mm
Üzemeléshez ajánlott környezeti hőmérséklet	-5°C - +40°C
Ajánlott akkusomagok	M18B..., M18HB...
Ajánlott töltőkészülékek	M12-18..., M1418 C6
Súly a 01/2014 EPTA-eljárás szerint	14,5 kg
Az ebben a fűrészgépben alkalmazott lézer sugárzása II. osztályba sorolt, maximálisan P≤1mW teljesítményű és λ: 620 ~ 660 nm hullámhosszú.	
Zajinformáció A közölt értékek megfelelnek az EN 62841 szabványnak. A készülék munkahelyi zajszintje tipikusan:	
Hangnyomás szint (K bizonytalanság=3dB(A)) Hangteljesítmény szint (K bizonytalanság=3dB(A)) Hallásvédő eszköz használata ajánlott!	91,8 dB (A) 105 dB (A)

FIGYELMEZTÉS

Az ebben a tájékoztatóban megadott zajkibocsátási értéket az EN 62841 szabványosított teszteljárás szerint mérték, és felhasználható a szerszámok egymással történő összehasonlításához. A terhelés előzetes megbecsülésére is alkalmas.

A megadott zajkibocsátási érték a szerszám legfőbb alkalmazásait reprezentálja. Ha a szerszámot azonban más alkalmazásokra vagy eltérő tartozékokkal használja, illetve nem megfelelően tartja karban, úgy a zajkibocsátási érték eltérhet ettől. Ez jelentősen megnövelheti a terhelést a munkavégzés teljes idejére.

A zajterhelés pontos megállapításához azokat az időszakokat is figyelembe kell venni, amikor a szerszám ki van kapcsolva, vagy ugyan meggy, de ténylegesen nem használják. Ez jelentősen lecsökkentheti a terhelést a munkavégzés teljes idejére.

A kezelő zajhatás elleni védelme érdekében határozottan meg további biztonsági intézkedéseket, pl. a szerszám és a tartozékok karbantartása, valamint a munkafolyamatok szervezése.

Viseljen hallásvédőt. A zaj hatása hallásveszteszt okozhat.

▲ FIGYELMEZTETÉS Olvasson el minden, a géppel együtt megkapott biztonsági utalást, utasítást, ábrázolást és adatot. Ha nem tartja be a következő előírásokat, akkor ez áramütéshez, tűzhoz és/vagy súlyos személyi sérülésekhez vezethet. **Kérjük a későbbi használatra gondosan őrizze meg ezeket az előírásokat.**

▲ BIZTONSÁGI UTASÍTÁSOK A GÉRVÁGÓ FÜRÉS Z HASZNÁLATÁHOZ

a) **A gérvágó fűrész fából vagy fához hasonló anyagból készült termékek vágására szolgál, csiszoló vágókerékkel vas anyagú árucikkekhez – például különféle rúdtípusok – nem használható.** A csiszolási művelet közben keletkező por a mozgó alkatrészek (pl. alsó védőelem) elakadását okozza. A csiszoló vágás során keletkező szikra hatására az alsó védőelem, a horonybetét és az egyéb műanyag alkatrészek meggyulladnak.

b) **Amikor csak lehetséges, használjon satut a munkadarab befogásához. Ha kézzel támasztja meg a munkadarabot, tartson legalább 100 mm-es biztonsági távolságot a fűrészlap oldalaitól. Ne használja a fűrész a biztonságos befogáshoz vagy kézzel való rögzítéshez túl apró darabok vágásához.** Ha túl közel tartja a kezét a fűrészlaphoz, megnöveli az annak megérintéséből származó sérülés kockázatát.

c) **A munkadarabot rögzíteni kell, vagy neki kell nyomni a párhuzamvezetőnek és az asztalnak. Ne tegye a munkadarabot a fűrészlaphoz, és ne hajtson végre semmilyen módon „kézi vágást”.** A nem rögzített vagy mozgó alkatrészek nagy sebességgel kirepülhetnek, és sérülést okozhatnak.

d) **Nyomja neki a fűrészlapot munkadarabnak (ne húzza azon). A vágáshoz emelje fel a fűrészfejet, és húzza át a munkadarab felett, anélkül, hogy vágást hajtana végre. Indítsa el a motort, nyomja le a fűrészfejet, és nyomja neki**

a fűrészlapot munkadarabnak. A vágásnál, húzó mozdulat hatására előfordulhat, hogy a fűrészlap „felmászik” a munkadarabra, és a fűrészlap erőteljesen a kezelőnek csapódik.

e) **Soha ne nyúljon át a kívánt vágási vonal felett, a fűrészlap előtt, ill. mögött.** A munkadarab „átnyúlással”, valamint bal kézzel a fűrészlap jobb oldalán, illetve jobb kézzel a bal oldalán való megtámasztása nagyon veszélyes művelet.

f) **Ne nyúljon a párhuzamvezető mögé a fűrészlap bármelyik oldalától mért 100 mm-es távolságon belül a faforgács eltávolításához vagy egyéb okból, mialatt a fűrészlap forog.** Előfordulhat, hogy a kezelő nem észleli a forgó fűrészlap közelségét, és emiatt súlyos sérülést szenvedhet.

g) **Vizsgálja meg a munkadarabot a vágás előtt. Ha görbe vagy vetemedés jeleit mutatja, szorítsa ki a meggörbült oldalával a párhuzamvezetőhöz. Minden esetben ügyeljen arra, hogy ne legyen rés a munkadarab, a párhuzamvezető és az asztal között, a vágás vonalában.** A hajlott vagy megvetemedett munkadarabok megcsavarodhatnak vagy elmozdulhatnak, és vágás közben a forgó fűrészlaphoz tapadhatnak. Szeg vagy idegen tárgy nem lehet a munkadarabon.

h) **Ne használja a fűrész mindaddig, míg el nem távolította az asztalról az összes szerszámot (kivéve a munkadarabot), és meg nem tisztította az asztalt a faforgácstól és egyéb hulladékoktól.** Az apró törmelék, a szabad farészek vagy a forgó fűrészlappal érintkező egyéb tárgyak nagy sebességgel kirepülhetnek.

i) **Egyszerre csak egy munkadarab vágását végezze.** Több munkadarab nem fogatható be és nem rögzíthető megfelelően, és ezek a munkadarabok a fűrészlaphoz tapadhatnak vagy a vágás során elmozdulhatnak.

j) **Használat előtt helyezze a gérvágó fűrész egy sima, masszív munkafelületre.** A sima, masszív felület csökkenti a gérvágó fűrész instabilitásának kockázatát.

k) **Tervezze meg a munkafolyamatot. Ha megváltoztatja a gérvágó fűrész szögbeállításait, minden esetben ügyeljen arra, hogy az állítható párhuzamvezető úgy legyen beállítva, hogy megfelelően rögzítse a munkadarabot, és az ne érintkezzen a fűrészlappal vagy a védőrendszerrel.** Az eszköz bekapcsolása nélkül, és anélkül, hogy munkadarabot helyezne az asztalra, hajtja végre a fűrészlap teljes vágásának szimulációját, biztosítva, hogy a párhuzamvezető vágása ne ütközzön akadályba, és ne idézzen elő veszélyt.

l) **Az asztallapnál szélesebb vagy hosszabb munkadarab esetében gondoskodjon a megfelelő rögzítésről (pl. az asztal meghosszabbítása, fűrészbak stb.).** A gérvágó fűrész asztalánál hosszabb vagy szélesebb munkadarabok megfelelő rögzítés hiányában felbillenhetnek. Ha a levágott (munka)darab felbillen, megemelheti az alsó védőelemet, vagy a forgó fűrészlap kirepítheti.

m) **Az asztal meghosszabbítása helyett vagy további rögzítés céljából ne vegye igénybe másik személy segítségét.** A munkadarab instabil rögzítése a fűrészlap tapadását idézheti elő, illetve a vágási művelet során elmozdult munkadarab a kezelőt és segítőjét a forgó fűrészlaphoz ránthatja.

n) **A levágott darabot semmilyen körülmények között sem szabad a forgó fűrészlaphoz nyomni.** Helyhiány esetén (pl. hosszirányú útközök használatakor) a levágott darab a fűrészlapba ékelődhet, és erőteljesen kirepülhet.

o) **A kerek anyagok (pl. rudak vagy csövek) rögzítéséhez minden esetben használjon szorítót vagy a célnak megfelelő eszközt.** A rudak a vágás során kifordulhatnak, minek következtében a fűrészlap odakaphat, és a kezelő a munkadarabot a fűrészlaphoz húzhatja.

p) **A fűrészlapnak a munkadarabbal való érintkezés előtt el kell érnie a maximális sebességet.** Ezáltal csökkenthető a munkadarab kirepülésének kockázata.

q) **Ha a munkadarab vagy a fűrészlap beszorul, a gérvágó fűrész ki kell kapcsolni. Várja meg, míg minden mozgó alkatrész leáll, húzza ki a dugót az áramforrásból, és/vagy vegye ki az akkumulátorcsomagot. Ezután könnyedén eltávolíthatja a beszorult anyagot.** A beszorult munkadarab mellett végzett folyamatos fűrészhasználat ellenőrizetlen folyamatot idézhet elő, vagy károsíthatja a gérvágó fűrész.

r) **A vágási művelet befejeztével engedje fel a kapcsolót, tartsa lent a fűrészfejet, és várja meg, míg a fűrészlap leáll, mielőtt eltávolítja a levágott darabot.** A fűrészlap közelébe nyúlni veszélyes!

s) **Tartsa erősen a fogantyút, ha nem teljes vágást hajt végre, vagy ha azelőtt engedí fel a kapcsolót, hogy a fűrészfej teljesen elérje az alsó pozíciót.** A fűrész fékező hatásának eredményeként a fűrészfej hirtelen lenyomódhat, ami sérülésveszélyt idézhet elő.

További biztonsági és munkavégzési utasítások

Viseljen személyi védőfelszerelést és mindig viseljen védőszemüveget. A személyi védőfelszerelések, mint porvédő álc, csúszásbiztos védőcipő, védősapka és fülvédő használata az elektromos kéziszerszám használata jellegének megfelelően csökkenti a személyes sérülések kockázatát.

Viseljen hallásvédőt. A zaj hatása hallásveszteszt okozhat.

A munkavégzőkor keletkező por az egészségre ártalmas lehet. Ilyen esetben ajánlatos a megfelelő elszívó berendezés és a védőmaszk használata. A munkaterületen lerakódott port alaposan el kell takarítani.

Fa vágások csatlakoztassa a fűrész porleszívóra.

A készülék első használata előtt szíveskedjen a kezelési útmutatót figyelmesen átolvasni és a gyakorlati tudnivalókat elsajátítani.

Biztosítani kell, hogy a gép helyzete állandóan biztonságos legyen (pl. rögzítve legyen a munkapadon).

A padlót anyagmaradványoktól, pl. forgácstól és fűrészlelési maradványoktól tisztán kell tartani.

Nem szabad sérült vagy deformálódott vágólapot használni.

Ne használjon olyan fűrészlapot, ami nem egyezik meg a használati útmutatóban feltüntetettekkel.

Csak olyan szerszámot szabad használni, amely megfelel az EN 847-1 előírásainak.

Ne használjanak gyorsacélból készült fűrészlapokat!

Válasszanak a vágni kívánt anyagnak megfelelő fűrészlapot!

Az alkalmazott szerszámalkatrész megengedett fordulatszámának legalább annyinak kell lennie, mint az elektromos szerszámon megadott legnagyobb fordulatszám. Az olyan tartozék, ami a megengedett fordulatszámán gyorsabban forog, eltörhet vagy lerepülhet.

A szerszámokat csak arra alkalmas tartóban szállítsa és tárolja; A fűrészlap rögzítéséhez csak a mellékelt és a kezelési útmutatóban ábrázolt karimát szabad használni!

A darabolófűrész nem szabad más anyagok vágására használni, mint ami a kezelési útmutatóban szerepel.

A fejező fűrész csak biztonságosan működő és jól karbantartott védőburkolattal szabad használni. A védőburkolatnak önműködően vissza kell fordulni.

Ha a gép jár és a fűrészfej nincs nyugalmi állapotban, nem szabad eltávolítani fűrészelési maradványokat vagy más munkadarabrészeket a fűrészelési tartományból.

A működő készülék munkaterületére nyúlni balesetveszélyes és tilos. A készülék biztonságttechnikai felszereléseit feltétlenül használni kell.

A gépben, a védőberendezésben vagy a fűrészlapokon jelentkező hibákat észlelésük után azonnal jelenteni kell a biztonságért felelős személynek.

Ne szorítsa be a forgórészt védő csappantyút.

A hosszú munkadarabokat alkalmas módon meg kell támasztani. A darabolófűrész a fogantyún rögzített szállításbiztosítóval kell szállítani!

Gérvágás, ferdevágás vagy összetett vágások végrehajtásakor úgy állítsa be a gérvágó vezetőszínt, hogy biztosítsa a megfelelő hégagot a vágólaptól.

A megfelelő előtolási sebesség megválasztásával kerülje el a fűrészlap túlhevülését, valamint műanyagok vágásakor az anyag megolvadását.

A betétszerszám éles szélű, és az alkalmazás során felforrósodhat. FIGYELMEZTETÉS! Vágási és égési sérülések veszélye

-a betétszerszámok kezelésekor
-a készülék lerakásakor

A betétszerszámok kezelésekor védőkesztyűt kell használni. Fennmaradó veszélyek még a termék szabályos használata mellett sem zárhatók ki teljes egészében. Az alkalmazás során a következő kockázatok merülhetnek fel, ezért a kezelőnek be kell tartania az alábbiakat:

- A halláskárosodás elkerülése érdekében korlátozni kell az expozíció idejét, és megfelelő hallásvédőt kel viselni.
- Légzésvédő maszkot kell viselni azon egészségügyi kockázatok csökkentésére, amelyek a fűrészpor belélegzése által keletkezhetnek.

LÉZER

Tilos a lézersugárba nézni, és nem szabad más személyekre irányítani. Tilos optikai segédesszközökkel (messzelátó, távcsó) a lézerbe nézni.

A lézert nem szabad visszaverő felületre irányítani.

Ne tegye ki magát a lézersugárzásnak. A lézer erős sugárzás bocsáthat ki.

Sohase cserélje ki a készülékbe beépített lézert egy más típusú lézere. Javításokat csak arra feljogosított szerviztechnikusok végezhetnek.

RENDELTESSZERŰ HASZNÁLAT

A fejező fűrész tömör fák, ragasztott fák, fához hasonló anyagok és műanyagok fűrészelésére használható.

Nem szabad kör-, vagy szabálytalan keresztmetszetű munkadarabokat (pl. tűzifa) fűrészelni, mivel a fűrészéleskor nem lehet ezeket biztosan rögzíteni. Az élére állított lapos munkadarabok fűrészelésénél a biztos megvezetéshez egy megfelelő segédítőközt kell használni.

FENNMARADÓ VESZÉLYEK

Fennmaradó veszélyek még a termék szabályos használata mellett sem zárhatók ki teljes egészében. Az alkalmazás során a következő kockázatok merülhetnek fel, ezért a kezelőnek be kell tartania az alábbiakat:

- Vibráció okozta sérülések. A készüléket az e célra szolgáló markolatoknál fogja meg és korlátozza a munka- és expozíciós időt.
- A zajterhelés halláskárosodást okozhat. Viseljen hallásvédőt és korlátozza az expozíciós időt.
- Szennyrészecskék által okozott szemsérülések. Viseljen mindig védőszemüveget, erős hosszú nadrágot és ellenálló lábbelit.
- Mérgező porok belélegzése

CE-AZONOSSÁGI NYILATKOZAT

Kizárólagos felelősségünk alapján kijelentjük, hogy a „Műszaki adatok” fejezetben leírt termék megfelel a irányelvek összes vonatkozó rendelkezésének

2011/65/EU, (EU) 2015/863 (RoHS)
2006/42/EC
2014/30/EU

harmonizált szabvány és a használtak

EN 62841-1:2015+A11:2022
EN IEC 62841-3-9:2020+A11:2020
EN IEC 55014-1:2021
EN IEC 55014-2:2021
EN IEC 63000:2018

 Winnenden, 2022-12-12



Alexander Krug / Managing Director
Műszaki dokumentáció összeállításra felhatalmazva
Techtronic Industries GmbH
Max-Eyth-Straße 10, 71364 Winnenden, Germany

AKKUMULÁTOR

A hosszabb ideig üzemén kívül lévő akkumulátort használat előtt ismétlenül fel kell tölteni. 50°C feletti hőmérsékletnél csökkenhet az akkumulátor teljesítménye. Kerülni kell a túlzottan meleg helyen vagy napon történő hosszabb idejű tárolást.

A töltő és az akkumulátor csatlakozóit mindig tisztán kell tartani.

Az optimális élettartam érdekében használat után az akkukat teljesen fel kell tölteni.

A lehetőleg hosszú élettartamhoz az akkukat feltöltés után ki kell venni a töltőkészülékéből.

Az akku 30 napot meghaladó tárolása esetén: Az akkumulátort 27 °C-os hőmérséklet alatti és nedvességtől védett helyen tárolja. Az akkut kb. 30-50%-os töltöttségi állapotban kell tárolni.

LÍTIUM-ION AKKUK SZÁLLÍTÁSA

Lítium-ion akkuk szállítása

Az ilyen akkuk szállításának a helyi, országos és nemzetközi előírások és rendelkezések betartása mellett kell történnie.

A fogyasztók minden további nélkül szállíthatják az ilyen akkukat közúton.

A lítium-ion akkuk szállítmányozási vállalatok általi kereskedelmi célú szállítására a veszélyes áruk szállítására vonatkozó rendelkezések érvényesek. A kiszállítás előkészítését és a szállítást kizárólag megfelelő képzettségű személyek végezhetik. A teljes folyamatnak szakmai felügyelet alatt kell történnie.

A következő pontokat kell figyelembe venni akkuk szállításakor: Biztosítsa, hogy a rövidzárlatok elkerülése érdekében az érintkezők védve és szigetelve legyenek. Ügyeljen arra, hogy az akkucsomag ne tudjon elcsúszni a csomagoláson belül. Tilos sérült vagy kifolyt akkukat szállítani. További útmutatósként forduljon szállítványozási vállalatához.

AZ AKKUMULÁTOR TÚLTERHELÉS ELLENI VÉDELME

Az akkumulátor nagyon magas áramfogyasztással való túlterhelése esetén, pl. rendkívül nagy nyomatok, a szerszám beszorulása, hirtelen leállítás vagy rövidzárlat miatt, az elektromos szerszám 2 másodpercre leáll és magától lekapcsol. A készülék visszaállításához vegye ki az akkumulátorcsomagot a szerszámból, és cserélje ki. Rendkívüli terheléseknél az akku túlságosan felmelegszik. Ebben az esetben a töltéskijelző minden lámpája addig villog, amíg az akku le nem hűl. Ha a töltéskijelző kialszik, utána tovább lehet dolgozni. Az ismételt feltöltéshez és aktiváláshoz ekkor dugja az akkut a töltőkészülékbe.

KARBANTARTÁS

Karbantartás, javítás, tisztítás, stb. előtt az akkumulátort ki kell venni a készülékből.

A fűrészlap felhelyezése és eltávolítása előtt ügyeljen arra, hogy kihúzza a szerszámot az elektromos hálózatból.

Az elhasználadott asztalbetétet ki kell cserélni.

A készüléket és a védőeszközt száraz kendővel tisztítsa.

A készülék szellőzőnyílásait mindig tisztán kell tartani.

Csak Milwaukee tartozékokat és Milwaukee pótalkatrészeket szabad használni. Az olyan elemeket, melyek cseréje nincs ismertette, cseréltesse ki Milwaukee szervizzel (lásd Garancia/Ügyfélszolgálat címei kiadványt).

Szükség esetén a készülékek robbantott ábráját - a készülék típusa és azonosító száma alapján a területileg illetékes TTI márkaszerviztől vagy közvetlenül a gyártótól (Techtronic Industries GmbH, Max-Eyth-Straße 10, 71364 Winnenden, Germany) lehet kérni.

SZIMBÓLUMOK



FIGYELEM! FIGYELMEZTETÉS! VESZÉLY!



Karbantartás, javítás, tisztítás, stb. előtt az akkumulátort ki kell venni a készülékből.



Kérjük alaposan olvassa el a tájékoztatót mielőtt a gépet használja.



Munkavégzés közben ajánlatos védőszemüveget viselni.



Hallásvédő eszköz használata ajánlott!



Hordjon védőkesztyűt!



A kezeknek soha nem szabad a fűrészlap tartományába kerülniük.



A gépet nem szabad esőnek kitenni.



Ez a termék 2. osztályú fogyasztói lézerterméket tartalmaz a szerint

EN 60825-1:2014+A11:2021 és EN 50689:2021.
Tilos a lézersugárba nézni.



A hulladékelemeket, az elektromos és elektronikus berendezések hulladékait nem szabad a háztartási hulladékkal együtt ártalmatlanítani. A hulladékelemeket, az elektromos és elektronikus berendezések hulladékait elkülönítve kell gyűjteni és ártalmatlanítani. Az ártalmatlanítás előtt távolítsa el a hulladékelemeket, a hulladékkumulátorokat és az izzókat a berendezésekből. A helyi hatóságoknál vagy szakkereskedőjénél tájékozódjon a hulladékudvarokról és gyűjtőhelyekről. A helyi rendelkezésektől függően a kiskereskedők kötelesek lehetnek a hulladékelemeket, az elektromos és elektronikus berendezések hulladékait ingyenesen visszavenni. A hulladékelemek, az elektromos és elektronikus berendezések hulladékainak újrahasználatával vagy újrahasznosításával járuljon hozzá a nyersanyagszükséglet csökkentéséhez. A hulladékelemek (mindenekelőtt a lítium-ion elemek), az elektromos és elektronikus berendezések hulladékai értékes újrahasznosítható anyagokat tartalmaznak, melyek környezetvédelmi szempontból nem megfelelő ártalmatlanítás esetén negatív hatással lehetnek a környezetre és az Ön egészségére. Ártalmatlanítás előtt törölje a használt készüléken lévő lehetséges személyes adatokat.

V Feszültség

== Egyenáram

n₀ Üresjárat fordulatszám



Fűrészlap átmérő x lyukátmérő



Európai megfelelőségi jelölés



Egyesült királyságbeli megfelelőségi jelölés



Ukrán megfelelőségi jelölés



Eurázsiai megfelelőségi jelölés

Tehnični podatki Potezna žaga	M18 SMS216
Proizvodna številka	4745 85 04... ... 000001-999999
Število vrtljajev v prostem teku	2700 min ⁻¹
Napetost izmenljivega akumulatorja	18V ---
List žage ø x vrtlalni ø	216 x 30 mm
debelina žaginega lista	1,5 mm
Širina reza maks. Jeralni kot vodoravno 0° / Jeralni kot navpično 0° Jeralni kot vodoravno 45° / Jeralni kot navpično 0° Jeralni kot vodoravno 0° / Jeralni kot navpično 45° Jeralni kot vodoravno 45° / Jeralni kot navpično 45°	60 x 270 mm 60 x 190 mm 48 x 270 mm 48 x 190 mm
Minimalna izmere obdelovalnega kosa	130 x 35 x 2 mm
Priporočena temperatura okolice za obratovanje	-5°C - +40°C
Priporočeni kompleti akumulatorjev	M18B..., M18HB...
Priporočeni polnilniki	M12-18..., M1418 C6
Teža po EPTA-proceduri 01/2014	14,5 kg
Lasersko sevanje, uporabljeno pri tej žagi je Razreda II z največ P ≤ 1mW in λ: 620 ~ 660 nm valovne dolžine.	
Informacije o hrupnosti Vrednosti merjenja ugotovljene ustrezno z EN 62841. Raven hrupnosti naprave ovrednotena z A, znaša tipično: Nivo zvočnega tlaka (Nevarnost K=3dB(A)) Višina zvočnega tlaka (Nevarnost K=3dB(A)) Nosite zaščito za sluh!	91,8 dB (A) 105 dB (A)



Slo

OPAZORILO

Raven vibracij, navedena v tehničnem listu, je bila izmerjena ustrezno standardiziranemu merilnemu postopku v EN 62841 in se lahko uporabi za primerjavo orodij med seboj. Primerna je tudi za začasno oceno obremenitve.

Navedena raven vibracij predstavlja dejanske uporabe orodja. Če pa se orodje uporabi za druge uporabe ali z odstopajočim priborom ali ni zadostno vzdrževano, lahko raven vibracij odstopa. To lahko obremenitev občutno poveča skozi celotno delovno obdobje. Za natančno oceno obremenitve z vibracijami je treba upoštevati tudi obdobja, v katerih je naprava izklopljena ali sicer dela, vendar se dejansko ne uporablja. To lahko obremenitev občutno zmanjša skozi celotno delovno obdobje.

Določite dodatne varnostne ukrepe za zaščito upravljalca pred učinki vibracij, kot na primer: vzdrževanje električnih orodij in pribora ter organizacija delovnih postopkov. Nosite zaščito za sluh. Hrup lahko povzroči izgubo sluha.

OPAZORILO Preberite vse varnostne napotke, navodila, prikaze in podatke, ki ste jih prejeli skupaj z napravo. Zaradi nespoštovanja spodaj navedenih navodil lahko pride do električnega udara, požara in/ali težkih telesnih poškodb. Vsa opozorila in napotila shranite, ker jih boste v prihodnje še potrebovali.

VARNOSTNA NAVODILA ZA ZAJERALNE ŽAGE

a) Zajeralne žage so namenjene rezanju lesa ali lesu podobnih izdelkov, ni jih mogoče uporabljati z brusilnimi rezalnimi koluti za rezanje železnih materialov kot so palice, drogovi, žebliji, itd. Brusni prah povzroča, da se gibljivi deli, kot je spodnji

ščitnik, zagozdijo. Iskre povzročene z brusilnim rezanjem bodo stopile spodnji ščitnik, mizni vstavek in druge plastične dele.

b) **Kadar je mogoče, za podporo obdelovanca uporabite primeže. V primeru podpiranja obdelovanca z roko, morate roko vedno držati vsaj 100 mm stran od obeh strani žaginega lista. Te žage ne uporabljajte za rezanje kosov, ki so premajhni, da bi jih lahko varno pritrtili ali ročno držali.** Če je vaša roka postavljena preblizu žaginemu listu, obstaja povečana nevarnost poškodb zaradi stika z rezilom.

c) **Obdelovanec mora biti v mirovanju in vpet ali pridrzan tako ob ograjo kot ob mizo. Obdelovanca ne potiskajte v rezilo ali režite "prostorčno" na kakršen koli način.** Neprivezani ali premikajoči se obdelovanca so pri visokih hitrostih lahko izvrženi in povzročijo poškodbe.

d) **Potisnite žago skozi obdelovanec. Ne vlecite žage skozi obdelovanec. Da bi naredi rez, dvignite glavo žage in jo povlecite preko obdelovanca, ne da bi pri tem zarezali vanj, zaženite motor, pritisnite glavo žage navzdol in potisnite žago skozi obdelovanec.** Rezanje na poteg lahko povzroči, da se žagin list vzpne na vrh obdelovanca in nasilno izvrže sklop rezil proti uporabniku.

e) **Z roko nikoli ne prečkajte predvidene linije za rezanje tako pred kot za žaginim listom.** Podpiranje obdelovanca z prekrizanimi rokami, torej držanje obdelovanca desno od žaginega lista z levo roko in obratno, je zelo nevarno.

f) **Medtem ko se rezilo vrti, z nobeno roko ne segajte za ograjo bližje kot 100 mm od obeh strani žaginega lista, da bi odstranili lesne ostanke ali iz katerega koli drugega razloga.**

Bližina vrteče se žage vaši roki morebiti ni očitna in lahko se resno poškodujete.

g) **Pred rezanjem preglejte vašega obdelovanca. Če je obdelovanec uklonjen ali ukrivljen, ga pripnite z zunanjo uklonjeno ploskvijo proti ograji. Vedno se prepričajte, da med obdelovancem, ograjo in mizo ni vrzeli vzdolž linije reza.** Zviti ali ukrivljeni obdelovanca se lahko zvijejo ali premaknejo in lahko povzročijo prijetje na vrteči se žagin list med rezanjem. Na obdelovancu ne sme biti žebeljev in tujih predmetov.

h) **Žage ne uporabljajte dokler miza ni prosta vseh orodij, lesnih ostankov, itd., razen obdelovanca.** Majhni delci ali razmajani kosi lesa ali drugi predmeti, ki pridejo v stik z vrtečim se rezilom, so lahko izvrženi z visoko hitrostjo.

i) **Režite le enega obdelovanca naenkrat.** Več zloženih obdelovancev ni mogoče ustrezno pripeti ali podpreti in se posledično lahko med rezanjem sprimejo na rezilo ali premaknejo.

j) **Pred uporabo poskrbite, da je zajeralna žaga nameščena ali postavljena na ravni, stabilni delovni površini.** Ravna in stabilna delovna površina zmanjšuje tveganje, da zajeralna žaga postane nestabilna.

k) **Načrtujte svoje delo. Vsakič, ko spremenite nastavev naklona in kota zajeralne žage, poskrbite, da je nastavljava ograja pravilno nastavljena za podporo obdelovanca in ne bo ovirala rezila ali varovalnega sistema.** Ne da vklopite orodje in brez nobenega obdelovanca na mizi premaknite žagin list skozi celoten simulirani rez, da se prepričate, da ne pride do interference ali nevarnosti, da bi prerezali ograjo.

l) **Za obdelovanja, ki je večji ali daljši od plošče mize, zagotovite ustrezno podporo, kot je podaljšek za mizo, koza za žaganje, itd.** Obdelovanca, ki so daljši ali širši od mize zajeralne žage se lahko prevrnejo, če niso varno podprti. Če se odrezani kos ali obdelovanec prevrne, lahko dvigne spodnji ščitnik ali pa je izvržen s strani vrtečega se rezila.

m) **Ne uporabljajte druge osebe kot nadomestilo za razširitev mize ali kot dodatno podporo.** Nestabilna podpora obdelovanca lahko povzroči, da se rezilo zagozdi ali pa se obdelovanec med rezanjem premakne ter povleče vas in pomočnika v vrteče se rezilo.

n) **Odrezani kos ne sme biti zagozden ali stisnjen s kakršnimikoli sredstvi ob vrtečo se žago.** Če je omejen, npr. s pomočjo dolžinskega prislona, se odrezani kos lahko zagozdi med rezilo in je silovito izvržen.

o) **Vedno uporabljajte primeže ali opremo zasnovano za ustrezno podporo okroglih materialov, kot so palice in cevi.** Med rezanjem so palice nagnjene k obračanju, kar povzroči, da rezilo "ugrizne" in potegne obdelovanca skupaj z vašo roko v rezilo.

p) **Preden se rezilo dotakne obdelovanca mora doseči polno hitrost.** To bo zmanjšalo tveganje za izvrženje obdelovanca.

q) **Če se obdelovanec ali rezilo zagozdi, ugasnite zajeralno žago. Počakajte, da se vsi gibljivi deli ustavijo in iztaknite vtič iz vira napajanja in/ali odstranite baterijski sklop. Potem odstranite zagozdeni material.** Nadaljevanje žaganja z zagozdenim obdelovancem lahko povzroči izgubo nadzora ali škodo na zajeralni žagi.

r) **Po končanem rezanju spustite stikalo, držite glavo žage navzdol in počakajte, da se rezilo ustavi preden odstranite**

odrezani kos. Iztegovanje roke proti rezilu v prostem teku je nevarno.

s) **Pri izvajanju nepopolnega reza ali ob sprostitvi stikala preden je glava žage v popolnoma spodnjem položaju, trdno držite ročico.** Zavorno delovanje žage lahko povzroči nenađen poteg glave žage navzdol, kar povzroči možnost telesne poškodbe.

Nadaljna varnostna in delovna opozorila

Uporabljajte osebno zaščitno opremo in vedno nosite zaščitna očala. Nošenje osebne zaščitne opreme, na primer maske proti prahu, nedrsečih zaščitnih čevljev, varnostne čelade ali zaščitnih slušnikov, kar je odvisno od vrste in načina uporabe električnega orodja, zmanjšuje tveganje telesnih poškodb.

Nosite zaščito za sluh. Hrup lahko povzroči izgubo sluha.

Prah, ki nastaja pri delu, je pogosto zdravju škodljiv in naj ne zaide v telo. Uporabljajte odsesavanje prahu in dodatno nosite primerno masko za zaščito proti prahu. Prah, ki se usede, temeljito očistite, npr. posesajte.

Pri žaganju lesa, priključite žago na sesalec za prah.

Priporočamo, da pred prvo uporabo naprave skrbno preberete navodilo za uporabo in da se poučite o praktični uporabi.

Zagotovite, da bo stroj zmeraj stal varno (npr. pritrditvev na pult).

Tla ohranjajte ostankov materiala npr. odrezkov in ostankov žaganja prosta.

Ne uporabljajte žaginih listov, ki so poškodovani ali deformirani.

Listi za žago, ki ne odgovarjajo podatkom o značilnosti v tem navodilu za uporabo, se ne smejo uporabiti.

Uporabljajte samo orodje, ki ustreza EN 847-1.

Ne uporabljajte žaginih listov izdelanih iz hitroreznega jekla.

Izberite rezanemu materialu ustrezen žagin list.

Dovoljeno število vrtljajev uporabljenega orodja mora biti vsaj tako visoko, kot je največje število vrtljajev električnega orodja. Pribor, ki se vrti hitreje od dovoljenega števila vrtljajev, se lahko polomi in razleti.

Orodje transportirajte in hranite v primerni pripravi za prenašanje; Za pritrditvev žaginega lista uporabljajte zgolj priložene in v navodilih za uporabo ponazorjene flanze.

Nihalne žage nikdar ne uporabljajte za rezanje drugih kot v navodilih za uporabo navedenih materialov.

Čelilno žago uporabljajte zgolj z varno delujočo in dobro vzdrževano zaščitno avbo. Zaščitna avba mora samodejno zanihati nazaj.

Kadar stroj obratuje in kadar glava žage ni v stanju mirovanja, iz območja žaganja ne odstranjujte nobenih ostankov žaganja ali drugih delov obdelovancev.

Ne segajte na področje nevarnosti tekočega stroja.

Brezpogojno uporabljajte zaščitne priprave stroja.

Napake, ki nastopijo na napravi, vključno z varnostno pripravo ali žaginimi listi, je po odkritju potrebno takoj javiti odgovorni osebi za varnost.

Nihajni zaščitni pokrov v odprtem stanju ne sme biti fiksiran.

Dolge obdelovanca je potrebno podpreti.

Nihalno žago transportiramo samo z zaskočenim transportnim varovalom na prijemalu.

Med izvajanjem zajeralnih, stožastih ali sestavljenih zajeralnih rezov, nastavite drsno ograjo, da zagotovite ustrezno razdaljo od rezila.

S primerno hitrostjo podajanja se izogibajte pregrevanju zob



Slo

žaginega lista in pri rezanju umetnih mas taljenju materiala.

Orodje ima ostre robove in se lahko med uporabo segreje.

OPOZORILO! Nevarnost ureznin in opeklin

-pri rokovanju z orodji

-pri odlaganju naprave

Pri rokovanju z orodji nosite zaščitne rokavice.

Celo pri pravilni uporabi proizvoda preostalih nevarnosti ni mogoče popolnoma izključiti. Pri uporabi lahko nastopijo sledeča tveganja, zaradi česar mora upravitelj upoštevati naslednje:

- V izogib okvari sluha je potrebno omejiti čas izpostavljenosti in nositi primerno zaščito sluha.
- V izogib zdravstvenih tveganj, do katerih lahko pride vsled vdihavanja prahu pri žaganju, je potrebno nositi zaščitno masko za dihanje.

LASER

V žarek laserja ne glejte in ga ne usmerjajte v druge osebe.

V laser ne glejte z optičnimi pripomočki (daljnogled, teleskop).

Laserja ne usmerjajte v reflektirajoče površine.

Izogibajte se izpostavljanju laserskega žarčenja. Laser lahko oddaja močno žarčenje.

Laserskega žarka ne usmerjajte na osebe ali živali in sami ne glejte v laserski žarek. Popravila lahko izvajajo zgolj pooblašeni servisni tehniki.

UPORABA V SKLADU Z NAMEMBOSTJO

Čelilna žaga je uporabna za žaganje masivnega lesa, zlepljenih surovin in umetnih mas.

Obdelovanci z okroglim ali neenakomernim prerezom (npr. drva) ni dovoljeno žagati, saj jih med žaganjem ni mogoče varno držati. Pri pokončnem žaganju ploskih obdelovancev je potrebno za varno vodenje uporabiti primeren pomožni naslon.

PREOSTALE NEVARNOSTI

Celo pri pravilni uporabi proizvoda preostalih nevarnosti ni mogoče popolnoma izključiti. Pri uporabi lahko nastopijo sledeča tveganja, zaradi česar mora upravitelj upoštevati naslednje:

- Vsled vibracij povzročene poškodbe. Napravo držite za temu namenu predvidene ročaje in omejite čas dela in izpostavljenosti.
- Obremenitev s hrupom lahko privede do poškodb sluha. Nosite zaščito sluha in omejite dovo izpostavljenosti.
- Vsled delcev nečistoč povzročene poškodbe oči. Vedno nosite zaščitna očala, dolge hlače in trdne čevlje.
- Vdihavanje nevarnih prahov.

CE-IZJAVA O KONFORMNOSTI

S polno odgovornostjo izjavljam, da izdelek, opisan pod „Tehnični podatki“ izpolnjuje vse ustrezne določbe direktiv

2011/65/EU, (EU) 2015/863 (RoHS)

2006/42/EC

2014/30/EU

ter da so bili uporabljeni naslednji harmonizirani standardi so bili uporabljeni

EN 62841-1:2015+A11:2022

EN IEC 62841-3-9:2020+A11:2020

EN IEC 55014-1:2021

EN IEC 55014-2:2021

EN IEC 63000:2018



Winnenden, 2022-12-12

Alexander Krug / Managing Director

Pooblaščen za izdelavo spisov tehnične dokumentacije.

Techtronic Industries GmbH

Max-Eyth-Straße 10, 71364 Winnenden, Germany

AKUMULATORJI

Izmenljive akumulatorje, ki jih daljši čas niste uporabljali, pred uporabo naknadno napolnite. Temperatura nad 50°C zmanjšuje zmogljivost izmenljivega akumulatorja. Izogibajte se daljšemu segrevanju zaradi sončnih žarkov ali gretja.

Pazite, da ostanejo priključni kontakti na polnilnem aparatu in izmenljivem akumulatorju čisti.

za optimalno življenjsko dobo je potrebno akumulatorje po uporabi do konca napolniti.

Za čim daljšo življenjsko dobo naj se akumulatorji po napolnitvi vzamejo ven iz naprave za polnjenje.

Pri skladiščenju akumulatorjev dalj kot 30 dni: Baterijo hranite pri temperaturi pod 27 °C in na mestu, kjer ni vlage. Akumulator skladiščiti pri 30%-50% stanja polnjenja.

TRANSPORT LITIJ-IONSKEH AKUMULATORJEV

Transport litij-ionskih akumulatorjev

Transport teh akumulatorjev se mora izvajati upoštevajoč lokalne, nacionalne in mednarodne predpise in določbe.

Potrošniki lahko te akumulatorje še nadalje transportirajo po cesti.

Komercialni transport litij-ionskih akumulatorjev s strani špediterskih podjetij je podvržen določbam transporta nevarnih snovi. Priprava odpreme in transporta se lahko vrši izključno s strani ustrezno izšolanih oseb. Celoten proces je potrebno strokovno spremljati.

Pri transportu akumulatorjev je potrebno upoštevati sledeče točke:

V izogib kratkim stikom zagotovite, da bodo kontakti zaščiteni in izolirani. Bodite pozorni na to, da paket akumulatorja v notranjosti embalaže ne bo mogel zdrsniti. Poškodovanih ali iztekajočih akumulatorjev ni dovoljeno transportirati. Za nadaljnja navodila se obrnite na vaše špeditersko podjetje.

ZAŠČITA PREOBREMENITVE AKUMULATORJA

Pri preobremenitvi akumulatorja s previsoko parabo toka, npr. ekstremno visoki vrtilni momenti, zatik uporabljenega orodja, nenadna zaustavitev ali kratek stik, se električno orodje za 2 sekundi ustavi in samodejno izklopi. Za ponastavitev preprosto odstranite akumulator iz orodja in ga zamenjajte. Pod ekstremnimi obremenitvami se akumulator premočno segreva. V tem primeru utripajo vse lučke prikazovalnika polnjenja dokler se akumulator ne ohladi. Za tem, ko prikazovalnik polnjenja ugasne lahko z delom nadaljujemo. Za ponovno polnitev in aktiviranje akumulatorja ga je potrebno vstaviti v polnilce.

VZDRŽEVANJE

Pred vsemi deli na stroji odstranite izmenljivi akumulator.

Pred nameščanjem ali odstranjevanjem rezila žage se prepričajte, da ste orodje odklopili z napajanja.

Obrabljen mizni vložek nadomestiti.

Napravo in zaščitno pripravo čistite s suho krpo.

Pazite na to, da so prezačevalne reže stroja vedno čiste.

Uporabljajte samo Milwaukee pribor in Milwaukee nadomestne dele. Poskrbite, da sestavne dele, katerih zamenjava ni opisana, zamenjajo v Milwaukee servisni službi (upoštevajte brošuro Garancija aslovi servisnih služb).

Po potrebi se lahko pri vaši servisni službi ali direktno pri Techtronic Industries GmbH naroči eksplozijska risba naprave ob navedbi tipa stroja in številke s tipske ploščice Techtronic Industries GmbH, Max-Eyth-Straße 10, 71364 Winnenden, Germany.

SYMBOLE



POZOR! OPOZORILO! NEVARNO!



Pred vsemi deli na stroji odstranite izmenljivi akumulator.



Prosimo, da pred uporabo pozorno preberete to navodilo za uporabo.



Pri delu s strojem vedno nosite zaščitna očala.



Nosite zaščito za sluh!



Nositi zaščitne rokavice



Nikdar ne dajate rok v območje žaginega lista.



Stroja ne izpostavljajte dežju.



Ta izdelek vsebuje potrošniški laserski izdelek razreda 2 v skladu z EN 60825-1:2014+A11:2021 in EN 50689:2021. **Ne glejte v laserski žarek.**



Odpadnih baterij, odpadne električne in elektronske opreme ne odstranjujte kot nesortirani komunalni odpadki. Odpadne baterije ter odpadno električno in elektronsko opremo je treba zbirati ločeno. Odpadne baterije, odpadne akumulatorje in svetlobne vire je treba odstraniti iz opreme. Za nasvet glede recikliranja in zbirnih mest se obrnite na lokalno oblast ali trgovca. V skladu z lokalnimi predpisi so lahko trgovci na drobno obvezani, da morajo brezplačno vzeti nazaj odpadne baterije ter odpadno električno in elektronsko opremo. Vaš prispevek k ponovni uporabi in recikliranju odpadnih baterij ter odpadne električne in elektronske opreme pomaga pri zmanjševanju povpraševanja po surovinah. Odpadne baterije, še posebej tiste, ki vsebujejo litij, ter odpadna električna in elektronska oprema vsebujejo dragocene materiale, primerne za recikliranje, ki imajo lahko, če niso odstranjeni na okolju prijazen način, škodljive posledice za okolje in zdravje ljudi. Z odpadne opreme izbrišite osebne podatke, če obstajajo.

V

Napetost



Enosmerni tok

n₀

Število vrtljajev v prostem teku



List žage ø x vrtilni ø



Evropska oznaka za združljivost



Britanska oznaka za združljivost



Ukrajinska oznaka za združljivost



Evrazijska oznaka za združljivost

Tehnički podaci Vlačna pila za obrezivanje i iskošavanje	M18 SMS216
Broj proizvodnje	4745 85 04... ... 000001-999999
Broj okretaja praznog hoda	2700 min ⁻¹
Napon baterije za zamjenu	18V ---
List pile-ø x Bušenje-ø	216 x 30 mm
Debljina lista pile	1,5 mm
Širina rezanja max. Kut kosog rezanja horizontalni 0° / Kut kosog rezanja vertikalni 0° Kut kosog rezanja horizontalni 45° / Kut kosog rezanja vertikalni 0° Kut kosog rezanja horizontalni 0° / Kut kosog rezanja vertikalni 45° Kut kosog rezanja horizontalni 45° / Kut kosog rezanja vertikalni 45°	60 x 270 mm 60 x 190 mm 48 x 270 mm 48 x 190 mm
Minimalna dimenzije radnog predmeta	130 x 35 x 2 mm
Preporučena temperatura okoline za pogon	-5°C - +40°C
Preporučeni akumulatorski paket	M18B..., M18HB...
Preporučeni punjači	M12-18..., M1418 C6
Težina po EPTA-proceduri 01/2014	14,5 kg
Ova pila ima lasersko zračenje II. razreda s maksimalno P ≤ 1mW i valne duljine od λ: 620 ~ 660 nm.	
Informacije o buci Mjerne vrijednosti utvrđene odgovarajuće EN 62841. A-ocijenjeni nivo buke aparata iznosi tipično:	
Nivo pritiska zvuka (Nesigurnost K=3dB(A))	91,8 dB (A)
Nivo učinka zvuka (Nesigurnost K=3dB(A))	105 dB (A)
Nositi zaštitu sluha!	

UPOZORENIE

Vrijednost emisije buke navedene u ovoj tiskanici s uputama je mjerena odgovarajuće jednom u EN 62841 normiranom probnom postupku i može se uporabiti za usporedbu alata jednog s drugim. Ona je prikladna i za privremenu procjenu opterećenja. Navedena vrijednost emisije buke prikazuje glavne primjene alata. Ali ako se alat uporabi u druge primjene ili s odstupajućim priborom ili ako se nedovoljno održava, vrijednost emisije buke može odstupati. To može za vrijeme cijelog perioda rada jasno povećati opterećenje.

Za točnu procjenu opterećenja bukom bi se trebala uzeti u obzir i ona vrenama, u kojima je alat isključen ili u stvari radi, ali se faktički ne koristi. To može za vrijeme cijelog perioda rada jasno smanjiti opterećenje.

Utvrđite dodatne sigurnosne mjere za zaštitu poslužioaca od djelovanja buke, kao na primjer: Održavanje alata i pribora i organizacija radnih tokova.

Nosite zaštitu za sluh. Djelovanje buke može uzrokovati gubitak sluha.

UPOZORENIE Pročitajte sve sigurnosne upute, napomene, prikaze i podatke koje dobijete uz uređaj. Ako se ne bi pridržavali sljedećih uputa, moglo bi doći do električnog udara, požara i/ili teških ozljeda. **Sačuvajte sve napomene o sigurnosti i upute za buduću primjenu.**

SIGURNOSNE UPUTE ZA PILE ZA KOSO REZANJE

a) **Pile za koso rezanje namijenjene su za rezanje drva ili drvenih proizvoda. Ne mogu se koristiti s brusnim reznim pločama za rezanje željeznih materijala poput poluga, šipki,**

prečki itd. Abrazivna prašina uzrokuje blokadu pokretnih dijelova kao što je donji štitnik. Iskre koje nastaju zbog rezanja abrazivnih materijala spalit će donji štitnik, ureznu ploču i ostale plastične dijelove.

b) **Kad god je moguće, koristite stezaljke da biste poduprli radni komad. Ako rukom podupirete radni komad, morate uvijek držati razmak od barem 100 mm od lista pile s obje strane. Ne koristite ovu pilu za rezanje komada koji su premali da bi se sigurno pričvrstili ili držali u ruci.** Ako je ruka preblizu listu pile, postoji povećan rizik nastanka ozljede zbog kontakta s oštricom.

c) **Radni komad mora biti stacionaran i pričvršćen ili se mora nalaziti između ograde i stola. Ni u kojem slučaju ne stavljajte radni komad u list pile niti ne režite napamet.** Predmeti koji nisu pričvršćeni ili koji se miču mogu se odbaciti velikim brzinama te uzrokovati ozljedu.

d) **Pilu gurajte kroz radni komad. Ne vucite je. Da biste napravili rez, podignite glavu pile i povucite je iznad radnog komada bez rezanja, pokrenite motor, pritisnite glavu pile prema dolje i gurnite pilu kroz radni komad.** Kada biste rezali uz povlačenje, list pile mogao bi se podići iznad radnog komada i naglo odbaciti pilu prema korisniku.

e) **Nikada nemojte prekriziti ruke tako da jedna prijeđe preko namijenjene linije rezanja ispred ili iza lista pile.** Vrlo je opasno poduprijeti pilu s prekrizanim rukama npr. držati radni komad s desne strane lista pile lijevom rukom ili obrnuto.

f) **Nemojte rukama posezati iza ograde na udaljenosti manjoj od 100 mm s bilo koje strane pile kako biste uklonili**

ostatke drva ili zbog bilo kojeg drugog razloga dok god se oštrica vrti. Udaljenost između lista pile koji se vrti i vaše ruke može biti drugačija nego što vam se čini te se možete ozbiljno ozljediti.

g) **Provjerite radni komad prije rezanja. Ako je savijen ili deformiran, pričvrstite ga tako da savijeni dio bude okrenut prema ogradi. Uvijek budite sigurni u to da nema razmaka između radnog komada, ograde i stola uzduž linije reza.** Savinuti ili deformirani radni komadi mogu se okrenuti ili pomaknuti i to može uzrokovati blokadu lista pile koji se okreće tijekom rezanja. U radnom komadu ne smiju biti čavli ili strani predmeti.

h) **Koristite pilu kad se na stolu nalazi samo radni komad te kad na njemu nema alata, ostataka drva itd.** Male krhotine ili slobodni komadi drva ili ostali predmeti koji dodiruju list pile koji se okreće mogu se odbaciti velikom brzinom.

i) **Radne komade režite jedan po jedan.** Više radnih komada poredanih jedan za drugim ne mogu se adekvatno pričvrstiti ili pritegnuti te mogu blokirati list pile ili se pomaknuti tijekom rezanja.

j) **Pobrinite se za to da pilu za koso rezanje prije uporabe postavite ili smjestite na ravnu, čvrstu radnu površinu.** Takva radna površina smanjuje rizik nestabilnosti pile.

k) **Isplanirajte svoj rad. Svaki put kada promijenite postavku kuta kosine ili kuta pile pobrinite se da podesiva ograda bude pravilno postavljena tako da podupire radni komad i da sukladno ne smeta oštrici ili zaštitnom sustavu.** Kada uključite uređaj i kad nema radnog komada na stolu, pomikite list pile kroz cijelu dužinu da biste simulirali rez te da biste se uvjerali da neće biti smetnji ili opasnosti od rezanja ograde.

l) **Osigurajte adekvatnu potporu za radni komad koji je širi ili duži od stola kao što su produžeci stola, postolja pile itd.** Radni komadi koji su duži ili širi od stola pile za koso rezanje mogu se prevrnuti ako nisu dobro poduprti. Ako se odrezani dio ili radni komad prevrne, može podići donji štitnik ili ga list pile koji se okreće može odbaciti.

m) **Ne koristite drugu osobu kao zamjenu za produžetak stola ili kao dodatnu potporu.** Nestabilna potpora radnog komada može dovesti do blokade lista pile ili pomicanja radnog komada tijekom rezanja te može povući vas i vašeg pomoćnika prema listu pile koji se okreće.

n) **Odrezani dio ne smije se nikako zaglaviti ili pritisnuti o list pile koji se okreće.** U slučaju ograničenog prostora, npr. korištenjem graničnika dužine, odrezani komad može se uklještit s listom pile i biti naglo odbačen.

o) **Uvijek koristite stezaljke ili predmet za fiksiranje kako biste pravilno poduprli okrugle materijale kao što su šipke i cijevi.** Šipke se mogu kotrljati prilikom rezanja što može dovesti do toga da pila, „zagriže“ predmet i povuče vašu ruku prema oštrici.

p) **Pustite da list pile dosegne punu brzinu prije nego što dodirne radni komad.** To će smanjiti opasnost od odbacivanja radnog komada.

q) **Ako se radni komad ili oštrica zaglave, isključite pilu za koso rezanje. Pričekajte da se svi pokretni dijelovi zaustave i izvadite utičnicu iz izvora napajanja i/ili uklonite baterije. Tek tada možete ukloniti zaglavljene materijal.** Kontinuirano piljenje sa zaglavljenim radnim komadom može dovesti do gubitka kontrole ili oštetiti pilu.

r) **Kad je rez završen, pustite prekiđač, držite glavu pile prema dolje i pričekajte da se oštrica zaustavi prije nego što uklonite odrezani komad.** Posezanje rukom blizu lista pile koji se spušta je opasno.

s) **Držite ručku čvrsto kada je rez nedovršen ili kada puštate prekiđač prije nego što je glava pile potpuno u donjem položaju.** Zaustavljanje pile može dovesti do toga da se glava pile naglo pomakne prema dolje što može uzrokovati ozljedu.

Ostale sigurnosne i radne upute

Nosite osobnu zaštitnu opremu i uvijek nosite zaštitne naočale. Nošenje osobne zaštitne opreme, kao što je maska za prašinu, sigurnosna obuća koja ne klizi, zaštitna kaciga ili štitnik za sluh, ovisno od vrste i primjene električnog alata, smanjuje opasnost od ozljeda.

Nosite zaštitu za sluh. Djelovanje buke može uzrokovati gubitak sluha.

Prašina koja nastaje kod rada je često štetna po zdravlje i ne bi smjela dospjeti u tijelo. Primijeniti usisavanje prašine i dodatno nositi prikladnu zaštitnu masku protiv prašine. Sleglu prašinu temeljito odstraniti, npr. usisati.

Pilu priključite na usisavač prilikom piljenja drveta.

Preporučuje se, prije prvotne uporabe aparata uputu o upotrebi brižljivo pročitati i dati se uvesti u praktično rukovanje.

Utvrđiti da stroj uvijek ima sigurnu poziciju stajanja (npr. pričvršćenje na radiničkom stolu).

Tlo osloboditi od ostataka materijala, kao piljevine i ostataka od piljenja

Listove pile koji su oštećeni ili deformirani ne koristiti

Listovi pile, koji ne odgovaraju karakterističnim podacima u ovoj uputi o upotrebi, se ne smiju upotrebljavati.

Dopuštena je uporaba samo onih alata koji udovoljavaju normu EN 847-1.

Ne upotrebljavati listove pile izrađene od brzoreznog čelika. Izabrati list za pilu koji je prikladan za materijal koji se reže.

Dozvoljeni broj okretaja alatnih nastavaka mora najmanje biti toliki kao što je i najveći broj okretaja naveden na električnom alatu. Oprema koja ima veći broj okretaja od dozvoljenog može se polomiti i razletjeti.

Alati se moraju transportirati i čuvati u prikladnoj posudi;

Za pričvršćivanje lista pile primijeniti samo one priborice, koje se nalaze na slici u uputi za rad.

Pokrivnu pilu nikada ne upotrebljavati za rezanje drugih materijala, osim onih, koji su navedeni u uputi za rad.

Pokrivnu pilu koristiti samo sa sigurno funkcionirajućom i dobro održavanom zaštitnom haubom. Zaštitna hauba se mora samostalno vratiti nazad.

Kada stroj radi, a glava pile nije u stanju mirovanja, nemojte sa područja piljenja odstranjivati ostatke piljenja ili druge dijelove izradaka.

Ne sezati u područje opasnosti radećeg stroja.

Bezuvjetno upotrijebiti zaštitnu napravu stroja.

Greške u stroju, uključno zaštitnu napravu ili listove pile, se moraju prijaviti osobi nadležnoj za sigurnost, ukoliko se ove otkriju.

Njihajuća zaštitna kapa u otvorenom položaju ne smije biti priklještena.

Materijali velike dužine koji se obrađuju, se moraju prikladno poduprijeti.

Pokrivnu pilu transportirati samo sa uskočenim transportnim osiguračem na ručici.

Kod izvođenja kutnih, rubno kutnih ili složenih kutnih rezova, namjestite klizni vodič kuta obrade da biste osigurali odgovarajući razmak od oštrice.

Izbjegavajte kroz prilagođenu brzinu pomaka pregrijavanje zuba lista pile a kod rezanja plastike topljenje materijala.

Radni alat je oštrobridan i može za vrijeme uporabe postati vruć.

UPOZORENJE! Opasnost od rezanja i opekotina

-kod rukovanja s radnim alatima

- kod odlaganja uređaja

Kod rukovanja radnim alatima nositi zaštitne rukavice.

Isto i kod propisne uporabe proizvoda ve preostale opasnosti ne mogu potpuno isključiti. Kod uporabe mogu nastupiti sljedeći rizici, tako da poslužioc treba sljedeće uzeti u obzir:

- Zbog izbjegavanja oštećenja sluha se mora ograničiti vrijeme ekspozicije i nositi prikladna zaštita sluha.
- Nositi se mora maska za zaštitu disanja kako bi se izbjegli zdravstveni rizici koji mogu nastati udisanjem prašine piljenja.

LASER

Ne gledati u laserski zrak i ne usmjeravati na druge osobe

U laser ne gledati sa optičkim pomoćnim sredstvima (dalekozor, teleskop)

Laser ne usmjeravati na reflektirajuće površine

Ne izlagati se laserskim zrakama. Laser može odašiljati jako zračenje.

Ugrađeni laser ne zamijenite sa laserom nekog drugog tipa. Popravke smiju izvoditi samo autorizirani servisni tehničari.

PROPISNA UPOTREBA

Pokrivna pila je upotreblijiva za piljenje masivnog drva, ljepljenih drva, materijala sličnih drvu i plastičnih tvari.

Izratke sa okruglim i nepravilnim presjekom (npr. drva za loženje) se ne smiju piliti, jer se oni prilikom piljenja ne mogu držati. Kod osvojenih piljenja plosnatih izradaka se mora primijeniti prikladan pomoćni graničnik za sigurno vođenje.

PREOSTALE OPASNOSTI

Isto i kod propisne uporabe proizvoda ve preostale opasnosti ne mogu potpuno isključiti. Kod uporabe mogu nastupiti sljedeći rizici, tako da poslužioc treba sljedeće uzeti u obzir:

- Vibracijama prouzročene ozljede. Uređaj držite na za to predviđenim drškama i ograničite radno vrijeme i vrijeme ekspozicije.
- Opterećenje bukom može dovesti do oštećenja sluha. Nosite zaštitu sluha i ograničite trajanje ekspozicije.
- Česticama prljavštine prouzročene ozljede očiju. Nosite uvijek zaštitne naočale, otporne duge hlače i zatvorene otporne cipele.
- Udisanje otrovnih prašina.

CE-IZJAVA KONFORMNOSTI

Izjavljujemo pod vlastitom odgovornošću da proizvod opisan u odjeljku "Tehnički podaci" ispunjava sve potrebne odredbe smjernica

2011/65/EU, (EU) 2015/863 (RoHS)

2006/42/EC

2014/30/EU

i da su korišteni sljedeći usklađeni standardi su korišteni

EN 62841-1:2015+A11:2022

EN IEC 62841-3-9:2020+A11:2020

EN IEC 55014-1:2021

EN IEC 55014-2:2021

EN IEC 63000:2018



Winnenden, 2022-12-12

Alexander Krug / Managing Director

Ovlašten za formiranje tehničke dokumentacije.

Techtronic Industries GmbH

Max-Eyth-Straße 10, 71364 Winnenden, Germany

BATERIJE

Baterije koje duže vremena nisu korištene, prije upotrebe napuniti. Temperatura od preko 50°C smanjuje učinak baterija. Duže zagrijavanje od strane sunca ili grijanja izbjeci.

Priključne kontakte na uređaju za punjenje i baterijama držati čistima.

Za optimalni vijek trajanja se akumulatori poslije upotrebe moraju sasvim napuniti.

Za što moguće duži vijek trajanja, akumulatori se nakon punjenja moraju odstraniti iz punjača.

Kod skladištenja akumulatora duže od 30 dana: Pohranite paket baterija na mjestu s temperaturom nižom od 27 °C i na kojem nema vlage. Akumulator skladištiti kod ca. 30%-50% stanja punjenja.

TRANSPORT LITIJSKIH IONSKIH BATERIJA

Transport litijskih ionskih baterija

Prijevoz ovih baterija mora uslijediti uz poštivanje lokalnih, nacionalnih i internacionalnih propisa i odredaba.

Korisnici mogu bez ustručavanja ove baterije transportirati po cestama.

Komercijalni transport litijsko-ionskih baterija od strane transportnih poduzeća spada pod odredbe o transportu opasne robe. Otpremničke pripreme i transport smiju izvoditi isključivo odgovarajuće školovane osobe. Kompletni proces se mora pratiti na stručan način.

Kod transporta baterija se moraju poštivati sljedeće točke:

Uvjerite se da su kontakti zaštićeni i izolirani kako bi se izbjegli kratki spojevi. Pazite na to, da blok baterija unutar pakiranja ne može proklizavati. Oštećene ili iscurjele baterije se ne smiju transportirati. U svezi ostalih uputa obratite se vašem prijevoznom poduzeću.

ZAŠTITA OD PREOPTEREĆENJA AKUMULATORA

Kod preopterećenja akumulatora prevelikom potrošnjom struje, npr. ekstremno visoki zakretni momenti, ukļeštenje radnog alata, naglo zaustavljanje ili kratak spoj, električni alat se zaustavlja 2 sekunde i isključuje se samostalno. Za resetiranje, uklonite baterijski sklop iz alata i vratite ga. Pod ekstremnim opterećenjima se akumulator prejako zagrije. U tome

slučaju trepere sve lampice pokazivača punjenja, sve dok se akumulator ne ohladi. Poslije gašenja pokazivača punjenja se može nastaviti sa radom. Akumulator zatim utaknuti u punjač kako bi se ovaj ponovno napunio i zatim aktivirao.

ODRŽAVANJE

Prije svih radova na stroju izvaditi bateriju za zamjenu.

Prije priključivanja ili uklanjanja lista pile osigurajte da je alat iskopčan iz izvora za napajanje.

Istrošeni uložak stola promijeniti

Aparat i zaštitni uređaj čistite jednom suhom krpom.

Prereze za prozračivanje stroja uvijek držati čistima.

Primijeniti samo Milwaukee opremu i Milwaukee rezervne dijelove.

Sastavne dijelove, čija zamjena nije opisana, dati zamijeniti kod jedne od Milwaukee servisnih službi (poštivati brošuru Garancija/Adrese servisa).

Po potrebi se može zatražiti crtež eksplozije aparata uz davanje podataka o tipu stroja i desetoznamenastog broja na pločici snage kod Vaše servisne službe ili direktno kod Techtronic Industries GmbH, Max-Eyth-Straße 10, 71364 Winnenden, Germany.

SIMBOLI



PAŽNJA! UPOZORENJE! OPASNOST!



Prije svih radova na stroju izvaditi bateriju za zamjenu.



Molimo da pažljivo pročitate uputu u upotrebi prije puštanja u rad.



Kod radova na stroju uvijek nositi zaštitne naočale.



Nositi zaštitu sluha!



Nositi zaštitne rukavice!



Ruke nikada ne stavljati na područje lista pile.



Stroj ne izlagati kiši.



Ovaj proizvod sadrži potrošački laserski proizvod klase 2 prema

EN 60825-1:2014+A11:2021 i EN 50689:2021.

Ne gledati u lasersku zraku



Stare baterije, električni i elektronički uređaji se ne smiju zbrinjavati skupa sa kućnim smećem. Stare baterije, električni i elektronički uređaji se moraju odvojeno skupljati i zbrinuti. Prije zbrinjavanja odstranite stare baterije, stare akumulatore i rasvjetna sredstva iz uređaja. Raspitajte se kod mjesnih vlasti ili kod Vašeg stručnog trgovca o mjestima recikliranja i mjestima skupljanja. Zavisno o mjesnim odredbama stručni trgovci mogu biti obavezati, stare baterije, i električne i elektroničke stare uređaje besplatno uzeti nazad. Doprinesite kroz ponovnu primjenu i recikliranje Vaših starih baterija, električnih i elektronskih uređajatom, da se potreba za sirovinama smanji. Stare baterije (prije svega litij-ionske baterije, električne i elektronske stare uređaje sadrže dragocjene, ponovno uporabljive materijale, koje bi kod zbrinjavanja protivno očuvanju okoline mogli imati negativne posljedice za okolinu i Vaše zdravlje. Prije zbrinjavanja izbrisite postojeće podatke koji se odnose na osobe, koji se po mogućnosti nalaze na Vašem starom uređaju.

V

Napon



Istosmjerna struja

n_o

Broj okretaja praznog hoda



List pile-ø x Bušenje-ø



Europski znak suglasnosti



Britanski znak suglasnosti



Ukrajinski znak suglasnosti



Euroazijski znak suglasnosti

Tehniskie dati Taisnleņķa zāģis	M18 SMS216
Izlaides numurs	4745 85 04... ... 000001-999999
Tukšgaitas apgriezumu skaits	2700 min ⁻¹
Akumulātorā spriegums	18V ---
Zāģa ripas ārējais diametrs x iekšējais diametrs	216 x 30 mm
Zāģa plātnes biezums	1,5 mm
Griezuma platums maksimālais. Zāģēšanas leņķis Horizontālais 0°/ Zāģēšanas leņķis Vertikālais 0° Zāģēšanas leņķis Horizontālais 45°/ Zāģēšanas leņķis Vertikālais 0° Zāģēšanas leņķis Horizontālais 0°/ Zāģēšanas leņķis Vertikālais 45° Zāģēšanas leņķis Horizontālais 45°/ Zāģēšanas leņķis Vertikālais 45°	60 x 270 mm 60 x 190 mm 48 x 270 mm 48 x 190 mm
Min. . apstrādājamās detaļas izmērs	130 x 35 x 2 mm
Darbībai ieteicamā apkārtnes temperatūra	-5°C - +40°C
Ieteicamie akumulatoru komplekti	M18B..., M18HB...
Ieteicamās uzlādes ierīces	M12-18..., M1418 C6
Svars atbilstoši EPTA -Procedure 01/2014	14,5 kg
Šim zāģim izmantotā lāzera starojums atbilst II. klasei ar maksimāli P ≤ 1mW un λ: 620 ~ 660 nm viļņu garumu.	
Trokšņu informācija Vērtības, kas noteiktas saskaņā ar EN 62841. A novērtētās aparātūras skaņas līmenis ir: Trokšņa spiediena līmenis (Nedrošība K=3dB(A)) Trokšņa jaudas līmenis (Nedrošība K=3dB(A)) Nēsāt trokšņa slāpētāju!	91,8 dB (A) 105 dB (A)



Lat

UZMANĪBU

Šajā piezīmju lapā norādītā trokšņu emisijas vērtība atbilst EN 62841 norādītajai pārbaudes procesā izmērtajai vērtībai un to var izmantot instrumentu savstarpējam salīdzinājumam. Tas ir piemērots arī sākotnējam slodzes novērtējumam.

Norādītā trokšņu emisijas vērtība atbilst instrumenta paredzētajam izmantošanas mērķim. Taču trokšņa emisijas vērtība var mainīties, ja instruments tiek izmantots citiem mērķiem, ar neatbilstošiem piederumiem, vai tad, ja nav veikta atbilstoša apkope. Šādi var ievērojami palielināties kopējā darba laika slodze.

Lai nodrošinātu precīzu trokšņa slodzes novērtējumu, jāņem vērā arī laiks, kurā instruments ir izslēgts, vai arī darbojas, bet netiek izmantots. Tas var ievērojami samazināt kopējā darba laika slodzi.

Veiciet papildu drošības pasākumus lietotāja aizsardzībai pret troksni, piemēram: nodrošinot instrumenta un piederumu apkopi, kā arī organizējot darba procesu.

Nēsājiet ausu aizsargus. Trokšņa iedarbība var izraisīt dzirdes zudumu.

UZMANĪBU Izlasiet visus drošības norādījumus, instrukcijas, attēlus un datus, ko saņemat kopā ar ierīci. Turpmāk sniegto norādījumu neievērošana var kļūt par cilvēki elektriskajam triecienam, ugunsgrēkam un/vai smagam savainojumam.

Pēc izlasišanas uzglabājiet šos noteikumus turpmākai izmantošanai.

LEŅĶZĀĢA DROŠĪBAS NORĀDĪJUMI

a) **Leņķzāģi ir paredzēti koksnes vai koksnei līdzīgu materiālu zāģēšanai, tos nevar lietot tādu dzelzs materiālu zāģēšanai kā stabi, stieņi, skrūves utt.** Abrazīvi putekļi izraisa

kustīgo detaļu, piemēram, apakšējā aizsargvāka, bloķēšanos.

Zāģēšanas dzirksteles aizdedzina apakšējo aizsargvāku, ieliktni un citas plastmasas detaļas.

b) **Pēc iespējas noīksējiet sagatavi ar spilēm. Ja turēsiet sagatavi ar roku, rokai vienmēr jābūt vismaz 100 mm attālumā no katras zāģa plātnes puses. Nelietojiet šo zāģi tādu sagatavu zāģēšanai, kuras ir pārāk mazas, lai tās varētu droši iespiēt vai turēt ar roku.** Ja roka atrodas pārāk tuvu zāģa plātnei, plātne to var viegli aizskart.

c) **Sagatavei jābūt nekustīgai un iespiētai vai droši turētai attiecībā pret atturi un galdū. Nebidiet sagatavi uz zāģa plātni un nekad nezāģējiet «plikām rokām».** Neiespilētas vai kustīgas sagataves var tikt izmestas lielā ātrumā, izraisot traumas.

d) **Bidiet zāģi caur sagatavi. Nevelciet zāģi caur sagatavi. Lai veiktu zāģējumu, paceliet zāģa galvu un pārveldiet to pāri sagatavei nezāģējot. Tad ieslēdziet motoru, pagrieziet zāģa bloku uz leju un spiediet zāģi caur sagatavi.** Ja zāģē velkot, rodas risks, ka zāģa plātne sagatavē paceļas un zāģa plātnes bloks ar varu tiek izmests uz operatoru.

e) **Nekad ar roku nešķersojiet paredzēto zāģējuma līniju ne pirms, ne aiz zāģa plātnes.** Ir ļoti bīstami atbalstīt sagatavi «ar sakrustotām rokām», proti, turēt sagatavi labajā pusē blakus zāģa plātnei ar kreiso roku vai otrādi.

f) **Kad zāģa plātne griežas, nelieciet rokas aiz atturu un vienmēr ievērojiet 100 mm drošības attālumus starp roku un rotējošu zāģa plātni katrā tās pusē, piemēram, kad tirāt koksnes atkritumus.** Rotējošās zāģa plātnes tuvums rokai var nebūt acimredzams, un tādejādi var rasties smagas traumas.

g) **Pirms zāģēšanas pārbaudiet sagatavi. Ja sagatave ir izlietota vai sagriezusies, iespējēties to ar uz āru izlietoto zāģi pret atturi. Vienmēr pārliecinieties, ka pa zāģējuma vietu nav spraugas starp sagatavi, atturi un galdū.** Izlietots vai sagriezušās sagataves var pagriezties vai savērties un izraisīt rotējošās zāģa plātnes iesprūšanu zāģēšanas laikā. Sagatavē nedrīkst būt naglas vai svešķermeņi.

h) **Lietojiet zāģi tikai tad, kad galds ir brīvs no instrumentiem, koksnes atkritumiem utt.; uz galda drīkst atrasties tikai sagatave.** Nelieli atkritumi, nenostiprināti koka gabali vai citi priekšmeti, saskaroties ar rotējošu zāģa plātni, var tikt izmesti lielā ātrumā.

i) **Vienā reizē zāģējiet tikai vienu sagatavi.** Vairākas sakrutas sagataves nevar atbilstoši iespiēt vai noturēt, un zāģēšanas laikā tas var izraisīt plātnes iesprūšanu vai tās var noslidēt.

j) **Pirms lietošanas novietojiet leņķzāģi uz līdzenas un cietas darba virsmas.** Līdzena un cieta darba virsma mazina risku, ka leņķzāģis var kļūt nestabils.

k) **Plānojjiet savu darbu. Regulējot zāģa plātnes slīpumu vai leņķi, vienmēr ievērojiet, lai pareizi būtu noregulēts regulējamaiss atturis un sagatave būtu pareizi atbalstīta, nesaskaroties ar plātni vai aizsargvāku.** Neieslēdzot mašīnu un bez sagataves uz galdā, ir jāizmēģina zāģa plātnes pilna zāģēšanas kustība, lai pārliecinātos, ka nerodas traucējumi vai risks iezāģēt atturi.

l) **Nodrošiniet pietiekamu atbalstu sagatavēm, kas ir platākas vai garākas par galdā augšpusi, piemēram, ar galdā pagarinājumiem vai stēķiem.** Sagataves, kas ir garākas vai platākas par leņķzāģa galdū, var apgāzties, ja tās nav nekustīgi atbalstītas. Ja nozāģēta koksnes daļa vai sagatave apgāžas, tā var pacelt apakšējo aizsargvāku un plātne to var nekontrolēti izmest.

m) **Neizmantojiet citu personu, lai aizvietotu galdā pagarinājumu vai papildu balstu.** Sagataves nestabila atbalstīšana var izraisīt plātnes iesprūšanu. Tāpat zāģēšanas laikā sagatave var pārbīdīties un ievilk operatoru vai palīgu rotējošā plāksnē.

n) **Nozāģēto gabalu nedrīkst spiest pret rotējošu zāģa plātni.** Ja ir pārāk maz vietas, piemēram, izmantojot garenvirziena atturus, nozāģētais gabals var saķīlēt plātni un ar varu tikt izmests.

o) **Vienmēr lietojiet spiles vai piemērotu mehānismu, lai atbalstītu apaļu materiālu, piemēram, stieņus vai caurules.** Stieņiem zāģēšanas laikā ir tendence rīpot, kā rezultātā plātne var «iestrēgt» un ievilk sagatavi kopā ar operatora roku plātnē.

p) **Pirms sagataves zāģēšanas ļaujiet plātnei sasniegt pilnu apgriezumu skaitu.** Tas palīdz izvairīties no sagataves izmetes.

q) **Ja sagatave iesprūst vai plātne bloķējas, izslēdziet leņķzāģi. Nogaidiet, līdz apstājas visas kustīgās detaļas, izvelciet kontaktdakšu un/vai izņemiet akumulatoru. Pēc tam izņemiet iesprūdušo materiālu.** Ja turpināt zāģēt šādas bloķēšanas gadījumā, iespējams kontroles zudums vai leņķzāģa bojājumi.

r) **Pēc pabeigta zāģējuma atļaidiet slēdzi, turiet zāģa galvu leļā un nogaidiet, līdz plātne apstājas, pirms izņemat nozāģēto gabalu.** Ir ļoti bīstami sniegties ar roku vēl neapstājušās plātnes tuvumā.

s) **Turiet stingri rokturi, ja veicat nepilnu zāģējumu vai atļaidiet slēdzi, pirms zāģa galva ir sasniegusi apakšējo gala pozīciju.** Zāģa bremzēšanas darbība var izraisīt zāģa galvas pēkšņu novilkšanu uz leju, izraisot traumu risku.

Citas drošības un darba instrukcijas

Izmantojiet individuālos darba aizsardzības līdzekļus. Darba laikā nēsājiet aizsargbrilles. Individuālo darba aizsardzības līdzekļu (putekļu maskas, neslidošu apavu un aizsargķiveres vai ausu aizsargu) pielietošana atbilstoši elektroinstrumenta tipam un veicamā darba raksturam ļauj izvairīties no savainojumiem.

Nēsājiet ausu aizsargus. Trokšņa iedarbība var izraisīt dzirdes zudumu.

Putekļi, kas rodas strādājot, bieži ir kaitīgi veselībai, un tiem nevajadzētu nokļūt ķermenī. Vajag izmantot putekļkustīcēju un bez tam nēsāt masku, kas pasargā no putekļiem. Nosēdušos putekļus vajag aizvākt, piem. nosūknēt.

Zāģējot kokmateriālu, pieslēdziet iekārtai putekļsūcēju.

Pirms instrumenta pirmās lietošanas tiek ieteikts izlasīt lietošanas pamācību un iepazīties ar tā praktisko pielietojumu

Nodrošināt, lai ierīce vienmēr stāvētu stabili (piem., piestiprinot pie darbgaldā).

Raudzīties, lai uz grīdas nemēģinātu materiālu atlikumi, piem., zāģskaidas, atgriezumi.

Neizmantojot bojātus vai deformētus zāģa diskus.

Zāģu ripas, kas neatbilst šīni lietošanas pamācībā minētajiem datiem, nedrīkst izmantot.

Drīkst izmantot tikai standartam EN 847-1 atbilstošus darbinstrumentus.

Nelietojiet zāģa plātnes, kas izgatavotas no ātrām darbām paredzētā tvertņa.

Lietojiet zāģa plātni, kas ir piemērota attiecīgā materiāla griešanai. Iesaistāmā instrumenta pieļaujamajam apgriezumu skaitam jābūt vismaz tik augstam kā uz elektroinstrumenta norādītajam maksimālajam apgriezumu skaitam. Aprikojums, kurš rotē ātrāk par pieļaujamo ātrumu, var salūzt un tikt atmetts atpakaļ! Darbinstrumentu pārnesēšanai un glabāšanai jāizmanto piemērota tvertne.

Zāģa plātnes nostiprināšanai lietojiet tikai mašīnai pievienotos un lietošanas instrukcijā attēlotos nostiprināšanas atlokus.

Nekad nelietojiet sagarināšanas zāģi citu materiālu griešanai, kā norādīts lietošanas instrukcijā.

Sagarumošanas zāģi izmantot tikai ar droši funkcionējošu un tehniski kārtīgu aizsargvāku. Aizsargvākam jābūt automātiski nobloķējošamies.

Neizmēģiniet zāģēšanas pārpalikumu vai citus formu fragmentus no zāģēšanas iekārtas, ja tā ir iedarbināta un zāģis neatrodas mierīgā pozīcijā.

Nelikt rokas mašīnas darbības laukā.

Noteikti vajag izmantot mašīnai paredzēto aizsargaprīkojumu.

Ja mašīnā, ieskaitot aizsardzības ierīces vai zāģa plātni, ir radusies kļūda, tad tikko kā tā ir konstatēta, par to jāziņo personai, kas ir atbildīga par drošības tehniku.

Aizsargpārvalku nedrīkst fiksēt atvērtā stāvoklī.

Garas apstrādājamās sagataves piemērotā veidā atbalstiet.

Sagarināšanas zāģi transportējiet tikai aiz roktura, ar ieslēgtu transportēšanas drošinātāju.

Veicot slīpzāģēšanu, nošļaušanu vai sarežģītus slīpos griezumus, neregulējiet slīdsošo barjeru, lai nodrošinātu pareizu attālumu no asmens.

Lai novērstu zāģa ripas zobu pārkaršanu un, griežot plastmasas izstrādājumus, materiāla saukušanu, izmantojiet piemērotu padeves ātrumu.

Ierīces uzgalim ir asas malas un lietošanas laikā tas var sakarst. BRĪDINĀJUMS! Sagriešanās un apdedzināšanās risks

-strādājot ar ierīci
- noliekot iekārtu
Strādājot ar ierīci, valkājiet aizsargcimdus.

Pat lietojot ierīci atbilstoši noteikumiem, nav iespējams pilnībā izslēgt citus riskus. Ierīces izmantošanas laikā var rasties turpmākie riska faktori, kādēļ ierīces lietotājam nepieciešams ievērot turpmākās norādes:

- Lai izvairītos no paliekošiem dzirdes traucējumiem, ierobežojiet darba ilgumu ar ierīci un lietojiet piemērotus dzirdes aizsardzības līdzekļus.
- Strādājot ar ierīci, ir jālieto elpošanas maskas, lai izvairītos no veselības problēmām, ko izraisa radīto putekļu ieelpošana.

LĀZERS

Nelūkot cieši lāzera starā un nevīzīt to uz citām personām.

Nelūkot cieši lāzera ar optiskām ierīcēm (ar binokulāru, tālskati).

Nevīzīt lāzera uz atstarojošām/reflektējošām virsmām.

Sargājieties no lāzera radiācijas apstarošanas. Lāzers var izstarot bistamu radiāciju.

Nenomainiet elektroinstrumentā iebūvēto lāzera ar cita tipa lāzera ierīci. Visa veida remontdarbus drīkst veikt tikai sertificēti klientu apkalpošanas servisa speciālisti.

NOTEIKUMIEM ATBILSTOŠS IZMANTOJUMS

Sagarumošanas zāģis ir piemērots veselu koku, limētas koksnes, kokveidīgu sagatavju un plastmasas zāģēšanai.

Formas ar apaļu vai neregulāru šķērsgrīzumu (piem., malka, nedrīkst tikt zāģētas, ja zāģēšanas procesa laikā tās netiek droši nstiprinātas. Zāģējot augstās malas plakanajām formām ir jāizmanto piemēroti instrumenti zāģa drošai vadībai.

PĀRĒJIE RISKI

Pat lietojot ierīci atbilstoši noteikumiem, nav iespējams pilnībā izslēgt citus riskus. Ierīces izmantošanas laikā var rasties turpmākie riska faktori, kādēļ ierīces lietotājam nepieciešams ievērot turpmākās norādes:

- Vibrācijai radītās traumas. Turiet ierīci aiz tam paredzētajiem rokturiem un ierobežojiet darba un ekspozīcijas laiku.
- Troksnis var bojāt dzirdi. Lietojiet dzirdes aizsargierīces un ierobežojiet ekspozīcijas laiku.
- Netūrumu daļiņas var traumēt acis. Vienmēr valkājiet aizsargbrilles, stingras, garas bikses un izturīgus apavus.
- Indīgu putekļu ieelpošana.

ATBILSTĪBA CE NORMĀM

Mēs ar pilnu atbildību paziņojam, ka izstrādājums, kas raksturots sadaļā „Tehniskie dati”, atbilst visām attiecīgajām prasībām direktīvās

2011/65/EU, (EU) 2015/863 (RoHS)
2006/42/EC
2014/30/EU

un ir piemēroti šādi saskaņotie standarti ir izmantoti

EN 62841-1:2015+A11:2020
EN IEC 62841-3-9:2020+A11:2020
EN IEC 55014-1:2021
EN IEC 55014-2:2021
EN IEC 63000:2018



Winnenden, 2022-12-12

Alexander Krug / Managing Director
Pilnvarotais tehniskās dokumentācijas sastādītājs.

Techtronic Industries GmbH
Max-Eyth-Straße 10, 71364 Winnenden, Germany

AKUMULĀTORI

Akumulātori, kas ilgāku laiku nav izmantoti, pirms lietošanas jāuzlādē. Pie temperatūras, kas pārsniedz 50°C, akumulātoru darbība tiek negatīvi ietekmēta. Vajag izvairīties no ilgākas saules un karstuma iedarbības.

Lādētāja un akumulātoru pievienojuma kontakti jāuztur tīri.

Lai baterijas darba ilgums būtu optimāls, pēc iekārtas izmantošanas tā jāuzlādē.

Lai akumulātoru kalpotu pēc iespējas ilgāku laiku, tos pēc uzlādes ieteicams atvienot no lādētājierīces.

Akumulātoru uzglabāšana ilgāk kā 30 dienas: Glabājiet akumulātoru bloku mitrumam nepakļautā vietā temperatūrā zem 27 °C. Uzglabāt akumulātoru uzlādes stāvoklī aptuveni pie 30%-50%.

LITĪJA JONU AKUMULĀTORU TRANSPORTĒŠANA

Litija jonu akumulātoru transportēšana

Šo akumulātoru transportēšana jāveic saskaņā ar vietējiem, valsts un starptautiskajiem normatīvajiem aktiem un noteikumiem.

Patērētāja darbības, pārvaldājot šos akumulātorus pa autoceļiem, nav reglamentētas.

Uz litija jonu akumulātoru komerciālu transportēšanu, ko veic ekspedīcijas uzņēmums, attiecas bīstamo kravu pārvadāšanas noteikumi. Sagatavošanas darbus un transportēšanu drīkst veikt tikai atbilstoši apmācīts personāls. Viss process jāveda profesionāli.

Veicot akumulātoru transportēšanu, jāievēro:

Pārliecinieties, ka kontakti ir aizsargāti un izolēti, lai izvairītos no īssavienojumiem. Pārliecinieties, ka akumulātors iepakojumā nevar paslidēt. Bojātus vai tekošus akumulātorus nedrīkst transportēt. Plašāku informāciju Jūs varat saņemt no ekspedīcijas uzņēmuma.

AKUMULĀTORA AIZSARDZĪBA PRET PĀRSLOGOJUMU

Ja akumulātoru tiek pārslēgti ļoti liela strāvas patēriņa rezultātā, piemēram, ļoti lielos griezes momentos, iesprūstot darba rīkam, pēkšņi apstājoties vai īssavienojuma gadījumā elektroinstrumenti apstājas uz 2 sekundēm un pats izslēdzas. Noņemiet akumulātoru komplektu no ierīces

un atlieciet to atpakaļ. Esot ārkārtīgi augstam noslogojumam, akumulātors sakarst pārāk daudz. Šādā gadījumā visas uzlādes indikatora lampiņas mirgo tik ilgi, kamēr akumulātors ir atdzisis. Darbu varat turpināt, kad uzlādes indikatora vairs nedeg. Akumulātoru var ievietot lādētājā, lai to atkal uzlādētu un aktivizētu.

APKOPE

Pirms mašīnai veikt jebkāda veida apkopes darbus, ir jāizņem ārā akumulātors.

Pirms zāģa asmens pievienošanas vai noņemšanas noteikti atslēdziet instrumentu no strāvas padeves.

Nomainīt nolietojušos galda plati.

Iekārtu un aizsardzības aprīkojumu jātīra ar tīru un sausu lupatiņu.

Vajag vienmēr uzmanīti, lai būtu tīras dzesēšanas atveres.

Izmantojiet tikai firmu Milwaukee piederumus un firmas Milwaukee rezerves daļas. Lieciet nomainīt detaļas, kuru nomaīņa nav aprakstīta, kādā no firmu Milwaukee klientu apkalpošanas servisiem. (Skat. brošūru "Garantija/klientu apkalpošanas serviss".)

Ja nepieciešams, klientu apkalpošanas servīšā vai tieši pie firmas Techtronic Industries GmbH, Max-Eyth-Straße 10, 71364 Winnenden, Germany, var pieprasīt instrumenta numurs, kas norādīts uz jaudas paneļa.

SIMBOLI



UZMANĪBU! BĪSTAMI!



Pirms mašīnai veikt jebkāda veida apkopes darbus, ir jāizņem ārā akumulātors.



Pirms sākt lietot instrumentu, lūdzu, izlasiet lietošanas pamācību.



Strādājot ar mašīnu, vienmēr jānēsā aizsargbrilles.



Nēsāt trokšņa slāpētāju!



Jāvalkā aizsargcimdai!



Raugieties, lai rokas vienmēr būtu ārpus zāģa diska zonas.



Ierīci sargājiet no lietus.



Šis produkts satur 2. klases patēriņa lāzera izstrādājumu saskaņā ar

EN 60825-1:2014+A11:2021 un EN 50689:2021.

Nelūkot cieši lāzera starā.



Neutilizējiet bateriju atkritumus, elektrisko un elektronisko iekārtu atkritumus kā nešķirotus sadzīves atkritumus. Bateriju atkritumi un elektrisko un elektronisko iekārtu atkritumi ir jāsavāc atsevišķi. Bateriju atkritumi, akumulātoru atkritumi un gaismas avotu atkritumi ir jānoņem no iekārtas. Sazinieties ar vietējo iestādi vai mazumtirgotāju, lai iegūtu padomus par atbilstošu pārstrādi un savākšanas punktu. Atkarībā no vietējiem noteikumiem, mazumtirgotājiem var būt pienākums bez maksas pieņemt atpakaļ bateriju atkritumus un elektrisko un elektronisko iekārtu atkritumus. Jūsu ieguldījums bateriju atkritumu un elektrisko un elektronisko iekārtu atkritumu atkārtota izmantošanā un atbilstošā pārstrādē palīdz samazināt pieprasījumu pēc izejvielām. Bateriju atkritumus, īpaši tajos, kas satur litiju, un elektrisko un elektronisko iekārtu atkritumus ir vērtīgi, atbilstoši pārstrādājami materiāli, kas var negatīvi ietekmēt vidi un cilvēku veselību, ja tie netiek utilizēti videi draudzīgā veidā. No iekārtu atkritumiem izdzēsiet personāla datus, ja tādi ir.

V

Voltāža

==

Lidzstrāva

n₀

Tukšgaitas apgriezienu skaits



Zāģa ripas ārējais diametrs x iekšējais diametrs



Eiropas atbilstības zīme



Lielbritānijas atbilstības zīme



Ukrainas atbilstības zīme



Eiropas Savienības atbilstības zīme

Techniniai duomenys Traukiamasis kampinis apipjovimo pjūklas	M18 SMS216
Produkto numeris	4745 85 04... ... 000001-999999
Sūkių skaičius laisva eiga	2700 min ⁻¹
Keičiamo akumuliatoriaus įtampa	18V ---
Pjovimo disko ø x grežinio ø	216 x 30 mm
Pjovimo disko storis	1,5 mm
Pjūvio plotis maks. Istrižo pjūvio kampas horizontalioje plokštumoje 0° / Istrižo pjūvio kampas vertikaloje plokštumoje 0° Istrižo pjūvio kampas horizontalioje plokštumoje 45° / Istrižo pjūvio kampas vertikaloje plokštumoje 0° Istrižo pjūvio kampas horizontalioje plokštumoje 0° / Istrižo pjūvio kampas vertikaloje plokštumoje 45° Istrižo pjūvio kampas horizontalioje plokštumoje 45° / Istrižo pjūvio kampas vertikaloje plokštumoje 45°	60 x 270 mm 60 x 190 mm 48 x 270 mm 48 x 190 mm
Min. apdorojamos detalės matmenys	130 x 35 x 2 mm
Rekomenduojama aplinkos temperatūra eksploatuojant	-5°C - +40°C
Rekomenduojami akumuliatoriai	M18B..., M18HB...
Rekomenduojami įkrovikliai	M12-18..., M1418 C6
Prietaiso svoris įvertintas pagal EPTA 01/2014 tyrimų metodiką	14,5 kg
Šiame pjūkle naudojama II klasės lazerio spinduliuotė, su maksimaliu P ≤ 1mW ir λ: 620 ~ 660 nm bangų ilgiu.	
Informacija apie keliamą triukšmą Vertės matuotos pagal EN 62841. Įvertintas A įrenginio keliamo triukšmo lygis dažniausiai sudaro:	
Garso slėgio lygis (Paklaida K=3dB(A))	91,8 dB (A)
Garso galios lygis (Paklaida K=3dB(A))	105 dB (A)
Nešioti klausos apsauginės priemonės!	



Liet

DĖMESIO

Šioje atmintinėje nurodyta skleidžiamo triukšmo vertė išmatuota laikantis EN 62841 standarte numatytos bandymo procedūros ir gali būti naudojama lyginant įrankius tarpusavyje. Ji tinka ir preliminariam apšvietimui.

Nurodyta skleidžiamo triukšmo vertė būdinga pagrindiniams įrankio naudojimui atvejams. Tačiau jei įrankis naudojamas kitokiais būdais arba su kitokiais priedais arba jo techninė priežiūra yra nepakankama, skleidžiamo triukšmo vertė gali būti kitokia. Tai per visą darbinį laikotarpį gali smarkiai padidinti apkrovą. Norint tiksliai nustatyti triukšmą sukeliama apkrovą reikėtų įvertinti ir laiką, kai įrankis yra išjungtas arba nors ir veikia, bet faktiškai nėra naudojamas. Per visą darbinį laikotarpį tai gali smarkiai sumažinti apkrovą.

Kad operatorių apsaugotumėte nuo triukšmo poveikio, nustatykite papildomas saugumo priemones, pvz., susijusias su įrankio ir priedų technine priežiūra ir darbo procesų organizavimu. Nešiokite klausos apsaugos priemones. Dėl didelio triukšmo poveikio gali būti pažeidžiama klausos.

⚠ DĖMESIO Perskaitykite visas saugos nuorodas, instrukcijas, iliustracijas ir duomenis, kuriuos gaunate su prietaisu. Jei nepaisysite toliau pateiktų nuorodų, gali kilti elektros smūgio, gaisro ir/arba sunkių sužalojimų pavojus. **Išsaugokite šias saugos nuorodas ir reikalavimus, kad ir ateityje galėtumėte jais pasinaudoti.**

⚠ ISTRIŽO PJOVIMO STAKLIŲ SAUGOS INSTRUKCIJOS

a) Istrižo pjovimo staklės skirtos medienai ir gaminiams, panašiams į medieną pjauti, staklėmis negalima pjauti

naudojant abrazyvinius pjovimo diskus, skirtus pjauti tokias medžiagas kaip strypai, juostos, smeigės ir pan. Dėl šlifavimo dulkių pradeda strigti judančios dalys, pavyzdžiui, apatinis gaubtas. Abrazyvinių pjovimo darbų kibirkštys išdegins apatinį gaubtą, įdeklą įpjovai ir kitas plastmasines dalis.

b) Jei įmanoma, pritvirtinkite ruošinį spautukais. Jei ruošinį prilaikote ranka, privalote ją laikyti bent 100 mm atstumu nuo bet kurios pjovimo disko pusės. Nenaudokite šių staklių dalims, kurios yra per mažos, kad būtų tvirtai prispaustos arba prilaikomos ranka, pjauti. Jei ranka padėta per arti pjovimo disko, padidėja pavojus susižaloti prisilietus prie disko.

c) Ruošinyje turi būti stacionarus ir priveržtas arba laikomas prie kreiptuvo ir stalo. Nestumkite ruošinio į diską, nepjunkite „laisvomis rankomis“. Nepritvirtinti arba judantys ruošiniai gali būti išmesti dideliu greičiu ir sužaloti.

d) Stumkite stakles per ruošinį. Netraukite staklių per ruošinį. Norėdami atlikti pjūvį pakelkite pjovimo galvutę ir traukite ją per ruošinį nepjudami, paleiskite variklį, spauskite pjovimo galvutę žemyn ir stumkite stakles per ruošinį. Pjaunant traukimo judesiu pjovimo diskas gali pakilti ant ruošinio, o disko blokas gali stipriai trenktis į operatoriaus pusę.

e) Niekada nedėkite rankos kryžmai virš numatytos pjovimo linijos, tiek prieš pjovimo diską, tiek ir už jo. Labai pavojinga prilaikyti ruošinį „sukeitus rankas“, t. y. laikyti ruošinį kaire ranka dešinėje pusėje nuo pjovimo disko ir atvirksčiai.

f) Diskui sukantis nesiekite bet kuria ranka už kreiptuvo arčiau negu 100 mm atstumu nuo bet kurios pjovimo disko

pusės, jei norite pašalinti medienos likučius ar dėl kurios nors kitos priežasties. Galite nepajusti, kai besisukantis pjovimo diskas bus arti rankos, todėl galite sunkiai susižaloti.

g) Prieš pjudami apžiūrėkite ruošinį. Jei ruošinys yra sulinkęs ar iškrypęs, prispauskite jį prie kreiptuvo neįkrypusia dalimi. Visada patikrinkite, ar palei pjovimo liniją tarp ruošinio, kreiptuvo ir stalo nėra tarpų. Sulinkę ar iškrypę ruošiniai gali pasisukti arba pasislinkti, todėl pjaunant įstrigti besisukančiame pjovimo diske. Ruošinyje neturi būti vinių ar pašalinių daiktų.

h) Nenaudokite staklių, kol ant stalo yra paliktų įrankių, medienos likučių ir pan., turi likti tik ruošinys. Smulkios nuopjovos ar laisvi medienos ar kitų daiktų gabalėliai prisilietę prie besisukančio disko gali būti išsviesti dideliu greičiu.

i) Vienu metu pjaukite tik vieną ruošinį. Kelių ruošinių, sudėtų vienas ant kito, negalima tinkamai prispausti ar sutvirtinti, todėl pjaunant jie gali užstrigti prie disko ar pasislinkti.

j) Prieš naudodami patikrinkite, ar įstrižo pjovimo staklės yra uždėtos ar pritvirtintos prie lygaus ir tvirto darbo paviršiaus. Dėl lygaus ir tvirto darbo paviršiaus sumažėja pavojus įstrižo pjovimo staklėms tapti nestabilioms.

k) Kiekvieną kartą keisdami nuožambio ar įstrižo pjovimo kampo nustatymus įsitikinkite, kad reguliuojamas kreiptuvas yra nustatytas tinkamai, prilaiko ruošinį ir netrukdo diskui ar apsauginei sistemai pjauti. Prieš JUNGDOMI įrankį pastumkite pjovimo diską visu būsimu pjūviu bei ruošinio, kad įsitikintumėte, jog nebus jokių trukdžių ar pavojaus įpjauti kreiptuvą.

l) Jei ruošinys yra platesnis ar ilgesnis už stalviršį, pasirūpinkite pakankama atrama, pavyzdžiui, stalo pailginimu, pjovimo stovais ar pan. Tinkamai neatremti, ilgesni ar platesni už įstrižo pjovimo staklių stalą ruošiniai gali nuvirsti. Jei atpjauta dalis ar ruošinys nuvirsta, jie gali pakelti apatinę staklių apsaugą, taip pat juos gali išsviesti besisukantis diskas.

m) Kito žmogaus pagalba negali atstoti stalo pailginimo. Dėl nestabilios ruošinio atramos pjaunant diskas gali įstrigti arba ruošinys gali pasislinkti, todėl jūs arba jūsų pagalbininkas gali būti trūktelėtas link besisukančio disko.

n) Nupjautos dalies negalima spausti, tiesiogiai ar ne, prie besisukančio pjovimo disko. Prispausta, pvz., naudojant ilgio stabdiklius, nupjauta dalis gali įsisprausti prieš diską ir būti smarkiai išsviesta.

o) Apvalias medžiagas, pavyzdžiui, strypus ar vamzdelius visada tinkamai atremkite naudodami spautuvus ar fiksavimo įrangą. Pjaunami strypai link riedėti, todėl diskas gali įsispausti į juos, traukdamas ruošinį ir jūsų rankas į diską.

p) Prieš pridant diską prie ruošinio diskas turi pasiekti visą savo sukimosi greitį. Taip sumažės ruošinio išsviedimo rizika.

q) Jei ruošinys ar diskas įstrigo, išjunkite įstrižo pjovimo stakles. Palaukite, kol visos judančios dalys sustos, tada ištraukite kištuką iš elektros lizdo ir (arba) išimkite akumuliatorių pakuotę. Tada atlaisvinkite įstrigusį ruošinį. Jei toliau pjausite įstrigusį ruošinį, galite prarasti įstrižo pjovimo staklių kontrolę arba jas apgadinti.

r) Užbaigę pjovimą atleiskite jungiklį, laikykite pjovimo

galvutę nukreiptą žemyn ir palaukite, kol diskas nebesisuks, tada išimkite ruošinį. Siekti ranka šalia disko, judančio iš inercijos, yra pavojinga.

s) Atlikdami nevisą pjūvį ar atleisdami jungiklį laikykite rankeną tvirtai, kol pjovimo galvutė bus visiškai apatinėje padėtyje. Dėl pjovimo staklių stabdymo veiksmo pjovimo galvutė staiga atšokti žemyn, taip kyla pavojus susižaloti.

Kiti saugumo ir darbo nurodymai

Visada dirbkite su asmens apsaugos priemonėmis ir apsauginiais akiniais. Naudojant asmens apsaugos priemones, pvz., respiratorių ar apsauginę kaukę, neslystantčius batus, apsauginį šalną, klausos apsaugos priemones ir kt., rekomenduojamas atitinkamai pagal naudojamą elektrinį įrankį, sumažėja rizika susižeisti.

Nešiokite klausos apsaugos priemones. Dėl didelio triukšmo poveikio gali būti pažeidžiama klausos.

Darbo metu kylančios dulės dažnai kenkia sveikatai, todėl turėtų nepatekti į organizmą. Naudokite dulkių nusiurbimą, papildomai nešiokite tinkamą apsaugos nuo dulkių kaukę. Kruopščiai pašalinkite, pvz. nusiurbkite, nusėdusias dulkes.

Pjudami medieną, pjūklą prijunkite prie dulkių siurblio.

Mes rekomenduojame, prieš pirmą kartą naudojant prietaisą, atidžiai perskaityti naudojimo instrukciją ir išklausti paaikškinimų apie praktinį naudojimą.

Užtikrinti, kad įrenginys stovėtų stabiliai (pvz., pritvirtinti prie darbastalo)

Pasirūpinti tvarka, kad ant grindų nesimetų medžiagų atliekos: drožlės, nuopjovos.

Nenaudoti apgadintų ir deformuotų pjūklų diskų.

Draudžiama naudoti pjovimo diskus, kurie neatitinka šioje naudojimo instrukcijoje nurodytų žyminių duomenų.

Leidžiama naudoti tik tokius įrankius, kurie atitinka normą EN 847-1.

Negalima naudoti iš greitapjūvio plieno pagamintų pjovimo diskų.

Pasirinkite pjaunamai medžiagai tinkamą pjovimo diską.

Panaudojamų dalių leistinas apsisukimų skaičius turi būti mažiausiai tokio dydžio, koks yra nurodytas didžiausias apsisukimų skaičius ant elektros prietaiso. Dalys, kurios sukasi greičiau negu yra leistina, gali sulūžti ir skristi į šalis.

Įrankius transportuoti ir laikyti reikia tam tikslui pritaikytose dėžėse. Pjovimo diskui pritvirtinti galima naudoti tik pridėdamas ir naudojimo vadove pavaizduotas įvares.

Nupjovimo pjūklui niekada nenaudokite kitokioms medžiagoms pjauti, nei tai nurodyta naudotojo vadove.

Diskiniu pjūkle su gaubtu galima naudotis tik turint saugiai veikiančių ir techniškai prižiūrėtų apsauginį gaubtą. Apsauginis gaubtas turi automatiškai užsiblokuoti.

Nešalinti jokių pjovimo likučių ar kitų pjovimo detalių liekanų, jei mašina veikia, o pjūklą galvutė nėra pradinėje padėtyje.

Nekiškite rankų į veikiančio įrenginio pavojaus zoną.

Būtinai naudokite įrenginio saugos įtaisus.

Pastebėjus bet kokius mašinos, taip pat ir saugos įrenginių bei pjovimo disko gedimus, tai reikia tuojau pat pranešti už saugumą atsakingam asmeniui.

Draudžiama užfiksuoti atidarytą stumdomą apsauginį gaubtą.

Jei pjaunami objektai ilgi, juos tinkamai paremkite.

Nupjovimo pjūklą gabenkite tik už rankenos, užsklendę transportinį



Liet

sklāstj.

Atlikdami žjambius, jstrižus arba žjambius kombinuotus pjovimuis, sureguliuokite slankiājā tvorelę taip, kad užtikrintumėte tinkamą atstumą nuo ašmenų.

Dėl suderinto tiekimo greičio išvengsite pjovimo disko dantukų perkaitinimo, o pjaunant plastiką išvengsite medžiagos išsilydymo. Darbinis įrankis yra aštriabriaunis ir naudojimo metu gali įkaisti.

ĮSPĖJIMAS! Pavojus įsijauti ir nudegti:

- dirbant su darbinio įrankiu,
- padedant prietaisą
- Dirbdami su darbinio įrankiu, mūvėkite apsaugines pirštines.

Net ir pagal paskirtį naudojant produktą negalima visiškai išvengti kitų pavojų. Naudojant galimos šios rizikos, todėl naudotojas turėtų atkreipti dėmesį į šiuos dalykus:

- Norint nepažeisti klausos, reikia roboti naudojimo laiką ir dėvėti tinkamą klausos apsaugą.
- Būtina dėvėti kvėpavimo apsaugą, siekiant išvengti sveikatai keliamų pavojų, kylančių kvėpavimo metu atsiradusių dulkių.

LAZERIS

Nežiūrėkite į lazerio spindulį ir nekreipkite jo į kitus asmenis.

Nežiūrėkite į lazerį su optinėmis pagalbinėmis priemonėmis (binokliu, teleskopu).

Lazerio nekreipkite į atspindinčius paviršius.

Venkite ilgalaikės lazerio spinduliuotės. Lazeris gali skleisti stiprią spinduliuotę.

Įmontuoto lazerio nepakeiskite kito tipo lazeriu. Taisymo darbus gali atlikti tik įgalioti techninės priežiūros specialistai.

NAUDOJIMAS PAGAL PASKIRTĮ

Diskinis pjūklas su gaubtu naudojamas masyviai ir klijuotai medienai, kitoms panašioms į medį gamybinėms medžiagoms ir plastikui pjauti.

Apvalaus ar netaisyklingo skersinio pjūvio detalių, pavyzdžiui, malkų, pjaustyti negalima, kadangi pjaunant jų neįmanoma saugiai pritvirtinti. Pjaunant plokščias detales briauna žemyn reikia panaudoti tinkamą pagalbinę atramą apsaugai užtikrinti.

KITI PAVOJAI

Net ir pagal paskirtį naudojant produktą negalima visiškai išvengti kitų pavojų. Naudojant galimos šios rizikos, todėl naudotojas turėtų atkreipti dėmesį į šiuos dalykus:

- Vibracijos sukelti sužalojimai. Įrenginį laikykite už tam skirtų rankenų ir apribokite darbo bei ekspozicijos trukmę.
- Dėl triukšmo gali būti pažeista klausos. Naudokite klausos organų apsaugos priemones ir apribokite ekspozicijos trukmę.
- Nešvarumų dalelių sukelti akių sužalojimai. Visuomet būkite su apsauginiais akiniais, mūvėkite tvirtas ilgas kelnes ir avėkite virtus apsauginius batus.
- Nuodingų dulkių įkvėpimas.

CE ATITIKTIES PAREIŠKIMAS

Priisiiddami visą atsakomybę pareiškiamo, kad gaminys, aprašytas „Techniniuose duomenyse“, atitinka taikomus reikalavimus, išdėstytus direktyvose

2011/65/EU, (EU) 2015/863 (RoHS)
2006/42/EC
2014/30/EU

ir buvo taikyti šie darnieji standartai buvo naudotas

EN 62841-1:2015+A11:2022
EN IEC 62841-3-9:2020+A11:2020
EN IEC 55014-1:2021
EN IEC 55014-2:2021
EN IEC 63000:2018



Winnenden, 2022-12-12

Alexander Krug / Managing Director
Įgaliotas parengti techninius dokumentus.

Techtronic Industries GmbH
Max-Eyth-Straße 10, 71364 Winnenden, Germany

AKUMULIATORIAI

Ilgesnį laiką nenaudotus keičiamus akumulatorius prieš naudojimą įkraukite. Aukštesnė nei 50°C temperatūra mažina keičiamų akumulatorių galią. Venkite ilgėsno saulės ar šilumos šaltinių poveikio.

Įkroviklio ir keičiamo akumulatoriaus jungiamieji kontaktai visada turi būti svarūs.

Kad prietaisas kuo ilgiau veiktų, pasinaudoję juo, iki galo įkraukite akumulatorius.

Siekiant užtikrinti kuo ilgesnį baterijos tarnavimo laiką, reikėtų ją po atlikto įkrovimo iškart išimti iš įkroviklio.

Bateriją laikant ilgiau nei 30 dienu, būtina atkreipti dėmesį į šias nuorodas: Laikykite akumulatoriaus bloką žemesnėje nei 27°C temperatūroje ir sausoje vietoje. Baterijos įkrovimo lygis turi būti nuo 30% iki 50%.

LIČIO JONŲ AKUMULIATORIŲ PERVEŽIMAS

Ličio jonų akumulatorių pervežimas

Šiuos akumulatorius pervežti būtina laikantis vietinių, nacionalinių ir tarptautinių direktyvų ir nuostatų.

Naudotojai šiuos akumulatorius gali naudoti savo transporte be jokių kitų sąlygų.

Už komercinį ličio jonų akumulatorių pervežimą atsako ekspedicijos įmonė pagal nuostatas dėl pavojingų krovinių pervežimo. Pasiruošimo išsiųsti ir pervežimo darbus gali atlikti tik atitinkamai išmokyti asmenys. Visas procesas privalo būti prižiūrimas.

Pervežant akumulatorius būtina laikytis šių punktų:

Siekiant išvengti trumpųjų jungimų, įsitinkinkite, kad kontaktai yra apsaugoti ir izoliuoti. Atkreipkite dėmesį, kad akumulatorius pakuotės viduje neslidinėtų. Draudžiama pervežti pažeistus arba tekancius akumulatorius. Dėl detalesnių nurodymų kreipkitės į savo ekspedicijos įmonę.

APSAUGA NUO AKUMULIATORIAUS PERKROVOS

Jeigu akumulatoriui tenka didelės elektros energijos sąnaudos, pavyzdžiui, ypač dideli sukimo momentai, įstatomo įrankio užstrigimas, staigus sustabdymas arba trumpasis jungimas, elektros įrankis sustabdomas 2 s ir po to pats išsijungia. Norėdami nustatyti iš naujo, išimkite iš įrankio akumulatorių ir vėl įjėkite. Esant ekstremalioms apkrovoms akumulatorius per stipriai įkaista. Tokiu atveju visos įkrovos lemputės mirksi taip ilgai, kol akumulatorius atvėsta. Užgesus įkrovos rodmėmis įrankiu galima naudotis toliau. Tada akumulatorių reikia įkristi į kroviklį, kad jis įsikrautų ir veiktų.

TECHNINIS APARTAVIMAS

Prieš atlikdami bet kokius darbus įrenginyje, išimkite keičiamą akumulatorių.

Prieš montuodami ar nuimdami pjūklą geležtę, įrankį nuo elektros maitinimo šaltinio būtina atjungti.

Pakeisti susidėvėjusią stalo plokštę.

Sausu skudurėliu nuvalykite prietaisą ir apsauginį įrenginį.

Įrenginio vėdinimo angos visada turi būti švarios.

Naudokite tik „Milwaukee“ priedus ir „Milwaukee“ atsargines dalis. Dalis, kurių keitimas neaprašytas, leidžiama keisti tik „Milwaukee“ klientų aptarnavimo skyriams (žr. garantiją/klientų aptarnavimo skyrių adresus brošiūroje).

Jei reikia, nurodant įrenginio tipą bei specifikacijų lentelėje esantį numerį, iš klientų aptarnavimo skyriaus arba tiesiai iš Techtronic Industries GmbH, Max-Eyth-Straße 10, 71364 Winnenden, Germany, galima užsisakyti prietaiso surinkimo brėžinius.

SYMBOLIAI



DĖMESIO! ĮSPĖJIMAS! PAVOJUS!



Prieš atlikdami bet kokius darbus įrenginyje, išimkite keičiamą akumulatorių.



Prieš pradėdami dirbti su prietaisu, atidžiai perskaitykite jo naudojimo instrukciją.



Dirbdami su įrenginiu visada nešiokite apsauginius akinius.



Nešioti klausos apsaugines priemones!



Lietojiet aizsardzības cimdus!



Rankas laikyti kuo toliau nuo diskinio pjūkl.



Įrenginį saugoti nuo lietaus.



Šiame gaminyje yra 2 klasės platus vartojimo lazerinis gaminyje pagal EN 60825-1:2014+A11:2021 ir EN 50689:2021. **Nežiūrėkite į lazerio spindulį.**



Neišmeskite baterijų atliekų, elektros ir elektroninės įrangos atliekų kaip nerūšiuotų komunalinių atliekų. Baterijų ir elektros bei elektroninės įrangos atliekos turi būti surenkamos atskirai. Iš įrangos turi būti pašalintos baterijų, akumuliatorių atliekos ir šviesos šaltiniai. Patarimų dėl perdirbimo ir surinkimo vietos kreipkitės į vietinę instituciją arba pardavėją. Priklausomai nuo vietos teisės aktų, mažmeniniai gali būti įpareigoti nemokamai priimti atgal senas baterijas, seną elektros ir elektronikos įrangą. Jūsų indėlis į pakartotinį baterijų ir elektros bei elektroninės įrangos atliekų panaudojimą ir perdirbimą padeda sumažinti žaliavų poreikį. Akumuliatorių, ypač kurių sudėtyje yra ličio, ir elektros bei elektroninės įrangos atliekose yra vertingų, perdirbamų medžiagų, kurios gali neigiamai paveikti aplinką ir žmonių sveikatą, jei jos nebus šalinamos aplinką tausojančiu būdu. Išrinkite personalo duomenis iš įrangos atliekų, jei tokių yra.

V

Įtampa



Nuolatinė svorė

n₀

Sūkių skaičius laisva eiga



Pjovimo disko ø x gręžinio ø



Europos atitikties ženklas



Britanijos atitikties ženklas



Ukrainos atitikties ženklas



Eurazijos atitikties ženklas

Tehnilised andmed Nurgasaag	M18 SMS216
Tootmisnumber	4745 85 04... ... 000001-999999
Pöörlemiskiirus tühijoosul	2700 min ⁻¹
Vahetatava aku pinge	18V ---
Saelehe ø x puuri ø	216 x 30 mm
Saelehe paksus	1,5 mm
Lõike laius max. Kaldenurk horisontaalne 0°/ Kaldenurk vertikaalne 0° Kaldenurk horisontaalne 45°/ Kaldenurk vertikaalne 0° Kaldenurk horisontaalne 0°/ Kaldenurk vertikaalne 45° Kaldenurk horisontaalne 45°/ Kaldenurk vertikaalne 45°	60 x 270 mm 60 x 190 mm 48 x 270 mm 48 x 190 mm
Min. tooriku mõõtmed	130 x 35 x 2 mm
Soovituslik keskkonna temperatuur töötamiseks	-5°C - +40°C
Soovituslikud akupakid	M18B..., M18HB...
Soovituslik laadija	M12-18..., M1418 C6
Kaal vastavalt EPTA-protseduurile 01/2014	14,5 kg
Käesolevas süsteemis kasutatav laservalgus ja laserkiirgus vastavad klassile II, selle maksimaalne jõudlus on P≤1mW ja see on λ: 620 ~ 660 nm lainepikkusega.	
Müra andmed Mööteväärtsused on kindlaks tehtud vastavalt normile EN 62841. Seadme tüüpiline hinnanguline (müratase): Helirõhutase (Määramatus K=3dB(A)) Helivõimsuse tase (Määramatus K=3dB(A)) Kandke kaitseks kõrvaklappe!	91,8 dB (A) 105 dB (A)

TÄHELEPANU

Selles infolehes esitatud müraemissiooni väärtus on mõeldud vastavalt katsemetodi standardile EN62841 ja seda saab kasutada tööriistade omavaheliseks võrdlemiseks. See sobib ka eelneva koormuse hindamiseks.

Esitatud müraemissiooni väärtus tähistab tööriista kasutamist peamistel rakendusalaadel. Kui aga tööriista kasutatakse muudel eesmärkidel või koos teiste tarvikutega või kui see on halvasti hooldatud, võib müra väärtus erineda. See võib märkimisväärselt suurendada koormust kogu tööperioodi jooksul. Müra koormuse täpseks hindamiseks tuleks arvesse võtta ka aega, mil tööriist on välja lülitatud või küll sisse lülitatud, kuid mitte tegelik kasutuses. See võib märkimisväärselt vähendada koormust kogu tööperioodi jooksul.

Võtke kasutusele täiendavad ohutusabinõud operatori kaitsemiseks müra mõjude eest, nagu näites: tööriista ja lisaseadmete hooldus ning tööprotsesside korraldamine. Kandke kaitseks kõrvaklappe. Müra toime võib põhjustada kuulmiskadu.

⚠ TÄHELEPANU Lugege kõik seadmega kaasas olevad ohutusjuhised, juhendid, joonised ja andmed läbi. Järgnevalt toodud juhiste eiramise tagajärjeks võib olla elektrilöök, tulekahju ja/või rasked vigastused. **Hoidke kõik ohutusnõuded ja juhised edasiseks kasutamiseks hoolikalt alles.**

⚠ OHUTUSJUHISED PENDELSAAGIDELE

a) **Pendelsaad on mõeldud pidu või puidusarnaste toodete lõikamiseks, neid ei saa kasutada abrasiivsete lõikeketaste-**

ga raudmaterjalide lõikamiseks, nagu talad, vardad, needid jne. Abrasiivne tolm põhjustab liikuvate osade, nagu alumise kaitse, ummistumist. Abrasiivse lõikamise põhjustatud sädemed kõrvetavad alumist kaitset, saelõike vahetükki ja teisi plastosi.

b) **Kasutage võimalusel alati töödetaili toetamiseks klambriid. Töödetaili käega toetades peate alati hoidma oma käe vähemalt 100 mm kaugusel saetera mõlemast küljest. Ärge kasutage seda saagi detailide lõikamiseks, mis on turvaliselt kinnitamiseks või käega hoidmiseks liiga väikesed.** Kui teie käsi asub saeterale liiga lähedal, suureneb saeteraga kokku puutumise tõttu vigastuste saamise oht.

c) **Töödetail peab seisma paigal ning see peab olema kinnitatud klambriga või hoitud vastu nii võre kui lauda. Ärge söötkte töödetaili terale ega lõigake mingil viisil „vaba käega“.** Kinnitamata või liikuvaid töödetaille võidakse suurel kiirusel eemale heita, põhjustades vigastusi.

d) **Lükake saagi läbi töödetaili. Lõike tegemiseks tõstke saepea ja tõmmake see üle töödetaili välja ilma seda lõikamata, käivitage mootor, suruge saepea alla ja lükake saag läbi töödetaili.** Lõikamine tõmbamise ajal võib tõenäoliselt põhjustada saetera töödetailile ronimise ja tera koostu tugevalt kasutaja suunas heitmise.

e) **Ärge kunagi viige oma kätt saetera ees ega taga üle soovitud lõikejoone.** Töödetaili „kæed risti“ toetamine, st töödetaili hoidmine saetera paremal küljel oma vasaku käega või vastupidi, on väga ohtlik.

f) **Ärge haarake saetera töötamise ajal puidujääkide eemaldamiseks või muudel põhjustel kummagi käega võre taha lähemale kui 100 mm saetera kummastki küljest.**

Saetera lähedus teie käele ei pruugi olla ilmne ja te võite saada tõsisid vigastusi.

g) **Vaadake oma töödetail enne lõikamist üle. Kui töödetail on paindunud või kõverdunud, kinnitage see väljapoole kaardus küljega võre poole. Veenduge alati, et töödetaili, võre ja laua vahel ei oleks lõikejoonel vahesid.** Painutatud või kõverdunud töödetailid võivad pöörduda või liikuda ning põhjustada lõikamise ajal pöörleva saetera takerdumist. Töödetailis ei tohi olla naelu ega võrkehi.

h) **Ärge kasutage saagi enne seda, kui laud on puhas kõigist tööriistadest, puidujääkidest jne peale töödetaili.** Pöörleva teraga kokku puutuvad väikesed jätmeid või lahtisi puutükke või muid esemeid võidakse suure kiirusega eemale heita.

i) **Lõigake korraga ainult ühte töödetaili.** Üksteise peale asetatud mitut töödetaili ei saa piisavalt kindlalt kinnitada või toetada ning need võivad põhjustada tera kinni kiulumist või lõikamise ajal liikuda.

j) **Enne kasutamist veenduge, et pendelsaag oleks paigaldatud või asetatud tasasele ja kindlale tööpinnale.** Tasane ja kindel tööpind vähendab pendelsae ebastabiilsuse muutumise ohtu.

k) **Plaanige oma töö ette. Kaldpinna või lõikenurga seadistuse muutmisel veenduge alati, et reguleeritav võre on seatud korralikult töödetaili toetama ega häiri tera ega kaitseüsteemi.** Liigutage saetera ilma tööriista „SISSE“ lülitamata ja ilma laual oleva töödetaili läbi täieliku simuleeritud lõike, et veenduda takistuste või võre lõikamise ohu puudumises.

l) **Pakkuge laua pinnast laiemale või pikemale töödetailile piisavat tuge, nagu lauapikendused, saepukid jne.** Pendelsae lauast pikemad või laiemad töödetailid võivad kindla toe puudumisel kalduda. Lõigatud tüki või töödetaili kaldumisel võib see tõsta alumist kaitset või võidakse see pöörleva tera poolt eemale heita.

m) **Ärge kasutage teist isikut lauapikenduse asendaja või täiendava toena.** Töödetaili ebastabiilne togi võib põhjustada saetera kinni kiulumise või töödetaili lõikamise käigus liikumise, tõmmates teid ja abistajat pöörlevasse terasse.

n) **Lõigatud tükki ei tohi mingil viisil vastu pöörlevat saetera suruda või vajutada.** Kui see on piiratud, nt pikisuunaliste tuge abil, võib lõigatud tükk kiiluda vastu tera ja see võidakse jõuliselt minema heita.

o) **Kasutage ümarmaterjali nagu varaste või torude puhul alati nende korralikult toetamiseks mõeldud klambrit või kinnitust.** Varrastel on kalduvus lõikamise ajal pöörduda, põhjustades tera „hammustamist“ ning töö koos teie käega terasse tõmbamist.

p) **Laske teral enne töödetaili puudutamist saavutada täiskiiirus.** See vähendab töödetaili heitmise ohtu.

q) **Kui töödetail või tera takerdub, lülitage pendelsaag välja. Oodake kõigi liikuvate osade peatumiseni ning eemaldage pistik vooluvõrgust ja/või eemaldage akupakk. Seejärel teostage takerdunud materjali vabastustööd.** Takerdunud töödetailil saagimise jätkamine võib põhjustada kontrolli kaotamise või kahjustada pendelsaagi.

r) **Pärast lõike lõpetamist vabastage lüliti, hoidke saepea all ja oodake enne lõigatud tüki eemaldamist tera peatumiseni.** Käega vabalt pöörleva tera poole haaramine on ohtlik.

s) **Ebatäieliku lõike teostamisel või lüliti vabastamisel enne saepea täielikult alumisse asendisse jõudmist hoidke kindlalt käepidemest.** Sae pidurdamine võib põhjustada saepea äkilist allapoole tõmbamist, põhjustades vigastusohu.

Edasised ohutus- ja tööjuhised

Kandke isikukaitsevahendeid ja alati kaitseprille. Isikukaitsevahendite, näiteks tolmu maski, libesemiskindlate turvajalatsite, kaitsekiivri või kuulmiskaitsevahendite kandmine – sõltuvalt elektrilise tööriista tüübist ja kasutusala – vähendab vigastuste ohtu.

Kandke kaitseks kõrvaklappe. Müra toime võib põhjustada kuulmiskadu.

Töötamisel tekkiv tolm on sageli tervistkahjustav ning ei tohiks organismi sattuda. Kasutage tolmu äraimemist ning kandke täiendavalt sobivat tolmu kaitsemaski. Kogunenud tolm eemaldage põhjalikult, nt imemisega.

Ühendage saag puidu saagimisel tolmumeija külge.

Enne seadme esmakordset kasutamist on soovitatav kasutamist juhendit hoolikalt lugeda ning lasta endale praktilist käsitsemist tutvustada.

Kontrollida tuleb, et seade oleks alati stabiilses asendis (nt tööpinnale kinnitatud).

Pörand tuleb hoida materjalijääkidest, nt saepurust ja jääkklotsidest puhas.

Kahjustatud või deformeerunud saekettaid ei tohi kasutada.

Saelehti, mis ei vasta käesoleva kasutamist juhendi karakteristikutele, ei tohi kasutada.

Kasutada tohib vaid tarvikuid, mis vastavad standardile EN 847-1.

Mitte kasutada kiirloiketerasest valmistatud saelehti.

Lõigatava materjali jaoks valida välja sobiv saeleht.

Instrumendi lubatud pöörete arv peab olema vähemalt sama suur kui elektritööriista märgitud maksimaalne pöörete arv. Tarvikuid, mis pöörlevad lubatust kiiremini, võivad murduda ja lendu paiskuda.

Seadet tuleb transportida ja hoida sobivas pakendis;

Kasutada saelehe kinnitamiseks ainult kaasasolevat ja kasutusjuhendis hendis joonisel näidatud äärikut.

Kappsaagi ei tohi kasutada kunagi muu, kui kasutusjuhendis kirjas oleva materjali lõikamiseks.

Järkamis- ja miusaagi tohib kasutada ainult siis, kui kaitsekate on töökorras ja hästi hooldatud. Kaitsekate peab automaatselt tagasi pöörduma.

Sel ajal, kui seade töötab ja saepea ei ole puhkeasendis, ei tohi saagimisjääke ega materjalitükke saagimispiirkonnast eemaldada! Ärge pange kätt töötava masina ohupiirkonda.

Kasutage tingimata masina kaitseadist.

Masina, kaitseadiste või saelehtede vigadest tuleb kohe nende avastamisel teavitada ohutuse eest vastutavat isikut.

Pendelkaitsekate ei tohi avatud olekus kinnitada.

Pikad materjalid tuleb sobival viisil toetada.

Kappsaagi transportida ainult käepideme juures fikseeritud transportimiskaitsega.

Kald- või liitkaldlõigete teostamisel reguleerige liugtõket, et tagada õige vahemaa teraga.

Vältige sobitatud etteandeküürusega saeketta hammaste ülekuumenemist ning plastmasside lõikamisel materjali sulamist.

Kasutatav tööriist on teravate servadega ja võib kasutamise ajal muutuda kuumaks.

HÕIATUS! Lõike- ja põletusohu

-kasutatavate tööriistade käsitsemisel
-seadme ärapanemisel

Kandke kasutatavate tööriistade käsitsemise ajal kaitsekindaid.

Isegi toote nõuetekohase kasutamise korral pole võimalik jääkohte täielikult välistada. Kasutamisel võib esineda järgmisi riske, mistõttu peaks operaatoreid järgnevat järgima:

- Kuulmekahjustuste vältimiseks tuleb ekspositsiooniga piirata ja sobivat kuulmekaitset kanda.
- Terviseriskide vältimiseks, mis võivad esineda saetolmu sissehingamisel, tuleb kanda respiraatorit.

LASER

Ärge vaadake laserkiirde ja ärge suunage seda teiste isikute poole.

Ärge vaadake laserkiirde optilisi instrumente (binokkel, teleskoop) kasutades.

Ärge suunake laserit peegeldavatele pindadele.

Vältige kokkupuudet laserkiirgusega. Laser võib eraldada ohtlikku kiirgust.

Ärge vahetage seadmesse integreeritud laserit välja mõnda teist tüüpi laseri vastu. Remonti tohivad teostada ainult volitatud teenindustehnikud.

KASUTAMINE VASTAVALT OTSTARBELE

Järkamis- ja miiusaag on kasutatav massiivpuudu, liimpuidu, puidusarnaste materjalide ja plasti saagimiseks.

Ümara või ebakorrapärase ristlõikega detaile (nt küttepuid) ei tohi saagida, sest need ei püsi saagimisel kindlalt paigal. Kui õhukesi lamedaid detaile saetakse nii, et need on serva peal püsti, tuleb need ohutu töötamise tagamiseks toetada sobiva abitõkikiga.

JÄÄKOHUD

Isegi toote nõuetekohase kasutamise korral pole võimalik jääkohte täielikult välistada. Kasutamisel võib esineda järgmisi riske, mistõttu peaks operaatoreid järgnevat järgima:

- Vibratsioonist põhjustatud vigastused. Hoidke seadet selleks ette nähtud käepidemetest ja piirake töö- ning toimeaega.
- Müraaaste võib põhjustada kuulmekahjustusi. Kandke kuulmekaitset ja piirake toimeaega.
- Mustuseosakestest põhjustatud silmavigastused. Kandke alati kaitseprille, vastupidavaid pikki pükse ja tugevaid jalatseid.
- Mürgiste tolmude sissehingamine

EÜ VASTAVUSAVALDUS

Kinnitame oma ainuvastutusel, et „Tehniliste andmete“ all kirjeldatud toode vastab direktiivide kõigile asjakohastele sätetele

2011/65/EU, (EU) 2015/863 (RoHS)

2006/42/EC

2014/30/EU

ning täidetud on järgmiste ühtlustatud standardite nõuded

EN 62841-1:2015+A11:2020

EN IEC 62841-3-9:2020+A11:2020

EN IEC 55014-1:2021

EN IEC 55014-2:2021

EN IEC 63000:2018



Winnenden, 2022-12-12

Alexander Krug / Managing Director

On volitatud koostama tehnilist dokumentatsiooni.

Techtronic Industries GmbH

Max-Eyth-Straße 10, 71364 Winnenden, Germany

AKUD

Pikemat aega mittekasutatud akusid laadike veel enne kasutamist. Temperatuur üle 50 °C vähendab vahetatava aku töövoimet. Vältige pikemat soojenemist päikese või kütteseadme mõjul.

Hoidke laadija ja vahetatava aku ühenduskontaktid puhtad.

Optimaalse patarei eluaega tagamiseks, pärast kasutamist lae patareiplokk täielikult.

Akud tuleks võimalikult pika kasutusea saavutamiseks pärast täislaadimist laadijast välja võtta.

Aku ladustamisel üle 30 päeva: Hoidke akupakki kohas, kus temperatuur on alla 27 °C, ja niiskusest eemal. Ladustage akut u 30-50% laetusseisundis.

LIITIUMIOONAKUDE TRANSPORTIMINE

Liitiumioonakude transportimine

Nende akude transportimine peab toimuma kohalikest, siseriiklikest ja rahvusvahelistest eeskirjadest ning määrustest kinni pidades.

Tarbijad tohivad neid akusid edasiste piiranguteta tänaval transportida.

Liitiumioonakude kommentstransport ekspedeerimisetevõtete kaudu on allutatud ohtlike ainete transportimisega seonduvatele õigusaktidele. Tame-ettevalmistusi ja transporti tohivad teostada eranditult vastavalt koolitatud isikud. Kogu protsessi tuleb asjatundlikult jälgida.

Akude transportimisel tuleb järgida järgmisi punkte:

Tehke kindlaks, et kontaktid on lühiste vältimiseks kaitsitud ja isoleeritud. Pöörake tähelepanu sellele, et akupakk ei saaks pakendis nihkuda.

Kahjustatud või välja voolanud akusid ei tohi kasutada. Pöörduge edasiste juhiste saamiseks ekspedeerimisetevõtete poole.

AKU KOORMUSKAITSE

Kui akumalaatorid on ülekoormatud liiga suure energiakulu tõttu, näiteks, liiga suurte pöörete korral, kinnikiilunud seadme, äkilise seiskumise või lühivahetuse korral instrument seiskub 2 sekundiks ja lülitub ise välja. Lähendamiseks eemaldage akupakk tööriistalt ja asendage see. Ülisuurel koormusel võib aku kuumeneda kõrgete temperatuurideni. Sellisel juhul vilguvad kõik laadimistulukesed kuni aju jahtumiseni. Peale laadimistulukesete kustumist võite tööd jätkata. Aku tuleb laadimiseks ja taasaktiveerimiseks sisestada laadimisseadmesse.

HOOLDUS

Enne kõiki töid masina kallal võtke vahetatav aku välja.

Enne saeketta kinnitamist või eemaldamist veenduge, et sae toide on lahti ühendatud.

Kulunud lauakaitse tuleb asendada.

Puhastage seadet ja kaitseosa kuiva lapiga.

Hoidke masina õhutuspilud alati puhtad.

Kasutage ainult Milwaukee tarvikuid ja Milwaukee tagavaraosi. Detailid, mille väljavahetamist pole kirjeldatud, laske välja vahetada Milwaukee klientiteeninduspunktis (vaadake brošüüri garantii / klientiteeninduste aadressid).

Vajaduse korral võite tellida seadme läbilõikejoonise, näidates ära masina tüübi ja andmesildil oleva numbriga. Selleks pöörduge klientiteeninduspunkti või ots: Techtronic Industries GmbH, Max-Eyth-Straße 10, 71364 Winnenden, Germany.

SÜMBOLID



ETTEVAATUST! TÄHELEPANU! OHUD!



Enne kõiki töid masina kallal võtke vahetatav aku välja.



Palun lugege enne käiklaskmist kasutamisyhendust hoolikalt läbi.



Masina töötaades kandke alati kaitseprille.



Kandke kaitseks kõrvaklappe!



Kanda kaitsekindaid!



Mitte kunagi ei tohi panna käsi saeketta piirkonda.



Seadet ei tohi jätta vihma kätte.



See toode sisaldab 2. klassi tarbija lasertoodet vastavalt

EN 60825-1:2014+A11:2021 ja EN 50689:2021.

Ärge vaadake laserkiirde.



Ärge kõrvaldage patareide, elektri- ja elektroonikaseadmete jäätmest sorteerimata olmejäätmetena. Akude, elektri- ja elektroonikaseadmete jäätmest tuleb koguda eraldi. Akude, akumalaatorite ja valgusallikate jäätmest tuleb seadmetest eemaldada. Küsige oma kohalikust omavalitsusest või jaemüüjalt nõuandeid ringlussevõtu ja kogumispunkti kohta. Olenevalt kohalikest määrustest võib jaemüüjal lasuda kohustus võtta akude, elektri- ja elektroonikaseadmete jäätmest korduskasutusse ja ringlussevõtu aitab vähendada nõudlust toorainete järele. Akud, eriti liitiumakud ning elektri- ja elektroonikaseadmete jäätmest, sisaldavad väärtuslikke taaskasutatavaid materjale, mis võivad kahjustada keskkonda ja inimest tervist, kui neid ei kõrvaldata keskkonnasõbralikult viisil. Kustutage kõrvaldatavatest seadmetest isiklikud andmed, kui neid seal on.

V

Voltaaž



Alalisvool

n₀

Pöörlemiskiirus tühijooksul



Saelehe σ x puuri σ



Euroopa vastavusmärk



Ühendkuningriigi vastavusmärk



Ukraina vastavusmärk



Euraasia vastavusmärk

Технические данные Торцовочная пила	M18 SMS216
Серийный номер изделия	4745 85 04... ... 000001-999999
Число оборотов без нагрузки	2700 min ⁻¹
Вольтаж аккумулятора	18V ---
Диаметр диска пилы x диаметр отверстия	216 x 30 mm
Толщина пильного диска	1,5 mm
Ширина штробы макс. Скос 0°/ Наклон 0° Скос 45°/ Наклон 0° Скос 0°/ Наклон 45° Скос 45°/ Наклон 45°	60 x 270 mm 60 x 190 mm 48 x 270 mm 48 x 190 mm
Минимальные размеры обрабатываемой детали	130 x 35 x 2 mm
Температура окружающей среды, рекомендованная для эксплуатации	-5°C - +40°C
Рекомендованные аккумуляторные блоки	M18B..., M18HB...
Рекомендованные зарядные устройства	M12-18..., M1418 C6
Вес согласно процедуре EPTA 01/2014	14,5 kg
Лазерное излучение, используемое в настоящей пиле, относится к классу II при максимальной мощности P ≤ 1 мВт и длине волны λ: 620 ~ 660 nm.	
Информация по шумам Значения замерялись в соответствии со стандартом EN 62841. Уровень шума прибора, определенный по показателю A, обычно составляет:	
Уровень звукового давления (Небезопасность K=3dB(A)) Уровень звуковой мощности (Небезопасность K=3dB(A)) Пользуйтесь приспособлениями для защиты слуха.	91,8 dB (A) 105 dB (A)

ВНИМАНИЕ

Указанное в данном техпаспорте значение уровня шума измерено в соответствии с методикой испытаний согласно стандарту EN 62841 и может быть использовано для сравнения инструментов друг с другом. Оно также подходит для предварительной оценки нагрузки.

Указанное значение уровня шума отражает основные области применения инструмента. Однако если инструмент будет применяться для других целей или с другими принадлежностями, либо за ним не будет осуществляться достаточный уход, значение уровня шума может отличаться. Это может значительно повысить нагрузку на весь период работы.

Для более точной оценки шумовой нагрузки необходимо также учитывать время, в которое инструмент отключен либо работает, но фактически не используется. Это может значительно снизить нагрузку на весь период работы.

Примите дополнительные меры безопасности для защиты пользователя инструмента от воздействия шума, например: техобслуживание инструмента и принадлежностей, а также организация рабочих процессов. Используйте наушники! Воздействие шума может привести к потере слуха.

ВНИМАНИЕ Ознакомьтесь с правилами техники безопасности, техническими регламентами, изображениями и данными, прилагаемыми к устройству. При несоблюдении нижеследующих указаний возможно поражение электротоком, возникновение пожара и/или получение серьезных травм.

Сохраняйте эти инструкции и указания для будущего использования.

ИНСТРУКЦИЯ ПО БЕЗОПАСНОЙ ЭКСПЛУАТАЦИИ ТОРЦОВОЧНОЙ ПИЛЫ

- Торцовочные пилы предназначены для разрезания дерева или имитаций дерева и не должны использоваться с абразивными отрезными кругами для резки черного металла, например, стержневой арматуры, прутков, штырей и т.п.** Из-за абразивной пыли движущиеся части, такие как нижний защитный кожух, могут застревать. Искры, образующиеся во время абразивного отрезания, будут нагревать нижний защитный кожух, направляющую вставку и другие пластиковые детали.
- Для удержания заготовки на месте по возможности используйте зажимы. Если вы придерживаете заготовку рукой, постоянно следите за тем, чтобы рука находилась не ближе 100 мм от края полотна пилы. Не используйте эту пилу для резки предметов, размер которых слишком мал для того, чтобы надежно закрепить их зажимами или придерживать рукой.** Если ваша рука окажется слишком близко к лезвию пилы, то риск получения травмы от соприкосновения с лезвием будет выше.
- Заготовка должна быть закреплена неподвижно и удерживаться зажимами, либо держаться перпендикулярно направляющей и столу. Не «втапливайте» заготовку в лезвие и не отходите от**

шаблона резки. Незакрепленные или движущиеся заготовки могут с высокой скоростью отскочить и вызвать травму.

- С усилием проталкивайте пилу через заготовку, не тяните. Для выполнения разреза поднимите головку пилы и установите ее над заготовкой, ничего не разрезая. Затем включите двигатель, прижмите головку пилы книзу и с усилием проталкивайте ее через заготовку.** Если вы будете тянуть, а не проталкивать пилу через заготовку, то лезвие пилы может задраться вверх заготовки, а режущий блок на большой скорости полетит в оператора.
- Ни в коем случае не кладите руку на намеченную линию разреза — ни спереди, ни позади лезвия пилы.** Очень опасно поддерживать заготовку руками «крест-накрест», т.е. держать заготовку справа от лезвия пилы левой рукой и наоборот.
- Во время вращения лезвия не пытайтесь смахнуть опилки рукой или поместить руку в область за направляющей на расстоянии ближе, чем 100 мм от любого края лезвия пилы.** Вы можете не заметить, как рука окажется вблизи лезвия пилы, и получить серьезную травму.
- Перед тем как приступить к разрезанию, осмотрите заготовку. Если она искривлена или деформирована, прижмите ее внешней искривленной поверхностью к направляющей. Обязательно убедитесь в отсутствии зазора между заготовкой, направляющей и столом по линии разрезания.** Согнутые или деформированные заготовки могут перевернуться или сместиться, вызвав зажим лезвия пилы во время вращения. В заготовке не должно быть гвоздей или посторонних объектов.
- Не включайте пилу, не убрав со стола все инструменты, опилки и т.п. На столе не должно быть ничего, кроме заготовки.** Мелкий мусор, куски древесины и другие предметы, попавшие на лезвие пилы во время ее вращения, могут отлететь с высокой скоростью.
- Единоновременно можно обрабатывать только одну заготовку.** Несколько заготовок в одном штабеле невозможно надлежащим образом зажать или закрепить; они могут затруднить работу лезвия или сместиться во время процесса резки.
- Перед началом работы убедитесь, что торцовочная пила установлена или размещена на ровной, прочной рабочей поверхности.** Ровная и прочная рабочая поверхность снижает риск потери торцовочной пилой устойчивости.
- Спланируйте ход своей работы. При каждой смене угла наклона или скоса проверяйте правильность расположения регулируемой направляющей: она должна поддерживать заготовку и не мешать лезвию и системе защитных кожухов в соответствии со стандартом.** При выключенном инструменте и без заготовок на столе проверните лезвие по полному воображаемому кругу разреза, чтобы убедиться в отсутствии мешающих объектов и риска разреза направляющей.
- Если заготовка шире или длиннее, чем верхняя поверхность стола, установите удлинитель стола, пильные козлы и т.п. Без надлежащей поддержки**

заготовки длиннее или шире стола торцовочной пилы могут опрокинуться. В случае опрокидывания отрезанного бруска или заготовки нижний защитный кожух может задраться или упасть на вращающееся лезвие.

- Не используйте вместо удлинителя стола или дополнительной поверхности помощь другого человека.** Недостаточная поддержка заготовки может привести к сгибанию лезвия или смещению заготовки во время резки, вследствие чего вы и помогающий вам человек можете упасть на вращающееся лезвие.
- Не нужно каким бы то ни было образом прижимать или придавливать отрезаемый брусок к вращающемуся лезвию пилы.** Брусок, прижимаемый, например, упорными линейками, может застрять в лезвии и внезапно отскочить.
- Обязательно используйте зажим или крепеж, специально предназначенный для надлежащей поддержки материалов с круглым сечением, таких как прутки или трубы.** Прутки могут перекапываться во время резки, что заставит лезвие «захватывать» металл и затягивать его вместе с вашей рукой.
- Перед соприкосновением с заготовкой дождитесь, когда лезвие наберет полную скорость.** Это снизит риск разрыва заготовки.
- Если заготовка застряла в лезвии, выключите торцовую пилу. Дождитесь, пока все вращающиеся детали остановятся, и выньте вилку из розетки и/или выньте аккумулятор. Затем высвободите застрявший материал.** Если вы продолжите процесс разрезания с застрявшей заготовкой, то можете потерять контроль над работой пилы или повредить пилу.
- Закончив разрез, выключите пилу, направьте головку пилы вниз и дождитесь остановки лезвия, после чего удалите отрезанный брусок.** Нахождение руки вблизи вращающегося по инерции лезвия является опасным.
- Выполняя неполный разрез или выключая пилу до полного опускания ее головки, держите рукоятку крепко.** Срабатывание тормозной системы пилы может вызвать внезапное опускание ее головки, что чревато травмой.

Дополнительные указания по безопасности и работе

б) Применяйте средства индивидуальной защиты и всегда защитные очки. Использование средств индивидуальной защиты, как то, защитной маски. Обувь на нескользящей подошве, защитного шлема или средств защиты органов слуха в зависимости от вида работы электротрубоинструмента снижает риск получения травм.

Используйте наушники! Воздействие шума может привести к потере слуха.

Пыль, образующаяся при работе с данным инструментом, может быть вредна для здоровья и попасть на тело. Пользуйтесь системой пылеудаления и надевайте подходящую защитную маску. Тщательно убирайте скапливающуюся пыль (напр. пылесосом).

При пилении древесины используйте пилу в сочетании с пылесосом.

Прежде чем пользоваться инструментом, пожалуйста, прочтите инструкцию. Если возможно попросите продемонстрировать как работать с инструментом.

Удостоверьтесь в том, что машина всегда имеет надежное положение (например, закреплена на верстаке).

Удалите с пола остатки материала, например, опилки и стружку. Не используйте поврежденные или деформированные пыльные диски.

Не применяйте диски, несоответствующих параметрам, приведенным в настоящей инструкции по эксплуатации.

Используйте только тот инструмент, который соответствует требованиям EN 847-1.

Не применяйте какие-либо пыльные диски из быстрорежущей стали.

Выберите пригодное для разрезаемого материала пыльное полотно.

Допустимое число оборотов используемых принадлежностей должно быть как минимум таким же, как и максимальное число оборотов, указанное на электроинструменте. Комплютирующие, которые вращаются быстрее допустимой скорости, могут сломаться и отлететь.

Инструменты должны перевозиться и храниться в подходящем контейнере.

Применяйте только фланец для крепления пыльного диска, изображенный в инструкции по эксплуатации.

Никогда не используйте торцовую пилу для резания иного материала, чем указанного в инструкции по эксплуатации.

Используйте торцевую пилу только с надежно функционирующим защитным кожухом, надлежащим образом подвергаемым работам по техобслуживанию. Защитный кожух должен автоматически возвращаться в прежнее положение.

Не удалять остатки стружки или иные части заготовок из области распиловки, если машина работает, а планшайба круглой пилы не находится в нейтральном положении.

Никогда не касайтесь опасной режущей зоны в момент работы.

Всегда пользуйтесь защитной крышкой на инструменте.

В случае обнаружения дефектов в станке, включая защитное устройство или пыльные полотна, сообщите об этом немедленно ответственному лицу.

Не фиксируйте поворотное защитное ограждение.

Длинные заготовки соответственно подоприте.

Торцовую пилу транспортируйте только с фиксированным транспортным предохранителем на ручке.

При выполнении срезов под углом в сорок пять градусов, скосов кромки или сложных наклонных срезов отрегулируйте скользящий ограничитель, чтобы установить необходимый зазор до лезвия.

Посредством адаптации скорости подачи избегайте перегрева зубцов пыльного полотна, а при резке полимерных материалов - расплавления материалов.

Вставной инструмент имеет острые края и может нагреваться во время применения.

ПРЕДУПРЕЖДЕНИЕ! Опасность порезов и ожогов

-при обращении с вставными инструментами

- при укладывании прибора

При работе со вставными инструментами надевайте защитные перчатки.

Даже при надлежащем использовании изделия невозможно полностью исключить остаточные опасности. При использовании могут возникать указанные ниже риски, поэтому пользователь должен соблюдать следующие пункты:

- Чтобы предотвратить повреждения органов слуха, необходимо ограничить время экспозиции и использовать подходящие средства защиты.
- Для предотвращения риска для здоровья, который может возникнуть из-за вдыхания пыли, образующейся при распилке, необходимо использовать респиратор.

ЛАЗЕР

Не смотреть на лазерный лучи и не направлять на других людей.

Не рассматривать лазер с помощью оптических приборов (бинокль, телескоп).

Не направлять лазер на отражающие поверхности.

Не подвергаться лазерному излучению. Лазер может испускать опасное излучение.

Не меняйте встроенный лазер на лазер другого типа. Ремонт должен выполняться только авторизованными сервисными техниками.

ИСПОЛЬЗОВАНИЕ

Торцевые пилы используются для распиливания массивов дерева, проклеенной древесины, деревоподобных и синтетических материалов.

Распиловка заготовок с круглым или неправильным поперечным сечением (напр., дров) запрещена, так как при распиловке их нельзя надежно удерживать. При распиловке плоских заготовок по ребру для надежного направления следует использовать подходящий дополнительный упор.

ОСТАТОЧНЫЕ ОПАСНОСТИ

Даже при надлежащем использовании изделия невозможно полностью исключить остаточные опасности. При использовании могут возникать указанные ниже риски, поэтому пользователь должен соблюдать следующие пункты:

- Травмы вследствие вибрации. Держите прибор за предусмотренные для этого рукоятки и ограничивайте время работы и экспозиции.
- Шумовое воздействие может привести к повреждению слуха. Носите защитные наушники и ограничивайте продолжительность экспозиции.
- Травмы глаз, вызванные частицами загрязнений. Всегда надевайте защитные очки, плотные длинные брюки и прочную обувь.
- Вдыхание ядовитой пыли.

ДЕКЛАРАЦИЯ О СООТВЕТСТВИИ СТАНДАРТАМ ЕС

Мы несем исключительную ответственность за то, что изделие, описанное в разделе «Техническая информация» соответствует всем применимым положениям директив

2011/65/EU, (EU) 2015/863 (RoHS)

2006/42/EC

2014/30/EU

а также следующим согласованным стандартам был использован

EN 62841-1:2015+A11:2022

EN IEC 62841-3-9:2020+A11:2020

EN IEC 55014-1:2021

EN IEC 55014-2:2021

EN IEC 63000:2018



Winnenden, 2022-12-12

Alexander Krug / Managing Director

Уполномочен на составление технической документации.

Techtronic Industries GmbH

Max-Eyth-Straße 10, 71364 Winnenden, Germany

АККУМУЛЯТОР

Перед использованием аккумулятора, которым не пользовались некоторое время, его необходимо зарядить. Температура выше 50°C снижает работоспособность аккумуляторов. Избегайте продолжительного нагрева или прямого солнечного света (риск перегрева).

Контакты зарядного устройства и аккумуляторов должны содержаться в чистоте.

Для обеспечения оптимального срока службы аккумулятор необходимо полностью заряжать после использования прибора.

Для достижения максимально возможного срока службы аккумулятора после зарядки следует вынимать из зарядного устройства.

При хранении аккумулятора более 30 дней: Храните аккумуляторную батарею при температуре ниже 27°C, вдали от источников влажности. Храните аккумулятор с зарядом примерно 30% - 50%.

ТРАНСПОРТИРОВКА ЛИТИЙ-ИОННЫХ АККУМУЛЯТОРОВ

Транспортировка литий-ионных аккумуляторов

Транспортировка этих аккумуляторов должна осуществляться с соблюдением местных, национальных и международных предписаний и положений.

Эти аккумуляторы могут перевозиться по улице потребителем без дальнейших обязательств.

При коммерческой транспортировке литий-ионных аккумуляторов экспедиторскими компаниями действуют положения, касающиеся транспортировки опасных грузов. Подготовка к отправке и транспортировка должны производиться исключительно специально обученными лицами. Весь процесс должен находиться под контролем специалиста.

При транспортировке аккумуляторов необходимо соблюдать следующие пункты:

Убедитесь, что контакты защищены и изолированы во избежание короткого замыкания. Следите за тем, чтобы аккумуляторный блок не соскользнул внутри упаковки. Транспортировка поврежденных или протекающих аккумуляторов запрещена. За дополнительными указаниями обратитесь к своему экспедитору.

ЗАЩИТА АККУМУЛЯТОРА ОТ ПЕРЕГРУЗКИ

При перегрузке аккумулятора слишком сильным током, например, вследствие слишком большого крутящего усилия, заклинивания электроинструмента, внезапной остановки или короткого замыкания электроинструмент останавливается в течение 2 секунд и отключается самостоятельно. Для сброса просто извлеките аккумуляторную батарею из инструмента и установите ее обратно. При слишком высоких нагрузках аккумулятор перегревается. В этом случае загораются все лампы индикатора заряда аккумулятора. Когда аккумулятор остынет и лампы погаснут – можно продолжить. Чтобы снова зарядить и активировать аккумулятор, подключите его к зарядному устройству.

ОБСЛУЖИВАНИЕ

Выньте аккумулятор из машины перед проведением с ней каких-либо манипуляций.

Отключите инструмент от питающей сети перед установкой или снятием режущего полотна.

Заменяйте изношенные прокладки, укладываемые на стол.

Очищать прибор и защитное устройство с помощью сухой салфетки.

Всегда держите охлаждающие отверстия чистыми.

Пользуйтесь аксессуарами и запасными частями Milwaukee. В случае возникновения необходимости в замене, которая не была описана, обращайтесь в один из сервисных центров по обслуживанию электроинструментов Milwaukee (см. список сервисных организаций).

При необходимости может быть заказан чертеж инструмента с трехмерным изображением деталей. Пожалуйста, укажите номер и тип инструмента и закажите чертеж у Ваших местных агентов или непосредственно у Techtronic Industries GmbH, Max-Eyth-Straße 10, 71364 Winnenden, Germany.

СИМВОЛЫ



ВНИМАНИЕ! ПРЕДУПРЕЖДЕНИЕ! ОПАСНОСТИ!



Въннете акумулатор из машини перед проведенем с ней каких-либо манипуляций.



Пожалуйста, внимательно прочтите инструкцию по использованию перед началом любых операций с инструментом.



При работе с инструментом всегда надевайте защитные очки.



Пользуйтесь приспособлениями для защиты слуха.



Надевать защитные перчатки!



Никогда не протягивайте руки в область пыльного полотна.



Не подвергайте машину воздействию дождя.



Этот продукт содержит потребительский лазерный продукт класса 2 в соответствии с

EN 60825-1:2014+A11:2021 а также EN 50689:2021.
Не смотреть на лазерный луч.



Не выбрасывайте отработавшие батареи, электрическое и электронное оборудование вместе с неосортированными бытовыми отходами. Отработавшие батареи, а также электрическое и электронное оборудование должны быть утилизированы отдельно. Отработавшие батареи, аккумуляторы и источники света необходимо предварительно извлечь из оборудования. За дополнительной информацией по утилизации и сбору обратитесь в местные муниципальные органы или в розничный магазин. Нормативные требования в некоторых регионах могут обязывать розничные магазины бесплатно утилизировать отработавшее электрическое и электронное оборудование, а также отработавшие батареи. Повторное использование и переработка отработавших батарей, а также старого электронного и электрического оборудования позволяет снизить потребность в сырьевых ресурсах. Отработавшие батареи содержат среди прочего литий, а электронное и электрическое оборудование — ценные перерабатываемые материалы. Однако при ненадлежащей утилизации данные компоненты могут нанести вред окружающей среде и здоровью человека. Удалите конфиденциальную информацию с оборудования при ее наличии.

V Напряжение

--- Постоянный ток

n₀ Число оборотов без нагрузки



Диаметр диска пилы x диаметр отверстия



Европейский знак соответствия



Британский знак соответствия



Украинский знак соответствия



Евразийский знак соответствия

Технически данни	M18 SMS216
Циркуляр с циркулярни диска режещи под ъгъл "Mitresaw"	
Производствен номер	4745 85 04... ... 000001-999999
Обороти на празен ход	2700 min ⁻¹
Напрежение на акумулатора	18V ---
Ø на режещия диск x Ø на отвора	216 x 30 mm
Дебелина на режещия диск	1,5 mm
Ширина на рязане макс. Наклон хоризонтално 0° / Наклон вертикално 0° Наклон хоризонтално 45° / Наклон вертикално 0° Наклон хоризонтално 0° / Наклон вертикално 45° Наклон хоризонтално 45° / Наклон вертикално 45°	60 x 270 mm 60 x 190 mm 48 x 270 mm 48 x 190 mm
Мин. размери на заготовката	130 x 35 x 2 mm
Препоръчителна температура на околната среда при експлоатация	-5°C - +40°C
Препоръчителни акумулаторни батерии	M18B..., M18HB...
Препоръчителни зарядни устройства	M12-18..., M1418 C6
Тегло съгласно процедурата EPTA 01/2014	14,5 kg
Лазерното излъчване, използвано в този циркуляр, е от Клас II с макс. P ≤ 1 мв и дължина на вълната λ: 620 - 660 нм.	
Информация за шума Измерените стойности са получени съобразно EN 62841. Оцененото с А ниво на шума на уреда е съответно:	
Равнище на звуковото налягане (Несигурност K=3dB(A))	91,8 dB (A)
Равнище на мощността на звука (Несигурност K=3dB(A))	105 dB (A)
Да се носи предпазно средство за слуха!	

ВНИМАНИЕ

Посочената в тази информационна брошура стойност на шумовите емисии е измерена чрез метод на изпитване, стандартизиран в EN 62841, и може да се използва за сравнение на инструменти помежду им. Тя е подходяща и за предварителна оценка на натоварването.

Посочената стойност на шумовите емисии представлява основните приложения на инструмента. Ако обаче инструментът се използва за други приложения или с други принадлежности, или е недостатъчно поддържан технически, стойността на шумовите емисии може да се отклонява. Това може чувствително да увеличи натоварването по време на целия работен цикъл.

За точна оценка на шумовото натоварване трябва да се вземат предвид и времената, когато инструментът е изключен или работи, но всъщност не се използва. Това може чувствително да намали натоварването по време на целия работен цикъл.

Определете допълнителни мерки за защита на оператора от шумовото въздействие, като например: техническа поддръжка на инструмента и на принадлежностите и организация на работните процеси.

Носете средство за защита на слуха. Шумът може да доведе до загуба на слуха.



ВНИМАНИЕ Прочетете всички указания за безопасност, инструкции, изображения и техническите данни, които получавате с уреда. Ако не спазвате следните указания, това може да доведе до токов удар, пожар и/или тежки наранявания.

Запазете всички указания и инструкции за безопасност за бъдещето.



ИНСТРУКЦИИ ЗА БЕЗОПАСНОСТ НА ЦИРКУЛЯРНИ ТРИОНИ

a) **Циркулярните триони са предназначени за рязане на дърво или дървоподобни продукти; те не могат да бъдат използвани с абразивни дискове за рязане на цветни метали, като например щанги, профили, шпире и т.н.** Абразивният прах причинява блокиране на подвижни части като долния предпазител. Искрите от абразивно рязане ще изгорят долния предпазител, разрезната вложка и други пластмасови части.

b) **Използвайте клеми за закрепване на работната заготовка, когато е възможно. Ако я крепите на ръка, Ви е винаги трябва да държите ръката си най-малко на 100 мм от двете страни на режещия диск. Не използвайте този трион за рязане на парчета, които са твърде малки, за да бъдат сигурно заклемени или крепени на ръка.** Ако ръката Ви е твърде близо до режещия диск, съществува повишен риск от нараняване при контакт с острието.

c) **Обработваната заготовка трябва да бъде неподвижна и затегната или държана едновременно срещу предпазителя и работната маса. Не я подавайте към острието и не режете „на свободна ръка“ по никакъв начин.** Нефиксиран или подвижен заготовки могат да бъдат изхвърлени при високи скорости, причинявайки наранявания.

d) **Натиснете триона през заготовката. Не дърпайте триона през нея. За да направите разрез, повдигнете**

главата на триона и го издърпайте върху заготовката, без да режете, стартирайте мотора, натиснете главата на триона надолу и го натиснете през заготовката.

Рязането с дърпане е вероятно да предизвика покачането на режещия диск върху работната заготовка и да изхвърли силно режещата конструкция към оператора.

е) **Никога не прекарвайте ръката си над подготвената линия на рязане пред или зад режещия диск.** Държането на работната заготовка „със скръстени ръце“, т.е. държането на детайла вдясно от режещия диск с лявата ръка, или обратно, е много опасно.

ф) **Не пипайте зад предпазителя с която и да е ръка по-близо от 100 мм от двете страни на режещия диск, за да отстраните дървени отпадъци, или по някаква друга причина, докато острието се върти.** Близостта на въртящия се режещ диск до ръката Ви може да не е очевидна и Ви може да бъдете сериозно наранени.

г) **Проверете Вашата работна заготовка преди рязане. Ако тя е наклонена или деформирана, стегнете я с наклонено навън лице спрямо предпазителя. Винаги проверявайте дали няма пространство между заготовката, предпазителя и масата по линията на среза.** Огънати или деформирани заготовки могат да се извият или преместят и могат да причинят закачане за въртящото се острие по време на рязане. Не трябва да има пирони или чужди обекти в работната заготовка.

h) **Не използвайте циркулярния трион докато работната маса не е почистена от всички инструменти, дървени отпадъци и пр., с изключение на работната заготовка.** Малки отломки или хлабави парчета дърво, или други предмети, които са в контакт с режещия диск, могат да бъдат подхвърлени с висока скорост.

и) **Режете само една работна заготовка наведнъж.** Натрупани множество работни заготовки не могат да бъдат адекватно стегнати или закрепени и могат да се закачат за острието или преместят по време на рязане.

ж) **Уверете се, че циркулярният трион е монтиран или поставен върху равна, твърда работна повърхност преди употреба.** Равната и твърда работна повърхност намалява риска циркулярният трион да стане нестабилен.

к) **Планирайте работата си. Всеки път, когато промените наклон или настройката на ъгъла на скосяване от 45°, се уверете, че регулираният предпазител е настроен правилно да крепи заготовката и няма да попречи на стандартите с острието или системата за предпазване.** Без да включвате уреда и без заготовка на масата, придвижете циркулярния трион, симулирайки пълен дължинен разрез, за да се уверите, че няма да има смущения или опасност от срязване на предпазителя.

l) **Осигурете адекватна подкрепа като разширения за работната маса, поддържаща конструкция за триона и пр., за заготовка, която е по-широка или по-дълга от плота на масата.** Заготовки по-дълги или по-широки от масата на циркулярния трион може да се обърнат, ако не са сигурно закрепени. Ако отрязаното парче или заготовката се обърнат, те могат да повдигнат долния предпазител или да бъдат изхвърлени от въртящото се острие.

м) **Не ползвайте друго лице като заместител на разширение за маса или като допълнителна подкрепа.** Нестабилната подкрепа за заготовката може да причини блокиране на острието или разместване на заготовката по време на рязането, издърпвайки Вас или Вашия помощник към острието.

п) **Отрязаното парче не бива по никакъв начин да се напъва или притиска срещу въртящото се острие на циркуляра.** Ако е блокирано, напр. посредством ограничители, парчето за рязане може да се заклеци срещу острието и да бъде изхвърлено със сила.

о) **Винаги използвайте клема или приспособление за захващане, пригодно да поддържа правилно кръгли материали като щанги или тръби.** Щангите имат тенденция да се въртят при рязане, предизвиквайки „захапване“ на острието, и да издърпват обработваната заготовка заедно с ръката Ви към острието.

р) **Оставете режещият диск да достигне пълната си скорост преди контакта с работната заготовка.** Това ще намали риска от подхвърляне на работната заготовка.

q) **Ако заготовката или острието се блокират, изключете циркулярния трион. Изчакайте всички движещи се части да спрат и изключете щепсела от захранването и/или отстранете батерията. След това освободете блокирания материал.** Продължаване на рязането с блокирана заготовка може да предизвика загуба на контрол или да повреди циркуляра.

г) **След като завършите рязането, освободете бутона, дръжте циркуляра с главата надолу и изчакайте острието да спре, преди да извадите отрязаното парче.** Пипането с ръка, докато дискът се върти по инерция, е опасно.

с) **Дръжте здраво дръжката, докато правите непълен разрез или когато освобождавате бутона, преди главата на циркуляра изцяло да е обърната надолу.** Спирачното действие на циркуляра може да доведе до внезапно издърпване на главата надолу, което да предизвика риск от нараняване.

Допълнителни указания за работа и безопасност

б) Използвайте лични предпазни средства и винаги носете предпазни очила. Носенето на лични предпазни средства като дихателна маска, обезопасителни обувки със стабилен грайфер, защитна каска или средства за защита на слуха (антифони), намалява риска от травми.

Носете средство за защита на слуха. Шумът може да доведе до загуба на слуха.

При работа на открито или когато в машината могат да попаднат влага или прах, се препоръчва уредът да се свързва чрез защитен прекъсвач за утечен ток с максимално 30 mA ток на задействане.

При рязане на дърво свържете прахоуловител към триона. Препоръка: преди първото използване на уреда внимателно прочетете упътването за експлоатация и помолете да Ви инструктират как на практика се работи с уреда.

Уверете се, че машината винаги е стабилно разположена (например е закрепена за тегля).

Почиствайте пода от остатъци от материал - например стърготини и остатъци от рязането.

Не използвайте листовے на трион, които са повредени или деформирани.

Режещи дискове, които не отговарят на параметрите в настоящето упътване за експлоатация, не бива да се използват. Използвайте само инструменти, които отговарят на EN 847-1.

Да не се използват режещи дискове, изработени от бързорежеща стомана.

Изберете режещ диск, подходящ за материала, който ще се реже.

Допустимата честота на въртене на използващия се инструмент трябва да бъде поне толкова висока, колкото и посочената на уреда честота на въртене. Аксесоарите, които се въртят по-бързо от допустимото, могат да се счупят и да се разхвърчат.

Инструментите трябва да бъдат транспортирани и съхранявани в подходяща кутия;

За закрепване на режещия диск да се използват само фланците, които са приложени и показани в упътването за експлоатация.

Отрязната машина за заглаждане на чела да не се използва за рязане на материали, различни от тези, посочени в упътването за експлоатация.

Използвайте триона за дърво само със сигурно функциониращ и добре поддържан предпазен капак. Предпазният капак автоматично трябва да се връща в изходно положение.

Не отстранявайте остатъци от рязането или други части от материали, ако машината работи и режещата глава не се намира в състояние на покой.

Не бъркайте в зоната на опасност на работещата машина.

Предпазните устройства на машината да се използват задължително.

За дефекти на машината, включително на предпазителя или на режещите дискове, трябва да се съобщава на лицето, отговорно за безопасността, веднага след като бъдат открити.

Подвижният предпазител да не се затяга в отворено състояние. Дългите детайли да се подпират по подходящ начин.

Отрязната машина за заглаждане на чела да се транспортира само с фиксиран транспортен предпазител на ръкохватката. При извършване на ъглово, конусно или комбинирано рязане, регулирайте плъзгачия се предпазител, за да сте сигурни, че режещият диск е на правилното отстояние.

Посредством подходяща скорост на подаване избягвайте прегряването на зъбите на циркуляра и разтапянето на материали при рязане на пластмаса.

Приставката е остра и може да се нагорещи по време на работа.

ПРЕДУПРЕЖДЕНИЕ! Опасност от порязване и изгаряне

-при боравене с приставките

- при оставяне на уреда

При боравенето с приставките носете предпазни ръкавици.

Дори и при правилна употреба на продукта не всички остатъчни рискове могат да бъдат напълно избегнати. Следните рискове могат да възникнат при употребата, поради което работещият с уреда трябва да спазва следното:

- За да се избегнат увреждания на слуха, да се ограничи максимално времето на работа с уреда и да се носи подходяща защита на ушите.
- Да се носи защитна маска, за да се избегнат рисковете за здравето, които могат да възникнат от вдишването на

стърготини.

ЛАЗЕР

Не поглеждайте в лазерния лъч и не го насочвайте към други лица.

Не гледайте в лазер през оптични помощни средства (далекоглед, бинокъл).

Не насочвайте лазера към отражателни повърхности.

Не се подлагайте на лазерно облъчване. Лазерът може да излъчва много силно.

Не заменяйте вграден в електроинструмента лазер с лазер от друг модел. Ремонти да се извършват само от оторизирани сервизни техници.

ИЗПОЛЗВАНЕ ПО ПРЕДНАЗНАЧЕНИЕ

Трионът е подходящ за използване при рязане на масивен дървен материал, фурнир, подобни на дървен материал материали и пластмаса.

Материали с кръгъл или неравномерен разрез (например дърва за огрев) не трябва да бъдат рязани, тъй като при рязане не разполагат със стабилна опора. При вертикално рязане на плосък дървен материал следва да се използва подходящ помощен ограничител за сигурно направляване.

ОСТАТЪЧНИ РИСКОВЕ

Дори и при правилна употреба на продукта не всички остатъчни рискове могат да бъдат напълно избегнати. Следните рискове могат да възникнат при употребата, поради което работещият с уреда трябва да спазва следното:

- Наранявания, причинени от вибрации. Дръжте уреда за предвидените за целта ръкохватки и ограничавайте времето на работа и експозицията.
- Шумовото натоварване може да причини слухови увреждания. Носете защита за слуха и ограничете продължителността на експозицията.
- Наранявания на очите, причинени от замърсяващи частици. Винаги носете предпазни очила, здрави дълги панталони и стабилни обувки.
- Вдишване на отровни прахове.

СЕ - ДЕКЛАРАЦИЯ ЗА СЪОТВЕТСТВИЕ

Ние декларираме, изцяло на наша отговорност, че продуктът, описан в „Технически данни“, съответства на всички необходими изисквания на директивите

2011/65/EU, (EU) 2015/863 (RoHS)

2006/42/EC

2014/30/EU

и че са използвани следните хармонизирани стандарти за използване

EN 62841-1:2015+A11:2022

EN IEC 62841-3-9:2020+A11:2020

EN IEC 55014-1:2021

EN IEC 55014-2:2021

EN IEC 63000:2018



Alexander Krug

Alexander Krug / Managing Director

Упълномощен за съставяне на техническата документация

Technronic Industries GmbH

Max-Eyth-Straße 10, 71364 Winnenden, Germany

АКУМУЛАТОРИ

Акумулатори, които не са ползвани по-дълго време, преди употреба да се дозаредят. Температура над 50°C намалява мощността на акумулатора. Да се избягва по-продължително нагряване на слънце или от отопление.

Поддържайте чисти присъединителните контакти на зарядното устройство и на акумулатора.

За оптимална продължителност на живот след употреба батериите трябва да се заредят напълно.

За възможно по-дълга продължителност на живот батериите трябва да се изваждат от уреда след зареждане.

При съхранение на батериите за повече от 30 дни: Съхранявайте батерията на сухо място, при температура под 27°C. Съхранявайте батерията при 30 до 50 % от заряда.

ПРЕВОЗ НА ЛИТИЕВО-ЙОННИ БАТЕРИИ

Превоз на литиево-йонни батерии

Превозът на тези батерии трябва да се извършва в съответствие с местните, националните и международните разпоредби и регламенти.

Потребителите могат да превозват тези батерии по пътя без допълнителни изисквания.

Превозът на литиево-йонни батерии от транспортни компании е предмет на законовите разпоредбите за превоз на опасни товари. Подготовката на превоза и самият превоз трябва да се извършват само от обучени лица. Целият процес трябва да е под професионален надзор.

Спазвайте следните изисквания при превоз на батерии:

Уверете се, че контактите са защитени и изолирани, за да се избегне късо съединение. Уверете се, че няма опасност от разместване на батерията в опаковката. Не превозвайте повредени батерии или такива с течове. Обърнете се към Вашата транспортна компания за допълнителни инструкции.

ЗАЩИТА ОТ ПРЕТОВАРВАНЕ НА БАТЕРИЯТА

Електроинструментът спира за 2 секунди и се изключва автоматично при претоварване на батерията чрез много висока консумация на енергия, причинена например от изключително висок въртящ момент, заклиняване на работния инструмент, внезапно спиране или късо съединение. За да нулирате защитата, извадете батерията от инструмента и после я поставете обратно. При екстремни натоварвания батерията се нагрява значително. В този случай всички светлини на индикатора за зареждане мигат дотогава, докато батерията се охлади. След изгасване на индикатора за зареждане можете да продължите работата с уреда. Тогава акумулаторът да се включи към зарядното устройство, за да се дозареди и активира.

ПОДДРЪЖКА

Преди започване на каквито и да е работи по машината извадете акумулатора.

Уверете се, че инструментът е с прекъснато електрическо захранване, преди да поставяте или сваляте режещия диск.

Сменете износената подложка за маса.

Почиствайте уреда и предпазното съоръжение със суха кърпа.

Вентилационните шлицы на машината да се поддържат винаги чисти.

Да се използват само аксесоари на Milwaukee и резервни части на Milwaukee. Елементи, чията подмяна не е описана, да се дадат за подмяна в сервиз на Milwaukee (вижте брошурата "Гаранция и адреси на сервизи").

При необходимост можете да поискате за уреда от Вашия сервиз или директно от Technronic Industries GmbH, Max-Eyth-Straße 10, 71364 Winnenden, Germany, чертеж за в случай на експлозия, като посочите типа на машината и номер върху заводската табелка.

СИМВОЛИ



ВНИМАНИЕ! ПРЕДУПРЕЖДЕНИЕ! ОПАСНОСТ



Преди започване на каквито и да е работи по машината извадете акумулатора.



Преди пускане на уреда в действие моля прочетете внимателно инструкцията за използване.



При работа с машината винаги носете предпазни очила.



Да се носи предпазно средство за слуха!



Да се носят предпазни ръкавици!



Внимавайте ръцете Ви да не попаднат в обсега на листа на триона.



Не излагайте машината на дъжд.



Този продукт съдържа потребителски лазерен продукт от клас 2 според

EN 60825-1:2014+A11:2021 и EN 50689:2021.

Не гледайте към лазерния лъч.



Отпадъците от батерии, отпадъците от електрическо и електронно оборудване не трябва да се изхвърлят заедно с битовите отпадъци. Отпадъците от батерии, отпадъците от електрическо и електронно оборудване трябва да се събират и изхвърлят отделно. Преди изхвърлянето отстранявайте от уредите отпадъците от батерии, отпадъците от акумулатори и лампите. Информирайте се от местните служби или от своя специализиран търговец относно фирмите за рециклиране и местата за събиране на отпадъци. В зависимост от местните разпоредби, търговците на дребно могат да задължени да приемат безплатно върнатите обратно отпадъци от батерии и от електрическо и електронно оборудване. Дайте своя принос за намаляването на нуждите от суровини чрез повторната употреба и рециклирането на Вашите отпадъци от батерии и отпадъци от електрическо и електронно оборудване. Отпадъците от батерии (най-вече литиево-йонните батерии) и отпадъците от електрическо и електронно оборудване съдържат ценни рециклиращи се материали, които могат да повлияят отрицателно на околната среда и на Вашето здраве, ако не се изхвърлят по екологосъобразен начин. Преди изхвърлянето като отпадък изтрийте от Вашия употребяван уред евентуално наличните в него лични данни.



Напрежение



Постоянен ток



Обороти на празен ход



Ø на режещия диск x Ø на отвора



Европейски знак за съответствие

Британски знак за съответствие

Украински знак за съответствие

Евро-азиатски знак за съответствие

Date tehnice Ferăstrău de tăiat corniere / Ferăstrău pentru tăiere oblică	M18 SMS216
Număr producție	4745 85 04... ... 000001-999999
Viteza de mers în gol	2700 min ⁻¹
Tensiune acumulator	18V ---
Diametru lamă x diametru orificiu	216 x 30 mm
Grosimea pânzei de ferăstrău	1,5 mm
Lațime de tăiere max. Unghi 0° / Înclinare 0° Unghi 45° / Înclinare 0° Unghi 0° / Înclinare 45° Unghi 45° / Înclinare 45°	60 x 270 mm 60 x 190 mm 48 x 270 mm 48 x 190 mm
Dimensiunile minimă ale piesei de prelucrat	130 x 35 x 2 mm
Temperatură ambientală recomandată pentru funcționare	-5°C - +40°C
Seturi de baterii recomandate	M18B..., M18HB...
Încărcător de baterii recomandat	M12-18..., M1418 C6
Greutatea conform „EPTA procedură 01/2014”	14,5 kg
Radiația laser utilizată la acest tip de ferăstrău este Clasa II cu o valoare maximă P ≤ 1mW și lungimi de undă λ: 620 – 660 nm.	
Informație privind zgomotul Valori măsurate determinate conform EN 62841. Nivelul de zgomot evaluat cu A al aparatului este tipic de:	
Nivelul presiunii sonore (Nesiguranță K=3dB(A)) Nivelul sunetului (Nesiguranță K=3dB(A))	91,8 dB (A) 105 dB (A)
Purtați căști de protecție	

AVERTISMENT

Valoarea emisiilor sonore indicată în această fișă tehnică a fost măsurată conform unei proceduri de testare normale în EN 62841 și poate fi utilizată pentru compararea sculelor. Aceasta este adecvată și pentru o evaluare preliminară a solicitării.

Valoarea indicată a emisiilor sonore este dată pentru aplicațiile principale ale sculei. Aceasta poate să difere în cazul în care scula este utilizată pentru alte aplicații, cu accesorii diferite sau dacă este întreținută insuficient. Aceste situații pot determina creșterea semnificativă a solicitării pe parcursul timpului de lucru. Pentru o evaluare exactă a solicitării din cauza zgomotului trebuie luate în considerare inclusiv intervalele de timp în care scula este oprită, sau dacă este în funcțiune, însă nu este utilizată în mod efectiv. Aceste situații pot să reducă în mod considerabil solicitarea pe parcursul timpului de lucru.

Stabiliți măsuri de siguranță suplimentare pentru protejarea operatorului față de zgomotul produs, de ex.: întreținerea sculei și a accesoriilor și organizarea proceselor de lucru. Purtați aparatoare de urechi. Expunerea la zgomot poate duce la pierderea auzului.

AVERTISMENT Citiți toate instrucțiunile de securitate, recomandările, reprezentările grafice și datele pe care le primiți livrate împreună cu aparatul. În cazul în care nu veți respecta următoarele instrucțiuni, se poate ajunge la electrocutare, incendii și/sau răniri grave.

Păstrați toate indicațiile de avertizare și instrucțiunile în vederea utilizărilor viitoare.

INSTRUCȚIUNI DE SIGURANȚĂ PENTRU FERĂSTRAIE CIRCULARE STAȚIONARĂ

a) **Ferăstraiele circulare staționare sunt destinate tăierii în lemn sau produse din lemn. Acestea nu pot fi folosite cu discuri de tăiere abrazive pentru tăierea materialelor ferose, cum ar fi bare, tije, știfturi, etc.** Praful abraziv provoacă blocarea pieselor în mișcare, cum ar fi apărătoarea inferioară. Scânteele generate de tăierea cu disc abraziv vor arde apărătoarea inferioară, inserția kerf sau alte părți ale produsului, realizate din material plastic.

b) **Utilizați dreme pentru a sprijini piesa de lucru ori de câte ori este posibil. În cazul în care susținerea piesei de lucru se face manual, trebuie să vă păstrați întotdeauna mâna la cel puțin 100 de mm de fiecare latură a lamei de ferăstrău. Nu utilizați acest ferăstrău pentru a tăia bucăți care sunt prea mici pentru a fi prinse sau ținute de mână în condiții de siguranță.** În cazul în care mâna este amplasată prea aproape de lama de ferăstrău, există un risc crescut de rănire prin contactul cu lama.

c) **Piesa de lucru trebuie să fie staționară și fixată sau ținută bine față de apărătoare sau de masa de lucru. Nu alimentați piesa de lucru înspre lama de tăiat și nu tăiați în nici un caz „cu mâna liberă”.** Pieselor de lucru nefixate sau în aflate mișcare pot fi aruncate la viteze mari, cauzând prejudicii.

d) **Împingeți lama de ferăstrău prin piesa de lucru. Nu trageți prin piesa de lucru. Pentru a face o tăietură, ridicăți capul de ferăstrău și trageți-l peste piesa de lucru, fără tăiere, porniți motorul, apăsați capul în jos și împingeți lama ferăstrăului prin piesa de lucru.** Tăierea prin tragere este de natură să provoace urcarea lamei de ferăstrău pe partea de sus a piesei de lucru și aruncarea violentă a ansamblului de lame spre operator.

e) **Nu treceți niciodată cu mâna peste linia de tăiere preconizată, fie în fața sau în spatele lamei de ferăstrău.** Sprijinirea piesei de prelucrat cu mâna „în cruce”, adică prinderea piesei de lucru de la dreapta lamei de ferăstrău cu mâna stângă, sau invers, este foarte periculoasă.

f) **Nu încercați să ajungeți în spatele apărătoarei, cu oricare din mâini, la mai puțin de 100 mm de fiecare laterală a lamei de ferăstrău, cu scopul, de exemplu, de a îndepărta resturile de lemn, sau pentru orice alt scop, în timp ce lama se rotește.** Aproximarea mâinii de lama de ferăstrău aflată în mișcare poate să nu fie evidentă și aceasta poate avea ca urmare o rănire gravă.

g) **Controlați piesa de lucru înainte de tăiere. În cazul în care piesa de lucru este înclinată sau deformată, prindeți-o cu fața exterioară înclinată spre apărătoare. Asigurați-vă întotdeauna că nu există niciun joc liber și nici o diferență de spațiu între piesa de lucru, apărătoare și masa de lucru, de-a lungul liniei de tăiere.** Piese de lemn deformat sau deformat se pot răscuci sau răsturna și aceasta poate cauza îndoirea sau rotirea lamei de ferăstrău în timpul tăierii. Nu trebuie să existe cuie sau obiecte străine în piesa de lucru.

h) **Nu folosiți ferăstrăul până când masa nu este eliberată de toate instrumentele, resturile de lemn, etc., cu excepția piesei de lucru.** Bucățile mici de moloz sau părți libere din bucățile de lemn sau alte obiecte care intră în contact cu lama rotativă pot fi aruncate cu viteză mare.

i) **Tăiați doar o singură piesă de lucru la un moment dat.** Piese de lucru multiple stivuite nu pot fi prinse adecvat sau fixate adecvat cu legături. Ele pot îndoii lama sau cauza deplasarea sa în timpul tăierii.

j) **Asigurați-vă că ferăstrăul circular staționar este montat sau plasat pe o suprafață de lucru plană și fermă înainte de utilizare.** O suprafață de lucru plană și fermă reduce riscul ca ferăstrăul circular staționar să devină instabil.

k) **Planificați-vă bine munca. De fiecare dată când schimbați a unghiului de tăiere conic sau oblic, asigurați-vă că apărătoarea reglabilă este setată corect pentru a sprijini piesa de lucru și nu va interfera cu lama sau sistemul de protecție.** Fără a porni unealta apăsând pe „ON” și fără a introduce vreo piesă de lucru pe masa de lucru, deplasați lama de ferăstrău printr-o tăietură simulat complet pentru a vă asigura că nu va exista nici o interferență și niciun pericol de tăierea a apărătoarei.

l) **Asigurați-vă că oferiți un sprijin adecvat: cum ar fi extensii de masă, extensii de ferăstrău etc. atunci când lucrați cu o piesă de lucru care este de dimensiuni mai mari în lățime sau lungime decât blatul mesei.** Piese de lucru mai lungi sau mai late decât masa lucru a ferăstrăului circular pot înclina masa, în cazul în care nu sunt prinse în condiții de siguranță. În cazul în care

piesa de tăiat sau piesa de lucru se răstoarnă, apărătoarea inferioară se poate ridica sau poate să fie aruncată de lama aflată în mișcare.

m) **Nu folosiți o altă persoană ca substitut pentru o extensie de masă sau de suport suplimentar.** Un sprijin instabil pentru piesa de lucru poate provoca îndoirea lamei sau deplasarea sa neadecvată în timpul tăierii, trăgându-vă pe dvs. și pe persoana care vă asistă înspre lama aflată în mișcare.

n) **Piesa tăiată nu trebuie, sub nicio formă, să fie prinsă în sau apăsată pe lama de ferăstrău aflată în mișcare.** Dacă sunteți limitat, adică folosiți opritor de lungime, piesa de tăiat ar putea să opună rezistență împotriva lamei și să o arunce violent.

o) **Folosiți întotdeauna o clemă sau un dispozitiv conceput pentru a prinde în mod adecvat un material rotund: cum ar fi tije sau tuburi.** Tijele au tendința să se rostogolească în timp ce se taie, făcând ca lama să „muște” și să vă tragă mâna și piesa de lucru înspre lama.

p) **Lăsați lama să ajungă la viteza maximă înainte de a face contact cu piesa de lucru.** Acest lucru va reduce riscul de aruncare a piesei de lucru.

q) **În cazul în care piesa de lucru sau lama se blochează, deconectați ferăstrăul circular. Așteptați ca toate piesele mobile să se oprească și deconectați ștecărul de la sursa de alimentare și/sau scoateți acumulatorul. Apoi eliberați materialul blocat.** Dacă continuați tăierea cu o piesă de lucru blocată aceasta ar putea cauza pierderea controlului sau deteriorarea ferăstrăului de tăiere.

r) **După terminarea tăierii, eliberați comutatorul, țineți capul ferăstrăului în jos și așteptați ca lama ferăstrăului să se oprească înainte de a scoate bucata de lemn tăiată.** Este periculos să ajungeți cu mâna în apropierea lamei.

s) **Țineți mânerul ferm atunci când efectuați o tăiere incompletă sau la eliberarea comutatorului înainte de poziționarea capului de ferăstrău complet în jos.** Acțiunea de frânare a ferăstrăului poate determina tragerea bruscă a capului de ferăstrău în jos, cauzând un risc de accidentare.

Instrucțiuni suplimentare de siguranță și de lucru

Purtați echipament personal de protecție și întotdeauna ochelari de protecție. Purtarea echipamentului personal de protecție, ca masa pentru praf, încălțăminte de siguranță antiderapantă, casca de protecție sau protecția auditivă, în funcție de tipul și utilizarea sculei electrice, diminuează riscul rănilor.

Purtați aparatoare de urechi. Expunerea la zgomot poate duce la pierderea auzului.

Praful care apare când se lucrează cu această sculă poate fi dăunător sănătății și prin urmare nu trebuie să atingă corpul. Utilizați un sistem de absorbție a prafului și purtați o mască de protecție împotriva prafului. Îndepărtați cu grijă praful depozitat, de ex. cu un aspirator.

Conectați ferăstrăul la un aspirator de praf atunci când tăiați lemn. Înainte de utilizarea sculei, vă rugăm citiți instrucțiunile. Se prezintă scula, dacă este posibil.

Aveți în vedere ca mașina să aibe mereu o poziție sigură (de ex. fixați-o la bancul de montaj).

Păstrați podeaua liberă de resturi de material, de ex. aşchii și resturi de la tăiatul lemnului.

Nu folosiți pânze de circular deteriorate ori deformate.

Nu utilizați lamele care nu corespund datelor oferite în prezentele instrucțiuni de utilizare.

Pot fi utilizate numai scule care corespund EN 847-1.

Nu folosiți pânze de ferăstrău din oțel rapid

Folosiți pânza de ferăstrău potrivită pentru materialul care urmează a fi tăiat.

Numărul de rotații admis pentru elementele de montat în aparat, trebuie să fie la fel de mare ca numărul de rotații înscris pe acesta. O rotire mai rapidă decât cea admisă le poate sparge sau azvirlă din aparat.

Sculele trebuie transportate și depozitate în recipiente corespunzătoare;

Folosiți pentru fixarea pânzei de ferăstrău numai flanșele furnizate cu mașina și reprezentate în imaginea din instrucțiunile de utilizare.

Nu folosiți ferăstrăul de spintecat niciodată pentru tăierea altor materiale decât cele indicate în instrucțiunile de utilizare.

Ferăstrăul de retezat va fi folosit doar cu învelitoare de protecție bine întreținută și a cărei funcțiune este sigură. Învelitoarea de protecție trebuie să se poată rabata înapoi în mod automat.

Nu îndepărtați resturi de tăiere sau alte părți de piesă din zona de tăiere atâta timp cât mașina se află în mișcare, iar capul ferăstrăului nu a ajuns în poziția de repaus.

Nu intrați niciodată în zona de pericol a plăcii când este în mișcare.

Întotdeauna utilizați ecranele de protecție ale mașinii.

Eventualele deranjamente ale mașinii, inclusiv cele la instalația de protecție respectiv la pânzele de ferăstrău, trebuie comunicate fără întârziere persoanei responsabile pentru siguranță.

Nu fixați apăratorela rabatabilă.

Pieseale lungi se vor sprijini în mod corespunzător.

Transportați ferăstrăul de spintecat numai cu siguranța de transport de la mânerul de transport blocată.

În momentul realizării unor tăieturi oblice, conice sau combinate, ajustați fața glisantă pentru a asigura distanța corectă a cuțitului.

Prin utilizarea unei viteze de avans adecvate evitați supraîncălzirea dinților pânzei de ferăstrău iar la tăierea materialului plastic, evitați topirea acestuia.

Unealta inserată este foarte ascuțită și se poate încălzi în timpul utilizării.

AVERTIZARE! Pericol de tăieturi și arsuri

-la manevrarea uneltelor inserate

-la depunerea aparatului

La manevrarea uneltelor inserate purtați mănuși de protecție.

Chiar și când produsul este utilizat corect, riscurile reziduale nu pot fi complet excluse. Următoarele riscuri pot apărea în timpul utilizării, de aceea utilizatorul trebuie să țină cont de următoarele:

- Pentru a evita deficiențele auditive trebuie limitat timpul de expunere și trebuie purtată o protecție auditivă adecvată.
- Pentru a evita riscurile pentru sănătate care pot apărea din cauza inhalării de praf provenit din prelucrare se va purta o mască pentru protecția respirației.

LASER

Nu priviți în fasciculul laser și nu-l îndreptați asupra altor persoane.

Nu priviți în fasciculul laser cu instrumente optice (binoclu, lunetă).

Nu îndreptați laserul asupra unor suprafețe reflectorizante.

Evitați expunerea la radiația laserului. Laserul poate emite o radiație

intensă.

Nu înlocuiți laserul încorporat cu un laser de alt tip. Reparațiile trebuie efectuate doar de tehnicienii autorizați care se ocupă de service.

CONDIȚII DE UTILIZARE SPECIFICE

Ferăstrăul de retezat se pretează pentru a rețea lemn masiv, lemn înclăiat, materiale de lucru asemănătoare lemnului și materiale plastice.

Nu este permis ca piesele cu secțiune circulară sau neregulată (de ex. lemne de foc) să fie tăiate la ferăstrău, întrucât în timpul tăierii ele nu sunt fixate în condiții de siguranță. La tăierea pieselor plane în poziție verticală trebuie utilizat un opritor auxiliar adecvat în vederea asigurării unei ghidări sigure.

RISCURI REZIDUALE

Chiar și când produsul este utilizat corect, riscurile reziduale nu pot fi complet excluse. Următoarele riscuri pot apărea în timpul utilizării, de aceea utilizatorul trebuie să țină cont de următoarele:

- Accidentări provocate de vibrații. Țineți aparatul de mănerele prevăzute în acest scop și reduceți timpul de lucru și de expunere.
- Poluarea fonică poate duce la vătămarea auzului. Purtați căști antifonice și reduceți durata expunerii.
- Afecțiuni oculare cauzate de particulele de impurități. Purtați întotdeauna ochelari de protecție, pantaloni lungi rezistenți și încălțăminte solidă.
- Inhalare de pullberi toxice.

DECLARAȚIE DE CONFORMITATE

Declarăm pe propria răspundere că produsul descris în capitolul „Date tehnice” îndeplinește toate cerințele relevante ale directivelor

2011/65/EU, (EU) 2015/863 (RoHS)

2006/42/EC

2014/30/EU

și au fost utilizate următoarele standarde armonizate a fost folosit

EN 62841-1:2015+A11:2022

EN IEC 62841-3-9:2020+A11:2020

EN IEC 55014-1:2021

EN IEC 55014-2:2021

EN IEC 63000:2018



Winnenden, 2022-12-12

Alexander Krug / Managing Director
Împuternicit să elaboreze documentația tehnică.

Techtronic Industries GmbH

Max-Eyth-Straße 10, 71364 Winnenden, Germany

ACUMULATORI

Acumulatorii care nu au fost utilizați o perioadă de timp trebuie reincărcați înainte de utilizare. Temperatura mai mare de 50°C (122°F) reduce performanța acumulatorului. Evitați expunerea prelungită la căldură sau radiație solară (risc de supraîncălzire)

Contactele încărcătoarelor și acumulatorilor trebuie păstrate curate.

În scopul optimizării duratei de funcționare, bateriile trebuie reincărcate

complet după utilizare.

Pentru o durată de viață cât mai lungă, acumulatorii ar trebui scoși din încărcător după încărcare.

La depozitarea acumulatorilor mai mult de 30 zile: Depozitați blocul de baterii la temperaturi sub 27 °C și în condiții lipsite de umiditate. Acumulatorii se depozitează la nivelul de încărcare de cca. 30%-50%.

TRANSPORTUL ACUMULATORILOR CU IONI DE LITIU

Transportul acumulatorilor cu ioni de litiu

Transportul acestor acumulatori trebuie să se efectueze cu respectarea prescripțiilor și reglementărilor pe plan local, național și internațional.

Consumatorilor le este permis transportul rutier nerestricționat al acestui tip de acumulatori.

Transportul comercial al acumulatorilor cu ioni de litiu prin intermediul firmelor de expediție și transport este supus reglementărilor transportului de mărfuri periculoase. Pregătirile pentru expediție și transportul au voie să fie efectuate numai de către personal instruit corespunzător. Întregul proces trebuie asistat în mod competent.

Următoarele puncte trebuie avute în vedere la transportul acumulatorilor:

Pentru a se evita scurtcircuitate, asigurați-vă de faptul că sunt protejate și izolate contactele. Aveți grijă ca pachetul de acumulatori să nu poată aluneca în altă poziție în interiorul ambalajului său. Este interzis transportarea unor acumulatori deteriorați sau care pierd lichid. Pentru indicații suplimentare adresați-vă firmei de expediție și transport cu care colaborați.

PROTECȚIE SUPRAÎNCĂRCARE ACUMULATOR

În caz de suprasarcină a acumulatorului prin consum foarte mare de curent, de ex. ca urmare a unor momente de rotație extreme, înțepinirea sculei inserate, stop bruscat sau scurtcircuit, scula electrică se oprește pentru 2 secunde și se deconectează de la sursă. Pentru resetare, scoateți blocul bateriei din dispozitiv și apoi introduceți-l la loc. În cazul unor sarcini extreme, acumulatorul se încinge prea tare. În acest caz toate lămpile indicației stării de încărcare palpaie până când acumulatorul s-a răcit. După ce indicația stării de încărcare s-a stins se poate lucra mai departe. Pentru a-l reincărca și activa, puneți acumulatorul în în aparatul de încărcare.

ÎNȚEȚINERE

Îndepărtați acumulatorul înainte de începerea lucrului pe mașina.

Asigurați-vă că deconectați unealta de la sursa de alimentare înainte de atașarea sau înlăturarea lamei ferăstrăului.

Înlocuiți inserția uzată a mesei.

Curățați aparatul și dispozitivul de protecție cu o lavetă uscată.

Fantele de aerisire ale mașinii trebuie să fie menținute libere tot timpul. Utilizați numai accesorii și piese de schimb Milwaukee. Dacă unele din componente care nu au fost descrise trebuie înlocuite, vă rugăm contactați unul din agenții de service Milwaukee (vezi lista noastră pentru service / garanții)

Dacă este necesară, se poate comanda o imagine descompusă a sculei. Vă rugăm menționați numărul art. Precum și tipul mașinii tipărit pe etichetă și comandați desenul la agenții de service locali sau direct la Techtronic Industries GmbH, Max-Eyth-Straße 10, 71364 Winnenden, Germany.

SIMBOLURI



PERICOL! AVERTIZARE! ATENȚIE!



Îndepărtați acumulatorul înainte de începerea lucrului pe mașina



Vă rugăm citiți cu atenție instrucțiunile înainte de pornirea mașinii



Purtați întotdeauna ochelari de protecție când utilizați mașina.



Purtați căști de protecție



Purtați mănuși de protecție!



Nu introduceți niciodată mâinile în perimetrul pânzei de circular.



Nu lăsați mașina în ploaie.



Acest produs conține un produs laser de consum de clasa 2 conform

EN 60825-1:2014+A11:2021 și EN 50689:2021.

Nu priviți în fasciculul de laser.



Deșeurile de baterii, deșeurile de echipamente electrice și electronice nu se elimină ca deșeurile municipale nesortate. Deșeurile de baterii și deșeurile de echipamente electrice și electronice trebuie colectate separat. Deșeurile de baterii, deșeurile de acumulatori și materialele de iluminat trebuie îndepărtate din echipament. Informații-vă de la autoritățile locale sau de la comercianții acreditați în legătură cu centrele de reciclare și de colectare. În conformitate cu reglementările locale retailerii pot fi obligați să colecteze gratuit bateriile uzate și deșeurile de echipamente electrice și electronice. Contribuția dumneavoastră la reutilizarea și reciclarea deșeurilor de baterii și a deșeurilor de echipamente electrice și electronice contribuie la reducerea cererii de materii prime. Deșeurile de baterii și deșeurile de echipamente electrice și electronice conțin materiale reciclabile valoroase, care pot avea un impact negativ asupra mediului și sănătății umane, în cazul în care nu sunt eliminate în mod ecologic. În cazul în care pe echipamente au fost înregistrate date cu caracter personal, acestea trebuie șterse înainte de eliminarea echipamentelor ca deșeurii.

V Tensiune

== Curent continuu

n₀ Viteza de mers în gol



Diametru lamă x diametru orificiu



Marcă de conformitate europeană



Marcă de conformitate britanică



Marcă de conformitate ucraineană



Marcă de conformitate eurasiatică

Технички податоци Пила за отсекување, влечење и аголна пила	M18 SMS216
Произведен број	4745 85 04... ... 000001-999999
Брзина без оптоварување	2700 min ⁻¹
Волтажа на батеријата	18V ---
Сечило на пила дијаметар x дијаметар на отвор	216 x 30 mm
Густина на заците на сечилото на пилата	1,5 mm
Ширина на сечење макс. агол на навалување 0°/ агол на навалување вертикално 0° агол на навалување 45°/ агол на навалување вертикално 0° агол на навалување 0°/ агол на навалување вертикално 45° агол на навалување 45°/ агол на навалување вертикално 45°	60 x 270 mm 60 x 190 mm 48 x 270 mm 48 x 190 mm
Мин. Димензии на работно парче	130 x 35 x 2 mm
Препорачана температура на околината за работа	-5°C - +40°C
Препорачани комплекти акумулаторски батерии	M18B..., M18HB...
Препорачани полначи	M12-18..., M1418 C6
Тежина според ЕПТА-процедурата 01/2014	14,5 kg
Ласерското зрачење кое се користи во оваа пила е од Класа II со максимум P ≤ 1mW и λ: 620 ~ 660 nm бранова должина.	
Информации за бучавата Измерените вредности се одредени согласно стандардот EN 62841. А-оценетото ниво на бучава на апаратот типично изнесува: Ниво на звучен притисок. (Несигурност K=3dB(A)) Ниво на јачина на звук. (Несигурност K=3dB(A)) Носте штитник за уши.	91,8 dB (A) 105 dB (A)

ПРЕДУПРЕДУВАЊЕ

Вредноста на емисија на бучава дадена во овој проспект е измерена според методот на тестирање стандардизиран во EN 62841 и може да се користи за споредување алтки една со друга. Исто така вредноста е соодветна за прелиминарна проценка на оптоварувањето со бучава.
Наведената вредност за емисија на бучава се однесува на главните употреби на алатката. Меѓутоа, ако алатката се користи за други намени или со поинакви податоци или слабо се одржува, вредноста на емисијата на бучава може да отстапува. Ова може значително да го зголеми оптоварувањето со бучава во текот на целиот работен период.
За точна проценка на оптоварувањето со бучава треба да се земат предвид и периодите кога алатката е исклучена, или работи, но всушност не се употребува. Ова може значително да го намали оптоварувањето во текот на целиот работен период.
Дефинирајте дополнителни безбедносни мерки за заштита на операторот од ефектите од бучавата, како што се: одржување на алатката и додаточите и организирање на работните процеси. Носете штитник за уши. Влијанието на бука може да предизвика губење на сетилото за слух.

▲ ПРЕДУПРЕДУВАЊЕ Прочитајте ги сите безбедносни напомени, упатства, цртежи и податоци, коишто ги добивате заедно со уредот. Доколку не ги почитувате следните упатства, може да дојде до електричен удар, до пожар и/или до тешки повреди.
Сочувајте ги сите безбедносни упатства и инструкции за во иднина.

▲ БЕЗБЕДНОСИ УПАТСТВА ЗА ПИЛА ЗА СЕЧЕЊЕ ПОД АГОЛ

- Пилите за сечење под агол се наменети за сечење дрво или слични производи, не може да се употребуваат со абразивни дискови за сечење на црни метали, како на пр. шипки, палки, шајки и др.** Абразивниот прав предизвикува блокирање на подвижните делови, на пр. на долниот штитник. Искрите од абразивно сечење го горат долниот штитник, засекот и пластичните делови.
- Користете стегачи за држење на парчето за обработка секогаш кога можете. Ако го потпираете парчето за обработка со рака, раката постојано мора да биде на оддалеченост од најмалку 100 мм од обете страни на сечилото од пилата. Не ја користете оваа пила за сечење на многу мали парчиња кои не може безбедно да се прицврстат или да се држат со рака.** Ако раката ја ставите преблиску до сечилото на пилата, постои голема опасност од повреда при допирање на сечилото.
- Парчето за обработка мора да биде статочно и прицврстено или да се држи и за граничникот и за масата. Не го ставајте парчето за обработка во сечилото или жлебот „со слободна рака“ на никој начин.** Слободно или неприцврстено парче за обработка може да биде исфрлено со голема брзина и да предизвика повреда.

- Притиснете ја пилата низ парчето за обработка. Не ја влечете пилата низ парчето за обработка. За да пресечете, подигнете ја главата на пилата и повлечете ја преку парчето за обработка без сечење, вклучете го моторот, притиснете ја главата на пилата надолу и притиснете ја пилата низ парчето за обработка.** Со повлекување на пилата додека сечете, сечилото може да се искачи на врвот на парчето за обработка и силно да го отфрли склопот на сечилото кон ракувачот.
- Никогаш не ги прекрстувајте рацете врз одредената линија за сечење пред и зад сечилото на пилата.** Држење на парчето за обработка „со вкрстени раце“ т.е. држење на парчето за обработка на десната страна од сечилото на пилата со лева рака или обратно, е многу опасно.
- Не посегнувајте со рацете зад граничникот поблиску од 100 мм од двете страни на сечилото за да ги отстраните дрвените остатоци или заради друга причина, додека сечилото ротира.** Може да не забележите колку е блиску сечилото до Вашата рака, па може сериозно да се повредите.
- Проверете го парчето за обработка пред да започнете со сечењето. Ако парчето за обработка е накривено или навалено, прицврстете ја надворешната навалена страна на граничникот. Секогаш проверувајте дали има луфта меѓу парчето за обработка, граничникот и масата покрај линијата на сечење.** Накривено или навалено парче за обработка може да се извитка или помести и да предизвика замотување на сечилото кое ротира при сечење. Не смее да има шајки или други туѓи предмети во парчето за обработка.
- Не ја употребувајте пилата ако на масата, освен парчето за обработка, има алати, дрвени остатоци и др.** Ако малите остатоци или расфрлените парчиња дрво или другите предмети се допрат до ротирачкото сечило, може да се расфрлаат со голема брзина.
- Сечете само едно парче.** Ако повеќе парчиња се наредени едно врз друго, не може соодветно да се зацврстат или поврзат, па може да се фатат за сечилото или да се изместат во текот на сечењето.
- Проверете дали пилата за сечење под агол е монтирана или наместена на рамна, цврста работна површина пред да ја користите.** Рамната и цврста работна површина го намалува ризикот пилата за сечење под агол да стане нестабилна.
- Испланирајте ја работата. Секојпат кога ќе ја промените косината или подесениот агол на закосување, проверете дали граничникот кој се подесува е правилно поставен за држење на парчето и дека нема да му пречи на сечилото или на заштитниот систем.** Без да го вклучување алатот на „0H“ и без ставено парче за обработка на масата, движете го сечилото на пилата низ целосно симулиран пресек, за да проверите дали има некакви пречки, или опасност да се пресече граничникот.
- Обезбедете соодветен потпирач, како на пр. продолжеток на масата, ногарки за потпора на пилата и др., за парчиња за обработка кои се пошироки или подолги од горниот дел на масата.** Ако парчињата за обработка се подолги или пошироки од пилата за сечење под

- агол, тие може да паднат доколку не се прицврстени. Ако отсеченото парче или парчето кое се обработува се навали, може да ја подигне долната заштита или да биде исфрлено од самото ротирачко сечило.
- Не користете друго лице како замена за продолжеток на масата или како дополнителен држач.** Нестабилен држач за парчето кое се обработува може да предизвика зафаќање на сечилото или поместување на парчето за обработка во текот на сечењето, па да Ве повлече Вас и помошникот кон ротирачкото сечило.
 - Отсеченото парче никако не смее да се заглави или да притиска кон ротирачкото сечило.** Ако се заглави, т.е. со помош на должинските граничници, отсеченото парче може да се заглави на сечилото и силно да биде исфрлено.
 - Секогаш користете стега или прицврстувач кој е правилно дизајниран за држење на тркалезен материјал, како на пр. мотки или цевки.** Мотките се склони да се вртат додека ги сечете, па предизвикуваат сечилото да го „зафаќа“ и влече парчето со Вашата рака кон сечилото.
 - Оставете сечилото да достигне целосна брзина пред да го допре парчето за обработка.** Со ова ќе се намали ризикот парчето за обработка да биде исфрлено.
 - Ако парчето за обработка или сечилото биде блокирано, исклучете ја пилата за сечење под агол. Почекајте сите подвижни делови да запрат и исклучете го прилучокот од струја и/или извадете ги батериите. Потоа извадете го заглавениот материјал.** Ако продолжите да сечете со заглавено парче за обработка, може да изгубите контрола или да ја оштетите пилата.
 - Откако ќе завршите со сечењето, ослободете го копчето, држете ја главата на пилата надолу и почекајте сечилото да застане пред да го извадите исеченото парче.** Доближување на раката до сечилото кое сè уште се врти, е опасно.
 - Држете ја цврсто рачката кога правите нецелосно сечење или кога го ослободувате прекинувачот, пред главата на пилата да биде целосно во позиција надолу.** Закочувањето на пилата може да предизвика главата на пилата одеднаш да биде повлечена надолу, па да предизвика ризик од повреда.
- Останати безбедносни и работни упатства**
Користете сигурносна опрема. Секогаш носете заштита за очи. Сигурносна опрема како маска против прашина, сигурносни чевли кои не се лизгаат, шлем, или заштита за ушите, користени во конкретни услови ќе ги намалат вашите повреди.
Носете штитник за уши. Влијанието на бука може да предизвика губење на сетилото за слух.
Прашината која се крева при работа со овој алат може да биде штетна по здравјето и затоа не го изложувајте го телото. Користете систем за апсорпција на прашината и носете соодветна заштитна маска. Одстранете ја целосно наталожената прашина пр: со правосмукалка.
Приклучете ја пилата за правосмукалка, кога обработувате дрво.
Пред да го употребите алатот ве молиме прочитајте ги инструкциите. Доколку е возможно со претходна демонстрација.

Обезбедете, машината да стои постојано цврсто (на пример прицврстување на работната маса).

Одржувајте го подот чист од остатоци од материјал, на пример струготини или остатоци од пилење.

Не употребувајте оштетени или деформирани дискови.

Не користете сечила кои не одговараат на пропишаните параметри дадени во овој прирачник за употреба.

Смеа да се користи само алат што одговара на нормата EN-847-1

Не користете сечила за пила кои се направени од високобрзински челик

Неопходно е да изберете го виде ножот кој е погоден за материјалот се сече.

Бројот на вртежи на алатот, којшто се употребува, мора да биде нај-малку толку висок како и бројот на вртежите на вашиот електро-алат. Додатокот, којшто се врти побрзу, може да се скриша и да излети.

Алатите треба да се транспортираат и чуваат во соодветен контејнер.

За да го обезбедите сечилото на пилата не користете ножеви различни од постоечките или оние кои се наведени во прирачникот.

Никогаш не ја користете пилата за сечење други материјали освен наведените во прирачникот за употреба.

Употребувајте ја пилата за отсекување само со сигурно функционирачки и добро одржуван заштитен капак. Заштитниот капак мора да се отклонува самостојно.

Не отстранувајте остатоци од пилење или други делови од обработуваните предмети во подрачјето на пилење кога машината работи и кога главата за пилење не е во положба на мирување.

Никогаш не посегнувајте во зоната на опасната работна површина при вклучена машина.

Секогаш користете заштитен штит на машината.

Не ја затегнувајте вртливата заштита.

Долгите парчиња мораат да бидат соодветно потпирани.

Рачното заклучување мора секогаш да биде во функција при транспорт на пилата за сечење.

При спојувањето на цевките под прав агол, под наклон или комбинирани агли под прав агол, подесете ја лизгачката ограда, за да обезбедите правилно минување на ножот.

Со прилагодена брзина на движењето напред, избегнете го прегревањето на забчаниците, а при сечењето на пластични материји избегнете го топењето на материјалот.

Алатката има остри рабови и може да се загрее за време на работата.

ПРЕДУПРЕДУВАЊЕ! Опасност од исеченици и изгореници

-при ракување со алатката

- при ставање на апаратот на страна

Носете заштитни ракавици кога ракувате со алатката.

Дури и при уредна употреба на производот не можат во целост да се исклучат остатоци опасности. При употребата можат да се појават следниве ризици, поради кое што корисникот мора да обрати внимание на следново:

- За да се спречи оштетувањето на слухот мора да се ограничи времето на експозиција и да се носи соодветна заштита за

слух.

- Треба да се носи маска за заштита на дишењето за да се избегнат ризици по здравјето кои што можат да настанат од вдишување на правот од пилењето.

ЛАСЕРСКИ

Не гледајте во ласерскиот зрак и не насочувајте го ласерот кон други лица.

Не гледајте во ласерот со оптички помошни средства (двоглед, дурбин) .

Не го насочувајте ласерот кон рефлектирачки површини.

Избегнувајте изложување на ласерски зрак. Ласерот може да емитура силно зрачење.

Не ги променувајте инсталираната ласер со различен тип.

Поправки смеат да се изведуваат исклучиво од страна на авторизирани сервисни техничари.

СПЕЦИФИЦИРАНИ УСЛОВИ НА УПОТРЕБА

Пилата за отсекување се употребува за пилење масивно дрво, залепени дрва како и за материјали слични на дрво и пластика.

Предмети со кружен или нерамномерен пресек (на пример огревно дрво) не смеат да се пилат, бидејќи при пилење не можат да се држат сигурно. При аголно пилење рамни предмети мора да се употребува соодветен помошен аншлаг со цел за безбедно водење.

ОСТАТОЧНИ ОПАСНОСТИ

Дури и при уредна употреба на производот не можат во целост да се исклучат остатоци опасности. При употребата можат да се појават следниве ризици, поради кое што корисникот мора да обрати внимание на следново:

- Повреди предизвикани како последица на вибрации. Држете ја алатката за рачките предвидени за тоа и ограничете го времето на работа и експозиција.
- Изложеноста на бучава може да доведе до оштетување на слухот. Носете заштита за ушите и ограничете го траењето на експозицијата.
- Честичките нечистотија може да предизвикаат повреди на очите. Секогаш носете заштитни очила, долги панталони и цврсти чевли.
- Вдишување токсични прашина.

ЕУ-ДЕКЛАРАЦИЈА ЗА СООБРАЗНОСТ

Под целосна лична одговорност изјавуваме дека производот опишан во „Технички податоци“ е во сообразност со сите релевантни прописи од директивите

2011/65/EU, (EU) 2015/863 (RoHS)

2006/42/EC

2014/30/EU

и дека се применети следните хармонизирани стандарди биле користени

EN 62841-1:2015+A11:2022

EN IEC 62841-3-9:2020+A11:2020

EN IEC 55014-1:2021

EN IEC 55014-2:2021

EN IEC 63000:2018



Winnenden, 2022-12-12

Alexander Krug / Managing Director

Ополномоштен за составување на техничката документација.

Techtronic Industries GmbH

Max-Eyth-Straße 10, 71364 Winnenden, Germany

БАТЕРИИ

Батриите кои не биле користени подолго време треба да се наполнат пред употреба. Температура повисока од 50oC (122oF) го намалуваат траењето на батериите. Избегнувајте подолго изложување на батериите на високи температури или сонце (ризик од прегревање).

Клемите на полначот и батериите мора да бидат чисти.

За оптимален работен век батериите мора да се наполнат целосно по употреба.

За можно подолг век на траење, апаратите после нивното полнење треба да бидат извадени од апаратот за полнење на батериите.

Во случај на складирање на батеријата подолго од 30 дена: Чувајте го акумулаторот на температура под 27°C и подалеку од влага. Акумулаторот да се складира на приближно 30%-50% од состојбата на наполнетост.

ТРАНСПОРТ НА ЛИТИУМ-ЈОНСКИ БАТЕРИИ

Транспорт на литиум-јонски батерии

Транспортот на овие батерии мора да се врши согласно локалните, националните и меѓународните прописи и одредби.

Потрошувачите на овие батерии може да вршат непречен патен транспорт на истите.

Комерцијалниот транспорт на литиум-јонски батерии од страна на шпедитерски претпријатија подлежни на одредбите за транспорт на опасни материји. Подготовките за шпедиција и транспорт треба да ги вршат исклучиво соодветно обучени лица. Целокупниот процес треба да биде стручно надгледуван.

При транспортот на батерии треба да се внимава на следното:

Осигурајте се дека контактите се заштитени и изолирани, а сето тоа со цел да се избегнат кратки споеви. Внимавајте да не дојде до измествување на батериите во нивната амбалажа. Забранет е транспорт на оштетени или протечени литиум-јонски батерии. За понатамошни инструкции обратете се до Вашето шпедитерско претпријатие.

ЗАШТИТА ОД ПРЕОПТЕРЕТУВАЊЕ НА БАТЕРИЈАТА

Во случај на преоптоварување на батериите поради енормно висока потрошувачка на електрична енергија, на пр. екстремно висок број на вртежни моменти, заглавување на оперативната алатка, неочекувано сопирање или краток спој, електричната алатка прекинува со работа и по 2 секунди автоматски се исклучува. За ресетирање, извадете го акумулаторот од алатот и заменете го. Во случај на екстремни оптоварувања батеријата се загрева премногу. Во таков случај трепкаат сите ламбички од приказот за полнење сè додека батеријата не се излади. По гаснење на приказот за полнење може да се продолжи со работа. Тогаш ставете ја батеријата во уредот за полнење за повторно да ја наполните и активирате.

ОДРЖУВАЊЕ

Извадете го батерискиот склоп пред отпочнување на каков и да е зафат врз машината.

Уверете се дека алатката е исклучена од напојување пред да го прикачите или отстраните сечилото.

Заменете ја изабаната подлога за маса.

Апаратот и заштитната направа очистете ја со сува крпа.

Вентилациските отвори на машината мора да бидат комплетно отворени постојано.

Користете само Milwaukee додатоци и резервни делови. Доколку некои од компонентите кои не се опишани треба да бидат заменети, Ве молиме контактирајте ги сервисните агенти на Milwaukee (консултирајте ја листата на адреси).

Доколку е потребно можно е да биде набавен детален приказ на алатот. Ве молиме наведете го бројот на артиклот како и типот на машина кој е отпечатен на етикетата и порачајте ја скицата кај локалниот застапник или директно кај: Techtronic Industries GmbH, Max-Eyth-Straße 10, 71364 Winnenden, Germany.

СИМБОЛИ



ВНИМАНИЕ! ПРЕДУПРЕДУВАЊЕ! ОПАСНОСТ!



Извадете го батеријскиот склоп пред отпочнување на каков и да е зафат врз машината.



Ве молиме пред да ја стартувате машината обрнете внимание на упатствата за употреба.



Секогаш при користење на машината носете ракавици.



Носете штитник за уши.



Носете ракавици!



Никогаш не ги поставувајте рацете во подрачјето на дискот за сечење.



Не ја изложувајте машината на дожд.



Овој производ содржи потрошувачки лазерски производ од класа 2 според EN 60825-1:2014+A11:2021 и EN 50689:2021.

Не гледајте во лазерскиот зрак.



Не отстранувајте ги отпадните батерии, отпадната електрична и електронска опрема како несортиран комунален отпад. Отпадните батерии и отпадната електрична и електронска опрема мора да се собираат посебно. Отпадните батерии, отпадните акумулатори и отпадните извори на светлина треба да се отстранат од опремата. Проверете кај вашиот локален орган или продавач за совети за рециклирање и место за собирање. Во зависност од локалните регулативи, трговците на мало може да се обврзани бесплатно да ги преземаат искористените батерии, како и отпадната електрична и електронска опрема. Вашиот придонес за повторна употреба и рециклирање на отпадните батерии и отпадната електрична и електронска опрема помага да се намали побарувачката на суровини. Отпадните батерии, посебно оние што содржат литиум, и отпадната електрична и електронска опрема содржат вредни материјали за рециклирање, кои може негативно да влијаат на животната средина и на здравјето на луѓето доколку не се отстранат на еколошки компатибилен начин. Избришете ги личните податоци од отпадната опрема, доколку ги има.



Напон



Истосмерна струја



Брзина без оптоварување



Сечило на пила дијаметар x дијаметар на отвор



Европска ознака за сообразност



Британска ознака за сообразност



Украинска ознака за сообразност



Евроазиска ознака за сообразност

Технични характеристики Торциовална та вусоризна пила	M18 SMS216
Номер výroбу	4745 85 04... ... 000001-999999
Кількість обертів холостого ходу	2700 min ⁻¹
Напруга знімної акумулаторної батареї	18V ---
Ø пилкового диску x Ø отвору	216 x 30 mm
Товщина пилкового диску	1,5 mm
Ширина ризання макс. З'єднання під гострим кутом 0°/ Нахил 0° З'єднання під гострим кутом 45°/ Нахил 0° З'єднання під гострим кутом 0°/ Нахил 45° З'єднання під гострим кутом 45°/ Нахил 45°	60 x 270 mm 60 x 190 mm 48 x 270 mm 48 x 190 mm
Мін. розміри заготовки	130 x 35 x 2 mm
Температура навколишнього середовища, рекомендована для експлуатації	-5°C - +40°C
Рекомендовані акумулатори	M18B..., M18HB...
Рекомендовані зарядні пристрої	M12-18..., M1418 C6
Вага згідно з процедурою EPTA 01/2014	14,5 kg
Лазерне випромінювання, що використовується в цій пилі, відноситься до класу II з максимальною потужністю P ≤ 1 мВт і довжиною хвилі λ: 620 ~ 660 нм.	
Інформація про шум Вимірні значення визначені згідно з EN 62841. Рівень шуму "А" приладу становить в типовому випадку: Рівень звукового тиску (похибка К = 3 дБ(А)) Рівень звукової потужності (похибка К = 3 дБ(А)) Використовувати засоби захисту органів слуху!	91,8 dB (A) 105 dB (A)

ПОПЕРЕДЖЕННЯ

Рівень шуму, вказаний в цьому технічному бюлетені, вимірювався згідно з методом перевірки, нормованим стандартом EN 62841, і може використовуватися для порівняння інструментів. Він призначений також для попередньої оцінки навантаження. Вказаний рівень шуму відповідає основним сферам використання інструменту. Однак якщо інструмент використовується для інших застосувань або з різним приладдям або незадовільно обслуговується, рівень шуму може відрізнятись. Це може значно підвищити навантаження за весь період роботи. Для точної оцінки навантаження від шуму необхідно також враховувати час, коли інструмент вимкнений або увімкнений, але фактично не використовується. Це може значно знизити навантаження за весь період роботи. Визначте додаткові заходи безпеки для захисту оператора від дії шуму, наприклад: технічне обслуговування інструменту і приладдя та організація робочих процесів. Користуйтеся засобами захисту органів слуху. Вплив шуму може спричинити втрату слуху.



ПОПЕРЕДЖЕННЯ Ознайомтеся з усіма вказівками щодо техніки безпеки, інструкціями, ілюстраціями та відомостями, що було надано разом із приладом. Недотримання наведених далі інструкцій може спричинити ураження електричним струмом, пожежу та/або тяжкі травми. **Зберігайте всі вказівки з техніки безпеки та інструкції на майбутнє.**



ІНСТРУКЦІЇ З ТЕХНІКИ БЕЗПЕКИ ДЛЯ КУТОРИЗНИХ ПИЛ

- Куторізни пили призначені для розрізання деревини та деревоподібних виробів, їх не можна використовувати з абразивними відрізними дисками для розрізання металевих матеріалів, наприклад брусків, прутків, стержнів тощо.** Абразивний пил призводить до заклинювання рухомих частин, наприклад нижнього захисного щитка. Іскри від ризання абразивним диском призведуть до розплавлення нижнього захисного щитка, прорізиної вставки й інших пластмасових деталей.
- Якщо це можливо, фіксуйте заготовку зажимами. Якщо ви підтримуєте заготовку рукою, завжди тримайте руку на відстані не менше 100 мм від кожного боку лева. Не розрізайте пилюю заготовки замалого розміру, які неможливо безпечно зафіксувати зажимом або рукою.** Якщо рука знаходиться надто близько до лева, існує підвищений ризик травмування внаслідок контакту з лезом.
- Заготовка повинна бути нерухома зафіксована зажимом або рукою відносно столу й перегордки. Не направляйте заготовку до лева та не виконуйте розрізання будь-яким чином «від руки».** Пила викине незафіксовані чи рухомі заготовки під час роботи на великих швидкостях, що може призвести до травмування.

d) **Переміщуйте пилу по відношенню до заготовки, штовхаючи пилу від себе. Не тягніть пилу на себе. Щоб зробити розріз, підніміть головку пили, наведіть її над заготовкою без розрізання, увімкніть двигун, опустіть головку пили вниз і штовхайте пилу від себе.** Якщо під час розрізання переміщувати пилу до себе, лезо пили може переміститися на верхню частину заготовки, через що сила обертання виштовхне блок лева в бік оператора.

e) **У жодному разі не наводьте руку на передбачену лінію розрізу перед лезом пили або позаду нього.** Не тримайте заготовку «перехрещеними руками», тобто не ставте ліву руку праворуч від лева чи навпаки, це дуже небезпечно.

f) **Коли лезо обертається, не простягайте руку за перегородку ближче ніж на 100 мм від будь-якого боку лева, щоб прибриати обрізки деревини, або з будь-якою іншою метою.** Не завжди можна оцінити, наскільки близько рука розташовується від лева, що обертається, і ви можете отримати важку травму.

g) **Перед розрізанням огляньте заготовку. Якщо заготовка викривлена чи деформована, розташуйте її вигинно убік перегородки та зафіксуйте зажимом. Вдвох ліній розрізання не повинно бути щілин між заготовкою, перегородкою та столом.** Викривлені чи деформовані заготовки можуть перекутнутися чи зміститися, через що під час розрізання вони можуть зачепитися за лезо пили, що обертається. На заготовках не повинно бути цвяхів або сторонніх об'єктів.

h) **Перед використанням пили очистьте стіл від усіх інструментів, обрізків деревини тощо, залишивши лише заготовку.** Пила може з великою швидкістю викинути невеликі сторонні об'єкти, незакріплені шматки деревини чи інші об'єкти, якщо вони контактують із лезом, що обертається.

i) **Розрізайте лише одну заготовку за один раз.** Групу з кількох установлених одна на одну заготовок не можна належним чином зафіксувати зажимом або ремнем, і заготовки можуть зачепитися за лезо чи зміститися під час розрізання.

j) **Перед використанням переконайтеся в тому, що куторізну пилу встановлено чи закріплено на рівній твердій поверхні.** Робоча поверхня повинна бути рівною та твердою, щоб знизити ризик коливання пили.

k) **Плануйте свою роботу. Кожного разу, коли ви змінюєте налаштування нахилу чи кута розрізання, перевіряйте, чи правильно встановлено налаштування перегородки, яка повинна підтримувати заготовку та не перешкоджати роботі лева чи запобіжній системі.**

Не вмикаючи інструмент і не встановлюючи заготовку на стіл, проведіть лезо пили через усю умовну лінію розрізу та переконайтеся в тому, що лезо не наштвхнеться на перегородку та не пошкодить її.

l) **Якщо довжина чи ширина заготовки перевищує розміри столу, використовуйте необхідну опору, наприклад додаткові секції столу, підставку тощо.**

Без належного закріплення заготовки, довжина чи ширина яких перевищує розміри столу куторізної пили, можуть перекинутися. Якщо відрізана частина чи заготовка перекинеться, вона може підняти нижній захисний щиток, або її може викинути лезо, що обертається.

m) **Не звертайтеся до іншої особи з проханням зафіксувати заготовку вручну.** Ненадійне закріплення заготовки може призвести до защемлення лева або до зміщення заготовки під час розрізання, внаслідок чого ви або помічник можете пасти під лезо, що обертається.

n) **Заборонено будь-яким чином притискати чи штовхати частину, що відрізається, у напрямку до лева під час його обертання.** Якщо частину, що відрізається, зафіксовано, наприклад за допомогою упорної лінійки, вона може перешкоджати роботі лева, і її може бути викинуто під дією сили обертання.

o) **Для фіксації круглих матеріалів, наприклад стовбурів чи труб, завжди використовуйте зажим або спеціальне приладдя для кріплення.** Стовбури мають тенденцію до обертання під час розрізання, через що пила може захопити заготовку та затягнути її та ваші руки під лезо.

p) **Перед розрізанням заготовки лезо повинно досягти повної швидкості обертання.** Це знизить ризик викидання заготовки.

q) **У разі защемлення лева чи заготовки вимкніть пилу. Дочекайтеся зупинки всіх рухомих частин, вимкніть штепсель із розетки живлення та/або від'єднайте акумулятор. Потім видаліть матеріал, який перешкоджає роботі.** Якщо ви продовжуєте роботу, коли заготовку заложено, ви можете втратити контроль або пошкодити пилу.

r) **Після розрізання вимкніть перемикач, опустіть головку пили та дочекайтеся зупинки лева, перш ніж виймати відрізану частину.** Не наближайте руки до лева, що рухається за інерцією, це небезпечно.

s) **Міцно тримайте ручку, коли ви робите неповний надріз або якщо ви вимикаєте перемикач, перш ніж головка пили встановиться в крайньому нижньому положенні.** Під дією гальмівної сили головка пили може раптово зміститися вперед, що становить загрозу поранення.

Додаткові інструкції з техніки безпеки та експлуатації

Використовувати засоби індивідуального захисту. Завжди носити засоби для захисту очей. Засоби захисту, наприклад, респиратор, нековзане взуття, каска або засіб захисту для органів слуху, використані за відповідних умов, зменшують травматизм.

Користуйтеся засобами захисту органів слуху. Вплив шуму може спричинити втрату слуху.

Пил, що утворюється під час роботи, часто буває шкідливим для здоров'я; він не повинен потрапляти в організм. Використовувати засоби для відсмоктування пилу та додатково носити відповідну маску для захисту від пилу. Відкладення пилу ретельно видалити, наприклад, пиლოსосом.

При пилянні деревини під'єднайте пилку до пиლოსоса.

Перед першим використанням приладу радимо уважно прочитати цю інструкцію з експлуатації та пройти інструктаж з практичного використання.

Завжди забезпечувати стійке положення машини (наприклад, закріпити на верстаті).

На підлозі не повинно бути залишків матеріалів - стружки та тирси.

Не використовувати пилкові диски, що пошкоджені або деформовані.

Пилкові диски, які не відповідають технічним параметрам цієї інструкції з експлуатації, використовувати не можна.

Слід використовувати лише ті інструменти, які відповідають EN 847-1.

Не використовувати пилкові диски, вироблені з швидкорізальної сталі.

Вибрати пилковий диск відповідно до оброблюваного матеріалу.

Допустима кількість обертів вставного інструменту має бути не меншою, ніж максимальна кількість обертів, вказана на електроінструменті. Комплектуючі, що обертаються швидше, ніж дозволено, можуть зламатися і відлетіти.

Інструменти слід транспортувати та зберігати в відповідному контейнері.

Використовувати для кріплення пилкового диску тільки фланці, які постачаються з пилкою та представлені на ілюстрації в інструкції з експлуатації.

Торцювальну пилку ніколи не використовувати для різання інших матеріалів, крім тих, що вказані в інструкції з експлуатації.

Використовувати торцювальну пилку тільки з захисним кожухом, який надійно функціонує та регулярно проходить технічне обслуговування. Захисний кожух повинен автоматично повертатися назад.

Не видаляти стружку або інші частини заготовок з області пиляння, коли машина працює і голівка пилки не знаходиться в положенні зупинки.

Частини тіла не повинні потрапляти в небезпечну область машини, коли вона працює.

Обов'язково користуватися захисним обладнанням машини.

Необхідно повідомити відповідальній особі про несправності машини, в тому числі несправності захисного приладу або пилкового диску, як тільки вони виявляються.

Чи не фіксуйте поворотне захисне огорожу.

Для довгих заготовок необхідні відповідні опори.

Переносити торцювальну пилку за рукоятку тільки з заблокованим транспортним фіксатором. Відрегулювати направляючий упор для різання під кутом, з нахилом або для комбінованого різання так, щоб встановити правильний зазор для подавання.

Швидкість подачі слід коригувати так, щоб уникати перегрівання зубців пилкового диску, а при різанні полімерних матеріалів - розтоплення матеріалу.

Робочий інструмент має гострі країки й може нагріватися під час застосування.

ПОПЕРЕДЖЕННЯ! Небезпека порізів та опіків

-під час маніпуляцій із робочими інструментами

- при відкладанні приладу

Під час маніпуляцій із робочими інструментами надягайте рукавички.

Навіть при належному застосуванні виробу неможливо повністю

виключити залишкові ризики. При використанні можуть виникати наступні ризики, і тому користувач повинен звертати увагу на наступне:

- Щоб запобігти ураженню слуху, необхідно знизити час впливу та носити відповідні засоби захисту органів слуху.
- Необхідно носити фільтруючу захисну маску, щоб уникнути ризиків для здоров'я внаслідок вдихання пилу після пиляння.

ЛАЗЕР

Не дивитися в промінь лазера і не спрямовувати його на інших осіб.

Не дивитися в струмінь лазера через оптичні допоміжні засоби (бінокль, оптична труба).

Не спрямовувати лазер на відбиваючі поверхні.

Не спрямовуйте промінь лазера на людей. Лазер може бути джерелом небезпечного випромінювання.

Не замінювати вбудований лазер іншим. Ремонт можуть виконувати тільки авторизовані техніки сервісної служби.

ВИКОРИСТАННЯ ЗА ПРИЗНАЧЕННЯМ

Торцювальна пилка може використовуватися для різання масивної деревини, клеєної деревини, матеріалів, подібних до деревини, полімерних матеріалів.

Не можна розпилювати заготовки з круглим або нерівним перерізом (наприклад, дрова), бо їх неможливо надійно утримувати при пилянні. При пилянні пласких заготовок, що стоять на ребрі, необхідно використовувати відповідний допоміжний упор для безпечного спрямування пилки.

ЗАЛИШКОВІ НЕБЕЗПЕКИ

Навіть при належному застосуванні виробу неможливо повністю виключити залишкові ризики. При використанні можуть виникати наступні ризики, і тому користувач повинен звертати увагу на наступне:

- Травми внаслідок вібрації. Тримайте прилад за передбачені для цього руків'я і обмежуйте час роботи та експозиції.
- Шумовий вплив може погіршити слух. Носіть захисні навушники і обмежуйте тривалість експозиції.
- Травми очей, викликані частинками забруднень. Завжди надягайте захисні окуляри, щільні довгі штани й міцне взуття.
- Вдихання отруйного пилу.

СЕРТИФІКАТ ВІДПОВІДНОСТІ ВИМОГАМ ЄС

Ми заявляємо на власну відповідальність, що виріб, описаний в "Технічних даних", відповідає всім застосовним положенням директиви

2011/65/EU, (EU) 2015/863 (RoHS)

2006/42/EC

2014/30/EU

та наступним гармонізованим нормативним документам: були використані

EN 62841-1:2015+A11:2022

EN IEC 62841-3-9:2020+A11:2020

EN IEC 55014-1:2021

EN IEC 55014-2:2021

EN IEC 63000:2018



Winnenden, 2022-12-12

Alexander Krug / Managing Director

Уповноважений із складання технічної документації.

Techtronic Industries GmbH

Max-Eyth-Straße 10, 71364 Winnenden, Germany

АКУМУЛЯТОРНІ БАТАРЕЇ

Зніму акумуляторну батарею, що не використовувалася тривалий час, перед використанням необхідно підзарядити. Температура понад 50 °C зменшує потужність знімної акумуляторної батареї.

Уникати тривалого нагрівання сонячними променями або системою обігріву.

З'єднувальні контакти зарядного пристрою та знімної акумуляторної батареї повинні бути чистими.

Для забезпечення оптимального строку експлуатації акумуляторної батареї після використання необхідно повністю зарядити.

Для забезпечення максимально можливого терміну експлуатації акумуляторної батареї після зарядки необхідно виймати з зарядного пристрою.

При зберіганні акумуляторної батареї понад 30 днів: Зберігайте акумулятор у місці, де температура не перевищує 27°C і куди не потрапляє волога. Зберігати акумуляторну батарею в стані зарядки приблизно 30-50 %.

ТРАНСПОРТУВАННЯ ЛІТІЙ-ІОННИХ АКУМУЛЯТОРНИХ БАТАРЕЙ

Транспортування літій-іонних акумуляторних батарей

Транспортування таких акумуляторних батарей повинно відбуватися із дотриманням місцевих, національних та міжнародних приписів та положень.

споживачі можуть без проблем транспортувати ці акумуляторні батареї по вулиці.

Комерційне транспортування літій-іонних акумуляторних батарей експедиторськими компаніями підпадає під положення про транспортування небезпечних вантажів. Підготовку до відправлення та транспортування можуть здійснювати виключно особи, які пройшли відповідне навчання. Весь процес повинні контролювати кваліфіковані фахівці.

При транспортуванні акумуляторних батарей необхідно

дотримуватись зазначених далі пунктів:

Переконайтеся в тому, що контакти захищені та ізольовані, щоб запобігти короткому замиканню. Слідкуйте за тим, щоб акумуляторна батарея не переміщувалася всередині упаковки. Пошкоджені акумуляторні батареї, або акумуляторні батареї, що потекли, не можна транспортувати. Для отримання подальших вказівок звертайтеся до своєї експедиторської компанії.

ЗАХИСТ АКУМУЛЯТОРНОЇ БАТАРЕЇ ВІД ПЕРЕВАНТАЖЕННЯ

При перевантаженні акумуляторної батареї внаслідок занадто високого споживання струму, наприклад, занадто високий крутильний момент, заклинювання вставного інструмента, раптова зупинка або коротке замикання, електроінструмент зупиняється на протязі 2 секунд та самостійно вимикається. Для скидання просто вийміть акумуляторну батарею з інструмента та встановіть її повторно. При надмірних навантаженнях акумуляторна батарея сильно перегрівається. В цьому випадку всі лампочки індикатора заряду блимають, доки акумуляторна батарея не охолоне. Можна продовжити роботу після того, як індикатор заряду згасне. Вставити акумуляторну батарею в зарядний пристрій, щоб знову зарядити та активувати її.

ОБСЛУГОВУВАННЯ

Перед будь-якими роботами на приладі вийняти змінну акумуляторну батарею.

Перед прикріпленням чи зняттям леза пили переконайтеся в тому, що інструмент від'єднано від живлення.

Замінити зношену вкладку стола.

Чистити прилад та захисний пристрій сухою серветкою.

Завжди підтримувати чистоту вентиляційних отворів.

Використовувати тільки комплектуючі та запчастини Milwaukee. Деталі, заміна яких не описується, замінювати тільки в відділі обслуговування клієнтів Milwaukee (зверніть увагу на брошуру "Гарантія / адреси сервісних центрів").

У разі необхідності можна запросити креслення з зображенням вузлів машини в перспективному вигляді, для цього потрібно звернутися в ваш відділ обслуговування клієнтів або безпосередньо в Techtronic Industries GmbH, Max-Eyth-Straße 10, 71364 Winnenden, Німеччина, та вказати тип машини та шестизначний номер на фірмовій табличці з даними машини.

СИМВОЛИ



УВАГА! ПОПЕРЕДЖЕННЯ! НЕБЕЗПЕЧНО!



Перед будь-якими роботами на приладі вийняти змінну акумуляторну батарею.



Уважно прочитайте інструкцію з експлуатації перед введенням приладу в дію.



Під час роботи з машиною завжди носити захисні окуляри.



Використовувати засоби захисту органів слуху!



Носити захисні рукавиці!



Руки ніколи не повинні знаходитися в області пилкового диску.



Не тримати машину під дощем.



Цей продукт містить лазерний продукт класу 2 відповідно до

EN 60825-1:2014+A11:2021 і EN 50689:2021.

Не дивитися в лазерний промінь



Не утилізуйте відпрацьовані батарейки й відпрацьоване електричне та електронне обладнання разом з змішаними побутовими відходами. Відпрацьовані батарейки, відпрацьоване електричне та електронне обладнання необхідно збирати окремо. Відпрацьовані батарейки, відпрацьовані акумулятори, відпрацьовані джерела світла повинні бути вилучені з обладнання. Зверніться до місцевих органів влади або роздрібного продавця за порадою щодо утилізації та пункту збору. Відповідно до місцевих постанов, роздрібні продавці можуть бути зобов'язані безкоштовно забирати назад відпрацьовані акумулятори, електричне та електронне обладнання. Ваш внесок до повторного вживання та переробки відпрацьованих батарейок і відпрацьованого електричного та електронного обладнання допомагає зменшити попит на сировину. Відпрацьовані батарейки, зокрема, що містять літій, і відпрацьоване електричне та електронне обладнання містять цінні матеріали, які можуть бути перероблені, та мають негативний вплив на довкілля й здоров'я людей, якщо не будуть утилізовані у безпечний для довкілля спосіб. Видаліть особисті дані з відпрацьованого обладнання, якщо такі є.



Напряга



Постійний струм



Кількість обертів холостого ходу



Ø пилкового диску x Ø отвору



Європейський знак відповідності



Британський знак відповідності



Український знак відповідності



Євроазіатський знак відповідності



يجب دعم قطع العمل الطويلة بشكل كافٍ.

يجب دائما تشغيل قفل المقبض عند نقل منشآت التلسين، عند القيام بالقطوعات المائلة أو المخروطية أو الزاوية المركبة، قم بتعديل الحاجز المنزلق لضمان تخلص القطع من النصل بشكل صحيح. التكيف مع سرعة التغذية لتجنب الحرارة الزائدة لأسنان الشفرة ولتجنب إتسهار المواد البلاستيكية أثناء عملية القطع. الأداة المستخدمة حادة الحافة وقد تصبح ساخنة أثناء الاستخدام.

تحذير! خطر إصابة بجروح وحروق

عند التعامل مع أدوات الاستخدام

- عند وضع الجهاز

يتعين ارتداء قفازات وقاية عند استعمال أداة الاستخدام.

حتى في حالة استخدام المنتج تبعاً للتعليمات لا يمكن استبعاد باقي المخاطر بشكل تام. في حالة الاستخدام يمكن حدوث المخاطر التالية، لذا يجب على المستخدم مراعاة ما يلي:

- لتجنب أضرار السمع، يجب قصر فترة التعرض للخطر وارتداء واقي مناسب للسمع.
- يجب ارتداء قناع واقي للتنفس، لتجنب المخاطر الصحية، التي يمكن أن تنتج من جراء استنشاق أتربة النشارة.

الليزر

لا تحقق في الشعاع. لا توجه ضوء الليزر على الأشخاص الآخرين.

لا تنظر إلى الشعاع مباشرة بالأدوات البصرية (مجهز ثنائي العينين أو تلسكوب).

لا توجه الليزر على الأسطح العاكسة،

تجنب التعرض لإشعاع الليزر. قد يصدر الليزر إشعاعات خطيرة.

حرك حاجز القطع بعيداً عن مسار العمل عند القطع المتعامد. لا يجوز إجراء إصلاحات إلا من فنيين الخدمة المعتمدين فقط.

شروط الاستخدام المحددة

كما يمكن استخدام منشآت التلسين في نشر الخشب المصمت والخشب المضغوط والقشرة الخشبية المصنفة والمواد المشابهة للخشب والبلاستيك.

لا يجب قطع الجذع الذي به مقطع عرضي مستدير أو غير منتظم (مثل خشب الوقود)، حيث لا يمكن تثبيته بشكل آمن أثناء القطع. عند نشر جذع رقيق من عند الحافة، يتعين استخدام سباح إضافي مناسب للدمع الثابت.

المخاطر المتبقية

حتى في حالة استخدام المنتج تبعاً للتعليمات لا يمكن استبعاد باقي المخاطر بشكل تام. في حالة الاستخدام يمكن حدوث المخاطر التالية، لذا يجب على المستخدم مراعاة ما يلي:

- الإصابات التاجمة عن الاهزازات. أمسك الجهاز من المقابض المخصصة لذلك وحدد أوقات العمل وخطة العمل.
- يمكن أن تسبب الضوضاء في أضرار سمعية. لذا يرح ارتداء واقي للسمع وقم بتحديد فترة العمل.
- إصابات العين الناجمة عن جزيئات الفتوروات. ارتدي دائماً نظارة واقية وبنطلون طويل قوي وحذاء قوي.
- استنشاق الأتربة السامة.

إعلان المطابقة - الاتحاد الأوروبي

نعلن تحت مسؤوليتنا وحدنا أن المنتج المعين تحت اسم "البيانات الفنية" يستوفي جميع الأحكام ذات الصلة ضمن التوجيهات

(EU, (EU) 2015/863 (RoHS/2011/65

EC/2006/42

EU/2014/30

والمعايير المسنقة التالية قد تستعمل

EN 62841-1:2015+A11:2022

EN IEC 62841-3-9:2020+A11:2020

EN IEC 55014-1:2021

EN IEC 55014-2:2021

EN IEC 63000:2018



Winnenden, 2022-12-12

Alexander Krug

Alexander Krug / Managing Director

معمتمة للمطابقة مع الملف الفني

Techtronic Industries GmbH

Max-Eyth-Straße 10, 71364 Winnenden,

Germany

البطاريات

يجب إعادة شحن البطارية غير المستخدمة لفترة قبل الاستخدام. تقل درجات الحرارة التي تتجاوز 50° سيلزيوس (122° فهرنهايت) من أداء البطارية. تجنب التعرض الزائد للحرارة أو أشعة الشمس (خطر التسخين).

يجب الحفاظ على محتويات الشواحن و البطاريات نظيفة.

للحصول على فترة استخدام مثالية، يجب شحن البطاريات تماماً، بعد الاستخدام.

للحصول على أطول عمر ممكن للبطارية، انزع البطارية من الشاحن بمجرد شحنها تماماً.

فهي اطلبها قمزح نرّخ :جوي 30 نم رشلقأ فير اطلبيلأ ن بهز ختل ن ع ادي عجو فيوي م هجر د 27 ن ع هتار ارح هجر د لقت ن الفم يف ن ي ن حوارتت هب س ن ب ف ن و ح ش م فير اطلبيلأ نرّخ فب و ط ر ل أ % 30 -50

نقل بطاريات الليثيوم

نقل بطاريات الليثيوم

ويجب نقل هذه البطاريات وفقاً للأحكام والقوانين المحلية والوطنية والدولية.

يمكن للمستخدم نقل البطاريات برأ دون الخضوع لشروط أخرى.

يخضع النقل التجاري لبطاريات الليثيوم أيون عن طريق الغير إلى قوانين نقل السلع الخطرة. يتعين أن يقوم أفراد مدربون جيداً بالأعداد لعملية النقل والقيام بها بصحبة خبراء منهم.

متى تُنقل البطاريات:

عند التأكد من حماية أطراف توصيل البطارية وعزلها تجنباً لحدوث قصر بالدائرة. عند التأكد من حماية حزمة البطارية من الحركة داخل صندوق التعبئة. يُرجى عدم نقل البطاريات التي بها تشققات أو تسربات. يُرجى البحث مع شركة الشحن عن نصيحة أخرى

حماية البطارية

في حالة التحميل الزائد على البطارية نتيجة استهلاك طاقة كهربائية عالية جداً، على سبيل المثال عزم دوران عالي جداً، أو إنحسار الآلة المستخدمة أو التوقف المفاجئ أو حدوث ماس كهربائي تتوقف الآلة

الكهربائية لمدة دقيقتين وتتوقف تلقائياً عن العمل. لإعادة الضبط قم بإزالة حزمة البطاريات من الأداة واستبدالها في الظروف القصوى للعمل، قد ترتفع درجة الحرارة الداخلية للبطارية ارتفاعاً شديداً. إذا حدث ذلك، سيضيء مقياس الوقود حتى تنخفض درجة حرارة البطارية. بعد انطفاء الأضواء، يمكنك متابعة العمل. ضع البطارية على الشاحن للشحن ثم أعد ضبطها.

الصيانة

انزع البطارية قبل التعامل مع الجهاز..

تأكد من فصل الأداة من مورد الطاقة قبل تركيب نصل المنشار أو إزالتها..

استبدل لمقمة الطاولة عند تآكلها

نظف الجهاز وحاجب الحماية بفضة جافة.

يجب أن تكون فتحات تهوية الجهاز نظيفة طوال الوقت.

استخدم فقط ملحقات ميلوكي وكذلك قطع غيار ميلوكي. إذا كانت المكونات التي يجب تغييرها غير مذكورة، يرجى الاتصال بأحد عملاء صيانة ميلوكي (انظر قائمة عناوين الضمان/الصيانة الخاصة بنا).

عند الحاجة يمكن طلب رمز انفجار الجهاز بعد نكر طراز الآلة والرقم السداسي المذكور على بطاقة طاقة الآلة لدى جهة خدمة العملاء أو مباشرة لدى شركة Techtronic Industries GmbH.

Max-Eyth-Straße 10, 71364 Winnenden ألمانيا

الرموز

تنبيه! تحذير! خطر!

انزع البطارية قبل التعامل مع الجهاز.

يرجى قراءة التعليمات بعناية قبل بدء تشغيل الجهاز.

ارتد دائماً نظارات الوقاية عند استخدام الجهاز.

ارتد واقيات الأذن!

ارتد القفازات!

احفظ دائماً بيدك بعيداً عن مسار شفرة المنشار.

لا تعرض الآلة للمطر مطلقاً.



يحتوي هذا المنتج على منتج ليزر استهلاكي من الفئة 2 وفقاً لـ

EN 60825-1:2014

+A11:2021

EN 50689:2021.

لا تحقق في الشعاع.

يحظر التخلص من البطاريات القديمة والأجهزة الكهربائية والإلكترونية القديمة سوياً مع القمامة المنزلية. يجب جمع البطاريات القديمة والأجهزة الكهربائية والإلكترونية القديمة والتخلص منها بشكل منفصل. انزع البطاريات القديمة والمراكم القديمة والمصباح من الأجهزة قبل التخلص منها. الرجاء الاستفسار لدى الجهات الرسمية في المكان أو لدى التجار المتخصصين عن مواقع إعادة الاستغلال ومواقع الجمع. وفقاً للوائح المحلية، قد يُطلب من تجار التجزئة استعادة البطاريات القديمة والأجهزة الكهربائية والإلكترونية القديمة مجاناً. ساهم في الحد من الحاجة إلى المواد الخام عن طريق إعادة استخدام البطاريات القديمة والأجهزة الكهربائية والإلكترونية القديمة الخاصة بك وإعادة تدويرها. تحتوي البطاريات القديمة (و على الأخص بطاريات أيون الليثيوم) والأجهزة الكهربائية والإلكترونية القديمة على مواد قيمة وقابلة لإعادة التدوير يمكن أن يكون لها آثار سلبية على البيئة وصحتك في حالة عدم التخلص منها على نحو يتماشى مع البيئة. قبل التخلص قم بمحو البيانات الشخصية التي قد تكون على جهازك القديم.

V الجهد الكهربى

== التيار المستمر

n₀ أقصى سرعة دون وجود حمل

قطر شفرة المنشار x قطر الثقب

CE علامة التوافق الأوروبية

UK CA علامة التوافق البريطانية

001 علامة التوافق الأوكرانية

EAC علامة التوافق الآسيوية



Ara

قيود قلة ثانويات قيود راشنم	
إنتاج عدد	M18 SMS216
أقصى سرعة دون وجود حمل	4745 85 04... ... 000001- 999999
فولطية البطارية	2700 min ⁻¹
قطر شفرة المنشار x قطر الثقب	18V ==
سُمك شفرة المنشار	216 x 30 mm
عرض القطع الحد الأقصى.	1,5 mm
القطع المائل 0° / الأسطح المائلة 0°	60 x 270 mm
القطع المائل 45° / الأسطح المائلة 0°	60 x 190 mm
القطع المائل 70° / الأسطح المائلة 45°	48 x 270 mm
القطع المائل 45° / الأسطح المائلة 45°	48 x 190 mm
الحد الأدنى لإبعاد قطعة العمل	130 x 35 x 2 mm
درجة حرارة البيئة المحيطة الموصح بها من أجل التشغيل	-5°C - +40°C
البطاريات المنصوح بها	M18B..., M18HB...
جهاز الشحن المنصوح به	M12-18..., M1418 C6
الوزن وفقاً لنهج EPTA رقم 01/2014	14,5 kg
أشعة الليزر المستخدمة في هذا المنشار من الفئة II أال موجبة P≤1 ميجاوات و 620 ~ 660 نانومتر بحد أقصى.	
معلومات الضوضاء	
القيم التي تم قياسها محددة وفقاً للمعايير الأوروبية EN 62841 مستويات ضوضاء الجهاز، ترجيح أشكال نموذجي كالتالي:	
مستوى ضغط الصوت (الارتياح في القياس = 3 ديسيبل (A))	
مستوى شدة الصوت (الارتياح في القياس = 3 ديسيبل (A))	
ارتد واهبات الأذن!	

تحذير

إن قيمة الضجيج المنبعث المذكورة في هذا المنشور تطابق المعايير التي تم قياسها في عملية اختبار أجريت تبعاً للمعايير الأوروبية EN 62841 ويمكن استخدامه لمقارنة أدوات العمل مع بعضها البعض. وهي مناسبة أيضاً للتقدير المؤقت لمدى التحمل. القيمة المذكورة للضجيج المنبعث تعبر عن الضجيج الناتج من الاستخدامات الرئيسية للأداة ولكن على أي حال إذا استخدمت الأداة في استخدامات أخرى أو مع مستلزمات مخالفة أو إذا لم يتم صيانتها بشكل كافي فقد تختلف قيمة الضجيج المنبعث. هذا يمكن أن يؤدي إلى ارتفاع مدى التحمل بشكل واضح في سائر وقت العمل.

للتقدير الدقيق لمعدل تحمل الضجيج ينبغي أيضاً مراعاة الأوقات التي يتم فيها إيقاف عمل الأداة أو التي تعمل فيها الأداة ولكن لا يتم استخدامها بالفعل. هذا يمكن أن يؤدي إلى انخفاض مدى التحمل بشكل واضح في سائر وقت العمل.

حدد إجراءات وقاية إضافية لحماية المستخدم من تأثير الضوضاء مثل: صيانة الأداة والمستلزمات وتنظيم مسارات العمل. ارتد واهبات الأذن. ارتد قد يسبب التعرض للضوضاء إلى فقدان السمع.



تحذير اقرأ جميع تعليمات السلامة والإرشادات والشروح والبيانات المرفقة مع الجهاز. قد يؤدي عدم مراعاة التعليمات المدرجة أدناه إلى التعرض للإصابة بصدمة كهربائية أو الحريق و/أو إصابة خطيرة. احتفظ بجميع التنبيهات والتعليمات للرجوع إليها مستقبلاً.

تعليمات السلامة المتعلقة بمناشير التلسين

(a) تستخدم مناشير التلسين لقطع الخشب أو المنتجات الخشبية ولا يمكن استخدام أسطوانات القطع الكاشطة الخاصة بها لقطع الخامات الحديدية مثل القضبان والأسياخ والبراغي وغيرها. ففي هذه الحالة ستؤدي البرادة الناتجة عن القطع إلى انحشار الأجزاء المتحركة مثل الواقي التحتي، كما ستؤدي الشرارات المتولدة إلى إحراق الواقي التحتي وصفيحة القطع وغيرها من الأجزاء البلاستيكية.

(b) استخدم كلاً (قائمة) لتثبيت قطعة الشغل ما أمكن ذلك. وفي حالة تثبيت الشغلة بيدك أثناء قطعها يجب عليك إبعاد يدك بمسافة 100 مم على الأقل من جانبي نصل المنشار. ولا تستخدم هذا المنشار لقطع أشياء صغيرة يتعذر عليك تثبيتها بالكلايات أو بيدك بإحكام. إذ عندما تكون يدك قريبة جداً من نصل المنشار سيزيد خطر تعرضك للإصابة بسبب ملامسة النصل.

(c) يجب تثبيت قطعة الشغل أو الإمساك بها من الحاجز أو على الطاولة. ولا تدفع بقطعة الشغل باتجاه النصل أو تقطع "بيد حرة" بأي حال من الأحوال. قطعة الشغل غير المثبتة أو المتحركة يمكن أن تقذف بسرعة كبيرة، مما يعرضك للإصابة.

(d) ادفع المنشار داخل قطعة الشغل لكن احرص على ألا تسحب للخلف من خلالها. ولعمل قطع أرفع رأس المنشار واسحب حتى يصير فوق قطعة الشغل دون قطع ثم شغل المحرك وحرك رأس المنشار لأسفل واضغطه داخل قطعة الشغل. حيث أنك إذا قطعت بسحب المنشار للخلف خلال قطعة الشغل فمن المحتمل أن يقفز نصل المنشار فوق قطعة الشغل ويتسبب في انفداف مجموعة النصل بعنف باتجاه الشغل.

(e) تجنب وضع يدك متقاطعتين فوق مسار القطع المحدد سلفاً سواء أمام المنشار أو خلفه. إذ أن من الخطورة بمكان تثبيت قطعة الشغل في مكانها "بتثبيتك اليدين"، أي تثبيتها على يمين نصل المنشار باستخدام اليد اليسرى أو العكس.

(f) لا تمد يدك خلف الحاجز لمسافة أقرب من 100 مم على أي من جانبي نصل المنشار، لإزالة نشارة الخشب أو لأي سبب آخر أثناء دوران النصل. وقد يتعذر تقدير مدى القرب من نصل المنشار الدوار وهو ما قد يعرضك لإصابة خطيرة.

(g) افحص قطعة الشغل المراد قطعها جيداً قبل القطع، فإذا كانت ملتوية أو مقوسة فقم بتثبيتها بحيث يصبح الوجه المنيبج ناحية الحاجز. واحرص دائماً على عدم وجود أي فراغ بين قطعة الشغل والحاجز والطاولة بطول مسار القطع. حيث إن قطعة الشغل الملتوية أو المقوسة قد تنتهي أو تتحرك وتؤدي إلى انحشار نصل المنشار الدوار أثناء القطع. واحرص على عدم وجود أية مسامير أو أجسام غريبة في قطعة الشغل.

(h) قبل استعمال المنشار احرص على تنظيف الطاولة من أية أدوات أو نشارة خشب أو غيرها باستثناء قطعة الشغل. إذ أن قطع الخشب الصغيرة أو الأجزاء المنحلة وغيرها من الأشياء التي تلامس نصل المنشار أثناء دورانه قد تقذف بسرعة كبيرة.

(i) اكتفي بقطع قطعة شغل واحدة فقط في كل مرة. إذ لا يمكن تثبيت أو احتواء عدة قطع معاً بإحكام كافٍ وقد تؤدي إلى التواء نصل المنشار أو انخلاعه.

(j) قبل البدء في استخدام منشار التلسين، احرص على وضع المنشار على سطح مستو وثابت. إذ أن السطح المستوي والثابت سيحد من خطر اهتزاز المنشار.

(k) خطط للعمل قبل تنفيذه. وفي كل مرة تقوم فيها بتغيير زاوية أو ميل التلسين احرص على ضبط الحاجز المتحرك في الوضع الصحيح المناسب لتثبيت قطعة الشغل وبحيث لا يتلامس مع نصل المنشار أو الواقي. قبل تشغيل المنشار أو وضع قطعة الشغل على الطاولة قم بمحاكاة مسار القطع بالكامل لكي تتأكد من عدم وجود أي تداخل بين مسار النصل والحاجز أو احتمال تعرض الحاجز للقطع.

(l) إذا كانت قطعة الشغل أطول أو أعرض من الطاولة فأحرص على سند قطعة الشغل بما يكفي، باستخدام تطويلة للطاولة أو حصان المنشار. علماً بأن قطعة الشغل الأطول أو الأعرض من سطح الطاولة قد تتعرض للميلان إذا لم تكن مثبتة بإحكام. وعندما تميل قطعة الشغل فقد تؤدي إلى رفع الواقي أو قد تقذف بفعل النصل الدوار.

(m) لا تستعن بأي شخص لمساعدتك في تثبيت قطعة الشغل إذا كانت أطول أو أعرض من الطاولة. لأن قطعة الشغل المنحلة قد تؤدي إلى انثناء نصل المنشار أو تحرك قطعة الشغل أثناء القطع وسحب أنت ومن يساعدك في تثبيتها باتجاه النصل.

(n) احرص على عدم ضغط أو حشر قطعة الشغل في نصل المنشار أثناء دورانه بأي حال من الأحوال. وإذا كانت قطعة الشغل منحصرة، كما في حالة الاستعانة بمصدات لتحديد الطول المراد قطعه، فقد تصطدم بالنصل وتقذف بعنف.

(o) احرص دائماً على استخدام كلاب أو وسيلة تثبيت لغرض تثبيت قطعة الشغل المستديرة مثل القضبان أو الأنابيب. حيث أن القضبان غالباً ما تدور أثناء قطعها فتؤدي إلى "تثبيت" النصل بها وسحب قطعة الشغل مع يدك باتجاه النصل.

(p) اترك النصل يصل إلى أقصى سرعة لدورانه قبل ملامسته لقطعة الشغل. إذ أن ذلك سوف يساعد كثيراً في الحد من خطر قذف قطعة الشغل.

(q) إذا انحشرت قطعة الشغل أو النصل، فأوقف المنشار، وانتظر قليلاً حتى تتوقف كافة الأجزاء الدوارة ثم افصل مصدر التيار و/أو انزع البطارية ثم قم بإزالة المادة المحشورة. في حالة مواصلة

القطع رغم انحشار قطعة الشغل فقد تفقد السيطرة على المنشار أو قد يتعرض للتلدغ.

(r) بعد الانتهاء من القطع ارفع يدك عن زر التشغيل واخفض رأس المنشار لأسفل وانتظر حتى يتوقف نصل المنشار تماماً قبل إبعاد قطعة الشغل المقطوعة. من الخطورة بمكان تقريب يدك من نصل المنشار أثناء دورانه.

(s) أمسك الذراع بثبات عندما تتوقف عن القطع قبل اكتماله أو عند رفع يدك عن الزر قبل وصول رأس المنشار إلى أسفل تماماً. إذ أن رد الفعل عقب توقف المنشار قد يؤدي إلى اندفاع رأس المنشار لأسفل فجأة، ما قد يؤدي إلى احتمال التعرض لإصابة خطيرة.

إرشادات امان وعمل إضافية

استخدم أدوات وقاية شخصية وارتدي دائماً واقي للعين. استخدم الأدوات الوقائية مثل القناع الواقي من الغبار أو أحذية الأمان ضد الإنزلاق أو القبعة الواقية أو واقي السمع بما يتناسب مع الظروف يقلل من الحوادث الشخصية.

ارتد واهبات الأذن. ارتد قد يسبب التعرض للضوضاء إلى فقدان السمع.

قد تكون الأتربة الناتجة عن استخدام هذه الآلة ضارة بالصحة. لا تستنشق هذه الأتربة. استخدم نظام امتصاص الأتربة وارتد قناعاً واطياً من الأتربة مناسباً. قم بإزالة الأتربة الموجودة تماماً، باستخدام المكنسة الكهربائية على سبيل المثال.

عند نشر الأخشاب قم بتوصيل المنشار بمكنسة كهربائية.

يُرجى قراءة التعليمات قبل استخدام الأداة. قام باستعراض الأداة عملياً إن أمكن.

تأكد دائماً من أن الماكينة ثابتة ومؤمنة (على سبيل المثال، مثبتة في طاولة العمل)

حافظ على نظافة الأرضية من بقايا المواد المفككة مثل، الشظايا وفضلات القطع.

لا تستخدم شفرات المنشار التالفة أو المشوهة

لا تستخدم شفرات منشار لا تتوافق مع البيانات الرئيسية الموضحة في تعليمات الاستخدام هذه.

استخدم فقط الأدوات التي تفي بمتطلبات المعيار EN 847-1.

لا تستخدم شفرات المنشار المصنوعة من صلب عالي السرعة.

من الضروري اختيار شفرة المنشار التي تتناسب مع المادة المراد قطعها.

يتعين أن تساوي السرعة المقدرّة لقطع الملحقات على الأقل الحد الأعلى للسرعة المحددة على الآلة الكهربائية. فقد يؤدي تشغيل الملحقات بسرعة أعلى من السرعة المقدرّة لها إلى كسرها أو تفتتها وتناثر شظاياها.

اعمل على نقل أو تخزين الأدوات في حاوية مناسبة؛

لا تستخدم أي شفاة غير تلك المرفقة أو المبنية في دليل التعليمات لتأمين شفرة المنشار.

لا تستخدم منشار التلسين في قطع أي مواد غير المبنية في دليل التعليمات.

استخدم المنشار فقط مع أدوات الوقاية بترتيب صحيح للعمل والحفاظ عليها في الوضع الصحيح.

لا تعمل على إزالة أي فضلات القطع أو غيرها من أجزاء قطعة العمل من منطقة القطع أثناء تشغيل الماكينة وحينما يكون رأس المنشار ليس في وضع السكن.

لا تصل أبداً إلى منطقة الخطر للألة عندما تكون قيد التشغيل.

استخدم دائماً درج الوقاية عند تشغيل الآلة.

يجب إبلاغ المسؤولين أو الأشخاص المعيّنين بالسلامة بأية أخطاء تنتج عن الماكينة، ويشمل ذلك الأخطاء المتعلقة بالوقاية أو شفرات المنشار، وذلك بمجرد اكتشاف الخطأ.

لا تثبت واقي الحماية المتأرجح.

Copyright 2022
Techtronic Industries GmbH
Max-Eyth-Straße 10
71364 Winnenden
Germany
+49 (0) 7195-12-0
www.milwaukeeetool.eu

Techtronic Industries (UK) Ltd
Parkway
Marlow, SL7 1YL
UK

(12.22)

4931 4252 42