

Milwaukee®

Nothing but **HEAVY DUTY.**®



K 500 ST

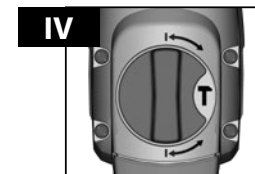
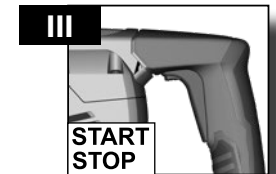
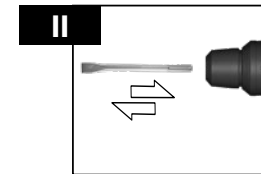
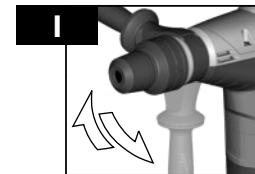

Original instructions
Originalbetriebsanleitung
Notice originale
Istruzioni originali
Manual original
Oorspronkelijke gebruiksaanwijzing
Original brugsanvisning
Original bruksanvisning
Bruksanvisning i original
Alkuperäiset ohjeet

Πρωτότυπο οδηγιών χρήσης
Orijinal işletme talimatı
Původním návodem k používání
Pôvodný návod na použitie
Instrukcją oryginalną
Eredeti használati utasítás
Izvirna navodila
Originalne pogonske upute
Instrukcijām oriģinālvalodā
Originali instrukcija

Algupärane kasutusjuhend
Оригинальное руководство по эксплуатации
Оригинално ръководство за експлоатация
Instrucțiuni de folosire originale
Оригинален прирачник за работа
Оригінал інструкції з експлуатації
التعليمات الأصلية

Technical Data, Safety Instructions, Specified Conditions of Use, EC-Declaration of Conformity, Mains connection, Maintenance, Symbols	Please read and save these instructions!	English	5
Technische Daten, Sicherheitshinweise, Bestimmungsgemäße Verwendung, CE-Konformitätserklärung, Netzanschluss, Wartung, Symbole	Bitte lesen und aufbewahren!	Deutsch	8
Caractéristiques techniques, Instructions de sécurité, Utilisation conforme aux prescriptions, Déclaration CE de Conformité, Branchement secteur, Entretien, Symboles	A lire et à conserver soigneusement	Français	11
Dati tecnici, Norme di sicurezza, Utilizzo conforme, Dichiarazione di Conformità CE, Collegamento alla rete, Manutenzione, Simboli	Si prega di leggere e conservare le istruzioni!	Italiano	14
Datos técnicos, Instrucciones de seguridad, Aplicación de acuerdo a la finalidad, Declaración de Conformidad CE, Conexión eléctrica, Mantenimiento, Símbolos	Lea y conserve estas instrucciones por favor!	Español	17
Características técnicas, Instruções de segurança, Utilização autorizada, Declaração de Conformidade CE, Ligação à rede, Manutenção, Símbolos	Por favor leia e conserve em seu poder!	Português	20
Technische gegevens, Veiligheidsadviezen, Voorgeschreven gebruik van het systeem, EC-Konformiteitsverklaring, Netaansluiting, Onderhoud, Symbolen	Lees en let goed op deze adviezen!	Nederlands	23
Tekniske data, Sikkerhedshenvisninger, Tiltænkt formål, CE-Konformitetserklæring, Nettetilslutning, Vedligeholdelse, Symboler	Vær venlig at læse og opbevare!	Dansk	26
Tekniske data, Spesielle sikkerhedshenvisninger, Formålmessig bruk, CE-Samsvarserklæring, Nettilkopling, Vedlikehold, Symboler	Vennligst les og oppbevar!	Norsk	29
Tekniska data, Säkerhetsutrustning, Använd maskinen Enligt anvisningarna, CEFörsäkran, Nätanslutning, Skötsel, Symboler	Läs igenom och spara!	Svenska	32
Tekniset arvot, Turvallisuusohjeet, Tarkoituksenmukainen käyttö, Todistus CE-standardinmukaisuudesta, Verkkoliitäntä, Huolto, Symbolit	Lue ja säilytä!	Suomi	35
Τεχνικά στοιχεία, Ειδικές υποδείξεις ασφαλείας, Χρήση σύμφωνα με το σκοπό προορισμού, Δήλωση πιστότητας ΕΚ, Μπαραίτες, Χαρακτηριστικά, Συντήρηση, Σύμβολα.	Παρακαλώ διαβάστε τις και φυλάξτε τις!	Ελληνικά	38
Teknik veriler, Güvenliğiniz için talimatlar, Kullanım, CE uygunluk beyanice, Şebeke bağlantısı, Bakım, Semboller	Lütfen okuyun ve saklayın	Türkçe	41
Technická data, Speciální bezpečnostní upozornění, Oblast využití, Ce-prohlášení o shodě, Připojení na síť, Údržba, Symboly	Po přečtení uschovejte	Česky	44
Technické údaje, Speciálne bezpečnostné pokyny, Použitie podl'a predpisov, CE-Vyhľadanie konformity, Sieťová prípojka, Údržba, Symboly	Prosím prečítať a uschovať!	Slovensky	47
Dane techniczne, Specjalne zalecenia dotyczące bezpiecznego użytkowania zgodnie z przeznaczeniem, Świadectwo zgodności ce, Podłączenie do sieci, Gwarancja, Symbole	Należy uważnie przeczytać i zachować do wglądu!	Polski	50
Műszaki adatok, Különleges biztonsági tudnivalók, Rendeltetésszerű használat, Ce-azonossági nyilatkozat, Hálózati csatlakoztatás, Karbantartás, Szimbólumok	Olvassa el és őrizze meg	Magyar	53
Tehnični podatki, Specialni varnostni napotki, Uporaba v skladu z namembnostjo, Ce-izjava o konformnosti, Omrežni priključek, Vzdrževanje, Simboli	Prosimo preberite in shranite!	Slovensko	56
Tehnički podaci, Specijalne sigurnosne upute, Propisna upotreba, CE-Izjava konformnosti, Priključak na mrežu, Održavanje, Simboli	Molimo pročitati i sačuvati	Hrvatski	59
Tehniskie dati, Speciālie drošības noteikumi, Noteikumiem atbilstošs izmantojums, Atbilstība CE normām, Tikla pieslēgums, Apkope, Simboli	Pielikums lietošanas pamācībai	Latviski	62
Techniniai duomenys, Ypatingos saugumo nuorodos, Naudojimas pagal paskirti, CE Atitikties pareiškimas, Elektros tinklo jungtis, Techninis aptarnavimas, Simboliai	Prašome perskaityti ir neišmesti!	Lietuviškai	65
Tehnilised andmed, Spetsiaalsed turvajuhted, Kasutamise vastavalt otstarbele, EÜ Vastavusavaldus, Võrku ühendamine, Hooldus, Sümbolid	Palun lugege läbi ja hoidke alal!	Eesti	71
Технические данные, Рекомендации по технике безопасности, Использование, Подключение к электросети, Обслуживание, Символы	Пожалуйста прочтите и сохраните эту инструкцию.	Русский	74
Технически данни, Специални указания за безопасност, Използване по предназначение, CE-Декларация за съответствие, Съвързване към мрежата, Поддръжка, Символи	Моля прочетете и запазете!	Български	77
Date tehnice, Instrucțiuni de securitate, Condiții de utilizare specificate, Declarație de conformitate, Accumulatori, Intreținere, Simboluri	Va rugăm citiți și păstrați aceste instrucțiuni	Română	80
Технички Податоци, Упатство За Употреба, Специфицирани Услови На Употреба, Еу-декларација За Сообразност, БАТЕРИИ, Одржување, Символи	Ве молиме прочитајте го и чувајте го ова упатство!	Македонски	83
Технічні характеристики, Вказівки З Техніки Безпеки, Використання за призначенням, Сертифікат Відповідності Вимогам Єс, Підключення до мережі, Обслуговування, Символи	Прочитайте та збережіть цю інструкцію.	Українська	88
تعليمات السلامة، شروط الاستخدام المحددة، توصيل الموصلات الرئيسية، إعلان المطابقة - الاتحاد الأوروبي، الصيانة، الرموز	يُرجى قراءة وحفظ هذه التعليمات!	العربية	88

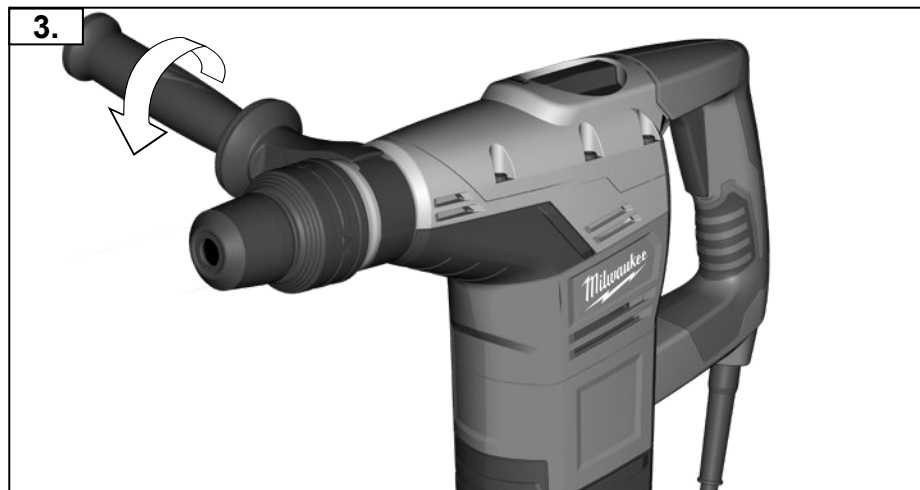
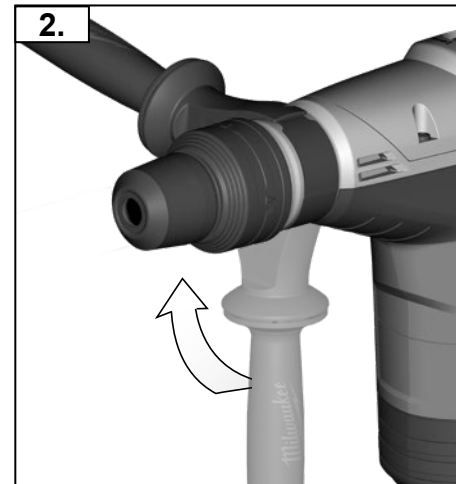
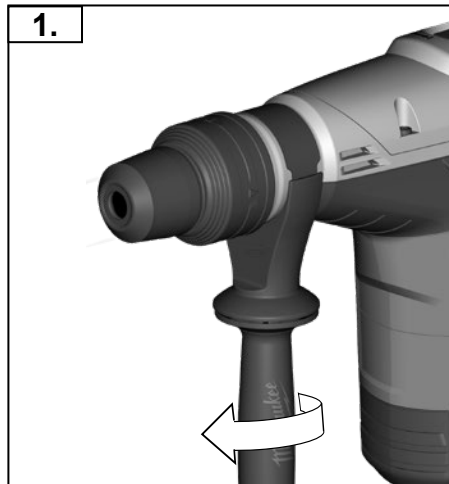
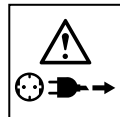
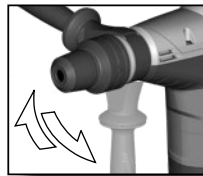


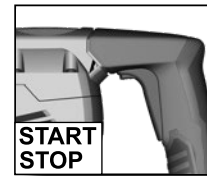
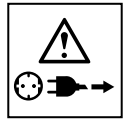
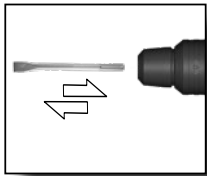



Accessory
Zubehör
Accessoires
Accessorio

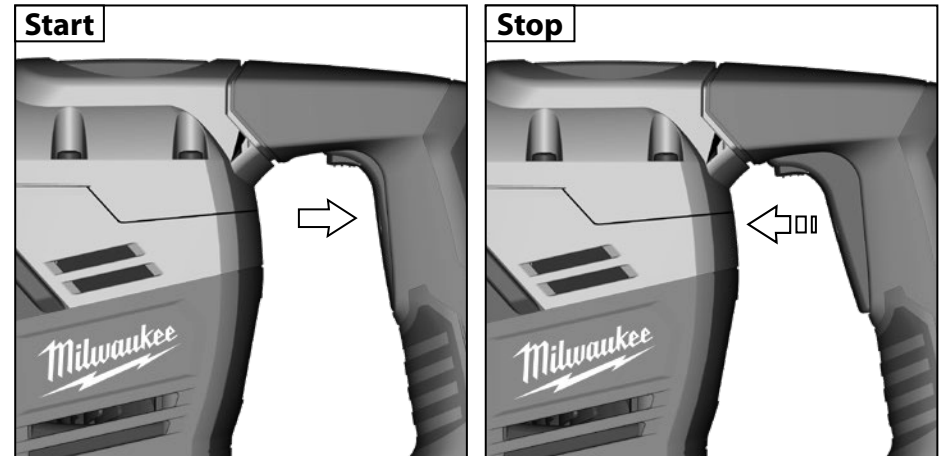
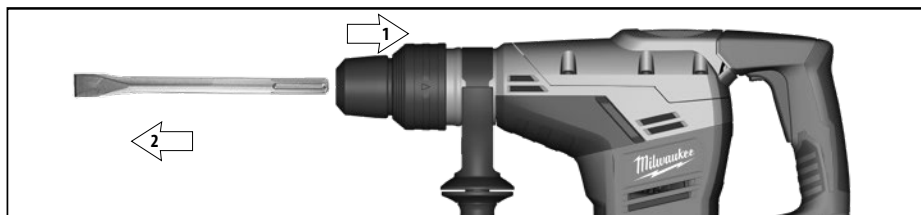
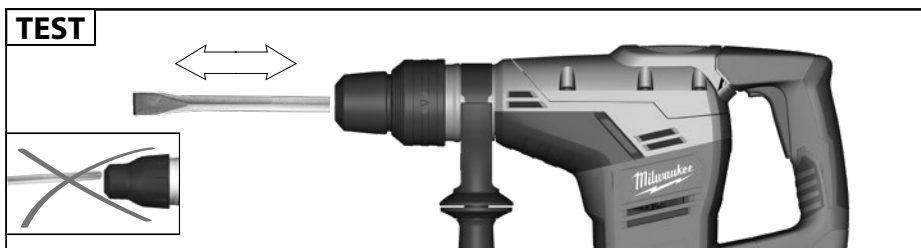
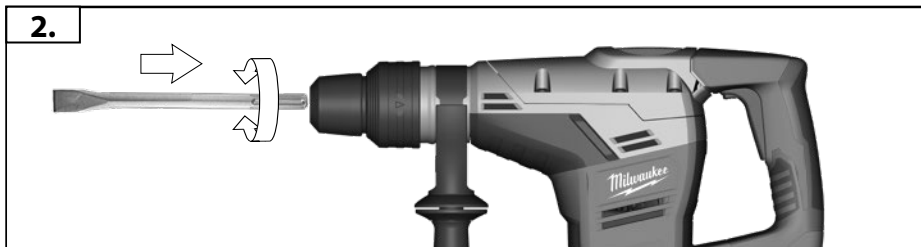
Accessorio • Acessório
Toebehoren • Tilbehør
Tilbehør • Tilbehør
Lisälaite • Εξαρτήματα
Akseuar • Pihluselstvi
Prisluženstv • Wyposażenie
Azokat a tartozékokat
Oprema • Piederumi
Priedas • Tarvikud
Дополнитель • Аксессуары
Accessorii • ополнителна
опрема • Комплектуючи
الملحوق



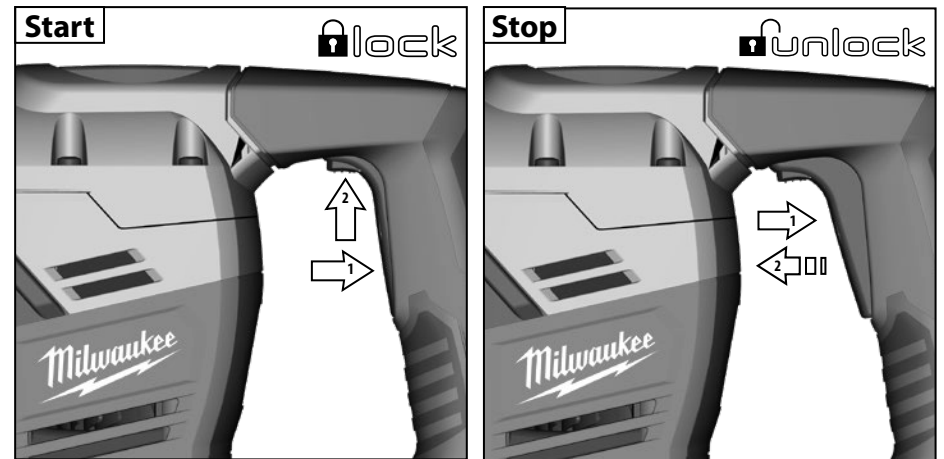


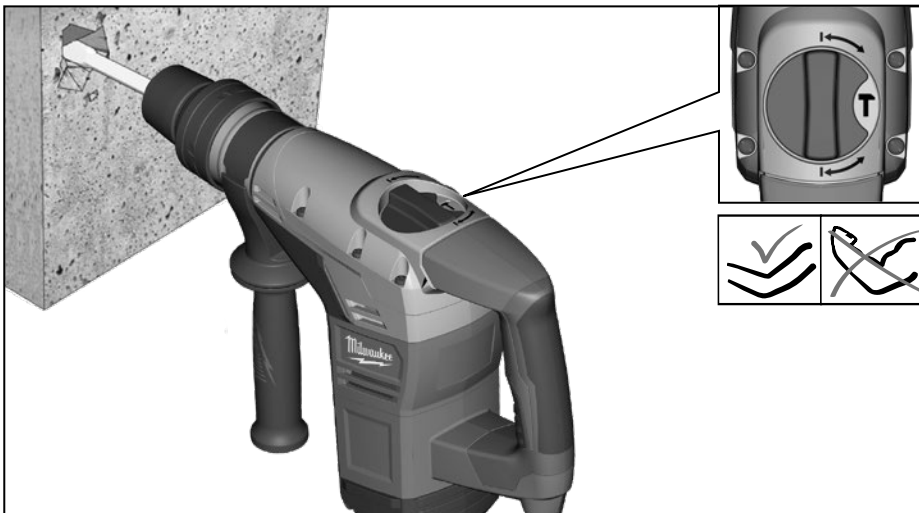
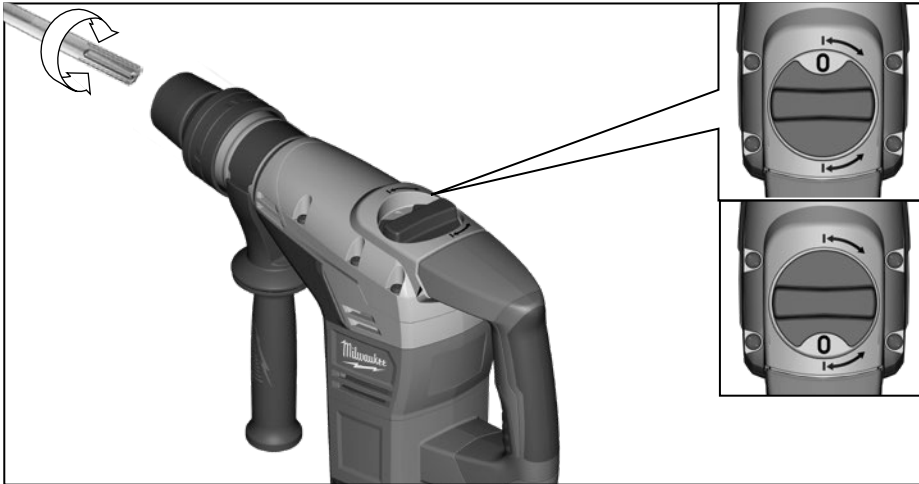
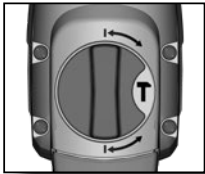


START
STOP



START
STOP





TECHNICAL DATA Chipping Hammer	K 500 ST 220-240 V	K 500 ST 110-120 V
Production code	4431 81 07... 4439 21 07... ... 000001-999999	4433 46 07... ... 000001-999999
Rated input	1100 W	1100 W
Output	550 W	550 W
Rate of percussion under load max.	3000 min ⁻¹	3000 min ⁻¹
Impact energy per stroke according to EPTA-Procedure 05/2009	7,5 J	7,5 J
Chuck neck diameter	66 mm	66 mm
Weight according EPTA-Procedure 01/2014	5,9 kg	5,9 kg
Noise information Measured values determined according to EN 62841. Typically, the A-weighted noise levels of the tool are:		
Sound pressure level (Uncertainty K=3dB(A))	97,0 dB (A)	94,0 dB (A)
Sound power level (Uncertainty K=3dB(A))	105,0 dB (A)	102,0 dB (A)
Wear ear protectors!		
Vibration information Vibration total values (triaxial vector sum) determined according to EN 62841		
Chiselling: Vibration emission value $a_{h, Cheq}$ Uncertainty K=	12,8 m/s ² 1,5 m/s ²	11,3 m/s ² 1,5 m/s ²

WARNING!

The vibration and noise emission level given in this information sheet has been measured in accordance with a standardized test given in EN 62841 and may be used to compare one tool with another. It may be used for a preliminary assessment of exposure.

The declared vibration and noise emission level represents the main applications of the tool. However if the tool is used for different applications, with different accessories or poorly maintained, the vibration and noise emission may differ. This may significantly increase the exposure level over the total working period.

An estimation of the level of exposure to vibration and noise should also take into account the times when the tool is switched off or when it is running but not actually doing the job. This may significantly reduce the exposure level over the total working period.

Identify additional safety measures to protect the operator from the effects of vibration and/or noise such as: maintain the tool and the accessories, keep the hands warm, organization of work patterns.

⚠ WARNING Read all safety warnings, instructions, illustrations and specifications provided with this power tool. Failure to follow the warnings and instructions may result in electric shock, fire and/or serious injury.
Save all warnings and instructions for future reference.

⚠ HAMMER SAFETY WARNINGS

Safety instructions for all operations

Wear ear protectors. Exposure to noise can cause hearing loss.

Use auxiliary handle(s), if supplied with the tool. Loss of control can cause personal injury.

Hold the power tool by insulated gripping surfaces, when performing an operation where the cutting accessory may contact hidden wiring or its own cord. Cutting accessory contacting a "live" wire may make exposed metal parts of the power tool "live" and could give the operator an electric shock.

Safety instructions when using long drill bits with rotary hammer
Always start drilling at low speed and with the bit tip in contact with the workpiece. At higher speeds, the bit is likely to bend if allowed to rotate freely without contacting the workpiece, resulting in personal injury.

Apply pressure only in direct line with the bit and do not apply excessive pressure. Bits can bend causing breakage or loss of control, resulting in personal injury.

Additional Safety and Working Instructions

Use personal protective equipment. Always wear eye protection. Protective equipment such as a dust mask, non-skid safety shoes, hard hat or hearing protection used for appropriate conditions will reduce personal injuries.

The dust produced when using this tool may be harmful to health. Do not inhale the dust. Use a dust absorption system and wear a suitable dust protection mask. Remove deposited dust thoroughly, e.g. with a vacuum cleaner.

Do not machine any materials that present a danger to health (e.g. asbestos).

When working in walls ceiling, or floor, take care to avoid electric cables and gas or waterpipes.

Clamp your workpiece with a clamping device. Unclamped workpieces can cause severe injury and damage.

Keep mains lead clear from working range of the machine. Always lead the cable away behind you.

Switch the device off immediately if the insertion tool stalls! Do not switch the device on again while the insertion tool is stalled, as



doing so could trigger a sudden recoil with a high reactive force. Determine why the insertion tool stalled and rectify this, paying heed to the safety instructions.

Possible causes may be:

- it is tilted in the workpiece to be machined
- breakage of the material to be used
- the power tool is overloaded

Do not reach into the machine while it is running.

The insertion tool is sharp-edged and can become hot during use. **WARNING!** Danger of cuts and burns

- when handling the insertion tools
- when setting the device down

Wear protective gloves when handling insertion tools.

Chips and splinters must not be removed while the machine is running.

Always disconnect the plug from the socket before carrying out any work on the machine.

OPERATION

Cold Starting

If this tool is stored for a long period of time or at cold temperatures, it may not hammer initially because the lubrication has become stiff.

To warm up the tool

1. Insert and lock a bit or chisel into the tool.
2. Pull the trigger and apply force to the bit or chisel against a concrete or wood surface for a few seconds. Release the trigger.
3. Repeat until the tool starts hammering. The colder the tool is, the longer it will take to warm up.

SPECIFIED CONDITIONS OF USE

The hammer can be used for chiselling in stone and concrete.

MAINS CONNECTION

Appliances used at many different locations including wet room and open air must be connected via a residual current device (FI, RCD, PRCD) of 30mA or less.

Connect only to single-phase AC system voltage as indicated on the rating plate. It is also possible to connect to sockets without an earthing contact as the design conforms to safety class II.

Only plug-in when machine is switched off.

MAINTENANCE

The ventilation slots of the machine must be kept clear at all times.

If the supply cord of this appliance is damaged, it must only be replaced by a repair shop appointed by the manufacturer, to avoid hazardous situations.

Use only Milwaukee accessories and Milwaukee spare parts. Should components need to be replaced which have not been described, please contact one of our Milwaukee service agents (see our list of guarantee/service addresses).

If needed, an exploded view of the tool can be ordered. Please state the Article No. as well as the machine type printed on the label and order the drawing at your local service agents or directly at: Techtronic Industries GmbH, Max-Eyth-Straße 10, 71364 Winnenden, Germany.

SYMBOLS



Please read the instructions carefully before starting the machine.



CAUTION! WARNING! DANGER!



Always disconnect the plug from the socket before carrying out any work on the machine.



Always wear goggles when using the machine.



Wear ear protectors.



Wear a suitable dust protection mask.



Wear gloves!



Accessory - Not included in standard equipment.



Do not dispose of waste electrical and electronic equipment as unsorted municipal waste. Waste electrical and electronic equipment must be collected separately. Waste light sources have to be removed from equipment. Check with your local authority or retailer for recycling advice and collection point. According to local regulations, retailers may have an obligation to take back waste electrical and electronic equipment free of charge. Your contribution to re-use and recycling of waste electrical and electronic equipment helps to reduce the demand of raw materials. Waste electrical and electronic equipment contain valuable, recyclable materials, which can adversely impact the environment and the human health, if not disposed of in an environmentally compatible manner. Delete personal data from waste equipment, if any.



Class II tool. Tool in which protection against electric shock does not rely on basic insulation only, but in which additional safety precautions, such as double insulation or reinforced insulation, are provided. There being no provision for protective earthing or reliance upon installation conditions.

n_0

No-load speed

V

Voltage



AC Current



European Conformity Mark



British Conformity Mark



Ukraine Conformity Mark



EurAsian Conformity Mark

EC-DECLARATION OF CONFORMITY

We declare under our sole responsibility that the product described under "Technical Data" fulfills all the relevant provisions of the directives 2011/65/EU (RoHS) 2006/42/EC 2014/30/EU and the following harmonized standards have been used

EN 62841-1+A11:2022
EN 62841-2-6:2020 +A11:2020
EN IEC 55014-1:2021
EN IEC 55014-2:2021
EN IEC 61000-3-2:2019+A1:2021
EN 61000-3-3:2013+A1:2019+A2:2021
EN IEC 63000:2018

Measured values determined according to 2000/14/EC at the user's ear. Conformity assessment procedure according to Annex VI.

EU Notified Body:

DEKRA Testing and Certification GmbH,
Handwerkstraße 15, 70565 Stuttgart
Location Certification Body, Dinnendahlstr. 9, 44809 Bochum, Germany
Notified Body number: 0158

Measured sound power level: 97,6 dB (A)

Guaranteed sound power level: 100,0 dB (A)



Winnenden, 2023-01-20

Alexander Krug / Managing Director
Authorized to compile the technical file

Techtronic Industries GmbH
Max-Eyth-Straße 10, 71364 Winnenden, Germany

GB-DECLARATION OF CONFORMITY

We declare as the manufacturer under our sole responsibility that the product described under „Technical Data“ fulfills all the relevant provisions of the following Regulations S.I. 2012/3032 (as amended), S.I. 2008/1597 (as amended), S.I. 2016/1091 (as amended) and that the following designated standards have been used:

BS EN 62841-1+A11:2022
BS EN 62841-2-6:2020 +A11:2020
BS EN IEC 55014-1:2021
BS EN IEC 55014-2:2021
BS EN IEC 61000-3-2:2019+A1:2021
BS EN 61000-3-3:2013+A1:2019+A2:2021
BS EN IEC 63000:2018

Measured values determined according to 2000/14/EC at the user's ear. Conformity assessment procedure according to Annex VI.

EU Notified Body:

DEKRA Testing and Certification GmbH,
Handwerkstraße 15, 70565 Stuttgart
Location Certification Body, Dinnendahlstr. 9, 44809 Bochum, Germany
Notified Body number: 0158

Measured sound power level: 97,6 dB (A)

Guaranteed sound power level: 100,0 dB (A)



Winnenden, 2023-01-20

Alexander Krug / Managing Director
Authorized to compile the technical file

Techtronic Industries (UK) Ltd
Parkway
Marlow SL7 1YL
UK
Techtronic Industries GmbH
Max-Eyth-Straße 10, 71364 Winnenden, Germany

TECHNISCHE DATEN Meißelhammer	K 500 ST 220-240 V	K 500 ST 110-120 V
Produktionsnummer	4431 81 07... 4439 21 07... ... 000001-999999	4433 46 07... ... 000001-999999
Nennaufnahmeleistung	1100 W	1100 W
Abgabeleistung	550 W	550 W
Lastschlagzahl max.	3000 min ⁻¹	3000 min ⁻¹
Einzelschlagstärke entsprechend EPTA-Procedure 05/2009	7,5 J	7,5 J
Spannhals-Durchmesser	66 mm	66 mm
Gewicht nach EPTA-Prozedur 01/2014	5,9 kg	5,9 kg
Geräuschinformation Messwerte ermittelt entsprechend EN 62841. Der A-bewertete Geräuschpegel des Gerätes beträgt typischerweise:		
Schalldruckpegel (Unsicherheit K=3dB(A))	97,0 dB (A)	94,0 dB (A)
Schallleistungspegel (Unsicherheit K=3dB(A))	105,0 dB (A)	102,0 dB (A)
Gehörschutz tragen!		
Vibrationsinformationen Schwingungsgesamtwerte (Vektorsumme dreier Richtungen) ermittelt entsprechend EN 62841.		
Meißeln: Schwingungsemissionswert a _{h, cheq} Unsicherheit K=	12,8 m/s ² 1,5 m/s ²	11,3 m/s ² 1,5 m/s ²

WARNUNG!

Die angegebenen Schwingungsgesamtwerte und Geräuschemissionswerte wurden nach einem genormten Messverfahren gemäß EN 62841 gemessen und können für den Vergleich von Elektrowerkzeugen miteinander verwendet werden. Sie können für eine vorläufige Einschätzung der Belastung verwendet werden.

Der angegebene Schwingungs- und Geräuschemissionspegel repräsentiert die hauptsächlichen Anwendungen des Elektrowerkzeugs. Wenn allerdings das Elektrowerkzeug für andere Anwendungen, mit abweichenden Einsatzwerkzeugen oder ungenügender Wartung eingesetzt wird, können sich die Schwingungs- und Geräuschemissionen unterscheiden. Dies kann deren Wirkung über den gesamten Arbeitszeitraum deutlich erhöhen.

Bei der Abschätzung der Belastung durch Schwingungen und Lärm sollten auch die Zeiten berücksichtigt werden, in denen das Elektrowerkzeug ausgeschaltet ist oder zwar läuft, aber keine tatsächliche Arbeit verrichtet wird. Dies kann deren Wirkung über den gesamten Arbeitszeitraum deutlich reduzieren.

Legen Sie zusätzliche Sicherheitsmaßnahmen zum Schutz des Bedieners vor den Auswirkungen von Schwingungen- und / oder Lärm fest, wie z. B.: Wartung des Werkzeugs und des Zubehörs, Warmhalten der Hände, Organisation der Arbeitsabläufe.

⚠️ WARNUNG Lesen Sie alle Sicherheitshinweise, Anweisungen, Bilderungen und technischen Daten, mit denen dieses Elektrowerkzeug versehen ist. Versäumnisse bei der Einhaltung der Sicherheitshinweise und Anweisungen können elektrischen Schlag, Brand und/oder schwere Verletzungen verursachen.
Bewahren Sie alle Sicherheitshinweise und Anweisungen für die Zukunft auf.

⚠️ SICHERHEITSHINWEISE FÜR HÄMMER

Sicherheitshinweise für alle Arbeiten

Tragen Sie Gehörschutz. Die Einwirkung von Lärm kann Gehörverlust bewirken.

Benutzen Sie mit dem Gerät gelieferte Zusatzhandgriffe. Der Verlust der Kontrolle kann zu Verletzungen führen.

Halten Sie das Gerät an den isolierten Griffflächen, wenn Sie Arbeiten ausführen, bei denen das Einsatzwerkzeug verborgene Stromleitungen oder das eigene Netzkabel treffen kann. Der Kontakt mit einer spannungsführenden Leitung kann auch metallene Geräteteile unter Spannung setzen und zu einem elektrischen Schlag führen.

Sicherheitshinweise für die Verwendung des Bohrhammers mit langen Bohrern

Starten Sie immer mit einer niedrigen Drehzahl und während sich der Bohreinsatz in Kontakt mit dem Werkstück befindet. Bei höheren Drehzahlen kann sich der Bohreinsatz verbiegen, wenn er ohne Kontakt zum Werkstück dreht, was zu Verletzungen führen kann.

Üben Sie keinen übermäßigen Druck und nur in Längsrichtung zum Bohrer aus. Bohrer können sich verbiegen und dadurch brechen oder zu einem Verlust der Kontrolle und zu Verletzungen führen.

Weitere Sicherheits- und Arbeitshinweise

Tragen Sie persönliche Schutzausrüstung und immer eine Schutzbrille. Das Tragen persönlicher Schutzausrüstung, wie Staubmaske, rutschfeste Sicherheitsschuhe, Schutzhelm oder Gehörschutz, je nach Art und Einsatz des Elektrowerkzeuges, verringert das Risiko von Verletzungen.

Beim Arbeiten entstehender Staub ist oft gesundheitsschädlich und sollte nicht in den Körper gelangen. Staubabsaugung verwenden und zusätzlich geeignete Staubschutzmaske tragen. Abgelagerten Staub gründlich entfernen, z.B. Aufsaugen.

Es dürfen keine Materialien bearbeitet werden, von denen eine Gesundheitsgefährdung ausgeht (z.B. Asbest).

Beim Arbeiten in Wand, Decke oder Fußboden auf elektrische Kabel, Gas- und Wasserleitungen achten.

Sichern Sie Ihr Werkstück mit einer Spannvorrichtung. Nicht gesicherte Werkstücke können schwere Verletzungen und Beschädigungen verursachen.

Anschlusskabel stets vom Wirkungsbereich der Maschine fernhalten. Kabel immer nach hinten von der Maschine wegführen.

Beim Blockieren des Einsatzwerkzeuges bitte das Gerät sofort ausschalten! Schalten Sie das Gerät nicht wieder ein, solange das Einsatzwerkzeug blockiert ist; hierbei könnte ein Rückschlag mit hohem Reaktionsmoment entstehen. Ermitteln und beheben Sie die Ursache für die Blockierung des Einsatzwerkzeuges unter Berücksichtigung der Sicherheitshinweise.

Mögliche Ursachen dafür können sein:

- Verkanten im zu bearbeitenden Werkstück
- Durchbrechen des zu bearbeitenden Materials
- Überlasten des Elektrowerkzeuges

Greifen Sie nicht in die laufende Maschine.

Das Einsatzwerkzeug ist scharfkantig und kann während der Anwendung heiß werden.

WARNUNG! Schnitt- und Verbrennungsgefahr

- bei Handhabung der Einsatzwerkzeuge

- bei Ablegen des Gerätes

Bei der Handhabung der Einsatzwerkzeuge Schutzhandschuhe tragen.

Späne oder Splitter dürfen bei laufender Maschine nicht entfernt werden.

Vor allen Arbeiten an der Maschine den Stecker aus der Steckdose ziehen.

BEDIENUNG

Kaltstart

Wenn dieses Werkzeug über einen längeren Zeitraum oder bei kalten Temperaturen aufbewahrt wurde, kann es sein, dass es nicht sofort die Hammerfunktion ausführt, da die Schmierung steif geworden ist.

Aufwärmen des Gerätes

1. Setzen Sie ein Bit oder einen Meißel in das Werkzeug ein und betätigen Sie die Verriegelung.
2. Drücken Sie den Ein-Aus-Schalter und setzen Sie das Bit oder den Meißel einige Sekunden mit Druck auf einer Beton- oder Holzoberfläche an. Lassen Sie dann den Ein-Aus-Schalter wieder los.
3. Wiederholen Sie diesen Vorgang, bis die Hammerfunktion des Geräts startet. Je kälter das Werkzeug ist, desto länger dauert es, bis es aufgewärmt ist.

BESTIMMUNGSGEMÄSSE VERWENDUNG

Der Meißelhammer ist einsetzbar zum Meißeln in Gestein und Beton

NETZANSCHLUSS

Steckdosen in Feuchträumen und Außenbereichen müssen mit Fehlerstrom-Schutzschaltern (FI, RCD, PRCD) ausgerüstet sein. Das verlangt die Installationsvorschrift für Ihre Elektroanlage. Bitte beachten Sie das bei der Verwendung unseres Gerätes.

Nur an Einphasen-Wechselstrom und nur an die auf dem Leistungsschild angegebene Netzspannung anschließen. Anschluss ist auch an Steckdosen ohne Schutzkontakt möglich, da ein Aufbau der Schutzklasse II vorliegt.

Maschine nur ausgeschaltet an die Steckdose anschließen.

WARTUNG

Stets die Lüftungsschlitze der Maschine sauber halten.

Wenn die Netzanschlussleitung beschädigt ist, muss diese durch eine Kundendienststelle ausgewechselt werden, um Gefährdungen zu vermeiden.

Nur Milwaukee Zubehör und Milwaukee Ersatzteile verwenden. Bauteile, deren Austausch nicht beschrieben wurde, bei einer Milwaukee Kundendienststelle auswechseln lassen (Broschüre Garantie/Kundendienstadressen beachten).

Bei Bedarf kann eine Explosionszeichnung des Gerätes unter Angabe der Maschinen Type und der sechsstelligen Nummer auf dem Leistungsschild bei Ihrer Kundendienststelle oder direkt bei Techtronic Industries GmbH, Max-Eyth-Straße 10, 71364 Winnenden, Germany angefordert werden.

SYMBOLE



Bitte lesen Sie die Gebrauchsanweisung vor Inbetriebnahme sorgfältig durch.



ACHTUNG! WARNUNG! GEFAHR!



Vor allen Arbeiten an der Maschine den Stecker aus der Steckdose ziehen.



Beim Arbeiten mit der Maschine stets Schutzbrille tragen.



Tragen Sie Gehörschutz.



Geeignete Staubschutzmaske tragen.



Schutzhandschuhe tragen!



Zubehör - Im Lieferumfang nicht enthalten.



Elektro- und Elektronik-Altgeräte dürfen nicht zusammen mit dem Hausmüll entsorgt werden. Elektro- und Elektronik-Altgeräte sind getrennt zu sammeln und zu entsorgen. Entfernen Sie Leuchtmittel vor dem Entsorgen aus den Geräten. Erkundigen Sie sich bei den örtlichen Behörden oder bei Ihrem Fachhändler nach Recyclinghöfen und Sammelstellen. Je nach den örtlichen Bestimmungen können Einzelhändler verpflichtet sein, Elektro- und Elektronik-Altgeräte kostenlos zurückzunehmen. Tragen Sie durch Wiederverwendung und Recycling Ihrer Elektro- und Elektronik-Altgeräte dazu bei, den Bedarf an Rohmaterialien zu verringern. Elektro- und Elektronik-Altgeräte enthalten wertvolle, wiederverwertbare Materialien, die bei nicht umweltgerechter Entsorgung negative Auswirkungen auf die Umwelt und Ihre Gesundheit haben können. Löschen Sie vor der Entsorgung möglicherweise auf Ihrem Altgerät vorhandene personenbezogene Daten.



Elektrowerkzeug der Schutzklasse II. Elektrowerkzeug, bei dem der Schutz vor einem elektrischen Schlag nicht nur von der Basisisolierung abhängt, sondern auch davon, dass zusätzliche Schutzmaßnahmen, wie doppelte Isolierung oder verstärkte Isolierung, angewendet werden. Es gibt keine Vorrichtung zum Anschluss eines Schutzleiters.



CE-KONFORMITÄTSEKKLÄRUNG

Wir erklären in alleiniger Verantwortung, dass das unter „Technische Daten“ beschriebene Produkt mit allen relevanten Vorschriften der Richtlinien

2011/65/EU (RoHS)
2006/42/EG
2014/30/EU

und den folgenden harmonisierten normativen Dokumenten übereinstimmt

EN 62841-1+A11:2022
EN 62841-2-6:2020 +A11:2020
EN IEC 55014-1:2021
EN IEC 55014-2:2021
EN IEC 61000-3-2:2019+A1:2021
EN 61000-3-3:2013+A1:2019+A2:2021
EN IEC 63000:2018

Messwerte ermittelt entsprechend 2000/14/EG am Ohr des Benutzers. Konformitätsbewertungsverfahren gemäß Annex VI.

EU Benannte Stelle:
DEKRA Testing and Certification GmbH,
Handwerkstraße 15, 70565 Stuttgart
Location Certification Body, Dinnendahlstr. 9, 44809 Bochum,
Germany
Benannte Stelle Nummer: 0158

Gemessener Schallleistungspegel: 97,6 dB (A)

Garantierter Schallleistungspegel: 100,0 dB (A)



Alexander Krug

Alexander Krug / Managing Director
Bevollmächtigt die technischen Unterlagen zusammenzustellen.

Techtronic Industries GmbH
Max-Eyth-Straße 10, 71364 Winnenden, Germany

Deutsch

CARACTÉRISTIQUES TECHNIQUES Burineur	K 500 ST 220-240 V	K 500 ST 110-120 V
Numéro de série	4431 81 07... 4439 21 07... ... 000001-999999	4433 46 07... ... 000001-999999
Puissance nominale de réception	1100 W	1100 W
Puissance utile	550 W	550 W
Perçage à percussion en charge max.	3000 min ⁻¹	3000 min ⁻¹
Puissance de frappe individuelle suivant EPTA-Procédure 05/2009	7,5 J	7,5 J
Ø du collier de serrage	66 mm	66 mm
Poids suivant EPTA-Procédure 01/2014	5,9 kg	5,9 kg
Informations sur le bruit Valeurs de mesure obtenues conformément à la EN 62841. Les mesures réelles (des niveaux acoustiques de l'appareil) sont :		
Niveau de pression acoustique (Incertitude K=3dB(A))	97,0 dB (A)	94,0 dB (A)
Niveau d'intensité acoustique (Incertitude K=3dB(A))	105,0 dB (A)	102,0 dB (A)
Toujours porter une protection acoustique!		
Informations sur les vibrations Valeurs totales des vibrations (somme vectorielle de trois sens) établies conformément à EN 62841.		
Burinage: Valeur d'émission vibratoire a _{h, Cheq} Incertitude K=	12,8 m/s ² 1,5 m/s ²	11,3 m/s ² 1,5 m/s ²

AVERTISSEMENT!

Le niveau de vibration et d'émissions sonores indiqué dans cette fiche de données a été mesuré en respect d'une méthode standard de test selon la norme EN 62841 et peut être utilisé pour comparer les outils entre eux. Il peut être utilisé pour évaluation préliminaire de l'exposition.

Le niveau de vibration et d'émissions sonores déclaré correspond à l'application principale de l'outil. Cependant, si l'outil est utilisé pour des applications différentes, avec différents accessoires ou est mal entretenu, les vibrations et les émissions sonores peuvent différer. Cela peut augmenter considérablement le niveau d'exposition au cours de la période de travail totale.

Une estimation du niveau d'exposition aux vibrations et au bruit devrait également tenir compte des temps d'arrêt de l'outil ou des périodes où il est en marche mais n'effectue pas réellement le travail. Cela peut réduire considérablement le niveau d'exposition au cours de la période de travail totale.

Identifier des mesures de sécurité supplémentaires pour protéger l'opérateur des effets des vibrations et/ou du bruit tels que : l'entretien de l'outil et des accessoires, le maintien au chaud des mains, l'organisation des processus de travail.

AVERTISSEMENT Lisez toutes les consignes de sécurité, instructions, présentations et données que vous recevez avec l'appareil. Le non-respect des avertissements et instructions indiqués ci après peut entraîner un choc électrique, un incendie et/ou de graves blessures sur les personnes.
Bien garder tous les avertissements et instructions.

CONSIGNES DE SÉCURITÉ POUR MARTEAU ROTATIF
Consignes de sécurité à suivre pour tous les types d'applications

Portez une protection acoustique. L'exposition au bruit pourrait provoquer une diminution de l'ouïe.

Utilisez les poignées supplémentaires livrées en même temps que l'appareil. La perte de contrôle peut mener à des blessures.

Tenir l'outil uniquement par les surfaces de préhension isolantes, pendant les opérations au cours desquelles l'accessoire coupant peut être en contact avec des conducteurs cachés ou avec son propre câble. Le contact de l'outil de coupe avec un câble qui conduit la tension peut mettre les pièces

métalliques de l'appareil sous tension et mener à une décharge électrique.

Consignes de sécurité pour l'utilisation du marteau perforateur avec des forets longs

Toujours commencer le fraisage à vitesse basse et avec la pointe de la mèche en contact avec la pièce à travailler. Si une vitesse supérieure est appliquée, alors la mèche peut se tordre si elle tourne librement sans être en contact avec la pièce travaillée et peut blesser l'opérateur.

Appliquer la pression uniquement en ligne droite dans l'axe de la mèche et ne pas appliquer une pression trop importante. Les mèches peuvent se tordre, casser et entraîner une perte de contrôle et des blessures.

Avis complémentaires de sécurité et de travail

Utiliser un équipement de sécurité. Toujours porter une protection pour les yeux. Les équipements de sécurité tels que les masques contre les poussières, les chaussures de sécurité antidérapantes, les casques ou les protections acoustiques utilisés pour les conditions appropriées réduiront les blessures de personnes.

Français

Les poussières dégagées lors du travail sont souvent nocives et ne devraient pas pénétrer dans le corps. Utiliser un dispositif d'aspiration de poussières et porter en plus un masque de protection approprié. Éliminer soigneusement les dépôts de poussières, p. ex. en les aspirant au moyen d'un système d'aspiration de copeaux.

Il est interdit de travailler des matériaux dangereux pour la santé (par ex. amiante).

Lors du perçage dans les murs, les plafonds ou les planchers, toujours faire attention aux câbles électriques et aux conduites de gaz et d'eau.

Fixer fermement la pièce en exécution à l'aide d'un dispositif de serrage. Des pièces en exécution non fermement fixées peuvent provoquer des dommages et des lésions graves.

Le câble d'alimentation doit toujours se trouver en dehors du champ d'action de la machine. Toujours maintenir le câble d'alimentation à l'arrière de la machine.

Désactiver immédiatement le dispositif en cas de blocage ! Ne pas réactiver le dispositif avec l'outil bloqué; il y a le risque de provoquer un contrecoup avec moment de réaction élevé. Établir et éliminer la cause du blocage de l'outil en prêtant attention aux consignes de sécurité.

Les causes possibles sont :

- Encastrement dans la pièce à travailler.
- Le dispositif a traversé le matériau à travailler en le cassant.
- Le dispositif électrique a été surchargé.

Ne pas approcher les mains de la partie en mouvement de la machine.

L'outil d'insertion présente des arêtes vives et peut devenir chaud pendant son utilisation.

AVERTISSEMENT ! Risque de coupures et de brûlures

- lors de la manipulation des outils d'insertion
- durant la dépose de l'outil

Lors de la manipulation des outils d'insertion, portez des gants de protection.

Ne jamais enlever les copeaux ni les éclats lorsque la machine est en marche.

Avant tous travaux sur la machine extraire la fiche de la prise de courant.

FONCTIONNEMENT

Démarrage à froid

Si cet outil est stocké pendant une longue période ou à des températures froides, il peut ne pas marteler au départ parce que la lubrification est devenue rigide.

Pour réchauffer l'outil

1. Insérer et verrouiller un foret ou un burin dans l'outil.
2. Appuyer sur l'interrupteur marche-arrêt et appliquer une force sur la mèche ou burin contre une surface en béton ou en bois pendant quelques secondes. Relâcher l'interrupteur marche-arrêt.
3. Répéter l'opération jusqu'à ce que l'outil commence à marteler. Plus l'outil est froid, plus il faudra de temps pour le réchauffer.

UTILISATION CONFORME AUX PRESCRIPTIONS

Le brise-béton peut-être utilisé pour de gros travaux de burinage dans la maçonnerie et de béton

BRANCHEMENT SECTEUR

Les prises de courant se trouvant à l'extérieur doivent être équipées de disjoncteurs différentiel (FI, RCD, PRCD) conformément aux prescriptions de mise en place de votre installation électrique. Veuillez en tenir compte lors de l'utilisation de notre appareil.

Raccorder uniquement à un courant électrique monophasé et uniquement à la tension secteur indiquée sur la plaque signalétique. Le raccordement à des prises de courant sans contact de protection est également possible car la classe de protection II est donnée.

Ne raccorder la machine au réseau que si l'interrupteur est en position arrêté.

ENTRETIEN

Tenir toujours propres les orifices de ventilation de la machine.

Si le remplacement du câble d'alimentation est nécessaire, cela doit être réalisé par le fabricant ou son agent pour éviter un danger.

Utiliser uniquement les accessoires Milwaukee et les pièces détachées Milwaukee. Faire remplacer les composants dont le remplacement n'a pas été décrit, par un des centres de service après-vente Milwaukee (observer la brochure avec les adresses de garantie et de service après-vente).

Si besoin est, une vue éclatée de l'appareil peut être fournie.

S'adresser, en indiquant bien le numéro porté sur la plaque signalétique, à votre station de service après-vente (voir liste jointe) ou directement à Techtronic Industries GmbH, Max-Eyth-Straße 10, 71364 Winnenden, Germany.

SYMBOLES



Veillez lire avec soin le mode d'emploi avant la mise en service



ATTENTION! AVERTISSEMENT! DANGER!



Avant tous travaux sur la machine extraire la fiche de la prise de courant.



Toujours porter des lunettes protectrices en travaillant avec la machine.



Portez une protection acoustique.



Porter un masque de protection approprié contre les poussières.



Porter des gants de protection!



Accessoires - Ces pièces ne font pas partie de la livraison.



Les déchets d'équipements électriques et électroniques (DEEE) ne sont pas à éliminer dans les déchets ménagers. Les déchets d'équipements électriques et électroniques doivent être collectés et éliminer séparément. Retirez les ampoules des appareils avant de les jeter. S'adresser aux autorités locales ou au détaillant spécialisé en vue de connaître l'emplacement des centres de recyclage et des points de collecte. Selon les réglementations locales, les détaillants peuvent être tenus de reprendre gratuitement les déchets de piles et les déchets d'équipements électriques et électroniques. Contribuez à réduire la demande de matières premières en réutilisant et en recyclant vos déchets d'équipements électriques et électroniques. Les déchets d'équipements électriques et électroniques comportent des matériaux précieux et recyclables qui peuvent avoir des impacts négatifs sur l'environnement et sur votre santé s'ils ne sont pas éliminés de manière écologique. Avant de mettre au rebut votre ancien appareil, supprimez les données personnelles qui pourraient s'y trouver.



Outil électrique en classe de protection II. Outil électrique équipé d'une protection contre la fulguration électrique qui ne dépend seulement de l'isolation de base mais aussi de l'application d'autres mesures de protection telles qu'une double isolation ou une isolation augmentée. La connexion d'un conducteur de protection n'est pas prédisposée.



Vitesse de rotation à vide



Tension



Courant alternatif



Marque de conformité européenne



Marque de conformité britannique



Marque de conformité ukrainienne



Marque de conformité d'Eurasie

DÉCLARATION CE DE CONFORMITÉ

Nous déclarons, sous notre responsabilité exclusive, que le produit décrit ici dans les « Caractéristiques techniques » satisfait à toutes les dispositions pertinentes des directives

2011/65/UE (RoHS)

2006/42/CE

2014/30/UE

et que les normes harmonisées suivantes ont été appliquées

EN 62841-1+A11:2022

EN 62841-2-6:2020 +A11:2020

EN IEC 55014-1:2021

EN IEC 55014-2:2021

EN IEC 61000-3-2:2019+A1:2021

EN 61000-3-3:2013+A1:2019+A2:2021

EN IEC 63000:2018

Valeurs mesurées suivant 2000/14/CE sur l'oreille de l'utilisateur. Procédures d'évaluation de la conformité suivant l'annexe VI.

EU Organisme notifié:
DEKRA Testing and Certification GmbH,
Handwerkstraße 15, 70565 Stuttgart

Location Certification Body, Dinnendahlstr. 9, 44809 Bochum,
Germany

Organisme notifié Numéro: 0158

Niveau de puissance acoustique mesuré: 97,6 dB (A)

Niveau de puissance acoustique garanti: 100,0 dB (A)



Winnenden, 2023-01-20

Alexander Krug / Managing Director

Autorisé à compiler la documentation technique.

Techtronic Industries GmbH

Max-Eyth-Straße 10, 71364 Winnenden, Germany

DATI TECNICI Martelli demolitori	K 500 ST 220-240 V	K 500 ST 110-120 V
Numero di serie	4431 81 07... 4439 21 07... ... 000001-999999	4433 46 07... ... 000001-999999
Potenza assorbita nominale	1100 W	1100 W
Potenza erogata	550 W	550 W
Percussione a pieno carico max.	3000 min ⁻¹	3000 min ⁻¹
Forza colpo singolo corrispondente alla procedura EPTA 05/2009	7,5 J	7,5 J
Ø collarino di fissaggio	66 mm	66 mm
Peso secondo la procedura EPTA 01/2014	5,9 kg	5,9 kg
Informazioni sulla rumorosità Valori misurati conformemente alla norma EN 62841. La misurazione A del livello di pressione acustica dell'utensile è di solito di:		
Livello di rumorosità (Incertezza della misura K=3dB(A))	97,0 dB (A)	94,0 dB (A)
Potenza della rumorosità (Incertezza della misura K=3dB(A))	105,0 dB (A)	102,0 dB (A)
Utilizzare le protezioni per l'udito!		
Informazioni sulle vibrazioni Valori totali delle oscillazioni (somma di vettori in tre direzionmisurati conformemente alla norma EN 62841)		
Scalpellare: Valore di emissione dell'oscillazione a _{h, cheq} Incertezza della misura K=	12,8 m/s ² 1,5 m/s ²	11,3 m/s ² 1,5 m/s ²

AVVERTENZA!

Il/i valore/i di emissione acustica riportato/i in questa scheda informativa sono stati misurati conformemente a un metodo di prova standard sulla base della norma EN 62841 e possono essere utilizzati per confrontare gli utensili tra loro. Può/possono essere utilizzato/i anche per una valutazione preliminare dell'esposizione.

Il livello di vibrazione ed emissione acustica dichiarato rappresenta le applicazioni principali dell'utensile. Tuttavia, se l'utensile è utilizzato per applicazioni diverse, con accessori differenti o una manutenzione non adeguata, la vibrazione e l'emissione acustica potrebbero variare. Ciò può aumentare significativamente il livello di esposizione durante l'intera durata del lavoro.

Una stima del livello di esposizione alle vibrazioni e al rumore dovrebbe tenere conto anche dei periodi in cui l'utensile è spento o è in funzione ma non sta lavorando. Ciò può ridurre significativamente il livello di esposizione durante l'intera durata del lavoro.

Identificare le misure di sicurezza supplementari per proteggere l'operatore dagli effetti delle vibrazioni e/o del rumore, ad esempio eseguendo la manutenzione dell'utensile e degli accessori, mantenendo le mani calde e organizzando gli schemi di lavoro.

AVVERTENZA Leggere tutte le avvertenze di sicurezza, le istruzioni, le illustrazioni e i dati forniti a corredo dell'apparecchio. In caso di mancato rispetto delle avvertenze di pericolo e delle istruzioni operative si potrà creare il pericolo di scosse elettriche, incendi e/o incidenti gravi.
Conservare tutte le avvertenze di pericolo e le istruzioni operative per ogni esigenza futura.

AVVERTENZA NORME DI SICUREZZA PER MARTELLO PERFORATORE

Istruzioni di sicurezza per tutte le operazioni

Indossare protezioni acustiche adeguate. L'esposizione al rumore potrebbe comportare una riduzione dell'udito.

Utilizzare l'utensile con la sua impugnatura supplementare. La perdita di controllo potrebbe causare danneggiamenti all'utilizzatore.

Quando si eseguono lavori in cui vi è pericolo che l'accessorio impiegato possa arrivare a toccare cavi elettrici nascosti oppure anche il cavo elettrico della macchina stessa, tenere l'elettrotensile afferrandolo sempre alle superfici di impugnatura isolate. L'eventuale contatto dell'utensile da taglio con un cavo sotto tensione potrebbe mettere

sotto tensione le parti metalliche dell'apparecchio e provocare una folgorazione.

Istruzioni di sicurezza per l'uso del trapano a percussione con punte lunghe

Iniziare sempre la foratura a bassa velocità e con la punta a contatto con il pezzo. A velocità più elevate, è probabile che la punta si pieghi se gli si consente di ruotare liberamente senza toccare il pezzo, causando lesioni personali.

Applicare la pressione solo in linea diretta con la punta e non applicare una pressione eccessiva. Le punte possono piegarsi causando rottura o perdita di controllo, con conseguenti lesioni personali.

Ulteriori avvisi di sicurezza e di lavoro

Indossare sempre equipaggiamento protettivo individuale, nonché guanti protettivi. Indossando abbigliamento di protezione personale come la maschera per polveri, scarpe di sicurezza che non scivolino, elmetto di protezione oppure protezione acustica a seconda del tipo e dell'applicazione dell'elettrotensile, si riduce il rischio di incidenti.

La polvere provocata durante la lavorazione con questo utensile può essere dannosa alla salute e per questo motivo non devono entrare in contatto con il corpo. Usare un sistema d'aspirazione

polvere e indossare una maschera di protezione dalla polvere. Rimuovere i depositi di polvere, per esempio con un aspiratore. E' vietato lavorare materiali che possono costituire pericoli alla salute (ad es. amianto).

Forando pareti, soffitti o pavimenti, si faccia attenzione ai cavi elettrici e alle condutture dell'acqua e del gas.

Fissare in sicurezza il pezzo in lavorazione con un dispositivo di serraggio. Pezzi in lavorazione che non siano fissati in sicurezza possono causare gravi lesioni e danni.

Tenere sempre lontano il cavo di collegamento dall'area di lavoro dell'attrezzo.

Spegnerne immediatamente il dispositivo in caso di bloccaggio! Non riaccendere il dispositivo fino a quando l'utensile ad inserto resta bloccato; esiste il rischio di causare un contraccolpo con elevato momento di reazione. Rilevare ed eliminare la causa del bloccaggio dell'utensile ad inserto tenendo conto delle indicazioni di sicurezza.

Le possibili cause sono:

- Incastro nel pezzo in lavorazione
- Il dispositivo ha attraversato il materiale da lavorare rompendolo

- Il dispositivo elettrico è stato sovraccaricato

Non avvicinare le mani alla parte della macchina in movimento.

L'utensile ad inserto ha spigoli vivi e può surriscaldarsi durante l'uso.

AVVERTENZA! Pericolo di tagli e bruciature
- quando si maneggiano gli utensili ad inserto
- durante il deposito dell'utensile

Indossare guanti protettivi quando si maneggiano gli utensili ad inserto.

Non rimuovere trucioli o schegge mentre l'utensile è in funzione.

Prima di effettuare qualsiasi lavoro sulla macchina togliere la spina dalla presa di corrente.

OPERAZIONE

Avvio a freddo

Se questo utensile è stato conservato per un lungo periodo di tempo o a basse temperature, potrebbe non iniziare immediatamente a martellare poiché la lubrificazione si è indurita.

Per riscaldare l'utensile

1. Inserire e bloccare una punta o uno scalpello nell'utensile.
2. Premere l'interruttore On/Off e applicare una pressione sulla punta o sullo scalpello contro una superficie di cemento o legno per alcuni secondi. Rilasciare l'interruttore On/Off.
3. Ripetere finché l'utensile non inizia a martellare. Più l'utensile è freddo, più tempo impiegherà a riscaldarsi.

UTILIZZO CONFORME

Il martello può essere utilizzato per scalpellare la pietra e cemento.

COLLEGAMENTO ALLA RETE

Gli apparecchi mobili usati all'aperto devono essere collegati interponendo un interruttore di sicurezza (FI, RCD, PRCD) per guasti di corrente.

Connettere solo corrente alternata mono fase e solo al sistema di voltaggio indicato sulla piastra. E' possibile anche connettere la presa senza un contatto di messa a terra così come prevede lo schema conforme alla norme di sicurezza di classe II.

Inserire la spina solo con interruttore su posizione "OFF".

MANUTENZIONE

Tener sempre ben pulite le fessure di ventilazione dell'apparecchio.

Se il cavo di allacciamento elettrico è danneggiato, deve essere immediatamente sostituito dal punto di servizio assistenza, perché allo scopo serve un utensile speciale.

Usare solo accessori Milwaukee e pezzi di ricambio Milwaukee. Gruppi costruttivi la cui sostituzione non è stata descritta, devono essere fatti cambiare da un punto di servizio di assistenza tecnica al cliente Milwaukee (vedi depliant garanzia/indirizzi assistenza tecnica ai clienti).

In caso di mancanza del disegno esploso, può essere richiesto al seguente indirizzo: Techtronic Industries GmbH, Max-Eyth-Strabe 10, 71364 Winnenden, Germany.

SIMBOLI



Leggere attentamente le istruzioni per l'uso prima di mettere in funzione l'elettrotensile.



ATTENZIONE! AVVERTENZA! PERICOLO!



Prima di effettuare qualsiasi lavoro sulla macchina togliere la spina dalla presa di corrente.



Durante l'uso dell'apparecchio utilizzare sempre gli occhiali di protezione.



Indossare protezioni acustiche adeguate.



Portare un'adeguata mascherina protettiva.



Indossare guanti protettivi!



Accessorio - Non incluso nella dotazione standard.



I rifiuti di apparecchiature elettriche ed elettroniche non devono essere smaltiti con i rifiuti domestici. I rifiuti di apparecchiature elettriche ed elettroniche devono essere raccolti e smaltiti separatamente. Rimuovere le sorgenti luminose dalle apparecchiature prima di smaltirle. Chiedere alle autorità locali o al rivenditore specializzato dove si trovano i centri di riciclaggio e i punti di raccolta. A seconda dei regolamenti locali, i rivenditori al dettaglio possono essere obbligati a ritirare gratuitamente i rifiuti di apparecchiature elettriche ed elettroniche. Aiutate a ridurre il fabbisogno di materie prime riutilizzando e riciclando i propri rifiuti di apparecchiature elettriche ed elettroniche. I rifiuti di apparecchiature elettriche ed elettroniche contengono materiali preziosi e riciclabili che possono avere un impatto negativo sull'ambiente e sulla vostra salute se non vengono smaltiti in modo ecologico. Cancellare tutti i dati personali che potrebbero essere presenti sul vostro rifiuto di apparecchiatura prima di procedere allo smaltimento.



Utensile elettrico di classe di protezione II. Utensile elettrico sul quale la protezione contro la folgorazione elettrica non dipende soltanto dall'isolamento di base, ma anche dall'applicazione di ulteriori misure di protezione, come il doppio isolamento o l'isolamento maggiorato. Non è predisposto il collegamento di un conduttore di protezione.



Numero di giri a vuoto



Voltaggio

Corrente alternata



Marchio di conformità europeo



Marchio di conformità britannico



Marchio di conformità ucraino



Marchio di conformità euroasiatico

DICHIARAZIONE DI CONFORMITÀ CE

Assumendone la piena responsabilità, dichiariamo che il prodotto descritto nei "Dati tecnici" è conforme alle pertinenti disposizioni delle direttive 2011/65/UE (RoHS) 2006/42/CE 2014/30/UE e che sono state applicate le seguenti norme armonizzate 0

EN 62841-1+A11:2022
EN 62841-2-6:2020 +A11:2020
EN IEC 55014-1:2021
EN IEC 55014-2:2021
EN IEC 61000-3-2:2019+A1:2021
EN 61000-3-3:2013+A1:2019+A2:2021
EN IEC 63000:2018

Valori misurati secondo 2000/14/CE sull'orecchio dell'utilizzatore Procedure di valutazione della conformità secondo allegato VI.

EU Organismo notificato:
DEKRA Testing and Certification GmbH,
Handwerkstraße 15, 70565 Stuttgart

Location Certification Body, Dinnendahlstr. 9, 44809 Bochum, Germany

Organismo notificato numero: 0158

Livello di potenza sonora misurato: 97,6 dB (A)

Livello di potenza sonora garantito: 100,0 dB (A)



Winnenden, 2023-01-20

Alexander Krug / Managing Director
Autorizzato alla preparazione della documentazione tecnica
Techronic Industries GmbH
Max-Eyth-Straße 10, 71364 Winnenden, Germany

DATOS TÉCNICOS Martillo Cincelador	K 500 ST 220-240 V	K 500 ST 110-120 V
Número de producción	4431 81 07... 4439 21 07... ... 000001-999999	4433 46 07... ... 000001-999999
Potencia de salida nominal	1100 W	1100 W
Potencia entregada	550 W	550 W
Frecuencia de impactos bajo carga máx.	3000 min ⁻¹	3000 min ⁻¹
Energía por percusión según EPTA-Procedure 05/2009	7,5 J	7,5 J
Diámetro de cuello de amarre	66 mm	66 mm
Peso de acuerdo con el procedimiento EPTA 01/2014	5,9 kg	5,9 kg
Información sobre ruidos Determinación de los valores de medición según norma EN 62841. El nivel de ruido típico del aparato determinado con un filtro A corresponde a:		
Presión acústica (Tolerancia K=3dB(A))	97,0 dB (A)	94,0 dB (A)
Resonancia acústica (Tolerancia K=3dB(A))	105,0 dB (A)	102,0 dB (A)
Usar protectores auditivos!		
Informaciones sobre vibraciones Nivel total de vibraciones (suma vectorial de tres direcciones) determinado según EN 62841.		
Cincelar:		
Valor de vibraciones generadas a _{h, Cheq}	12,8 m/s ²	11,3 m/s ²
Tolerancia K=	1,5 m/s ²	1,5 m/s ²

ADVERTENCIA!

El nivel de emisión de ruido y vibración indicado en esta hoja informativa se ha medido de acuerdo con una prueba estandarizada que figura en EN 62841 y se puede usar para comparar una herramienta con otra. Puede ser empleado para una evaluación preliminar de la exposición.

El nivel declarado emisión de vibración y ruido representa las principales aplicaciones de la herramienta. Sin embargo, si la herramienta se utiliza para diferentes aplicaciones, con diferentes accesorios o con un mantenimiento deficiente, la emisión de ruido y vibración puede diferir. Esto puede aumentar significativamente el nivel de exposición durante el período total de trabajo.

También se debe tener en cuenta una estimación del nivel de exposición a la vibración y el ruido cuando la herramienta está apagada o cuando está funcionando, pero no está haciendo su trabajo. Esto puede reducir significativamente el nivel de exposición durante el período total de trabajo.

Identifique medidas de seguridad adicionales para proteger al operador de los efectos de la vibración o el ruido, como realizar mantenimiento de la herramienta y los accesorios, mantener las manos calientes y organizar las pautas de trabajo.



ADVERTENCIA Lea las indicaciones de seguridad, instrucciones, descripciones y datos que se incluyen en el aparato. En caso de no atenderse a las advertencias de peligro e instrucciones siguientes, ello puede ocasionar una descarga eléctrica, un incendio y/o lesión grave.
Guardar todas las advertencias de peligro e instrucciones para futuras consultas.



INSTRUCCIONES DE SEGURIDAD PARA MARTILLO PERFORADOR

Instrucciones de seguridad para todas las operaciones

¡Utilice protección auditiva! La exposición a niveles de ruido excesivos puede causar la pérdida de audición.

¡Utilice las empuñaduras auxiliares suministradas con la herramienta! La pérdida de control de la herramienta puede causar accidentes

Únicamente sujete el aparato por las empuñaduras aisladas al realizar trabajos en los que el útil pueda tocar conductores eléctricos ocultos o el propio cable del aparato. El contacto de la perforadora de percusión con un conducto con

energía aplicada también podrá poner bajo tensión partes metálicas del aparato y causar un choque eléctrico.

Indicaciones de seguridad para el uso del taladro de percusión con brocas largas

Comience siempre a taladrar a baja velocidad y con la punta de la broca en contacto con la pieza de trabajo. A velocidades más altas, es probable que la broca se doble si se permite que gire libremente sin entrar en contacto con la pieza de trabajo, resultando en lesiones personales.

Ejerza presión únicamente en línea directa con la broca y no ejerza una presión excesiva. Las puntas pueden doblarse causando rotura o pérdida de control, resultando en lesiones personales.

Instrucciones adicionales de seguridad y laborales

Utilice un equipo de protección personal y en todo caso unas gafas de protección. El riesgo a lesionarse se reduce considerablemente si, dependiendo del tipo y la aplicación de la herramienta eléctrica empleada, se utiliza un equipo de protección adecuado como una mascarilla antipolvo, zapatos de seguridad con suela antideslizante, casco, o protectores auditivos.

El polvo que se produce cuando se usa esta herramienta puede ser perjudicial para la salud. Use un sistema de absorción de polvo y utilice una máscara adecuada de protección contra el polvo. Limpie el polvo depositado, por ejemplo con un aspirador.

No se deben trabajar materiales que conlleven un riesgo para la salud (por ej. amianto).

Para trabajar en paredes, techo o suelo, tenga cuidado para evitar los cables eléctricos y tuberías de gas o agua.

Fije la pieza de trabajo con un dispositivo de fijación. Las piezas de trabajo no fijadas pueden causar lesiones graves y deterioros.

Mantener siempre el cable separado del radio de acción de la máquina.

¡En caso de que se bloquee el útil, el aparato se debe desconectar inmediatamente! No vuelva a conectar el aparato, mientras el útil esté bloqueado; se podría producir un rechazo debido a la reacción de retroceso brusca. Averigüe y elimine la causa del bloqueo del útil, teniendo en cuenta las indicaciones de seguridad.

Causas posibles para ello pueden ser:

- Atascamiento o bloqueo en la pieza de trabajo
- Rotura del material con el que está trabajando.
- Sobrecarga de la herramienta eléctrica

No introduzca las manos en la máquina mientras ésta se encuentra en funcionamiento.

La herramienta intercambiable tiene bordes afilados y se puede calentar durante su uso.

¡ADVERTENCIA! Riesgo de cortes y quemaduras - al manipular las herramientas intercambiables - en caso de depositar el aparato

Llevar guantes de protección al manipular las herramientas intercambiables.

Nunca se debe intentar limpiar el polvo o viruta procedente del taladrado con la máquina en funcionamiento.

Desconecte siempre el enchufe antes de llevar a cabo cualquier trabajo en la máquina.

OPERACIÓN

Arranque en frío

Si esta herramienta se almacena durante un período prolongado o a bajas temperaturas, es posible que no martille inicialmente porque la lubricación se ha vuelto rígida.

Para calentar la herramienta

1. Inserte y bloquee un poco o cincele en la herramienta.
2. Apriete el gatillo y aplique fuerza a la broca o cincele contra una superficie de hormigón o madera durante unos segundos. Suelte el gatillo.
3. Repita esta operación hasta que la herramienta empiece a martillar. Cuanto más fría esté la herramienta, más tiempo tardará en calentarse.

APLICACIÓN DE ACUERDO A LA FINALIDAD

El martillo es utilizable en trabajos de cincelados en piedras y hormigón.

CONEXIÓN ELÉCTRICA

Conecte siempre la máquina a una red protegida por interruptor diferencial y magnetotérmico (FI, RCD, PRCD), para su seguridad personal, según normas establecidas para instalaciones eléctricas de baja tensión.

Conectar solamente a corriente AC monofásica y sólo al voltaje indicado en la placa de características. También es posible la

conexión a enchufes sin toma a tierra, dado que es conforme a la Clase de Seguridad II.

Enchufar la máquina a la red solamente en posición desconectada.

MANTENIMIENTO

Las ranuras de ventilación de la máquina deben estar despejadas en todo momento.

Si el cable de conexión a la red estuviera dañado, deberá ser sustituido en un punto de servicio técnico, para evitar situaciones de peligro.

Utilice solamente accesorios y repuestos Milwaukee. En caso de necesitar reemplazar componentes no descritos, contacte con cualquiera de nuestras estaciones de servicio Milwaukee (consultar lista de servicio técnicos)

En caso necesario, puede solicitar un despiece de la herramienta. Por favor indique el número de impreso que hay en la etiqueta y pida el despiece a la siguiente dirección: Techtronic Industries GmbH, Max-Eyth-Strasse 10, 71364 Winnenden, Germany.

SÍMBOLOS



Lea las instrucciones detenidamente antes de conectar la herramienta



¡ATENCIÓN! ¡ADVERTENCIA! ¡PELIGRO!



Desconecte siempre el enchufe antes de llevar a cabo cualquier trabajo en la máquina.



Para trabajar con la máquina, utilizar siempre gafas de protección.



¡Utilice protección auditiva!



Utilice por ello una máscara protectora contra polvo.



Usar guantes protectores



Accesorio - No incluido en el equipo estándar, disponible en la gama de accesorios.



Los residuos de aparatos eléctricos y electrónicos no se deben desechar junto con la basura doméstica. Los residuos de aparatos eléctricos y electrónicos se deben recoger y desechar por separado. Retire las fuentes de iluminación de los aparatos antes de desecharlos. Infórmese en las autoridades locales o en su distribuidor especializado sobre los centros de reciclaje y los puntos de recogida. Dependiendo de las disposiciones locales al respecto, los distribuidores minoristas pueden estar obligados a aceptar de forma gratuita la devolución de residuos de aparatos eléctricos y electrónicos. Contribuya mediante la reutilización y el reciclaje de sus residuos de aparatos eléctricos y electrónicos a reducir la demanda de materias primas. Los residuos de aparatos eléctricos y electrónicos contienen valiosos materiales reutilizables que pueden tener efectos negativos para el medio ambiente y su salud si no son desechados de forma respetuosa con el medio ambiente. Antes de desecharlos, elimine los datos personales que podría haber en los residuos de sus aparatos.



Herramienta eléctrica de la clase de protección II. Herramientas eléctricas, en las que la protección contra un choque eléctrico no depende solamente del aislamiento básico sino también de la aplicación de medidas adicionales de protección, como doble aislamiento o aislamiento reforzado. No existe dispositivo para la conexión de un conductor protector.



Velocidad en vacío



Tensión



Corriente CA



Marcado de conformidad europeo



Marcado de conformidad británico



Marcado de conformidad ucraniano



Marcado de conformidad euroasiático

DECLARACION DE CONFORMIDAD CE

Declaramos bajo nuestra única responsabilidad que el producto descrito bajo "Datos técnicos" cumple todas las disposiciones pertinentes de las directivas 2011/65/UE (RoHS) 2006/42/CE 2014/30/UE y que se han implementado y estándares EN 62841-1+A11:2022 EN 62841-2-6:2020 +A11:2020 EN IEC 55014-1:2021 EN IEC 55014-2:2021 EN IEC 61000-3-2:2019+A1:2021 EN 61000-3-3:2013+A1:2019+A2:2021 EN IEC 63000:2018

Valores de medición determinados conforme a 2000/14/EG en la oreja del usuario. Procedimiento de valoración de conformidad según anexo VI.

EU Organismo designado: DEKRA Testing and Certification GmbH, Handwerkstraße 15, 70565 Stuttgart Location Certification Body, Dinnendahlstr. 9, 44809 Bochum, Germany Organismo designado número: 0158

Nivel de potencia sonora medido: 97,6 dB (A)

Nivel de potencia sonora garantizado: 100,0 dB (A)



Winnenden, 2023-01-20

Alexander Krug / Managing Director Autorizado para la redacción de los documentos técnicos. Techtronic Industries GmbH Max-Eyth-Strasse 10, 71364 Winnenden, Germany

CARACTERÍSTICAS TÉCNICAS Martelo Perfurador	K 500 ST 220-240 V	K 500 ST 110-120 V
Número de produção	4431 81 07... 4439 21 07... ... 000001-999999	4433 46 07... ... 000001-999999
Potência absorvida nominal	1100 W	1100 W
Potência de saída	550 W	550 W
Frequência de percussão em carga no máx.	3000 min ⁻¹	3000 min ⁻¹
Força de impacto individual conforme EPTA-Procedure 05/2009	7,5 J	7,5 J
Ø da gola de aperto	66 mm	66 mm
Peso nos termos do procedimento-EPTA 01/2014	5,9 kg	5,9 kg
Informações sobre ruído Valores de medida de acordo com EN 62841. O nível de ruído avaliado A do aparelho é tipicamente:		
Nível da pressão de ruído (Incertez K=3dB(A))	97,0 dB (A)	94,0 dB (A)
Nível da potência de ruído (Incertez K=3dB(A))	105,0 dB (A)	102,0 dB (A)
Use protectores auriculares!		
Informações sobre vibração Valores totais de vibração (soma dos vectores das três direcções) determinadas conforme EN 62841.		
Trabalho de ponteira:		
Valor de emissão de vibração a _{h, Cheq}	12,8 m/s ²	11,3 m/s ²
Incerteza K=	1,5 m/s ²	1,5 m/s ²

ATENÇÃO!

O nível de emissão de ruído e vibração fornecido nesta ficha de informações foi medido de acordo com um teste padronizado que se encontra na norma EN 62841, podendo ser utilizado para fazer comparações entre ferramentas. Pode ser utilizado para fazer uma avaliação preliminar da exposição.

O nível de emissão de ruído e vibração declarado representa as principais aplicações da ferramenta. No entanto, se a ferramenta for utilizada para aplicações diferentes ou com acessórios distintos, ou se a sua manutenção for deficiente, a emissão de ruídos e vibrações poderá diferir. Isso poderá aumentar significativamente o nível de exposição ao longo do período de trabalho total.

A estimativa do nível de exposição à vibração e ruído também deve ter em conta os tempos em que a ferramenta, quer desligada quer em funcionamento, não está realmente a trabalhar. Isso poderá reduzir significativamente o nível de exposição ao longo do período de trabalho total.

Identifique medidas de segurança adicionais para proteger o operador contra os efeitos da vibração e/ou ruído, tais como: fazer a manutenção da ferramenta e dos acessórios, manter as mãos quentes, organizar padrões de trabalho.

ATENÇÃO Ler todas as indicações de segurança, instruções, representações e dados fornecidos juntamente com o aparelho. O desrespeito das advertências e instruções apresentadas abaixo pode causar choque eléctrico, incêndio e/ou graves lesões.

Guarde bem todas as advertências e instruções para futura referência.

INSTRUÇÕES DE SEGURANÇA PARA MARTELO

Instruções de segurança para todas as operações

Sempre use a protecção dos ouvidos. Os ruídos podem causar surdez.

Sempre use os punhos adicionais fornecidos com o aparelho. A perda de controlo pode causar feridas.

Ao executar trabalhos durante os quais possam ser atingidos cabos eléctricos ou o próprio cabo de rede, deverá sempre segurar a ferramenta eléctrica pelas superfícies isoladas do punho. O contacto da ferramenta de corte com uma linha sob tensão também pode colocar peças metálicas do aparelho sob tensão e levar a um choque eléctrico.

Instruções de segurança para a utilização da broca de martelo com brocas compridas

Comece sempre a utilizar a broca a baixa velocidade e com a ponta da mesma em contacto com a peça de trabalho. A velocidades mais elevadas, se for deixada a girar livremente sem contacto com a peça de trabalho, a broca pode curvar-se, dando origem a danos corporais.

Pressione apenas de forma directamente alinhada com a ponta e não aplique pressão excessiva. As brocas podem curvar-se, provocando situações de rotura e perda de controlo conducentes à ocorrência de lesões corporais.

Instruções de segurança e trabalho suplementares

Utilizar equipamento de protecção pessoal e sempre óculos de protecção. A utilização de equipamento de protecção pessoal, como máscara de protecção contra pó, sapatos de segurança antiderrapantes, capacete de segurança ou protecção auricular, de acordo com o tipo e aplicação da ferramenta eléctrica, reduz o risco de lesões.

A poeira gerada ao trabalhar com esta ferramenta pode ser perigosa para a saúde e por isso não deve atingir o corpo. Utilize um

sistema de absorção de poeiras e use uma máscara de protecção. Retire completamente a poeira depositada, por exemplo com um aspirador.

Não devem ser processados materiais que representem um perigo para a saúde (p. ex. asbesto).

Ao trabalhar em paredes, tectos e soalhos prestar atenção a que não sejam atingidos cabos eléctricos e canalizações de gás e água. Fixe a peça a trabalhar com um dispositivo de fixação. Peças a trabalhar não fixadas podem levar a feridas graves e danos sérios.

Manter sempre o cabo de ligação fora da zona de acção da máquina.

Desligue o aparelho imediatamente, quando a ferramenta de inserção bloquear! Não ligue o aparelho novamente durante o bloqueio da ferramenta de inserção, pois isso pode levar a um recuo repentino com uma alta força reactiva. Verifique e elimine a causa do bloqueio da ferramenta de inserção, observando as instruções de segurança.

Causas possíveis podem ser:

- Emperramento na peça a trabalhar
- Ruptura do material a processar
- Sobrecarga da ferramenta eléctrica

Não toque na máquina em operação.

A ferramenta tem arestas afiadas e pode ficar quente durante a utilização.

ADVERTÊNCIA! Perigo de corte e queimadura

- no manejo das ferramentas

- ao depositar o aparelho

Use luvas de protecção no manejo das ferramentas.

Não remover aparas ou lascas enquanto a máquina trabalha.

Antes de efectuar qualquer intervenção na máquina, tirar a ficha da tomada.

FUNCIONAMENTO

Arranque a Frio

Se esta ferramenta for armazenada por um período prolongado ou a baixas temperaturas, é possível que não martele bem inicialmente, devido ao endurecimento do lubrificante.

Para aquecer a ferramenta

1. Insira um escopro ou cinzel na ferramenta.
2. Puxe o gatilho e aplique força no escopro ou cinzel, contra uma superfície de betão ou madeira, durante alguns segundos. Solte o gatilho.
3. Repita até que a ferramenta comece a martelar. Quanto mais fria a ferramenta estiver, mais tempo demorará a aquecer.

UTILIZAÇÃO AUTORIZADA

O martelo presta-se a trabalhos de ponteira em pedra e betão.

LIGAÇÃO À REDE

Aparelhos não estacionários, utilizados ao ar livre, devem ser protegidos por um disjuntor de corrente de defeito (FI, RCD, PRCD).

Só conectar à corrente alternada monofásica e só à tensão de rede indicada na placa de potência. A conexão às tomadas de rede sem contacto de segurança também é possível, pois trata-se duma construção da classe de protecção II.

Ao ligar à rede, a máquina deve estar desligada.

MANUTENÇÃO

Manter desobstruídos os rasgos de ventilação na carcaça da máquina.

Se o cabo de alimentação eléctrica estiver danificado, este deverá ser substituído junto de um serviço de assistência ao cliente dado, que será necessário utilizar ferramentas especiais.

Utilizar apenas acessórios Milwaukee e peças sobresselentes Milwaukee. Os componentes cuja substituição não esteja descrita devem ser substituídos num serviço de assistência técnica Milwaukee (consultar a brochura relativa à garantia/moradas dos serviços de assistência técnica).

A pedido e mediante indicação da referência que consta da chapa de características da máquina, pode requerer-se um desenho explosivo da ferramenta eléctrica a: Techtronic Industries GmbH, Max-Eyth-Strasse 10, 71364 Winnenden, Germany.

SÍMBOLOS



Leia atentamente o manual de instruções antes de colocar a máquina em funcionamento.



ATENÇÃO! PERIGO!



Antes de efectuar qualquer intervenção na máquina, tirar a ficha da tomada.



Usar sempre óculos de protecção ao trabalhar com a máquina.



Sempre use a protecção dos ouvidos.



Use uma máscara de protecção contra pó apropriada.



Use luvas de protecção!



Acessório - Não incluído no equipamento normal.



Resíduos de equipamentos eléctricos e electrónicos (EEE) não devem ser descartados com o lixo doméstico. EEE devem ser recolhidos e descartados separadamente. Remova as luzes antes de descartar os equipamentos. Informe-se sobre os centros de reciclagem e os postos de coleta nas autoridades locais ou no seu vendedor autorizado. Dependendo dos regulamentos locais, os retalhistas podem ser obrigados a retomar gratuitamente os resíduos de equipamentos eléctricos e electrónicos. Contribua a reduzir as necessidades de matérias-primas, reutilizando e reciclando os seus resíduos de equipamentos eléctricos e electrónicos. Resíduos de equipamentos eléctricos e electrónicos contêm materiais valiosos e reutilizáveis que podem ter efeitos negativos para o meio ambiente e a sua saúde se não forem descartados ecologicamente. Apague eventuais dados pessoais existentes no seu resíduo de equipamento antes de descartá-lo.



Ferramenta eléctrica da classe de protecção II. Ferramenta eléctrica, na qual a protecção contra choque eléctrico não só depende do isolamento básico, mas também da aplicação de medidas de protecção suplementares, como isolamento duplo ou reforçado. Não há um dispositivo para a conexão dum condutor de protecção.

n_0 Velocidade em vazio

V Tensão

~ Corrente alternada

 Marca de Conformidade Europeia

 Marca de Conformidade Britânica

 Marca de Conformidade Ucrainiana

 Marca de Conformidade Eurasiática

DECLARAÇÃO DE CONFORMIDADE CE

Declaramos, sob a nossa inteira responsabilidade, que o produto descrito em «Dados Técnicos» cumpre todas as disposições relevantes das diretivas

2011/65/UE (RoHS)

2006/42/CE

2014/30/UE

tendo sido seguidas as seguintes normas harmonizadas foi usado

EN 62841-1+A11:2020

EN 62841-2-6:2020 +A11:2020

EN IEC 55014-1:2021

EN IEC 55014-2:2021

EN IEC 61000-3-2:2019+A1:2021

EN 61000-3-3:2013+A1:2019+A2:2021

EN IEC 63000:2018

Valores de medição averiguados na orelha do utilizador, nos termos de 2000/14/CE. Processo de avaliação de conformidade nos termos do anexo VI.

EU Ponto designado:

DEKRA Testing and Certification GmbH,

Handwerkstraße 15, 70565 Stuttgart

Location Certification Body, Dinnendahlstr. 9, 44809 Bochum,

Germany

Ponto designado número: 0158

Nível de potência acústica medido: 97,6 dB (A)

Nível de potência acústica garantido: 100,0 dB (A)

 Winnenden, 2023-01-20



Alexander Krug / Managing Director
Autorizado a reunir a documentação técnica.

Techtronic Industries GmbH
Max-Eyth-Straße 10, 71364 Winnenden, Germany

Português

TECHNISCHE GEGEVENS Hakhamer	K 500 ST 220-240 V	K 500 ST 110-120 V
Productienummer	4431 81 07... 4439 21 07... ... 000001-999999	4433 46 07... ... 000001-999999
Nominaal afgegeven vermogen	1100 W	1100 W
Afgegeven vermogen	550 W	550 W
Aantal slagen belast max.	3000 min ⁻¹	3000 min ⁻¹
Slagkracht overeenkomstig EPTA-Procedure 05/2009	7,5 J	7,5 J
Spanhals-ø	66 mm	66 mm
Gewicht volgens de EPTA-procedure 01/2014	5,9 kg	5,9 kg
Geluidsinformatie Meetwaarden vastgesteld volgens EN 62841. Het kenmerkende A-gewogen geluidsniveau van de machine bedraagt:		
Geluidsdruk niveau (Onzekerheid K=3dB(A))	97,0 dB (A)	94,0 dB (A)
Geluidsvermogen niveau (Onzekerheid K=3dB(A))	105,0 dB (A)	102,0 dB (A)
Draag oorbeschermers!		
Trillingsinformatie Totale trillingswaarden (vectorsom van drie richtingebepaald volgens EN 62841.		
Hakken:		
Trillingsemisiewaarde $a_{h,req}$	12,8 m/s ²	11,3 m/s ²
Onzekerheid K=	1,5 m/s ²	1,5 m/s ²


WAARSCHUWING!

De in dit informatieblad vermelde trillings- en geluidsniveaus zijn gemeten in overeenstemming met een standaard testmethode conform EN 62841 en kunnen worden gebruikt om gereedschap met elkaar te vergelijken. Deze kunnen ook worden gebruikt voor het vooraf evalueren van de blootstelling.

De vermelde trillings- en geluidsniveaus gelden voor de meest gebruikelijke toepassingen van het gereedschap. Wanneer het gereedschap echter voor andere doeleinden of met andere hulpstukken gebruikt wordt of niet naar behoren onderhouden wordt, kan de mate van blootstelling over de hele werkperiode aanzienlijk hoger uitvallen.

Voor een nauwkeurige inschatting van de blootstelling aan trillingen en geluid moet ook de tijd in aanmerking worden genomen die het apparaat uitgeschakeld is of weliswaar loopt, maar niet werkelijk in gebruik is. Dit kan de waarde van de mate aan blootstelling over de hele werkperiode aanzienlijk verminderen.

Bepaal extra veiligheidsmaatregelen ter bescherming van de gebruiker tegen de gevolgen van trillingen en/of geluid, bijvoorbeeld: onderhoud van het gereedschap en hulpstukken, warmhouden van de handen, organisatie van de werkprocessen.

 **WAARSCHUWING** Lees en bekijk alle veiligheidsaanwijzingen, aanwijzingen, afbeeldingen en gegevens die u bij het apparaat ontvangt. Als de waarschuwingen en voorschriften niet worden opgevolgd, kan dit een elektrische schok, brand of ernstig letsel tot gevolg hebben.
Bewaar alle waarschuwingen en voorschriften voor toekomstig gebruik.

VEILIGHEIDSINSTRUCTIES VOOR BOORHAMER Veiligheidsinstructies voor alle bewerkingen

Draag oorbeschermers. Lawaai kan gehoorverlies veroorzaken.

Gebruik de bij de machine geleverde zijhandgreep. Verlies aan controle kan tot persoonlijk letsel leiden.

Houd het elektrische gereedschap alleen vast aan de geïsoleerde greepvlakken als u werkzaamheden uitvoert waarbij het inzetgereedschap verborgen stroomleidingen of de eigen netkabel kan raken. Het contact van het snijgereedschap met een spanningvoerende leiding kan de metalen apparaatdelen onder spanning zetten en zo tot een elektrische schok leiden.

Veiligheidsinstructies voor het gebruik van de boorhamer met lange boren

Boor altijd met lage snelheid en met de punt van de boor in contact met het werkstuk. Bij hogere snelheden buigt de boor waarschijnlijk door als deze vrij kan draaien zonder contact met het werkstuk, wat persoonlijk letsel tot gevolg heeft.

Druk alleen in directe lijn met de boor uit oefenen en geen overmatige druk uit oefenen. Boren kunnen buigen, wat kan leiden tot breuk of verlies van controle, met persoonlijk letsel als gevolg.

Verdere veiligheids- en werkinstructies

Draag persoonlijke beschermende uitrusting. Draag altijd een veiligheidsbril. Het dragen van persoonlijke beschermende uitrusting zoals een stofmasker, slipvaste werkschoenen, een veiligheidshelm of gehoorbescherming, afhankelijk van de aard en het gebruik van het elektrische gereedschap, vermindert het risico van verwondingen.

Stof die vrijkomt tijdens het werken vormt vaak een gevaar voor de gezondheid en mag niet met het lichaam in aanraking komen. Machines met stofafzuiging gebruiken en tevens geschikte stofmaskers dragen. Vrijgekomen stof grondig verwijderen resp. opzuigen.

Nederlands



Het is niet toegestaan, materialen te bewerken waarvan een gezondheidsgevaar uitgaat (bijv. asbest).

Bij het werken in wanden, plafonds of vloeren oppassen voor elektriciteitsdraden, gas- of waterleidingen.

Borg uw werkstuk met behulp van een spaninrichting Niet geborgde werkstukken kunnen ernstig letsel en grote schade veroorzaken.

Snoer altijd buiten werkbereik van de machine houden.

Schakel het apparaat onmiddellijk uit als het gereedschap geblokkeerd is; dit zou een terugslag met een hoog reactiemoment kunnen veroorzaken. Achterhaal en verhelp de oorzaak voor de blokkering van het gereedschap met inachtneming van de veiligheidsinstructies.

Mogelijke oorzaken zijn:

- kantelen in het te bewerken werkstuk
- Doorbreken van het te bewerken materiaal
- overbelasting van het elektrische gereedschap

Grijp niet in de lopende machine.

Het inzetgereedschap heeft scherpe randen en kan tijdens het gebruik heet worden.

WAARSCHUWING! Gevaar voor snij- en brandwonden

- tijdens het gebruik van het inzetgereedschap
- bij het neerleggen van het apparaat

Draag veiligheidshandschoenen bij het hanteren met de inzetgereedschappen.

Spanen of splinters mogen bij draaiende machine niet worden verwijderd.

Voor alle werkzaamheden aan de machine de stekker uit de kontaktdoos trekken.

BEDIENING

Koude start

Als dit gereedschap gedurende een lange periode of bij koude temperaturen wordt bewaard, mag de slagboorfunctie in eerste instantie niet worden gebruikt, omdat de smering is verhard.

Het gereedschap opwarmen

1. Steek een boor of beitel in het gereedschap en vergrendel het inzetgereedschap.
2. Bedien de AAN/UIT-schakelaar en oefen gedurende enkele seconden kracht uit op de boor of de beitel tegen een betonnen of houten oppervlak. Laat de AAN/UIT-schakelaar los.
3. Herhaal dit tot de slagboorfunctie van het gereedschap functioneert. Hoe kouder het gereedschap is, hoe langer het duurt tot het is opgewarmd.

VOORGESCHREVEN GEBRUIK VAN HET SYSTEEM

De hamer kan worden toegepast voor hakken in steen en beton.

NETAANSLUITING

Verplaatsbaar gereedschap moet bij het gebruik buiten aan een aardlekschakelaar (FI, RCD, PRCD) aangesloten worden.

Uitsluitend op éénfase-wisselstroom en uitsluitend op de op het typeplaatje aangegeven netspanning aansluiten. Aansluiting is ook mogelijk op een stekerdoos zonder aardcontact mogelijk, omdat het is ontworpen volgens veiligheidsklasse II.

Machine alleen uitgeschakeld aan het net aansluiten.

ONDERHOUD

Altijd de luchtspleten van de machine schoonhouden.

Wanneer de netkabel beschadigd is, moet deze door een klantenservice worden vervangen, omdat daarvoor speciaal gereedschap vereist is.

Gebruik uitsluitend Milwaukee toebehoren en onderdelen. Indien componenten die moeten worden vervangen niet zijn beschreven, neem dan contact op met een officieel Milwaukee servicecentrum (zie onze lijst met servicecentra).

Onder vermelding van het nummer op het machineplaatje is desgewenst een doorsnedetekening van de machine verkrijgbaar bij: Techtronic Industries GmbH, Max-Eyth-Straße 10, 71364 Winnenden, Germany.

SYMBOLEN



Graag instructies zorgvuldig doorlezen vóórdat u de machine in gebruik neemt.



OPGELET! WAARSCHUWING! GEVAAR!



Voor alle werkzaamheden aan de machine de stekker uit de kontaktdoos trekken.



Bij het werken met de machine altijd een veiligheidsbril dragen.



Draag oorbeschermers.



Draag derhalve een geschikt stofbeschermingsmasker.



Draag veiligheidshandschoenen!



Toebehoren - Wordt niet meegeleverd.



Afgedankte elektrische en elektronische apparatuur mogen niet samen via het huisafval worden afgevoerd. Afgedankte elektrische en elektronische apparatuur moeten gescheiden ingezameld en afgevoerd worden. Verwijder de verlichtingsmiddelen uit de apparatuur voordat u deze afvoert. Informeer bij uw gemeente of bij uw vakhandelaar naar recyclingbedrijven en inzamelpunten. Al naargelang de lokaal van toepassing zijnde voorschriften kunnen detailhandelaren verplicht zijn om afgedankte elektrische en elektronische apparatuur kosteloos terug te nemen. Geef uw afgedankte elektrische en elektronische apparatuur af voor recycling en help zo mee om de behoefte aan grondstoffen te verminderen. Afgedankte elektrische en elektronische apparatuur bevatten waardevolle, recyclebare materialen die, mits ze niet milieuvriendelijk worden afgevoerd, negatieve gevolgen kunnen hebben voor het milieu en uw gezondheid. Verwijder persoonlijke gegevens van uw afgedankte apparatuur voordat u deze afvoert.



Elektrisch gereedschap van de beschermingsklasse II. Elektrisch gereedschap waarbij de bescherming tegen elektrische schokken niet afhankelijk is van de basisisolatie, maar waarin ook extra veiligheidsmaatregelen worden toegepast zoals dubbele of versterkte isolatie. Er is geen voorziening voor de aansluiting van een aardleiding.

n_0

Onbelast toerental

V

Spanning



Wisselstroom



Europees symbool van overeenstemming



Brits symbool van overeenstemming



Oekraïens symbool van overeenstemming



Euro-Aziatisch symbool van overeenstemming

EC - VERKLARING VAN OVEREENSTEMMING

We verklaren geheel onder eigen verantwoordelijkheid dat het product in de "Technische data" voldoet aan alle relevante bepalingen van de richtlijnen

2011/65/EU (RoHS)

2006/42/EG

2014/30/EU

en de volgende geharmoniseerde normen zijn gebruikt

EN 62841-1+A11:2022

EN 62841-2-6:2020 +A11:2020

EN IEC 55014-1:2021

EN IEC 55014-2:2021

EN IEC 61000-3-2:2019+A1:2021

EN 61000-3-3:2013+A1:2019+A2:2021

EN IEC 63000:2018

Meetwaarden conform 2000/14/EG gemeten bij het oor van de gebruiker. Conformiteitsbeoordelingsprocedure conform annex VI.

EU Benoemde instantie:

DEKRA Testing and Certification GmbH,

Handwerkstraße 15, 70565 Stuttgart

Location Certification Body, Dinnendahlstr. 9, 44809 Bochum,

Germany

Benoemde instantie nummer: 0158

Gemeten geluidsdruk niveau: 97,6 dB (A)

Gegarandeerd geluidsdruk niveau: 100,0 dB (A)



Winnenden, 2023-01-20

Alexander Krug / Managing Director

Gemachtigd voor samenstelling van de technische documenten

Techtronic Industries GmbH

Max-Eyth-Straße 10, 71364 Winnenden, Germany

TEKNISKE DATA Mejselhammer	K 500 ST 220-240 V	K 500 ST 110-120 V
Produktionsnummer	4431 81 07... 4439 21 07... ... 000001-999999	4433 46 07... ... 000001-999999
Nominal optagen effekt	1100 W	1100 W
Afgiven effekt	550 W	550 W
Slagantal belastet maks.	3000 min ⁻¹	3000 min ⁻¹
Enkelt slagstyrke iht. EPTA Procedure 05/2009	7,5 J	7,5 J
Halsdiameter	66 mm	66 mm
Vægt svarer til EPTA-procedure 01/2014	5,9 kg	5,9 kg
Støjinformation Måleværdier beregnes iht. EN 62841. Værktøjets A-vurderede støjniveau er typisk:		
Lydtrykniveau (Usikkerhed K=3dB(A))	97,0 dB (A)	94,0 dB (A)
Lydeffekt niveau (Usikkerhed K=3dB(A))	105,0 dB (A)	102,0 dB (A)
Brug høreværn!		
Vibrationsinformation Samlede vibrationsværdier (værdi for tre retninger) beregnet iht. EN 62841.		
Mejsle: Vibrationseksponering a _{h,Chq} Usikkerhed K=	12,8 m/s ² 1,5 m/s ²	11,3 m/s ² 1,5 m/s ²

ADVARSEL!

Det vibrations- og støjmissionsniveau, der nævnes i dette oplysningskema, er blevet målt i overensstemmelse med en standardiseret test fra EN 62841, og det kan bruges til at sammenligne ét værktøj med et andet. Det kan bruges til en foreløbig bedømmelse af eksponeringen.

Det erklærede vibrations- og støjmissionsniveau repræsenterer værktøjets primære anvendelsesformål. Det er dog sådan, at hvis værktøjet bruges til andre formål, med forskelligt tilbehør eller dårlig vedligehold, så kan vibrations- og støjmissionen variere. Det kan evt. øge eksponeringsniveauet markant i løbet af det samlede arbejdstidsrum.

En vurdering af eksponeringsniveauet ift. vibration og støj bør også tage hensyn til de tidspunkter, hvor værktøjet er slukket eller hvor det kører, men rent faktisk ikke udfører jobbet. Det kan evt. mindske eksponeringsniveauet markant i løbet af det samlede arbejdstidsrum. Identificér yderligere sikkerhedsforanstaltninger med henblik på at beskytte brugeren mod effekten af vibration og/eller støj, som fx: vedligehold værktøjet og tilbehøret, hold hænderne varme, organisering af arbejdsmonstre.

ADVARSEL Læs alle sikkerhedsanvisninger, anvisninger, instruktioner og data, der følger med enheden. I tilfælde af manglende overholdelse af advarselshenvisningerne og instrukserne er der risiko for elektrisk stød, brand og/eller alvorlige kvæstelser.
Opbevar alle advarselshenvisninger og instrukser til senere brug.

SIKKERHEDSFORSKRIFTER FOR BOREHAMMER

Sikkerhedsanvisninger for alle brugssituationer

Bær høreværn. Støjen kan føre til nedsat hørelse.

Brug de ekstra håndtag, som følger med apparatet. Hvis kontrollen mistes, kan det medføre personskade.

Hold altid kun elværktøjet i de isolerede gribeblade, når du udfører arbejde, hvor indsatsværktøjet kan ramme bøjede strømledninger eller værktøjets eget kabel. Kommer skæreværktøjet i kontakt med en strømførende ledning, kan maskinens metaldele komme under spænding og give elektrisk stød.

Sikkerhedsoplysninger vedrørende brug af borehammer med lange bor

Start altid med at bore ved en lav hastighed og med bittens spids i kontakt med arbejdsmediet. Ved højere hastigheder kan bittens blive bøjet, hvis den får lov til at rotere frit uden kontakt med arbejdsmediet, hvilket kan føre til personskade.

Påfør kun tryk i direkte linje med bittens og tryk ikke for hårdt. Bits kan bøje, hvilket kan forårsage brud eller at kontrollen mistes, og føre til personskade.

Yderligere sikkerheds- og arbejdsinformationer

Brug beskyttelsesudstyr og hav altid beskyttelsesbriller på. Brug af sikkerhedsudstyr som f.eks. støvmaske, skridsikket fodtøj, beskyttelseshjelm eller høreværn afhængig af maskintype og anvendelse nedsætter risikoen for personskader.

Støv, som opstår i forbindelse med fræsearbejdet, er ofte sundhedskadeligt og må ikke trænge ind i kroppen. Brug en støvsuger og bær egnet støvbeskyttelsesmaske. Fjern grundigt aflejet støv (f.eks. ved opsugning).

Der må ikke bearbejdes nogen materialer, der kan udgøre en sundhedsrisiko (f.eks. asbest).

Ved arbejdsboring i væg, loft eller gulv skal man passe på elektriske kabler, gas- og vandledninger.

Sørg for at sikre dit emne med en spændeanordning. Ikke sikrede

emner kan forårsage alvorlige kvæstelser og beskadigelser.

Tilslutningskablet holdes hele tiden væk fra maskinens arbejdsområde. Kablet ledes altid bort bag om maskinen.

Sluk straks for maskinen, hvis indsatsværktøjet er blokeret! Tænd ikke for maskinen igen, så længe indsatsværktøjet er blokeret; dette kan føre til et tilbageslag med højt reaktionsmoment. Find frem til og afhjælp årsagen til indsatsværktøjets blokering under hensyntagen til sikkerhedsinstruktionerne.

Mulige årsager herfor kunne være:

- at det sidder i klemme i emnet der bearbejdes
- Gennembrud af det materiale, som skal bearbejdes
- at el-værktøjet er overbelastet

Grib ikke ind i maskinen, når den kører.

Indføringsværktøjet har skarpe kanter og kan blive varmt under brug.

ADVARSEL! Risiko for snitsår og forbrændinger

- ved håndtering af indføringsværktøj

- når man lægger maskinen fra sig

Brug beskyttelseshandsker ved håndtering af indføringsværktøj.

Spåner eller splinter må ikke fjernes, medens maskinen kører.

Før ethvert arbejde ved maskinen skal stikket tages ud af stikdåsen.

BETJENING

Kold start

Hvis dette værktøj opbevares i en længere periode eller ved kolde temperaturer, kan det muligvis ikke hamre i starten, fordi smøremidlet er stivnet.

Opvarmning af værktøjet

1. Indsæt og løs en bit eller en mejsel ind i værktøjet.
2. Tryk på startknappen og udøv kraft på bittens eller mejslens mod en beton- eller træoverflade i et par sekunder. Giv slip på startknappen.
3. Gentag, indtil værktøjet begynder at hamre. Jo koldere værktøjet er, jo længere vil det tage at varme op.

TILTÆNKT FORMÅL

Hammeren kan benyttes til mejsling i sten og beton.

NETTILSLUTNING

Stikdåser udendørs skal være forsynet med fejlstrømssikrings-kontakter (FI, RCD, PRCD). Det forlanger installationsforskriften for Deres elektroanlæg. Overhold dette, når De bruger vores maskiner.

Tilslutning må kun foretages til enfasnet vekselstrøm og kun til en netspænding, som er i overensstemmelse med angivelsen på mærkepladen. Tilslutning kan også ske til stikdåser uden beskyttelseskontakt, da kapslingsklasse II foreligger.

Maskinen sluttes kun udkoblet til stikdåsen.

VEDLIGEHOLDELSE

Hold altid maskinens ventilationsåbninger rene.

Hvis nettilslutningsledningen bliver beskadiget, skal den udskiftes hos kompetent kundeservice, idet dette kræver specielt værktøj.

Brug kun Milwaukee-tilbehør og Milwaukee-reservedele.

Komponenter, hvor udskiftningsprocedurer ikke er beskrevet, skal skiftes ud hos et Milwaukee-servicested (se brochure garanti/kundeserviceadresser).

Ved opgivelse af type nr. der er angivet på maskinens effektskilt, kan de rekvirere en reservedelstegning, ved henvendelse til: Techtronic Industries GmbH, Max-Eyth-Straße 10, 71364 Winnenden, Germany.

SYMBOLER



Læs brugsanvisningen nøje før brugtagning.



VIGTIGT! ADVARSEL! FARE!



Før ethvert arbejde ved maskinen skal stikket tages ud af stikdåsen.



Når der arbejdes med maskinen, skal man have beskyttelsesbriller på.



Bær høreværn.



Benyt egnet åndedrætsværn.



Brug beskyttelseshandsker!



Tilbehør - Ikke inkluderet i leveringsomfanget.



Affald af elektrisk og elektronisk udstyr må ikke bortskaffes sammen med husaffald. Affald af elektrisk og elektronisk udstyr skal indsamles og bortskaffes særskilt. Fjern lysmidler fra udstyret, inden det bortskaffes. Spørg efter genbrugsstationer og indsamlingssteder hos de lokale myndigheder eller din fagforhandler. Alt efter de lokale bestemmelser kan detailhandlende være forpligtede til gratis at tage affald af elektrisk og elektronisk udstyr tilbage. Bidrag til at nedbringe behovet for råmaterialer ved at genbruge og genanvende dit affald af elektrisk og elektronisk udstyr. Affald af elektrisk og elektronisk udstyr indeholder værdifulde, genanvendelige materialer, som kan have en negativ effekt på miljøet og dit helbred ved ikke miljørigtig bortskaffelse. Slet inden bortskaffelsen personrelaterede data, som måtte befinde sig på dit affald af udstyr.



Kapslingsklasse II elværktøj. Elværktøj, hvor beskyttelsen mod et elektrisk stød ikke kun afhænger af basisisoleringen men også af, at der anvendes yderligere beskyttelsesforanstaltninger som dobbelt isolering eller forstærket isolering. Der findes ikke udstyr til tilslutning af en beskyttelsesleder.



n₀ Omdrejningstal, ubelastet



CE-KONFORMITETSERKLÆRING

Vi erklærer som eneansvarlige, at produktet, som beskrives under "Tekniske data", opfylder alle de relevante bestemmelser i direktiverne 2011/65/EU (RoHS) 2006/42/EF 2014/30/EU og følgende harmoniserede standarder er blevet anvendt EN 62841-1+A11:2022 EN 62841-2-6:2020 +A11:2020 EN IEC 55014-1:2021 EN IEC 55014-2:2021 EN IEC 61000-3-2:2019+A1:2021 EN 61000-3-3:2013+A1:2019+A2:2021 EN IEC 63000:2018

Målte værdier ifølge 2000/14/EF ved brugerens øre. Procedure for overensstemmelsesvurdering i henhold til bilag VI.

EU Nævnte sted:
DEKRA Testing and Certification GmbH,
Handwerkstraße 15, 70565 Stuttgart
Location Certification Body, Dinnendahlstr. 9, 44809 Bochum,
Germany
Nævnte sted nummer: 0158

Målt lydeffektniveau: 97,6 dB (A)

Garanteret lydeffektniveau: 100,0 dB (A)

CE Winnenden, 2023-01-20

Alexander Krug / Managing Director
Autoriseret til at udarbejde de tekniske dokumenter.
Techtronic Industries GmbH
Max-Eyth-Straße 10, 71364 Winnenden, Germany

Dansk

TEKNISKE DATA Meiselhammer	K 500 ST 220-240 V	K 500 ST 110-120 V
Produktionsnummer	4431 81 07... 4439 21 07... ... 000001-999999	4433 46 07... ... 000001-999999
Nominell inngangseffekt	1100 W	1100 W
Avgitt effekt	550 W	550 W
Lastslag tall maks.	3000 min ⁻¹	3000 min ⁻¹
Enkeltslagstyrke tilsvarende EPTA-Procedure 05/2009	7,5 J	7,5 J
Spennhals-ø	66 mm	66 mm
Vekt i henhold til EPTA-Prosedyren 01/2014	5,9 kg	5,9 kg
Støyinformasjon Måleverdier fastslått i samsvar med EN 62841. Det typiske A-bedømte støynivået for maskinen er:		
Lydtryknivå (Usikkerhet K=3dB(A))	97,0 dB (A)	94,0 dB (A)
Lydeffektnivå (Usikkerhet K=3dB(A))	105,0 dB (A)	102,0 dB (A)
Bruk hørselsvern!		
Vibrasjonsinformasjoner Totale svingningsverdier (vektorsum fra tre retninger) beregnet jf. EN 62841.		
Meisling: Svingningsemisjonsverdi a _{h, Cheq} Usikkerhet K=	12,8 m/s ² 1,5 m/s ²	11,3 m/s ² 1,5 m/s ²

ADVARSEL!

De angitte vibrasjonseksposering- og støynivåverdiene har blitt målt i samsvar med standardiserte målemetoder jmfør EN 62841 og kan brukes til å sammenligne et verktøy med et annet. De kan brukes til en foreløpig eksponeringsvurdering.

De angitte vibrasjonseksposering- og støyemisjonsverdiene gjelder for vanlig bruk av verktøyet. Dersom verktøyet blir brukt til noe annet, sammen med annet utstyr eller er dårlig vedlikeholdt kan de angitte vibrasjonseksposering- og støyeverdiene variere. Dette kan øke eksponerings- og emisjonsverdiene betraktelig for hele perioden du bruker verktøyet.

Når en vurderer vibrasjonseksposeringsnivået og støyeverdi må en inkludere den perioden som verktøyet er slått av eller når verktøyet går, men ikke direkte brukes til noe. Dette kan redusere eksponeringsnivået betraktelig over hele perioden som verktøyet er i bruk.

Det er viktig å etablere ytterligere sikkerhetstiltak for å beskytte brukeren mot påvirkning av vibrasjon og/eller støy, slik som: vedlikehold av verktøyet og tilleggsutstyr, hold hendene varme, organiserte arbeidsrutiner.

ADVARSEL Les alle sikkerhetsanvisninger, instruksjer, bildeforklaringer og data som fulgte med maskinen. Feil ved overholdelsen av advarslene og nedenstående anvisninger kan medføre elektriske støt, brann og/eller alvorlige skader.
Ta godt vare på alle advarslene og informasjonene.

SIKKERHETSINSTRUKSJONER FOR BORHAMMER

Sikkerhetsregler for alle arbeidere

Bruk hørselsvern. Støy kan føre til tap av hørselen.

Bruk de med apparatet medleverte tilleggshandtak. Tap av kontrollen kan føre til skader.

Ta kun tak i elektroverktøyet på de isolerte gripeflatene, hvis du utfører arbeid der innsatsverktøyet kan treffe på skjulte strømløpninger eller den egne strømløpningen. Kontakt med en ledning som er under spenning, kan også sette metalleder til apparatet under spenning og føre til et elektrisk slag.

Sikkerhetsinstruksjer for bruk av borhammeren med lange bor.
Start alltid med drillingen ved lav hastighet og mens bitsen er i kontakt med arbeidsemne. Høyere hastigheter kan fort føre til at bitsen blir bøyd hvis den roterer fritt uten kontakt til emne - det kan føre til personskaade.

Utøv press kun i direkte forlengelse av bitsen og ikke påfør overdrevent press. Bits kan bli bøyd og knekke, noe som fører til at man mister kontrollen og blir utsatt for faren for personskaade.

Ytterlige sikkerhets- og arbeidsinstruksjoner

Bruk personlig verneutstyr og husk alltid å bruke vernebriller. Bruk av personlig sikkerhetsutstyr som støvmaske, sklifaste arbeidssko, hjelm eller hørselsvern – avhengig av type og bruk av elektroverktøyet – reduserer risikoen for skader.

Støv som oppstår under arbeidet er ofte helsefarlig og bør ikke komme inn i kroppen. Bruk støvavsug og i tillegg egnete støvbeskyttelsesmaske. Fjern oppsamlet støv grundig, f.eks. oppsuging.

Materialer som er helsefarlig skal ikke bearbeides (f.eks.. asbest)

Pass på kabler, gass- og vannledninger når du arbeider i vegger, tak eller gulv.

Klem fast arbeidsemnet med en spenninnetning. Ikke sikrede arbeidsemner kan ha alvorlige helseskader og skader av material til følge.

Hold ledningen alltid vekk fra maskinens virkeområde. Før ledningen alltid bakover fra maskinen.

Slå av apparatet med en gang dersom det isatte verktøyet er blokkert! Ikke slå apparatet på igjen så lenge det isatte verktøyet

Norsk

er blokkert; her kan det oppstå et tilbakeslag med høyt reaksjonsmoment. Finn ut hvorfor det isatte verktøyet blokkerer og fjern årsaken til dette. Ta herved hensyn til sikkerhets instruksene.

Mulige årsaker kan være:

- det har forkantet seg i arbeidsemnet som bearbejdes
- Gjennombrøytning av materialet som bearbejdes
- elektroverktøyet er overbelastet

Ikke grip inn i maskinen når den står på og går.

Tilbehøret har skarpe kanter og kan bli varmt under bruken.

ADVARSEL! Fare for kutt og forbrenninger

- ved håndtering av tilbehøret

- når apparatet legges ned

Bruk vernehansker ved håndteringen av tilbehøret.

Spon eller fliser må ikke fjernes mens maskinen er i gang.

Trekk støpslet ut av stikkkontakten før du begynner arbeider på maskinen.

BRUK

Kaldstart

Hvis dette verktøyet lagres i en lengre periode eller ved kalde temperaturer, kan det ikke hamre med en gang fordi smøringen er blitt stiv.

Å varme opp verktøyet

1. Sett inn og lås en krone eller meisel i verktøyet.
2. Trekk i startbryteren og bruk kraft på kronen eller meiselen mot en betong- eller treoverflate i noen sekunder. Slipp startbryteren.
3. Gjenta til verktøyet begynner å hamre. Jo kaldere verktøyet er, desto lenger tid vil det ta å varme det opp.

FORMÅLSMESSIG BRUK

Hammeren kan brukes for meisling i steinarter og betong.

NETTILKOPLING

Stikkontakter utendørs må være utstyrt med feilstrøm-sikkerhetsbryter (FI, RCD, PRCD). Dette forlanges av installasjonsforskriften for elektroanlegg. Vennligst følg dette når du bruker vårt apparat.

Skal bare tilsluttes enfasevekselstrøm og bare til den på skiltet angitte nettspenning. Tilslutning til stikkontakter uten jordet kontakt er mulig fordi beskyttelse beskyttelsesklasse II er forhanden.

Maskinen må være slått av når den koples til stikkkontakten.

VEDLIKEHOLD

Hold alltid luftenåpningene på maskinen rene.

Er det skade på nettkabelen, må den skiftes av kundeservice, fordi det behøves spesialverktøy.

Bruk kun Milwaukee tilbehør og Milwaukee reservedeler. Komponenter der utskifting ikke er beskrevet skal skiftes ut hos Milwaukee kundeservice (se brosjyre garanti/kundeservice-adresser).

Ved behov kan du be om en eksplosjonstegning av apparatet hos din kundeservice eller direkte hos Techtronic Industries GmbH, Max-Eyth-Straße 10, 71364 Winnenden, Germany. Oppgi maskintype og det nummeret på typeskiltet.

SYMBOLER



Les nøye gjennom bruksanvisningen før maskinen tas i bruk.



OBS! ADVARSEL! FARE!



Trekk støpslet ut av stikkkontakten før du begynner arbeider på maskinen.



Bruk alltid vernebrille når du arbeider med maskinen.



Bruk hørselsvern.



Bruk derfor vernemaske som er egnet for støv.



Bruk vernehansker!



Tilbehør - inngår ikke i leveransen.



Elektrisk og elektronisk avfall skal ikke avfallshåndteres sammen med husholdningsavfallet. Elektrisk og elektronisk avfall skal samles kildesortert og avfallshåndteres.

Fjern lysmiddelet fra apparatene før de kasseres. Be om informasjon hos de lokale myndighetene eller hos din fagforhandler om miljøstasjoner og samlesteder. Avhengig av de lokale bestemmelsene kan detaljhandlere være forpliktet til å ta tilbake elektrisk og elektronisk avfall uten kostnader. Bidra til å redusere behovet for råmaterialer ved å sørge for gjenbruk og resirkulering av ditt elektriske og elektroniske avfall. Elektrisk og elektronisk avfall inneholder verdifulle, gjenbrukbare materialer som ved ikke-miljøriktig avfallshåndtering kan ha negative konsekvenser for miljøet og din helse. Slett først eventuelle personrelaterede data fra det brukte apparatet før det avfallshåndteres.



Elektroverktøy av verneklasse II. Elektroverktøy hvor beskyttelse mot elektrisk slag ikke bare er avhengig av basisisoleringen, men som også er avhengig av at tilleggs vernetiltak som dobbelt eller forsterket isolering blir brukt. Det finnes ingen innretning for tilkobling av en beskyttelsesleder.

n₀

v

~

CE

UK

001

EAC

001

EAC

001

EAC

001

EAC

001

EAC

001

EAC

001

EAC

001

EAC

001

EAC

CE-SAMSVARERKLÆRING

Vi erklærer i alene ansvar at produktet beskrevet i „Teknisk data“ overensstemmer med alle relevante forskrifter til Eu direktiv 2011/65/EU (RoHS)

2006/42/EC

2014/30/EU

og de følgende harmoniserte normative dokumentene. fyrstikker

EN 62841-1+A11:2022

EN 62841-2-6:2020 +A11:2020

EN IEC 55014-1:2021

EN IEC 55014-2:2021

EN IEC 61000-3-2:2019+A1:2021

EN 61000-3-3:2013+A1:2019+A2:2021

EN IEC 63000:2018

Målerverdiene undersøkt tilsvarende norm 2000/14/EG ved øret til bruker. Konformitetsvurderingsprosedyre i henhold til Annex VI.

EU Nevnte sted:

DEKRA Testing and Certification GmbH,

Handwerkstraße 15, 70565 Stuttgart

Location Certification Body, Dinnendahlstr. 9, 44809 Bochum,

Germany

Nevnte sted Antall: 0158

Målt lydeffektnivå: 97,6 dB (A)

Garantert lydeffektnivå: 100,0 dB (A)



Winnenden, 2023-01-20

Alexander Krug / Managing Director

Autorisert til å utarbeide den tekniske dokumentasjonen

Techtronic Industries GmbH

Max-Eyth-Straße 10, 71364 Winnenden, Germany

TEKNISKA DATA Mejselhammare	K 500 ST 220-240 V	K 500 ST 110-120 V
Produktionsnummer	4431 81 07... 4439 21 07... ... 000001-999999	4433 46 07... ... 000001-999999
Nominell upptagen effekt	1100 W	1100 W
Uteffekt	550 W	550 W
Belastat slagtal max.	3000 min ⁻¹	3000 min ⁻¹
Enkelslagstyrka enligt EPTA Procedure 05/2009	7,5 J	7,5 J
Maskinhals diam.	66 mm	66 mm
Vikt enligt EPTA 01/2014	5,9 kg	5,9 kg
Bullerinformation Mätvärdena har tagits fram baserade på EN 62841. A-värdet av maskinens ljudnivå utgör:		
Ljudtrycksnivå (Onoggrannhet K=3dB(A))	97,0 dB (A)	94,0 dB (A)
Ljudeffektsnivå (Onoggrannhet K=3dB(A))	105,0 dB (A)	102,0 dB (A)
Använd hörselskydd!		
Vibrationsinformation Totala vibrationsvärden (vektorsumma ur tre riktningar) framtaget enligt EN 62841.		
Mejsla: Vibrationsemissionsvärde a _{h,cheq} Onoggrannhet K=	12,8 m/s ² 1,5 m/s ²	11,3 m/s ² 1,5 m/s ²

WARNING!

De deklarerade vibrations- och bullernivåerna på detta informationsblad har uppmätts i enlighet med en standardiserad testmetod enligt EN 62841 och kan användas för att jämföra ett verktyg med ett annat. Det kan användas för en preliminär bedömning av exponeringen.

Den angivna vibrations- och bullernivåer representerar verktygets huvudsakliga tillämpningar. Om verktyget emellertid används för olika tillämpningar, med olika eller dåligt underhållna tillbehör, kan vibrations- och bullerutsläppet variera. Detta kan öka exponeringsnivån avsevärt över den totala arbetsperioden.

En uppskattning av exponeringsnivån för vibrationer och buller bör även ta hänsyn till de tider då verktyget är avstängt eller när det körs utan att faktiskt arbeta. Detta kan avsevärt minska exponeringsnivån över den totala arbetsperioden.

Identifiera ytterligare säkerhetsåtgärder för att skydda operatören mot effekterna av vibrationer och/eller buller såsom: underhåll av verktyget och tillbehören, hålla händerna varma, organisation av arbetsmönster.

⚠ WARNING Läs alla säkerhetsanvisningar, instruktioner, beskrivningar och uppgifter som du får tillsammans med apparaten. Fel som uppstår till följd av att anvisningarna nedan inte följts kan orsaka elstöt, brand och/eller allvarliga kroppsskador.

Förvara alla varningar och anvisningar för framtida bruk.

⚠ SÄKERHETSANVISNINGAR FÖR BORRHAMMARE

Säkerhetsanvisningar för alla åtgärder

Bär hörselskydd. Buller kan leda till att du förlorar hörseln.

Använd de extrahandtag som levereras tillsammans med maskinen. Förlust av kontrollen kan leda till personsador.

Håll fast elverktyget endast vid de isolerade handtagen när arbeten utförs på ställen där insatsverktyget kan skada dolda elledningar eller egen nätsladd. Om man kommer i kontakt med en spänningsförande ledning, så kan även de delar på verktyget som är av metall bli spänningsförande och leda till att man får en elektrisk stöt.

Säkerhetsanvisningar för användning av borrhammaren med långa borrar

Börja alltid borra vid en låg hastighet och säkerställ att borrhkronan har kontakt med arbetsstycket. Om en högre hastighet används,

är risken hög för att borrhkronan böjs om den tillåts rotera fritt utan kontakt med arbetsstycket, vilket kan leda till personsador.

Applicera enbart tryck i linje med borrhkronan och använd inte för mycket kraft. Borrhkronor kan böjas vilket leder till brott eller förlust av kontroll, vilket kan leda till personsador.

Övriga säkerhets- och användningsinstruktioner

Bär alltid personlig skyddsutrustning och skyddsglasögon. Användning av personlig skyddsutrustning som t. ex. dammfiltermask, halkfria säkerhetsskor, skyddshjälm och hörselskydd reducerar alltefter elverktygets typ och användning risken för kroppsskada.

Dammet som uppkommer vid arbeten med denna maskin kan vara skadligt för hälsan om de når kroppen. Använd ett utslagningssystem och bär skyddsmask. Avlägsna kvarblivande damm med t. ex. en dammsugare.

Det är inte tillåtet att bearbeta material som kan vara hälsovådligt (t. ex. asbest).

Vid arbetenborring i vägg, tak eller golv, var alltid observant på befintliga el-, gas- eller vattenledningar.

Säkra arbetsstycket med en fastspänningsanordning. Arbetsstycken som inte är ordentligt fastspända kan leda till allvarlig kroppsskada eller annan skada.

Nätkabeln skall alltid hållas ifrån arbetsområdet. Lägg kabeln bakåt i förhållande till arbetsriktningen.

Stäng av maskinen omedelbart om ett verktyg som används sitter fast! Sätt sedan inte på maskinen igen så länge som verktyget som används fortfarande sitter fast; risk för okontrollerade slag med högt reaktionsmoment. Ta reda på orsaken varför verktyget fastnade och åtgärda orsaken med hänsyn till säkerhetsanvisningarna.

Möjliga orsaker kan vara:

- Verktyget sitter snett i arbetsstycket
- Materialet som ska bearbetas har gått sönder
- Elverktyget är överbelastat

Gå aldrig med händerna in i en maskin som är igång.

Införingsverktyget har en vass egg och kan bli het under användning.

WARNING! Risk för skärsår och brännskador

- vid hantering av införingsverktygen

- när man lägger ifrån sig maskinen

Använd skyddshandskar när du hanterar införingsverktyg.

Avlägsna aldrig spån eller flisor när maskinen är igång.

Drag alltid ur kontakten när du utför arbeten på maskinen.

DRIFT

Kallstart

Om detta verktyg lagras under en lång tid eller vid kalla temperaturer, kan det hända att det inte hamrar till att börja med eftersom smörjningen har blivit styv.

Hur man värmer upp verktyget

1. Sätt i och läs ett skär eller en mejsel i verktyget.
2. Tryck på-/av-knappen och utöva kraft på skäret eller mejseln mot en betong- eller träyta under några sekunder. Släpp på-/av-knappen.
3. Upprepa tills verktyget börjar hamra. Ju kallare verktyget är, desto längre tid tar dess uppvärmning.

ANVÄND MASKINEN ENLIGT ANVISNINGARNA

Hammaren kan användas till mejsling i sten och betong.

NÄTANSLUTNING

Anslut alltid verktyget till via en felströmbrytare (FI, RCD, PRCD) vid användning utomhus.

Får endast anslutas till 1-fas växelström och till den spänning som anges på dataskylden. Anslutning kan även ske till eluttag utan skyddskontakt, eftersom konstruktionen motsvarar skyddsklass II. Maskinen skall vara frånkopplad innan den anslutes till väggurtag.

SKÖTSEL

Se till att motorhöljets luftslitsar är rena.

Om nätkabeln är skadad, måste den bytas ut på en godkänd serviceverkstad, då det krävs specialverktyg för detta.

Använd endast Milwaukee-tillbehör och Milwaukee-reservdelar. Komponenter, för vilka inget byte beskrivs, skall bytas ut hos Milwaukee-kundtjänst (se broschyren garanti-/kundtjänstadresser).

Vid behov av sprängskiss, kan en sådan, genom att uppge maskinens art. nr. (som finns på typskylten) erhållas från: Techtronic Industries GmbH, Max-Eyth-Sträße 10, 71364 Winnenden, Germany.

SYMBOLER



Läs instruktionen noga innan du startar maskinen.



OBSERVERA! VARNING! FARA!



Drag alltid ur kontakten när du utför arbeten på maskinen.



Använd alltid skyddsglasögon.



Bär hörselskydd.



Bär därför lämplig skyddsmask.



Bär skyddshandskar!



Tillbehör - Ingår ej i leveransomfånget.



Avfall som utgörs av eller innehåller elektrisk och elektronisk utrustning (WEEE) får inte slängas tillsammans med de vanliga hushållsoporna. WEEE ska samlas och avfallshandteras separat. Ta ut ljuskällor ur produkterna innan de avfallshandteras. Kontakta den lokala myndigheten respektive kommunen eller fråga återförsäljare var det finns speciella avfallsstationer för elkrot. Beroende på de lokala bestämmelserna kan återförsäljare vara skyldiga att ta tillbaka WEEE gratis. Bidra till att minska behovet av råämnen genom återanvändning och återvinning av ditt WEEE. WEEE innehåller värdefulla återvinningsbara material som kan skada miljön och din hälsa om de inte avfallshandteras på korrekt sätt. Tänk på att radera eventuella personuppgifter som kan finnas på din utrustning innan du lämnar den till avfallshandteringen.



Elverktyg skyddsklass II. Elverktyg hos vilket skyddet mot elstöt är inte bara avhängigt av basisoleringen utan också av att det finns extra skyddsåtgärder, som en dubbel isolering eller en förstärkt isolering. Det finns ingen anordning för anslutning av en skyddsledare.



n₀
v Tomgångsvarvtal, obelastad



v Spänning



~ Växelström



CE Europeiskt konformitetsmärke



UKCA Brittiskt konformitetsmärke



Ukrainskt konformitetsmärke



001 EAC Euroasiatiskt konformitetsmärke

CE-FÖRSÄKRAN

Vi tar på vårt ansvar att produkten som har beskrivits under Tekniska data uppfyller alla relevanta villkor i direktiven 2011/65/EU (RoHS) 2006/42/EG 2014/30/EU

samt att följande harmoniserade standarder har använts

EN 62841-1+A11:2022
EN 62841-2-6:2020 +A11:2020
EN IEC 55014-1:2021
EN IEC 55014-2:2021
EN IEC 61000-3-2:2019+A1:2021
EN 61000-3-3:2013+A1:2019+A2:2021
EN IEC 63000:2018

Mätvärdena har beräknats enligt 2000/14/EG vid användarens öron. Process för bedömning av överensstämmelsen enligt annex VI.

EU Nämnt organ:
DEKRA Testing and Certification GmbH,
Handwerkstraße 15, 70565 Stuttgart
Location Certification Body, Dinnendahlstr. 9, 44809 Bochum,
Germany

Nämnt organ siffra: 0158

Uppmätt ljudtrycksnivå: 97,6 dB (A)

Garanterad ljudtrycksnivå: 100,0 dB (A)

CE Winnenden, 2023-01-20

Alexander Krug / Managing Director
Befullmäktigad att sammanställa teknisk dokumentation.

Techtronic Industries GmbH
Max-Eyth-Straße 10, 71364 Winnenden, Germany

Svenska

TEKNISET ARVOT Piikkausvasara	K 500 ST 220-240 V	K 500 ST 110-120 V
Tuotantonumero	4431 81 07... 4439 21 07... ... 000001-999999	4433 46 07... ... 000001-999999
Nimellinen teho	1100 W	1100 W
Antoteho	550 W	550 W
Kuormitettu iskutaajuus maks.	3000 min ⁻¹	3000 min ⁻¹
Kiinnitysiskun voimakkuus vastaa EPTA-Procedure 05/2009	7,5 J	7,5 J
Kiinnityskaulan ø	66 mm	66 mm
Paino EPTA-menettelyn 01/2014 mukaan	5,9 kg	5,9 kg
Melunpäästötiedot Mitta-arvot määritetty EN 62841 mukaan. Koneen tyypillinen A-luokitettu melutaso:		
Melutaso (Epävarmuus K=3dB(A))	97,0 dB (A)	94,0 dB (A)
Äänenvoimakkuus (Epävarmuus K=3dB(A))	105,0 dB (A)	102,0 dB (A)
Käytä kuulosuojaimia!		
Tärinätiedot Värähtelyn yhteisarvot (kolmen suunnan vektorisummitattuna EN 62841 mukaan).		
taltaus:		
Värähtelyemissioarvo a _{h, Cheq}	12,8 m/s ²	11,3 m/s ²
Epävarmuus K=	1,5 m/s ²	1,5 m/s ²

VAROITUS!

Tässä tiedotteessa ilmoitettu (ilmoitetut) tärinä- ja melunpäästöarvo(t) on mitattu standardisoidulla testimenetelmällä SFS-EN 62841 mukaisesti ja sitä voidaan käyttää työkalun vertailemiseen toisen työkalun kanssa. Sitä voidaan käyttää alustavaan altistuksen arviointiin.

Ilmoitettu tärinä- ja melunpäästöarvo koskee työkalun pääkäyttötarkoituksia. Jos kuitenkin työkalua käytetään eri käyttötarkoituksiin eri varusteiden kanssa tai huonosti huollettuna, voi tärinä- ja melupäästö erota ilmoitetusta. Tämä voi merkittävästi nostaa altistumistasoa koko työskentelyjakson ajaksi.

Arvioidussa tärinä- ja meluallistustasossa tulisi ottaa huomioon myös työkalun sammutuskerrat tai sen tyhjäkäynti. Tämä voi merkittävästi laskea altistumistasoa koko työskentelyjakson ajaksi.

Tunnista esimerkiksi seuraavat lisävarotoimet, joilla voidaan suojata käyttäjää tärinän ja/tai melun vaikutuksilta: työkalun ja varusteiden ylläpito, käsien lämpimänä pito, työnkulun organisointi.

VAROITUS Lue kaikki varotoimenpiteet, ohjeet, turvalliset esitykset ja tiedot, jotka toimitetaan laitteen mukana. Turvallisuusohjeiden noudattamisen laiminlyönti saattaa johtaa sähköiskuun, tulipaloon ja/tai vakavaan loukkaantumiseen. **Säilytä kaikki turvallisuus- ja muut ohjeet tulevaisuutta varten.**

TURVALLISUUS OHJEET PORAVASARASSA

Turvallisuusohjeet kaikkiin toimintoihin

Käytä korvasuojia. Melulle altistuminen voi heikentää kuuloa.

Käytä koneen mukana toimitettua apukahvaa. Koneen hallinnan menetys saattaa aiheuttaa henkivahinkoja.

Tartu sähkötyökaluun ainoastaan eristetyistä pinnoista, tehdessäsi työtä, jossa saattaisit osua piilossa olevaan sähköjohtoon tai sahan omaan sähköjohtoon. Leikkaustyökalun yhteys jännitteelliseen johtoon saattaa tehdä laitteen metalliset osat jännitteellisiksi ja aiheuttaa sähköiskun.

Turvallisuusmääräykset käytettäessä poravasaraa pitkien poranterien kanssa

Aloita poraus aina alhaisella nopeudella ja siten, että poranterä on kosketuksissa työkappaleeseen. Maksiminopeuden ylityksessä

poranterä taipuu helposti, jos sen annetaan pyöriä vapaasti ilman kontaktia työkappaleeseen, mikä aiheuttaa henkivahinkoja.

Lisää painetta vain suorassa linjassa poranterään äläkä koskaan paina liikaa. Poranterät voivat taipua ja aiheuttaa halkeamia tai hallinnan menettämisen laitteesta, mikä voi johtaa henkivahinkoihin.

Täydentäviä turvallisuusmääräyksiä ja työskentelyohjeita

Käytä suojavarusteita. Käytä aina suojalaseja. Henkilökohtaisen suojavarustuksen käyttö, kuten pölynaamarin, luistamattomien turvakengien, suojakypärän tai kuulonsuojaimien, riippuen sähkötyökalun lajista ja käyttötavasta, vähentää loukaantumisriskiä.

Työstössä syntyvä pöly saattaa olla terveydelle vahingollista, joten sen koskettaminen tai hengittäminen tulisi välttää. Liitä kone kohdeimujärjestelmään ja käytä sopivaa pölysuojaa kasvoilla. Poista laskeutunut pöly huolellisesti esimerkiksi pölynimurilla.

Terveydellisiä vaaroja aiheuttavien materiaalien (esim. asbestin) työstäminen on kielletty.

Varo seinään, kattoon tai lattiaan porattaessa osumasta sähköjohtoon, kaasu- ja vesijohtoihin.

Varmista työstökappaleesi kiinnityslaitteella paikalleen. Varmista mattomat työstökappaleet saattavat aiheuttaa vakavia vammoja ja vaurioita.

Suomi

Pidä sähköjohto poissa koneen käyttöalueelta. Siirrä se aina taaksesi.

Jos käytetty työkalu juuttuu kiinni, sammuta laite heti! Älä kytkä laitetta uudelleen päälle työkalun ollessa vielä kiinni juuttuneena, koska tästä saattaa aiheutua voimakas takaisku. Selvitä työkalun juuttumisen syy ja poista syy turvallisuusmääräyksiä noudattaen.

Mahdollisia syitä saattavat olla:

- työkalun vinoutuminen työstökappaleessa
- Työstettävän materiaalin läpimeno
- sähkötyökalun ylikuormitus

Älä tartu käynnissä olevan koneen työosiin.

Työkalu on teräväreunainen ja voi kuumentua käytön aikana.

VAROITUS! Viiltohaavojen ja palovammojen vaara

- työkaluja käytettäessä
- laitetta pois laskettaessa

Käytä työkalujen käsittelyn aikana suojakäsineitä.

Lastuja tai puruja ei saa poistaa koneen käydessä.

Irrota aina pistotulppa seinäkoskettimesta ennen koneeseen tehtäviä toimenpiteitä.

KÄYTTÖ

Kylmäkäynnistys

Jos työkalu on varastoitu pidemmäksi aikaa tai kylmässä, mahdollisesti se ei aluksi vasaroi, sillä sen voitelu on jäykistynyt.

Työkalun lämmittäminen

1. Aseta poranterä tai taltta työkaluun.
2. Vedä liipaisimesta ja paina poranterää tai talttaa betoni- tai puupintaa vasten muutamien sekuntien ajan. Päästä irti virtakytkimestä.
3. Toista, kunnes työkalu alkaa vasaroimaan. Mitä kylmempi työkalu on, sitä pidempään sen lämpeneminen kestää.

TARKOITUKSEN MUKAINEN KÄYTTÖ

Vasara soveltuu yleiseen kiventalttaukseen, ja betonin.

VERKKOLIITÄNTÄ

Ulkokäytössä olevat pistorasiat on varustettava vikavirta-suojakytkimillä (FI, RCD PRCD) sähkölaitteistosi asennusmääräyksen mukaisesti. Muista tarkistaa, että laite liitetään ulkokäytössä ulkopistorasiaan ja neuvottele asiasta sähköasentajasi kanssa.

Yhdistä ainoastaan yksivaiheiseen vaihtovirtaan, jonka verkkojännite on sama kuin tyyppikilvessä ilmoitettu. Myös liittäminen maadoittamattomiin pistorasioihin on mahdollista, sillä rakenne vastaa turvallisuusluokkaa II.

Varmista, että kone on sammutettu ennen kytkemistä sähköverkkoon.

HUOLTO

Pidä moottorin ilmanottoaukut puhtaina.

Jos verkkoliitäntäjohto on vioittunut, niin huoltopalvelun täytyy vaihtaa se uuteen, koska vain heillä on tähän tarvittavat erikoistyökalut.

Käytä ainoastaan Milwaukee lisätarvikkeita ja Milwaukee varaosia. Mikäli jokin komponentti, jota ei ole kuvailtu, tarvitsee vaihtoa ota yhteys johonkin Milwaukee palvelupisteistä (kts. listamme takuuhuoltoliikkeiden/ palvelupisteiden osoitteista)

Tarpeen vaatiessa voit pyytää lähettämään laitteen kokoonpanopiirustuksen ilmoittamalla arvokilven numeron seuraavasta osoitteesta: Techtronic Industries GmbH, Max-Eyth-Straße 10, 71364 Winnenden, Germany.

SYMBOLIT



Lue käyttöohjeet huolellisesti, ennen koneen käynnistämistä.



HUOMIO! VAROITUS! VAARA!



Irrota aina pistotulppa seinäkoskettimesta ennen koneeseen tehtäviä toimenpiteitä.



Käytä laitteella työskennellessäsi aina suojalaseja.



Käytä korvasuojia.



Koneella työskennellessä on käytettävä sopivaa suojainta.



Käytä suojakäsineitä!



Lisälaitte - Ei sisälly vakiovarustukseen.



Älä hävitä sähkö- ja elektroniikkaromua lajittelemattomana yhdyskuntajätteenä. Sähkö- ja elektroniikkaromu on kerättävä erikseen. Käytetyt valonlähteet on irrotettava laitteista. Kysy paikallisilta viranomaisilta tai jälleenmyyjiltä neuvoa kierrättämiseen ja tietoa keräyspisteestä. Paikalliset säännökset saattavat velvoittaa vähittäiskauppiat ottamaan sähkö- ja elektroniikkaromun takaisin maksutta. Panoksesi sähkö- ja elektroniikkalaiteromun uudelleenkäytössä ja kierrätyksessä auttaa vähentämään raaka-aineyhteiden kysyntää. Sähkö- ja elektroniikkaromu sisältää arvokkaita, kierrätettäviä materiaaleja, jotka saattavat vaikuttaa haitallisesti ympäristöön ja ihmisten terveyteen, jos niitä ei hävitetä ympäristöystävällisesti. Poista mahdolliset henkilökohtaiset tiedot hävitettävästä laitteesta.



Suojaluokan II sähkötyökalu. Sähkötyökalu, jonka sähköiskunsuojaus ei ole riippuvainen ainoastaan peruseristyksestä, vaan myös siitä, että käytetään lisäturvatoimia, kuten kaksinkertaista eristystä tai vahvistettua eristystä. Laitteessa ei ole suojaajiohjetta liittämiseen tarvittavia varusteita.



Kuormittamaton kierrosloku



Jännite



Vaihtovirta



Euroopan säännönmukaisuusmerkki



Britannian säännönmukaisuusmerkki



Ukrainan säännönmukaisuusmerkki



Euraasian säännönmukaisuusmerkki

TODISTUS CE-STANDARDIN MUKAISUUDESTA

Vakuutamme täten olevamme yksin vastuussa siitä, että kohdassa

”Tekniset tiedot” kuvattu tuote vastaa kaikkia direktiivien merkityksellisiä säädöksiä

2011/65/EU (RoHS)

2006/42/EY

2014/30/EU

ja seuraavia yhdenmukaistettuja standardeja on käytetty

EN 62841-1+A11:2022

EN 62841-2-6:2020 +A11:2020

EN IEC 55014-1:2021

EN IEC 55014-2:2021

EN IEC 61000-3-2:2019+A1:2021

EN 61000-3-3:2013+A1:2019+A2:2021

EN IEC 63000:2018

Mittausarvot mitattu standardin 2000/14/EY käyttäjän korvan viereltä. Standardin mukaisuuden arvosuomenetely liitteen VI mukaan.

EU Nimitetty laitos:

DEKRA Testing and Certification GmbH,

Handwerkstraße 15, 70565 Stuttgart

Location Certification Body, Dinnendahlstr. 9, 44809 Bochum, Germany

Nimitetty laitos määrä: 0158

Mitattu äänen voiman taso: 97,6 dB (A)

Taattu äänen voiman taso: 100,0 dB (A)



Winnenden, 2023-01-20

Alexander Krug / Managing Director

Valtuutettu kokoamaan tekniset dokumentit.

Techtronic Industries GmbH

Max-Eyth-Straße 10, 71364 Winnenden, Germany

ΤΕΧΝΙΚΑ ΣΤΟΙΧΕΙΑ ΚΡΟΥΣΤΙΚΟ ΠΙΣΤΟΛΕΤΟ	K 500 ST 220-240 V	K 500 ST 110-120 V
Αριθμός παραγωγής	4431 81 07... 4439 21 07... ... 000001-999999	4433 46 07... ... 000001-999999
Ονομαστική ισχύς	1100 W	1100 W
Αποδιδόμενη ισχύς.	550 W	550 W
Μέγιστος αριθμός κρούσεων με φορτίο Μέγ.	3000 min ⁻¹	3000 min ⁻¹
Ισχύς μεμονωμένης κρούσης κατά EPTA-Procedure 05/2009	7,5 J	7,5 J
Διάμετρος λαϊμού σύσφιξης	66 mm	66 mm
Βάρος σύμφωνα με τη διαδικασία EPTA 01/2014	5,9 kg	5,9 kg
Πληροφορίες θορύβου Τιμές μέτρησης εξακριβωμένες κατά EN 62841. Η σύμφωνη με την καμπύλη Α εκτιμηθείσα στάθμη θορύβου του μηχανήματος αναφέρεται σε:		
Στάθμη ηχητικής πίεσης (Ανασφάλεια K=3dB(A))	97,0 dB (A)	94,0 dB (A)
Στάθμη ηχητικής ισχύος (Ανασφάλεια K=3dB(A))	105,0 dB (A)	102,0 dB (A)
Φοράτε προστασία ακοής (ωτασπίδες)!		
Πληροφορίες δονήσεων Υλικές τιμές κραδασμών (άθροισμα διανυσμάτων τριών διευθύνσεων) εξακριβώθηκαν σύμφωνα με τα πρότυπα EN 62841.		
Σμίλευση: Τιμή εκπομπής δονήσεων a _{n,cheq} Ανασφάλεια K=	12,8 m/s ² 1,5 m/s ²	11,3 m/s ² 1,5 m/s ²

ΠΡΟΕΙΔΟΠΟΙΗΣΗ!

Το αναφερόμενο στο παρόν φυλλάδιο επίπεδο τιμών δόνησης και εκπομπής θορύβου έχει μετρηθεί σύμφωνα με μια τυπική μέθοδο δοκιμών κατά το πρότυπο EN 62841 και μπορεί να χρησιμοποιηθεί για τη σύγκριση εργαλείων μεταξύ τους. Μπορεί να χρησιμοποιηθεί για μια προκαταρκτική αξιολόγηση της έκθεσης.

Οι αναφερόμενες τιμές επιπέδων δόνησης και εκπομπής θορύβου αντιστοιχούν στις βασικές εφαρμογές του εργαλείου. Στην περίπτωση χρήσης του εργαλείου σε διαφορετικές εφαρμογές, με διαφορετικά εξαρτήματα ή ανεπαρκή συντήρηση, τα επίπεδα δόνησης και εκπομπών θορύβου ενδέχεται να διαφέρουν. Αυτό μπορεί να έχει ως συνέπεια μία σημαντική αύξηση των επιπέδων έκθεσης καθόλη τη διάρκεια εκτέλεσης των εργασιών.

Για μία εκτίμηση των επιπέδων έκθεσης σε δόνηση και θόρυβο πρέπει να συνυπολογίζονται οι χρόνοι απενεργοποίησης του εργαλείου ή αυτοί κατά τους οποίους παραμένει ενεργό χωρίς να εκτελείται κάποια εργασία. Αυτό μπορεί να μειώσει σημαντικά τα επίπεδα έκθεσης καθόλη τη διάρκεια εκτέλεσης των εργασιών.

Ορίστε πρόσθετα μέτρα προστασίας του χειριστή από την έκθεση στη δόνηση ή/και στον θόρυβο όπως: συντήρηση του εργαλείου και των παρελκόμενων εξαρτημάτων, διατήρηση θερμότητας των χεριών, οργάνωση μοτίβων εργασίας.

⚠️ ΠΡΟΕΙΔΟΠΟΙΗΣΗ Διαβάστε όλες τις υποδείξεις ασφαλείας, τις οδηγίες, τις εικόνες και τα δεδομένα, τα οποία θα λάβετε μαζί με το μηχανήμα. Αμέλειες κατά την τήρηση των προειδοποιητικών υποδείξεων μπορεί να προκαλέσουν ηλεκτροπληξία, κίνδυνο πυρκαγιάς ή/και σοβαρούς τραυματισμούς.
Φυλάξτε όλες τις προειδοποιητικές υποδείξεις και οδηγίες για κάθε μελλοντική χρήση.

⚠️ ΟΔΗΓΙΕΣ ΑΣΦΑΛΕΙΑΣ ΓΙΑ ΠΕΡΙΣΤΡΟΦΙΚΟ ΣΦΥΡΙ
Οδηγίες ασφαλείας για όλες τις λειτουργίες

Φοράτε ωτασπίδες. Η επίδραση του θορύβου μπορεί να προκαλέσει απώλεια ακοής.

Χρησιμοποιείτε με τη συσκευή τις προμηθευόμενες πρόσθετες χειρολαβές. Η απώλεια ελέγχου μπορεί να οδηγήσει σε τραυματισμό.

Να πιάνετε το ηλεκτρικό εργαλείο μόνο από τις προβλεπόμενες γι' αυτό το σκοπό μονωμένες επιφάνειές του, όταν εκτελείτε εργασίες στις οποίες υπάρχει κίνδυνος το εργαλείο που χρησιμοποιείτε να συναντήσει

ηλεκτροφόρους αγωγούς ή το δικό του ηλεκτρικό καλώδιο. Η επαφή των κοπτικών εργαλείων με αγωγό τροφοδοσίας τάσης μπορεί να θέσει τα μεταλλικά τμήματα της συσκευής υπ'όταση και να προκαλέσει ηλεκτροπληξία.

Υποδείξεις ασφαλείας για τη χρήση του κρουστικού δραπεάνου με μακρύ τρυπάνι

Αρχίζετε πάντα να τρυπάτε επιλέγοντας χαμηλή ταχύτητα στροφών και με τη μύτη του τρυπανιού σε επαφή με το τεμάχιο προς διάτρηση. Σε υψηλότερες ταχύτητες είναι πιθανή η κάμψη του τρυπανιού, εφόσον αφεθεί να περιστρέφεται ελεύθερα χωρίς να βρίσκεται σε επαφή με το τεμάχιο προς διάτρηση, με επακόλουθο την πρόκληση σωματικής βλάβης.

Εφαρμόζετε πίεση μόνο σε ευθεία γραμμή προς το τρυπάνι και μην ασκείτε υπερβολική πίεση. Τα τρυπάνια μπορεί να λυγίσουν προκαλώντας απώλεια ελέγχου και επακόλουθη πρόκληση σωματικής βλάβης.

Περαιτέρω οδηγίες ασφαλείας και χρήσεως

Φοράτε έναν κατάλληλο για σας προστατευτικό εξοπλισμό και πάντοτε προστατευτικά γυαλιά. Όταν φοράτε έναν κατάλληλο προστατευτικό εξοπλισμό όπως μάσκα προστασίας από σκόνη, αντιολισθητικά υποδήματα ασφαλείας, προστατευτικό κράνος ή ωτασπίδες, ανάλογα με εκάστοτε εργαλείο και τη χρήση του, ελαττώνεται ο κίνδυνος τραυματισμών.

Η δημιουργούμενη κατά την εργασία σκόνη είναι συχνά επιβλαβής για την υγεία και δεν πρέπει να έρχεται σε επαφή με το σώμα. Χρησιμοποιείτε μια διάταξη αναρρόφησης της σκόνης και φοράτε επιπλέον μια κατάλληλη προσωπικά προστασίας από τη σκόνη. Απομακρύνετε επιμελώς τη μαζεμένη σκόνη, π.χ. με αναρρόφηση. Μην επεξεργάζεστε επικίνδυνα για την υγεία υλικά (π.χ. αμίαντος).

Κατά τις εργασίες σε τοίχο, οροφή ή δάπεδο προσέχετε για τυχόν ηλεκτρικά καλώδια και για σωλήνες αερίου και νερού.

Ασφαλίστε το προς κατεργασία κομμάτι στη μέγγενη ή με μια άλλη διάταξη στερέωσης. Μη ασφαλισμένα προς κατεργασία κομμάτια μπορεί να προκαλέσουν σοβαρούς τραυματισμούς και ζημιές.

Κρατάτε το καλώδιο σύνδεσης πάντοτε μακριά από την περιοχή δράσης της μηχανής. Περνάτε το καλώδιο πάντοτε πίσω από τη μηχανή.

Σε περίπτωση μπλοκαρίσματος της αρίδας απενεργοποιείστε αμέσως τη συσκευή! Μην ενεργοποιείτε εκ νέου τη συσκευή όσο η αρίδα είναι μπλοκαρισμένη. Σ' αυτή τη περίπτωση θα μπορούσε να προκύψει υψηλή ροπή αντίδρασης. Βρείτε την αιτία του μπλοκαρίσματος της αρίδας και ξεμπλοκάρτε την λαμβάνοντας υπόψη τις οδηγίες ασφαλείας.

Πιθανές αιτίες γι' αυτό θα μπορούσαν να είναι:

- Η αρίδα μάγκωσε με το προς κατεργασία κομμάτι.
- Θραύση του επεξεργαζόμενου υλικού
- Υπερφόρτωση του ηλεκτρικού εργαλείου.

Μην απλώνετε τα χέρια σας στην επικίνδυνη περιοχή της μηχανής όταν είναι σε λειτουργία.

Το ένθετο εργαλείο είναι αιχμηρό και μπορεί να ζεσταίνεται πολύ κατά τη διάρκεια της εφαρμογής.

ΠΡΟΣΟΧΗ! Κίνδυνος κοψίματος και εγκαυμάτων

- κατά το χειρισμό των ένθετων εργαλείων

- κατά την απόθεση της συσκευής

Κατά το χειρισμό των ένθετων εργαλείων να φοράτε προστατευτικά γάντια.

Τα γρέζια ή οι σκληθρες δεν επιτρέπεται να απομακρύνονται όσο η μηχανή βρίσκεται σε λειτουργία.

Πριν από κάθε εργασία στη μηχανή τραβάτε το φως από την πρίζα.

ΧΕΙΡΙΣΜΟΣ

Ψυχρή εκκίνηση

Εάν το εργαλείο έχει αποθηκευτεί για μεγάλο χρονικό διάστημα ή σε ψυχρές θερμοκρασίες, η κρουστική λειτουργία ενδέχεται να μην είναι διαθέσιμη, επειδή το λιπαντικό έχει σκληρύνει.

Για να θερμάνετε το εργαλείο

1. Προσαρτήστε και ασφαλίστε ένα τρυπάνι ή μια σμίλη στο εργαλείο.
2. Τραβήξτε τη σκανδάλη και ασκήστε δύναμη στο τρυπάνι ή τη σμίλη εναντί μιας πλάκας σκυροδέματος ή μιας επίπεδης ξύλινης επιφάνειας για μερικά δευτερόλεπτα. Απελευθερώστε τη σκανδάλη.
3. Επαναλάβετε μέχρι να αρχίσει η κρουστική λειτουργία του εργαλείου. Όσο πιο κρύο είναι το εργαλείο, τόσο μεγαλύτερο διάστημα θα χρειαστεί για να θερμανθεί.

ΧΡΗΣΗ ΣΥΜΦΩΝΑ ΜΕ ΤΟ ΣΚΟΠΟ ΠΡΟΟΡΙΣΜΟΥ

Το κρουστικό μπορεί να χρησιμοποιηθεί για καλέμισμα σε πετρώματα και μπετόν.

ΣΥΝΔΕΣΗ ΣΤΟ ΗΛΕΚΤΡΙΚΟ ΔΙΚΤΥΟ

Οι πρίζες στους εξωτερικούς χώρους πρέπει να είναι εξωπλισμένες με μικροαυτόματους διακόπτες προστασίας (FI, RCD, PRCD). Αυτό απαιτεί ο σχετικός κανονισμός από την ηλεκτρική σας εγκατάσταση. Προσέξτε παρακαλώ αυτό το σημείο κατά τη χρήση της συσκευής μας.

Συνδέετε μόνο σε μονοφασικό εναλλασσόμενο ρεύμα και μόνο σε τάση δικτύου όπως αναφέρεται στην πινακίδα τεχνικών χαρακτηριστικών. Η σύνδεση είναι επίσης εφικτή σε πρίζες χωρίς προστασία επαφής, διότι έχει προβλεφθεί εξοπλισμός κατηγορίας προστασίας II.

Συνδέετε τη μηχανή στην πρίζα μόνο αν ο διακόπτης είναι στη θέση απενεργοποίησης.

ΣΥΝΤΗΡΗΣΗ

Διατηρείτε πάντοτε τις σχισμές εξαερισμού της μηχανής καθαρές.

Όταν έχει υποστεί ζημιά το καλώδιο ηλεκτρικής σύνδεσης, πρέπει αυτό να αντικατασταθεί σε μια υπηρεσία τεχνικής υποστήριξης πελατών, διότι απαιτείται ειδικό εργαλείο.

Χρησιμοποιείτε μόνο αξεσουάρ Milwaukee και ανταλλακτικά Milwaukee. Εξαρτήματα, που η αλλαγή τους δεν περιγράφεται, αντικαθιστούνται σε μια τεχνική υποστήριξη της Milwaukee (βλέπε φυλλάδιο εγγύηση/ διευθύνσεις τεχνικής υποστήριξης).

Όταν χρειάζεται, μπορείτε να ζητήσετε ένα σχέδιο συναρμολόγησης της συσκευής, δίνοντας τον τύπο της μηχανής και αριθμό στην πινακίδα ισχύος, από το κέντρο σέρβις ή απευθείας από τη φίρμα Techtronic Industries GmbH, Max-Eyth-Strasse 10, 71364 Winnenden, Germany.

ΣΥΜΒΟΛΑ



Παρακαλώ διαβάστε σχολαστικά τις οδηγίες χρήσης πριν από την έναρξη λειτουργίας.



ΠΡΟΣΟΧΗ! ΠΡΟΕΙΔΟΠΟΙΗΣΗ! ΚΙΝΔΥΝΟΣ!



Πριν από κάθε εργασία στη μηχανή τραβάτε το φως από την πρίζα.



Στις εργασίες με τη μηχανή φοράτε πάντοτε προστατευτικά γυαλιά.



Φοράτε ωτασπίδες.



Να φοράτε κατάλληλη μάσκα προστασίας από σκόνη.



Να φοράτε προστατευτικά γάντια!



Εξαρτήματα - Δεν περιλαμβάνονται στα υλικά παράδοσης.



Απόβλητα ηλεκτρικού και ηλεκτρονικού εξοπλισμού δεν επιτρέπεται να απορρίπτονται μαζί με τα οικιακά απορρίμματα. Απόβλητα ηλεκτρικού και ηλεκτρονικού εξοπλισμού πρέπει να συλλέγονται και να απορρίπτονται ξεχωριστά. Πριν την απόρριψη να αφαιρείτε τους λαμπτήρες από τον εξοπλισμό. Ενημερωθείτε από τις τοπικές υπηρεσίες ή από ειδικευμένους εμπόρους σχετικά με κέντρα ανακύκλωσης και συλλογής απορριμμάτων. Ανάλογα με τους τοπικούς κανονισμούς μπορεί να είναι οι έμποροι λιανικής πώλησης υποχρεωμένοι, να παίρνουν πίσω απόβλητα ηλεκτρικού και ηλεκτρονικού εξοπλισμού δωρεάν. Συμβάλλετε κι εσείς μέσω επαναχρησιμοποίησης και ανακύκλωσης των αποβλήτων του ηλεκτρικού και ηλεκτρονικού εξοπλισμού σας στην μείωση της ζήτησης πρώτων υλών. Απόβλητα ηλεκτρικού και ηλεκτρονικού εξοπλισμού περιέχουν πολύτιμες, επαναχρησιμοποιήσιμες ύλες που μπορεί να βλάπτουν το περιβάλλον και την υγεία σας κατά τη μη περιβαλλοντικώς ορθή διάθεσή τους. Πριν την απόρριψη να διαγράφετε δεδομένα προσωπικού χαρακτήρα που πιθανόν να υπάρχουν στα απόβλητα του εξοπλισμού σας.



Ηλεκτρικό εργαλείο κατηγορίας ασφάλειας II. Ηλεκτρικό εργαλείο στο οποίο η προστασία από ηλεκτροπληξία δεν εξαρτάται μόνο από την βασική μόνωση αλλά και από συμπληρωματικά μέτρα ασφάλειας όπως διπλή ή ενισχυμένη μόνωση. Δεν υπάρχει εξοπλισμός για να συνδεθεί με την γείωση.



Αριθμός στροφών χωρίς φορτίο



Τάση



Εναλλασσόμενο ρεύμα



Ευρωπαϊκό σήμα πιστότητας



Βρετανικό σήμα πιστότητας



Ουκρανικό σήμα πιστότητας



Ευρασιατικό σήμα πιστότητας

ΔΗΛΩΣΗ ΠΙΣΤΟΤΗΤΑΣ ΕΚ

Δηλώνουμε με αποκλειστική μας ευθύνη, ότι το προϊόν που περιγράφεται στα «Τεχνικά Χαρακτηριστικά» συμμορφώνεται με όλες τις σχετικές διατάξεις των οδηγιών 2011/65/ΕΕ (RoHS) 2006/42/ΕΚ 2014/30/ΕΕ και έχουν εφαρμοστεί τα ακόλουθα εναρμονισμένα πρότυπα έχουν χρησιμοποιηθεί
EN 62841-1+A11:2022
EN 62841-2-6:2020 +A11:2020
EN IEC 55014-1:2021
EN IEC 55014-2:2021
EN IEC 61000-3-2:2019+A1:2021
EN 61000-3-3:2013+A1:2019+A2:2021
EN IEC 63000:2018

Οι μετρήσεις έγιναν σύμφωνα με τον κανονισμό 2000/14/ΕΚ και οι τιμές μετρήθηκαν στον χώρο του αυτιού του χρήστη. Μέθοδοι διαπίστωσης της συμμόρφωσης σύμφωνα με το παράρτημα VI.

EU Κοινοποιημένος οργανισμός :
DEKRA Testing and Certification GmbH,
Handwerkstraße 15, 70565 Stuttgart
Location Certification Body, Dinnendahlstr. 9, 44809 Bochum,
Germany
Κοινοποιημένος οργανισμός αριθμός: 0158

Μετρημένη στάθμη ηχητικής ισχύος: 97,6 dB (A)

Εγγυημένη στάθμη ηχητικής ισχύος: 100,0 dB (A)



Winnenden, 2023-01-20

Alexander Krug

Alexander Krug / Managing Director
Εξουσιοδοτημένος να συντάξει τον τεχνικό φάκελο.
Techtronic Industries GmbH
Max-Eyth-Strasse 10, 71364 Winnenden, Germany

ΤΕΧΝΙΚΑ ΧΑΡΑΚΤΗΡΙΣΤΙΚΑ	K 500 ST 220-240 V	K 500 ST 110-120 V
Κεσκι çekici		
Üretim numarası	4431 81 07... 4439 21 07... ... 000001-999999	4433 46 07... ... 000001-999999
Giriş gücü	1100 W	1100 W
Çıkış gücü	550 W	550 W
Yükteki darbe sayısı Maks.	3000 min ⁻¹	3000 min ⁻¹
EPTA-Procedure 05/2009'a göre tek darbe kuvveti	7,5 J	7,5 J
Germe boynu çapı	66 mm	66 mm
Ağırlığı ise EPTA-üretici 01/2014'e göre	5,9 kg	5,9 kg
Gürültü bilgileri Ölçüm değerleri EN 62841 e göre belirlenmektedir. Aletin, frekansa bağımlı uluslararası ses basıncı seviyesi değerlendirme eğrisi A'ya göre tipik gürültü seviyesi:		
Ses basıncı seviyesi (Tolerans K=3dB(A))	97,0 dB (A)	94,0 dB (A)
Akustik kapasite seviyesi (Tolerans K=3dB(A))	105,0 dB (A)	102,0 dB (A)
Koruyucu kulaklık kullanın!		
Vibrasyon bilgileri Toplam titreşim değeri (üç yönün vektör toplamı) EN 62841'e göre belirlenmektedir:		
Kesileme: titreşim emisyon değeri a _{h, Cheq} Tolerans K=	12,8 m/s ² 1,5 m/s ²	11,3 m/s ² 1,5 m/s ²

UYARI!

Bu bilgi formunda belirtilen titreşim ve gürültü düzeyi EN 62841 uyarınca standart bir test yöntemine göre ölçülmüş olup, bir aleti diğeriyle karşılaştırmak için kullanılabilir. Bir maruz kalma ön değerlendirmesi için de kullanılabilir.

Beyan edilmiş titreşim ve gürültü emisyon değeri aletin ana uygulamalarını temsil eder. Ancak, alet farklı uygulamalar için veya farklı aksesuarla kullanılır ya da aletin bakımı yetersiz yapılırsa, titreşim ve gürültü emisyonu farklılık gösterebilir. Bu, toplam çalışma süresi boyunca maruz kalma seviyesini önemli ölçüde artırabilir.

Titreşim ve gürültüye maruz kalma seviyesi tahmininde, aletin kapalı olduğu veya çalıştığı, ancak aslında işini yapmadığı süreler de göz önünde bulundurulmalıdır. Bu, toplam çalışma süresi boyunca maruz kalma seviyesini önemli ölçüde azaltabilir.

Operatörü titreşim ve/veya gürültünün etkilerinden korumak için, aletin ve aksesuarların bakımını yapmak, elleri sıcak tutmak ve çalışma biçimlerini düzenlemek gibi ilave güvenlik önlemleri belirleyin.



UYARI Cihazla birlikte gelen tüm güvenlik uyarılarını, talimatları, çizimleri ve bilgileri okuyun. Açıklanan uyarılara ve talimat hükümlerine uyulmadığı takdirde elektrik çarpmalarına, yangınlara ve/veya ağır yaralanmalara neden olunabilir.
Bütün uyarıları ve talimat hükümlerini ileride kullanmak üzere saklayın.



KIRICI İÇİN GÜVENLİK TALİMATLARI

Tüm işlemler için güvenlik talimatları

Koruyucu kulaklık kullanın. Gürültü etkisi işitme kaybını etkiler.

Aletle birlikte teslim edilen ek tutamakları kullanın. Aletin kontrolden çıkması kazalara neden olabilir.

Çalışırken alet ucunun görünmeyen elektrik akımı ileten kablolarına veya aletin kendi şebeke kablosuna temas etme olasılığı varsa elektrikli el aletini sadece izolasyonlu tutamağından tutun. Kesme aletinin içinden elektrik akımı geçen kablo ile temas etmesi durumunda elektrik akımı cihazın metal kısımlarına geçer ve elektrik çarpmasına sebebiyet verebilir.

Uzun matkap uçlu delici-kırıcı matkabın kullanılmasıyla ilgili güvenlik uyarıları

Her zaman matkap ucu iş parçasına temas edecek şekilde düşük hızda delmeye başlayın. Daha yüksek hızlarda, matkap uçlarının iş parçasına temas etmeden serbestçe dönmesine izin verildiğinde bükülme eğilimi vardır ve bu da kişisel yaralanmaya sebep olur.

Yalnızca uçla aynı hatta basınç uygulayın ve aşırı basınç uygulamayın. Uçlar kırılmaya veya kontrol kaybına yol açacak şekilde bükülebilir ve bu da kişisel yaralanmaya sonuçlanabilir.

Ek güvenlik ve çalışma talimatları

Daima kişisel koruyucu donanım ve bir koruyucu gözlük kullanın. Elektrikli el aletinin türü ve kullanımına uygun olarak; toz maskesi, kaymayan iş ayakkabıları, koruyucu kask veya koruyucu kulaklık gibi koruyucu donanım kullanımı yaralanma tehlikesini azaltır.

Tahtalar uzun süre işlenirken veya sağlığa zararlı toz çıkaran malzemeler profesyonel olarak işlenirken alet uygun bir toz emme donanımına bağlanmak zorundadır. Profesyonel kullanıcılar diğer malzemelere ilişkin hükümleri yetkili meslek kuruluşu ile açıklığa kavuşturmak zorundadır.

Sağlık tehlikelerine neden olan malzemelerin işlenmesi yasaktır (örn. asbest).

Duvar, tavan ve zeminde delik açarken elektrik kablolarına, gaz ve su borularına dikkat edin.

İşlenen parçayı bir germe tertibatıyla emniyete alın. Emniyete alınmayan iş parçaları ağır yaralanmalar ve hasarlara neden olabilir.

Bağlantı kablосunu aletten uzak tutun. Kablo daima aletin arkasında olmalıdır ve toplanmamalıdır.

Uca yerleştirilen takımın bloke olması halinde lütfen cihazı hemen kapatın! Uca yerleştirilen takım bloke olduğu sürece cihazı tekrar çalıştırmayın; bu sırada yüksek reaksiyon momentine sahip bir geri tepme meydana gelebilir. Uca yerleştirilen takımın neden bloke olduğuna bakın ve bu durumu güvenli uyarılara dikkat ederek gidin.

Olası nedenler şunlar olabilir:

- İşlenen parça içinde takılma
- İşlenen malzemenin kırılması
- Elektrikli alete aşırı yük binmesi

Ellerinizi çalışmakta olan makinenin içine uzatmayın.

Uç keskin kenarlıdır ve kullanımı sırasında ısınabilir.

İKAZ! Kasma ve yanma tehlikesi

- uçların kullanımı sırasında

- aletin yere bırakılması sırasında

Uçları kullanırken eldiven giyiniz.

Alet çalışır durumda iken talaş ve kırpıntıları temizlemeye çalışmayın.

Aletin kendinde bir çalışma yapmadan önce fişi prizden çekin.

ÇALIŞMA

Soğuk Çalıştırma

Bu alet uzun süre boyunca veya soğuk ısılarda saklanırsa yağ katılaşacağından başlangıçta çalışmayabilir.

Aleti ısıtmak için

1. Aletin içine matkap ucu veya keski takın ve kilitleyin.

2. Tetiği çekin ve matkap ucuna veya keskiye birkaç saniyelik bir beton ya da ahşap bir yüzeye kuvvet uygulayın. Tetiği serbest bırakın.

3. Alet çalışmaya başlayana kadar tekrarlayın. Alet ne kadar soğuk olursa ısınması o kadar uzun sürecektir.

KULLANIM

Bu kırıcı, şantiyedeki zor kesileme ve kırma işlerinde kullanılabilir.

ŞEBEKE BAĞLANTISI

Açık havadaki prizler hatalı akım koruma şalteri (FI, RCD, PRCD) ile donatılmış olmalıdır. Bu, elektrik tesisatındaki bir zorunluluktur. Lütfen aletimizi kullanırken bu hususa dikkat edin.

Aleti sadece tek fazlı alternatif akıma ve tip etiketi üzerinde belirtilen şebeke gerilimine bağlayın. Yapısı Koruma sınıfı II'ye girdiğinden alet koruyucu kontaklı prize de bağlanabilir.

Aleti sadece kapalı iken prize takın.

BAKIM

Aletin havalandırma aralıklarını daima temiz tutun.

Şebeke hatları hasarlı ise müşteri hizmetleri servisi tarafından değiştirilmesi gerekir, zira bunun için özel bir aparat gereklidir.

Sadece Milwaukee aksesuarı ve yedek parçası kullanın. Nasıl değiştirileceği açıklanmamış olan yapı parçalarını bir Milwaukee müşteri servisinde değiştirin (Garanti ve servis adresi broşürüne dikkat edin).

Gerektiği takdirde aletin dağınık görünüş şeması, alet tipinin ve tip etiketi üzerindeki sayının bildirilmesi koşuluyla müşteri servisten veya doğrudan Techtronic Industries GmbH, Max-Eyth-Straße 10, 71364 Winnenden, Germany adresinden istenebilir.

SEMBOLLER



Lütfen aleti çalıştırmadan önce kullanma kılavuzunu dikkatli biçimde okuyun.



DİKKAT! UYARI! TEHLİKE!



Aletin kendinde bir çalışma yapmadan önce fişi prizden çekin.



Aletle çalışırken daima koruyucu gözlük kullanın.



Koruyucu kulaklık kullanın.



Uygun bir koruyucu toz maskesi kullanın



Koruyucu eldivenlerinizi takınız!



Aksesuar - Teslimat kapsamında değildir.



Atık elektrikli ve elektronik eşyaların evsel atıklarla birlikte bertaraf edilmesi yasaktır. Atık elektrikli ve elektronik eşyalar ayrılarak biriktirilmeli ve bertaraf edilmelidir. Bertaraf etmeden önce cihazların içindeki lambaları çıkartınız. Yerel makamlara veya satıcınıza geri dönüşüm tesisleri ve atık toplama merkezlerinin yerlerini danışınız. Yerel yönetmeliklere göre perakende satıcılar atık elektrikli ve elektronik eşyaları ücret talep etmeden geri almak zorunda olabilirler. Atık elektrikli ve elektronik eşyalarınızı tekrar kullanarak ve geri dönüşüme vererek ham madde gereksiniminin az tutulmasına katkıda bulununuz. Atık elektrikli ve elektronik eşyalar, çevreye uygun şekilde bertaraf edilmediklerinde çevre ve sağlığınız üzerinde olumsuz etkilere neden olabilmekte, tekrar kullanılabilir malzemeler içerirler. Bertaraf etmeden önce atık eşyanız içinde mevcut olabilen şahsınızla ilgili bilgileri siliniz.



Koruma sınıfı II olan elektrikli aletler. Elektrik çarpmasına karşı korumanın sadece temel izolasyona bağlı olmayıp, aynı zamanda çift izolasyon veya takviyeli izolasyon gibi ek koruyucu önlemlerin alınmasına bağlı olan elektrikli alet. Bir koruyucu iletken bağlamak için düzeneği bulunmamaktadır.

n₀

Boştaki devir sayısı

V Voltaj



Dalgali akım



Avrupa uyumluluk işareti



Britanya uyumluluk işareti



Ukrayna uyumluluk işareti



Avrasya uyumluluk işareti

CE UYGUNLUK BEYANI

"Teknik veriler" başlığı altında tanımlanan ürünün, sayılı direktiflerdeki tüm hükümleri

2011/65/EU (RoHS)

2006/42/EC

2014/30/EU

uyumlaştırılmış standartları 0

EN 62841-1+A11:2022

EN 62841-2-6:2020 +A11:2020

EN IEC 55014-1:2021

EN IEC 55014-2:2021

EN IEC 61000-3-2:2019+A1:2021

EN 61000-3-3:2013+A1:2019+A2:2021

EN IEC 63000:2018

Ölçüm değeri 2000/14/EC standardına göre kullanıcının kulağında ölçülmüştür. Uygunluk değerlendirme usulü Ek VI'ya göre.

EU Onaylanmış kuruluş:

DEKRA Testing and Certification GmbH,

HandwerkstraBe 15, 70565 Stuttgart

Location Certification Body, Dinnendahlstr. 9, 44809 Bochum,

Germany

Onaylanmış kuruluş sayı: 0158

Ölçülen gürültü emisyonu seviyesi: 97,6 dB (A)

Garanti edilen gürültü emisyonu seviyesi: 100,0 dB (A)



Winnenden, 2023-01-20

Alexander Krug / Managing Director

Teknik evrakları hazırlamakla görevlendirilmiştir.

Techtronic Industries GmbH

Max-Eyth-Straße 10, 71364 Winnenden, Germany

TECHNICKÁ DATA Sekací kladiva	K 500 ST 220-240 V	K 500 ST 110-120 V
Výrobní číslo	4431 81 07... 4439 21 07... ... 000001-999999	4433 46 07... ... 000001-999999
Jmenovitý příkon	1100 W	1100 W
Odběr	550 W	550 W
Počet úderů max.	3000 min ⁻¹	3000 min ⁻¹
Intenzita jednotlivých úderů podle EPTA-Procedure 05/2009	7,5 J	7,5 J
Ø upínacího krčku	66 mm	66 mm
Hmotnost podle prováděcího předpisu EPTA 01/2014	5,9 kg	5,9 kg
Informace o hluku Naměřené hodnoty odpovídají EN 62841. V třídě A posuzovaná hladina hluku přístroje činí typicky: Hladina akustického tlaku (Kolísavost K=3dB(A)) Hladina akustického výkonu (Kolísavost K=3dB(A))		
Používejte chrániče sluchu !	97,0 dB (A) 105,0 dB (A)	94,0 dB (A) 102,0 dB (A)
Informace o vibracích Celkové hodnoty vibrací (vektorový součet tří směrů) zjištěné v souladu s EN 62841.		
Sekání: Hodnota vibračních emisí a _{h, Cheq} Kolísavost K=	12,8 m/s ² 1,5 m/s ²	11,3 m/s ² 1,5 m/s ²

VAROVÁNÍ!

Hladina vibrací a emisí hluku uvedená v tomto informačním listu byla měřena v souladu se standardizovanou zkouškou uvedenou v normě EN 62841 a může být použita ke srovnání jednoho nástroje s jiným. Může být použita k předběžnému posouzení expozice.

Deklarovaná úroveň vibrací a emisí hluku představuje hlavní použití nástroje. Pokud se však nástroj používá pro různé aplikace, s různými příslušenstvími nebo s nedostatečnou údržbou, mohou se vibrace a emise hluku lišit. To může výrazně zvýšit úroveň expozice v průběhu celé pracovní doby.

Odhad úrovně expozice vibracím a hluku by měl také vzít v úvahu dobu, kdy je nástroj vypnutý nebo když běží, ale ve skutečnosti neprovádí úlohu. To může výrazně snížit úroveň expozice v průběhu celé pracovní doby.

Identifikujte dodatečná bezpečnostní opatření k ochraně pracovníka obsluhy před účinky vibrací a/nebo hluku, například: údržba nástroje a příslušenství, udržování rukou v teple, organizace pracovních schémat.

VAROVÁNÍ! Přečtěte si všechny bezpečnostní pokyny, instrukce, popisy a údaje, které obdržíte s přístrojem. Zanedbání při dodržování varovných upozornění a pokynů mohou mít za následek úder elektrickým proudem, požár a nebo těžká poranění.
Všechna varovná upozornění a pokyny do budoucna uschovejte.

BEZPEČNOSTNÍ POKYNY PRO BOURACÍHO KLADIVA
Bezpečnostní pokyny pro všechny operace

Používejte chrániče sluchu. Nadměrný hluk může vést ke ztrátě sluchu.

Používejte doplňková madla dodávaná s přístrojem. Nedostatečným držetím by mohlo dojít ke zranění.

Pokud provádíte práce, při kterých může nasazovací nástroj zasáhnout skrytá elektrická vedení nebo vlastní síťový kabel, pak uchopte elektronářadí pouze na izolovaných plochách držadla. Kontakt řezného nástroje s vedením pod napětím může vést k přenosu napětí na kovové části přístroje a k úrazu elektrickým proudem.

Bezpečnostní pokyny na používání vrtacího kladiva s dlouhými vrtáky

Vždy začněte vrtat při nízké rychlosti a s hrotem vrtáku v kontaktu s obrobkem. Při vyšších rychlostech se tento vrták pravděpodobně ohne, když se nechá volně otáčet, aniž by se dotýkal obrobku, čehož důsledkem je zranění osob.

Použijte tlak pouze v přímé linii s vrtákem a nevystavujte nadměrnému tlaku. Vrtáky se mohou ohnout, což způsobí zlomení nebo ztrátu kontroly, tím může dojít ke zranění osob.

Další bezpečnostní a pracovní pokyny

Noste osobní ochranné pomůcky a vždy ochranné brýle. Nošení osobních ochranných pomůcek jako maska proti prachu, bezpečnostní obuv s protiskluzovou podrážkou, ochranná přilba nebo sluchátka, podle druhu nasazení elektronářadí, snižují riziko poranění.

Prach vznikající při práci bývá zdraví škodlivý, a proto by se neměly vdechovat. Používejte odsávání prachu a navíc se chraňte vhodnou ochrannou maskou. Usazený prach dobře odstraňte, např. odsátím. Nesmějí se opracovávat materiály, které mohou způsobit ohrožení zdraví (např. azbest)

Při vrtání do zdi, stropu nebo podlahy dávat pozor na elektrické kabely, plynová a vodovodní potrubí.

Obrobek zabezpečte upínacím zařízením. Nezabezpečené obrobky mohou způsobit těžká poranění a poškození.

Neustále dbát na to, aby byl kabel pro připojení k elektrické síti mimo dosah stroje. Kabel vést vždy směrem dozadu od stroje.

Při zablokování nasazeného nástroje přístroj okamžitě vypněte! Přístroj nezapínajte, pokud je nasazený nástroj zablokovaný; mohl by při tom vzniknout zpětný náraz s vysokým reakčním momentem. Zjistěte příčinu zablokování nasazeného nástroje a odstraňte ji při dodržení bezpečnostních pokynů.

Eventuální příčinou může být:

- vzpříčení v opracovávaném obrobku
- Opracovávaný materiál se zlomí.
- přetížení elektrického přístroje

Nezasahujte do běžícího stroje.

Nasazený nástroj má ostré hrany a během používání se může zahřát.

VAROVÁNÍ! Nebezpečí požezání a popalení

- při manipulaci s nasazovanými nástroji
- při odkládání přístroje

Při manipulaci s nasazovanými nástroji používejte ochranné rukavice.

Pokud stroj běží, nesmí být odstraňovány trisky nebo odštěpky. Před zahájením veškerých prací na stroji vytáhnout síťovou zástrčku ze zásuvky.

PROVOZ

Spuštění za studena

Pokud je nástroj skladován delší dobu, aniž by se používal, nebo je skladován při nízkých teplotách, nemusí po spuštění tlouci z důvodu ztuhlého maziva.

Pro zahřátí nástroje

- Vložte vrták nebo sekáč do nástroje a upevněte ho v něm.
- Stiskněte spouštěcí spínač a na několik sekund tlačte vrtákem nebo sekáčem silou na betonový nebo dřevěný povrch. Uvolněte spouštěcí spínač.
- Toto opakujte, dokud nástroj nezačne tlouci. Čím je nástroj chladnější, tím déle bude jeho zahřátí trvat.

OBLAST VYUŽITÍ

Kladivo je použitelné k sekání do kamene a betonu.

PŘIPOJENÍ NA SÍŤ

Ve venkovním prostředí musí být zásuvky vybaveny proudovým chráničem (FI, RCD, PRCD). Je to vyžadováno instalačním předpisem pro toto el.zařízení. Dodržujte ho při používání tohoto nářadí, prosím.

Připojit pouze do jednofázové střídavé sítě o napětí uvedeném na štítku. Lze připojit i do zásuvky bez ochranného kontaktu neboť spotřebič je třídy II.

Stroj zapínat do zásuvky pouze když je vypnutý.

ÚDRŽBA

Větrací štěrby nářadí udržujeme stále čisté.

Dojde-li k poškození přírodního kabelu, nechte jej vyměnit v autorizovaném servisu, protože k výměně je zapotřebí speciální nástroj.

Používat výhradně příslušenství Milwaukee a náhradní díly Milwaukee. Díly jejichž výměny nebyla popsána, nechte vyměnit v autorizovaném servisu (viz. Záruky / Seznam servisních míst)

Při potřebě podrobného rozkresu konstrukce, oslovte informaci o typu a čísle přímo servis a nebo výrobce, Techtronic Industries GmbH, Max-Eyth-Straße 10, 71364 Winnenden, Germany.

SYMBOLY



Před spuštěním stroje si pečlivě přečtěte návod k používání.



POZOR! VAROVÁNÍ! NEBEZPEČÍ!



Před zahájením veškerých prací na stroji vytáhnout síťovou zástrčku ze zásuvky.



Při práci se strojem neustále nosit ochranné brýle.



Používejte chrániče sluchu.



Používejte při práci vhodnou ochrannou masku.



Používejte ochranné rukavice!



Příslušenství není součástí dodávky.



Odpadní elektrická a elektronická zařízení se nesmějí likvidovat společně s domovním odpadem. Odpadní elektrická a elektronická zařízení je nutné sbírat a likvidovat odděleně. Před likvidací odstraňte ze zařízení osvětlovací prostředky. Informujte se na místních úřadech nebo u vašeho odborného prodejce ohledně recyklačních dvorů a sběrných míst. Podle místních ustanovení mohou maloobchodní prodejci být povinni bezplatně odebrat zpět odpadní elektrická a elektronická zařízení. Opětovným použitím a recyklací vašeho odpadu z odpadních elektrických a elektronických zařízení přispíváte ke snížení potřeby surovin. Odpadní elektrická a elektronická zařízení obsahují cenné, opětovně použitelné materiály, které při ekologické likvidaci nemohou mít negativní účinky na životní prostředí a vaše zdraví. Před likvidací pokud možno vymažte na vašem odpadním přístroji existující osobní údaje.



Elektrický přístroj s třídou ochrany II. Elektrický přístroj, u kterého ochrana před zásahem el. proudem závisí nejen na základní izolaci, ale i na tom, že budou použita také doplňková ochranná opatření, jakými jsou dvojitá izolace nebo zesílená izolace. Neexistuje žádné zařízení pro připojení ochranného vodiče.



Volnoběžné otáčky napětí



Střídavý proud



Značka shody v Evropě



Značka shody v Británii



Značka shody na Ukrajině



Značka shody pro oblast Eurasie

CE UYGUNLUK BEYANI

"Teknik veriler" başlığı altında tanımlanan ürünün, sayılı direktiflerdeki tüm hükümleri

2011/65/EU (RoHS)

2006/42/EC

2014/30/EU

uyumlaştırılmış standartları kullanılmış

EN 62841-1+A11:2022

EN 62841-2-6:2020 +A11:2020

EN IEC 55014-1:2021

EN IEC 55014-2:2021

EN IEC 61000-3-2:2019+A1:2021

EN 61000-3-3:2013+A1:2019+A2:2021

EN IEC 63000:2018

Ölçüm değeri 2000/14/EC standardına göre kullanıcının kulağında ölçülmüştür. Uygunluk değerlendirme usulü Ek VI'ya göre.

EU Onaylanmış kuruluş:

DEKRA Testing and Certification GmbH,

Handwerkstraße 15, 70565 Stuttgart

Location Certification Body, Dinnendahlstr. 9, 44809 Bochum, Germany

Onaylanmış kuruluş sayı: 0158

Ölçülen gürültü emisyonu seviyesi: 97,6 dB (A)

Garanti edilen gürültü emisyonu seviyesi: 100,0 dB (A)



Winnenden, 2023-01-20

Alexander Krug / Managing Director

Teknik evrakları hazırlamakla görevlendirilmiştir.

Techtronic Industries GmbH

Max-Eyth-Straße 10, 71364 Winnenden, Germany

Česky

TECHNICKÉ ÚDAJE Sekacie kladivo	K 500 ST 220-240 V	K 500 ST 110-120 V
Výrobné číslo	4431 81 07... 4439 21 07... ... 000001-999999	4433 46 07... ... 000001-999999
Menovitý príkon	1100 W	1100 W
Výkon	550 W	550 W
Počet úderov pri záťaži max.	3000 min ⁻¹	3000 min ⁻¹
Intenzita jednotlivých príklepov podľa EPTA Procedure 05/2009	7,5 J	7,5 J
Priemer upínacieho hrdla	66 mm	66 mm
Hmotnosť podľa vykonávacieho predpisu EPTA 01/2014	5,9 kg	5,9 kg
Informácia o hluku Namerané hodnoty určené v súlade s EN 62841. V triede A posudzovaná hladina hluku prístroja číni typicky: Hladina akustického tlaku (Kolísavosť K=3dB(A)) Hladina akustického výkonu (Kolísavosť K=3dB(A))	97,0 dB (A) 105,0 dB (A)	94,0 dB (A) 102,0 dB (A)
Používajte ochranu sluchu!		
Informácie o vibráciách Celkové hodnoty vibrácií (vektorový súčet troch smerov) zistených zmysle EN 62841. Osekávanie: Hodnota vibračných emisií a _{h, Cheq} Kolísavosť K=	12,8 m/s ² 1,5 m/s ²	11,3 m/s ² 1,5 m/s ²

POZOR!

Úroveň vibrácií a emisií hluku uvedená v tomto informačnom liste bola meraná v súlade so štandardizovanou skúškou uvedenou v EN 62841 a môže sa použiť na porovnanie jedného nástroja s druhým. Môže sa použiť v predbežnom posúdení expozície.

Deklarovaná úroveň vibrácií a emisií hluku predstavuje hlavné aplikácie nástroja. Ak sa však nástroj používa pre rôzne aplikácie, s rôznym príslušenstvom alebo s nedostatočnou údržbou, môžu sa vibrácie a emisie hluku líšiť. To môže výrazne zvýšiť úroveň expozície počas celej pracovnej doby.

Odhad úroveň expozície vibráciám a hluku by mal tiež brať do úvahy čas, keď je nástroj vypnutý alebo keď beží, ale v skutočnosti nevykonáva prácu. To môže výrazne znížiť úroveň expozície počas celej pracovnej doby.

Identifikujte dodatočné bezpečnostné opatrenia na ochranu pracovníka obsluhy pred účinkami vibrácií a/alebo hluku, ako je: údržba nástroja a príslušenstva, udržanie teplých rúk, organizácia pracovných schém.



POZOR Prečítajte si všetky bezpečnostné upozornenia, pokyny, vyobrazenia a údaje, ktoré dostanete spolu s prístrojom. Zanedbanie dodržiavania Výstražných upozornení a pokynov uvedených v nasledujúcom texte môže mať za následok zásah elektrickým prúdom, spôsobí požiar a/alebo ťažké poranenie.
Tieto Výstražné upozornenia a bezpečnostné pokyny starostlivo uschovajte na budúce použitie.



BEZPEČNOSTNÉ POKYNY PRE KLADIVA

Bezpečnostné pokyny pre všetky operácie

Používajte ochranu sluchu. Nadmerný hluk môže viesť k strate sluchu.

Používajte prídavné rukoväte dodané spolu s prístrojom. Strata kontroly nad strojom môže viesť k zraneniu.

Elektrické náradie držte za izolované plochy rukovätí pri vykonávaní takej práce, pri ktorej by mohol rezací nástroj natrať na skryté elektrické vedenia alebo zasiahnuť vlastnú prívodnú šnúru náradia. Kontakt rezného nástroja s vedením pod napätím môže viesť k prenosu napätia na kovové časti prístroja a k úrazu elektrickým prúdom.

Bezpečnostné pokyny na používanie vrtacieho kladiva s dlhými vrtákmi

Vždy začnite vrtáť pri nízkej rýchlosti a s hrotom vrtáka v kontakte s obrobkom. Pri vyšších rýchlostiach sa tento vrták pravdepodobne ohne, ak sa nechá voľne otáčať bez toho, aby sa dotýkal obrobku, čoho dôsledkom je zranenie osôb.

Použite tlak len v priamej línii s vrtákom a nevystavujte nadmernú tlaku. Vrtáky sa môžu ohnúť, čo spôsobí zlomenie alebo stratu kontroly, tým môže dôjsť ku zraneniu osôb.

Ďalšie bezpečnostné a pracovné pokyny

Noste osobné ochranné pomôcky a používajte vždy ochranné okuliare. Nosenie osobných ochranných pomôcok, ako je ochranná dýchacia maska, bezpečnostná pracovná obuv, ochranná prilba alebo chrániče sluchu, podľa druhu ručného elektrického náradia a spôsobu jeho použitia znižujú riziko poranenia.

Prach, ktorý vzniká pri práci je často zdraviu škodlivý a nemal by sa dostať do tela. používajte odsávac prachu a noste vhodnú masku proti prachu. Uskladnený prach dôkladne odstráňte, napr. vysať. Nesmú sa upravovať materiály, ktoré môžu spôsobiť ohrozenie zdravia (napr. azbest)

Pri práci v stene, strope alebo v podlahe dávajte pozor na elektrické káble, plynové a vodovodné potrubia.

Obrobok zabezpečte upínacím zariadením. Nezabezpečené obrobky môžu spôsobiť ťažké poranenia a poškodenia.

Slovensky



Slov

Pripojovací kábel držte mimo pracovnej oblasti stroja. Kábel smerujte vždy smerom dozadu od stroja.

Pri zablokovaní nasadeného nástroja prístroj okamžite vypnite! Prístroj nezapínajte, pokiaľ je nasadený nástroj zablokovaný; mohol by pri tom vzniknúť spätný náraz s vysokým reakčným momentom. Príčinu zablokovania nasadeného nástroja zistíte a odstránite so zohľadnením bezpečnostných pokynov.

Eventuálnou príčinou môže byť:

- spriečenie v opravovanom obrobku
- zlomenie sa opravovaného materiálu
- preťaženie elektrického prístroja

Nezasahujte do bežiaceho stroja.

Nasadený nástroj má ostré hrany a počas používania sa môže zahriať.

VÝSTRAHA! Nebezpečenstvo porezania a popálenia

- pri manipulácii s nasadzovanými nástrojmi

- pri odkladaní prístroja

Pri manipulácii s nasadzovanými nástrojmi používajte ochranné rukavice.

Triesky alebo úlomky sa nesmú odstraňovať za chodu stroja.

Pred každou prácou na stroji vytiahnite zástrčku zo zásuvky.

PREVÁDZKA

Štartovanie za studena

Ak je nástroj skladovaný dlhší čas alebo pri nízkych teplotách, nemusí na začiatku udierať, pretože mazivo je tuhé.

Pre zahriatie nástroja

1. Vložte a zaistíte vrták alebo sekáč do nástroja.
2. Potiahnite spúšťač a na niekoľko sekúnd pôsobte silou na vrták alebo sekáč oproti betónovému alebo drevenému povrchu. Uvoľnite spúšťač.
3. Opakujte, kým nástroj nezačne udierať. Čím je nástroj chladnejší, tým dlhšie bude zohriatie trvať.

POUŽITIE PODĽA PREDPISOV

Kladivo je určené na osekávanie kamena a betónu

SIEŤOVÁ PRÍPOJKA

Zásuvky vo vonkajšom prostredí musia byť vybavené ochranným spínačom proti prudovým nárazom (FI, RCD, PRCD). Toto je inštačný predpis na Vaše elektrické zariadenie. Venujte prosím tomuto pozornosť pri používaní nášho prístroja.

Pripájať len na jednofázový striedavý prúd a na sieťové napätie uvedené na štítku. Pripojenie je možné aj do zásuviek bez ochranného kontaktu, pretože ide o konštrukciu ochrannej triedy II.

Len vypnutý stroj pripájajte do zásuvky.

ÚDRZBA

Vetracie otvory udržiavať stále v čistote.

Aj dôjde k poškodeniu prívodného kábla, nechajte ho vymeniť v autorizovanom servise, pretože k výmene je potrebný špeciálny nástroj.

Používať len Milwaukee príslušenstvo a Milwaukee náhradné diely. Súčiastky bez návodu na výmenu treba dať vymeniť v jednom z Milwaukee zákazníckych centier (viď brožúru Záruka/ Adresy zákazníckych centier).

Pri udaní typu stroja a čísla nachádzajúceho sa na štítku dá sa v prípade potreby vyžiadať explozívna schéma prístroja od vášho zákazníckeho centra alebo priamo v Techtronic Industries GmbH, Max-Eyth-Straße 10, 71364 Winnenden, Germany.

SYMBOLY



Pred prvým použitím prístroja si pozorne prečítajte návod na obsluhu.



POZOR! NEBEZPEČENSTVO!



Pred každou prácou na stroji vytiahnite zástrčku zo zásuvky.



Pri práci so strojom vždy noste ochranné okuliare.



Používajte ochranu sluchu.



Pri práci nosiť vhodnú ochrannú masku, aby sa nedostal do ľudského organizmu.



Používajte ochranné rukavice!



Príslušenstvo - nie je súčasťou štandardnej výbavy.



Odpad z elektrických a elektronických zariadení sa nesmie likvidovať spolu s domovým odpadom. Odpad z elektrických a elektronických zariadení treba zbierať a likvidovať oddelene. Pred likvidáciou odstráňte zo zariadení osvetľovacie prostriedky. Informujte sa pri miestnych úradoch alebo u vášho odborného predajcu ohľadom recyklačných dvorov a zberných miest. Podľa miestnych ustanovení môžu maloobchodní predajcovia byť povinní bezplatne zobrať späť odpad z elektrických a elektronických zariadení. Opätovným použitím a recykláciou vášho odpadu z elektrických a elektronických zariadení prispievate k zníženiu potreby surovín. Odpad z elektrických a elektronických zariadení obsahuje cenné, opätovne použiteľné materiály, ktoré pri ekologickej likvidácii nemôžu mať negatívne účinky na životné prostredie a vaše zdravie. Pred likvidáciou podľa možnosti vymažte na vašom použití prístroji existujúce osobné údaje.



Elektrický prístroj triedy ochrany II. Elektrický prístroj, pri ktorom ochrana pred zásahom el. prúdom závisí nie len od základnej izolácie, ale aj od toho, že budú použité aj doplnkové ochranné opatrenia, akými sú dvojité izolácie alebo zosilnená izolácia. Neexistuje žiadne zariadenie na pripojenie ochranného vodiča.



Otáčky naprázdno



Napätie



Striedavý prúd



Značka zhody v Európe



Značka zhody v Británii



Značka zhody na Ukrajine



Značka zhody pre oblasť Eurázie

CE - VYHLÁSENIE KONFORMITY

Na našu výhradnú zodpovednosť vyhlasujeme, že produkt popísaný v časti „Technické údaje“ spĺňa všetky príslušné ustanovenia smerníc

2011/65/EÚ (RoHS)

2006/42/ES

2014/30/EÚ

a boli použité nasledovné harmonizované normy boli použité

EN 62841-1+A11:2022

EN 62841-2-6:2020 +A11:2020

EN IEC 55014-1:2021

EN IEC 55014-2:2021

EN IEC 61000-3-2:2019+A1:2021

EN 61000-3-3:2013+A1:2019+A2:2021

EN IEC 63000:2018

Namerané hodnoty zistené v súlade s 2000/14/ES pri uchu používateľa. Metóda vyhodnocovania zhody podľa Annex VI.

EU Menované miesto:

DEKRA Testing and Certification GmbH,

Handwerkstraße 15, 70565 Stuttgart

Location Certification Body, Dinnendahlstr. 9, 44809 Bochum,

Germany

Menované miesto číslo: 0158

Nameraná hladina akustického výkonu: 97,6 dB (A)

Garantovaná hladina akustického výkonu: 100,0 dB (A)



Winnenden, 2023-01-20

Alexander Krug / Managing Director
Splnomocnený zostaviť technické podklady.

Techtronic Industries GmbH
Max-Eyth-Straße 10, 71364 Winnenden, Germany

DANE TECHNICZNE Młot kujący	K 500 ST 220-240 V	K 500 ST 110-120 V
Numer produkcyjny	4431 81 07... 4439 21 07... ... 000001-999999	4433 46 07... ... 000001-999999
Znamionowa moc wyjściowa	1100 W	1100 W
Moc wyjściowa	550 W	550 W
Częstotliwość udaru przy obciążeniu maks.	3000 min ⁻¹	3000 min ⁻¹
Energia udaru zgodna z EPTA Procedure 05/2009	7,5 J	7,5 J
Średnica szyjki uchwytu	66 mm	66 mm
Ciężar wg procedury EPTA 01/2014	5,9 kg	5,9 kg
Informacja dotycząca szumów Zmierzone wartości wyznaczono zgodnie z normą EN 62841. Poziom szumów urządzenia oszacowano jako A wynosi typowo:		
Poziom ciśnienia akustycznego (Niepewność K=3dB(A))	97,0 dB (A)	94,0 dB (A)
Poziom mocy akustycznej (Niepewność K=3dB(A))	105,0 dB (A)	102,0 dB (A)
Należy używać ochraniaczy uszu!		
Informacje dotyczące wibracji Wartości łączne drgań (suma wektorowa trzech kierunków) wyznaczone zgodnie z normą EN 62841		
Dłutowanie: Wartość emisji drgań a _{h,cheq} Niepewność K=	12,8 m/s ² 1,5 m/s ²	11,3 m/s ² 1,5 m/s ²

OSTRZEŻENIE!

Poziom drgań i emisji hałasu podany w niniejszej instrukcji zmierzono zgodnie ze standardową metodą badania wg EN 62841 i można ją wykorzystać do porównania narzędzia z innym narzędziem. Można go wykorzystywać przy wstępnej ocenie narażenia.

Deklarowany poziom emisji drgań i hałasu reprezentuje główne zastosowania narzędzia. Jeśli jednak narzędzie jest używane do różnych zastosowań, z różnymi akcesoriami lub w przypadku nieprawidłowej konserwacji, emisja drgań i hałasu może się różnić. Może to znacznie zwiększyć poziom narażenia w całym okresie eksploatacji narzędzia.

Oszacowanie poziomu narażenia na wibracje i hałas powinno również uwzględniać czasy, kiedy narzędzie jest wyłączone lub kiedy jest włączone, ale nie pracuje. Może to znacznie obniżyć poziom ekspozycji w całym okresie eksploatacji narzędzia.

Należy zidentyfikować dodatkowe środki bezpieczeństwa w celu ochrony operatora przed skutkami wibracji i/lub hałasu, takie jak: utrzymywanie narzędzia i akcesoriów w nienagannym stanie, utrzymywanie ciepła rąk, organizacja pracy.

OSTRZEŻENIE Przeczytać wszystkie wskazówki bezpieczeństwa, instrukcje, ilustracje i dane dołączone do urządzenia. Błędy w przestrzeganiu poniższych wskazówek mogą spowodować porażenie prądem, pożar i/lub ciężkie obrażenia ciała. **Należy starannie przechowywać wszystkie przepisy i wskazówki bezpieczeństwa dla dalszego zastosowania.**

INSTRUKCJE BEZPIECZEŃSTWA DLA MŁOTOWIERTARKI

Instrukcje bezpieczeństwa dla wszystkich czynności

Stosować środki ochrony słuchu! Hałas może powodować utratę słuchu.

Stosować uchwyty pomocnicze dostarczone z narzędziem. Utrata kontroli może spowodować obrażenia.

Podczas prac, przy których elektronarzędzie mogłoby natrafić na ukryte przewody elektryczne lub na własny przewód, należy je trzymać tylko za izolowaną rękkość. Styczność narzędzia skrawającego z będącym pod napięciem przewodem może spowodować podłączenie części metalowych urządzenia do napięcia i prowadzić do porażenia prądem elektrycznym.

Instrukcje bezpieczeństwa podczas użytkowania wiertarki udarowej z długimi wiertłami

Wiercenie należy rozpoczynać zawsze z małą prędkością obrotową i końcówką wiertła będącą w kontakcie z obrabianym przedmiotem. Przy wyższych prędkościach obrotowych, w przypadku swobodnego obracania się wiertła bez kontaktu z obrabianym przedmiotem, może dojść do jego zgięcia, co prowadzi do obrażeń ciała.

Dociskać wiertło tylko osiowo i nie wywierać nadmiernego nacisku. Wiertła mogą się wyginać, powodując złamanie lub utratę kontroli, co może prowadzić do obrażeń ciała.

Dodatkowe wskazówki bezpieczeństwa i instrukcje robocze

Należy nosić osobiste wyposażenie ochronne i zawsze okulary ochronne. Noszenie osobistego wyposażenia ochronnego – maski przeciwpyłowej, nieszlizgających się butów roboczych, kasku ochronnego lub środków ochrony słuchu (w zależności od rodzaju i zastosowania elektronarzędzia) – zmniejsza ryzyko obrażeń ciała.

Pył wydzielający się podczas pracy z elektronarzędziem może być szkodliwy dla zdrowia i dlatego też nie powinien on mieć kontaktu z ciałem. Stosować układ pochłaniania pyłu i nosić odpowiednią maskę ochronną. Dokładnie usunąć nagromadzony pył np. przy pomocy odkurzacza.

Nie wolno obrabiać materiałów, które mogą być przyczyną zagrożenia zdrowia (na przykład azbestu).

Podczas pracy przy ścianach, sufitach i podłodze należy uważać na

kable elektryczne, przewody gazowe i wodociągowe.

Należy zabezpieczyć przedmiot poddawany obróbce za pomocą urządzenia mocującego. Niezabezpieczone przedmioty poddawane obróbce mogą spowodować ciężkie obrażenia ciała i uszkodzenia.

Kabel zasilający nie może znajdować się w obszarze roboczym elektronarzędzia. Powinien on się zawsze znajdować się za operatorem.

W przypadku zablokowania narzędzia nasadzanego należy natychmiast wyłączyć urządzenie! Nie należy ponownie włączać urządzenia tak długo, jak długo narzędzie nasadzone jest zablokowane; przy tym mógłby powstać odrzut zwrotny o dużym momencie reakcyjnym. Należy wykręcić i usunąć przyczynę zablokowania narzędzia nasadzanego uwzględniając wskazówki dotyczące bezpieczeństwa.

Możliwymi przyczynami mogą być:

- Skośne ustawienie się w poddawany obróbce przedmiocie obrabianym
- Przelamanie obrabianego materiału
- Przeciżenie narzędzia elektrycznego

Nie należy sięgać do wnętrza maszyny będącej w ruchu.

Narzędzie robocze ma ostre krawędzie i może się nagrzewać podczas pracy.

OSTRZEŻENIE! Niebezpieczeństwo skaleczeń i oparzeń

- w trakcie obsługi narzędzi roboczych

- przy odstawianiu urządzenia

Podczas pracy z wykorzystaniem narzędzi roboczych należy nosić rękawice ochronne.

Podczas pracy elektronarzędzia nie wolno usuwać trocin ani drzazg.

Przed przystąpieniem do jakichkolwiek prac związanych z elektronarzędziem należy wyjąć wtyczkę z gniazdka.

PROCES CIĘCIA

Zimny rozruch

Jeśli narzędzie to jest nieużywane przez długi czas lub przechowywane w niskich temperaturach, może początkowo nie zadziałać, ponieważ smar uległ degradacji.

Rozgrzewanie narzędzia

1. Włożyć i zamocować wiertło lub dłuto do narzędzia.

2. Wcisnąć przycisk i przez kilka sekund docisnąć wiertło lub dłuto do betonowej lub drewnianej powierzchni. Zwolnić przycisk.

3. Powtarzać, aż narzędzie zacznie pracować. Im zimniejsze jest narzędzie, tym dłużej potrwa rozgrzewanie.

WARUNKI UŻYTKOWANIA

Młot do dłutowania i prac wyburzeniowych

PODŁĄCZENIE DO SIECI

Urządzenia pracujące w wielu różnych miejscach, w tym poza pomieszczeniami zamkniętymi, należy podłączać poprzez ochronny (FI, RCD, PRCD) wyłącznik udarowy.

Podłączyć tylko do źródła zasilania prądem zmiennym jednofazowym i wyłączenie o napięciu podanym na tabliczce znamionowej. Możliwe jest również podłączenie do gniazdka bez uziemienia, ponieważ konstrukcja odpowiada II klasie bezpieczeństwa.

Elektronarzędzie można podłączać do gniazdka sieciowego tylko wtedy, kiedy jest wyłączone.

UTRZYMANIE I KONSERWACJA

Otwory wentylacyjne elektronarzędzia muszą być zawsze drożne.

Jeżeli kabel zasilania sieciowego jest uszkodzony, musi on być wymieniony przez serwis naprawczy, ponieważ niezbędne jest specjalne narzędzie.

Używać tylko i wyłącznie wyposażenia dodatkowego Milwaukee i części zamiennych Milwaukee. Gdyby trzeba było wymienić części, które nie zostały opisane, należy skontaktować się z przedstawicielem serwisu Milwaukee (patrz wykaz adresów punktów usługowych/gwarancyjnych).

Na życzenie można otrzymać rysunek widoku zespołu rozebranego. Przy zamawianiu należy podać numer oraz typ elektronarzędzia umieszczonego na tabliczce znamionowej. Zamówienia można dokonać albo u lokalnych przedstawicieli serwisu, albo bezpośrednio w Techronic Industries GmbH, Max-Eyth-Straße 10, 71364 Winnenden, Germany.

SYMBOLY



Przed uruchomieniem elektronarzędzia zapoznać się uważnie z treścią instrukcji.



UWAGA! OSTRZEŻENIE NIEBEZPIECZEŃSTWO!



Przed przystąpieniem do jakichkolwiek prac związanych z elektronarzędziem należy wyjąć wtyczkę z gniazdka.



Podczas pracy należy zawsze nosić okulary ochronne.



Stosować środki ochrony słuchu!



Nosić odpowiednią maskę przeciwpyłową.



Nosić rękawice ochronne!



Wyposażenie dodatkowe dostępne osobno.



Zużyty sprzęt elektryczny i elektroniczny nie może być usuwany razem z odpadami pochodzącymi z gospodarstw domowych. Zużyty sprzęt elektryczny i elektroniczny należy gromadzić i usuwać oddzielnie. Przed utylizacją należy usunąć źródła światła z urządzeń. Proszę zasięgnąć informacji o centrach recyklingowych i punktach zbiorczych u władz lokalnych lub u wyspecjalizowanego dostawcy. W zależności od lokalnych przepisów, sprzedawcy detaliczni mogą być zobowiązani do bezpłatnego odbioru zużytego sprzętu elektrycznego i elektronicznego. Poprzez ponowne wykorzystanie i recykling zużytego sprzętu elektrycznego i elektronicznego pomagamy zmniejszać zapotrzebowanie na surowce. Zużyty sprzęt elektryczny i elektroniczny zawiera cenne materiały nadające się do recyklingu, które mogą mieć negatywny wpływ na środowisko naturalne i zdrowie użytkownika, jeśli nie zostaną zutylozowane w sposób przyjazny dla środowiska. Przed utylizacją zużytego sprzętu należy usunąć wszelkie zamieszczone na nim dane osobowe.



Elektronarządzie klasy ochrony II. Elektronarządzie, w którym zabezpieczenie przed porażeniem prądowym zależy nie tylko od izolacji podstawowej, lecz również od tego, czy zostały zastosowane dodatkowe środki ochrony, takie jak: izolacja podwójna lub izolacja wzmocniona. Nie ma żadnego urządzenia do podłączenia przewodu ochronnego.



Prędkość bez obciążenia



Napięcie



Europejski Certyfikat Zgodności



Brytyjski Certyfikat Zgodności



Ukraiński Certyfikat Zgodności



Euroazjatycki Certyfikat Zgodności



DEKLARACJA ZGODNOŚCI CE

Oświadczamy na naszą wyłączną odpowiedzialność, że produkt opisany pod "Dane techniczne" spełnia wszystkie istotne przepisy dyrektyw 2011/65/UE (RoHS) 2006/42/WE 2014/30/UE i zastosowano następujące zharmonizowane normy był używany EN 62841-1+A11:2022 EN 62841-2-6:2020 +A11:2020 EN IEC 55014-1:2021 EN IEC 55014-2:2021 EN IEC 61000-3-2:2019+A1:2021 EN 61000-3-3:2013+A1:2019+A2:2021 EN IEC 63000:2018

Wartości pomiarowe zostały wyznaczone zgodnie z 2000/14/EG przy uchu użytkownika. Metoda oceny zgodności zgodnie z aneksem VI.

EU Jednostka notyfikowana:
DEKRA Testing and Certification GmbH,
Handwerkstraße 15, 70565 Stuttgart

Location Certification Body, Dinnendahlstr. 9, 44809 Bochum,
Germany

Jednostka notyfikowana numer: 0158

Zmierzony poziom mocy akustycznej: 97,6 dB (A)

Gwarantowany poziom mocy akustycznej: 100,0 dB (A)



Winnenden, 2023-01-20

Alexander Krug

Alexander Krug / Managing Director
Upełnomocniony do zestawienia danych technicznych
Techtronic Industries GmbH
Max-Eyth-Straße 10, 71364 Winnenden, Germany

MŰSZAKI ADATOK Vésőkalapács	K 500 ST 220-240 V	K 500 ST 110-120 V
Gyártási szám	4431 81 07... 4439 21 07... ... 000001-999999	4433 46 07... ... 000001-999999
Névleges teljesítményfelvétel	1100 W	1100 W
Leadott teljesítmény	550 W	550 W
Ütésszám terhelés alatt max.	3000 min ⁻¹	3000 min ⁻¹
Egyedi ütőerő az „EPTAProcedure 05/2009” (2009/05 EPTA-eljárás) szerint	7,5 J	7,5 J
Feszítőnyak-ø	66 mm	66 mm
Súly a 01/2014 EPTA-eljárás szerint	5,9 kg	5,9 kg
Zajinformáció A köztölt értékek megfelelnek az EN 62841 szabványnak. A készülék munkahelyi zajszintje tipikusan:		
Hangnyomás szint (K bizonytalanság=3dB(A))	97,0 dB (A)	94,0 dB (A)
Hangteljesítmény szint (K bizonytalanság=3dB(A))	105,0 dB (A)	102,0 dB (A)
Hallásvédő eszköz használata ajánlott!		
Vibráció-információk Összesített rezgésértékek (három irányú vektoriális összeg az EN 62841-nek megfelelően meghatározva).		
Vésés: rezgésemisszió érték a _{h, Cheq}	12,8 m/s ²	11,3 m/s ²
K bizonytalanság	1,5 m/s ²	1,5 m/s ²

FIGYELMEZTETÉS!

Az adatlapon feltüntetett rezgés- és zajkibocsátási szint mérésére az EN 62841 szabványos vizsgálati módszere alapján került sor, és a kapott értékek az egyes szerszámok összehasonlítására használhatók. Az értékek az expozíció előzetes értékelésében használhatók.

A feltüntetett rezgés- és zajkibocsátási szint a szerszám főbb alkalmazásait tükrözi. Mindazonáltal, ha a szerszámot különböző alkalmazásokra, eltérő tartozékokkal használják, illetve a szerszám nincs megfelelően karbantartva, a rezgés- és zajkibocsátási szint eltérő lehet. Ez jelentősen növelheti az expozíciós szintet a teljes munkafolyamat során.

A rezgésnek és zajnak való expozíció becsült szintjét is figyelembe kell venni a szerszám kikapcsolásakor, illetve olyankor, ha a szerszám üzemel, de valójában nem történik vele munkavégzés. Ez jelentősen csökkentheti az expozíciós szintet a teljes munkafolyamat során.

Határozzon meg további biztonsági intézkedéseket, hogy védje a kezelőt a rezgés- és/vagy zajhatásoktól. Ilyen intézkedések pl.: a szerszámok és tartozékok karbantartása, a kéz melegen tartása, munkarend-szervezés.



FIGYELMEZTETÉS Olvasson el minden, a géppel együtt megkapott biztonsági utalást, utasítást, ábrázolást és adatot. A következőkben leírt előírások betartásának elmulasztása áramütésekhez, tűzhez és/vagy súlyos testi sérülésekhez vezethet. **Kérjük a későbbi használatra gondosan őrizze meg ezeket az előírásokat.**



BIZTONSÁGI UTASÍTÁSOK FŰRŐKALAPÁCS

Biztonsági utasítások minden munkaművelethez

Viseljen hallásvédőt. A zaj hatása hallásvesztést okozhat.

Használja a készülékkel együtt szállított kézfogantyúkat. A készülék fölötti ellenőrzés elvesztése sérüléseket okozhat.

Az elektromos kéziszerszámot csak a szigetelt fogantyúfelületeknél fogva tartsa, ha olyan munkát végez, amelynek során a betétszerszám feszültség alatt álló, kívülről nem látható vezetékhez, vagy a készülék saját hálózati csatlakozó kábeljéhez érhet. A vágószerszám feszültségvezető vezetékkel való érintkezésekor a készülék fém részei is feszültség alá kerülhetnek, és elektromos áramütés következhet be.

A fűrókalapács hosszú fűrókkal való használatára vonatkozó biztonsági útmutatások

A fűrást mindig kis fordulatszámmal kezdje és úgy, hogy a fűrószár csúcsa érintkezzen a munkadarabbal. Nagyobb fordulatszámmal a fűrószár hajlamos meghajolni, ha a munkadarabbal való érintkezés nélkül szabadon foroghat, ami személyi sérüléshez vezethet.

Mindig csak a fűrószár vonalában fejtse ki nyomóerőt és ne alkalmazzon túlzott nyomást. A fűrószárak meghajolhatnak, ami töréshez és az uralom elvesztéséhez vezet, ez pedig személyi sérülést okozhat.

További biztonsági és munkavégzési utasítások

Viseljen személyi védőfelszerelést és mindig viseljen védőszemüveget. A személyi védőfelszerelések, mint porvédő álarc, csúszásbiztos védőcipő, védősapka és fülvédő használata az elektromos kéziszerszám használata jellegének megfelelően csökkenti a személyes sérülések kockázatát.

A munkavégzőknek keletkező por az egészségre ártalmas lehet. Ilyen esetben ajánlatos a megfelelő elszívó berendezés és a védőmaszk használata. A munkaterületen lerakódott port alaposan el kell takarítani.

Nem szabad olyan anyagokat megmunkálni, amelyek egészségre veszélyesek (pl. azbesztet).

Falban, földben, aljzatban történő fűrásnál fokozottan ügyelni kell az elektromos-, víz- és gázvezetésekre.

Polski

Magyar



Mag

Biztosítsa a munkadarabot befogó szerkezettel. A nem biztosított munkadarabok súlyos sérüléseket és károkat okozhatnak.

Munka közben a hálózati csatlakozókábel a sérülés elkerülése érdekében a munkaterülettől, illetve a készüléktől távol kell tartani. A betétszám elakadásakor azonnal ki kell kapcsolni a készüléket! Addig ne kapcsolja vissza a készüléket, amíg a betétszám elakadása fennáll; ennek során nagy ellennyomatékú viszarúgás történhet. Határozza és szüntesse meg a betétszám elakadásának okát a biztonsági útmutatások betartása mellett.

Ennek a következők lehetnek az okai:

- a szerszám elakad a megmunkálandó munkadarabban
- A megmunkálandó anyag átszakadt
- az elektromos szerszám túlterhelése

Ne nyúljon a járó gépbe.

A betétszám éles szélű, és az alkalmazás során felforrósodhat. FIGYELMEZTETÉS! Vágási és égési sérülések veszélye

- a betétszerszámok kezelésekor
- a készülék lerakásakor

A betétszámok kezelésekor védőkesztyűt kell használni.

A munka közben keletkezett forgácsokat, szilánkokat, törmelékét, stb. csak a készülék teljes leállása után szabad a munkaterületről eltávolítani.

Bármilyen jellegű karbantartás vagy javítás előtt a készüléket áramtalanítani kell.

ÜZEMELTETÉS

Hidegindítás

Ha a szerszámot hosszú ideig vagy alacsony hőmérsékleten tárolják, akkor lehetséges, hogy a kenőanyag megdermedése miatt kezdetben nem használható.

A szerszám bemelegítése

1. Helyezzen be és rögzítsen egy fűrő- vagy vésőszárat a szerszámba.
2. Húzza meg a be-/kikapcsológombot, és néhány másodpercig alkalmazzon erőt a fűrő- vagy vésőszárra beton vagy fa felületen. Engedje fel a be-/kikapcsológombot.
3. Ismétlje meg ezt mindaddig, amíg a fűrő-vésőkalapács működni nem kezd. Minél hidegebb a szerszám, annál hosszabb időt vesz igénybe a bemelegedés.

RENDELTESSZERŰ HASZNÁLAT

A bontókalapács használható kőzetekbe történő véséshez és betonban.

HÁLÓZATI CSATLAKOZTATÁS

Szabadban a dugaljat hibaáram-védőkapcsolóval kell ellátni. Az elektromos készülékek üzembehelyezési útmutatása ezt kötelezően előírja (FI, RCD, PRCD). Ügyeljen erre az elektromos kéziszerszámok használatakor is.

A készüléket csak egyfázisú váltóáramra és a teljesítménytáblán megadott hálózati feszültségre csatlakoztassa. A csatlakoztatás védőórintkező nélküli dugaszolóaljzatokra is lehetséges, mivel a készülék felépítése II. védettségi osztályú.

A készüléket csak kikapcsolt állapotban szabad ismét áram alá helyezni.

KARBANTARTÁS

A készülék szellőzőnyílásait mindig tisztán kell tartani.

Ha a hálózati csatlakozóvezeték megsérült, akkor azt ügyfélszolgálati hely által kell kicseréltetni, mert ahhoz speciális szerszám szükséges.

Csak Milwaukee tartozékokat és Milwaukee pótalkatrészeket szabad használni. Az olyan elemeket, melyek cseréje nincs ismertetve, cseréltesse ki Milwaukee szervizzel (lásd Garancia/Ügyfélszolgálat címe kiadványt).

Szükség esetén a készülékek robbantott ábráját - a készülék típusa és azonosító száma alapján a területileg illetékes TTI márkaszerviztől vagy közvetlenül a gyártótól (Techtronic Industries GmbH, Max-Eyth-Straße 10, 71364 Winnenden, Germany) lehet kérni.

SZIMBÓLUMOK



Kérjük alaposan olvassa el a tájékoztatót mielőtt a gépet használja.



FIGYELEM! FIGYELMEZTETÉS! VESZÉLY!



Bármilyen jellegű karbantartás vagy javítás előtt a készüléket áramtalanítani kell.



Munkavégzés közben ajánlatos védőszemüveget viselni.



Viseljen hallásvédőt.



Hordjon e célra alkalmas porvédőmaszkot.



Hordjon védőkesztyűt!



Azokat a tartozékokat, amelyek gyárilag nincsenek a készülékhez mellékelve.



Az elektromos és elektronikus berendezések hulladékait nem szabad a háztartási hulladékkal együtt ártalmatlanítani. Az elektromos és elektronikus berendezések hulladékait elkülönítve kell gyűjteni és ártalmatlanítani. Az ártalmatlanítás előtt távolítsa el az izzókat a berendezésekből. A helyi hatóságoknál vagy szakkereskedőjénél tájékozódjon a hulladékudvarokról és gyűjtőhelyekről. A helyi rendelkezésektől függően a kiskereskedők kötelesek lehetnek az elektromos és elektronikus berendezések hulladékait ingyenesen visszavenni. Az elektromos és elektronikus berendezések hulladékainak újrahasználatával és újrahasznosításával járuljon hozzá a nyersanyagszükséglet csökkentéséhez. Az elektromos és elektronikus berendezések hulladékai értékes újrahasznosítható anyagokat tartalmaznak, melyek környezetvédelmi szempontból nem megfelelő ártalmatlanítás esetén negatív hatással lehetnek a környezetre és az Ön egészségére. Ártalmatlanítás előtt törölje a használt készüléken lévő lehetséges személyes adatokat.



II. védelmi osztályú elektromos szerszám. Olyan elektromos szerszám, amelynek az elektromos áramütés elleni védelem nem csak az alapszigeteléstől függ, hanem amelyben kiegészítő védőintézkedéseket, mint pl. kettős szigetelés vagy megerősített szigetelés, alkalmaznak. Nincs lehetőség védőórintkező csatlakoztatására.



Üresjáratú fordulatszám



Feszültség



Váltóáram



Európai megfelelőségi jelölés



Egyesült királyságbeli megfelelőségi jelölés



Ukrán megfelelőségi jelölés



Eurázsiai megfelelőségi jelölés

CE-AZONOSSÁGI NYILATKOZAT

Kizárólagos felelősségünk alapján kijelentjük, hogy a „Műszaki adatok” fejezetben leírt termék megfelel a irányelvek összes vonatkozó rendelkezésének
2011/65/EU (RoHS)
2006/42/EK
2014/30/EU
harmonizált szabvány és a használtak
EN 62841-1+A11:2022
EN 62841-2-6:2020 +A11:2020
EN IEC 55014-1:2021
EN IEC 55014-2:2021
EN IEC 61000-3-2:2019+A1:2021
EN 61000-3-3:2013+A1:2019+A2:2021
EN IEC 63000:2018

A mért értékek meghatározására a 2000/14/EK szerint a felhasználó fiúlen került sor. Megfelelőség-értékelési eljárás a VI. melléklet szerint.

EU Megnevezett szerv:
DEKRA Testing and Certification GmbH,
Handwerkstraße 15, 70565 Stuttgart
Location Certification Body, Dinnendahlstr. 9, 44809 Bochum, Germany
Megnevezett szerv szám: 0158

Mért hangteljesítményszint: 97,6 dB (A)

Szavatolt hangteljesítményszint: 100,0 dB (A)



Winnenden, 2023-01-20

Alexander Krug / Managing Director
Műszaki dokumentáció összeállításra felhatalmazva
Techtronic Industries GmbH
Max-Eyth-Straße 10, 71364 Winnenden, Germany

TEHNIČNI PODATKI Sekalna kladiva	K 500 ST 220-240 V	K 500 ST 110-120 V
Proizvodna številka	4431 81 07... 4439 21 07... ... 000001-999999	4433 46 07... ... 000001-999999
Nazivna sprejemna moč	1100 W	1100 W
Oddajna zmogljivost	550 W	550 W
Bremensko število udarcev maks.	3000 min ⁻¹	3000 min ⁻¹
Jakost posameznega udarca v skladu z EPTA-Procedure 05/2009	7,5 J	7,5 J
Vpenjalni vrat \emptyset	66 mm	66 mm
Teža po EPTA-proceduri 01/2014	5,9 kg	5,9 kg
Informacije o hrupnosti Vrednosti merjenja ugotovljene ustrezno z EN 62841. Raven hrupnosti naprave ovrednotena z A, znaša tipično:		
Nivo zvočnega tlaka (Nevarnost K=3dB(A))	97,0 dB (A)	94,0 dB (A)
Višina zvočnega tlaka (Nevarnost K=3dB(A))	105,0 dB (A)	102,0 dB (A)
Nosite zaščito za sluh!		
Informacije o vibracijah Skupna vibracijska vrednost (Vektorska vsota treh smerdoločena ustrezno EN 62841.		
Klesanje: Vibracijska vrednost emisij $a_{h, Cheq}$ Nevarnost K=	12,8 m/s ² 1,5 m/s ²	11,3 m/s ² 1,5 m/s ²

OPOZORILO!

Raven vibracij in hrupa, navedena v tem informativnem listu, je bila izmerjena v skladu s standardiziranim preskusom iz EN 62841 in jo je mogoče uporabljati za primerjavo orodij med seboj. Mogoče jo je tudi uporabiti za predhodno oceno izpostavljenosti.

Navedena raven vibracij in hrupa predstavlja glavno uporabo orodja. Če pa se orodje uporablja za različne namene, z različnimi dodatki ali slabo vzdrževano, se lahko vibracije in hrup razlikujejo. To lahko znatno poveča raven izpostavljenosti v celotnem delovnem obdobju.

Pri oceni ravni izpostavljenosti vibracijam in hrupu je treba upoštevati tudi čas, ko je orodje izklopljeno ali ko teče, vendar dejansko ne opravlja dela. To lahko bistveno zmanjša raven izpostavljenosti v celotnem delovnem obdobju.

Ugotovite dodatne varnostne ukrepe za zaščito upravljalca pred učinki vibracij in/ali hrupa, kot so: vzdrževanje orodja in dodatkov, tople roke, organizacija delovnih vzorcev.

⚠ OPOZORILO Preberite vse varnostne napotke, navodila, prikaze in podatke, ki ste jih prejeli skupaj z napravo. Napa-ke zaradi neupoštevanja spodaj navedenih opozoril in napotil lahko povzročijo električni udar, požar in/ali težke telesne poškodbe.
Vsa opozorila in napotila shranite, ker jih boste v prihodnje še potrebovali.

⚠ VARNOSTNA NAVODILA ZA VRTALNEGA KLADIVA

Varnostna navodila za vse uporabe

Nosite zaščito za sluh. Hrup lahko povzroči izgubo sluha.

Uporabite dodatne ročaje, ki so dobavljeni skupaj z napravo. Izguba kontrole lahko povzroči poškodbe.

Če izvajate dela, pri katerih bi lahko vstavno orodje zadelo ob skrite električne vodnike ali ob lastni omrežni kabel, držite električno orodje samo za izolirane ročaje. Stik rezalnega orodja z napetostnim vodnikom napeljav lahko privede kovinske dele naprave pod napetost in vodi do električnega udara.

Varnostni napotki za uporabo pnevmatičnega vrtalnika z dolgimi svedri

Vedno začnite pri nizki hitrosti in tako, da se sveder dotika obdelovanca. Pri višjih hitrostih se lahko sveder upogne, če se lahko prosto vrti, ne da bi se dotaknil obdelovanca, kar lahko privede do telesnih poškodb.

Uporabite pritisk samo pri neposredni črti z nastavkom in ne pritiskajte preveč. Nastavki se lahko upognejo in povzročijo prelom ali izgubo nadzora, kar lahko privede do telesnih poškodb.

Nadaljna varnostna in delovna opozorila

Uporabljajte osebno zaščitno opremo in vedno nosite zaščitna očala. Nošenje osebne zaščitne opreme, na primer maske proti prahu, nehrsečih zaščitnih čevljev, varnostne čelade ali zaščitnih glušnikov, kar je odvisno od vrste in načina uporabe električnega orodja, zmanjšuje tveganje telesnih poškodb.

Prah, ki nastaja pri delu, je pogosto zdravju škodljiv in naj ne zaide v telo. Uporabljajte odesavanje prahu in dodatno nosite primerno masko za zaščito proti prahu. Prah, ki se usede, temeljito očistite, npr. posešajte.

Obdelava materialov, iz katerih izhaja ogroženost zdravja (npr. azbest), ni dovoljena.

Pri delih na steni, stropu ali v tleh pazite na električne kable, plinske in vodne napeljave.

Obdelovane zavarujte z vpenjalno pripravo. Nezavarovani obdelovanci lahko povzročijo težke poškodbe in okvare.

Vedno pazite, da se priključni kabel ne približa področju delovanja stroja. Kabel vedno vodite za strojem.

V primeru blokade orodja napravo takoj izklopite! Naprave ponovno ne vklaplajte dokler je orodje blokirano; pri tem bi lahko prišlo do

povratnega udara z velikim reakcijskim momentom. Ugotovite in odpravite vzroke blokade orodja ob upoštevanju varnostnih navodil.

Možni vzroki so lahko:

- Zagozditev v obdelovanca
- Preboj obdelovanega materiala
- Preobremenitev električnega orodja

Ne segajte v stroj v teku.

Orodje ima ostre robove in se lahko med uporabo segreje.

OPOZORILO! Nevarnost uresnin in opeklin

- pri rokovanju z orodji

- pri odlaganju naprave

Pri rokovanju z orodji nosite zaščitne rokavice.

Trske ali iveri se pri tekočem stroju ne smejo odstranjevati.

Pred vsemi deli na stroju izvlecite vtičač iz vtičnice.

UPRAVLJANJE

Hladen zagon

Če orodje hranite dalj časa ali pri nizkih temperaturah, morda ne bo začelo pribijati, ker se mast strdi.

Segrevanje orodja

1. Vstavite in zaskočite ploščico ali dleto v orodje.
2. Aktivirajte sprožilo in stisnite ploščico ali dleto ob beton ali leseno površino za nekaj sekund. Sprostite sprožilo.
3. Ponavljajte, dokler orodje na začne pribijati. Hladnejše ko je orodje, dalj časa bo trajalo segrevanje.

UPORABA V SKLADU Z NAMEMBOSTJO

Klesarsko kladivo je primerno za klesanje v kamnu in betonu.

OMREŽNI PRIKLJUČEK

Vtičnice v zunanem področju morajo biti opremljene z zaščitnimi stikali za okvarni tok (FI, RCD, PRCD). To zahteva instalacijski predpis za vašo električno napravo. Prosimo, da to pri uporabi naše naprave upoštevate.

Priključite samo na enofazni izmenični tok in samo na omrežno napetost, ki je označena na tipski ploščici. Priključitev je možna tudi na vtičnice brez zaščitnega kontakta, ker obstaja nadgradnja zaščitnega razreda.

Stroj priklopite na vtičnico samo v izklopljenem stanju.

VZDRŽEVANJE

Pazite na to, da so prezačevalne reže stroja vedno čiste.

V kolikor je priključni omrežni vodnik poškodovan, ga je potrebno s strani servisne službe nadomestiti, ker je za ta namen potrebno posebno orodje.

Uporabljajte samo Milwaukee pribor in Milwaukee nadomestne dele. Poskrbite, da sestavne dele, katerih zamenjava ni opisana, zamenjajo v Milwaukee servisni službi (upoštevajte brošuro Garancija aslovi servisnih služb).

Po potrebi se lahko pri vaši servisni službi ali direktno pri Techtronic Industries GmbH naroči eksplozijska risba naprave ob navedbi tipa stroja in številke s tipske ploščice Techtronic Industries GmbH, Max-Eyth-Straße 10, 71364 Winnenden, Germany.

SIMBOLI



Prosimo, da pred uporabo pozorno preberete to navodilo za uporabo.



POZOR! OPOZORILO! NEVARNO!



Pred vsemi deli na stroju izvlecite vtičač iz vtičnice.



Pri delu s strojem vedno nosite zaščitna očala.



Nosite zaščito za sluh.



Nosite ustrezno masko proti prahu.



Nositi zaščitne rokavice



Oprema – ni vsebovana v obsegu dobave.



Odpadne električne in elektronske opreme ne odstranjajte kot nesortirani komunalni odpadki. Odpadno električno in elektronsko opremo je treba zbirati ločeno. Odpadne svetlobne vire je treba odstraniti iz opreme. Za nasvet glede recikliranja in zbirnih mest se obrnite na lokalno oblast ali trgovca. V skladu z lokalnimi predpisi so lahko trgovci na drobno obvezani, da morajo brezplačno vzeti nazaj odpadno električno in elektronsko opremo. Vaš prispevek k ponovni uporabi in recikliranju odpadne električne in elektronske opreme pomaga pri zmanjševanju povpraševanja po surovinah. Odpadna električna in elektronska oprema vsebuje dragocene materiale, primerne za recikliranje, ki imajo lahko, če niso odstranjeni na okolju prijazen način, škodljive posledice za okolje in zdravje ljudi. Z odpadne opreme izbišite osebne podatke, če obstajajo.



Električno orodje zaščitnega razreda II. Električno orodje, pri katerem zaščita pred električnim udarom ni odvisna zgolj od osnovne izolacije, temveč tudi od tega, da so uporabljeni dodatni ukrepi, kot dvojna ali okrepljena izolacija. Ni priprave za priključek zaščitnega vodnika.



Število vrtljajev v prostem teku



Napetost



Izmenični tok



Evropska oznaka za združljivost



Britanska oznaka za združljivost



Ukrajinska oznaka za združljivost



Evrazijska oznaka za združljivost

CE-IZJAVA O KONFORMNOSTI

S polno odgovornostjo izjavljamo, da izdelek, opisan pod „Tehnični podatki“ izpolnjuje vse ustrezne določbe direktiv 2011/65/EU (RoHS) 2006/42/ES 2014/30/EU

ter da so bili uporabljeni naslednji harmonizirani standardi so bili uporabljeni

EN 62841-1+A11:2022
EN 62841-2-6:2020 +A11:2020
EN IEC 55014-1:2021
EN IEC 55014-2:2021
EN IEC 61000-3-2:2019+A1:2021
EN 61000-3-3:2013+A1:2019+A2:2021
EN IEC 63000:2018

Merilne vrednosti so ugotovljene ustrezno 2000/14/EG na ušesu uporabnika. Postopek ocene skladnosti ustrezno aneksu VI.

EU Imenovano mesto:

DEKRA Testing and Certification GmbH,
Handwerkstraße 15, 70565 Stuttgart

Location Certification Body, Dinnendahlstr. 9, 44809 Bochum,
Germany

Imenovano mesto številko: 0158

Izmerjena višina zvočnega tlaka: 97,6 dB (A)

Garantirana višina zvočnega tlaka: 100,0 dB (A)



Winnenden, 2023-01-20

Alexander Krug / Managing Director

Pooblaščen za izdelavo spisov tehnične dokumentacije.

Techtronic Industries GmbH

Max-Eyth-Straße 10, 71364 Winnenden, Germany

Slovenščina

TEHNIČKI PODACI Klesачki čekić	K 500 ST 220-240 V	K 500 ST 110-120 V
Broj proizvodnje	4431 81 07... 4439 21 07... ... 000001-999999	4433 46 07... ... 000001-999999
Snaga nominalnog prijema	1100 W	1100 W
Predajni učinak	550 W	550 W
Broj udaraca pod opterećenjem max.	3000 min ⁻¹	3000 min ⁻¹
Jačina pojedinačnih udaraca prema EPTA-Procedure 05/2009	7,5 J	7,5 J
Stezno grlo-ø	66 mm	66 mm
Težina po EPTA-proceduri 01/2014	5,9 kg	5,9 kg
Informacije o buci Mjerne vrijednosti utvrđene odgovarajuće EN 62841. A-ocijenjeni nivo buke aparata iznosi tipično:		
Nivo pritiska zvuka (Nesigurnost K=3dB(A))	97,0 dB (A)	94,0 dB (A)
Nivo učinka zvuka (Nesigurnost K=3dB(A))	105,0 dB (A)	102,0 dB (A)
Nositi zaštitu sluha!		
Informacije o vibracijama Ukupne vrijednosti vibracije (Vektor suma tri smjersu odmjerene odgovarajuće EN 62841)		
Klesanje:		
Vrijednost emisije vibracije a _{h, Cheq}	12,8 m/s ²	11,3 m/s ²
Nesigurnost K=	1,5 m/s ²	1,5 m/s ²

UPOZORENIE!

Razine emisije vibracija i buke navedena u ovom informacijskom listu izmjerene su u skladu sa standardiziranim ispitom koji propisuje EN 62841 i mogu se upotrebljavati za međusobnu usporedbu alata. Također se mogu upotrebljavati za prethodnu procjenu izloženosti.

Navedene razine emisija vibracija i buke predstavljaju glavnu svrhu primjene alata. Međutim, ako se alat upotrebljava u druge svrhe, s drugim priborom ili se ne održava dovoljno, emisije vibracija i buke mogu biti drukčije. To može značajno povećati razinu izloženosti tijekom cjelokupna razdoblja rada.

Procjena razine izloženosti vibracijama i buci također bi u obzir trebala uzeti razdoblja tijekom kojih je alat isključen ili kada je uključen, no njime se ne obavlja nikakav rad. Time se značajno može smanjiti razina izloženosti tijekom cjelokupna razdoblja rada.

Utvrđite dodatne sigurnosne mjere kako biste zaštitili rukovatelja od ovih učinaka vibracija i/ili buke, primjerice: održavanje alata i pribora, osiguravanje da ruke budu tople, organizacija obrazaca rada.



UPOZORENIE Pročitajte sve sigurnosne upute, napomene, prikaze i podatke koje dobijete uz uređaj. Ako se ne bi poštivale napomene o sigurnosti i upute to bi moglo uzrokovati strujni udar, požar i/ili teške ozljede.
Sačuvajte sve napomene o sigurnosti i upute za buduću primjenu.



SIGURNOSNE UPUTE ZA BUŠAČEG ČEKIČA

Sigurnosne upute za sve upotrebe

Nosite zaštitu za sluh. Djelovanje buke može uzrokovati gubitak sluha.

Koristite dodatne drške koje su isporučene sa aparatom. Gubitak kontrole može prouzročiti povrede.

Ako izvodite radove kod kojih bi radni alat mogao zahvatiti skrivene električne vodove ili vlastiti priključni kabel, električni alat držite samo za izolirane ručke. Kontakt rezačkog alata sa vodovima koji sprovode napon može metalne dijelove sprave dovesti pod napon i tako dovesti do električnog udara.

Sigurnosne upute za primjenu bušačkog čekića s dugim svrdlima
Uvijek počnite bušiti s malom brzinom tako da vrh svrdla dodiruje obradak. Pri većim brzinama, svrdlo se može saviti ako se može

slobodno okretati bez kontakta s obratkom, što može dovesti do tjelesnih ozljeda.

Primijenite pritisak samo izravno na svrdlo i nemojte previše pritiskati. Svrdla se mogu saviti, pa se mogu slomiti a vi možete izgubiti kontrolu i tako može doći do tjelesnih ozljeda.

Ostale sigurnosne i radne upute

Nosite osobnu zaštitnu opremu i uvijek nosite zaštitne naočale. Nošenje osobne zaštitne opreme, kao što je maska za prašinu, sigurnosna obuća koja ne klizi, zaštitna kaciga ili štitnik za sluh, ovisno od vrste i primjene električnog alata, smanjuje opasnost od ozljeda.

Prašina koja nastaje kod rada je često štetna po zdravlje i ne bi smjela dospjeti u tijelo. Primijeniti usisavanje prašine i dodatno nositi prikladnu zaštitnu masku protiv prašine. Sleglu prašinu temeljito odstraniti, npr. usisati.

Ne smiju se obrađivati nikakvi materijali, od kojih prijete opasnost po zdravlje (npr. azbest).

Kod radova na zidu, stropu ili podu paziti na električne kablove kao i vodove plina i vode.

Osigurajte vaš izradak jednim steznim uređenjem. Neosigurani izradci mogu prouzročiti teške povrede i oštećenja.

Priključni kabel uvijek držati udaljenim sa područja djelovanja.

Hrvatski

Kabel uvijek voditi od stroja prema nazad.

Kod blokiranja alata koji se upotrebljava uređaj molimo odmah isključiti! Uređaj nemojte ponovno uključiti za vrijeme dok je alat koji se upotrebljava blokiran; time može doći do povratnog udara sa visokim reakcijskim momentom. Pronađite i otklonite uzrok blokiranja alata koji se upotrebljava uz poštivanje sigurnosnih uputa.

Mogući uzroci za to mogu biti:

- Izobličavanje u izratku koji se obrađuje
- Proboj materijala koji se obrađuje
- Preopterećenje električnog alata

Nemojte sezati u stroj koji radi.

Radni alat je oštroidan i može za vrijeme uporabe postati vruć. UPOZORENJE! Opasnost od rezanja i opekotina

- kod rukovanja s radnim alatima
- kod odlaganja uređaja

Kod rukovanja radnim alatima nositi zaštitne rukavice.

Piljevina ili iverje se za vrijeme rada stroja ne smiju odstranjivati. Prije radova na stroju izvući utikač iz utičnice.

RUKOVANJE

Hladno pokretanje

Ako se ovaj alat skladišti tijekom dugačkog razdoblja ili pri niskim temperaturama, čekić možda isprva neće funkcionirati jer se mazivo skrutilo.

Za zagrijavanje alata

1. Umetnite i fiksirajte svrdlo ili dljetu u alat.
2. Povucite sklopku za uključivanje i primijenite silu na svrdlo ili dljetu o betonsku ili drvenu površinu nekoliko sekundi. Otpustite sklopku za uključivanje.
3. Ponavljajte postupak dok se funkcija čekića alata ne uspostavi. Što je alat hladniji, to će mu dulje trebati da se zagrije.

PROPISNA UPOTREBA

Čekić je upotrebljiv za klesanje u kamenju i betonu.

PRIKLJUČAK NA MREŽU

Utičnice na vanjskom području moraju biti opremljene zaštitnim prekidačima za pogrešnu struju (FI, RCD, PRCD). To zahtjeva instalacijski propis za električne uređaje. Molimo da ovo poštuju prilikom upotrebe našeg aparata.

Priključiti samo na jednofaznu naizmjeničnu struju i samo na napon struje, naveden na pločici snage. Priključak je moguć i na utičnice bez zaštitnog kontakta, jer postoji dogradnja zaštitne klase II.

Samo isključeni stroj priključiti na utičnicu.

ODRŽAVANJE

Proreze za prozračivanje stroja uvijek držati čistima.

Ako je mrežni priključni vod oštećen, mora se od strane servisa zamijeniti, zato što je za to potreban specijalan alat.

Primijeniti samo Milwaukee opremu i Milwaukee rezervne dijelove. Sastavne dijelove, čija zamjena nije opisana, dati zamijeniti kod jedne od Milwaukee servisnih službi (poštivati brošuru Garancija/Adrese servisa).

Po potrebi se može zatražiti crtež eksplozije aparata uz davanje podataka o tipu stroja i desetoznamenkastog broja na pločici snage kod Vaše servisne službe ili direktno kod Techtronic Industries GmbH, Max-Eyth-Straße 10, 71364 Winnenden, Germany.

SIMBOLI



Molimo da pažljivo pročitate uputu o upotrebi prije puštanja u rad.



PAŽNJA! UPOZORENJE! OPASNOST!



Prije radova na stroju izvući utikač iz utičnice.



Kod radova na stroju uvijek nositi zaštitne naočale.



Nosite zaštitu za sluh.



Nositi prikladnu zaštitnu masku protiv prašine.



Nositi zaštitne rukavice!



Oprema - u opsegu isporuke nije sadržana.



Električni i električni stari uređaji se ne smiju zbrinjivati skupa sa kućnim smećem. Električni i električni stari uređaji se moraju odvojeno skupljati i zbrinuti. Odstranite rasvjetna sredstva iz uređaja prije zbrinjavanja. Raspitajte se kod mjesnih vlasti ili kod Vašeg stručnog trgovca o mjestima recikliranja i mjestima skupljanja. Zavisno o mjesnim odredbama stručni trgovci mogli biti obvezatni, električne i električne stare uređaje besplatno uzeti nazad. Doprinesite kroz ponovnu primjenu i recikliranje električnih i električnih starih uređaja tome, da se potreba za sirovinama smanji. Električni i električni uređaji sadržavaju vrijedne, ponovno upotrebne materijale, koji bi kod zbrinjavanja protivno očuvanju okoline mogli imati negativne posljedice za okolinu i Vaše zdravlje. Prije zbrinjavanja izbrisite postojeće podatke koji se odnose na osobe, koji se po mogućnosti nalaze na Vašem starom uređaju.



Električni alat zaštitne kategorije II. Električni alat, čija zaštita od jednog električnog udara ne zavisi samo od osnovne izolacije, već i od toga, da se primijene dodatne zaštitne mjere, kao što su dvostruka izolacija ili pojačana izolacija. Ne postoji nikakva naprava za priključak nekog zaštitnog voda.



Broj okretaja praznog hoda



Napon



Izmjenična struja



Europski znak suglasnosti



Britanski znak suglasnosti



Ukrajinski znak suglasnosti



Euroazijski znak suglasnosti

CE-IZJAVA KONFORMNOSTI

Izjavljujemo pod vlastitom odgovornošću da proizvod opisan u odjeljku "Tehnički podaci" ispunjava sve potrebne odredbe smjernica 2011/65/EU (RoHS)

2006/42/EC

2014/30/EU

i da su korišteni sljedeći usklađeni standardi su korišteni

EN 62841-1+A11:2022

EN 62841-2-6:2020 +A11:2020

EN IEC 55014-1:2021

EN IEC 55014-2:2021

EN IEC 61000-3-2:2019+A1:2021

EN 61000-3-3:2013+A1:2019+A2:2021

EN IEC 63000:2018

Mjerne vrijednosti istražene odgovarajuće 2000/14/EG na uhu korisnika. Postupak ocjene konformnosti prema aneksu VI.

EU Imenovano mjesto:

DEKRA Testing and Certification GmbH,

Handwerkstraße 15, 70565 Stuttgart

Location Certification Body, Dinnendahlstr. 9, 44809 Bochum, Germany

Imenovano mjesto broj: 0158

Izmjereni nivo učinka zvuka: 97,6 dB (A)

Garantirani nivo učinka zvuka: 100,0 dB (A)



Winnenden, 2023-01-20

Alexander Krug / Managing Director

Ovlašten za formiranje tehničke dokumentacije.

Techtronic Industries GmbH

Max-Eyth-Straße 10, 71364 Winnenden, Germany

TEHNISKIE DATI Cīršanas āmurs	K 500 ST 220-240 V	K 500 ST 110-120 V
Izlaides numurs	4431 81 07... 4439 21 07... ... 000001-999999	4433 46 07... ... 000001-999999
Nominālā atdotā jauda	1100 W	1100 W
Cietkoks	550 W	550 W
Sitienu biežums ar slodzi maksimālais	3000 min ⁻¹	3000 min ⁻¹
Atsevišķo triecienu enerģija atbilstoši EPTA-Procedure 05/2009	7,5 J	7,5 J
Kakla diametrs	66 mm	66 mm
Svars atbilstoši EPTA -Procedure 01/2014	5,9 kg	5,9 kg
Trokšņu informācija Vērtības, kas noteiktas saskaņā ar EN 62841. A novērtētās aparatūras skaņas līmenis ir:		
Trokšņa spiediena līmenis (Nedrošība K=3dB(A))	97,0 dB (A)	94,0 dB (A)
Trokšņa jaudas līmenis (Nedrošība K=3dB(A))	105,0 dB (A)	102,0 dB (A)
Nēsāt trokšņa slāpētāju!		
Vibrāciju informācija Svārstību kopējā vērtība (Trīs virzienu vektoru summtiek noteikta atbilstoši EN 62841.		
Skaldīšana: svārstību emisijas vērtība a _{h, Cheq} Nedrošība K=	12,8 m/s ² 1,5 m/s ²	11,3 m/s ² 1,5 m/s ²

UZMANĪBU!

Vibrācijas un trokšņa emisijas līmenis šajā informācijas lapā ir izmērīts saskaņā ar EN 62841 standarta testa metodi un var tikt izmantots, lai salīdzinātu vienu ierīci ar otru. Tās var tikt izmantotas ietekmes sākotnējai izvērtēšanai.

Norādītais vibrācijas un trokšņa emisijas līmenis attēlo ierīces galvenos izmantošanas veidus. Tomēr, ja ierīce tiek izmantota citiem mērķiem, ar citu papildaprīkojumu vai nepareizi apkalpota, vibrācijas un trokšņa emisija var atšķirties. Tas var ievērojami paaugstināt ietekmes līmeni visā darba laikā.

Novērtējot vibrācijas un trokšņa ietekmes līmeni, vajadzētu ņemt vērā arī laiku, kad ierīce ir izslēgta vai ieslēgta, taču netiek lietota. Tas var ievērojami samazināt ietekmes līmeni visā darba laikā.

Lai aizsargātu operatoru no vibrācijas un/vai trokšņa, veiciet papildu drošības pasākumus, piemēram, veiciet apkopi ierīcei un papildaprīkojumam, uzturiet rokas siltas, organizējiet darba grafiku.

UZMANĪBU! Izlasiet visus drošības norādījumus, instrukcijas, attēlus un datus, ko saņemat kopā ar ierīci. Šeit sniegto drošības noteikumu un norādījumu neievērošana var izraisīt aizdegšanos un būt par cēloni elektriskajam triecienam vai nopietnam savainojumam. **Pēc izlasīšanas uzglabājiet šos noteikumus turpmākai izmantošanai.**

DROŠĪBAS INSTRUKCIJAS ROTĀCIJAS ĀMURU

Darba drošības noteikumi

Nēsājiet ausu aizsargus. Trokšņa iedarbība var izraisīt dzirdes zudumu.

Lietojiet instrumentam pievienotos papildus rokturus. Zaudējot kontroli, var gūt ievainojumus.

Ja darbinstruments var skart slēptu elektropārvades līniju vai instrumenta elektrokabeli, darba laikā turiet elektroinstrumentu aiz izolētajiem rokturiem, nepieskaroties metāla daļām. Šī instrumenta saskare ar strāvu vadošiem kabeļiem var radīt spriegumu arī ierīces metāliskajās daļās un var izraisīt elektrisko triecienu.

Drošības instrukcija triecienu ir ar garo vītņi lietošanai

Urbšanu vienmēr sāciet ar mazāku ātrumu, kad urbja gals saskaras ar detaļu. Lielākā ātrumā urbis, brīvi griežoties un neskarot detaļu, var saliekties un izraisīt traumas.

Spiediet tikai taisni, urbja garenvirzienā, un nepielietojiet pārmērīgu spēku. Urbis var saliekties, izraisot bojājumu vai kontroles zudumu un traumas lietotājam.

Citas drošības un darba instrukcijas

Izmantojiet individuālos darba aizsardzības līdzekļus. Darba laikā nēsājiet aizsargbrilles. Individuālo darba aizsardzības līdzekļu (putekļu maskas, neslidošu apavu un aizsargķiveres vai ausu aizsargu) pielietošana atbilstoši elektroinstrumenta tipam un veicamā darba raksturam ļauj izvairīties no savainojumiem.

Putekļi, kas rodas strādājot, bieži ir kaitīgi veselībai, un tiem nevajadzētu nokļūt ķermenī. Vajag izmantot putekļusūcēju un bez tam nēsāt masku, kas pasargā no putekļiem. Nosēdušos putekļus vajag aizvērt, piem. nosūknēt.

Nedrīkst apstrādāt materiālus, kas rada draudus veselībai (piemēram, azbestu).

Veicot darbus sienu, griestu un grīdas apvidū, vajag uzmanīties, lai nesabojātu elektriskos, gāzes un ūdens vadus.

Fiksējiet apstrādājamo materiālu ar fiksācijas aprīkojumu. Nenostiprināti materiāli var izraisīt smagus savainojumus un bojājumus.

Pievienojuma kabeli vienmēr turēt atstātus no mašīnas darbības lauka. Kabelim vienmēr jāatrodas aiz mašīnas.

Ja izmantojamais darba rīks tiek bloķēts, nekavējoties izslēgt ierīci! Neieslēdziet ierīci, kamēr izmantojamais darba rīks ir bloķēts; var rasties atsitieni ar augstu griezes momentu. Noskaidrojiet un novērsiet izmantojamā darba rīka bloķēšanas iemeslu, ievērojot visas drošības norādes.

Automātiskās apstāšanās iespējamie iemesli:

- iesprūdis apstrādājamajā materiālā
- Apstrādājamā materiāla caururbšana
- elektroinstrumenti ir pārslogoti

Leslēgtai ierīcei nepieskarieties.

Ierīces uzgaļiem ir asas malas un lietošanas laikā tas var sakarst. BRĪDINĀJUMS! Sagriešanās un apdedzināšanās risks

- strādājot ar ierīci
- noliekot iekārtu

Strādājot ar ierīci, valkājiet aizsargcimdus.

Skaidas un atlūzas nedrīkst ņemt ārā, kamēr mašina darbojas.

Pirms jebkādiem darbiem, kas attiecas uz mašīnas apkopi, mašīnu noteikti vajag atvienot no kontaktligzdas.

GRIEŠANAS OPERĀCIJA

Aukstā iedarbināšana

Ja šis instruments tiek ilgstoši uzglabāts vai uzglabāts aukstā temperatūrā, tas sākotnēji var nedarboties, jo eļļa ir kļuvusi stīgra. Instrumenta uzsilšana

1. Ievietojiet instrumentā uzgali vai kaltu un fiksējiet.
2. Nospiediet sprūdu un uz dažām sekundēm ar spēku spiediet uzgali vai kaltu pret betonu vai koka virsmu. Atlaižiet sprūdu.
3. Atkārtojiet šo darbību, kamēr instruments sāk kaļšanas darbību. Jo aukstāks ir instruments, jo ilgāks laiks būs nepieciešams tā uzsilšanai.

NOTEIKUMIEM ATBILSTOŠS IZMANTOJUMS

Āmurs ir izmantojams akmens un betona skaldīšanai.

TĪKLA PIESLĒGUMS

Kontaktligzdām, kas atrodas ārpus telpām jābūt aprīkotām ar automātiskiem drošinātājslēdzīem, kas nostrādā, ja strāvas plūsmā radušies (FI, RCD, PRCD) bojājumi. To pieprasa jūsu elektroiekārtas instalācijas noteikumi. Lūdzu, to ņemt vērā, izmantojot mūsu instrumentus.

Pieslēgt tikai vienkāršu maiņstrāvas tīklam un tikai spriegumam, kas norādīts uz jaudas paneļa. Pieslēgums iespējams arī kontaktligzdām bez aizsargkontaktiem, jo runa ir par uzbūvi, kas atbilst II. aizsargklasei.

Mašīnu pievienot kontaktligzdai tikai izslēgtā stāvoklī.

APKOPE

Vajag vienmēr uzmanīt, lai būtu tīras dzesēšanas atveres.

Ja ir bojāts tīkla pieslēguma vads, tad tā apmaiņa jānodrošina klientu apkalpošanas servisam, kuram ir nepieciešamie speciālie darba rīki.

Izmantojiet tikai firmu Milwaukee piederumus un firmas Milwaukee rezerves daļas. Lieciet nomainīt detaļas, kuru nomaīna nav aprakstīta, kādā no firmu Milwaukee klientu apkalpošanas servisiem. (Skat. brošūru "Garantija/klientu apkalpošanas serviss".)

Ja nepieciešams, klientu apkalpošanas servisā vai tieši pie firmas Techtronic Industries GmbH, Max-Eyth-Straße 10, 71364 Winnenden, Germany, var pieprasīt instrumenta numurs, kas norādīts uz jaudas paneļa.

SIMBOLI



Pirms sākt lietot instrumentu, lūdz, izlasiet lietošanas pamācību.



UZMANĪBU! BĪSTAMI!



Pirms jebkādiem darbiem, kas attiecas uz mašīnas apkopi, mašīnu noteikti vajag atvienot no kontaktligzdas.



Strādājot ar mašīnu, vienmēr jānēsā aizsargbrilles.



Nēsājiet ausu aizsargus.



Jānēsā piemērota maska, kas pasargā no putekļiem.



Jāvalkā aizsargcimdus!



Piederumi - standartaprīkojumā neietvertas.



Neutilizējiet elektrisko un elektronisko iekārtu atkritumus kā nešķīrotus sadzīves atkritumus. Elektrisko un elektronisko iekārtu atkritumi ir jāsavāc atsevišķi. Gaismas avotu atkritumi ir jānoņem no iekārtas. Sazinieties ar vietējo iestādi vai mazumtirgotāju, lai iegūtu padomus par atsevišķo pārstrādi un savākšanas punktu. Atkarībā no vietējiem noteikumiem, mazumtirgotājiem var būt pienākums bez maksas pieņemt atpakal elektriskās, elektroniskās vai vecās iekārtas. Jūsu ieguldījums elektrisko un elektronisko iekārtu atkritumu atkārtotā izmantošanā un atsevišķā pārstrādē palīdz samazināt pieprasījumu pēc izejvielām. Elektrisko un elektronisko iekārtu atkritumos ir vērtīgi, otrreiz pārstrādājami materiāli, kas var negatīvi ietekmēt vidi un cilvēku veselību, ja tie netiek utilizēti videi draudzīgā veidā. No iekārtu atkritumiem izdzesiet personāla datus, ja tādi ir.



II aizsardzības klases elektroinstrumenti. Elektroinstrumenti, kuram aizsardzība pret elektrisko triecienu ir atkarīga ne tikai no pamata izolācijas, bet arī no tā, ka tiek piemēroti papildu aizsardzības pasākumi, piemēram, dubultā izolācija vai pastiprināta izolācija. Aizsarga pieslēgšanai instrumenti nav paredzēti.



Tukšgaitas apgriezīgu skaitu



Voltāža

Mainstrāva



Eiropas atbilstības zīme



Lielbritānijas atbilstības zīme



Ukrainas atbilstības zīme



Eirāzijas atbilstības zīme

ATBILSTĪBA CE NORMĀM

Mēs ar pilnu atbildību paziņojam, ka izstrādājums, kas raksturots sadaļā „Tehniskie dati”, atbilst visām attiecīgajām prasībām direktīvās
2011/65/ES (RoHS)
2006/42/EK
2014/30/ES

un ir piemēroti šādi saskaņotie standarti ir izmantoti

EN 62841-1+A11:2022
EN 62841-2-6:2020 +A11:2020
EN IEC 55014-1:2021
EN IEC 55014-2:2021
EN IEC 61000-3-2:2019+A1:2021
EN 61000-3-3:2013+A1:2019+A2:2021
EN IEC 63000:2018

Vērtības pie lietotāja auss mērītas saskaņā ar direktīvu 2000/14/EK. Atbilstības novērtēšanas procedūra veikta saskaņā ar VI pielikumu.

EU Pilnvarotā iestāde:

DEKRA Testing and Certification GmbH,
Handwerkstraße 15, 70565 Stuttgart

Location Certification Body, Dinnendahlstr. 9, 44809 Bochum,
Germany

Pilnvarotā iestāde. numuru: 0158

Izmērītais trokšņa jaudas līmenis: 97,6 dB (A)

Garantētais trokšņa jaudas līmenis: 100,0 dB (A)



Winnenden, 2023-01-20

Alexander Krug / Managing Director
Pilnvarotais tehniskās dokumentācijas sastādītājs.

Techtronic Industries GmbH
Max-Eyth-Straße 10, 71364 Winnenden, Germany

Latviski

TECHNINIAI DUOMENYS Kopojimo plaktukas	K 500 ST 220-240 V	K 500 ST 110-120 V
Produkto numeris	4431 81 07... 4439 21 07... ... 000001-999999	4433 46 07... ... 000001-999999
Vardinė imamoji galia	1100 W	1100 W
Išėjimo galia	550 W	550 W
Smūgių skaičius su apkrova maks.	3000 min ⁻¹	3000 min ⁻¹
Smūgio energija pagal „EPTA-Procedure 05/2009“	7,5 J	7,5 J
Įvertinimo šviesos ø	66 mm	66 mm
Prietaiso svoris įvertintas pagal EPTA 01/2014 tyrimų metodiką	5,9 kg	5,9 kg
Informacija apie keliamą triukšmą Vertės matuotos pagal EN 62841. Įvertintas A įrenginio keliamo triukšmo lygis dažniausiai sudaro:		
Garso slėgio lygis (Paklaida K=3dB(A))	97,0 dB (A)	94,0 dB (A)
Garso galios lygis (Paklaida K=3dB(A))	105,0 dB (A)	102,0 dB (A)
Nešioti klausos apsaugines priemones!		
Informacija apie vibraciją Bendroji svyravimų reikšmė (trijų krypčių vektorių suma), nustatyta remiantis EN 62841.		
Atskėlimas:		
Vibravimų emisijos reikšmė a _{n, Cheq}	12,8 m/s ²	11,3 m/s ²
Paklaida K=	1,5 m/s ²	1,5 m/s ²

DĖMESIO!

Šiame vadove nurodytos bendrosios vibracijos ir triukšmo emisijos vertės nustatytos pagal standartinius bandymo metodus pagal EN 62841, todėl gali būti taikomos lyginant vieną įrankį su kitu. Gali būti naudojama preliminariame poveikio įvertinime.

Nurodytos bendrosios vibracijos ir triukšmo emisijos vertės atitinka įrankio taikymą. Jei įrankis naudojamas kitokiais tikslais, kartu su kitokiais priedais ar netinkamai prižiūrimas, bendrosios vibracijos ir triukšmo emisijos vertės gali skirtis. Tai gali žymiai padidinti poveikio lygį viso darbo metu.

Apskaičiuojant bendrosios vibracijos ir triukšmo emisijos vertes reikėtų atsižvelgti į laikotarpį, kai prietaisas yra išjungtas arba įjungtas, bet nėra naudojamas. Tai gali žymiai sumažinti poveikio lygį viso darbo metu.

Tam, kad naudotojas būtų apsaugotas nuo vibracijos ir (arba) triukšmo poveikio, reikia nustatyti papildomus saugos reikalavimus, pavyzdžiui: tinkamai prižiūrėti prietaisą ir jo priedus, laikyti rankas šiltais, organizuoti darbo modelius.



DĖMESIO Perskaitykite visas saugos nuorodas, instrukcijas, iliustracijas ir duomenis, kuriuos gaunate su prietaisu. Jei nepaisysite žemiau pateiktų saugos nuorodų ir reikalavimų, gali trenkti elektros smūgis, kilti gaisras ir/arba galite sunkiai susižaloti arba sužaloti kitus asmenis.
Išsaugokite šias saugos nuorodas ir reikalavimus, kad ir ateityje galėtumėte jais pasinaudoti.

SAUGOS INSTRUKCIJOS PERFORATORIAI

Bendrosios visų darbų saugos instrukcijos
Nešiokite klausos apsaugos priemones. Dėl didelio triukšmo poveikio gali būti pažeidžiama klausia.

Naudokite į prietaiso komplektaciją įeinančias papildomas rankenas. Nesuvaldžius prietaiso galima susižeisti.

Jei yra tikimybė, jog dirbant įrankis gali kliudyti paslėpta laida, prietaisą laikykite tik už izoliuotų rankenų. Pjovimo įrenginio kontaktas su įtampos laidais gali įelektrinti metalines prietaiso dalis, o tai gali sukelti elektros iškravą.

Plaktukinių gręžtuvų naudojimo su ilgais grąžtais saugos nurodymai

Visada pradėkite darbą mažesnėmis apskomis, antgalio galiukas turi liestis prie ruošinio. Jei dirbant didesnėmis apskomis antgalis

laisvai suksis nesiliesdamas prie ruošinio, jis gali sulinkti, todėl galite susižaloti.

Spauskite tik tiesia linija palei antgalį, stenkitės nespausiti pernelyg stipriai. Antgaliai gali sulinkti ir lūžti, todėl galima prarasti įrankio kontrolę ir susižaloti.

Kiti saugumo ir darbo nurodymai

Visada dirbkite su asmens apsaugos priemonėmis ir apsauginiais akiniais. Naudojant asmens apsaugos priemones, pvz., respiratorius ar apsauginę kaukę, neslystančius batus, apsauginį šalną, klausos apsaugos priemones ir kt., rekomenduojamas atitinkamai pagal naudojamą elektrinį įrankį, sumažėja rizika susižeisti.

Darbo metu kylančios dulksės dažnai kenkia sveikatai, todėl turėtų nepatekti į organizmą. Naudokite dulkių nusiurbimą, papildomai nešiokite tinkamą apsaugos nuo dulkių kaukę. Kruopščiai pašalinkite, pvz. nusiurbkite, nusėdusias dulkes.

Negalima apdirbti medžiagų, dėl kurių gali būti sveikatos pažeidimai (pvz., asbesto).

Dirbdami sienoje, lubose arba grindyse, atkreipkite dėmesį į elektros laidus, dujų ir vandens vamzdžius.

Ruošinių užfiksuokite įtempimo įrenginiu. Neužfiksuoti ruošiniai gali sunkiai sužaloti ir būti pažeidimų priežastimi.

Lietuviškai



Lat



Liet

Maitinimo kabelis turi nebūti įrenginio poveikio srityje. Kabelį visada nuveskite iš galinės įrenginio pusės.

Blokuojant įstatomąjį įrankį būtina išjungti prietaisą! Neįjunkite prietaiso, kol įstatomas įrankis yra užblokuotas; galimas grįžtamasis smūgis su dideliu sukimo momentu. Atsižvelgdami į saugumo nurodymus, nustatykite ir pašalinkite įstatomojo įrankio blokavimo priežastį.

Galimos to priežastys:

- Susidariusios apdirbamo ruošinio briaunos
- Apdirbamos medžiagos lūžimas
- Elektros įrankio perkrova

Neišikite rankų į veikiančią mašiną.

Darbinis įrankis yra aštriabriaunis ir naudojimo metu gali įkaišti.

ĮSPĖJIMAS! Pavojus įsijauti ir nudegti:

- dirbant su darbinio įrankiu,
 - padedant prietaisą
- Dirbdami su darbinio įrankiu, mėvėkite apsaugines pirštines. Draudžiama išiminti drožles ar nuopjovas, įrenginiui veikiant. Prieš atlikdami bet kokius įrenginyje, ištraukite iš lizdo kištuką.

NAUDOJIMAS

Šaltas paleidimas

Jei įrenginys nebus naudojamas ilgesnį laiką arba laikomas žemoje temperatūroje, gali užtrukti jo įjungimas, nes sutepimo tepalas sustingsta esant žemai aplinkos temperatūrai.

Sušildyti įrenginį

1. Įdėkite ir užfiksukite arba kirkite į paviršių.
2. Patraukite už įjungimo / išjungimo mygtuko ir kelias sekundes naudodami jėgą pridėkite kirtiklį prie betono ar medienos paviršiaus. Paleiskite išjungimo / įjungimo mygtuką.
3. Kartokite tol, kol įrenginys pradės skleistis kalimo garsus. Kuo šaltesnis įrenginys, tuo ilgiau užtruks jį sušildyti.

NAUDOJIMAS PAGAL PASKIRTĮ

Atskėlimo plaktuką galima naudoti uolienų ir betono atskėlimui.

ELEKTROS TINKLO JUNGTIŠ

Lauke esantys el. lizdai turi būti su gedimo saugos išjungikliais. Tai nurodyta Jūsų elektros įrenginio instaliacijos taisyklėse (FI, RCD, PRCD). Atsižvelkite į tai, naudodami prietaisą.

Jungti tik prie vienfazės kintamos elektros srovės ir tik į specifikacijų lentelėje nurodytos įtampos elektros tinklą. Konstrukcijos saugos klasė II, todėl galima jungti ir į lizdus be apsauginio kontakto.

Kištuką į lizdą įstatykite, tik kai įrenginys išjungtas.

TECHNINIS APTARNAVIMAS

Įrenginio vėdinimo angos visada turi būti švarios.

Jeigu pažeistas elektros laidas, pakeiskite jį remonto dirbtuvėje, nes tam reikia specialaus prietaiso.

Naudokite tik „Milwaukee“ priedus ir „Milwaukee“ atsargines dalis. Dalis, kurių keitimas neaprašytas, leidžiama keisti tik „Milwaukee“ klientų aptarnavimo skyriams (žr. garantiją/klientų aptarnavimo skyrių adresus brošiūroje).

Jei reikia, nurodant įrenginio tipą bei specifikacijų lentelėje esantį numerį, iš klientų aptarnavimo skyriaus arba tiesiai iš Techtronic Industries GmbH, Max-Eyth-Straße 10, 71364 Winnenden, Germany, galima užsisakyti prietaiso surinkimo brėžinius.

SIMBOLIAI



Prieš pradėdami dirbti su prietaisu, atidžiai perskaitykite jo naudojimo instrukciją.



DĖMESIO! ĮSPĖJIMAS! PAVOJUS!



Prieš atlikdami bet kokius įrenginyje, ištraukite iš lizdo kištuką.



Dirbdami su įrenginiu visada nešiokite apsauginius akinius.



Nešiokite klausos apsaugos priemones.



Dėvėti tinkamą apsauginę kaukę nuo dulkių.



Lietojiet aizsardzības cimdus!



Priedas – neįeina į tiekimo komplektaciją.



Neišmeskite elektros ir elektroninės įrangos atliekų kaip nerūšiuotų komunalinių atliekų. Elektros ir elektroninės įrangos atliekos turi būti surenkamos atskirai. Lengvos atliekos turi būti pašalinamos iš įrangos. Patarimų dėl perdirbimo ir surinkimo vietos kreipkitės į vietinę instituciją arba pardavėją. Priklausomai nuo vietos teisės aktų, mažmenininkai gali būti įpareigoti nemokamai priimti atgal seną elektros ir elektronikos įrangą. Jūsų indėlis į pakartotinį elektros ir elektroninės įrangos atliekų naudojimą ir perdirbimą padeda sumažinti žaliavų poreikį. Elektros ir elektroninės įrangos atliekose yra vertingų, perdirbamų medžiagų, kurios gali neigiamai paveikti aplinką ir žmonių sveikatą, jei jos nebus šalinamos aplinką tausojančiu būdu. Ištrinkite personalo duomenis iš įrangos atliekų, jei tokių yra.



II apsaugos klasės elektrinis įrankis. Šio elektrinio įrankio apsauga nuo elektros smūgio priklauso ne tik nuo pagrindinės izoliacijos, bet ir nuo to, kaip naudojamos papildomos apsauginės priemonės, tokios kaip dviguba arba pagerinta izoliacija. Nėra jokio prietaiso apsauginio laido pajungimui.



Sūkių skaičius laisva eiga



Įtampa



Kintamoji srovė



Europos atitikties ženklas



Britanijos atitikties ženklas



Ukrainos atitikties ženklas



Eurazijos atitikties ženklas

CE ATITIKTIES PAREIŠKIMAS

Prisiimdami visą atsakomybę pareiškiam, kad gaminys, aprašytas „Techniniuose duomenyse“, atitinka taikomus reikalavimus, išdėstytus direktyvose

2011/65/ES (RoHS)

2006/42/EB

2014/30/ES

ir buvo taikyti šie darnieji standartai buvo naudotas

EN 62841-1+A11:2022

EN 62841-2-6:2020 +A11:2020

EN IEC 55014-1:2021

EN IEC 55014-2:2021

EN IEC 61000-3-2:2019+A1:2021

EN 61000-3-3:2013+A1:2019+A2:2021

EN IEC 63000:2018

Matavimo reikšmės nustatytos pagal 2000/14/EB, pagal vartotojo klausą. Atitikties vertinimas pagal VI priedą.

EU Nurodyta vieta:

DEKRA Testing and Certification GmbH,

Handwerkstraße 15, 70565 Stuttgart

Location Certification Body, Dinnendahlstr. 9, 44809 Bochum,

Germany

Nurodyta vieta numerį: 0158

Išmatuotas garso galios lygis: 97,6 dB (A)

Garantuojamas garso galios lygis: 100,0 dB (A)



Winnenden, 2023-01-20

Alexander Krug / Managing Director
Įgaliotas parengti techninius dokumentus.

Techtronic Industries GmbH

Max-Eyth-Straße 10, 71364 Winnenden, Germany

Lietuviškai

Lietuviškai

TEHNILISED ANDMED Teravhaamer	K 500 ST 220-240 V	K 500 ST 110-120 V
Tootmisnumber	4431 81 07... 4439 21 07... ... 000001-999999	4433 46 07... ... 000001-999999
Nimitarbimine	1100 W	1100 W
Väljundvoimsus	550 W	550 W
Löökide arv koormusega max	3000 min ⁻¹	3000 min ⁻¹
Löögitugevus EPTA-Procedure 05/2009 kohaselt	7,5 J	7,5 J
Kinnituskaela ø	66 mm	66 mm
Kaal vastavalt EPTA-protseduurile 01/2014	5,9 kg	5,9 kg
Müra andmed Mõõteväärtused on kindlaks tehtud vastavalt normile EN 62841. Seadme tüüpiline hinnanguline (müratase):		
Helirõhutase (Määramatus K=3dB(A))	97,0 dB (A)	94,0 dB (A)
Helivõimsuse tase (Määramatus K=3dB(A))	105,0 dB (A)	102,0 dB (A)
Kandke kaitseks kõrvaklappe!		
Vibratsiooni andmed Vibratsiooni koguväärtus (kolme suuna vektorsummõõdetud EN 62841 järgi).		
Meiseldamine:		
Vibratsiooni emissiooni väärtus a _{h, Cheq}	12,8 m/s ²	11,3 m/s ²
Määramatus K=	1,5 m/s ²	1,5 m/s ²

TÄHELEPANU!

Sellel teabelehel toodud vibratsiooni- ja müraemissioon on mõõdetud standardis EN 62841 kirjeldatud standardit testiga ning seda võib kasutada tööriistade omavaheliseks võrdlemiseks. Testi võib kasutada kokkupuute esialgseks hindamiseks.

Deklareeritud vibratsiooni- ja müratase puudutab tööriista põhikasutust. Kui tööriista kasutatakse muuks otstarbeks, teistsuguste tarvikutega või tööriista hooldatakse halvasti, võivad vibratsioon ja müraemissioon erineda. See võib kokkupuutetaset kogu tööajal oluliselt suurendada.

Vibratsiooni ja müraga kokkupuute hinnangulise taseme juures tuleb arvesse võtta ka aega, kui tööriist on välja lülitatud või töötab, kuid sellega ei tehta tööd. See võib kokkupuutetaset kogu tööaja kohta oluliselt vähendada.

Tehke kindlaks täiendavad ohutusmeetmed operaatori kaitsmiseks vibratsiooni ja/või müra eest, näiteks: hooldage tööriista ja tarvikuid, hoidke käed soojas, vaadake üle töökorraldus.

TÄHELEPANU Lugege kõik seadmega kaasas olevad ohutusjuhised, juhendid, joonised ja andmed läbi. Ohutusnõuete ja juhiste eiramise tagajärjeks võib olla elektrilöökk, tulekahju ja/või rasked vigastused. Hoidke kõik ohutusnõuded ja juhised edasiseks kasutamiseks hoolikalt alles.

OHUTUSJUHISED PUURVASAR

Ohutusjuhised kõigile töödele

Kandke kaitseks kõrvaklappe. Müra toime võib põhjustada kuulmiskahju.

Kasutage seadmega koos tarnitud lisakäepidemedid.

Kontrolli kaotamine võib põhjustada vigastusi.

Kui esineb oht, et seade võib tabada varjatud elektrijuhtmeid või omaenda toitejuhet, tohib seadet hoida üksnes isoleeritud käepidemetest. Kokkupuude pingestatud juhtmega võib pingestada ka lõikeseadme metallist osad ning põhjustada elektrilöögi.

Ohutusjuhised pikkade puuridega puurvarasate kasutamise kohta Alustage puurimist alati madalal kiirusel ja puuritera otsaga vastu töödetaali. Kõrgematel kiirustel võib puuritera seda ilma töödetaali

puudutamata vabalt pöörlema lastes tõenäoliselt painduda, põhjustades kehavigastusi.

Rakendage survet ainult otse puuritera suunal ja vältige liigse surve rakendamist. Puuriterad võivad painduda, põhjustades murdumist või kontrolli kaotamist, mille tulemuseks võib olla kehavigastus.

Edasised ohutus- ja tööjuhised

Kandke isikukaitsevahendeid ja alati kaitseprille. Isikukaitsevahendite, näiteks tolmumaski, libisemiskindlate turvajalatsite, kaitsekiivri või kuulmiskaitsevahendite kandmine – sõltuvalt elektrilise tööriista tüübist ja kasutusala – vähendab vigastuste ohtu.

Töötamisel tekkiv tolm on sageli tervistkahjustav ning ei tohiks organismi sattuda. Kasutage tolmuaäramist ning kandke täiendavalt sobivat tolmukaitsemaski. Kogunenud tolm eemaldage põhjalikult, nt imemisega.

Töödelda ei tohi materjale, millest lähtub oht tervisele (nt asbest). Seina, lae või põranda tööde puhul pidage silmas elektrijuhtmeid, gaasi- ja veetorusid.

Kinnitage toorik kinnipingutusseadisega. Kinnitamata toorikud võivad raskeid vigastusi ja kahjustusi põhjustada.

Hoidke ühendusjuhe alati masina tööpiirkonnast eemal. Vedage juhe alati masinast tahapoole.

Palun lülitage seade rakendustööriista blokeerumise korral kohe välja! Ärge lülitage seadet sisse tagasi, kuni rakendustööriist on blokeeritud; seejuures võib kõrge reaktsioonimomendiga tagasilöökk tekkida. Tehke ohutusjuhiseid arvesse võttes kindlaks ja kõrvaldage rakendustööriista blokeerumise põhjused.

Automaatse seiskumise võimalikud põhjused:

- viltu asetumine töödeldavas toorikus
- Töödeldava materjali läbiuurimine
- elektritööriista ülekoormamine

Ärge sisestage jäsemeid töötavasse masinasse.

Kasutatav tööriist on teravate servadega ja võib kasutamise ajal muutuda kuumaks.

HOIATUS! Lõike- ja põletusohu

- kasutatavate tööriistade käsitsemisel

- seadme ärapanemisel

Kandke kasutatavate tööriistade käsitsemise ajal kaitsekindaid.

Puru ega pilpaid ei tohi eemaldada masina töötamise ajal.

Enne kõiki töid masina kallal tõmmake pistik pistikupesast välja.

KASUTAMINE

Külmalt käivitamine

Kui tööriista ladustatakse pikka aega või külmadel temperatuuridel, võib see esialgu mitte liikuda, sest määre on muutunud kõvaks.

Tööriista soojendamine

- Sisestage ja lukustage tööriista sisse puuriotsik või peitel.
- Vajutage käivituslülitit ja vajutage puuriotsik või peitel mõneks sekundiks vastu betoon- või puitpinda. Vabastage käivituslülitit.
- Korrake, kuni tööriist hakkab tööle. Mida külmem on tööriist, seda kauem see soojeneb.

KASUTAMINE VASTAVALT OTSTARBELE

Vasarat saab rakendada kivimite ja betooni meiseldamiseks.

VÖRKU ÜHENDAMINE

Välitingimustes asuvad pistikupesad peavad olema varustatud rikevoolukaitselülititega (FI, RCD, PRCD). Seda nõutakse Teie elektriseadme installierimiseeskirjas. Palun pidage sellest meie seadme kasutamisel kinni.

Ühendage ainult ühefaasilise vahelduvvooluga ning ainult andmesildil toodud võrgupingega. Ühendada on võimalik ka kaitsekontaktita pistikupesadesse, kuna nende konstruktsioon vastab kaitseklassile II.

Masin peab pistikupesasse ühendamisel olema alati väljalülitatud seisundis.

HOOLDUS

Hoidke masina ohutuspilud alati puhtad.

Kui võrguühenduskaabel on kahjustatud, tuleb see spetsiaalsete tööriistade kasutamisega tõttu lasta välja vahetada klientideeninduses, Text hier anhängen.

Kasutage ainult Milwaukee tarvikuid ja Milwaukee tagavaraosi. Detailid, mille väljavahetamist pole kirjeldatud, laske välja vahetada Milwaukee klientideeninduspunkti (vaadake brošüüri garantii / klientideeninduste aadressid).

Vajaduse korral võite tellida seadme läbilõikejoonise, näidates ära masina tüübi ja andmesildil oleva numbrilise. Selleks pöörduge klientideeninduspunkti või otse: Techtronic Industries GmbH, Max-Eyth-Straße 10, 71364 Winnenden, Germany.

SÜMBOLID



Palun lugege enne käikluskmist kasutamishandbooki läbi.



ETTEVAATUST! TÄHELEPANU! OHUD!



Enne kõiki töid masina kallal tõmmake pistik pistikupesast välja.



Masinaga töötades kandke alati kaitseprille.



Kandke kaitseks kõrvaklappe.



Kanda sobivat kaitsemaski.



Kanda kaitsekindaid!



Tarvikud - ei kuulu tarne komplekti.



Ärge kõrvaldage elektri- ja elektroonikaseadmete jäätmeid sorteerimata olmejäätmetena. Elektri- ja elektroonikaseadmete jäätmed tuleb koguda eraldi. Valgusallikate jäätmed tuleb seadmetest eemaldada. Küsige oma kohalikust omavalitsusest või jaemüüjalit nõuandeid ringlussevõtu ja kogumispunkti kohta. Olenevalt kohalikest määrustest võib jaemüüjal lasuda kohustus võtta elektri- ja elektroonikaseadmeid vastu tasuta. Teie panus elektri- ja elektroonikaseadmete jäätmete korduskasutusse ja ringlussevõtu aitab vähendada nõudlust toorainete järele. Elektri- ja elektroonikaseadmete jäätmed sisaldavad väärtuslikke taaskasutatavaid materjale, mis võivad kahjustada keskkonda ja inimeste tervist, kui neid ei kõrvaldata keskkonnasõbralikul viisil. Kustutage kõrvaldatavatest seadmetest isiklikud andmed, kui neid seal on.



Kaitseklassi II elektritööriist. Elektritööriist, mille puhul ei sõltu kaitse mitte üksnes baasisolatsioonist, vaid ka täiendavate kaitsemeetmete nagu topeltisolatsiooni või tugevdatud isolatsiooni kohaldamisest. Mehhanism kaitsejuhi ühendamiseks puudub.



Pöörlemiskiirus tühijooksul



Voltaaz



Vahelduvvool



Euroopa vastavusmärk



Ühendkuningriigi vastavusmärk



Ukraina vastavusmärk



Euraasia vastavusmärk

EÜ VASTAVUSAVALDUS

Kinnitame oma ainuvastutusel, et „Tehniliste andmete“ all kirjeldatud toode vastab direktiivide kõigile asjakohastele sätetele 2011/65/EU (RoHS)
2006/42/EÜ
2014/30/EÜ

ning täidetud on järgmiste ühtlustatud standardite nõuded

EN 62841-1+A11:2022
EN 62841-2-6:2020 +A11:2020
EN IEC 55014-1:2021
EN IEC 55014-2:2021
EN IEC 61000-3-2:2019+A1:2021
EN 61000-3-3:2013+A1:2019+A2:2021
EN IEC 63000:2018

Mõõteväärtused määrati 2000/14/EÜ järgi kindlaks kasutaja kõrva juures. Vastavuse hindamismeetod lisa VI järgi.

EU Nimetatud asutus:
DEKRA Testing and Certification GmbH,
Handwerkstraße 15, 70565 Stuttgart

Location Certification Body, Dinnendahlstr. 9, 44809 Bochum,
Germany

Nimetatud asutus number: 0158

Mõõdetud müravõimsuse tase: 97,6 dB (A)

Garanteeritud müravõimsuse tase: 100,0 dB (A)

CE Winnenden, 2023-01-20

Alexander Krug / Managing Director
On volitatud koostama tehnilisi dokumentatsiooni.
Techtronic Industries GmbH
Max-Eyth-Straße 10, 71364 Winnenden, Germany

Eesti

ТЕХНИЧЕСКИЕ ДАННЫЕ Отбойный молоток	K 500 ST 220-240 V	K 500 ST 110-120 V
Серийный номер изделия	4431 81 07... 4439 21 07... ... 000001-999999	4433 46 07... ... 000001-999999
Номинальная потребляемая мощность	1100 W	1100 W
Номинальная мощность.	550 W	550 W
Количество ударов при нагрузке макс.	3000 min ⁻¹	3000 min ⁻¹
Сила одиночного удара в соответствии с EPTA Procedure 05/2009	7,5 J	7,5 J
Диаметр шейки патрона	66 mm	66 mm
Вес согласно процедуре EPTA 01/2014	5,9 kg	5,9 kg
Информация по шумам Значения замерялись в соответствии со стандартом EN 62841. Уровень шума прибора, определенный по показателю A, обычно составляет:		
Уровень звукового давления (Небезопасность K=3dB(A)) Уровень звуковой мощности (Небезопасность K=3dB(A))	97,0 dB (A) 105,0 dB (A)	94,0 dB (A) 102,0 dB (A)
Пользуйтесь приспособлениями для защиты слуха.		
Информация по вибрации Общие значения вибрации (векторная сумма трех направлений) определены в соответствии с EN 62841.		
Вырубка: Значение вибрационной эмиссии a _{h,cheq} Небезопасность K=	12,8 m/s ² 1,5 m/s ²	11,3 m/s ² 1,5 m/s ²

ВНИМАНИЕ!

Заявленные значения вибрации и шумового излучения, указанные в настоящем информационном листе, были измерены согласно стандартизованному методу испытания согласно EN 62841 и могут использоваться для сравнения одного инструмента с другим. Они могут применяться для предварительной оценки воздействия на организм человека.

Указанные значения вибрации и шумового излучения действительны для основных областей применения инструмента. Однако если инструмент используется в других областях применения или с другими принадлежностями либо проходит ненадлежащее обслуживание, значения вибрации и шумового излучения могут отличаться. Это может существенно увеличить уровень воздействия на организм на протяжении общего периода работы.

При оценке уровня воздействия вибрации и шумового излучения на организм также необходимо учитывать периоды, когда инструмент выключен, или когда он работает, но фактически не используется для выполнения работы. Это может существенно сократить уровень воздействия на организм на протяжении общего периода работы.

Определите дополнительные меры для защиты оператора от воздействия вибрации и/или шума, такие как обслуживание инструмента и его принадлежностей, сохранение рук в тепле, организация графиков работы.

ВНИМАНИЕ Ознакомьтесь с правилами техники безопасности, техническими регламентами, изображениями и данными, прилагаемыми к устройству. Упущения, допущенные при не соблюдении указаний и инструкций по технике безопасности, могут стать причиной электрического поражения, пожара и тяжелых травм.
Сохраняйте эти инструкции и указания для будущего использования.

УКАЗАНИЯ ПО БЕЗОПАСНОСТИ ДЛЯ ПЕРФОРАТОРА

Инструкция по безопасной эксплуатации для всех видов операций

Используйте наушники! Воздействие шума может привести к потере слуха.

Используйте вспомогательные рукоятки, поставляемые вместе с инструментом. Потеря контроля может стать причиной травмы.

Держите электроинструмент только за изолированные поверхности рукояток, если Вы выполняете работы, при которых рабочий инструмент может попасть на скрытую электропроводку или на собственный шнур подключения питания. Контакт режущего инструмента с токоведущим проводом может ставить под напряжение металлические части прибора, а также приводить к удару электрическим током.

Указания по технике безопасности при использовании перфоратора с длинным буром

Всегда начинайте бурение на низкой скорости, предварительно обеспечив контакт инструмента с заготовкой. На высоких скоростях, когда коронка будет свободно вращаться без контакта с заготовкой, коронка может согнуться и вызвать травму.

Надавливайте на инструмент только в направлении коронки и не давите слишком сильно. Коронки могут сгибаться, что может вызвать поломку инструмента или потерю контроля над ним, а следовательно — причинить травму.

Русский

Дополнительные указания по безопасности и работе

б) Применяйте средства индивидуальной защиты и всегда защитные очки. Использование средств индивидуальной защиты, как то, защитной маски. Обуви на нескользящей подошве, защитного шлема или средств защиты органов слуха в зависимости от вида работы электроинструмента снижает риск получения травм.

Пыль, образующаяся при работе с данным инструментом, может быть вредна для здоровья и попасть на тело. Пользуйтесь системой пылеудаления и надевайте подходящую защитную маску. Тщательно убирайте скапливающуюся пыль (напр. пылесосом).

Запрещается обрабатывать материалы, которые могут нанести вред здоровью (напр., асбест).

При работе в стенах, потолках или полу следите за тем, чтобы не повредить электрические кабели или водопроводные трубы.

Зафиксируйте вашу заготовку с помощью зажимного приспособления. Незафиксированные заготовки могут привести к тяжелым травмам и повреждению.

Держите силовой провод вне рабочей зоны инструмента. Всегда прокладывайте кабель за спиной.

При блокировании используемого инструмента немедленно выключить прибор! Не включайте прибор до тех пор, пока используемый инструмент заблокирован, в противном случае может возникнуть отдача с высоким реактивным моментом. Определите и устраните причину блокирования используемого инструмента с учетом указаний по безопасности.

Возможными причинами остановки могут быть:

- перекося заготовки, подлежащей обработке
- разрушение материала, подлежащего обработке;
- перегрузка электроинструмента

Не прикасаться к работающему станку.

Вставной инструмент имеет острые края и может нагреваться во время применения.

ПРЕДУПРЕЖДЕНИЕ! Опасность порезов и ожогов

- при обращении с вставными инструментами
- при укладывании прибора

При работе со вставными инструментами надевайте защитные перчатки.

Не убирайте опилки и обломки при включенном инструменте. Перед выполнением каких-либо работ по обслуживанию инструмента всегда вынимайте вилку из розетки.

ЭКСПЛУАТАЦИЯ

Холодный запуск

Если этот инструмент хранится в течение длительного времени или при низких температурах, сначала он может плохо работать из-за затвердевания смазки.

Для прогрева инструмента

1. Вставьте в инструмент сверло или долото и зафиксируйте его.
2. Нажмите кнопку запуска и уприте долото или сверло в бетонную или деревянную поверхность на несколько секунд. Отпустите кнопку запуска.
3. Повторяйте до тех пор, пока инструмент не начнет совершать ударные движения. Чем холоднее инструмент, тем дольше он будет прогреваться.

ИСПОЛЬЗОВАНИЕ

Отбойный молоток может использоваться для долбления в камне и бетона

ПОДКЛЮЧЕНИЕ К ЭЛЕКТРОСЕТИ

Электроприборы, используемые во многих различных местах, в том числе на открытом воздухе, должны подключаться через устройство, предотвращающее резкое повышение напряжения (FI, RCD, PRCD).

Подсоединять только к однофазной сети переменного тока с напряжением, соответствующим указанному на инструменте. Электроинструмент имеет второй класс защиты, что позволяет подключать его к розеткам электропитания без заземляющего вывода.

Вставляйте вилку в розетку только при выключенном инструменте.

ОБСЛУЖИВАНИЕ

Всегда держите охлаждающие отверстия чистыми.

При повреждении сетевого соединительного кабеля его замену производит служба технической поддержки клиентов, так как для этого требуется специальный инструмент.

Пользуйтесь аксессуарами и запасными частями Milwaukee. В случае возникновения необходимости в замене, которая не была описана, обращайтесь в один из сервисных центров по обслуживанию электроинструментов Milwaukee (см. список сервисных организаций).

При необходимости может быть заказан чертеж инструмента с трехмерным изображением деталей. Пожалуйста, укажите номер и тип инструмента и закажите чертеж у Ваших местных агентов или непосредственно у Techtronic Industries GmbH, Max-Eyth-Straße 10, 71364 Winnenden, Germany.

СИМВОЛЫ



Пожалуйста, внимательно прочтите инструкцию по использованию перед началом любых операций с инструментом.



ВНИМАНИЕ! ПРЕДУПРЕЖДЕНИЕ! ОПАСНОСТЬ!



Перед выполнением каких-либо работ по обслуживанию инструмента всегда вынимайте вилку из розетки.



При работе с инструментом всегда надевайте защитные очки.



Используйте наушники!



Надевайте противопылевую респиратор.



Надевать защитные перчатки!



Принадлежности - В стандартную комплектацию не входит.



Не выбрасывайте отработавшее электрическое и электронное оборудование вместе с бытовыми отходами. Отработавшее электрическое и электронное оборудование должно быть утилизировано отдельно. Отработавшие источники света необходимо предварительно извлечь из оборудования. За дополнительной информацией по утилизации и сбору обратитесь в местные муниципальные органы или в розничный магазин. Нормативные требования в некоторых регионах могут обязывать розничные магазины бесплатно утилизировать отработавшее электрическое и электронное оборудование. Ваш вклад в повторное использование и переработка старого электронного и электрического оборудования позволяет снизить потребность в сырьевых ресурсах. Отработавшее электронное и электрическое оборудование содержит ценные перерабатываемые материалы. Однако при ненадлежащей утилизации данные компоненты могут нанести вред окружающей среде и здоровью человека. Удалите конфиденциальную информацию с оборудования при ее наличии.



Электроинструмент с классом защиты II. Электроинструмент, в котором защита от электрического удара зависит не только от основной изоляции, но и от того, что принимаются дополнительные защитные меры, такие как двойная изоляция или усиленная изоляция. Нет устройства для подключения защитного провода.



Число оборотов без нагрузки



Напряжение



Европейский знак соответствия



Британский знак соответствия



Украинский знак соответствия



Евразийский знак соответствия

EÜ VASTAVUSAVALDUS

Kinnitame oma ainuvastutust, et „Tehniliste andmete“ all kirjeldatud toode vastab direktiivide kõigile asjakohastele sätetele 2011/65/EU (RoHS) 2006/42/EÜ 2014/30/EÜ ning täidetud on järgmist ühtlustatud standardite nõuded EN 62841-1+A11:2022 EN 62841-2-6:2020 +A1:2020 EN IEC 55014-1:2021 EN IEC 55014-2:2021 EN IEC 61000-3-2:2019+A1:2021 EN 61000-3-3:2013+A1:2019+A2:2021 EN IEC 63000:2018

Mõõtevääratud määraati 2000/14/EÜ järgi kindlaks kasutaja kõrva juures. Vastavuse hindamismeetod lisa VI järgi.

EU Nimetatud asutus: DEKRA Testing and Certification GmbH, Handwerkstraße 15, 70565 Stuttgart Location Certification Body, Dinnendahlstr. 9, 44809 Bochum, Germany Nimetatud asutus number: 0158

Möödetud müravõimsuse tase: 97,6 dB (A)

Garanteeritud müravõimsuse tase: 100,0 dB (A)



Winnenden, 2023-01-20

Alexander Krug / Managing Director
On volitatud koostama tehnilist dokumentatsiooni.
Techtronic Industries GmbH
Max-Eyth-Straße 10, 71364 Winnenden, Germany

ТЕХНИЧЕСКИ ДАННИ Къртач	K 500 ST 220-240 V	K 500 ST 110-120 V
Производствен номер	4431 81 07... 4439 21 07... ... 000001-999999	4433 46 07... ... 000001-999999
Номинална консумирана мощност	1100 W	1100 W
Отдавана мощност	550 W	550 W
Макс. брой на ударите при натоварване макс.	3000 min ⁻¹	3000 min ⁻¹
Енергия на единичен удар съгласно EPTA-Procedure 05/2009	7,5 J	7,5 J
Диаметър на отвора на патронника	66 mm	66 mm
Тегло съгласно процедурата EPTA 01/2014	5,9 kg	5,9 kg
Информация за шума Измерените стойности са получени съобразно EN 62841. Оцененото с А ниво на шума на уреда е съответно:		
Равнище на звуковото налягане (Несигурност K=3dB(A))	97,0 dB (A)	94,0 dB (A)
Равнище на мощността на звука (Несигурност K=3dB(A))	105,0 dB (A)	102,0 dB (A)
Да се носи предпазно средство за слуха!		
Информация за вибрациите Общите стойности на вибрациите (векторна сума на три посоки) са определени в съответствие с EN 62841.		
Дълбаене:		
Стойност на емисии на вибрациите a _{h, Cheq}	12,8 m/s ²	11,3 m/s ²
Несигурност K=	1,5 m/s ²	1,5 m/s ²

ВНИМАНИЕ!

Посочените в настоящия информационен лист нива на вибрации и шумови емисии са измерени в съответствие със стандартизирано изпитване, предоставено в EN 62841, и могат да се използват за сравняване на един инструмент с друг. Те може също така да се използват и за предварителна оценка на излагането на вредни въздействия.

Декларираните нива на вибрации и шумови емисии се отнасят за основните приложения на инструмента. Ако обаче инструментът се използва за други приложения, с други приспособления или не се поддържа добре, нивата на вибрации и шумови емисии могат да са различни. Това може значително да повиши нивото на излагане на вредни въздействия за общата продължителност на работата.

При оценка на нивото на излагане на въздействието на вибрации и шум следва също така да се вземе предвид времето, през което инструментът е изключен или през което е включен, но не се използва. Това може значително да понижи нивото на излагане на вредни въздействия за общата продължителност на работата.

Определете допълнителни мерки за безопасност за защита на оператора от въздействието на вибрациите и/или шума, като например поддръжка на инструмента и приспособленията, поддържането на топлината на ръцете и организацията на работата.

ВНИМАНИЕ Прочетете всички указания за безопасност, инструкции, изображения и техническите данни, които получавате с уреда. Пропуски при спазването на указанията и на инструкциите за безопасност могат да доведат до токов удар, пожар и/или тежки наранявания. **Запазете всички указания и инструкции за безопасност за бъдещето.**

ИНСТРУКЦИИ ЗА БЕЗОПАСНОСТ ПЕРФОРАТОР

Инструкции за безопасност при всички дейности

Носете средство за защита на слуха. Шумът може да доведе до загуба на слуха.

Използвайте доставените с уреда допълнителни ръкохватки. Загубата на контрол може да доведе до наранявания.

Дръжте уреда за изолираните ръкохватки, когато извършвате работи, при които режещият инструмент може да засегне скрити електроинсталационни кабели или собствения си кабел. Контактът на режещия инструмент

с тоководещ проводник може да предаде напрежението върху метални части на уреда и да доведе до токов удар.

Указания за безопасност при употреба на ударния перфоратор с дълги свредла

Винаги започвайте да пробивате на ниска скорост, като върхът на свредлото е в досег с работния детайл. При по-високи скорости е възможно свредлото да се изкриви, ако бъде оставено да се върти свободно, без да влиза в досег с работния детайл, а това може да доведе до нараняване.

Натискайте само успоредно на свредлото и не прилагайте твърде голям натиск. Възможно е свредлото да се изкриви, което да доведе до счупване или загуба на контрол, а това от своя страна да причини наранявания.

Допълнителни указания за работа и безопасност

б) Използвайте лични предпазни средства и винаги носете предпазни очила. Носенето на лични предпазни средства като дихателна маска, обезопасителни обувки със стабилен грайфер, защитна каска или средства за защита на слуха (антифони), намалява риска от травми.

При работа на открито или когато в машината могат да попаднат влага или прах, се препоръчва уредът да се свързва чрез защитен прекъсвач за утечен ток с максимално 30 mA ток на задействане.

Не е разрешена обработката на материали, които представляват опасност за здравето (напр. азбест).

При работа в стени, тавани или подове внимавайте за кабели, газопроводи и водопроводи.

Закрепете обработваната част с устройство за захващане. Незакрепени части за обработка могат да причинят сериозни наранявания и материални щети.

Свързващият кабел винаги да се държи извън работния обсер на машината. Кабелът да се отвежда от машината винаги назад.

Ако използваният инструмент блокира, изключете веднага уреда! Не включвайте уреда отново, докато използваният инструмент е блокиран; това би могло да доведе до откат с висока реактивна сила. Открийте и отстранете причината за блокирането на използвания инструмент имайки в предвид инструкциите за безопасност.

Възможна причина за това може да бъде:

- Заклинване в обработваната част
- Пречупване на обработвания материал
- Пренатоварване на електрическия инструмент

Не бъркайте в машината, докато тя работи.

Приставката е остра и може да се нагорещи по време на работа.

ПРЕДУПРЕЖДЕНИЕ! Опасност от порязване и изгаряне

- при боравене с приставките

- при оставяне на уреда

При боравенето с приставките носете предпазни ръкавици.

Стружки или отчупени парчета да не се отстраняват, докато машина работи.

Преди каквито и да е работи по машината извадете щепсела от контакта.

ОПЕРАЦИЯ

Студено стартиране

Ако инструментът не е бил ползван продължително време или е бил съхраняван на студено, е възможно първоначално да не успее да извърши забиване поради втвърдяване на смазката.

За да загреете инструмента

1. Поставете бургия или секач в инструмента и го заключете на позицията.

2. Дръпнете пусковия ключ и притиснете бургията/секача към бетонна или дървена повърхност в продължение на няколко секунди. Освободете пусковия ключ.

3. Повтаряйте, докато инструментът започне да забива. Колкото по-студен е инструментът, толкова повече време ще му е нужно, за да загрее.

ИЗПОЛЗВАНЕ ПО ПРЕДНАЗНАЧЕНИЕ

Чукът може да се използва за дълбаене в камък и бетон.

ЗАЩИТА НА ДВИГАТЕЛЯ В ЗАВИСИМОСТ ОТ НАТОВАРВАНЕТО

Контактите във външните участъци трябва да бъдат оборудвани със защитни прекъсвачи за утечен ток (FI, RCD, PRCD). Това изисква предписанието за инсталиране

за електрическа инсталация. Моля спазвайте това при използване на Вашата уред.

Да се свързва само към еднофазен променлив ток и само към мрежово напрежение, посочено върху заводската табелка. Възможно е и свързване към контакт, който не е от тип "шуко", понеже конструкцията е от защитен клас II.

Свързвайте машината към контакта само в изключено положение.

ПОДДРЪЖКА

Вентилационните шлицы на машината да се поддържат винаги чисти.

Ако кабелът на захранването е повреден, то занесете го за смяна в сервиз, тъй като за това са необходими специални инструменти.

Да се използват само аксесоари на Milwaukee и резервни части на Milwaukee. Елементи, чията подмяна не е описана, да се дадат за подмяна в сервиз на Milwaukee (вижте брошурата "Гарантия и адреси на сервиси").

При необходимост можете да поискате за уреда от Вашия сервиз или директно от Techtronic Industries GmbH, Max-Eyth-Strasse 10, 71364 Winnenden, Germany, чертеж за в случай на експлозия, като посочите типа на машината и номер върху заводската табелка.

СИМВОЛИ



Преди пускане на уреда в действие моля прочетете внимателно инструкцията за използване.



ВНИМАНИЕ! ПРЕДУПРЕЖДЕНИЕ! ОПАСНОСТ



Преди каквито и да е работи по машината извадете щепсела от контакта.



При работа с машината винаги носете предпазни очила.



Носете средство за защита на слуха.



Да се носи подходяща прахозащитна маска.



Да се носят предпазни ръкавици!



Аксесоари - Не се съдържат в обема на доставката.



Отпадъците от електрическо и електронно оборудване не трябва да се изхвърлят заедно с битовите отпадъци. Отпадъците от електрическо и електронно оборудване трябва да се събират и изхвърлят разделно. Преди изхвърлянето отстранявайте лампите от уредите. Информирайте се от местните служби или от своя специализиран търговец относно фирмите за рециклиране и местата за събиране на отпадъци. В зависимост от местните разпоредби, търговците на дребно могат са задължени да приемат безплатно върнатите обратно отпадъци от електрическо и електронно оборудване. Дайте своя принос за намаляването на нуждите от суровини чрез повторната употреба и рециклирането на Вашите отпадъци от електрическо и електронно оборудване. Отпадъците от електрическо и електронно оборудване съдържат ценни рециклиращи се материали, които могат да повлияят отрицателно на околната среда и на Вашето здраве, ако не се изхвърлят по екологосъобразен начин. Преди изхвърлянето като отпадък изтрийте от Вашия употребяван уред евентуално наличните в него лични данни.



Електроинструмент от защитен клас II. Електроинструмент, при който защитата от електрически удар зависи не само от основната изолация, а и от обстоятелството, че се използват допълнителни защитни мерки като двойна изолация или усилена изолация. Няма приспособление за присъединяване на защитен проводник.



Обороти на празен ход



Напрежение



Променив ток



Европейски знак за съответствие



Британски знак за съответствие



Украински знак за съответствие



Евро-азиатски знак за съответствие

ДЕКЛАРАЦИЯ О СООТВЕТСТВИИ СТАНДАРТАМ ЕС

Мы несем исключительную ответственность за то, что изделие, описанное в разделе «Техническая информация» соответствует всем применимым положениям директив 2011/65/EU (RoHS) 2006/42/EC 2014/30/EU а также следующим согласованным стандартам был использован

EN 62841-1+A11:2022
EN 62841-2-6:2020 +A11:2020
EN IEC 55014-1:2021
EN IEC 55014-2:2021
EN IEC 61000-3-2:2019+A1:2021
EN 61000-3-3:2013+A1:2019+A2:2021
EN IEC 63000:2018

Значения измерений рассчитаны в соответствии со стандартом 2000/14/EG у уха пользователя. Метод оценки соответствия стандарту в соответствии с Приложением VI.

EU Уполномоченный орган:
DEKRA Testing and Certification GmbH,
Handwerkstraße 15, 70565 Stuttgart
Location Certification Body, Dinnendahlstr. 9, 44809 Bochum,
Germany
Уполномоченный орган количество: 0158

Измеренный уровень звуковой мощности: 97,6 dB (A)

Гарантированный уровень звуковой мощности: 100,0 dB (A)



Winnenden, 2023-01-20

Alexander Krug

Alexander Krug / Managing Director
Уполномочен на составление технической документации.

Techtronic Industries GmbH
Max-Eyth-Straße 10, 71364 Winnenden, Germany

DATE TEHNICE Ciocan de spart	K 500 ST 220-240 V	K 500 ST 110-120 V
Număr producție	4431 81 07... 4439 21 07... ... 000001-999999	4433 46 07... ... 000001-999999
Putere nominală de ieșire	1100 W	1100 W
Putere de ieșire	550 W	550 W
Rata de percuție sub sarcină max.	3000 min ⁻¹	3000 min ⁻¹
Energia de percuție conform EPTA-Procedure 05/2009	7,5 J	7,5 J
Diametru găț mandrină	66 mm	66 mm
Greutatea conform „EPTA procedure 01/2014”	5,9 kg	5,9 kg
Informație privind zgomotul Valori măsurate determinate conform EN 62841. Nivelul de zgomot evaluat cu A al aparatului este tipic de:		
Nivelul presiunii sonore (Nesiguranță K=3dB(A))	97,0 dB (A)	94,0 dB (A)
Nivelul sunetului (Nesiguranță K=3dB(A))	105,0 dB (A)	102,0 dB (A)
Purtați căști de protecție		
Informații privind vibrațiile Valorile totale de oscilație (suma vectorială pe trei direcții determinate conform normei EN 62841.		
Dăltuire: Valoarea emisiei de oscilații a _{h,cheq} Nesiguranță K=	12,8 m/s ² 1,5 m/s ²	11,3 m/s ² 1,5 m/s ²

AVERTISMENT!

Nivelul vibrației și emisiei de zgomot indicat în această fișă informativă a fost măsurat în conformitate cu o metodă standard de testare specificată în EN 62841 și se poate utiliza pentru a compara dispozitivele între ele. Acesta se poate utiliza și într-o evaluare preliminară a expunerii.

Nivelul declarat al vibrației și emisiei sonore reprezintă principalele aplicații ale dispozitivului. Cu toate acestea, dacă dispozitivul este utilizat pentru aplicații diferite, cu accesorii diferite sau întreținute necorespunzător, emisia de vibrații și zgomote poate diferi. Acest lucru poate crește semnificativ nivelul expunerii pe întreaga perioadă de lucru.

O estimare a nivelului de expunere la vibrații și zgomot ar trebui să țină cont și de momentele în care dispozitivul este oprit sau când funcționează, dar nu realizează de fapt nicio lucrare. Acest lucru poate reduce semnificativ nivelul expunerii pe întreaga perioadă de lucru.

Identificați măsuri de siguranță suplimentare pentru a proteja operatorul de efectele vibrațiilor și/sau zgomotului, cum ar fi: întreținerea dispozitivului și a accesoriilor, menținerea caldă a mâinilor, organizarea modelelor de lucru.



AVERTISMENT Citiți toate instrucțiunile de securitate, recomandările, reprezentările grafice și datele pe care le primiți livrate împreună cu aparatul. Nerespectarea indicațiilor de avertizare și a instrucțiunilor poate provoca electrocutare, incendii și/sau răni grave.
Păstrați toate indicațiile de avertizare și instrucțiunile în vederea utilizărilor viitoare.

Indicații de siguranță pentru utilizarea ciocanului perforator cu burghie lungi

Începeți întotdeauna găurirea la viteză redusă și cu vârful bitului în contact cu piesa de prelucrat. La viteze mai mari, este posibil ca bitul să se indoiească dacă ajunge să se rotească liber, fără contactul cu piesa de prelucrat, ceea ce duce la vătămări corporale.

Aplicați presiune numai pe direct pe linia bitului, fără ca această presiune să fie excesivă. Biții se pot îndoi, provocând ruperea sau având drept rezultat pierderea controlului, ceea ce duce la vătămări corporale.



INSTRUCIUNI DE SIGURANTA PENTRU CIOCAN ROTOPERCUTOR

Instrucțiuni de siguranță pentru toate operațiile

Purtați aparatoare de urechi. Expunerea la zgomot poate duce la pierderea auzului.

Utilizați manerele auxiliare livrate cu scula. Pierderea controlului poate provoca rănirea persoanelor.

Apucați scula electrică numai de mânerile izolate atunci când executați lucrări la care dispozitivul de lucru poate nimeri conductori electrici ascunși sau propriul cablu de alimentare. Intrarea în contact a sculei tăietoare cu o linie electrică prin care circulă curent poate pune sub tensiune și componente metalice ale aparatului și să ducă la electrocutare.

Instrucțiuni suplimentare de siguranță și de lucru

Purtați echipament personal de protecție și întotdeauna ochelari de protecție. Purtarea echipamentului personal de protecție, ca masca pentru praf, încălțăminte de siguranță antiderapantă, casca de protecție sau protecția auditivă, în funcție de tipul și utilizarea sculei electrice, diminuează riscul rănilor.

Praful care apare când se lucrează cu această sculă poate fi dăunător sănătății și prin urmare nu trebuie să atingă corpul. Utilizați un sistem de absorbție a prafului și purtați o mască de

protecție împotriva prafului. Îndepărtați cu grijă praful depozitat, de ex. cu un aspirator.

Nu se admite prelucrarea unui material care poate pune în pericol sănătatea operatorului (de exemplu azbestul).

Când se lucrează pe pereți, tavan sau dușumea, aveți grijă să evitați cablurile electrice și țevile de gaz sau de apă.

Asigurați piesa de prelucrat cu un dispozitiv de fixare. Piese neasigurate pot provoca accidente grave și stricăciuni.

Pastrați cablul de alimentare la o distanță de aria de lucru a mașinii. Întotdeauna țineți cablul în spatele dvs.

La blocarea sculei demontabile vă rugăm să deconectați imediat aparatul! Nu conectați aparatul atâta timp cât scula demontabilă este blocată; dacă o faceți, s-ar putea să se producă un recul cu un cuplu mare de reacție. Găsiți și remediați cauza de blocare a sculei demontabile respectând indicațiile pentru siguranță.

Cauze posibile pentru aceasta pot fi:

- Agățarea în piesa de prelucrat
- Penetrarea completă în materialul de prelucrat
- Suprasolicitatea sculei electrice

Nu atingeți părțile mașinii aflate în rotație.

Unealta inserată este foarte ascuțită și se poate încălzi în timpul utilizării.

AVERTIZARE! Pericol de tăieturi și arsuri

- la manevrarea uneltelor inserate
- la depunerea aparatului

La manevrarea uneltelor inserate purtați mănuși de protecție. Rumegeșul și spanul nu trebuie îndepărtate în timpul funcționării mașinii.

Întotdeauna scoateți stecarul din priză înainte de a efectua intervenții la mașină.

OPERAREA

Pornire la rece

Dacă acest instrument este depozitat o perioadă lungă de timp sau la temperaturi reci, este posibil ca la început să nu lovească, deoarece lubrifierea a devenit rigidă.

Pentru a încălzi instrumentul

1. Introduceți și blocați un burghiu sau daltă în sculă.
2. Trageți declanșatorul și aplicați forța pe burghiu sau daltă pe o suprafață de beton sau lemn timp de câteva secunde. Eliberați declanșatorul.
3. Repetați până când scula începe să bată. Cu cât scula este mai rece, cu atât va dura mai mult timp încălzirea ei.

CONDIȚII DE UTILIZARE SPECIFICATE

Ciocanul poate fi folosit pentru dăltuit în piatră și beton.

ALIMENTARE DE LA REȚEA

Aparatele utilizate în multe locații diferite inclusiv în aer liber trebuie conectate printr-un disjunct (FI, RCD, PRCD) care previne comutarea.

Conectați numai la priză de curent alternativ monofazat și numai la tensiunea specificată pe placuța indicatoare. Se permite conectarea și la prize fără împământare dacă modelul se conformează clasei II de securitate.

Conectați la rețea numai când mașina este oprită.

INTREȚINERE

Fantele de aerisire ale mașinii trebuie să fie menținute libere tot timpul

Dacă cablul de racordare la rețea este avariât, acesta trebuie înlocuit la un punct de service, deoarece pentru aceasta este nevoie de scule speciale.

Utilizați numai accesorii și piese de schimb Milwaukee. Dacă unele din componente care nu au fost descrise trebuie înlocuite, vă rugăm contactați unul din agenții de service Milwaukee (vezi lista noastră pentru service / garanții

Dacă este necesară, se poate comanda o imagine descompusă a sculei. Vă rugăm menționați numărul art. Precum și tipul mașinii tipărit pe etichetă și comandați desenul la agenții de service locali sau direct la Techtronic Industries GmbH, Max-Eyth-Straße 10, 71364 Winnenden, Germany.

SIMBOLURI



Vă rugăm citiți cu atenție instrucțiunile înainte de pornirea mașinii



PERICOL! AVERTIZARE! ATENȚIE!



Întotdeauna scoateți stecarul din priză înainte de a efectua intervenții la mașină.



Purtați întotdeauna ochelari de protecție când utilizați mașina.



Purtați aparatoare de urechi.



Purtați o mască de protecție corespunzătoare împotriva prafului.



Purtați mănuși de protecție!



Accesorii - Nu este inclus în echipamentul standard.



Deșeurile de echipamente electrice și electronice nu se elimină ca deșeurii municipale nesortate. Deșeurile de echipamente electrice și electronice trebuie colectate separat. Deșeurile de materiale de iluminat trebuie îndepărtate din echipament. Informați-vă de la autoritățile locale sau de la comercianții acreditați în legătură cu centrele de reciclare și de colectare. În conformitate cu reglementările locale retailerii pot fi obligați să colecteze gratuit deșeurile de echipamente electrice și electronice. Contribuția dumneavoastră la reutilizarea și reciclarea deșeurilor de echipamente electrice și electronice contribuie la reducerea cererii de materii prime. Deșeurile de echipamente electrice și electronice conțin materiale reciclabile valoroase, care pot avea un impact negativ asupra mediului și sănătății umane, în cazul în care nu sunt eliminate în mod ecologic. În cazul în care pe echipamente au fost înregistrate date cu caracter personal, acestea trebuie șterse înainte de eliminarea echipamentelor ca deșeurii.



Sculă electrică cu clasa de protecție II. Sculă electrică la care protecția împotriva unei electrocutări nu depinde doar de izolația de bază, ci și de aplicarea de măsuri suplimentare de protecție, cum ar fi o izolație dublă sau o izolație mai puternică. Nu există un dispozitiv pentru conectarea unui conductor de protecție.



Viteza de mers în gol



Tensiune



Curent alternativ



Marca de conformitate europeană



Marca de conformitate britanică



Marca de conformitate ucraineană



Marca de conformitate eurasiatică

CE - ДЕКЛАРАЦИЯ ЗА СЪОТВЕТСТВИЕ

Ние декларираме, изцяло на наша отговорност, че продуктът, описан в „Технически данни“, съответства на всички необходими изисквания на директивите 2011/65/EC (RoHS) 2006/42/EO 2014/30/EC и че са използвани следните хармонизирани стандарти са използвани

EN 62841-1+A11:2022
EN 62841-2-6:2020 +A11:2020
EN IEC 55014-1:2021
EN IEC 55014-2:2021
EN IEC 61000-3-2:2019+A1:2021
EN 61000-3-3:2013+A1:2019+A2:2021
EN IEC 63000:2018

Измерените стойности са установени съгласно 2000/14/EO като опит директно върху слуха на потребителя. Метод на оценяване на съответствието съгласно анекс VI.

EU Упоменато място:
DEKRA Testing and Certification GmbH,
Handwerkstraße 15, 70565 Stuttgart
Location Certification Body, Dinnendahlstr. 9, 44809 Bochum,
Germany
Упоменато място номер: 0158

Измерено ниво на звукова мощност: 97,6 dB (A)

Гарантирано ниво на звукова мощност: 100,0 dB (A)



Winnenden, 2023-01-20

Alexander Krug / Managing Director
Упълномощен за съставяне на техническата документация
Techtronic Industries GmbH
Max-Eyth-Straße 10, 71364 Winnenden, Germany

ТЕХНИЧКИ ПОДАТОЦИ Апарат за длетување	K 500 ST 220-240 V	K 500 ST 110-120 V
Произведен број	4431 81 07... 4439 21 07... ... 000001-999999	4433 46 07... ... 000001-999999
Определен внес	1100 W	1100 W
Излез	550 W	550 W
Јачина на удар под оптоварување макс.	3000 min ⁻¹	3000 min ⁻¹
Единствена ударна сила според ЕПТА-процедурата 05/2009	7,5 J	7,5 J
Дијаметар на вратот на врв.	66 mm	66 mm
Тежина според ЕПТА-процедурата 01/2014	5,9 kg	5,9 kg
Информации за бучавата Измерените вредности се одредени согласно стандардот EN 62841. А-оценетото ниво на бучава на апаратот типично изнесува:		
Ниво на звучен притисок. (Несигурност K=3dB(A))	97,0 dB (A)	94,0 dB (A)
Ниво на јачина на звук. (Несигурност K=3dB(A))	105,0 dB (A)	102,0 dB (A)
Носте штитник за уши.		
Информации за вибрации Вкупни вибрациски вредности (векторски збир на трите насоки) пресметани согласно EN 62841.		
Длетување:		
Вибрациска емисиона вредност a _{h, Cheq}	12,8 m/s ²	11,3 m/s ²
Несигурност К	1,5 m/s ²	1,5 m/s ²

ПРЕДУПРЕДУВАЊЕ!

Нивото на вибрации и емисија на бучава дадени во овој информативен лист се измерени во согласност со стандардизиран метод на тестирање даден во EN 62841 и може да се користат за споредување на еден електричен алат со друг. Тие исто така може да се користат при првична проценка на изложеност.

Наведеното ниво на вибрации и емисија на бучава ја претставува главната примена на алатот. Сепак ако алатот се користи за поинакви примени, со поинаков прибор или лошо се одржува, вибрациите и емисијата на бучава може да се разликуваат. Тоа може значително да го зголеми нивото на изложеност преку целиот работен период.

Проценка на нивото на изложеност на вибрации и бучава треба исто така да се земе предвид кога е исклучен алатот или кога е вклучен, но не врши никаква работа. Тоа може значително да го намали нивото на изложеност преку целиот работен период.

Утврдете дополнителни безбедносни мерки за да се заштити операторот од ефектите на вибрациите и/или бучавата како на пр.: одржувајте го алатот и приборот, рацете нека ви бидат топли, организација на работните шеми.

⚠ ПРЕДУПРЕДУВАЊЕ Прочитајте ги сите безбедносни напомени, упатства, цртежи и податоци, коишто ги добивате заедно со уредот. Заборавајте на почитувањето на безбедносните упатства и инструкции можат да предизвикаат електричен удар, пожар и/или тешки повреди. **Сочувајте ги сите безбедносни упатства и инструкции за во иднина.**

⚠ БЕЗБЕДНОСНИ УПАТСТВА ЗА РОТИРАЧКИ ЧЕКАН
Безбедносни упатства за сите операции

Носете штитник за уши. Влијанието на бука може да предизвика губење на сетилото за слух.

Користете помошни рачки кои доаѓаат заедно со алатот. Губењето контрола може да предизвика повреда.

Фаќајте го електро-алатот само на изолирани површини за држење, додека извршувате работи, кај кои приборот може да погоди сокриени струјни водови или сопствениот кабел за напојување со струја. Контакт со жица под напон исто така ќе направи проводници од металните делови и оној кој ракува со алатот ќе доживее струен удар.

Безбедносни упатства за користење на ударна дупчалка со долги бургии

Секогаш започнете го дупчењето со мала брзина и со врвот на бургијата во контакт со парчето за обработка. На повисоки брзини, бургијата може да се извита ако се остави слободно да се врти без да го допира парчето за обработка и да доведе до телесна повреда.

Применете притисок само во директна линија со бургијата и да не применувате прекумерен притисок. Бургиите може да се извитаат и да предизвикаат кршење или губење на контрола и да дојде до телесна повреда.

Останати безбедносни и работни упатства

Користете сигурносна опрема. Секогаш носете заштита за очи. Сигурносната опрема како маска против прашина, сигурносни чевли кои не се лизгаат, шлем, или заштита за ушите, користени во конкретни услови ќе ги намалат вашите повреди.

Прашината која се крева при работа со овој алат може да биде штетна по здравјето и затоа не го изложувајте го телото. Користете систем за апсорпција на прашина и носете соодветна заштитна маска. Одстранете ја целосно наталожената прашина пр: со правосмукалка.

Не смеат да бидат обработувани материјали кои што можат да го загорзат здравјето (на пр. азбест).

Кога работите на сидови, таван или под внимавајте да ги избегнете електричните, гасните и водоводни инсталации. Обезбедете го предметот кој што го обработувате со направа за напон. Необезбедени парчиња кои што се обработуваат можат да предизвикаат тешки повреди и оштетувања.

Чувајте го кабелот за напојување подалеку од работната површина. Секогаш водете го кабелот позади вас.

Доколку употребуваното орудие се блокира, молиме веднаш да се исклучи апаратот! Не го вклучувајте апаратот повторно додека употребуваното орудие е блокирано; притоа би можело да дојде до повратен удар со висок момент на реакција. Испитајте и отстранете ја причината за блокирањето на употребеното орудие имајќи ги во предвид напомените за безбедност.

Можни причини за тоа може да бидат следните:

- Закантување во парчето кое што се обработува
- кршење на материјалот што се обработува
- Преоптоварување на електричното орудие

Не фаќајте во машината кога работи.

Алатката има остри рабови и може да се загрее за време на работата.

ПРЕДУПРЕДУВАЊЕ! Опасност од исеченици и изгореници

- при ракување со алатката

- при ставање на апаратот на страна

Носете заштитни ракавици кога ракувате со алатката.

Прашината и струготините не смеат да се одстрануваат додека е машината работи.

Секогаш кога преземате активности врз машината исклучете го кабелот од струјата.

ОПЕРАЦИЈА

Ладно стартување

Ако алатот бил складиран подолг период или на ладни температури, може почетно да не удира поради стврднување на подмачкувањето.

За да го загреете алатот

1. Вметнете и заклучете бургија или длето во алатот.
2. Повлечете го прекинувачот и применете сила на бургијата или на длето на бетонска и дрвена површина неколку секунди. Отпуштете го прекинувачот.
3. Повторете додека алатот не почне да удира. Колку е поладен алатот, толку подолго време ќе му биде потребно да се загрее.

СПЕЦИФИЦИРАНИ УСЛОВИ НА УПОТРЕБА

Чеканот може да се користи за клесање и демолирање.

ГЛАВНИ ВРСКИ

Уредите кои се користат на многу различни локации вклучувајќи и отворен простор мора да бидат поврзани за струја преку направата за поврзување (FI, RCD, PRCD).

Да се спои само за една фаза AC коло и само на главниот напон наведен на плочката. Можно е исто така и поврзување на приклучок без ваземјување доколку изведбата соодветствува на безбедност од 2 класа.

Вклучувањето на кабелот во струја се прави исклучиво машината е исклучена.

ОДРЖУВАЊЕ

Вентилациски отвори на машината мора да бидат комплетно отворени постојано.

Ако приклучниот мрежен вод е оштетен, тој мора да биде заменет од служба за клиенти, бидејќи за тоа е потребен посебен алат.

Користете само Milwaukee додатци и резервни делови. Доколку некои од компонентите кои не се опишани треба да бидат заменети, Ве молиме контактирајте ги сервисните агенти на Milwaukee (консултирајте ја листата на адреси).

Доколку е потребно можно е да биде набавен детален приказ на алатот. Ве молиме наведете го бројот на артиклот како и типот на машина кој е отпечатен на етикетата и порачајте ја скицата кај локалниот застапник или директно кај: Techtronic Industries GmbH, Max-Eyth-Straße 10, 71364 Winnenden, Germany.

СИМБОЛИ



Ве молиме пред да ја стартувате машината обрнете внимание на упатствата за употреба.



ВНИМАНИЕ! ПРЕДУПРЕДУВАЊЕ! ОПАСНОСТ!



Секогаш кога преземате активности врз машината исклучете го кабелот од струјата.



Секогаш при користење на машината носете ракавици.



Носете штитник за уши.



Не ја вдишувајте. Носете соодветна заштитна маска.



Носете ракавици!



Дополнителна опрема - Не е вклучена во стандардната.



Не отстранувајте ја отпадната електрична и електронска опрема како несортиран комунален отпад. Отпадната електрична и електронска опрема мора да се собира посебно. Отпадните извори на светлина треба да се отстранат од опремата. Проверете кај вашиот локален орган или продавач за совети за рециклирање и место за собирање. Во зависност од локалните регулативи, трговците на мало може да се обврзани бесплатно да ја преземаат отпадната електрична и електронска опрема. Вашиот придонес за повторна употреба и рециклирање на отпадната електрична и електронска опрема помага да се намали побарувачката на суровини. Отпадната електрична и електронска опрема содржи вредни материјали за рециклирање, кои може негативно да влијаат на животната средина и на здравјето на луѓето доколку не се отстранат на еколошки компатибилен начин. Избришете ги личните податоци од отпадната опрема, доколку ги има.



Електрично орудие од заштитната категорија II.
Електрично орудие чијашто заштита од електричен удар не зависи само од основната изолација туку и од тоа дали ќе се применат дополнителните заштитни мерки како што се двоструките изолации или појачаната изолација. Не постои никаква направа за приклучување на некој заштитен вод.



Брзина без оптоварување



Напон

Наизменична струја



Европска ознака за сообразност



Британска ознака за сообразност



Украинска ознака за сообразност



Евроазиска ознака за сообразност

ЕУ-ДЕКЛАРАЦИЈА ЗА СООБРАЗНОСТ

Под целосна лична одговорност изјавуваме дека производот опишан во „Технички податоци“ е во сообразност со сите релевантни прописи од директивите 2011/65/EU (RoHS) 2006/42/EC 2014/30/EU и дека се применети следните хармонизирани стандарди биле користени

EN 62841-1+A11:2022
EN 62841-2-6:2020 +A11:2020
EN IEC 55014-1:2021
EN IEC 55014-2:2021
EN IEC 61000-3-2:2019+A1:2021
EN 61000-3-3:2013+A1:2019+A2:2021
EN IEC 63000:2018

Мерните вредности утврдени во склад со 2000/14/EG на увото на корисникот. Постапката за оценување на конформитетот според анекот VI.

EU Именувано место:
DEKRA Testing and Certification GmbH,
Handwerkstraße 15, 70565 Stuttgart
Location Certification Body, Dinnendahlstr. 9, 44809 Bochum,
Germany
Именувано место број: 0158

Измерено ниво на јачина на звук: 97,6 dB (A)

Гарантирано ниво на јачина на звук: 100,0 dB (A)



Winnenden, 2023-01-20

Alexander Krug / Managing Director
Ополномоштен за составување на техничката документација.
Techtronic Industries GmbH
Max-Eyth-Straße 10, 71364 Winnenden, Germany

ТЕХНИЧНИ ХАРАКТЕРИСТИКИ	K 500 ST 220-240 V	K 500 ST 110-120 V
Видбиенни молоток		
Номер вироу	4431 81 07... 4439 21 07... ... 000001-999999	4433 46 07... ... 000001-999999
Номинална споживана потужност	1100 W	1100 W
Виддавана потужност	550 W	550 W
Кількост ударів під навантаженням макс.	3000 min ⁻¹	3000 min ⁻¹
Сила окремого удара згідно з процедурою EPTA 05/2009	7,5 J	7,5 J
Шийка затиску, ø	66 mm	66 mm
Вага згідно з процедурою EPTA 01/2014	5,9 kg	5,9 kg
Информација про шум Вимјрани значення визначени згідно з EN 62841. Рівенш шуму "А" приладу становить в типовому випадку:		
Рівенш звукового тиску (похибка К = 3 дБ(А))	97,0 dB (A)	94,0 dB (A)
Рівенш звукової потужности (похибка К = 3 дБ(А))	105,0 dB (A)	102,0 dB (A)
Використовувати засоби захисту органів слуху!		
Информација щодо вибрації Сумарні значення вибрації (векторна сума трьох напрямків), встановлені згідно з EN 62841.		
Довбання:		
Значення вибрації a _{h, Cheq}	12,8 m/s ²	11,3 m/s ²
похибка К =	1,5 m/s ²	1,5 m/s ²

ПОПЕРЕДЖЕННЯ!

Заявлені значення шумового випромінювання, вказані в цьому інформаційному аркуші, було вимјрано відповідно до стандартизованого випробування згідно з EN 62841 та можуть використовуватися для порівняння одного інструмента з іншим. Вони також можуть використовуватися для попередньої оцінки рівня впливу на організм.

Вказані значення вибрації та шумового випромінювання дійсні для основних областей застосування інструмента. Якщо інструмент використовується в інших областях застосування чи з іншим приладдям або не проходить належне обслуговування, значення вибрації та шумового випромінювання можуть відрізнятиса. Це може суттєво збільшити рівень впливу на організм протягом загального періоду роботи.

Під час оцінки рівня впливу вибрації та шумового випромінювання на організм також необхідно враховувати періоди, коли інструмент вимкнено, чи коли він працює, але фактично не використовується для виконання роботи. Це може суттєво знизити рівень впливу на організм протягом загального періоду роботи.

Визначте додаткові заходи для захисту оператора від впливу вибрації та/або шуму, наприклад, обслуговування інструмента та його приладдя, зберігання рук у теплі, організація графіків роботи.



ПОПЕРЕДЖЕННЯ Ознайомтеся з усіма вказівками щодо техніки безпеки, інструкціями, ілюстраціями та відомостями, що було надано разом із приладом. Упущення при дотриманні вказівок з техніки безпеки та інструкцій можуть призвести до ураження електричним струмом, пожежі та/або тяжких травм.
Зберігайте всі вказівки з техніки безпеки та інструкції на майбутнє.



ВКАЗІВКИ З ТЕХНІКИ БЕЗПЕКИ ДЛЯ ПЕРФОРАТОРІВ

Інструкції з техніки безпеки для всіх операцій

Користуйтеся засобами захисту органів слуху. Вплив шуму може спричинити втрату слуху.

Використовувати додаткові рукоятки, що постачаються з приладом. Втрата контролю може призвести до пошкоджень.

Під час виконання робіт тримайте електроінструмент за ізольовані поверхні рукояток, якщо вставний інструмент може натрапити на приховані електричні

лінії або власний мережевий кабель. Контакт з лінією під напругою може призвести до появи напруги в металевих частинах приладу та до ураження електричним струмом.

Вказівки з техніки безпеки під час використання перфоратора з довгими свердлами

Завжди починайте свердління на низькій швидкості та зі свердлом, що торкається робочої поверхні. На високій швидкості свердло може погнутися швидко при безконтактній ротації, ніж при контактї з поверхнею, і це може призвести до поранень.

Натискайте лише по прямій лінії свердла та не тисніть занадто сильно. Свердла можуть гнутися, що спричиняє поломку або втрату контролю та призводить до поранень.

Додаткові інструкції з техніки безпеки та експлуатації

Використовувати засоби індивідуального захисту. Завжди носити засоби для захисту очей. Засоби захисту, наприклад, респиратор, нековзне захисне взуття, каска або засіб захисту для органів слуху, використані за відповідних умов, зменшують травматизм.

Пил, що утворюється під час роботи, часто буває шкідливим для здоров'я; він не повинен потрапляти в організм. Використовувати засоби для відсмоктування пилу та додатково носити відповідну маску для захисту від пилу. Відкладення пилу ретельно видаляти, наприклад, пилососом. Не можна обробляти матеріали, небезпечні для здоров'я (наприклад, азбест).

Під час роботи на стінах, стелях або підлозі звертати увагу на електричні кабелі, газові та водопровідні лінії.

Зафіксувати заготовку в затискному пристрої. Незакріплені заготовки можуть привести до тяжких травм та пошкоджень. З'єднувальний кабель завжди тримати за межами радіуса дії машини. Вести кабель завжди позаду машини.

При блокуванні вставного інструменту негайно вимкнути прилад! Не вмикайте прилад, якщо вставний інструмент заблокований; при цьому може виникати віддача з високим зворотнім моментом. Визначити та усунути причину блокування вставного інструменту з урахуванням вказівок з техніки безпеки.

Причиною може бути:

- Перекіс в заготовці, що обробляється
- Пробивання оброблюваного матеріалу
- Перевантаження електроінструмента

Частини тіла не повинні потрапляти в машину, коли вона працює.

Робочий інструмент має гострі краї й може нагріватися під час застосування.

ПОПЕРЕДЖЕННЯ! Небезпека порізів та опіків

- під час маніпуляцій із робочими інструментами
- при відкладанні приладу

Під час маніпуляцій із робочими інструментами надягайте рукавички.

Не можна видаляти стружку або уламки, коли машина працює.

Перед будь-якими роботами на машині витягнути штекер із штепсельної розетки.

ЕКСПЛУАТАЦІЯ

Холодний запуск

Одразу після тривалого зберігання тривалого часу або при низьких температурах інструмент може погано працювати через затвердіння мастила.

Для прогрівання інструменту

1. вставте в інструмент свердло чи долото та зафіксуйте його.
2. Натисніть кнопку запуску та втисніть долото чи свердло в бетонну або дерев'яну поверхню на кілька секунд. Відпустіть кнопку запуску.
3. Повторюйте, доки інструмент не почне здійснювати ударні рухи. Що холоднішим є інструмент, то довше він прогріватиметься.

ВИКОРИСТАННЯ ЗА ПРИЗНАЧЕННЯМ

Відбійний молоток можна використовувати для довбання каменю та бетону

ПІДКЛЮЧЕННЯ ДО МЕРЕЖИ

Штепсельні розетки за межами приміщень та на вологих ділянках повинні бути оснащені автоматичним запобіжним вимикачем, який спрацьовує при появі струму витоку (FI, RCD, PRCD). Для цього необхідні монтажні інструкції для вашої

електричної системи. Майте це на увазі при користуванні нашим приладом.

Підключати лише до однофазного змінного струму і напруги мережі, які вказані на фірмовій табличці з паспортними даними. Можливе підключення також до штепсельних розеток без захисного контакту, адже конструкція має клас захисту II.

Під'єднати машину до штепсельної розетки тільки в вимкненому стані.

ОБСЛУГОВУВАННЯ

Завжди підтримувати чистоту вентиляційних отворів.

Якщо мережевий кабель живлення пошкоджений, то його повинна замінити сервісна служба, щоб уникнути небезпеки.

Використовувати тільки комплектуючі та запчастини Milwaukee. Деталі, заміна яких не описується, замінювати тільки в відділі обслуговування клієнтів Milwaukee (зверніть увагу на брошуру "Гарантія / адреси сервісних центрів").

У разі необхідності можна запросити креслення з зображенням вузлів машини в перспективному вигляді, для цього потрібно звернутися в ваш відділ обслуговування клієнтів або безпосередньо в Techtronic Industries GmbH, Max-Eyth-Straße 10, 71364 Winnenden, Німеччина, та вказати тип машини та шестизначний номер на фірмовій табличці з даними машини.

СИМВОЛИ



Уважно прочитайте інструкцію з експлуатації перед введенням приладу в дію.



УВАГА! ПОПЕРЕДЖЕННЯ! НЕБЕЗПЕЧНО!



Перед будь-якими роботами на машині витягнути штекер із штепсельної розетки.



Під час роботи з машиною завжди носити захисні окуляри.



Користуйтеся засобами захисту органів слуху.



Носити відповідну маску для захисту від пилу.



Носити захисні рукавиці!



Комплектуючі - не входять в обсяг постачання.



Не утилізуйте відпрацьоване електричне та електронне обладнання разом з побутовими відходами. Відпрацьоване електричне та електронне обладнання необхідно збирати окремо. Відпрацьовані джерела світла повинні бути вилучені з обладнання. Зверніться до місцевих органів влади або роздрібного продавця за порадою щодо утилізації та пункту збору. Відповідно до місцевих постанов, роздрібні продавці можуть бути зобов'язані безкоштовно забирати назад відпрацьоване електричне та електронне обладнання. Ваш внесок до повторного вживання та переробки відпрацьованого електричного та електронного обладнання допомагає зменшити попит на сировину. Відпрацьоване електричне та електронне обладнання містить цінні матеріали, які можуть бути перероблені, та має негативний вплив на довкілля й здоров'я людей, якщо не буде утилізоване у безпечний для довкілля спосіб. Виділіть особисті дані з відпрацьованого обладнання, якщо такі є.



Електроінструмент класу захисту II. Електроінструмент, в якому захист від враження електричним струмом залежить не лише від базової ізоляції, але й від використовуваних додаткових засобів захисту, таких як подвійна ізоляція або посилена ізоляція. Немає пристроїв для підключення захисного з'єднання.

n_0

Кількість обертів холостого ходу

v

Напруга



Змінний струм



Європейський знак відповідності



Британський знак відповідності



Український знак відповідності



Євразійський знак відповідності

СЕРТИФІКАТ ВІДПОВІДНОСТІ ВИМОГАМ ЄС

Ми заявляємо на власну відповідальність, що виріб, описаний в "Технічних даних", відповідає всім застосовним положенням директиви 2011/65/EU (RoHS) 2006/42/EC 2014/30/EU та наступним гармонізованим нормативним документам: були використані

EN 62841-1+A11:2022
EN 62841-2-6:2020 +A11:2020
EN IEC 55014-1:2021
EN IEC 55014-2:2021
EN IEC 61000-3-2:2019+A1:2021
EN 61000-3-3:2013+A1:2019+A2:2021
EN IEC 63000:2018

Виміряні значення, визначені відповідно до 2000/14/EC на вузі користувача. Процедура оцінки відповідності згідно з додатком VI.

EU Уповноважений орган:
DEKRA Testing and Certification GmbH,
Handwerkstraße 15, 70565 Stuttgart
Location Certification Body, Dinnendahlstr. 9, 44809 Bochum,
Germany
Уповноважений орган номер: 0158

Вимірюваний рівень звукової потужності: 97,6 dB (A)

Гарантований рівень звукової потужності: 100,0 dB (A)



Winnenden, 2023-01-20

Alexander Krug / Managing Director
Уповноважений із складання технічної документації.
Techtronic Industries GmbH
Max-Eyth-Straße 10, 71364 Winnenden, Germany

قم بتأمين القطعة المستخدمة من المواد في تجهيز تثبيت.
القطع المستخدمة من المواد الغير مرنة يمكن أن تسبب في إصابات وأضرار حادة.

ابق السلك الرئيسي بعيداً عن نطاق عمل الجهاز. ابق دائماً السلك بعيداً عنك أو خلفك.

الرجاء إيقاف تشغيل الجهاز على الفور في حالة عرقلة أداة الاستعمال! لا تقم بتشغيل الجهاز مرة أخرى، طالما أن الأداة المستعملة لازالت في حالة عرقلة؛ حيث يمكن أن يحدث هنا ارتداد عكسي مصحوب بقوة رد فعل عالية. قم بالبحث وإزالة أسباب عرقلة أداة الاستعمال مع مراعاة تعليمات الأمان.

الأسباب الممكنة لذلك يمكن أن تكون هي:
• أنحدار في القطعة المخصصة للاستعمال
• إنكسار المواد المستخدمة.
• زيادة الحمل على الآلة الكهربائية

لا تلامس بيدك الماكينة أثناء دورانها.
الإداة المستخدمة حادة الحافة وقد تصبح ساخنة أثناء الاستخدام.

تحذيراً خطر إصابة بجروح وحروق
- عند التعامل مع أدوات الاستخدام
- عند وضع الجهاز
يتعين ارتداء قفازات وقائية عند استعمال أداة الاستعمال.
لا يجب إزالة النشارة والشظايا أثناء تشغيل الآلة.
افصل دائماً القابس عن المقبس قبل تنفيذ أي عمل بالجهاز.



التشغيل

بدء التشغيل البارد

إذا حُرِّت هذه الأداة لفترة زمنية طويلة أو في درجات حرارة باردة، فربما لا تشرع في الطرق في البداية لأن التشحيم أصبح صلباً.

من أجل إجماع الأداة

1. قم بإدخال وتأمين قفل لقمة أو إزميل في الأداة.
2. اجذب زر الإطلاق وقم ببذل بعض القوة على اللقمة أو الإزميل على سطح خرساني أو خشبي ليضع ثوانٍ. اترك زر الإطلاق.
3. كرر ذلك حتى تبدأ الأداة في الطرق. كلما كانت الأداة باردة، طال الوقت الذي تستغرقه من أجل الإجماع.

شروط الاستخدام المحددة

يمكن استخدام المثقاب الدقاق في نحت الأحجار والخرسانات.

توصيل الموصلات الرئيسية

يجب تزويد القوايس في الغرف الرطبة وفي الأماكن الخارجية بأزرار حماية ضد تيار العطل (FI, RCD, PRCD). هذا يتطلب تعليمات التركيب الخاصة بجهازك. الرجاء مراعاة ذلك عند استخدام جهازنا.

قم بالتوصيل بتيار متردد أحادي الطور بنظام الجهد الكهربائي المحدد على لوحة الجهد المعقن فقط. يمكن أيضاً التوصيل بالمقاييس غير المورضة حيث يتطابق التصميم مع معايير سلامة الفئة الثانية لحماية الأجهزة الكهربائية. يتم توصيل القابيس فقط عندما تكون الآلة مطفأة.

الصيانة

يجب أن تكون فتحات تهوية الجهاز نظيفة طوال الوقت.
في حالة تلف كبل الطاقة في هذا الجهاز، يجب استبداله فقط بواسطة ورشة تصليح يحددها المصنّع لتجنب المواقف التي تنسّم بالمخاطرة.

استخدم فقط ملحقات ميلوكي وكذلك قطع غيار ميلوكي. إذا كانت المكونات التي يجب تغييرها غير مذكورة، يرجى

الاتصال بأحد عملاء صيانة ميلوكي (انظر قائمة عناوين الضمان/الصيانة الخاصة بنا).

عند الحاجة يمكن طلب رمز انفجار الجهاز بعد ذكر طراز الآلة والرقم السداسي المذكور على بطاقة طاقة الآلة لدى جهة خدمة العملاء أو مباشرة لدى شركة
Techtronic Industries GmbH
Max-Eyth-Straße 10, 71364 Winnenden

الرموز

يرجى قراءة التعليمات بعناية قبل بدء تشغيل الجهاز.

تنبيه! تحذيراً خطراً!

افصل دائماً القابيس عن المقبس قبل تنفيذ أي عمل بالجهاز.

ارتد دائماً نظارات الوقاية عند استخدام الجهاز.

ارتد واقيات الأذن.

لا تستنشق هذه الأتربة. ارتد قناعاً واقياً من الأتربة مناسباً.

ارتد القفازات!

الملحق - ليس مترجماً كمعدة قياسية.

يحظر التخلص من الأجهزة الكهربائية والإلكترونية القديمة سوياً مع القمامة المنزلية. يجب جمع الأجهزة الكهربائية والإلكترونية القديمة والتخلص منها بشكل منفصل. انزع المصابيح من الأجهزة قبل التخلص منها. الرجاء الاستفسار لدى الجهات الرسمية في المكان أو لدى التجار المتخصصين عن مواقع إعادة الاستغلال ومواقع الجمع. وفقاً للوائح المحلية، قد يُطلب من تجار التجزئة استعادة المعدات الكهربائية والإلكترونية القديمة مجاناً. ساهم في الحد من الحاجة إلى المواد الخام عن طريق إعادة استخدام نفايات المعدات الكهربائية والإلكترونية الخاصة بك وإعادة تدويرها. توي الأجهزة الكهربائية والإلكترونية القديمة على مواد قيمة وقابلة لإعادة التدوير يمكن أن يكون لها آثار سلبية على البيئة وصحتك في حالة عدم التخلص منها على نحو يتماشى مع البيئة. قبل التخلص قم بمحو البيانات الشخصية قدر الإمكان على جهازك القديم.

أداة كهربائية ذات درجة حماية 2 أداة كهربائية لا تتوقف الحماية فيها من الصعق الكهربائي ليس فقط على العزل الأساسي، بل أيضاً على إجراءات الحماية الإضافية، مثل العزل المزدوج أو العزل المقوى. ليس هناك تجهيز لتوصيل تريض وافي

أقصى سرعة دون وجود حمل

الجهد الكهربائي

التيار المتردد

علامة التوافق الأوروبية



علامة التوافق البريطانية



علامة التوافق الأوكرانية



علامة التوافق الأوروبية الآسيوية



إعلان المطابقة - الاتحاد الأوروبي

نعلن تحت مسؤوليتنا وحدنا أن المنتج المعين تحت اسم "البيانات الفنية" يستوفي جميع الأحكام ذات الصلة ضمن التوجيهات

(EU (RoHS/2011/65

EG/2006/42

EU/2014/30

والمعايير المتسقة التالية قد استعمل

EN 62841-1+A11:2022

EN 62841-2-6:2020 +A11:2020

EN IEC 55014-1:2021

EN IEC 55014-2:2021

EN IEC 61000-3-2:2019+A1:2021

EN 61000-3-3:2013+A1:2019+A2:2021

EN IEC 63000:2018

تم تحديد القيم المقاسة وفقاً لـ

EC / 2000/14 في أذن المستخدم. السادس

EU الهيئة المبلغة:

DEKRA Testing and Certification GmbH,

Handwerkstraße 15, 70565 Stuttgart

Location Certification Body, Dinnendahlstr. 9,

44809 Bochum,

Germany

الهيئة المبلغة رقم: 0158

مستوى شدة الصوت الذي تم قياسه:

97,6 dB (A)

مستوى شدة الصوت خلال فترة الضمان:

100,0 dB (A)

2023-01-20, Winnenden



Alexander Krug

Alexander Krug / Managing Director

معمدة للمطابقة مع الملف الفني

Techtronic Industries GmbH

Max-Eyth-Straße 10, 71364 Winnenden,

Germany

K 500 ST 110-120 V	K 500 ST 220-240 V	البيانات الفنية مطرقة تقطيع
4433 46 07... ... 000001- 999999	4431 81 07... 4439 21 07... ... 000001- 999999	إنتاج عدد
1100 W	1100 W	الدخل المقدر
550 W	550 W	الخرج
3000 min ⁻¹	3000 min ⁻¹	معدل الحفر بالدق تحت الحمل الحد الأقصى
7,5 J	7,5 J	طاقة التأثير لكل شوط طبقاً لإجراء EPTA رقم 05/2009
66 mm	66 mm	قطر عنق الظرف
5,9 kg	5,9 kg	الوزن وفقاً لنهج EPTA رقم 01/2014
معلومات الضوضاء		
القيم التي تم قياسها محددة وفقاً للمعايير الأوروبية EN 62841 مستويات ضوضاء الجهاز، ترجيحاً بشكل نمذجي كالتالي:		
94,0 dB (A) 102,0 dB (A)	97,0 dB (A) 105,0 dB (A)	مستوى ضغط الصوت (الارتياح في القياس = 3 ديسيبل (A)) مستوى شدة الصوت (الارتياح في القياس = 3 ديسيبل (A))
ارتد واقيات الأذن!		
معلومات الاهتزاز		
قيم الذبذبات الإجمالي (مجموع الكميات الموجهة في المحاور الثلاثة) محددة وفقاً للمعايير الأوروبية EN 62841.		
لنحت::		
11,3 m/s ² 1,5 m/s ²	12,8 m/s ² 1,5 m/s ²	قيمة انبعاث الذبذبات a _{h, Cheq} الارتياح في القياس

تحذير!

تم قياس مستوى الاهتزاز وانبعاث الضوضاء الوارد في ورقة المعلومات هذه، وفقاً لاختبار قياسي محدد في المواصفة EN 62841، ويمكن استخدامه لمقارنة آلة مع أخرى. كما يمكن استخدام ذلك أيضاً في إجراء تقييم أولي للتعرض. يمثل مستوى الاهتزاز وانبعاث الضوضاء المعلن عنه الاستخدامات الأساسية للآلة. ومع ذلك، إذا استعملت الآلة في استخدامات مختلفة، أو بملحقات مختلفة، أو تم صيانتها على نحو سيئ، فقد يختلف مستوى الاهتزاز وانبعاث الضوضاء. وهذا قد يزيد إلى حد كبير من مستوى التعرض خلال مدة العمل الإجمالية.

عند تقييم مستوى التعرض للاهتزاز والضوضاء، ينبغي أيضاً أن يوضع في الاعتبار فترات إطفاء الآلة أو تشغيلها دون أن تقوم بأي وظيفة فعلياً. فهذا قد يقلل إلى حد كبير من مستوى التعرض خلال مدة العمل الإجمالية.

تعرف على تدابير السلامة الإضافية؛ لحماية المشغل من تأثيرات الاهتزاز أو الضوضاء أو كليهما، مثل: صيانة الآلة وملحقاتها، والحفاظ على دفاة اليدين، وتنظيم نماذج العمل.

تحذير! اقرأ جميع تعليمات السلامة والإرشادات والشروح والبيانات المرفقة مع الجهاز. قد يؤدي الفشل في مراعاة التحذيرات والتعليمات إلى التعرض للإصابة بصدمة كهربائية أو الحروق و/أو إصابة خطيرة.

احتفظ بجميع التنبيهات والتعليمات للرجوع إليها مستقبلاً.

ابدأ دائماً في الحفر بسرعة منخفضة باستخدام طرف الريشة في اتصال مع قطعة الشغل. عند السرعات العالية، من المحتمل أن تنحني الريشة إذا تم السماح لها بالتناوب بحرية دون الاتصال بقطعة الشغل، ما قد يؤدي إلى إصابة شخصية. طبق الضغط فقط في خط مباشر مع الريشة ولا تطبق ضغطاً مفرطاً. يمكن أن تنحني الريشة مسببة كسر أو فقدان السيطرة، ما قد يؤدي إلى إصابة شخصية.

تعليمات السلامة للمطرقة الدوارة

تعليمات السلامة لكل العمليات

ارتد واقيات الأذن. ارتت قد يسبب التعرض للضوضاء إلى فقدان السمع.

ستخدم المقابض الإضافية، إذا كانت مرفقة مع الأداة. ا قد يسبب فقدان السيطرة حدوث إصابة شخصية.

امسك الآلة الكهربائية من اسطح القبض المعزولة فقط، وذلك عند القيام بعملية قد يلمس فيها أحد ملحقات آلة القطع أسلاك مخفية أو السلك الخاص بها. تسبب ملامسة أحد ملحقات آلة القطع بسلك كهربائي "موصلة" في جعل الأجزاء المعدنية المكشوفة بالآلة الكهربائية "موصلة" كهربياً مما يجعل المشغل عرضة لصدمة كهربائية.

إرشادات السلامة لاستخدام المثقاب المطرقي مع المثاقيب الطويلة

إرشادات أمان وعمل إضافية

استخدم أدوات وقاية شخصية وارتد دائماً واقى للعين.

استخدم الأدوات الواقية مثل القناع الواقى من الغبار أو أحذية الأمان ضد الإنزلاق أو القبعة الواقية أو واقى السمع بما يتناسب مع الظروف يقلل من الحوادث الشخصية.

قد تكون الأتربة الناتجة عن استخدام هذه الآلة ضارة بالصحة. لا تستنشق هذه الأتربة. استخدم نظام امتصاص الأتربة وارتد قناعاً واقياً من الأتربة مناسباً. قم بإزالة الأتربة الموجودة تماماً باستخدام الكنسة الكهربائية على سبيل المثال.

لا يجوز استخدام مواد ينجم عنها أضرار على الصحة (حريز صخري).

عند العمل في سقف الحوائط أو الأرضية، توخ الحذر وتجندب الكابلات الكهربائية وأنابيب الغاز أو المياه.

Copyright 2023
Techtronic Industries GmbH
Max-Eyth-Straße 10
71364 Winnenden
Germany
+49 (0) 7195-12-0
www.milwaukeeetool.eu

Techtronic Industries (UK) Ltd
Parkway
Marlow, SL7 1YL
UK

(01.23)
4931 4250 62