

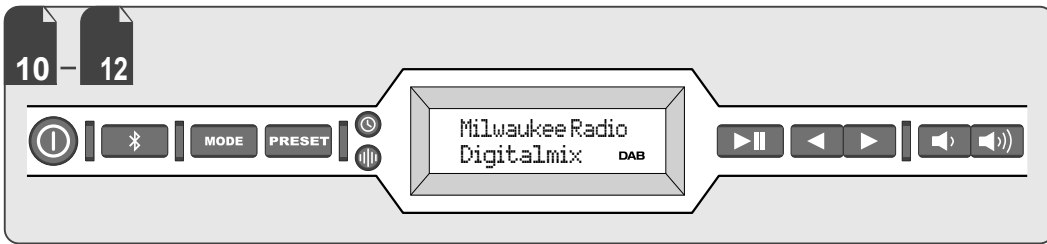


Nothing but **HEAVY DUTY.**[™]

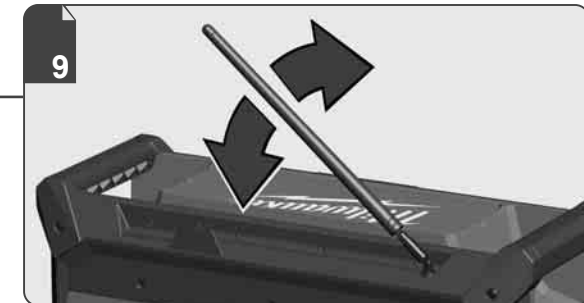
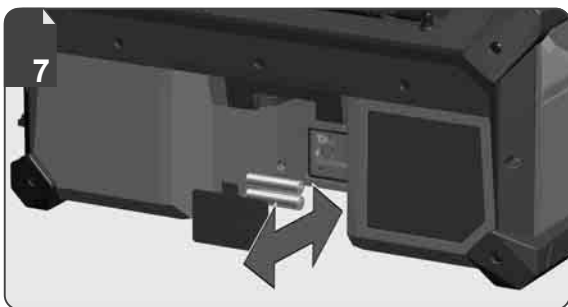
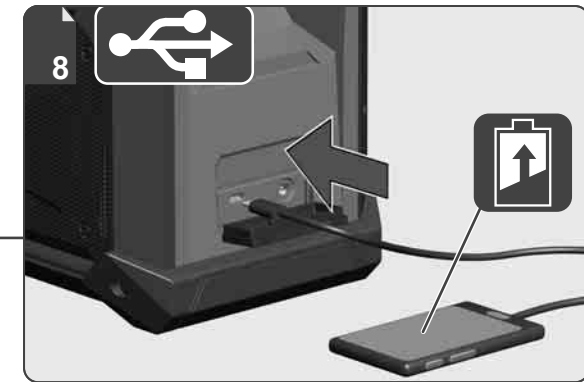
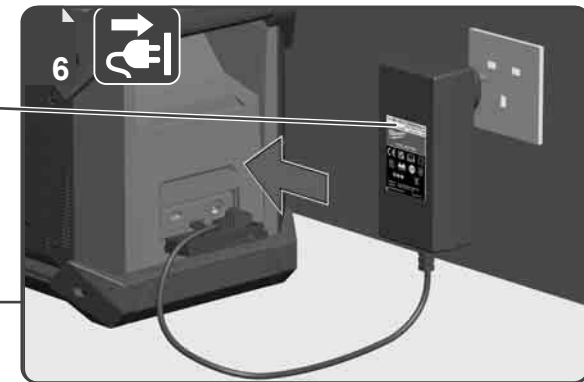


M18 RADDAB+G2

Original instructions

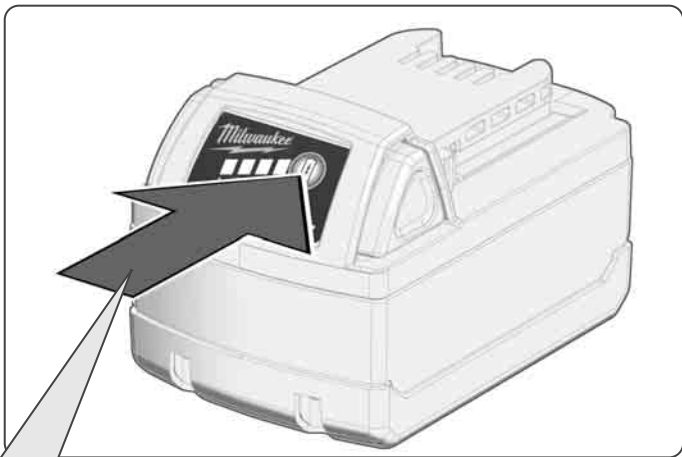
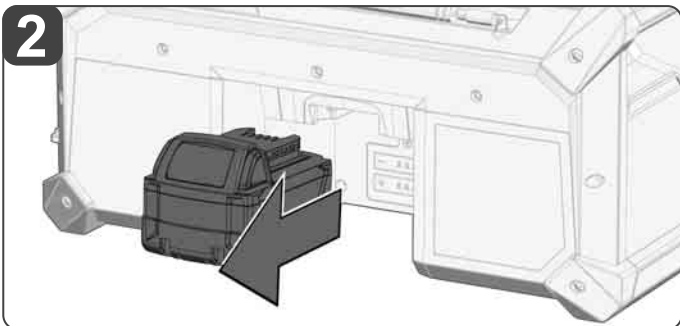
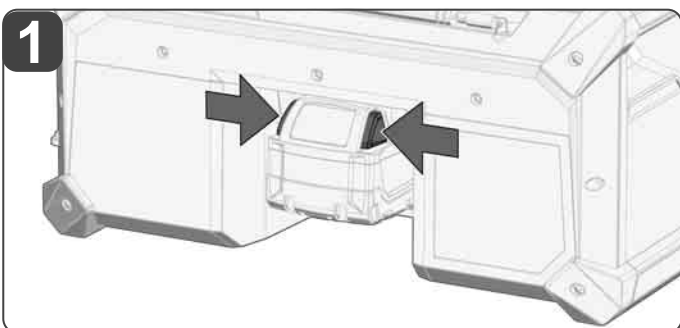
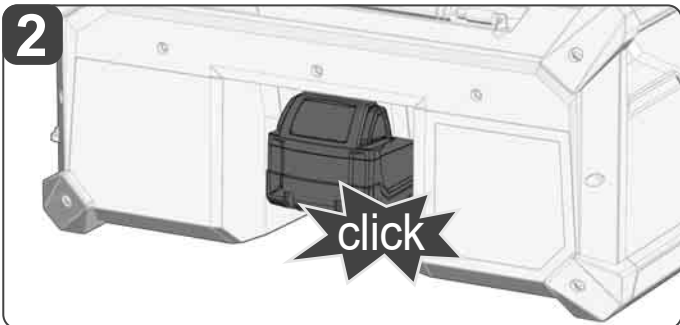
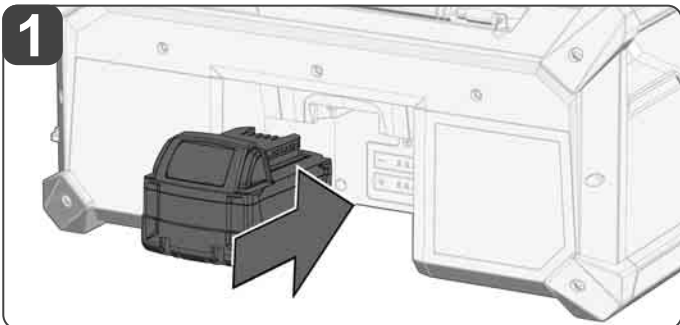


10 Text section with Technical Data, important Safety and Working Hints and description of Symbols





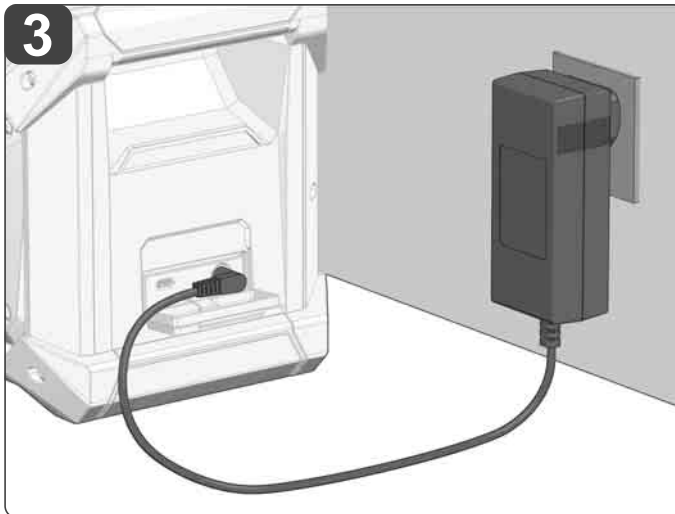
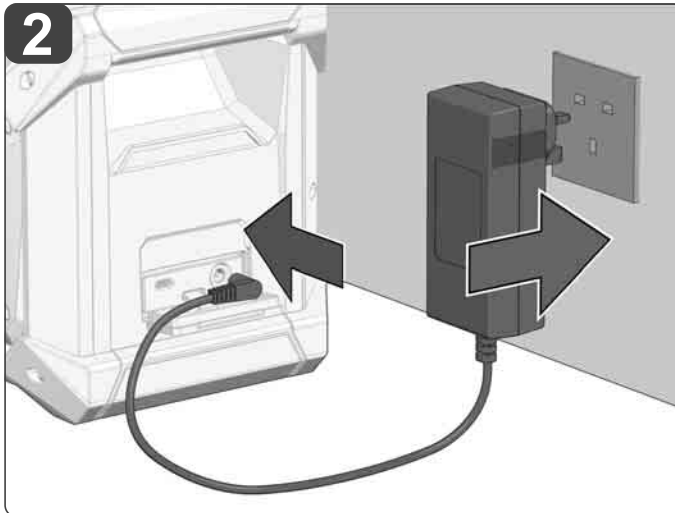
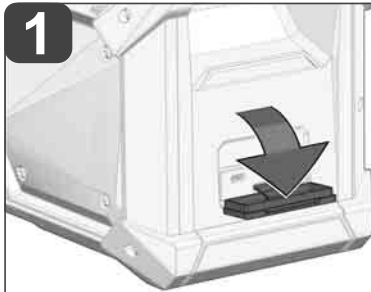
Remove the battery pack before starting any work on the machine.



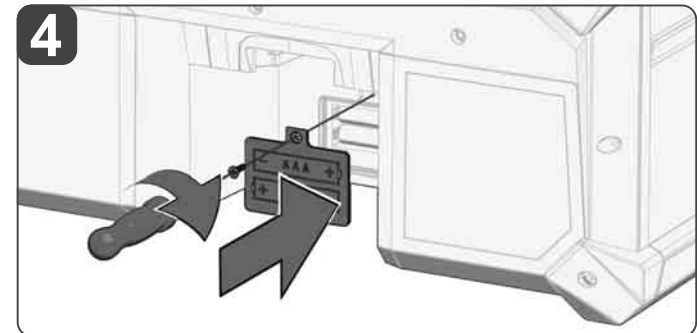
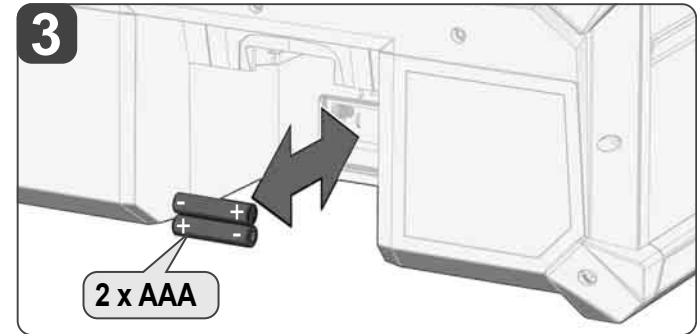
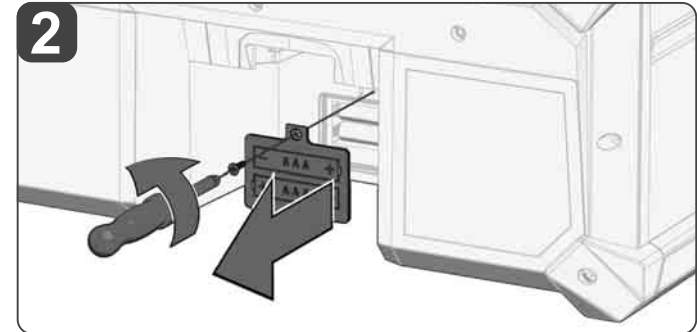
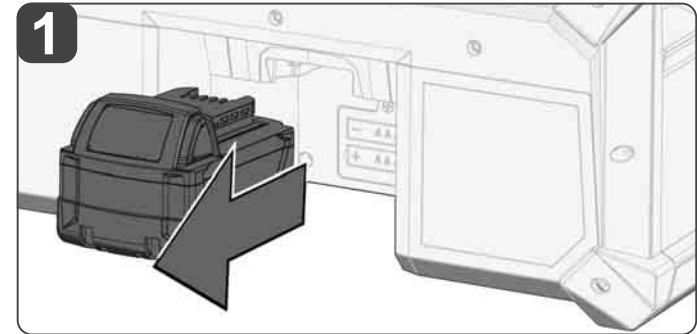
		75-100 %
		50-75 %
		30-50 %
		10-30 %
		< 10 %



The battery is not charged during mains connection.

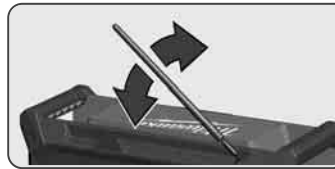
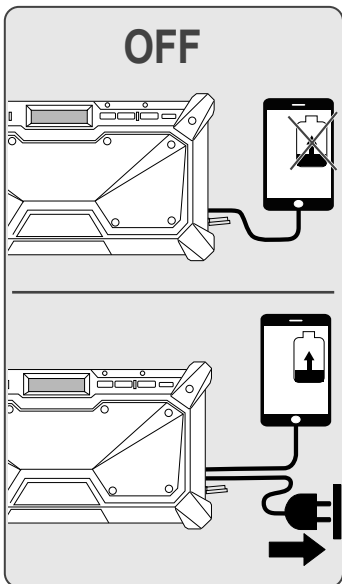
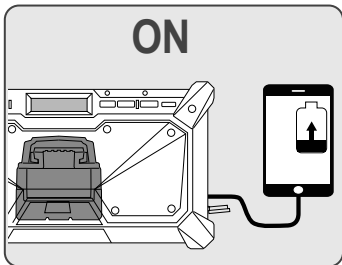
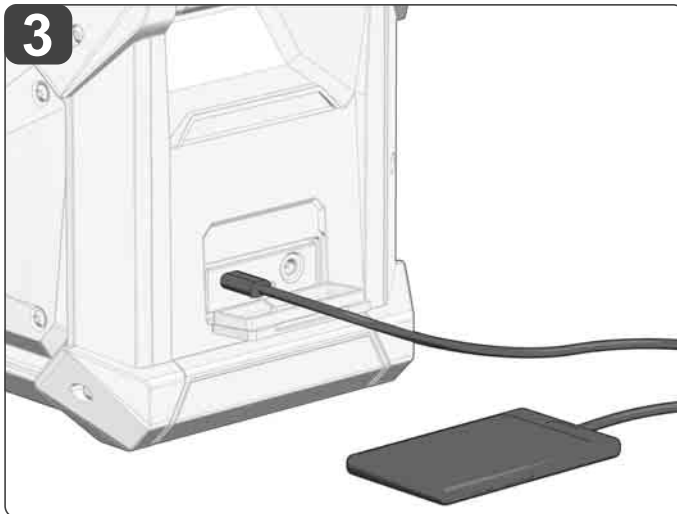
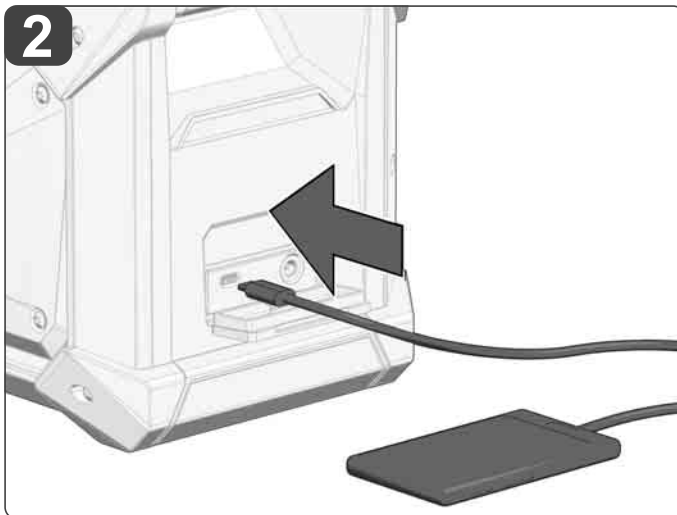
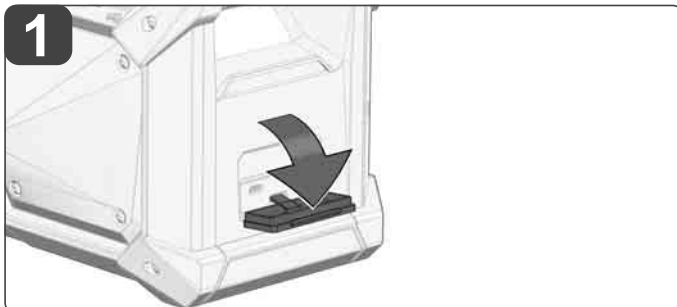


Batteries for backup when battery pack is removed.

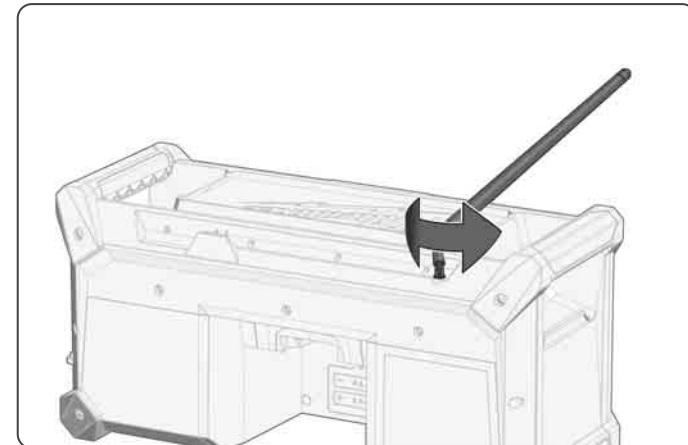
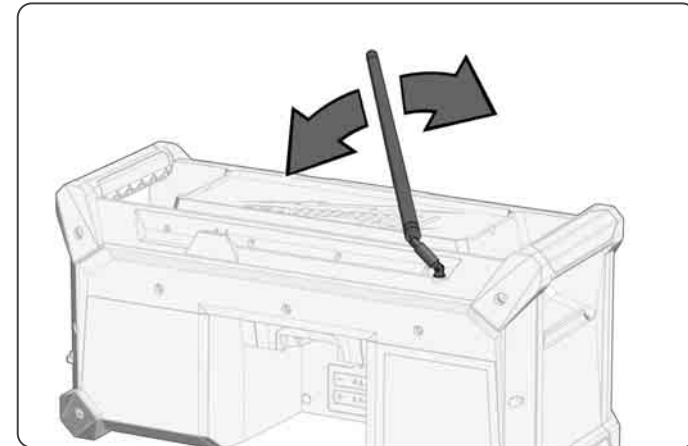
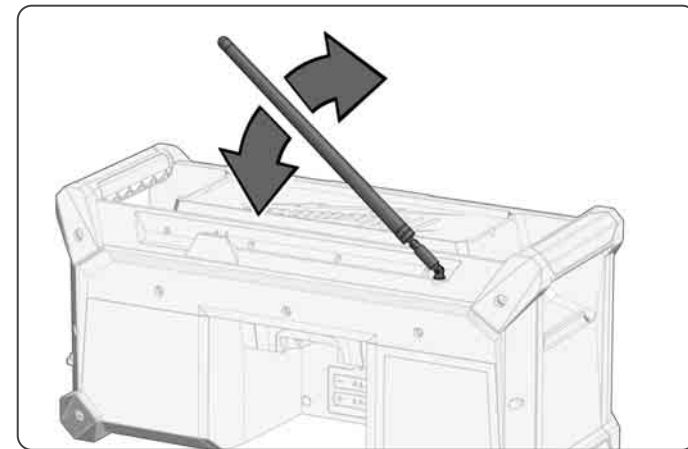




Devices connected to the USB port are supplied with power. Any device that uses more than 3 A of DC electrical current will trip a self-resetting function and disable the output. Charging when the battery is plugged in only when the radio is switched on. When connected to the mains, charging also when the radio is switched off.



Turn the antenna to different positions/directions for best radio reception. See also chapter "hints for good radio reception" in the text section.



TECHNICAL DATA	M18 RADDAB+G2
Type	Radio
AC/DC Adaptor input	100 - 240 V
AC/DC Adaptor output	18 V
Rated input	54 W
Battery Voltage	18 V ---
Tuning range AM	522 - 1620 kHz
Tuning range FM	87,5 - 108 MHz
Tuning range DAB+	174 - 240 MHz
USB output	5 V / 3 A
Protection class	IP40
Weight without packing and battery	3,9 kg
Bluetooth™ Version	5.1
Frequency band(s) of Bluetooth™	2.402 - 2.480 GHz
Maximum radio-frequency power transmitted in the frequency band(s)	-2.19 dBm
Recommended ambient operating temperature	-10...+40 °C
Recommended battery Type	M18...
Recommended charger	M18..., M12-18..., M1418...

⚠ WARNING Read all safety warnings, instructions, illustrations and specifications provided with this power tool. Failure to follow all instructions listed below may result in electric shock, fire and/or serious injury.

Save all warnings and instructions for future reference.

RADIO SAFETY WARNINGS

Never disassemble or modify this apparatus in any way.

Do not use this apparatus near water.

Clean only with dry cloth. Certain cleaning agents and solvents are harmful to plastics and other insulated parts. Keep the apparatus handle clean, dry and free of oil or grease.

Refer all servicing to qualified service personnel.

Do not install near any heat sources.

The ventilation should not be impeded by covering the ventilation openings with items, such as newspapers, table-cloths, curtains, etc.

No flame sources, such as lighted candles, should be placed on the apparatus.

It shall not be exposed to dripping or splashing and that no objects filled with liquids, such as vases, shall be placed on the apparatus.

Do not place the product in closed bookcases or racks without proper ventilation.

Where the mains plug is used as the disconnect device, the disconnect device shall remain readily operable.

Do not stand on unit.

Remove the battery pack before starting any work on the device.

SPECIFIED CONDITIONS OF USE

The radio is suitable for reception of digital broadcasting (DAB), analog broadcasting (AM/FM) and to connect to different devices via Bluetooth™. This radio is designed to withstand harsh operating environments as well as unintentional drops.

Via USB connection the radio can charge USB devices.

Do not use this product in any other way as stated for normal use.

MAINS CONNECTION

Connect only to single-phase AC current and only to the system voltage indicated on the rating plate. It is also possible to connect to sockets without an earthing contact as the design conforms to safety class II.

Electronic devices require a stable and consistent power supply. Do not operate the device on fluctuating power supplies, such as a generator.

BATTERIES

Do not dispose of used battery packs in the household refuse or by burning them. Milwaukee Distributors offer to retrieve old batteries to protect our environment.

Do not store the battery pack together with metal objects (short circuit risk).

Use only System M 18 chargers for charging System M 18 battery packs. Do not use battery packs from other systems.

Caution!

Risk of explosion if the battery is replaced by an incorrect type;

- high or low extreme temperatures that a battery can be subjected to during use, storage or transportation,
- low air pressure at high altitude,
- replacement of a battery with an incorrect type that can defeat a safeguard (for example in the case of some lithium battery types),
- disposal of a battery into fire or a hot oven, or mechanically crushing or cutting of a battery,
- or leaving a battery in an extremely high temperature surrounding environment that can result in an explosion or the leakage of flammable liquid or gas,
- or a battery subjected to extremely low air pressure that may result in an explosion or the leakage of flammable liquid or gas.


Never break open battery packs and chargers and store only in dry rooms. Keep dry at all times.

Battery acid may leak from damaged batteries under extreme load or extreme temperatures. In case of contact with battery acid wash it off immediately with soap and water. In case of eye contact rinse thoroughly for at least 10 minutes and immediately seek medical attention.

This appliance is not intended to be used or cleaned by persons with reduced physical, sensory or mental capabilities, or lack of experience or knowledge, unless they have been given instructions concerning the safe use of the appliance by a person legally responsible for their safety. They should be supervised whilst using the appliance. Children shall not use, clean or play with this appliance, which when not in use should be secured out of their reach.

Warning! To reduce the risk of fire, personal injury, and product damage due to a short circuit, never immerse your tool, battery pack or charger in fluid or allow a fluid to flow inside them. Corrosive or conductive fluids, such as seawater, certain industrial chemicals, and bleach or bleach containing products, etc., can cause a short circuit.

Low Battery Indicator:

When the radio is powered by a battery pack and its charge falls below 10%, the low battery indicator  is displayed.

Battery Pack Protection:

To protect the life of the battery pack, the radio will shut off when the battery's charge becomes too low. If this happens, plug radio charger to a mains connection and charge the battery pack.

Battery packs which have not been used for some time should be recharged before use.

Temperatures in excess of 50°C (122°F) reduce the performance of the battery pack. Avoid extended exposure to heat or sunshine (risk of overheating).

The contacts of chargers and battery packs must be kept clean.

For an optimum life-time, after use, the battery packs have to be fully charged.

NOTES FOR LI-ION BATTERIES

Use of Li-Ion batteries

Battery packs which have not been used for some time should be recharged before use.

Temperatures in excess of 50°C (122°F) reduce the performance of the battery pack. Avoid extended exposure to heat or sunshine (risk of overheating).

The contacts of chargers and battery packs must be kept clean.

For an optimum life-time, the battery packs have to be fully charged, after used.

To obtain the longest possible battery life remove the battery pack from the charger once it is fully charged.

For battery pack storage longer than 30 days:

Store the battery pack where the temperature is below 27°C and away from moisture

Store the battery packs in a 30% - 50% charged condition

Every six months of storage, charge the pack as normal.

Transport of Lithium batteries

Lithium-ion batteries are subject to the Dangerous Goods Legislation requirements.

Transportation of those batteries has to be done in accordance with local, national and international provisions and regulations.

- The user can transport the batteries by road without further requirements.
- Commercial transport of Lithium-Ion batteries by third parties is subject to Dangerous Goods regulations. Transport preparation and transport are exclusively to be carried out by appropriately trained persons and the process has to be accompanied by corresponding experts.

When transporting batteries:

- Ensure that battery contact terminals are protected and insulated to prevent short circuit.
- Ensure that battery pack is secured against movement within packaging.
- Do not transport batteries that are cracked or leak.

Check with forwarding company for further advice.

BUTTONS



- Power on
- Power off



- entering Bluetooth™ mode directly



- cycle between DAB, FM, AM



- enter menu - press and hold
- select menus
- cycle trough presets in DAB, AM or FM mode



- display time
- setting time - press and hold



- adjust bass and treble



- play / pause
- seek




- tuning in AM or FM mode
- seeking in AM or FM mode - press and hold
- selecting in DAB mode next station
- skipping in Bluetooth™ mode
- cycle between menu items



- Volume



Turning On/Off


Press the power button  to turn the radio on and off. The radio station (frequency) is displayed.

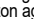
Clock

Press and hold the  button until the hour begins to flash.







Use the  buttons to change the hour.

Press the  button again.

Use the  to change the minutes.

Press the  button again to save.

EQ Adjustment


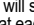
To manually adjust the Bass/Treble sound, press the  button. Set the bass sound by using the   buttons. Press the  button again to set the treble sound by using the   buttons.

Selecting Band (DAB/AM/FM)

Push the **MODE** button to cycle trough DAB, AM or FM.

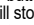
Tuning AM/FM (Seeking and Scanning)

Choose AM or FM by the **MODE** button.

Press and hold the  buttons to seek through the band. When a station is found, the seek will stop. Use the  buttons to continue through the stations, pausing at each.

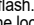
Tuning DAB (Seeking and Scanning)

Choose DAB by the **MODE** button.

Hold the **PRESET** button and then select auto scan. When a station is found, the seek will stop. Use the  buttons to continue through the stations, pausing at each.

Set preset stations

Tune to desired station.

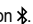
Press and hold the **PRESET** button until the preset indicator on the display begins to flash. Use the  buttons to select the preset location for the station. Nine locations (1-9) are available.

Press the **PRESET** button to save the location.

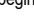
Tune a preset station:

Press and release the **PRESET** button to step through the preset stations.

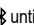

Bluetooth™

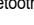
To enter the Bluetooth™ mode, press the the Bluetooth™ button .

Pairing


If no Bluetooth™ device is connected, Bluetooth™ pairing will begin automatically and the icon  will flash on the display.

The radio will continue to search for a signal for 3 minutes.


To manually pair a device, press and hold Bluetooth™ button  until the icon  begins to flash.

While the  is flashing, select "M18 Jobsite Radio" on the Bluetooth™ capable device.

On some devices you may need to enter PIN "0000".

Once the device has successfully paired with the radio, the  will be shown on the radio's display.

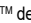

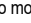
Connecting

Press the Bluetooth™ button .

When the radio locates a paired Bluetooth™ device, the name of the device will be shown on the radio's display.

If connection is lost between the radio and the Bluetooth™ device, the radio will try to reconnect automatically for up to 3 minutes.

Controlling

When streaming music through to the radio via a Bluetooth™ device, use the button  to start and pause the music. Use the  and  to move through the tracks.

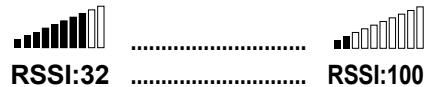
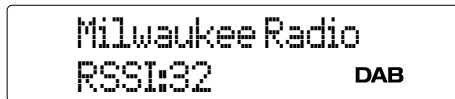
HINTS FOR GOOD RADIO RECEPTION

Place the radio close to the window, walls can reduce the radio signal.

Do not place the radio near interfering frequencies (computers, microwaves).

Turn the antenna to different positions/directions.

The field strength display makes it easier to find an optimum position in the room or the best antenna setting. To do this, hold PRESET, choose display information, and then select strength. The field strength is displayed in the bottom line (see illustration). Then position the radio until as many bars of the field strength display as possible are shown.
















MAINTENANCE

Use only Milwaukee accessories and Milwaukee spare parts. Should components need to be replaced which have not been described, please contact one of our Milwaukee service agents (see our list of guarantee/service addresses).

If needed, an exploded view of the tool can be ordered. Please state the machine type printed as well as the six-digit No. on the label and order the drawing at your local service agents or directly at: Techtronic Industries GmbH, Max-Eyth-Straße 10, 71364 Winnenden, Germany.

SYMBOLS

	Please read the instructions carefully before starting the machine.
	CAUTION! WARNING! DANGER!
	Remove the battery pack before starting any work on the machine.
	Protection class III
	This tool is only suitable for indoor use. Never expose tool to rain.
	Do not burn used battery packs.
	Never charge a damaged battery pack. Replace by a new one.
IP40	Protection class
	Do not dispose of waste batteries, waste electrical and electronic equipment as unsorted municipal waste. Waste batteries and waste electrical and electronic equipment must be collected separately. Waste batteries, waste accumulators and light sources have to be removed from equipment. Check with your local authority or retailer for recycling advice and collection point. According to local regulations retailers may have an obligation to take back waste batteries and Waste electrical and electronic equipment free of charge. Your contribution to re-use and recycling of waste batteries and waste electrical and electronic equipment helps to reduce the demand of raw materials. Waste batteries, in particular containing lithium and waste Electrical and electronic equipment contain valuable, recyclable materials, which can adversely impact the environment and the human health, if not disposed of in an environmentally compatible manner. Delete personal data from waste equipment, if any.
V	Voltage
	Direct Current
	European Conformity Mark
	British Conformity Mark
	Ukraine Conformity Mark
	EurAsian Conformity Mark

EC DECLARATION OF CONFORMITY

Hereby, Techtronic Industries GmbH declares that the radio equipment type M18 RADDAB+G2 is in compliance with Directive 2014/53/EU. The full text of the EU declaration of conformity is available at the following internet address: <http://services.milwaukeeetool.eu>

GB-DECLARATION OF CONFORMITY

Hereby, Techtronic Industries GmbH declares that the radio equipment type M18 RADDAB+G2 is in compliance with Directive S.I. 2017/1206 (as amended). The full text of the EU declaration of conformity is available at the following internet address: <http://services.milwaukeeetool.eu>

Copyright 2025

Techtronic Industries GmbH
Max-Eyth-Str. 10
71364 Winnenden
Germany

+49 (0) 7195-12-0

www.milwaukeeetool.eu

Techtronic Industries (UK) Ltd
Parkway
Marlow SL7 1YL
UK

(09.25)

4100 4709 55