

**Milwaukee**<sup>®</sup>

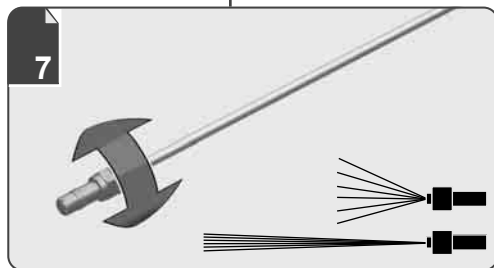
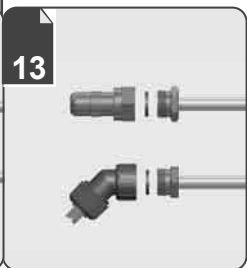
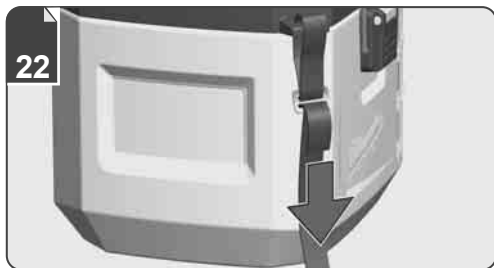
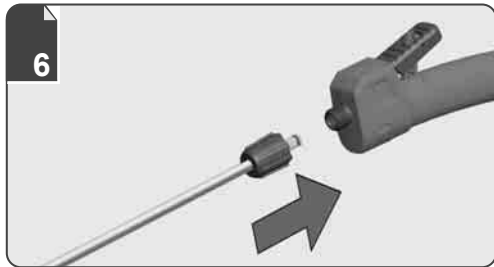
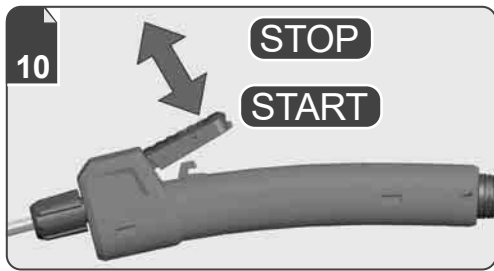
Nothing but **HEAVY DUTY**.<sup>®</sup>



## **M12 BHCS3L**

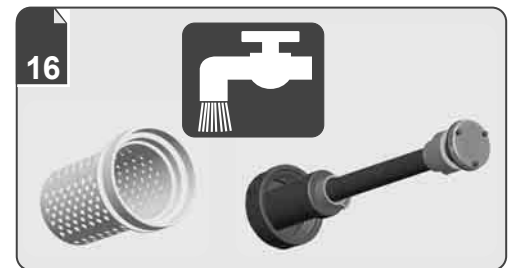
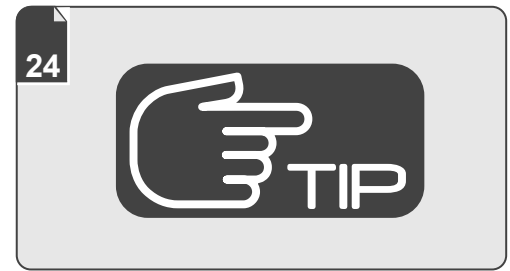
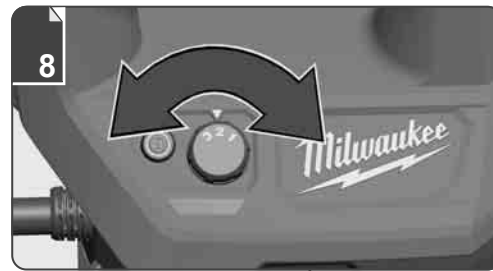
---

Original instructions



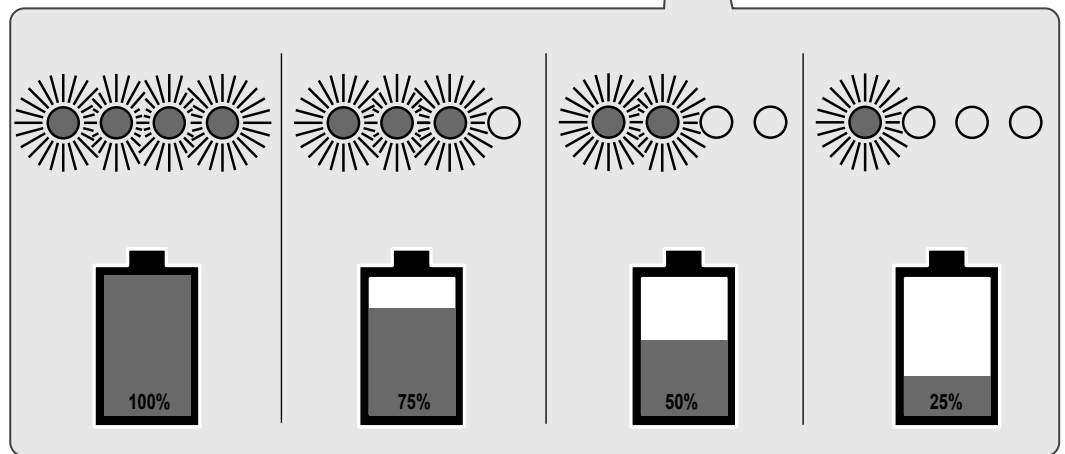
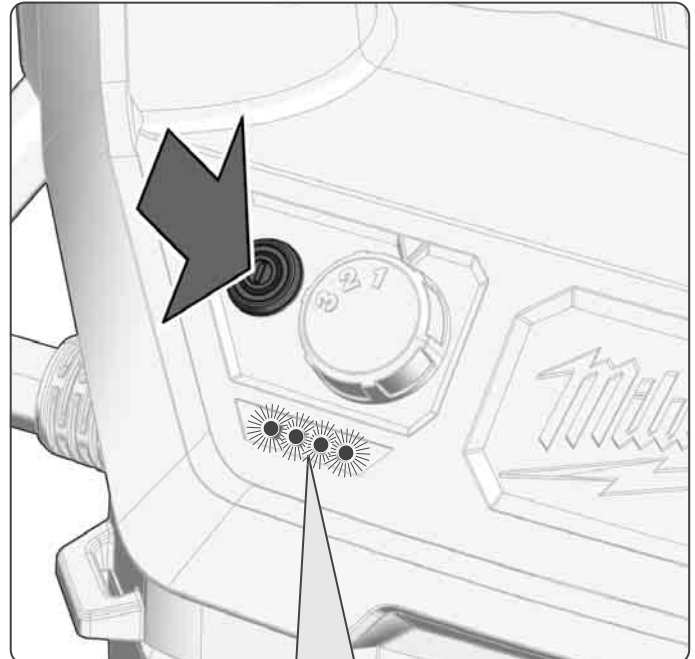
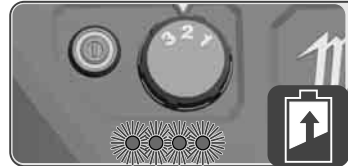
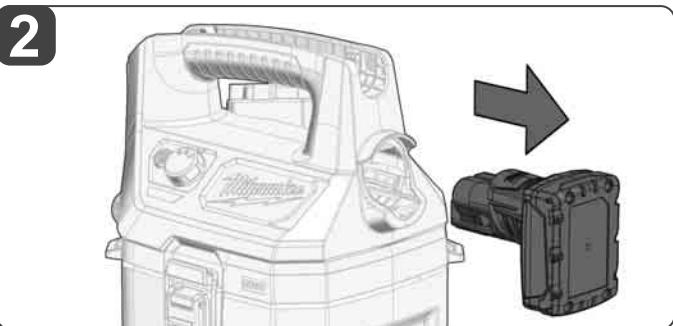
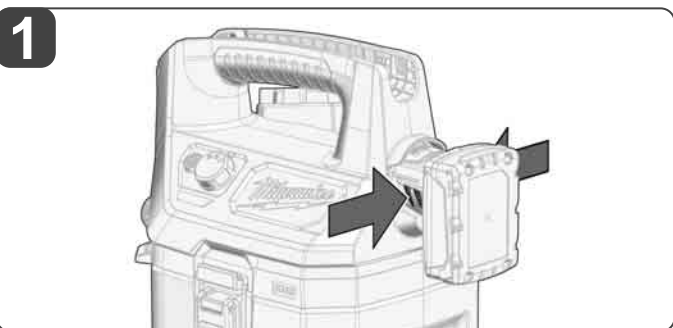
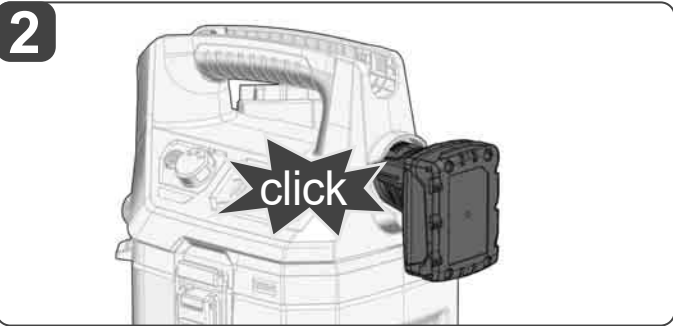
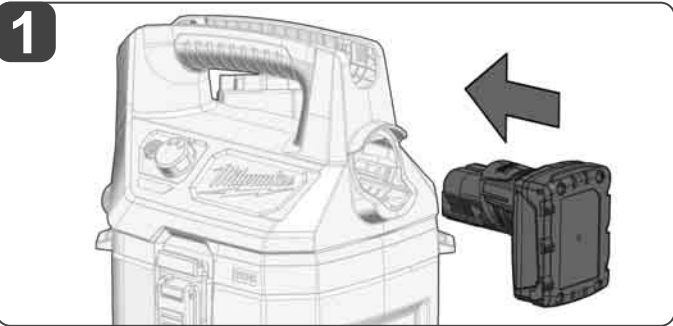
26

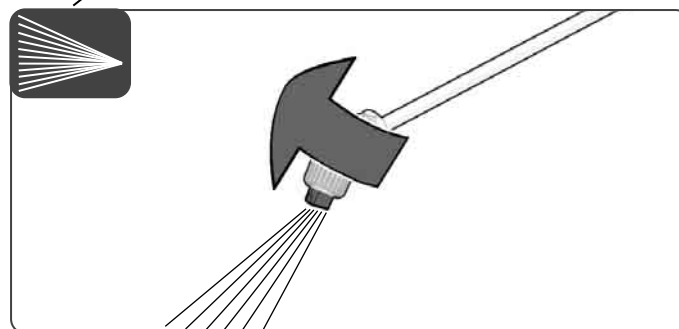
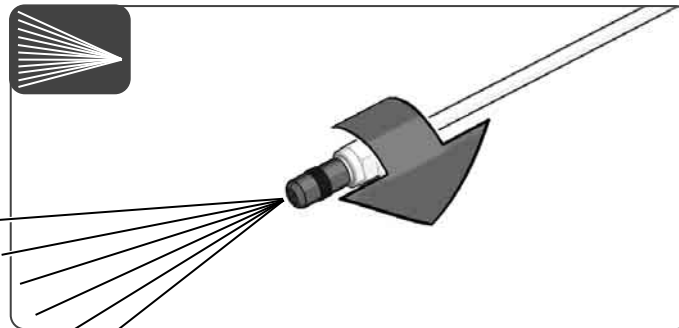
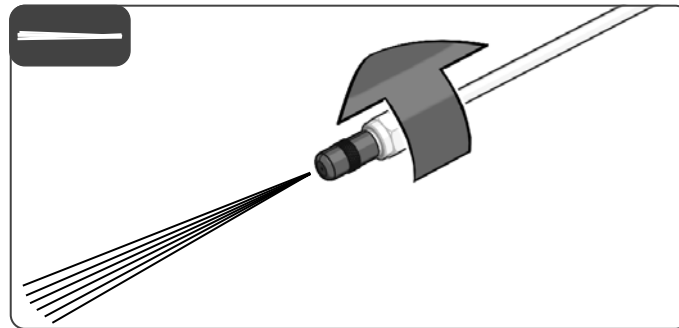
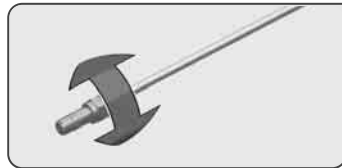
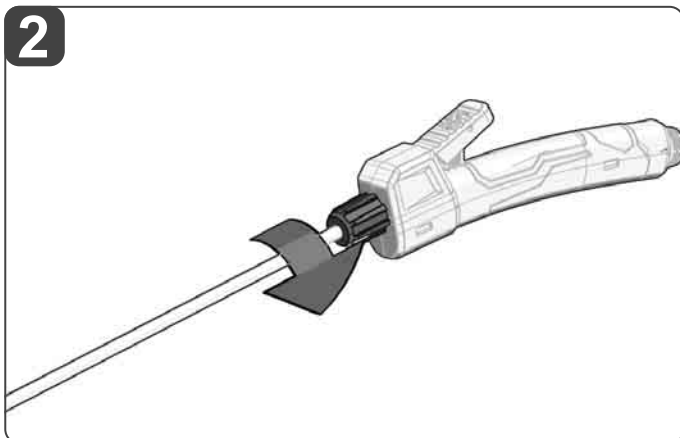
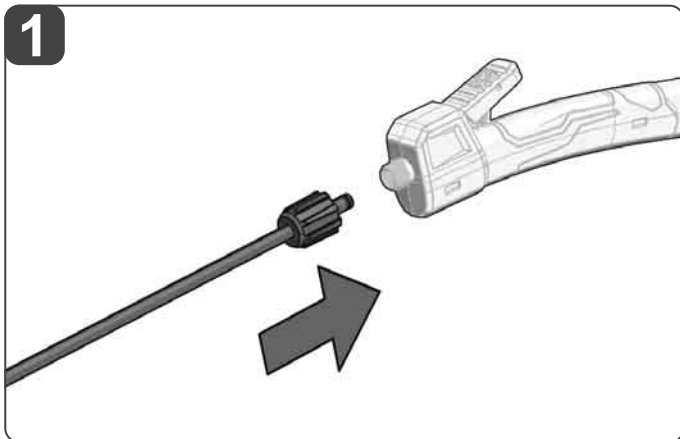
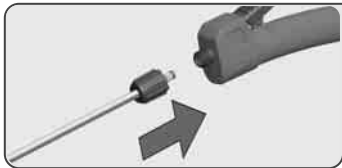
Text section with Technical Data, important Safety and Working Hints and description of Symbols

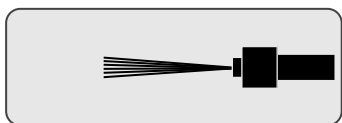
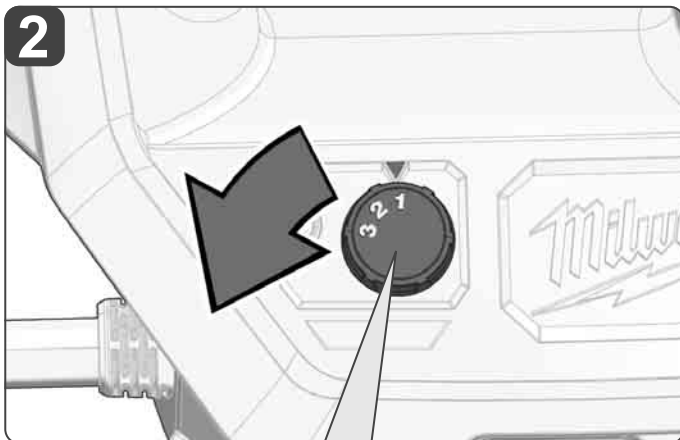
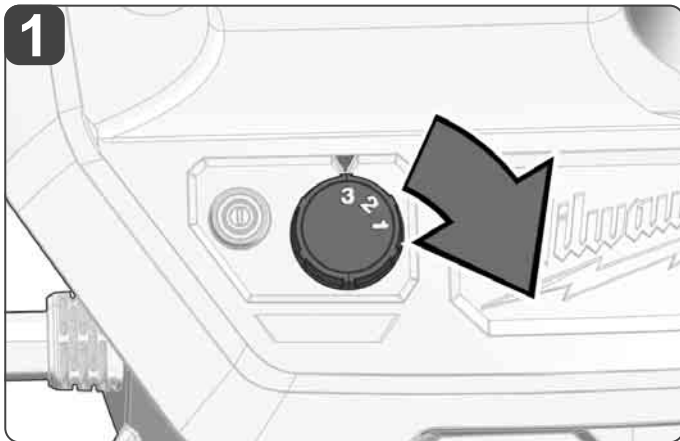
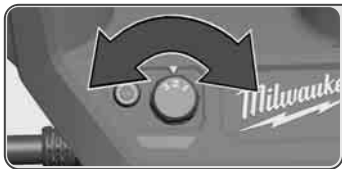




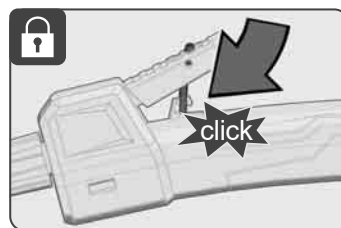
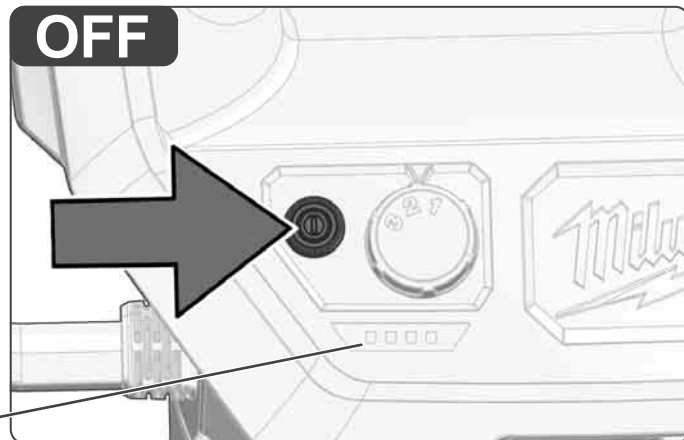
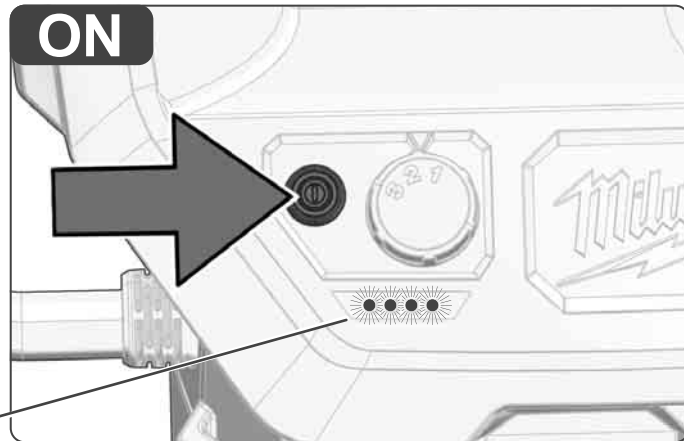
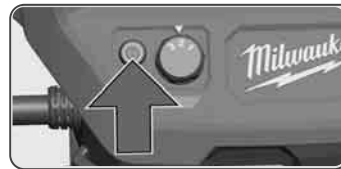
Remove the battery pack before starting any work on the machine.

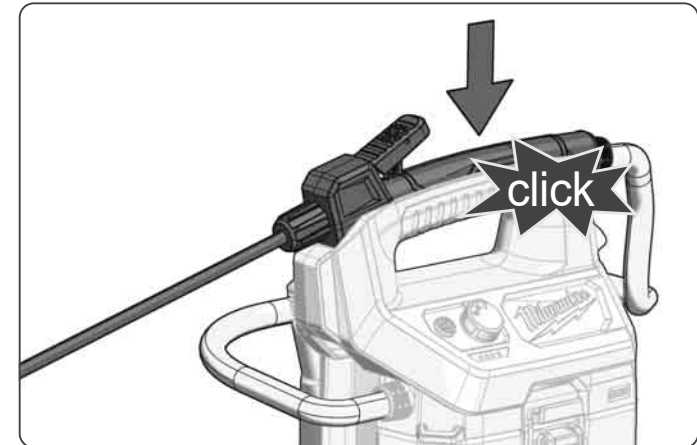
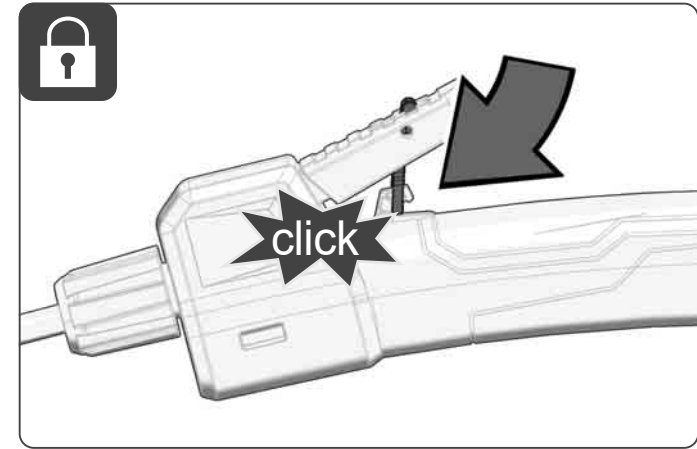
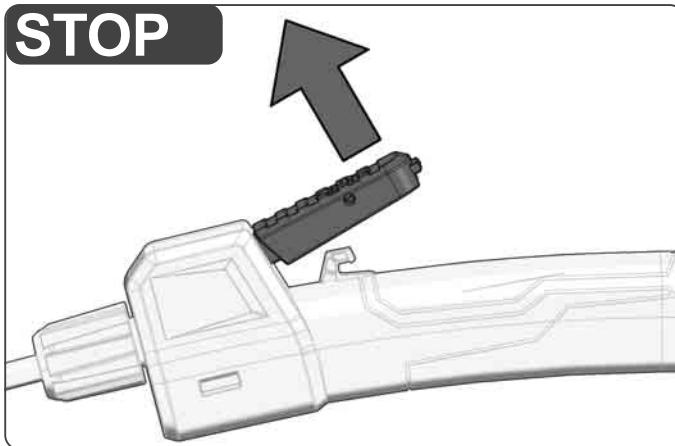
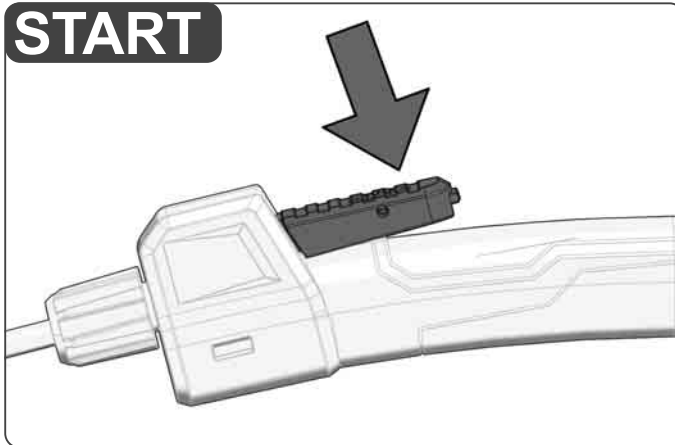
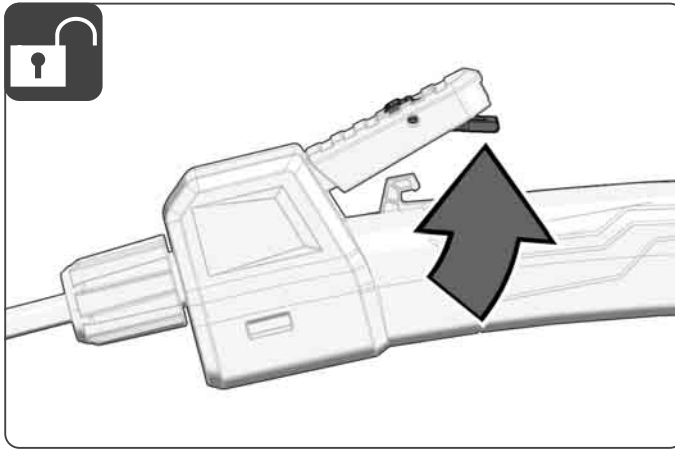
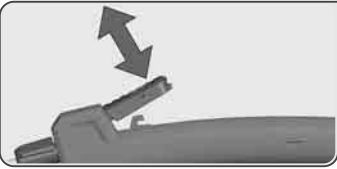


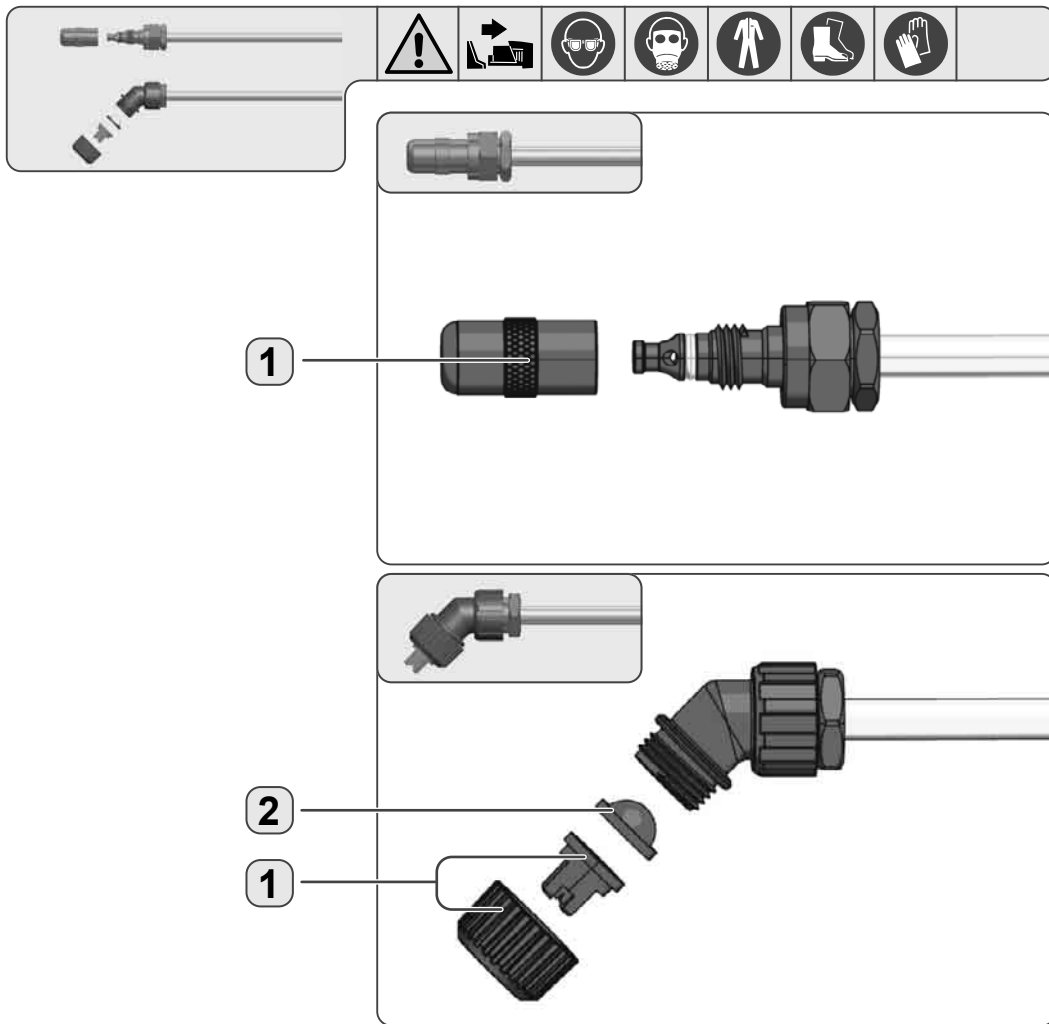




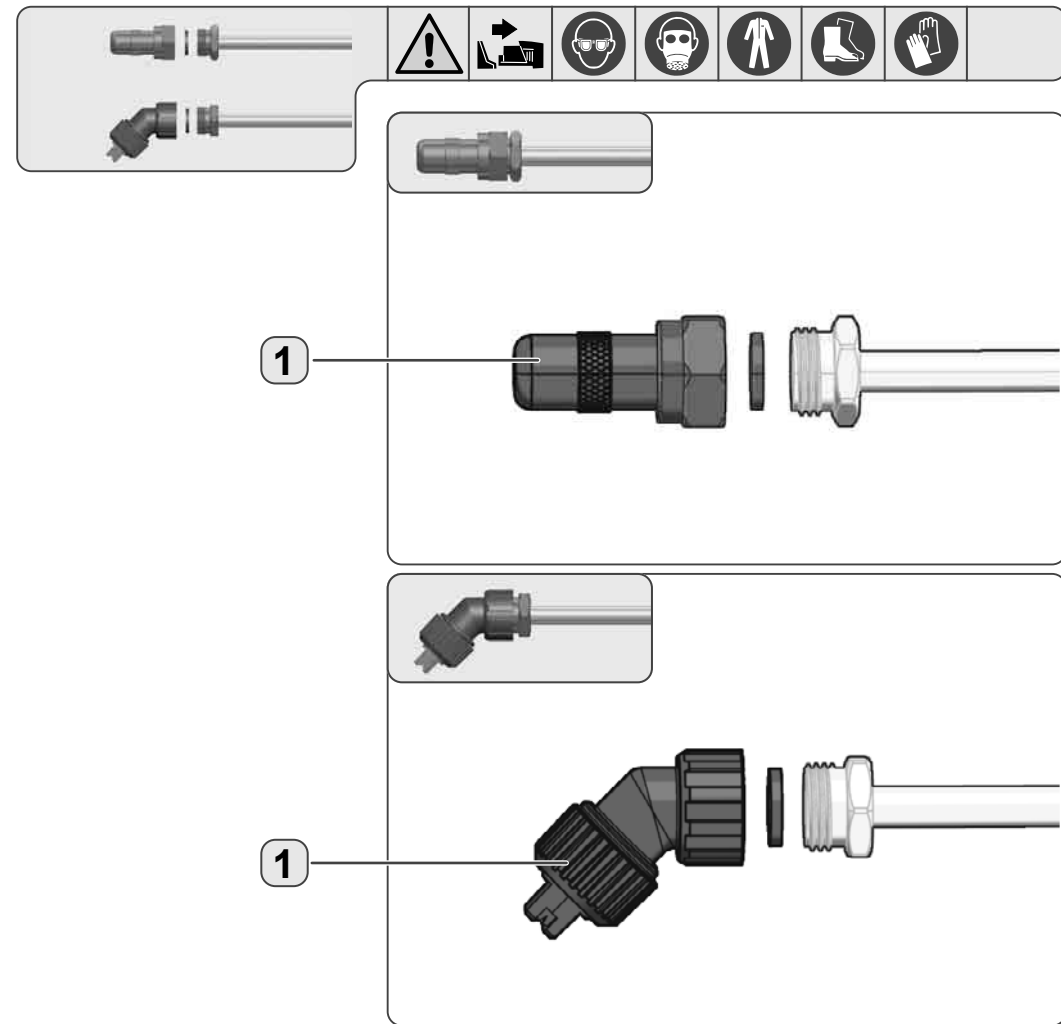
	l/min	l/min
1	0,38	0,38
2	0,76	0,76
3	1,14	1,14



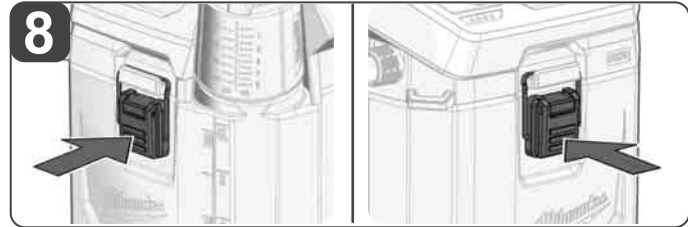
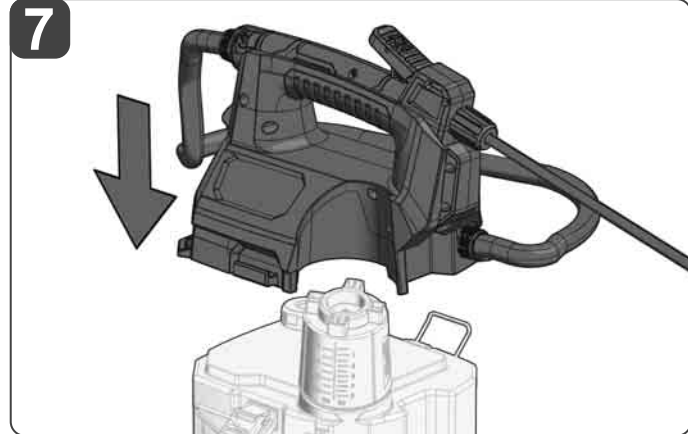
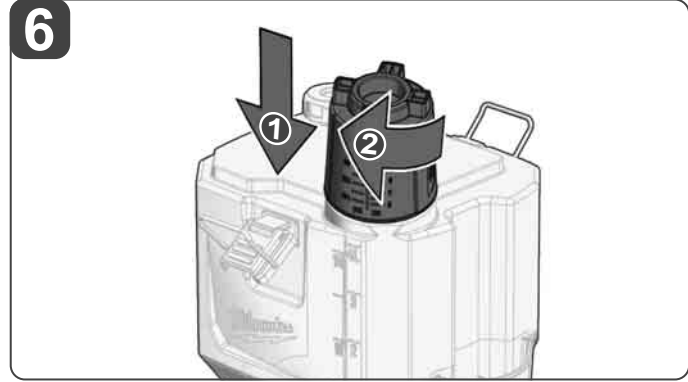
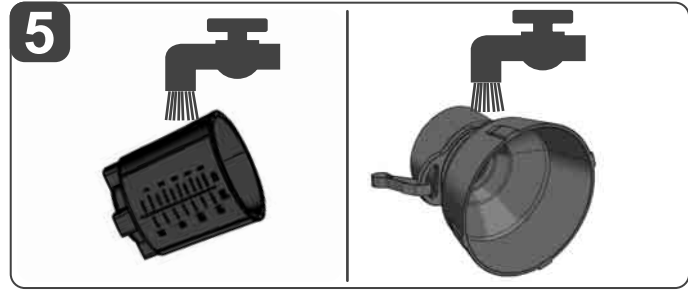
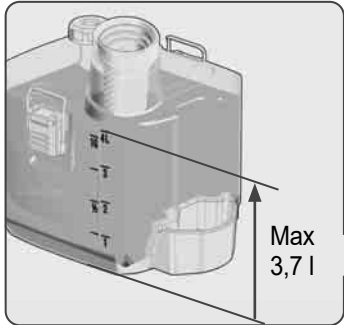
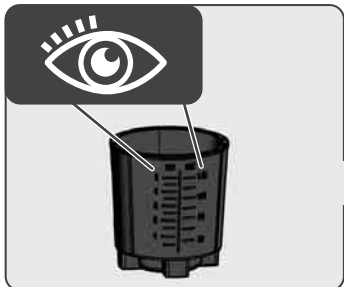
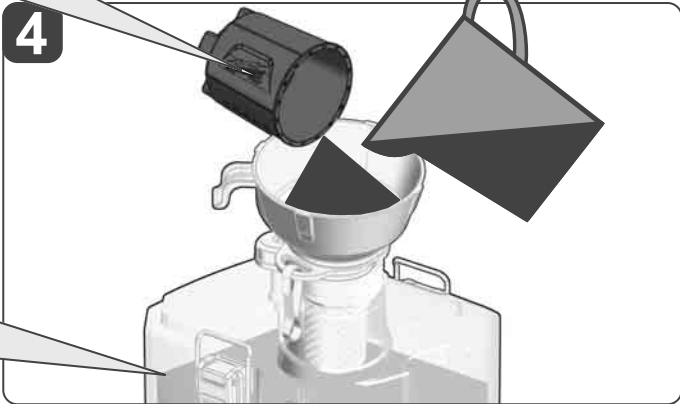
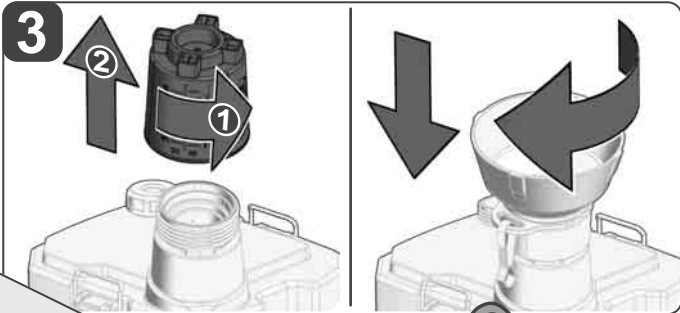
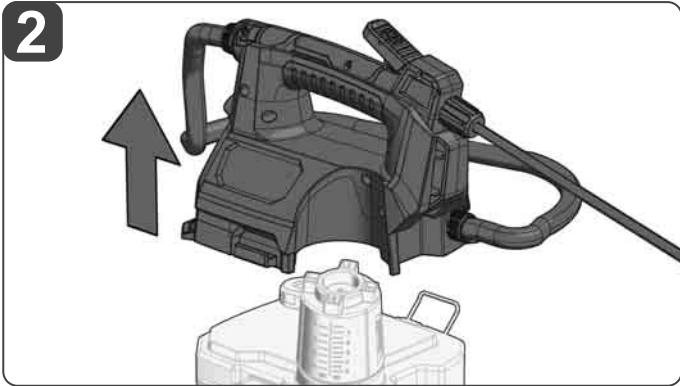
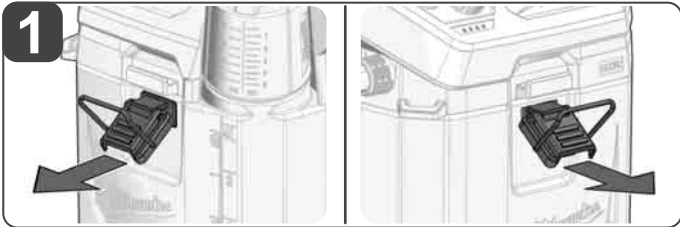




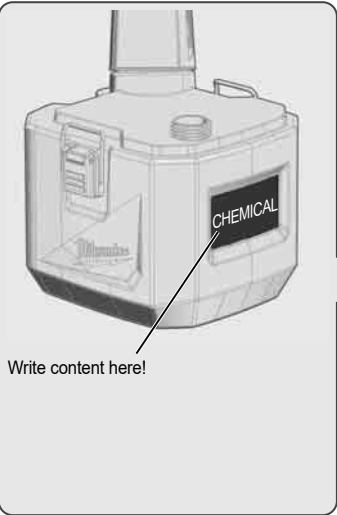
Remove nozzle (1) counterclockwise by hand.  
 Clean nozzle (1) and filter (2) after each use.  
 Insert filter (2) and mount nozzle clockwise by hand.



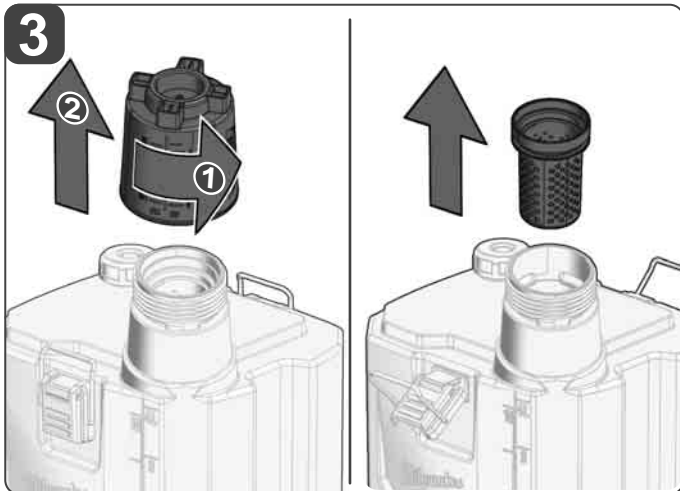
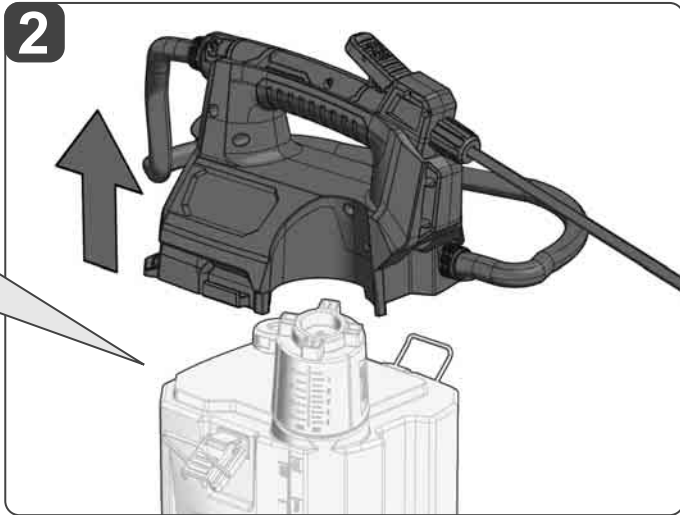
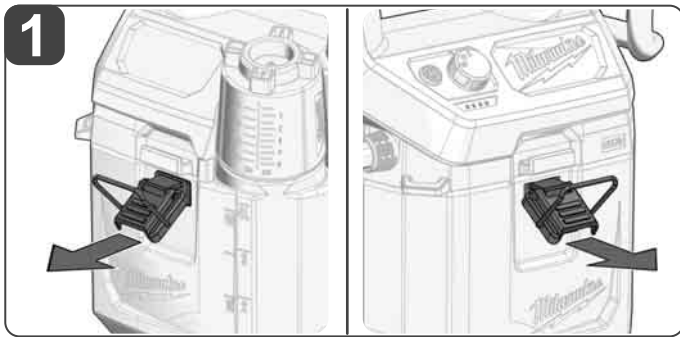
Remove nozzle attachment (1) counterclockwise by hand.  
 Nozzle attachments are available as spare parts.  
 See [www.milwaukeetool.eu](http://www.milwaukeetool.eu).  
 Mount nozzle attachment (1) clockwise by hand.



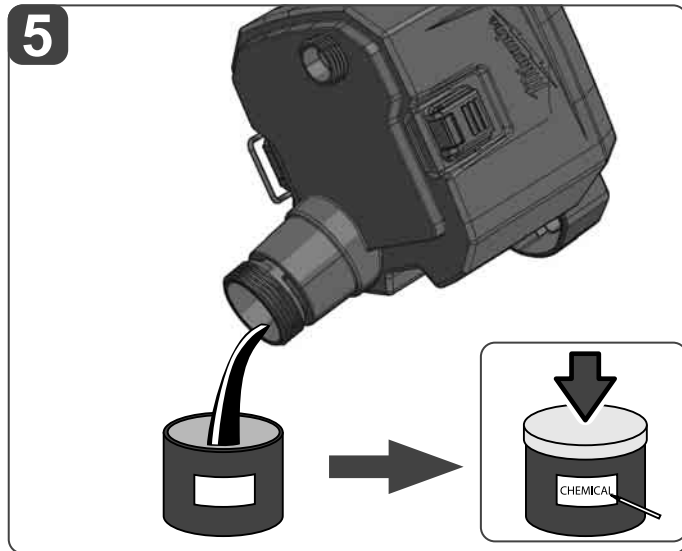
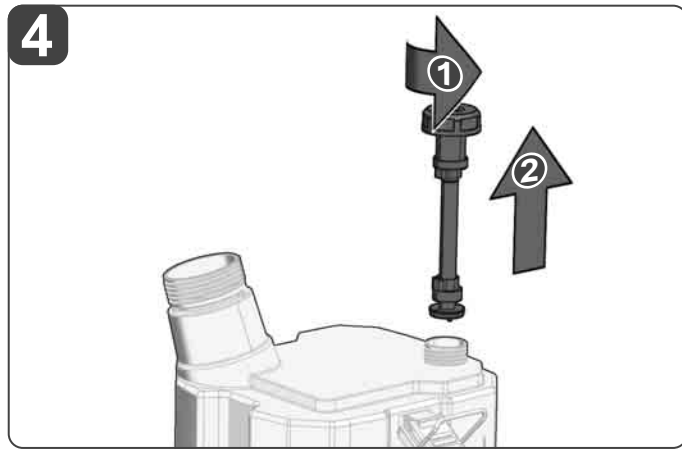


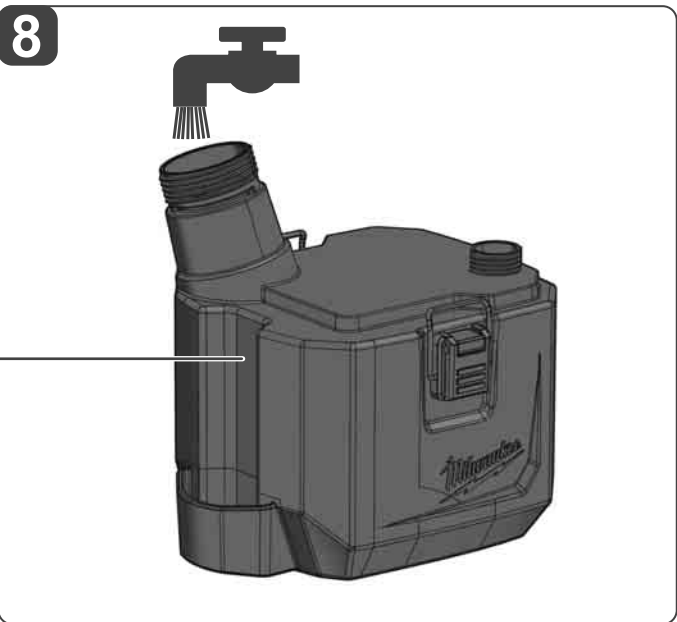
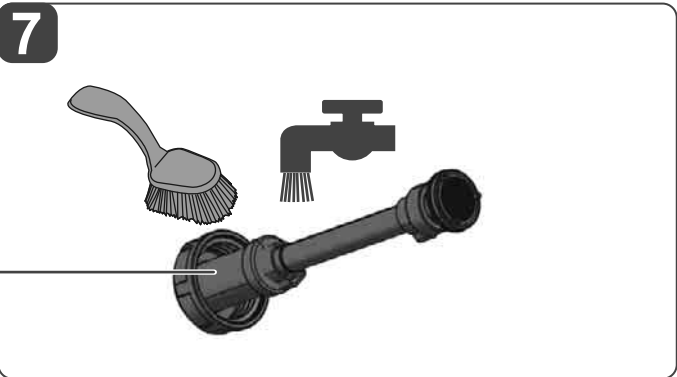
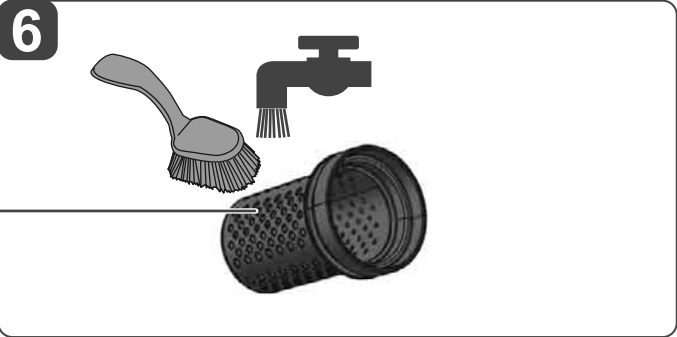


Write content here!

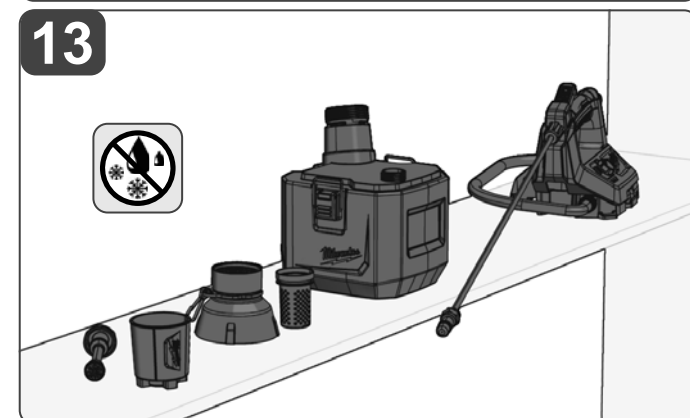
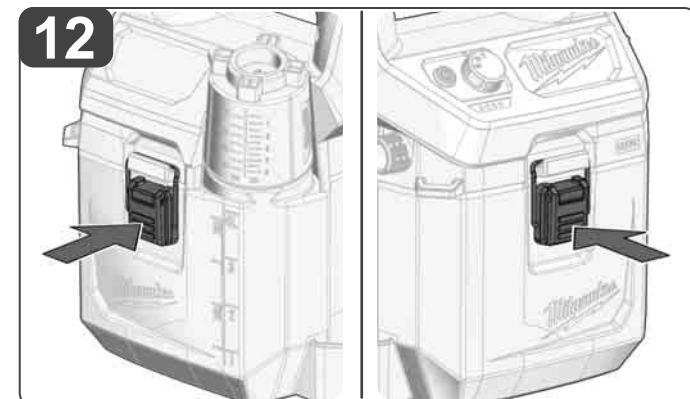
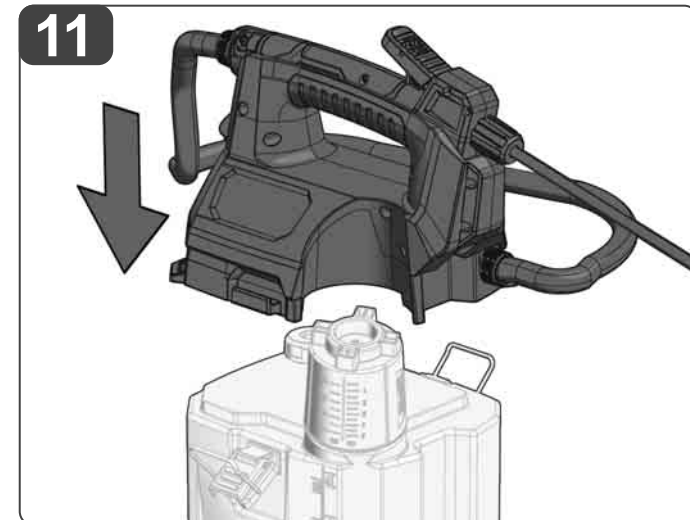
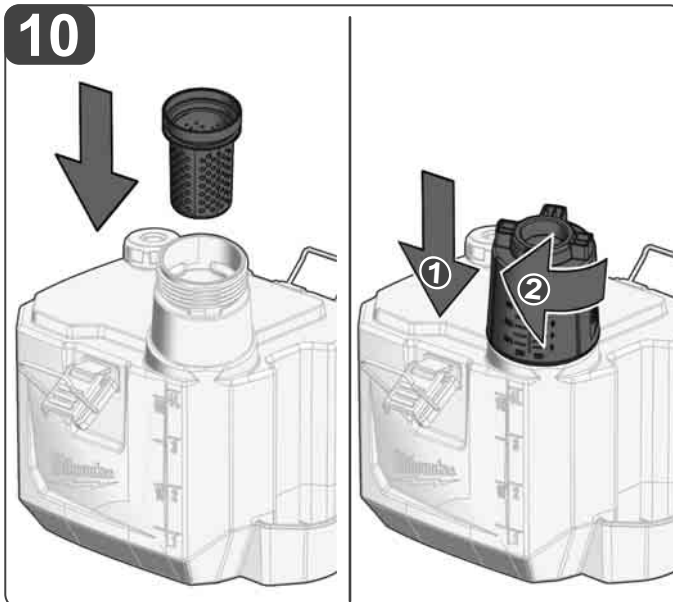
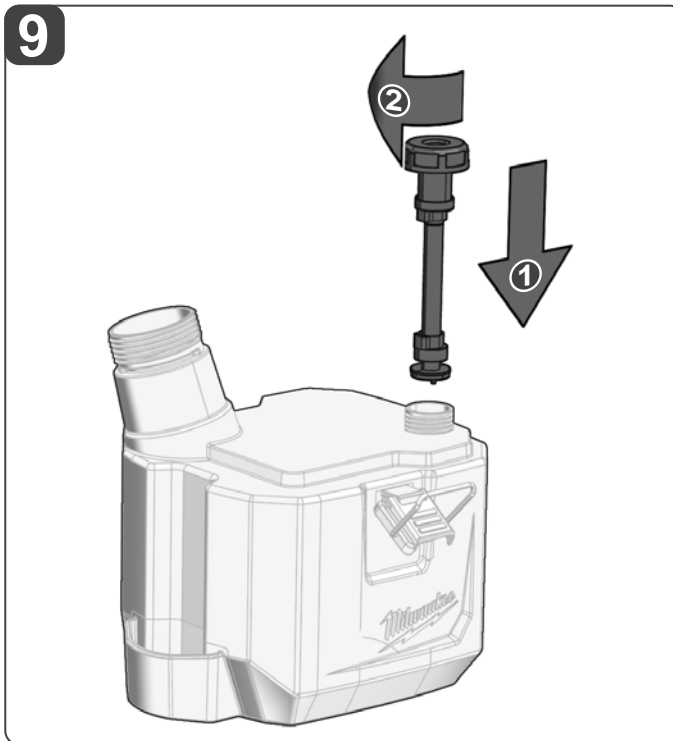


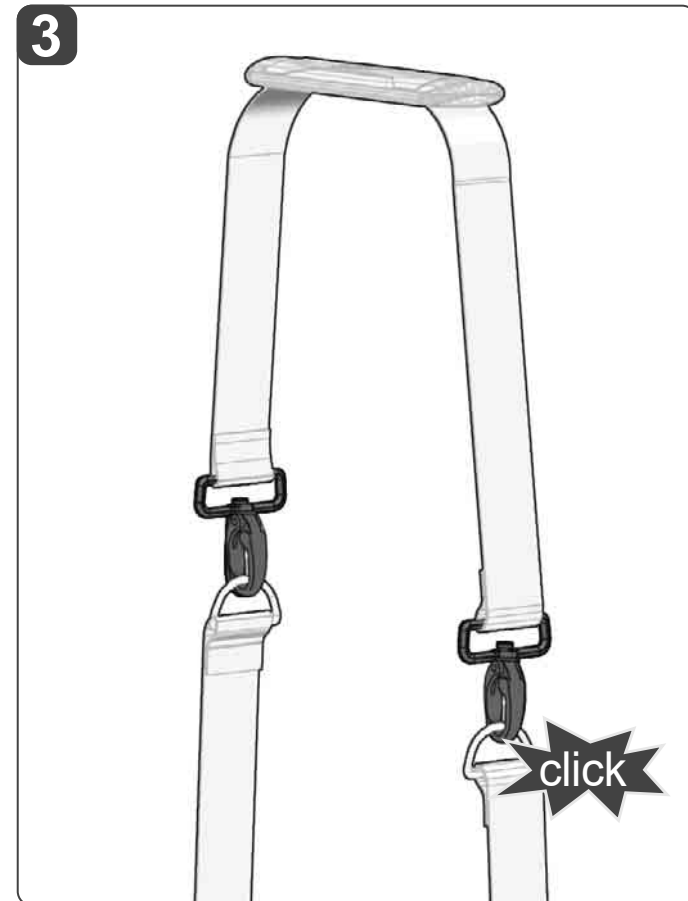
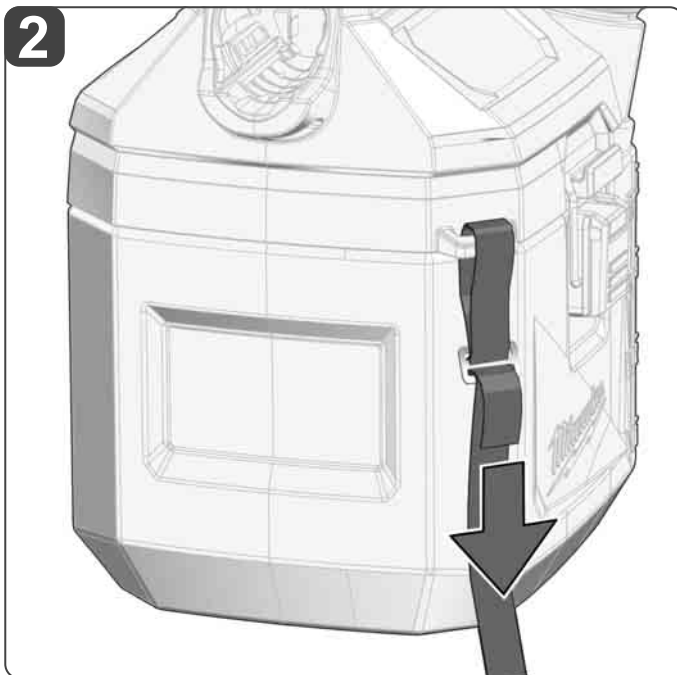
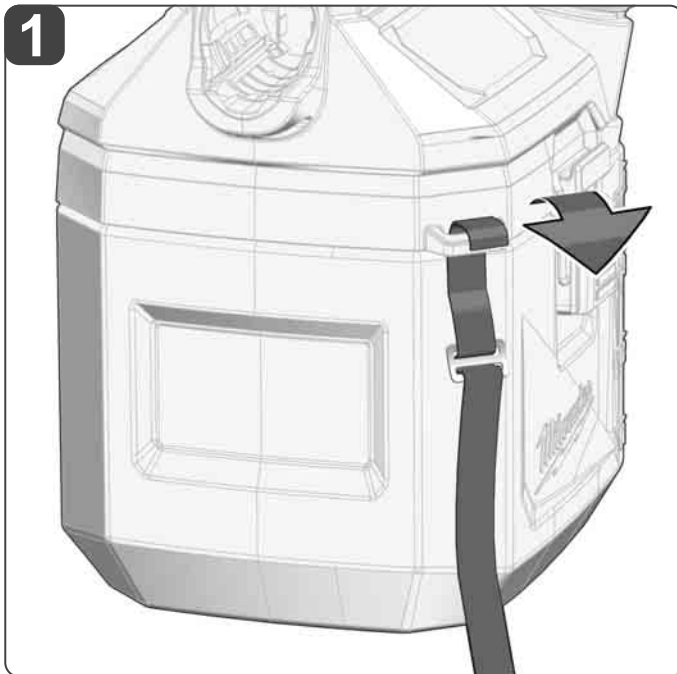
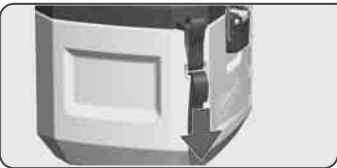
Only fill residual liquid in an original container or a designated container. National and local regulations must be observed.





Clean filter (1), filter (2) and tank (3) after each use.  
Filters are available as spare parts.  
See [www.milwaukeeeetool.eu](http://www.milwaukeeeetool.eu).







TECHNICAL DATA	M12 BHCS3L
Type	Handheld Chemical Sprayer
Production code	4914 65 01 XXXXXX MJJJJ
Battery voltage	12 V ---
Tank capacity	3,7 l
Flow rate 1 / 2 / 3	0,38 / 0,76 / 1,14 l/min
Spray distance	5,2 m
Max working pressure	5,51 bar / 551 kPa
Residual tank	40 ml
Mesh size filler filter	Ø 1,7 mm x 248
Mesh size suction filter	Ø 0,3 mm x 460
Weight base unit	2,87 kg
Empty weight (including baseunit, tank, battery 2.0 ... 6.0 Ah)	3,3 ... 3,5 kg
Operation weight (including 3,7 l fluid at 20 °C with battery 2.0)	7,0 kg
Recommended ambient operating temperature	0...+51 °C
Recommended battery types	M12B...
Recommended charger	C12C; M12-18...; M12C4; M12TC

#### Noise Information:

Measured values determined according to EN 62841.

Typically, the A-weighted noise levels of the tool are:

Sound pressure level / Uncertainty K

57 dB(A) / 3 dB(A)

Sound power level / Uncertainty K

68 dB(A) / 3 dB(A)

#### Wear ear protectors.

#### Vibration Information:

Total vibration values (vector sum in the three axes) determined according to EN 62841.

Vibration emission value  $a_h$  / Uncertainty K

0,289 m/s<sup>2</sup> / 1,5 m/s<sup>2</sup>

## WARNING

The vibration and noise emission level given in this information sheet has been measured in accordance with a standardized test given in EN 62841 and may be used to compare one tool with another. It may be used for a preliminary assessment of exposure.

The declared vibration and noise emission level represents the main applications of the tool. However if the tool is used for different applications, with different accessories or poorly maintained, the vibration and noise emission may differ. This may significantly increase the exposure level over the total working period.

An estimation of the level of exposure to vibration and noise should also take into account the times when the tool is switched off or when it is running but not actually doing the job. This may significantly reduce the exposure level over the total working period.

Identify additional safety measures to protect the operator from the effects of vibration and/or noise such as: maintain the tool and the accessories, keep the hands warm, organization of work patterns.

## WARNING! Read all safety warnings, instructions, illustrations and specifications provided with this power tool.

Failure to follow all instructions listed below may result in electric shock, fire and/or serious injury.

Save all warnings and instructions for future reference.

### HANDHELD CHEMICAL SPRAYER SAFETY WARNINGS

Do not spray flammable liquids, such as gasoline, to reduce the risk of fire or explosion.

Always follow the chemical manufacturer's instructions printed on their product labeling for use, cleaning, and storage. Chemicals should be stored out of the reach of children.

Do not spray any material where the hazard is not known.

To reduce exposure to spray materials, wear approved safety equipment, such as face mask designed for spraying, gloves, and other appropriate protective equipment.

Do not use flammable solvents or abrasive cleaning agents to clean the product.

Keep spray materials away from eyes. If spray materials come in contact with the eyes, wash them immediately with clean water. If irritation is still present, immediately seek medical help.

During filling and emptying power unit needs to be removed from the tank.

### ADDITIONAL SAFETY AND WORKING INSTRUCTIONS

Be aware of any hazards presented by the material being sprayed and instruction to consult the markings on the container or the information supplied by the manufacturer of the material to be sprayed.

Keep the area clear of all bystanders, children, and pets while spraying.

Ensure that the spray wand is securely connected to the spray wand handle before using the product. If necessary, use pliers to attach the spray wand to the spray wand handle.

Remember to properly replace and tighten the spray tank cover after pouring liquid into the spray tank.

Use only consumer-grade water-based lawn and garden chemicals.

Do not use commercial-grade chemicals or chemicals for commercial or industrial purposes.

Do not use caustic (alkali) self-heating or corrosive (acid) liquids with the product. These can corrode metal parts or weaken the tank and hose.

Do not leave residue or spray material in the spray tank after using the product. Clean after each use.

Do not pour hot or boiling liquids into the spray tank. These can weaken or damage the hose or spray tank.

Do not overfill the tank.

Always check for leaks. If any are found, correct them before using the product.

The spray area must be well ventilated.

Always inspect both the inside and outside of the product before each use.

Liquids to be sprayed must be as thin as water. Thicker liquids will not spray properly.

Spray materials may be premixed and poured into the spray tank using a funnel.

Do not spray where spark, flame, or other source of ignition is present.

Do not spray in the direction of people or animals. Always spray downwind.

Do not smoke, eat, or drink while using the product.

Do not discharge directly against skin.

Do not let the spray materials come in contact with skin. If contact does occur, wash immediately with soap and plenty of water.

Aim the nozzle directly at the plants or objects you intend to spray.

Ensure that the spray materials are directed at an area that will not be damaged by the spray materials.

Avoid spraying on windy days. The spray materials can be accidentally blown onto plants or objects that should not be sprayed.

The product may be operated with the spray wand handle resting in the cradle, or may be removed from the cradle and held by the operator.

Electric shock hazard. Do not spray towards electrical outlets.

After every use, thoroughly wash your hands and any area where skin has been exposed to the spray.

Maintain the product. Thoroughly inspect both the inside and outside of the product and examine the components before each use. Check for cracked and deteriorated hoses, leaks, clogged nozzles, and missing or damaged parts. If damaged, have the product repaired before use. Many accidents are caused by poorly maintained products.

Wear personal protective equipment (PPE) according to the chemical manufacturers instructions.

Remove the battery from the product before draining, cleaning, or storing to avoid accidental starting.

Mix the chemicals strictly in accordance with the manufacturer's instructions. Incorrect mixtures may produce toxic fumes or explosive solutions.

Never allow children, persons with reduced physical, sensory or mental capabilities or lack of experience and knowledge or people unfamiliar with these instructions to use the machine, local regulations may restrict the age of the operator.

Remove the battery pack before starting any work on the machine.

Do not dispose of used battery packs in the household refuse or by burning them. Milwaukee Distributors offer to retrieve old batteries to protect our environment.

Do not store the battery pack together with metal objects (short circuit risk).

Use only System M12 chargers for charging System M12 battery packs. Do not use battery packs from other systems.

Battery acid may leak from damaged batteries under extreme load or extreme temperatures. In case of contact with battery acid wash it off immediately with soap and water. In case of eye contact rinse

thoroughly for at least 10 minutes and immediately seek medical attention.

**Warning!** To reduce the risk of fire, personal injury, and product damage due to a short circuit, never immerse your tool, battery pack or charger in fluid or allow a fluid to flow inside them. Corrosive or conductive fluids, such as seawater, certain industrial chemicals, and bleach or bleach containing products, etc., can cause a short circuit.


### SPECIFIED CONDITIONS OF USE

The handheld chemical sprayer is intended for outdoor use in a well-ventilated area.

The sprayer is designed for spraying consumer-grade home and garden chemicals such as:

- Pesticides
- Selective Herbicides
- Non-Selective Herbicides
- Insecticides
- Fungicides
- Fertilizers
- Plant Protection Treatments

This sprayer shall be used only with plant protection products approved by local/national regulatory authorities for plant protection products.

 Do not use the sprayer with flammable liquids.

Use only substances approved for use with portable sprayers.

Do not use this product in any other way as stated for normal use.

### RESIDUAL RISKS

Even when the product is used as prescribed, it is still impossible to completely eliminate certain residual risk factors. The following hazards may arise and the operator should pay special attention to avoid the following:

Electric shock. Never spray liquid towards electrical sockets, cables, or appliances.

Contact with hazardous substances. Spray materials may be harmful if inhaled, ingested, or comes in contact with skin or eyes. Follow instructions carefully and wear appropriate protective equipment as prescribed in this manual.

## NOTES FOR LI-ION BATTERIES

### Use of Li-Ion batteries

Battery packs which have not been used for some time should be recharged before use.

Temperatures in excess of 50°C (122°F) reduce the performance of the battery pack. Avoid extended exposure to heat or sunshine (risk of overheating).

The contacts of chargers and battery packs must be kept clean.

For an optimum life-time, the battery packs have to be fully charged, after used.

To obtain the longest possible battery life remove the battery pack from the charger once it is fully charged.

For battery pack storage longer than 30 days:

Store the battery pack where the temperature is below 27°C and away from moisture

Store the battery packs in a 30% - 50% charged condition  
Every six months of storage, charge the pack as normal.

### Battery protection for Li-Ion Akkus

In extremely high torque, binding, stalling and short circuit situations that cause high current draw, the tool will vibrate for about 5 seconds, the fuel gauge will flash, and then the tool will turn OFF. To reset, release the trigger.

Under extreme circumstances, the internal temperature of the battery pack could raise too much. If this happens, the fuel gauge will flash until the battery pack cooled down. After the lights go off, the work may continue.

### Transport of Lithium Batteries

Lithium-ion batteries are subject to the Dangerous Goods Legislation requirements.

Transportation of those batteries has to be done in accordance with local, national and international provisions and regulations.

- The user can transport the batteries by road without further requirements.
- Commercial transport of Lithium-Ion batteries by third parties is subject to Dangerous Goods regulations. Transport preparation and transport are exclusively to be carried out by appropriately trained persons and the process has to be accompanied by corresponding experts.

When transporting batteries:

- Ensure that battery contact terminals are protected and insulated to prevent short circuit.
- Ensure that battery pack is secured against movement within packaging.
- Do not transport batteries that are cracked or leak.

Check with forwarding company for further advice.

## TRANSPORTATION AND STORAGE

- Remove the battery pack.
- Ensure that all parts are clean and dry.
- Clean all foreign materials from the product.
- Drain all spray materials from the spray tank before storage and transportation.
- After each use, check all parts of the product for leaks. Return the product to an authorised service center for repair, if it has any.
- The spray wand can be stored in the cradle.
- For transportation, secure the product against movement or falling to prevent injury to persons or damage to the product.
- Store the product in a cool, dry and well-ventilated place that is inaccessible to children. Keep away from corrosive agents such as garden chemicals and de-icing salts. Do not store outdoors.

## CLEANING THE TANK

1. Ensure the battery is removed
2. Remove the tank from the base and set on a level surface away from the base to prevent exposing the base to harsh chemicals.
3. Fill the tank about one-third full with clean water
4. Install the tank and spray the water until the tank has been emptied. Make sure to direct the spray toward an area that will not be damaged by residue chemicals in the tank.
5. Repeat the procedure with clean water until the tank is thoroughly clean. Wash outside of nozzles and dry with cloth.
6. Wipe the outside of the tank with a clean, dry cloth.
7. Allow all pieces to completely dry before reinstalling parts and storing the unit. Always reinsert strainer before replacing tank cap.

## MAINTENANCE

Service requires extreme care and knowledge and should be performed only by a qualified service technician. For service we suggest you return the product to an authorized service center for repair. When servicing, use only identical replacement parts.

Only make adjustments or repairs described in this manual. For other repairs, contact an authorised service centre.

After each use, clean the product as prescribed in this manual.

Drain and empty the spray tank before cleaning.

Drain the spray materials through the fill area.

Drain all of the spray materials from the spray tank into a container approved for chemicals. Do not store chemicals in the spray tank.

Use clean water to clean and rinse the spray tank. A small amount of mild household detergent may be added.

Wipe the product with a clean, dry cloth.

It may be necessary to rinse the spray tank more than once.

Never dispose residual chemicals or contaminated rinsing solutions in waterways, drains, sewers, street gutters, or manholes.

Dispose residual chemicals and used containers in accordance with local waste disposal regulations.

## ACCESSORIES

Use only Milwaukee accessories and spare parts. Should components need to be replaced which have not been described, please contact one of our Milwaukee service agents (see our list of guarantee/service addresses).

If needed, an exploded view of the tool can be ordered. Please state the machine type printed as well as the six-digit No. on the label and order the drawing at your local service agents or directly at: Techtronic Industries GmbH, Max-Eyth-Straße 10, 71364 Winnenden, Germany.

## BLOCKED NOZZLES

If the nozzles are blocked, immediately turn off the sprayer.

Ensure the battery is removed.

**Wear protective clothing such as gloves and eye protection.**














Disassemble the nozzles and clean with clear water. Replace defective filters.

## TROUBLESHOOTING

PROBLEM	POSSIBLE CAUSE	SOLUTION
Low pressure	Not enough battery charge	Charge the battery
No pressure	Not enough battery charge	Charge the battery
Leaky	Connections are not connected properly, gaskets porous	Retighten connecting elements, replace sealing elements
Motor is not running	Battery empty or defective	Recharge or replace the battery
No spray	Spray nozzles are blocked	Clean with compressed air or a suitable solvent. If screens or spray heads are damaged, they should be replaced.

## SYMBOLS

	Please read the instructions carefully before starting the machine.
	CAUTION! WARNING! DANGER!
	Remove the battery pack before starting any work on the machine.
	Always wear eye protection!
	Wear a suitable dust protection mask.
	Use protective clothing
	Wear gloves!
	Wear sturdy non-slip shoes!
	Do not expose battery to rain. Do not use battery in damp or wet locations.
	Do not spray flammable liquids
	Do not spray at people or animals!
	Do not spray at a wall!
	Do not spray against the wind!

	Do not point the nozzle upwards! Only spray downwards!
	Store cleaned components dry and frost-free.
	Keep bystanders a safe distance away from work area!
	Hazardous chemicals
	Note the current tank content
	Applicable chemical substances
	Do not dispose of waste batteries, waste electrical and electronic equipment as unsorted municipal waste. Waste batteries and waste electrical and electronic equipment must be collected separately. Waste batteries, waste accumulators and light sources have to be removed from equipment. Check with your local authority or retailer for recycling advice and collection point. According to local regulations retailers may have an obligation to take back waste batteries and Waste electrical and electronic equipment free of charge. Your contribution to re-use and recycling of waste batteries and waste electrical and electronic equipment helps to reduce the demand of raw materials. Waste batteries, in particular containing lithium and waste Electrical and electronic equipment contain valuable, recyclable materials, which can adversely impact the environment and the human health, if not disposed of in an environmentally compatible manner. Delete personnel data from waste equipment, if any.
	Voltage
	Direct Current
	European Conformity Mark
	British Conformity Mark
	Ukraine Conformity Mark
	EurAsian Conformity Mark

## EC DECLARATION OF CONFORMITY

We declare as the manufacturer under our sole responsibility that the product described under "Technical Data" fulfills all the relevant regulations and directives listed below and that the following harmonized standards have been used.

2011/65/EU (RoHS)  
2009/127/EC  
2006/42/EC

EN 62841-1:2015+A11:2022  
EN ISO 19932-1:2013  
EN ISO 12100:2010  
EN IEC 55014-1:2021  
EN IEC 55014-2:2021  
EN IEC 63000:2018

Winnenden, 2022-11-25



Alexander Krug  
Managing Director



Authorized to compile the technical file

Techtronic Industries GmbH  
Max-Eyth-Straße 10  
71364 Winnenden  
Germany

## GB-DECLARATION OF CONFORMITY

We declare as the manufacturer under our sole responsibility that the product described under "Technical Data" fulfills all the listed below relevant regulations and that the following designated standards have been used.

S.I. 2008/1597 (as amended)  
S.I. 2009/127 (as amended)  
S.I. 2012/3032 (as amended)

BS EN 62841-1:2015+A11:2022  
BS EN ISO 19932-1:2013  
BS EN ISO 12100:2010  
BS EN IEC 55014-1:2021  
BS EN IEC 55014-2:2021  
BS EN IEC 63000:2018

Winnenden, 2022-11-25



Alexander Krug  
Managing Director

Techtronic Industries GmbH  
Max-Eyth-Straße 10  
71364 Winnenden  
Germany

Authorized to compile the technical file:

Techtronic Industries (UK) Ltd  
Parkway  
Marlow SL7 1YL  
UK



Copyright 2022

Techtronic Industries GmbH  
Max-Eyth-Str. 10  
71364 Winnenden  
Germany

+49 (0) 7195-12-0

[www.milwaukeeetool.eu](http://www.milwaukeeetool.eu)

Techtronic Industries (UK) Ltd  
Parkway  
Marlow SL7 1YL  
UK

(11.22)

**4100 4706 84**