

# RYOBI®

RPW110B

ORIGINAL INSTRUCTIONS

# High Pressure Cleaner



## **Important!**

It is essential that you read the instructions in this manual before assembling, maintaining, and operating the product.

Subject to technical modification.

Safety, performance, and dependability have been given top priority in the design of your electric high pressure cleaner.

### INTENDED USE

The electric high pressure cleaner is only intended for use outdoors. For safety reasons the product must be adequately controlled by using two-handed operation.

The product is designed for home or domestic use. It is intended to clean machines, vehicles, buildings, floors, tools, facades, terraces, floors, and concrete walkways by removal of stubborn dirt using clean water with or without cleaning detergent.

The product can be used with turbo nozzle, spray nozzle, wash brush, and surface cleaner. The turbo nozzle is used for normal cleaning. The spray nozzle is used for cleaning surfaces that require spraying or with the use of detergent. The wash brush is used for effective cleaning of cars, bikes, or other items that require spraying or with the use of detergent. The surface cleaner is used for cleaning and brushing surfaces.

It should be used in well-illuminated conditions. Do not use the product for any other purpose.

### ⚠ WARNING

The product is designed for use with a neutral cleaning agent supplied or recommended by the manufacturer. The use of other cleaning agents or chemicals may adversely affect the safety of the product.

### GENERAL SAFETY WARNINGS

### ⚠ WARNING

**Read all safety warnings and all instructions.** Failure to follow the warnings and instructions may result in electric shock, fire, and/or serious injury.

### ⚠ CAUTION

The product must not be used on the drinking water supply without a backflow preventer being installed that corresponds to EN 12729 Type BA. Water flowing through a backflow preventer is considered non-drinkable. Always observe the regulations of your local water utility company when connecting the product to a water supply line.

- The product is not intended for use by children or persons with reduced physical, sensory, or mental capabilities, or lack of experience and knowledge. Children should be adequately supervised to ensure they do not play with the product.
- Wear a complete personal protective equipment when operating the product, such as boots, safety gloves, safety helmets with visor, and hearing protection. Use high-impact visors only with liquid splash protection.

### ⚠ WARNING

Do not use the product when people are within range, unless they wear protective clothing.

- To reduce the risk of injury, keep children and visitors away. All visitors should wear safety glasses and be kept at a safe distance from the work area.
- Inspect the safety devices, such as safety valves, flow switches, and pressure switches to check if they are in good working condition. Make sure all safety devices are operating properly before each use, such as:
  - On/off switch
    - The on/off switch prevents unintentional operation of the product.
  - Trigger handle lock
    - The trigger handle lock locks the trigger and prevents unintentional opening of the high-pressure jet.
  - Overflow valve with pressure switch
    - The overflow valve prevents the permissible working pressure from being exceeded. If the lever on the trigger gun is released, the pressure switch turns off the pump and the

high-pressure jet stops. If the lever is pulled, the pump turns on again.

- Overload protection
  - A thermal sensor protects the product from overloading. The product will automatically shut the power down while overheating.
- Do not use the product if the important parts are damaged, such as safety devices, high-pressure hoses, or trigger gun.
- Exercise caution when opening the trigger. Hold the handle firmly with two hands to avoid injury when the handle kicks back.

#### **⚠ WARNING**

During use of high pressure cleaners, aerosols may be formed. Inhalation of aerosols can be hazardous to health.

#### **⚠ WARNING**

Depending on the application, shielded nozzles can be used for high-pressure cleaning, which will reduce the emission of hydrous aerosols. However, not all applications allow the use of such a device. If shielded nozzles are not applicable for the protection against aerosols, a respiratory mask of class FFP 2 or equivalent may be needed, depending on the cleaning environment.

- Always stop the product when you leave it unattended.
- High-pressure jet is dangerous if misused. Do not direct the jet to people, live electrical equipment, or the product itself.
- To avoid a risk of explosion, do not spray flammable liquids.
- Do not direct the jet against yourself or others in order to clean clothes or footwear.
- Do not use the product to clean electronic devices, clothes, or footwear.
- High-pressure hoses, fittings, and couplings are important for the safety of the product. Use only hoses, fittings, and couplings recommended by the manufacturer.

#### **ELECTRICAL SAFETY WARNINGS**

- The plug must match the outlet. Never modify the plug in any way. Unmodified plugs and matching outlets reduces the risk of electric shock.

- Do not use the product if the power cord or other important parts, such as safety devices, are damaged.
- Check the power cord and the extension cord for damage before each use. If the power cord or the extension cord is damaged, it must be replaced by the manufacturer, its service agent, or similarly qualified persons in order to avoid a hazard.
- Keep the power cord away from heat, oil, and sharp edges.
- Never touch the mains plug and the socket with wet hands.
- Inadequate extension cords can be dangerous. If an extension cord is used, it shall be suitable for outdoor use, and the connection has to be kept dry and off the ground. Use a cord wheel to keep the socket at least 60 mm above the ground.
- The electric supply connection must be made by a qualified electrician and must comply with IEC 60364-1. It is recommended that the electric supply to the product should include either a residual current device that interrupts the supply if the leakage current to earth exceeds 30 mA for 30 ms or a device that proves the earth circuit.

#### **ADDITIONAL SAFETY WARNINGS**

- Some regions have regulations that restrict the use of the product in some operations. Check with your local authority for advice.
- Before each use, check for damage. A damaged high-pressure hose must be replaced immediately. Ensure all connections, such as high-pressure hose and nozzle, are secure. Unwind the hose properly so they may not get twisted or kinked.
- Do not allow children or untrained individuals to use the product.
- Before starting any cleaning operation, close doors and windows. Clear the area to be cleaned of debris, toys, outdoor furniture, or other objects that could create a hazard.
- Never pick up or carry the product while the motor is running.
- Do not use the product in temperatures below 0°C.
- Do not use acids, alkalines, solvents,

flammable material, bleaches, or industrial grade solutions in the product. These products can cause physical injuries to the operator and irreversible damage to the product.

- Always operate the product on a level surface.

#### **⚠ WARNING**

High-pressure jet can be dangerous if subject to misuse. The jet must not be directed to people, animals, electrical devices, or the product itself.

- Hold the trigger handle securely with both hands. Expect the handle to move when the trigger is pulled due to reaction forces. Failure to do so could cause loss of control and injury to yourself and others.
- Make sure the air in the hose and pump is released before you turn on the product. To remove the air in the hose and pump, connect the water supply to the pump using a garden hose, connect the trigger handle to pump using the high-pressure hose, disengage the trigger handle lock, and press the trigger until there is a steady flow.
- Exercise caution to avoid slipping or falling.
- Keep firm footing and balance. Do not overreach. Overreaching can result in loss of balance.
- Only use accessories that are recommended by the manufacturer. The use of improper accessories may cause injury.
- Never leave the product running unattended. Turn the product off. Do not leave the product until it comes to a complete stop.
- Be familiar with the controls. Know how to stop the product and bleed the pressure quickly.
- Stay alert and exercise control. Watch what you are doing and use common sense.
- Do not use the product when you are tired, ill, or under the influence of drugs, alcohol, or medication. A moment of inattention while operating the product may result in serious personal injury.
- Do not use the product if the switch does not turn it on and off. Any product that cannot

be controlled with a switch is dangerous and must be repaired.

- Keep a minimum distance of 30 cm when cleaning vehicles. The high-pressure jet may damage or burst vehicle tires and/or tire valves.
- Use a garden hose with a maximum length of 15 m and minimum diameter of 18 mm (3/4 in.).
- Before each use, ensure that the accessory is securely attached to the trigger gun.

#### **OVERLOAD PROTECTION**

The product has an overload protection device that is activated when overheating or when a current spike occurs, automatically shutting down power within the product. To resume operation, disconnect the product from the power supply, wait for about 15 minutes, and reconnect the product to the power supply.

#### **TRANSPORTATION AND STORAGE**

##### **⚠ CAUTION**

Mind the weight of the product when selecting the storage location and during transportation to prevent accidents or injuries.

- Stop the product, disconnect from the power supply, and allow the product to cool down. Disconnect the product from the water supply before storing or transporting. Never place the product in any position other than upright.
- Remove water from all hoses and the pump, and empty the detergent tank before storing the product.
- Clean all foreign materials from the product. Store it in a cool, frost-free, dry, and well-ventilated place that is inaccessible to children. Keep away from corrosive agents such as garden chemicals and de-icing salts. Do not store outdoors.
- For transportation in a vehicle, secure the product against movement or falling to prevent injury to persons or damage to the product.

##### **⚠ WARNING**

Only store the product indoor. Storing in an area with temperature below 0°C will damage the product.

## MAINTENANCE

### **⚠ WARNING**

Use only original manufacturer's replacement parts, accessories, and attachments. Failure to do so can cause possible injury and poor performance, and may void your warranty.

### **⚠ WARNING**

Servicing requires extreme care and knowledge and should be performed only by a qualified service technician. For service, bring the product to an authorised service centre. When servicing, use only original replacement parts.

- Stop the product, disconnect from the power supply, and allow the product to cool down. Disconnect the product from the water supply before:
  - cleaning the product
  - maintaining the product
  - replacing spare parts
- You may make adjustments or repairs described in this manual. For other repairs, contact an authorised service centre.
- Regularly inspect and maintain the high pressure cleaner for safe operation. RYOBI recommends inspecting the product every 6 months.
- Check all nuts, bolts, and screws at frequent intervals for proper tightness to ensure the product is in safe working condition. Any part that is damaged should be properly repaired or replaced by an authorised service centre.

## RESIDUAL RISKS

Even when the product is used as prescribed, it is still impossible to completely eliminate certain residual risk factors. The following hazards may arise in use and the operator should pay special attention to avoid the following:

- Injury caused by the high-pressure jet
  - Avoid pointing the high-pressure jet to people, animals, and to yourself.
- Injury caused by kickback
  - Always hold the handle or the trigger wand firmly with your two hands.

- Injury caused by inhalation of aerosols
  - Wear appropriate respiratory mask.
- Injury caused by exposure to noise
  - Wear ear protection.

## RISK REDUCTION

It has been reported that vibrations from handheld tools may contribute to a condition called Raynaud's Syndrome. Symptoms may include tingling, numbness, and blanching of the fingers, usually apparent upon exposure to cold. Hereditary factors, exposure to cold and dampness, diet, smoking, and work practices are all thought to contribute to the development of these symptoms. There are measures that can be taken by the operator to possibly reduce the effects of vibration:

- Keep your body warm in cold weather. When operating the product, wear gloves to keep the hands and wrists warm.
- After each period of operation, exercise to increase blood circulation.
- Take frequent work breaks. Limit the amount of exposure per day.

If you experience any of the symptoms of this condition, immediately discontinue use and see your physician.

### **⚠ WARNING**

Injuries may be caused, or aggravated, by prolonged use of a tool. When using any tool for prolonged periods, ensure you take regular breaks.

## KNOW YOUR PRODUCT

See page 7.

1. Trigger handle lock
2. Trigger
3. Handle
4. Power switch
5. Power cord holder
6. Power cord
7. Water outlet
8. High pressure hose
9. Turbo nozzle wand
10. Spray nozzle wand
11. Soap bottle
12. Water inlet coupler with filter
13. Water inlet
14. Extended wand
15. Trigger handle holder

- 16. Trigger gun
- 17. Trigger gun inlet

\* Compatible adaptor for KÄRCHER pressure cleaner accessories. KÄRCHER is a registered trademark of Alfred Kärcher GmbH & Co. KG.

**NOTE:** Check the specification of the accessory part if it matches the specifications of the RYBOI high pressure cleaner.

**NOTE:** If using detergent, refer to the Material Safety Data Sheet of the detergent.



Ukrainian mark of conformity



The guaranteed sound power level is 92 dB.



Waste electrical products should not be disposed of with household waste. Please recycle where facilities exist. Check with your local authority or retailer for recycling advice.

### SYMBOLS ON THE PRODUCT



Warning



Class II tool, double insulation



To reduce the risk of injury, user must read and understand operator's manual before using this product.



Wear eye and hearing protection.



Remove plug from the mains immediately if cable is damaged or cut.



Electrical shock hazard



The product is not suitable for connection to the drinking water mains without backflow preventer.



Never point the spray wand to people, animals, the body of the product, power supply, or any electric appliances.



Burst hazard



Conforms to all regulatory standards in the country in the EU where the product is purchased.



EurAsian Conformity Mark

### SYMBOLS IN THIS MANUAL



Wear non-slip, heavy-duty, protective gloves when handling.



Parts or accessories sold separately



Note



Warning

The following signal words and meanings are intended to explain the levels of risk associated with this product.

#### ⚠ DANGER

Indicates an imminently hazardous situation, which, if not avoided, will result in death or serious injury.

#### ⚠ WARNING

Indicates a potentially hazardous situation, which, if not avoided, could result in death or serious injury.

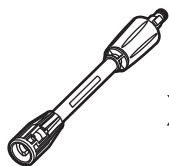
#### ⚠ CAUTION

Indicates a potentially hazardous situation, which, if not avoided, may result in minor or moderate injury.

#### CAUTION

Without safety alert symbol

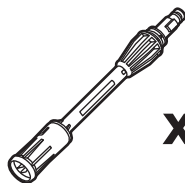
Indicates a situation that may result in property damage.



x 1



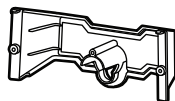
x 1



x 1



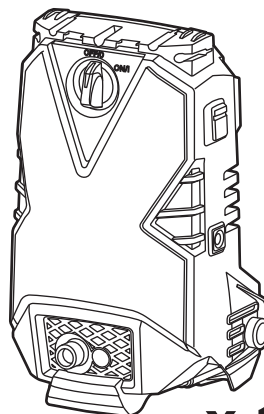
x 1



x 1



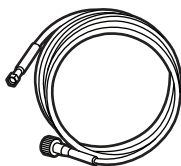
x 1



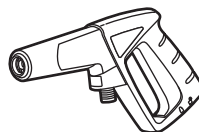
x 1



x 1



x 1



x 1



x 2



x 2



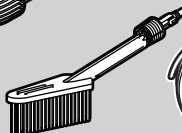
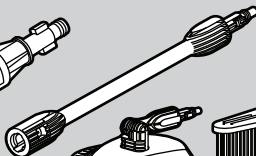
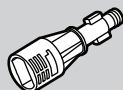
x 1



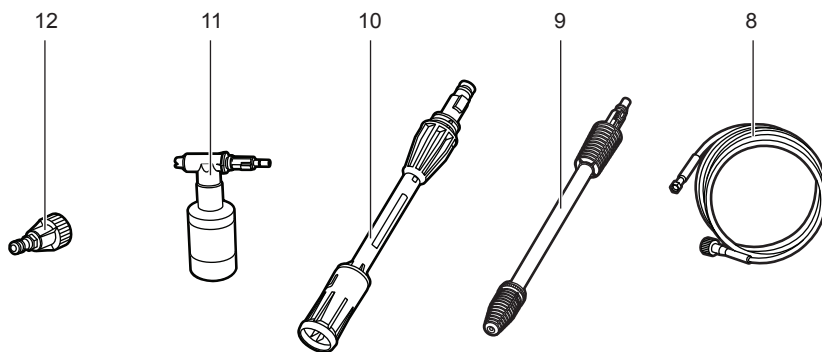
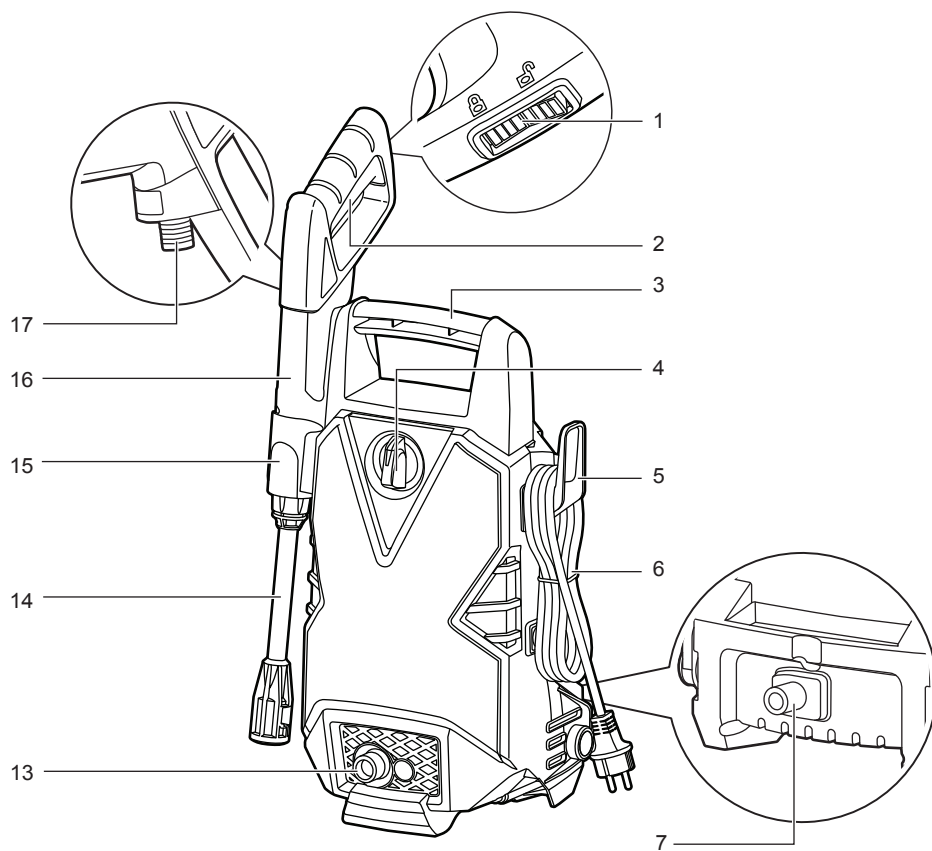
x 1

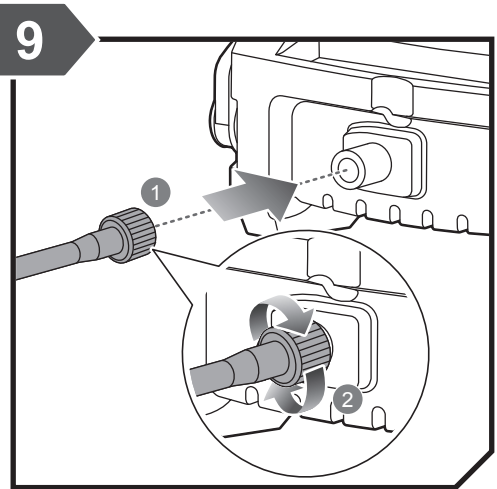
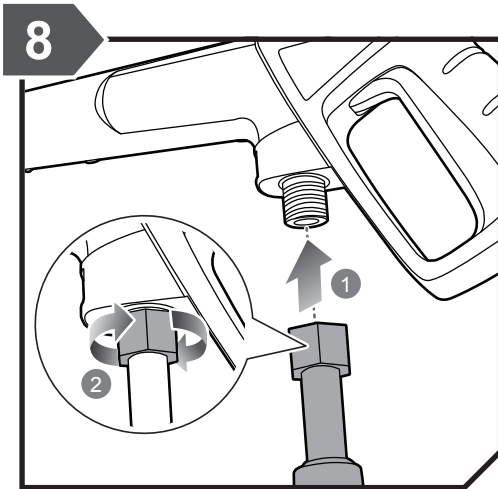
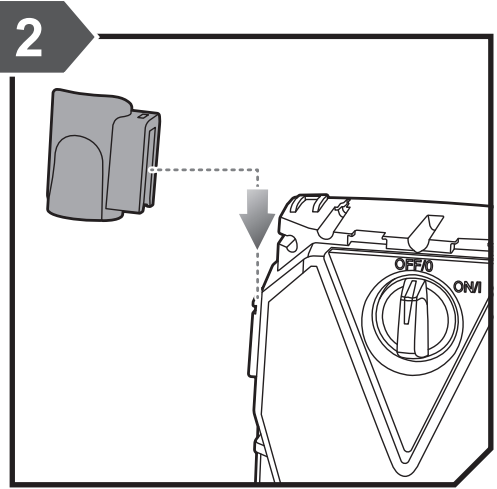
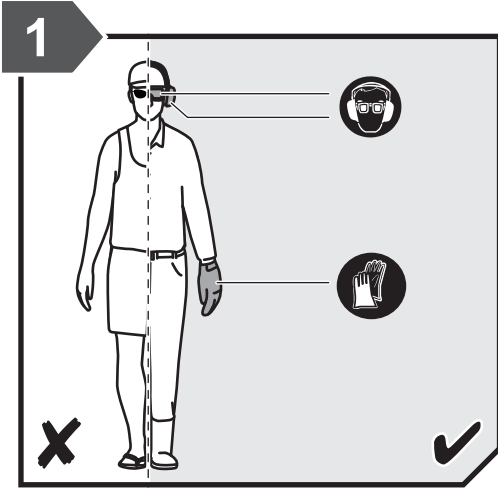


x 1



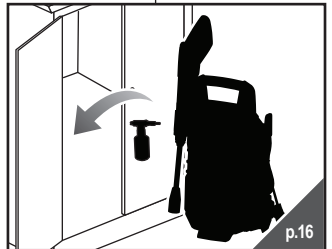
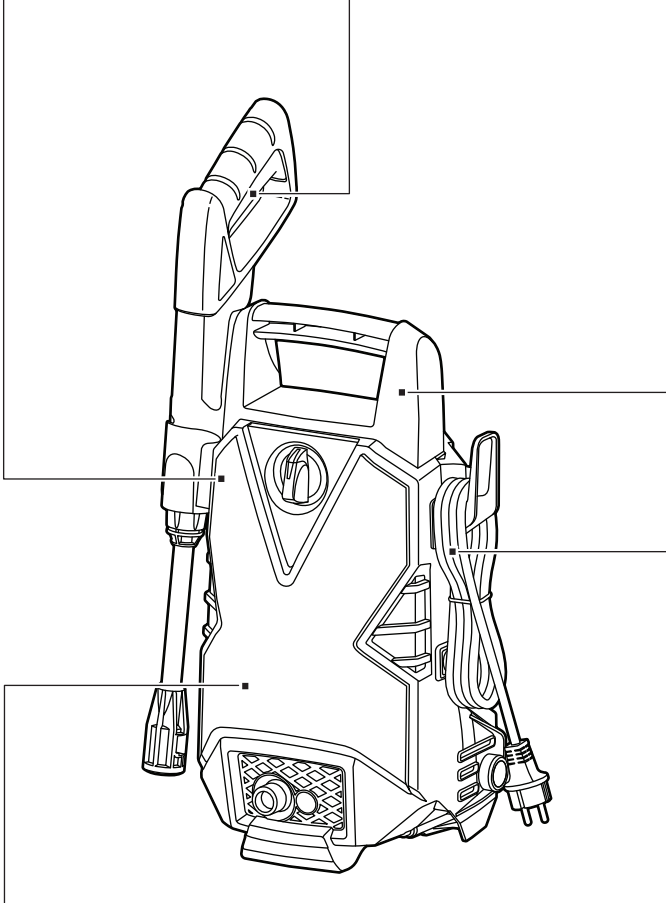
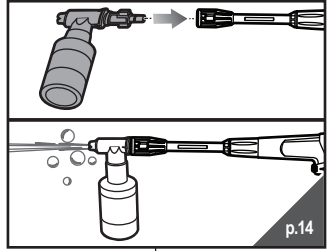
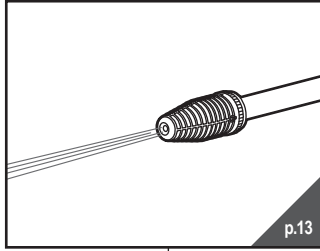
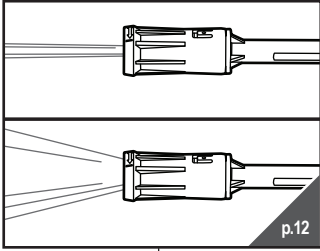


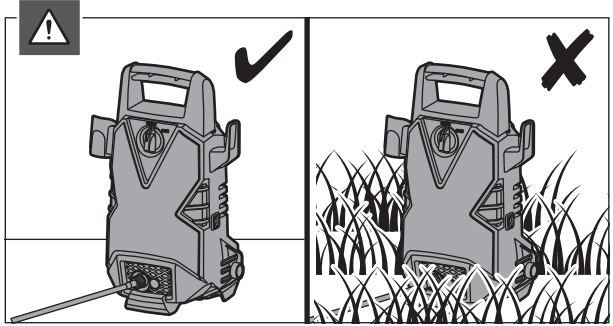
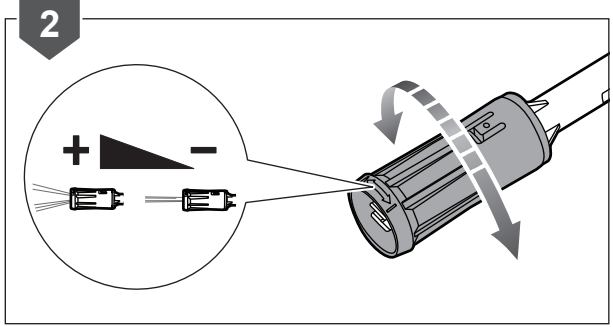
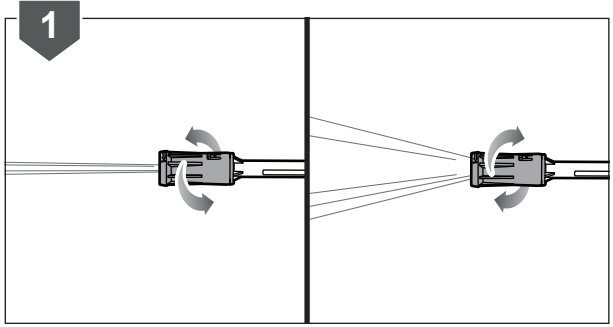
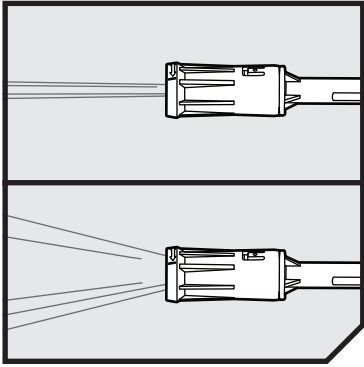


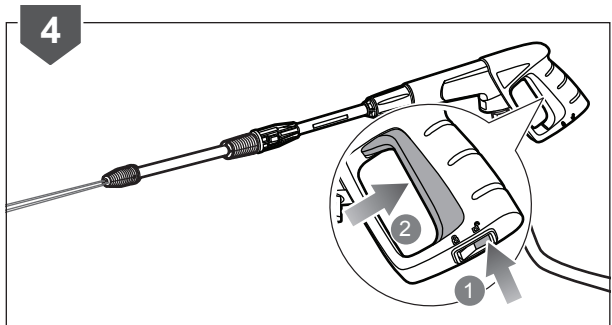
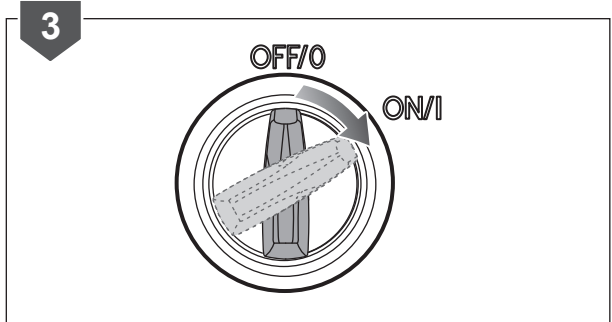
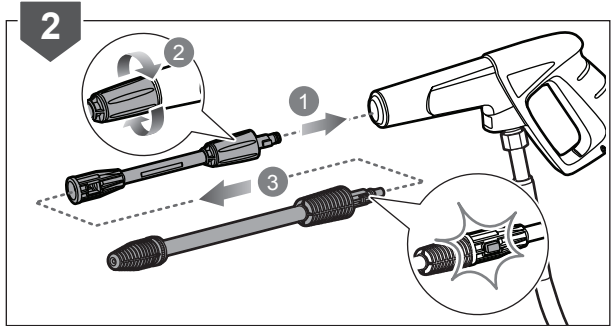
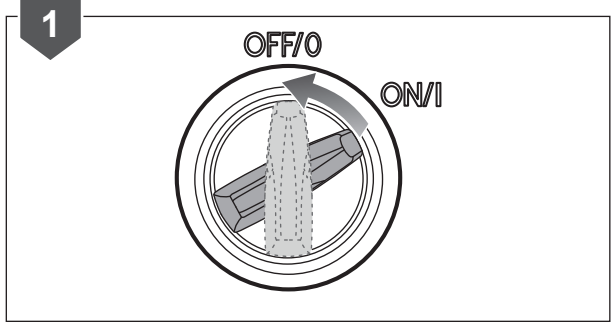
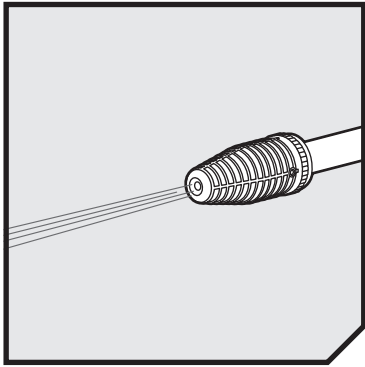


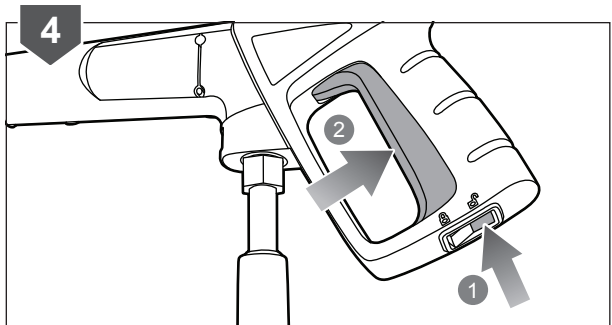
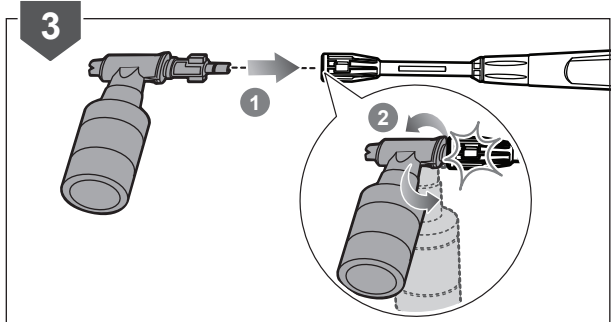
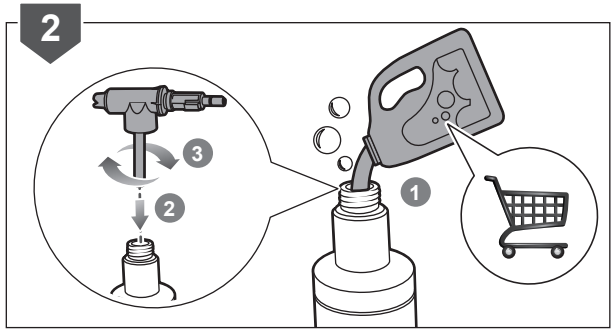
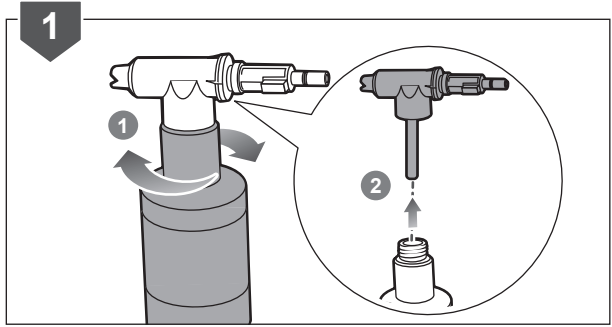
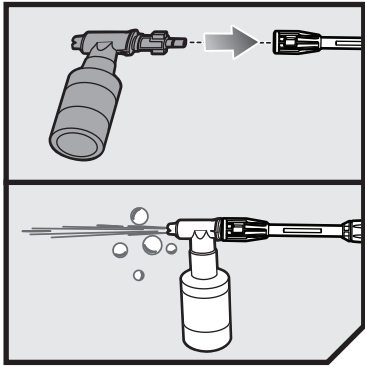




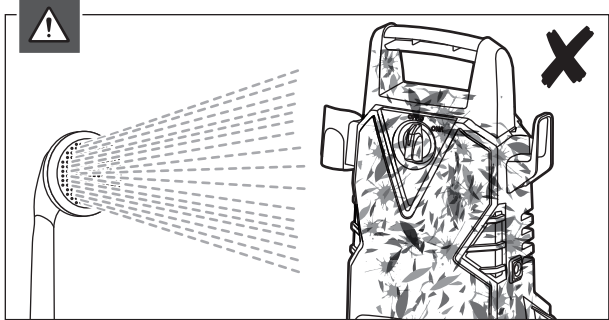
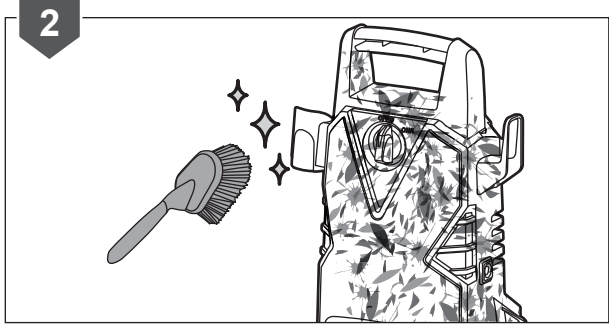
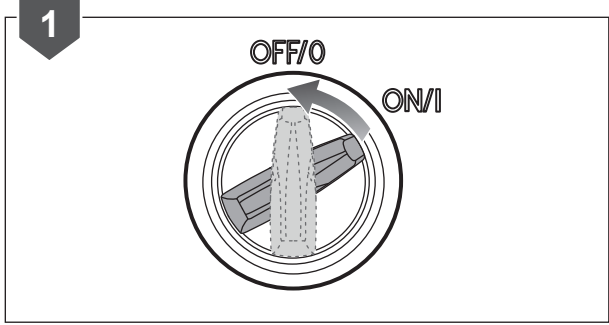


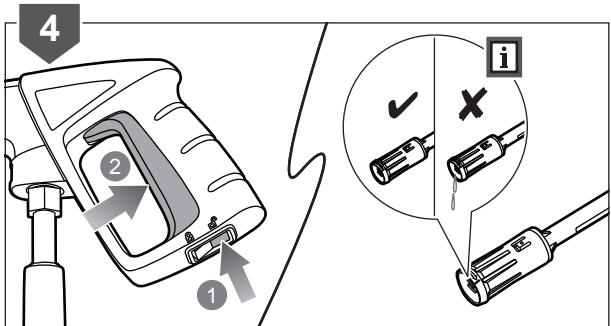
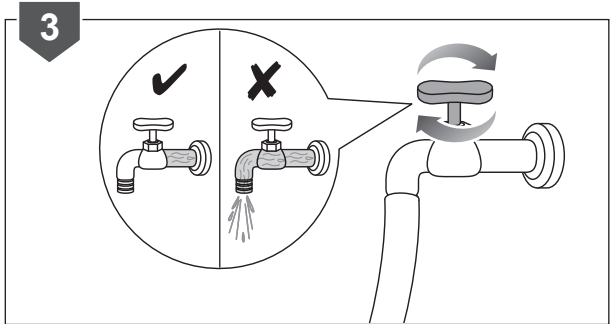
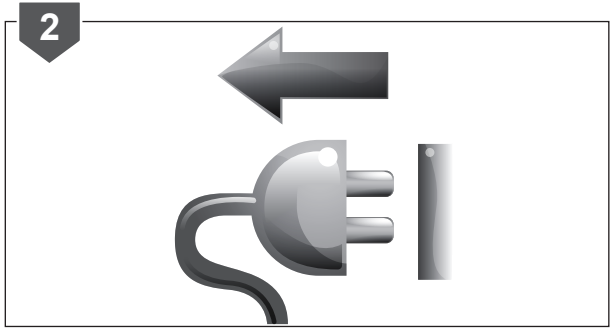
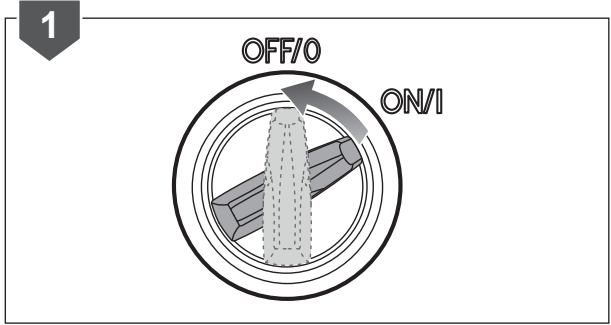
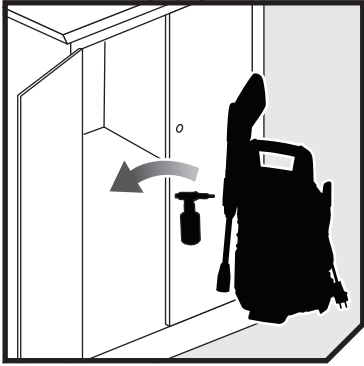


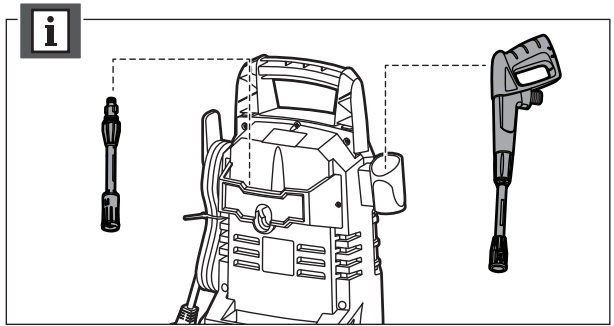
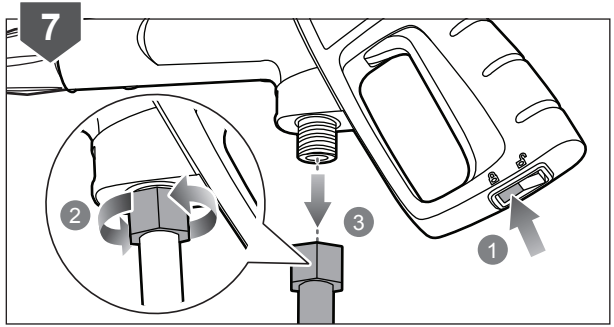
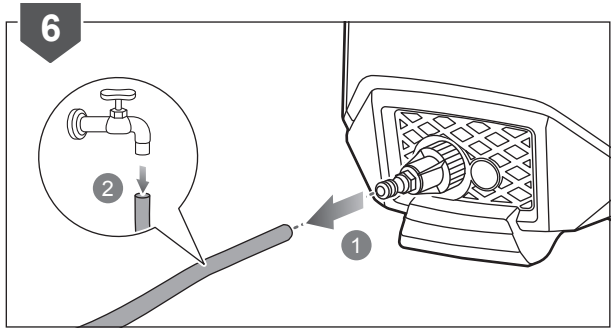
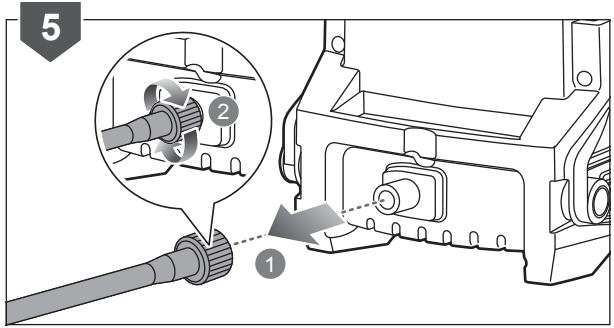


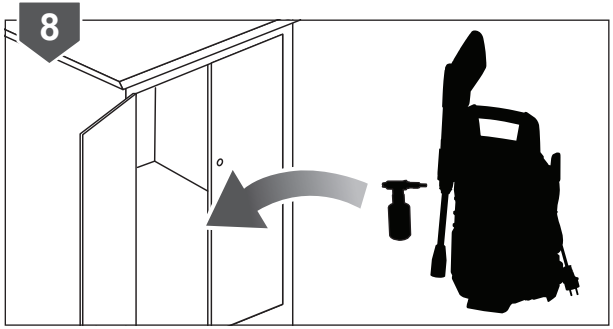












## TROUBLESHOOTING

Problem	Possible causes	Solution
Product refuses to start	Product not plugged in	Plug in product.
	Defective socket	Try another socket.
	Defective extension cable	Try without the extension cable.
Fluctuating pressure	Pump sucking air	Check that hoses and connections are air tight.
	Valves dirty, worn out or stuck	Bring the product to an authorized service centre for service or repair.
	Pump seals worn out	Bring the product to an authorized service centre for service or repair.
Product stops	Fuse has blown	Bring the product to an authorized service centre for service or repair.
	Incorrect mains voltage	Check that the mains voltage corresponds to specification on the model tag.
	Thermal sensor activated	Leave the cleaner for 15 minutes to cool down.
	Nozzle partially blocked	Clean the nozzle.
Product pulsating	Air in inlet hose/pump	Allow the product to run with open trigger until regular working pressure resumes.
	Inadequate supply of mains water	Check that the water supply corresponds to the specifications required (see model tag). Avoid using long, thin hoses.
	Nozzle partially blocked	Clean the nozzle.
	Water filter blocked	Clean the filter.
	Hose kinked	Straighten out hose.
Product often starts and stops by itself	Pump/spray handle is leaking	Bring the product to an authorized service centre for service or repair.
Product starts, but no water comes out	Pump/hoses or accessory frozen	Wait for pump/hoses or accessory to thaw.
	No water supply	Connect the water inlet port to a water supply.
	Water filter blocked	Clean the filter.
	Nozzle blocked	Clean the nozzle.
No detergent	Nozzle adjusted to high pressure	Adjust to low pressure.
	Tank is empty.	Fill the tank.

## PRODUCT SPECIFICATIONS

Electric high pressure cleaner

Model	RPW110B
Rated voltage	220 - 240 V
Frequency	50 Hz
Power	1 500 W
Maximum pressure	11 MPa (110 bar)
Rated pressure	8 MPa (80 bar)
Degree of protection	IPX5
Rated flow	5.6 L/min
Max. flow	6.0 L/min
Max. inlet water pressure	0.7 MPa (7 bar)
Detergent tank	0.35 L
Power cord length	5 m
Sound pressure level ( $L_{PA}$ ) (in accordance with EN 60335-2-79)	75.9 dB(A)
Uncertainty	1.0 dB
Sound power level ( $L_{WA}$ ) (in accordance with EN 60335-2-79)	90.4 dB(A)
Uncertainty	1.0 dB
Vibration value (in accordance with EN 60335-2-79)	3.2 m/s <sup>2</sup>
Uncertainty	1.5 m/s <sup>2</sup>
Weight	5.1 kg
Maximum garden hose length	15 m
Minimum garden hose diameter	18 mm (3/4 in.)

## REPLACEMENT PART

Trigger gun	5131041333
High-pressure hose	5131041335

## RYOBI® WARRANTY APPLICATION CONDITIONS

In addition to any statutory rights resulting from the purchase, this product is covered by a warranty as stated below.

1. The warranty period is 24 months for consumers and commences on the date the product was purchased. This date has to be documented by an invoice or other proof of purchase. The product is designed and dedicated to consumer and private use only. So there is no warranty provided in case of professional or commercial use. This warranty applies only on new products.
2. There is a possibility to extend for a part of the range of power tools (AC/DC) the warranty period over the period described above using the registration on the [www.ryobitools.eu](http://www.ryobitools.eu) website. The eligibility of products for extended warranty is clearly displayed in stores and / or on packaging and is contained within the product documentation. The end user is required to register his/her newly-acquired products online within 30 days from the date of purchase. The end user may register for the extended warranty in his/her country of residence if listed on the online registration form where this option is valid. Furthermore, end users must give their consent to the storage of their personal data that is required to be entered online. They must also accept the terms and conditions. The registration confirmation receipt, which is sent out by e-mail, and the original invoice showing the date of purchase will serve as proof of the extended warranty.
3. The warranty covers all defects of the product during the warranty period due to faults in workmanship or material at the purchase date. The warranty is limited to repair and/or replacement and does not include any other obligations including but not limited to incidental or consequential damages. The warranty is not valid if the product has been misused, used contrary to the instruction manual, or has been incorrectly connected to a power supply. This warranty does not apply to:
  - any damage to the product that is the result of improper or lack of maintenance
  - any product that has been altered or modified
  - any product where original identification (trade mark, serial number) markings have been defaced, altered or removed
  - any damage caused by non-observance of the instruction manual
  - any product not displaying the CE approval mark on the rating plate
  - any product that has been attempted to be repaired by a non-authorized warranty service centre or without prior authorisation by Techtronic Industries
  - any product connected to an improper power supply (amps, voltage, frequency)
  - any product used with inappropriate fuel mixture (fuel, oil, Ratio of oil / fuel mixture)
  - any damage caused by external influences (water, chemical, physical, shocks) or foreign substances
  - normal wear and tear spare parts
  - inappropriate use, overloading of the tool
  - use of non-approved accessories or parts
  - Accessories provided with the tool or purchased separately including but not limited to blades, saw chains, cutting lines etc.
  - Any periodic adjustments to or maintenance cleaning of carburetors
  - Components (parts and accessories) subject to natural wear and tear, including but not limited to bump knobs, drive belts, clutch, blades of hedge trimmers or lawn mowers, harness, cable throttle, carbon brushes, power cord, tines, felt washers, hitch pins, blower fans, blower and vacuum tubes, vacuum bag and straps, guide bars, saw chains, hoses, connector fittings, spray nozzles, wheels, spray wands, inner reels, outer spools, cutting lines, spark plugs, air filters, gas filters, mulching blades, etc.
4. For servicing, the product must be sent or presented to a RYOBI authorised service station listed for each country in the following list of service station addresses. In some countries your local RYOBI dealer undertakes to send the product to the RYOBI service organisation. When sending a product to a RYOBI service station, the product should be safely packed without any dangerous contents such as petrol, marked with sender's address and accompanied by a short description of the fault.
5. A repair / replacement under this warranty is free of charge. It does not constitute an extension or a new start of the warranty period. Exchanged parts or products become our property. In some countries delivery charges or postage will have to be paid by the sender. Your statutory rights arising from the purchase of the product remain unaffected.
6. This warranty is valid in the European Community, Switzerland, Iceland, Norway, Liechtenstein, Turkey and Russia. Outside these areas, please contact your authorised RYOBI dealer to determine if another warranty applies.

## AUTHORISED SERVICE CENTRES

### **ACD PLANT LTD**

145 Southbank Road  
Coundon  
Coventry, West Midlands  
CV6 1FG  
Phone: 02476 594348  
Email: danmcgunigle@acdplant.co.uk  
Web: www.acdplant.co.uk

### **CBS Power Tools Limited**

Unit 4, V P Square  
Storeys Bar Rd, Fengate  
Peterborough, Cambridgeshire  
PE1 5YS  
Phone: 01733 343031  
Email: steve@cbspowertools.co.uk  
Web: www.cbspowertools.com

### **C D Powertools**

76 Old Road  
Churwell Morley, Leeds  
LS27 7TH  
Phone: 0113 2718494  
Email: info@cdpowertools.co.uk  
Web: www.cdpowertools.co.uk

### **C J Sinclair Limited**

44 Victoria Road  
St Peters  
Broadstairs, Kent  
CT10 2UG  
Phone: 01843 869400  
Email: repairs@cjsinclairltd.co.uk  
Web: www.cjsinclairltd.co.uk

### **Powertech Ind Ltd**

Unit 2C, Ellison Road  
Norwood Ind, Killamarsh  
Sheffield, South Yorkshire  
S21 2JG  
Phone: 01142 474080  
Email: stores@powertech-industrial.co.uk  
Web: www.powertech-industrial.co.uk

### **RYCKO Technical Services LTD**

104 Green Lane  
St Albans, Herts  
AL3 6EX  
Phone: 08458 678790  
Email: info@ryckotechnical.com  
Web: www.ryckotechnical.com

### **ToolTech Industrial Equipment**

227 E Dunhill Road, Macosquin  
Coleraine, Co Londonderry  
BT514LQ  
Phone: 028 70359493  
Email: john@tooltech.org.uk

For an updated list of authorised service centres, visit <http://en.ryobitools.eu/header/service-and-support/service-agents>.



## DECLARATION OF CONFORMITY

Techtronic Industries GmbH  
Max-Eyth-Straße 10, 71364 Winnenden, Germany

*Herewith we declare that the product*

Electric High Pressure Cleaner  
Brand: RYOBI  
Model number: RPW110B  
Serial number range: 46254701000001 - 46254701999999

*is in conformity with the following European Directives and harmonised standards*

2006/42/EC, 2014/30/EU, 2000/14/EC, 2005/88/EC, 2011/65/EU, EN 61000-3-2:2014, EN 61000-3-3:2013,  
EN 60335-1:2012+A11:2014, EN 60335-2-79:2012, EN 62233:2008, EN 55014-1:2006+A1:2009+A2:2011,  
EN 55014-2:2015, EN 50581:2012

Measured sound power level: 90.4 dB(A)

Guaranteed sound power level: 92 dB(A)

Conformity assessment method to Annex V Directive 2000/14/EC amended by 2005/88/EC



Sven Eschrich  
Senior Director of Engineering - TTI Outdoor Power Division  
Winnenden, Dec. 31, 2017



Authorised to compile the technical file:  
Alexander Krug, Managing Director  
Techtronic Industries GmbH  
Max-Eyth-Straße 10, 71364 Winnenden, Germany







**Techtronic Industries GmbH**  
Max-Eyth-Straße 10,  
71364 Winnenden, Germany

099903017001-01